

ASSEMBLY INSTRUCTION



Thank you for purchasing this quality product. Be sure to check all packing material carefully for small parts which may have come loose inside the carton during shipment. Separate, identify and count all parts and hardware. Compare with the parts list to be sure all parts are present.

IMPORTANT : PLEASE READ INSTRUCTION BEFORE STARTING THE ASSEMBLY.

"DO NOT TIGHTEN SCREWS UNTIL COMPLETELY ASSEMBLED"

"DO NOT OVERTIGHT ANY HARDWARE"

WARNING : SMALL PARTS AND HARDWARE NOT FOR CHILDREN UNDER 3 YEARS. ADULT ASSEMBLY REQUIRED.

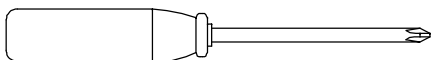
TABLE OF CONTENTS

HARDWARES LIST	PAGE 2 - 3
PARTS LIST	PAGE 3 - 5
PARTS' LOCATION	PAGE 6
ASSEMBLY STEPS	PAGE 7 - 25
ASSEMBLY COMPLETED	PAGE 26
ANTI-TIPPING INSTALLMENT INSTRUCTIONS	PAGE 27
PAY ATTENTION ITEMS	PAGE 28

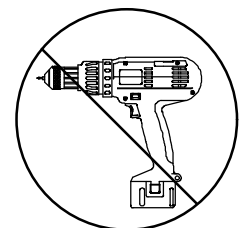
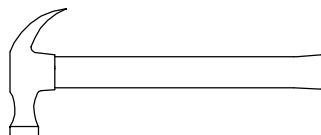
ASSEMBLY TOOLS REQUIRED

Skip the power trip this time.

1. Screwdriver (not provide)




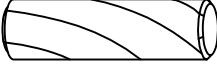
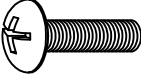
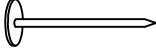
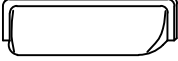
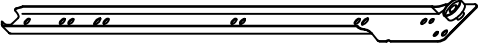
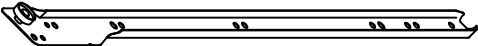


2. Hammer (not provide)




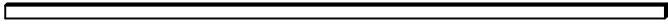
DR ASSEMBLY INSTRUCTION

HARDWARES LIST

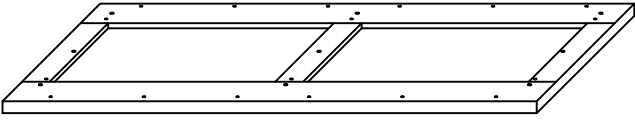
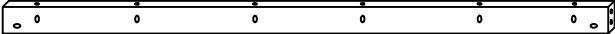
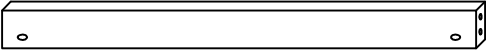
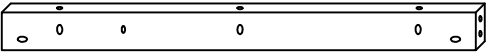
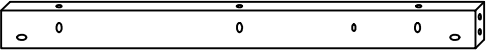
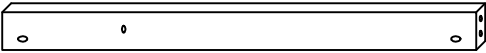
ITEM	DESCRIPTION	DRAWING	QTY
A	MINIFIX CAM LOCK		86 PCS
B	MINIFIX CAM BOLT		86 PCS
C	WOOD DOWEL (M8 x 25MM)		38 PCS
D	WOOD DOWEL (M6 x 25MM)		48 PCS
I	TRUSS M-SCREW (12MM)		12 PCS
J	6/8" NAIL		24 PCS
K	HANDLE		6 PCS
L	LEFT DRAWER SLIDE		6 PCS
M	RIGHT DRAWER SLIDE		6 PCS

DR ASSEMBLY INSTRUCTION

HARDWARES LIST

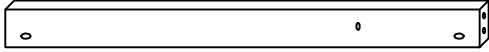
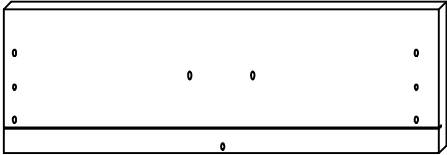
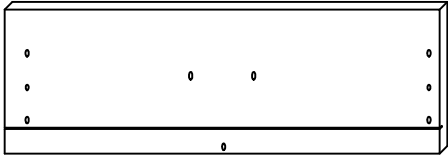
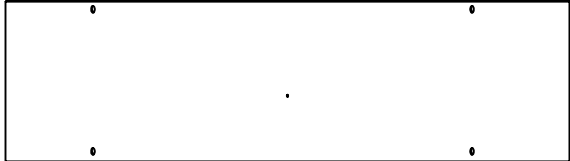

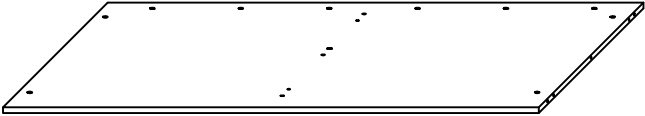
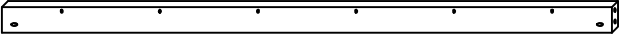
ITEM	DESCRIPTION	DRAWING	QTY
N	CSK SCREW M3 x 10mm		48 PCS
O	PLASTIC STRIP (H SHAPE)		1 PC

PARTS LIST (BOX 1)

ITEM	DESCRIPTION	DRAWING	QTY
D1	TOP PANEL		1 PC
D5	FRONT TOP SUPPORT RAIL		1 PC
D6	FRONT CENTRE SUPPORT RAIL		4 PCS
D7	BACK TOP LEFT SUPPORT RAIL		1 PC
D8	BACK TOP RIGHT SUPPORT RAIL		1 PC
D9	BACK CENTRE LEFT SUPPORT RAIL		1 PC

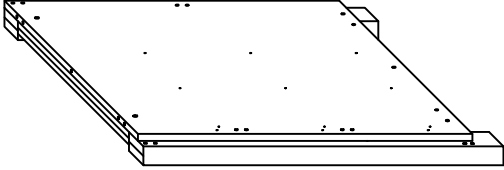
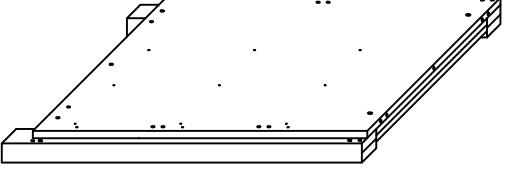
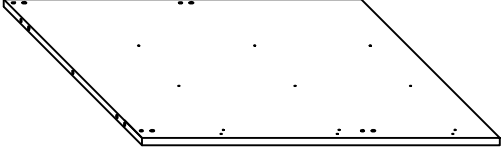
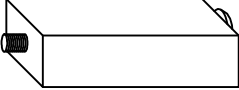


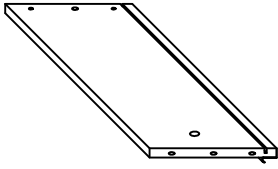
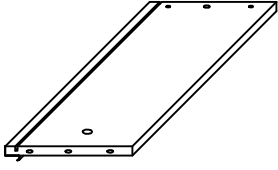
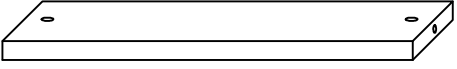
ASSEMBLY INSTRUCTION

PARTS LIST (BOX 1)

ITEM	DESCRIPTION	DRAWING	QTY
D10	BACK CENTRE RIGHT SUPPORT RAIL		1 PC
D14	LEFT DRAWER HEAD		3 PCS
D15	RIGHT DRAWER HEAD		3 PCS
D18A	UPPER BACK PANEL		1 PC
D18B	LOWER BACK PANEL		1 PC
D19	BOTTOM PANEL		1 PC
D20	BOTTOM SUPPORT RAIL		1 PC

ASSEMBLY INSTRUCTION

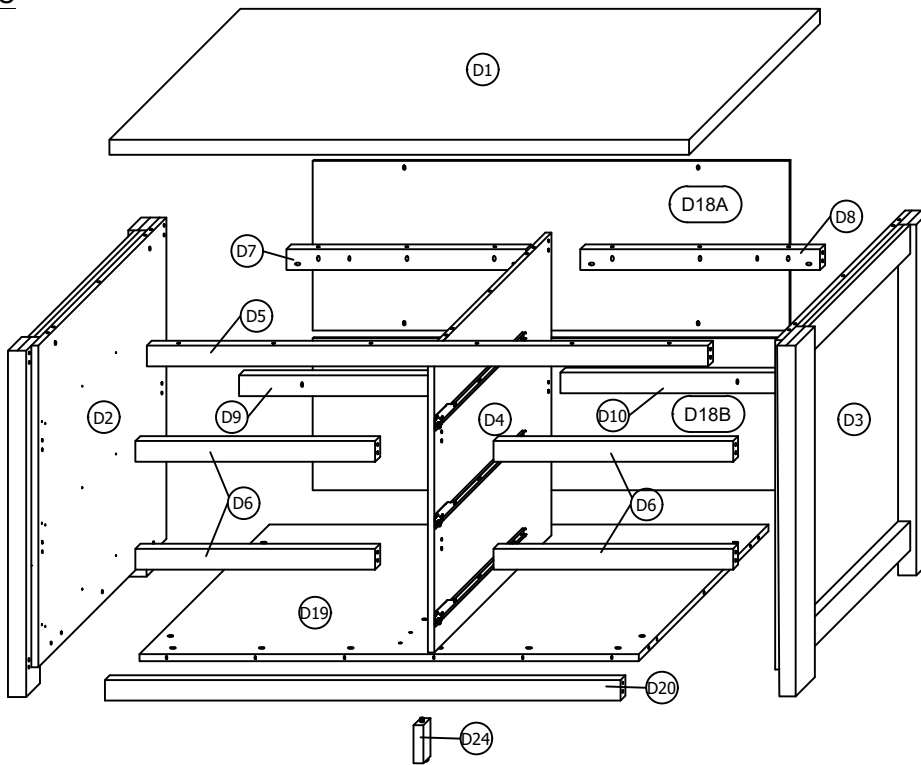
PARTS LIST (BOX 2)

ITEM	DESCRIPTION	DRAWING	QTY
D2	LEFT PANEL		1 PC
D3	RIGHT PANEL		1 PC
D4	CENTRE PANEL		1 PC
D24	CENTRE SUPPORT LEG		1 PC
D16	DRAWER BACK PANEL		6 PCS
D17	DRAWER BOTTOM PANEL		6 PCS
19	DRAWER LEFT PANEL		6 PCS
20	DRAWER RIGHT PANEL		6 PCS
21	DRAWER BOTTOM SUPPORT RAIL		6 PCS

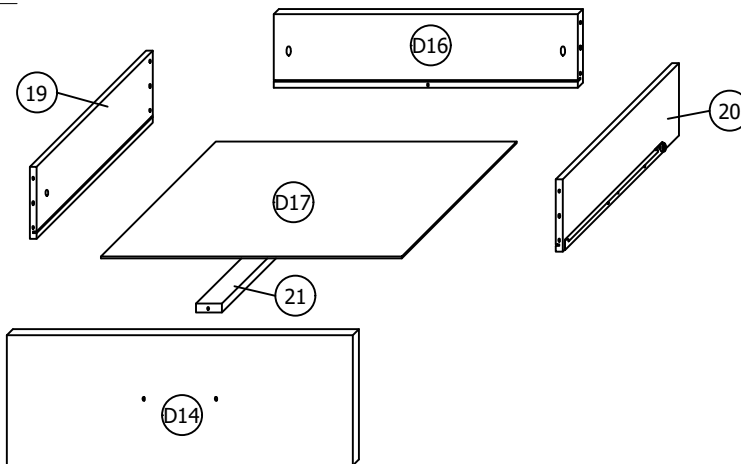
ASSEMBLY INSTRUCTION

PARTS ' LOCATION

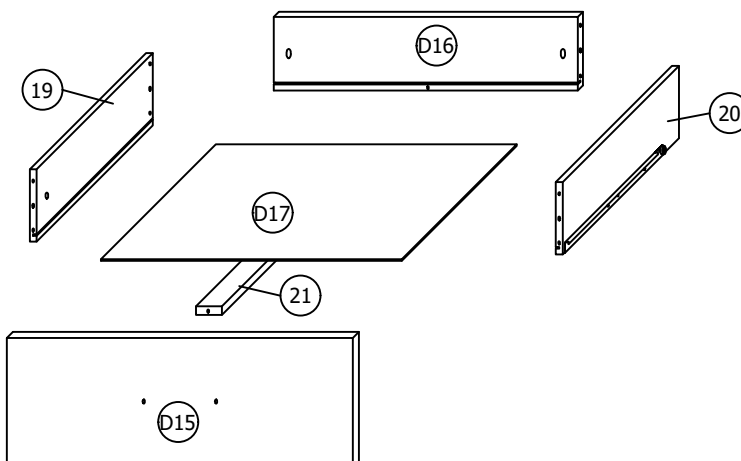
DRESSER x 1 PC



LEFT SIDE DRAWER x 3 PCS



RIGHT SIDE DRAWER x 3 PCS

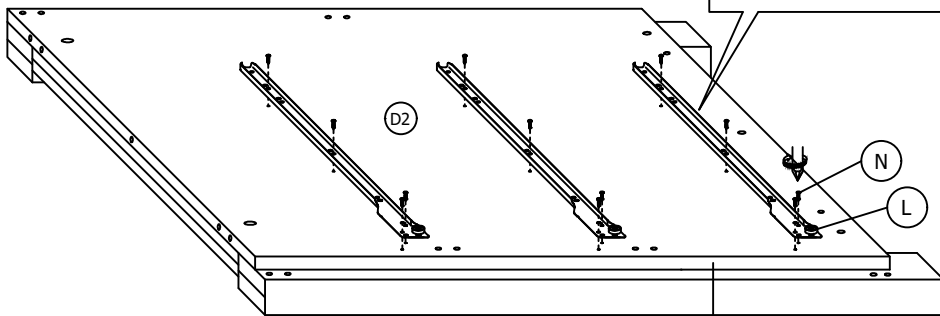
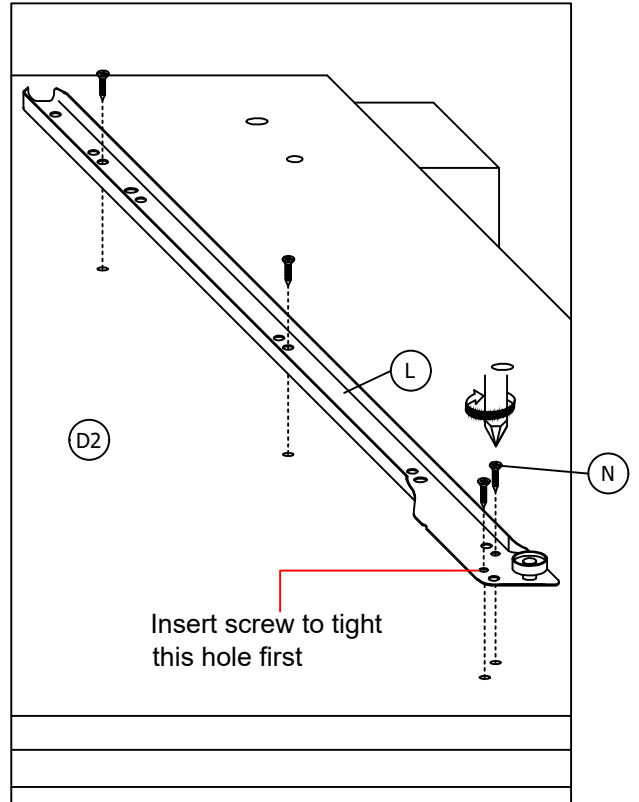


ASSEMBLY INSTRUCTION

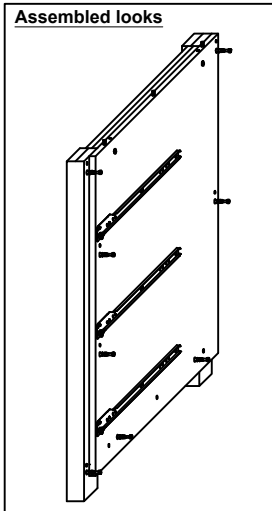
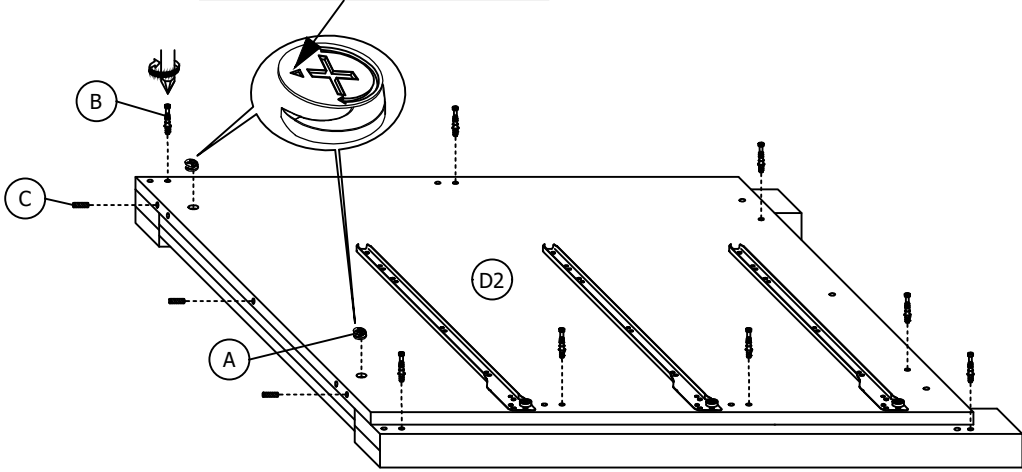
ASSEMBLY STEPS

STEP 1

Fix the 3 pieces (L) to the (D2) by using 12 pieces (N). Then insert 2 pieces (A), 8 pieces (B) and 3 pieces (C) as shown.



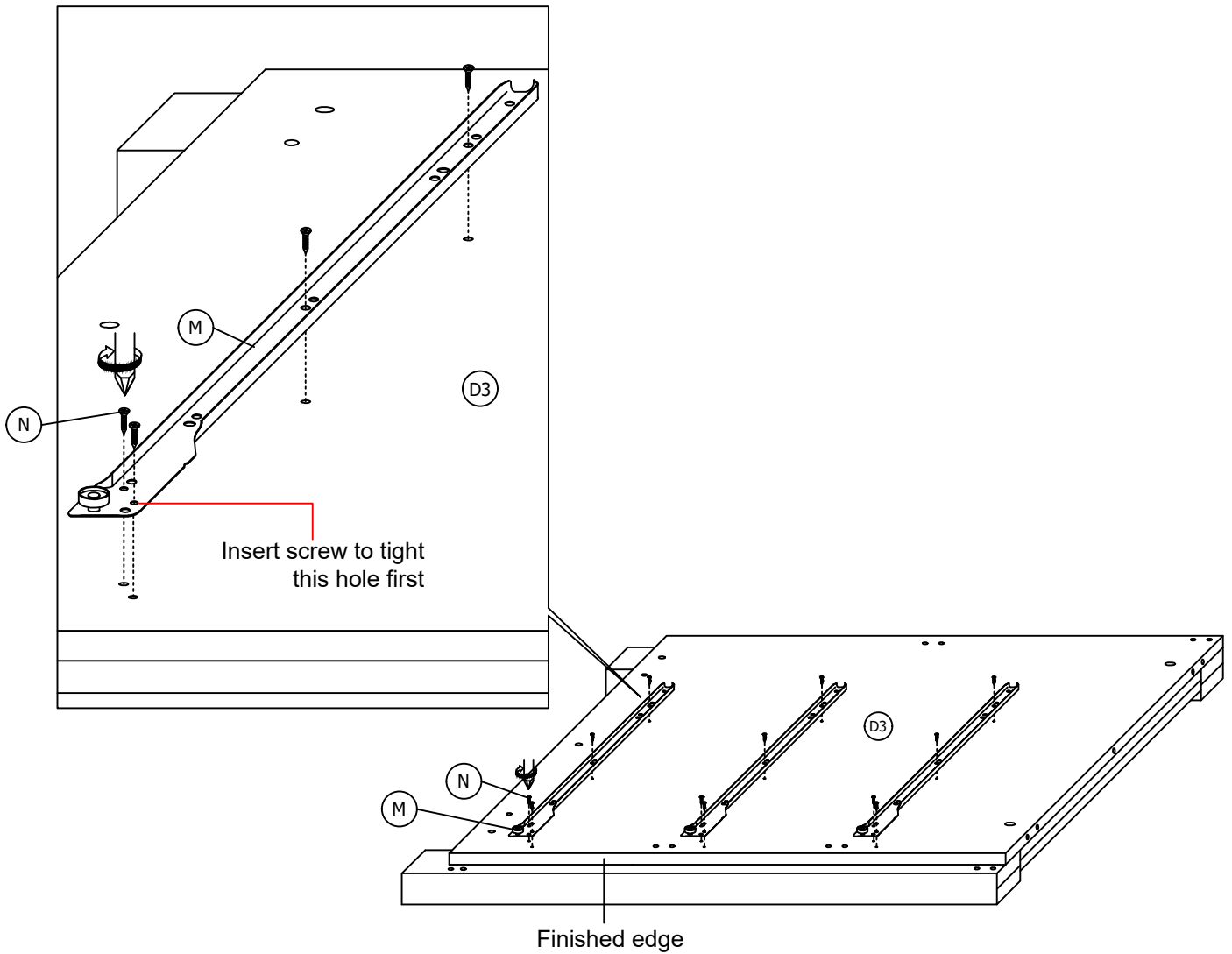
Arrow need to face outside.



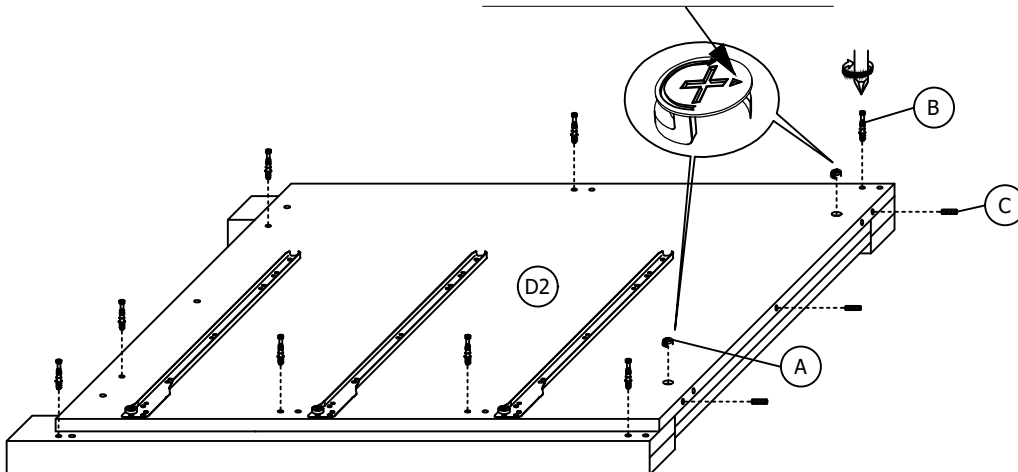
ASSEMBLY INSTRUCTION

STEP 2

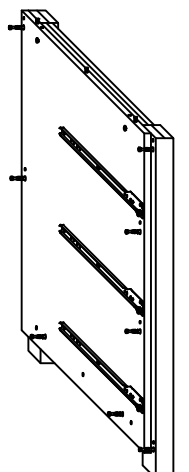
Fix the 3 pieces (M) to the (D3) by using 12 pieces (N). Then insert 2 pieces (A), 8 pieces (B) and 3 pieces (C) as shown.



Arrow need to face outside.



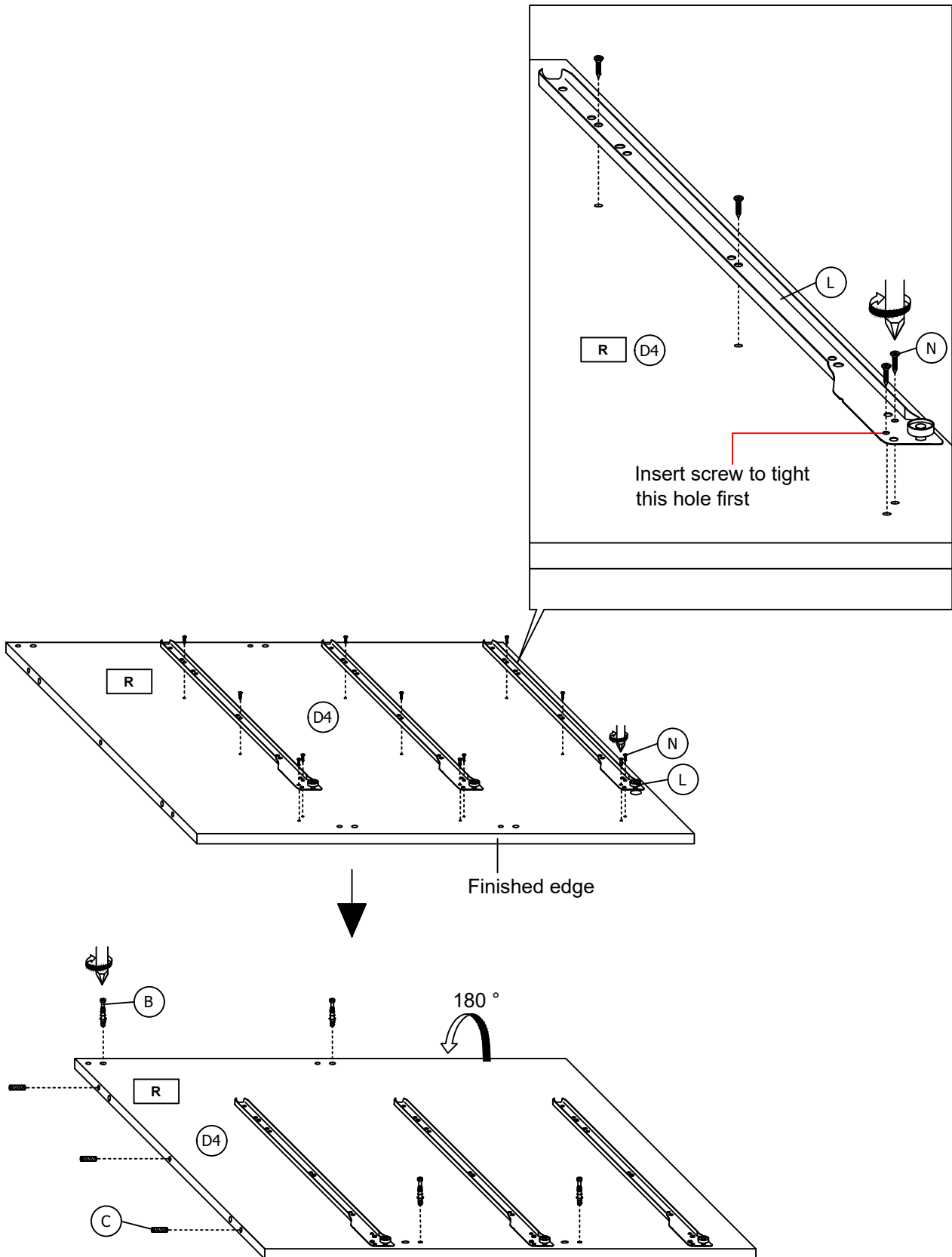
Assembled looks



ASSEMBLY INSTRUCTION

STEP 3

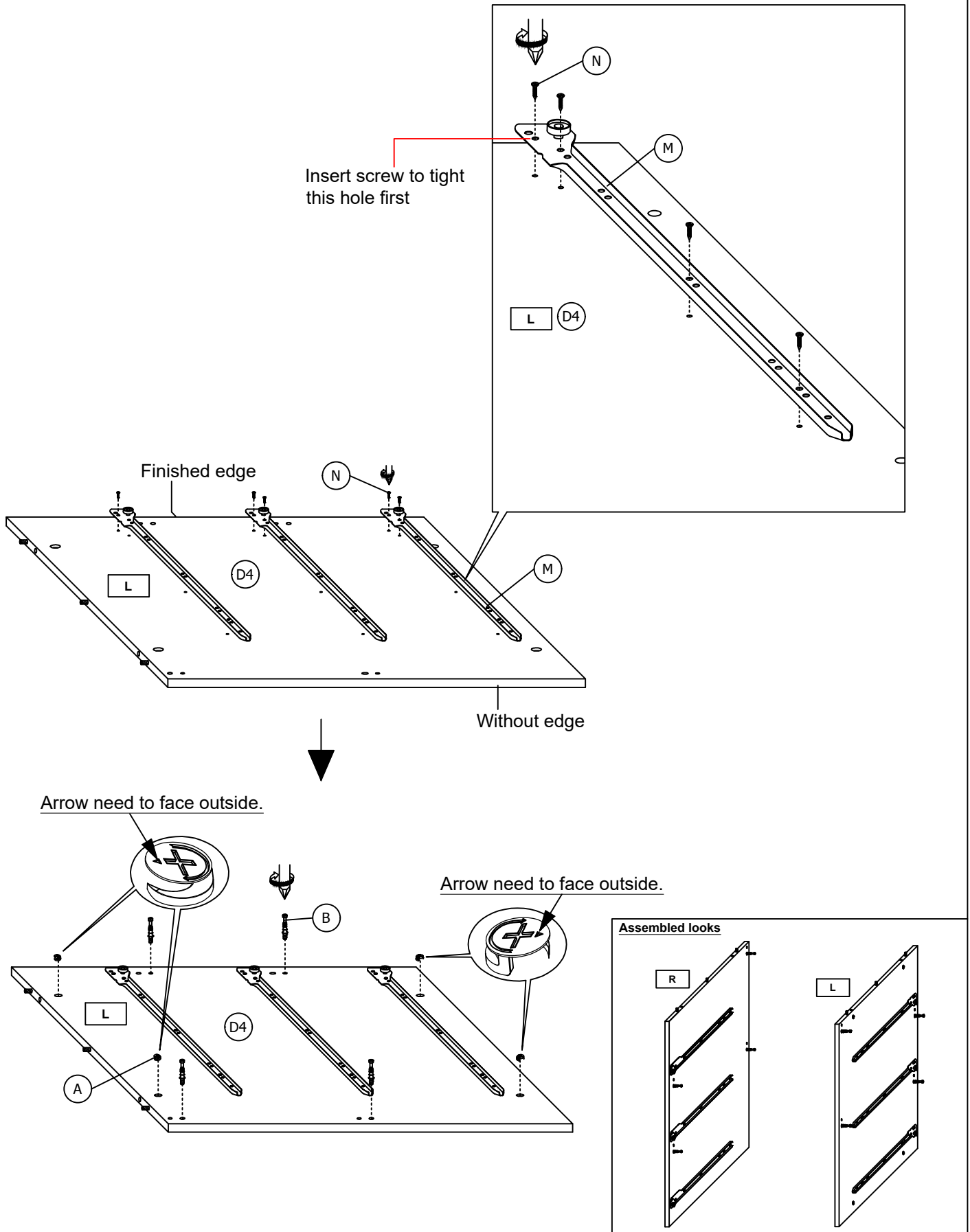
Fix the remaining 3 pieces (L) to the right side of (D4) by using 12 pieces (N). Then insert 3 pieces (C) and 4 pieces (B) as shown.



ASSEMBLY INSTRUCTION

STEP 4

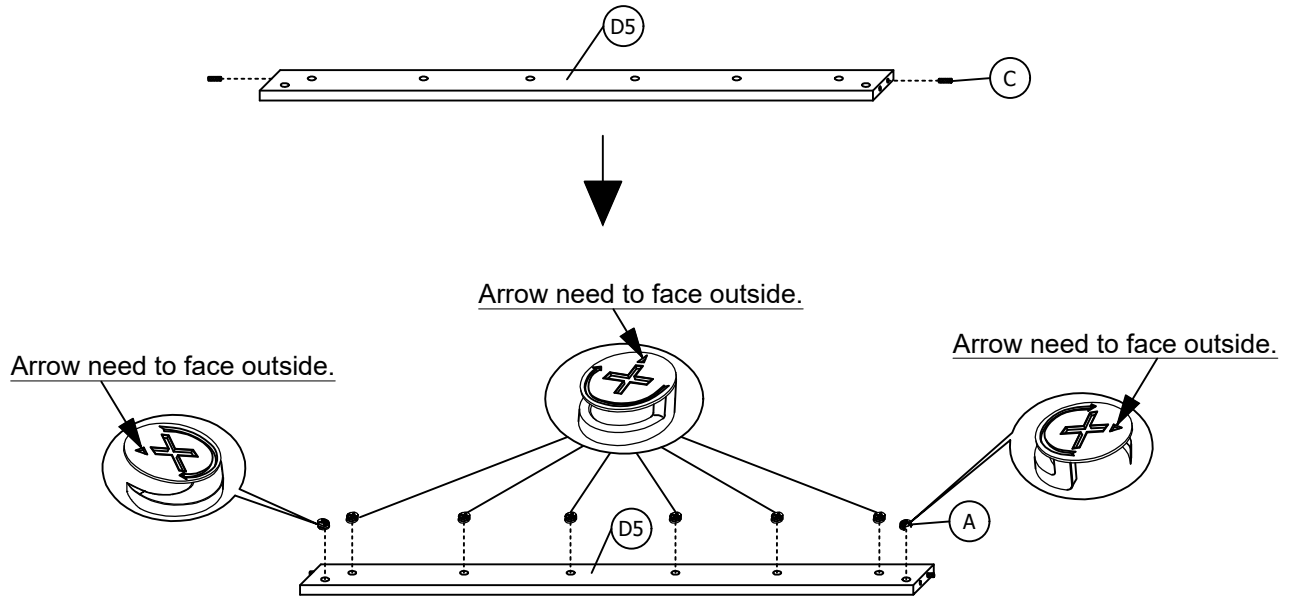
Fix the remaining 3 pieces (M) to the left side of (D4) by using 12 pieces (N). Then insert 4 pieces (A),(B) as shown.



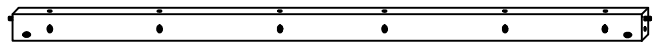
ASSEMBLY INSTRUCTION

STEP 5

Insert 2 pieces (C) and 8 pieces (A) to (D5) as shown.

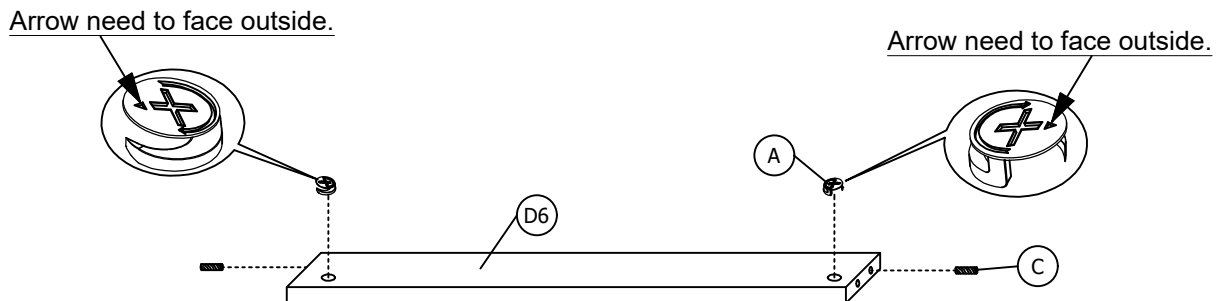


Assembled looks

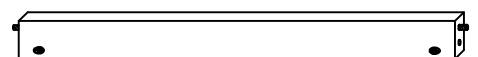


STEP 6

Insert 2 pieces (A),(C) to (D6) as shown. **This step needs to be done four times.**



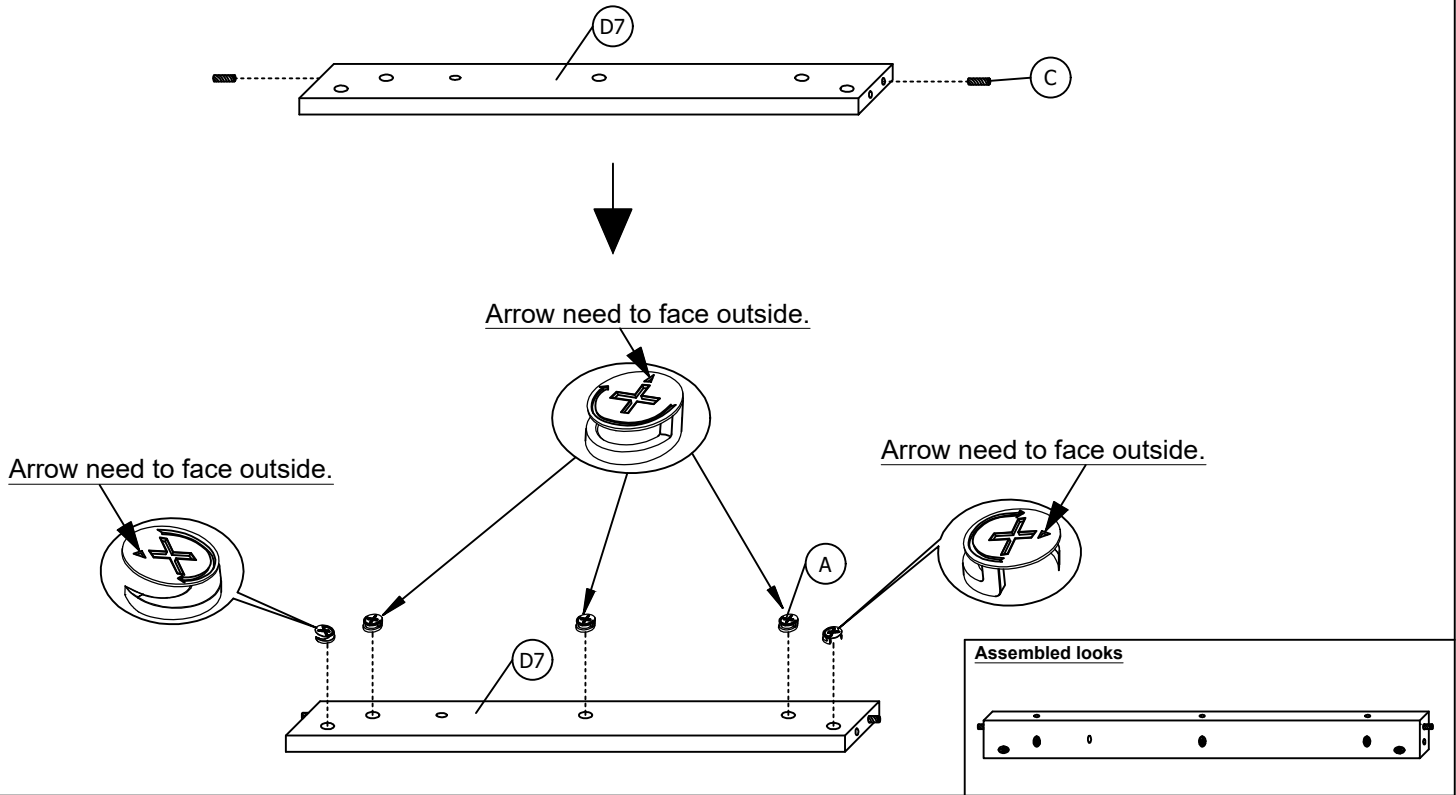
Assembled looks



ASSEMBLY INSTRUCTION

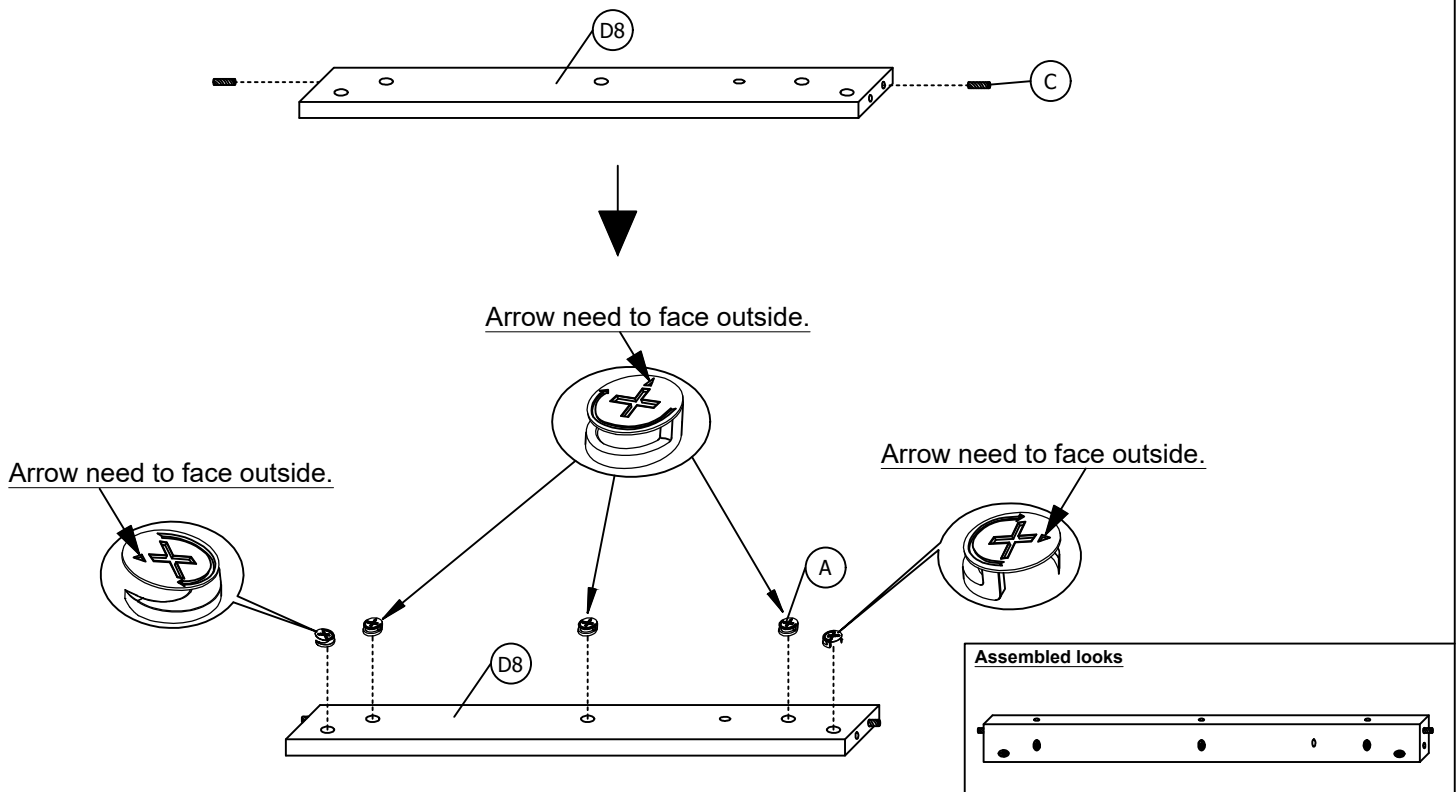
STEP 7

Insert 2 pieces (C) and 5 pieces (A) to (D7) as shown.



STEP 8

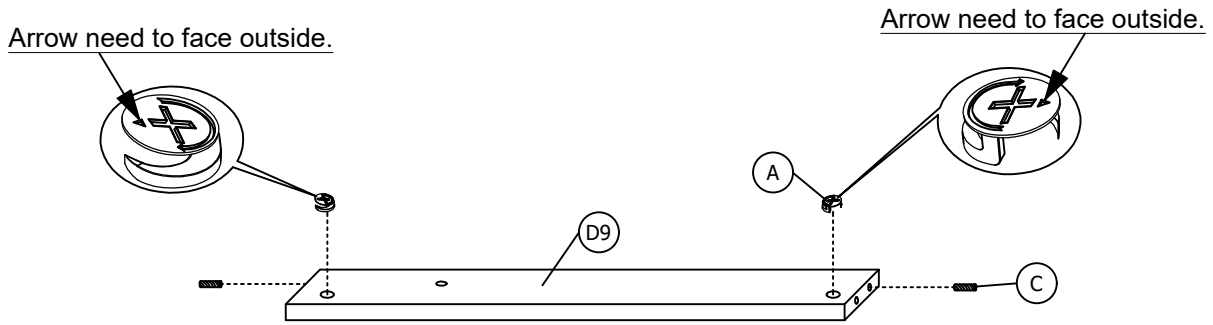
Insert 2 pieces (C) and 5 pieces (A) to (D8) as shown.



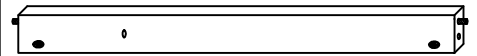
ASSEMBLY INSTRUCTION

STEP 9

Insert 2 pieces (A),(C) to (D9) as shown.

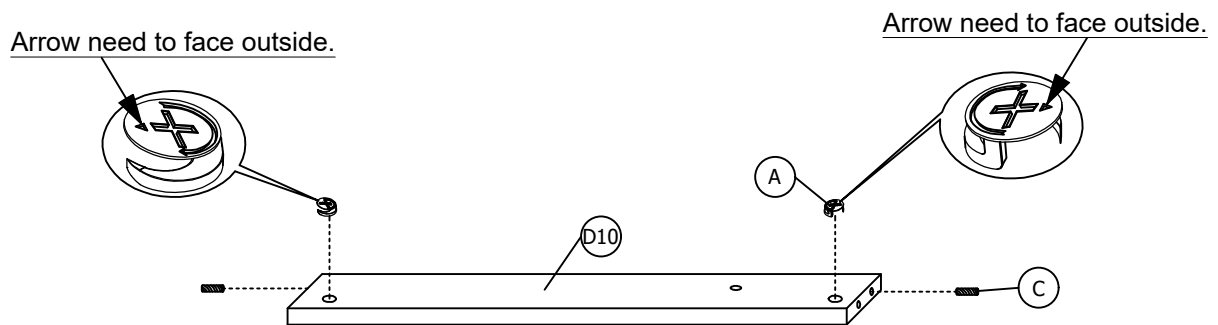


Assembled looks

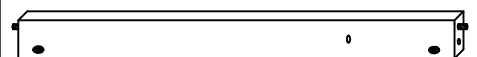


STEP 10

Insert 2 pieces (A),(C) to (D10) as shown.



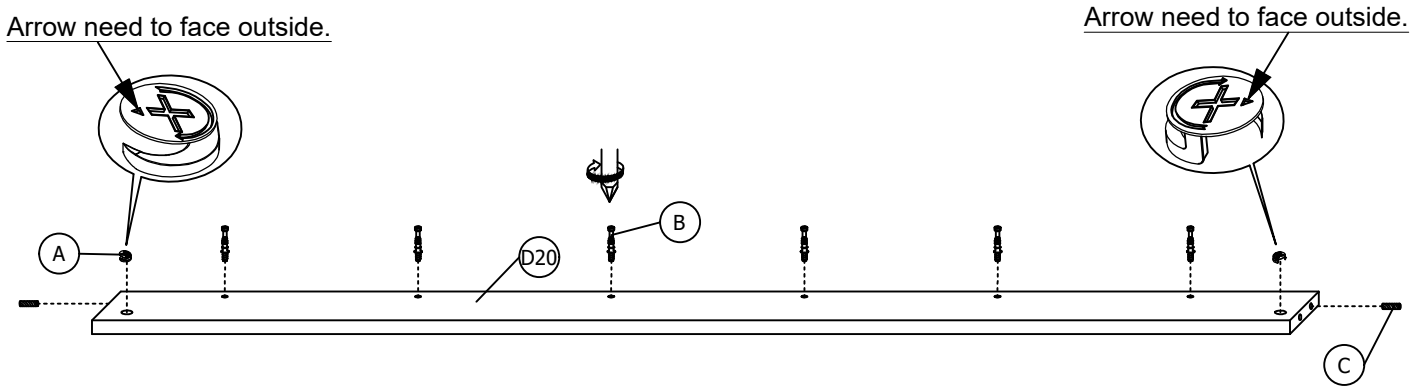
Assembled looks



ASSEMBLY INSTRUCTION

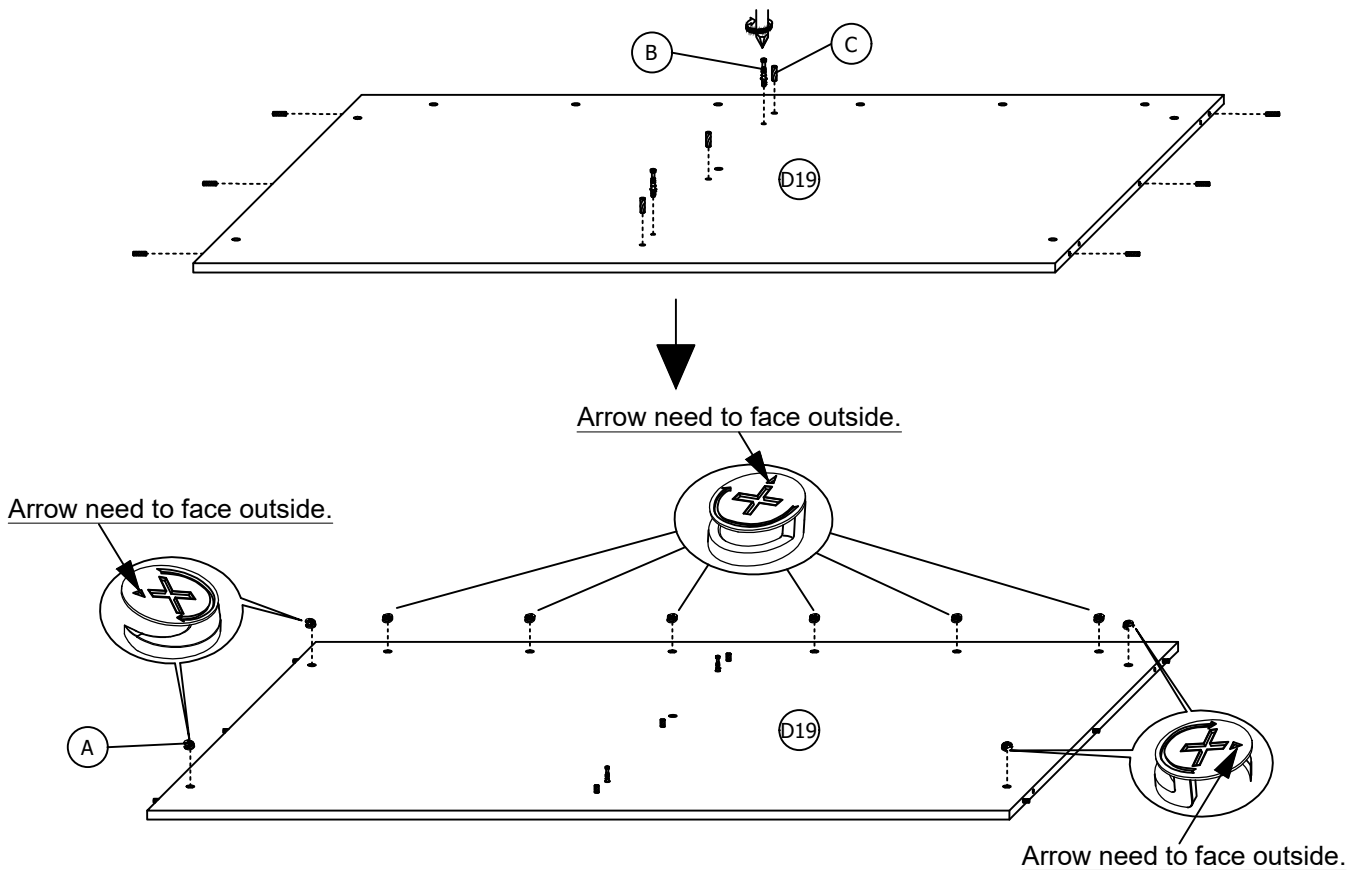
STEP 11

Insert 2 pieces (A),(C) and 6 pieces (B) to the (D20) as shown.



STEP 12

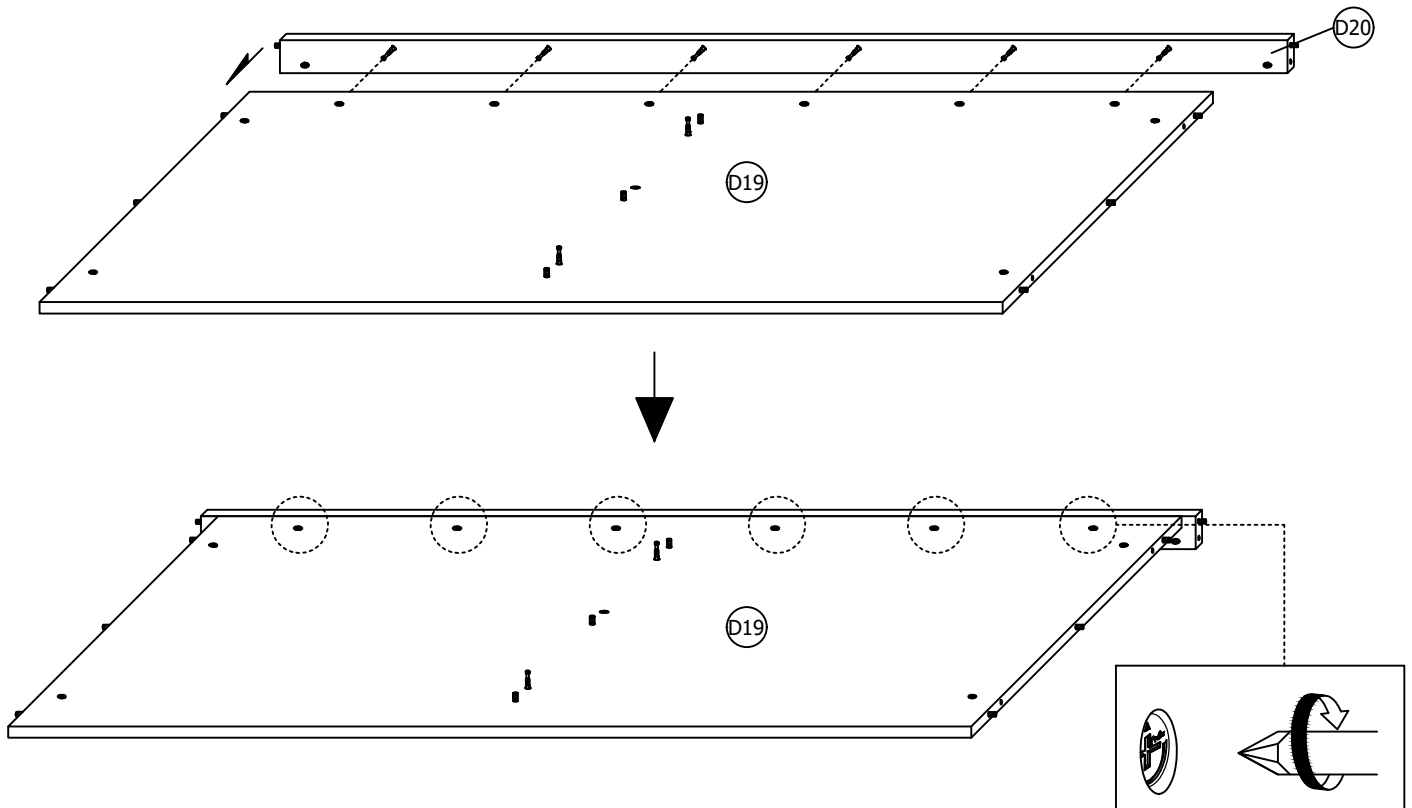
Insert 10 pieces (A), 2 pieces (B) and 9 pieces (C) to the (D19) as shown.



ASSEMBLY INSTRUCTION

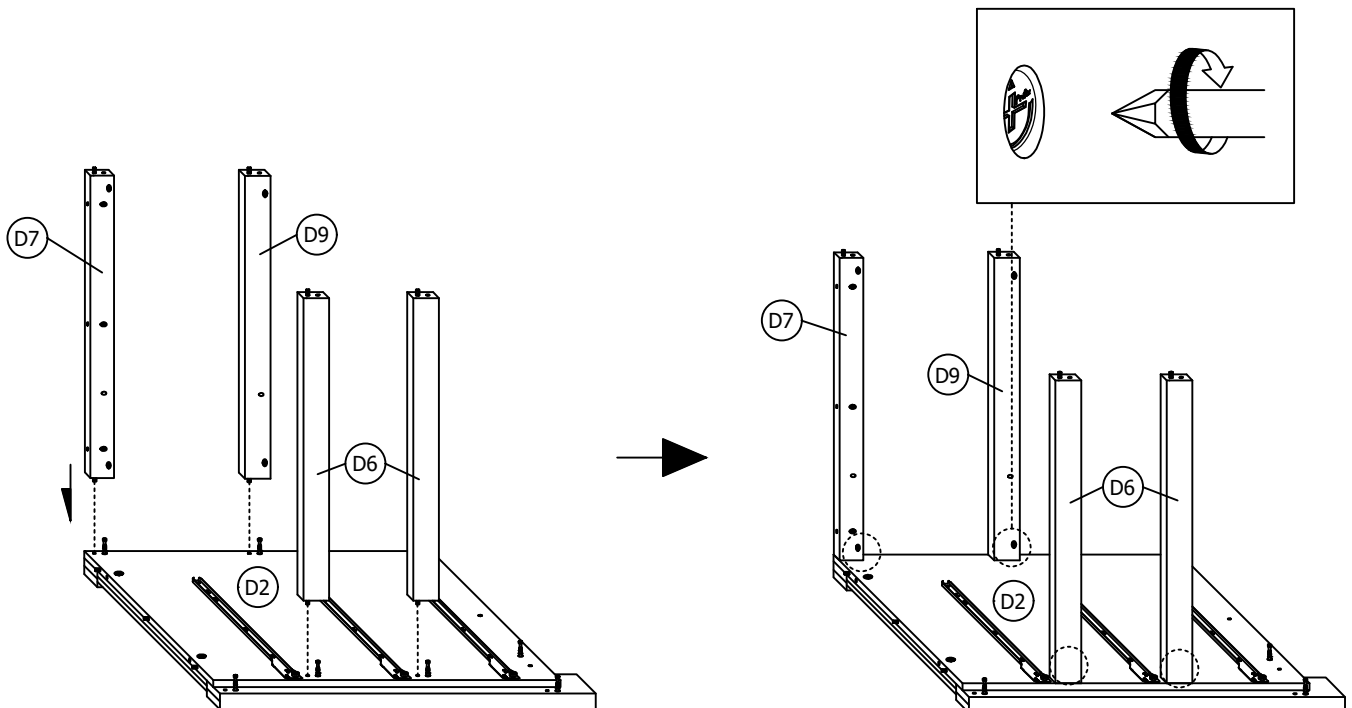
STEP 13

Combine the (D19),(D20) and tighten the 6 pieces (A)-(pre insert in previous step) as shown.



STEP 14

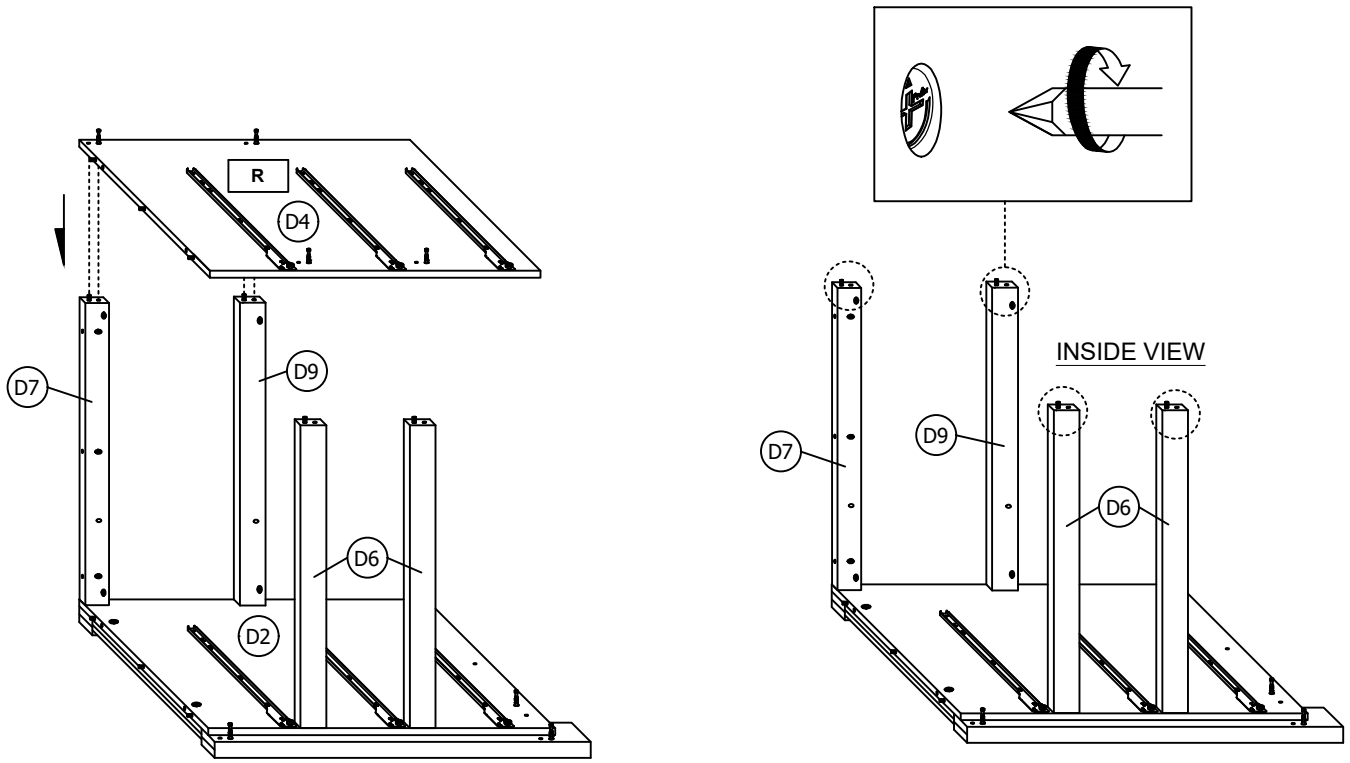
Combine (D6),(D7) and (D9) to (D2). Then tighten the 4 pieces (A)-(pre insert in step 6,7 and 9) as shown.



ASSEMBLY INSTRUCTION

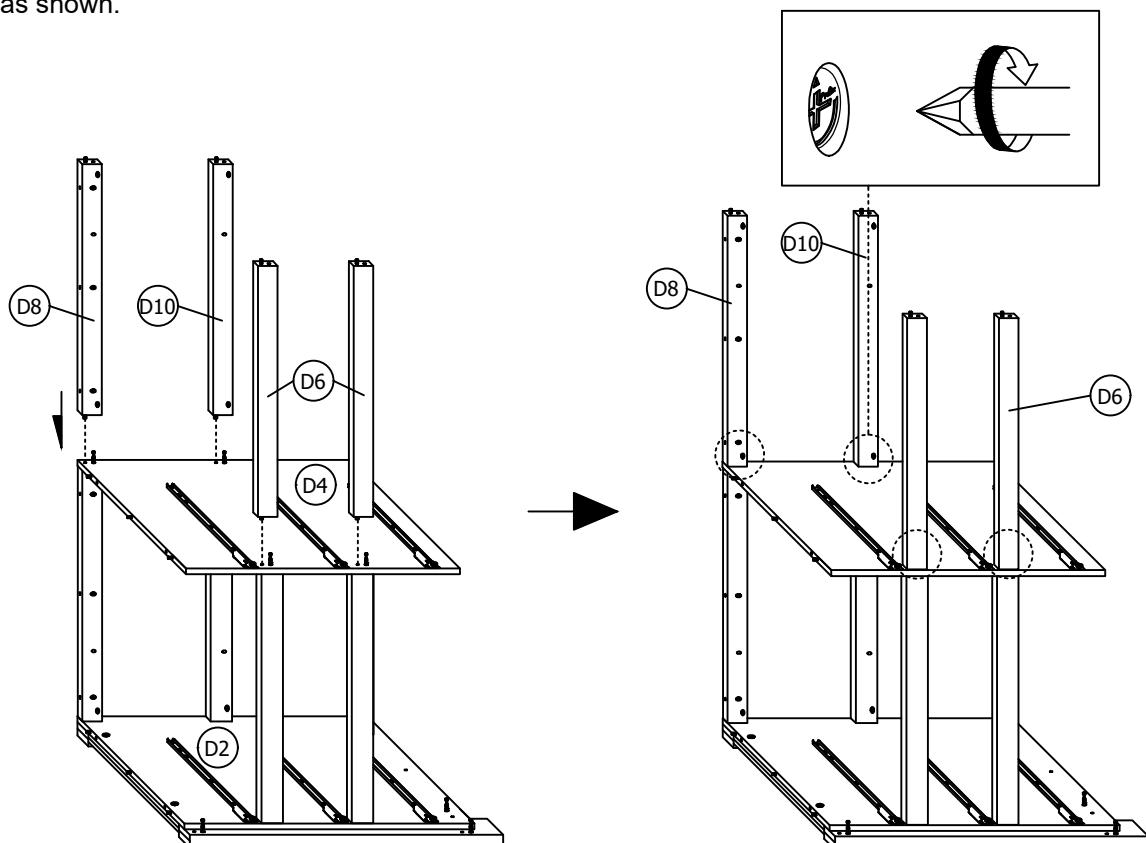
STEP 15

Combine the (D4) to the (D6),(D7) and (D9) then tighten the another 4 pieces (A)-(pre-insert in step 6,7 and 9) as shown.



STEP 16

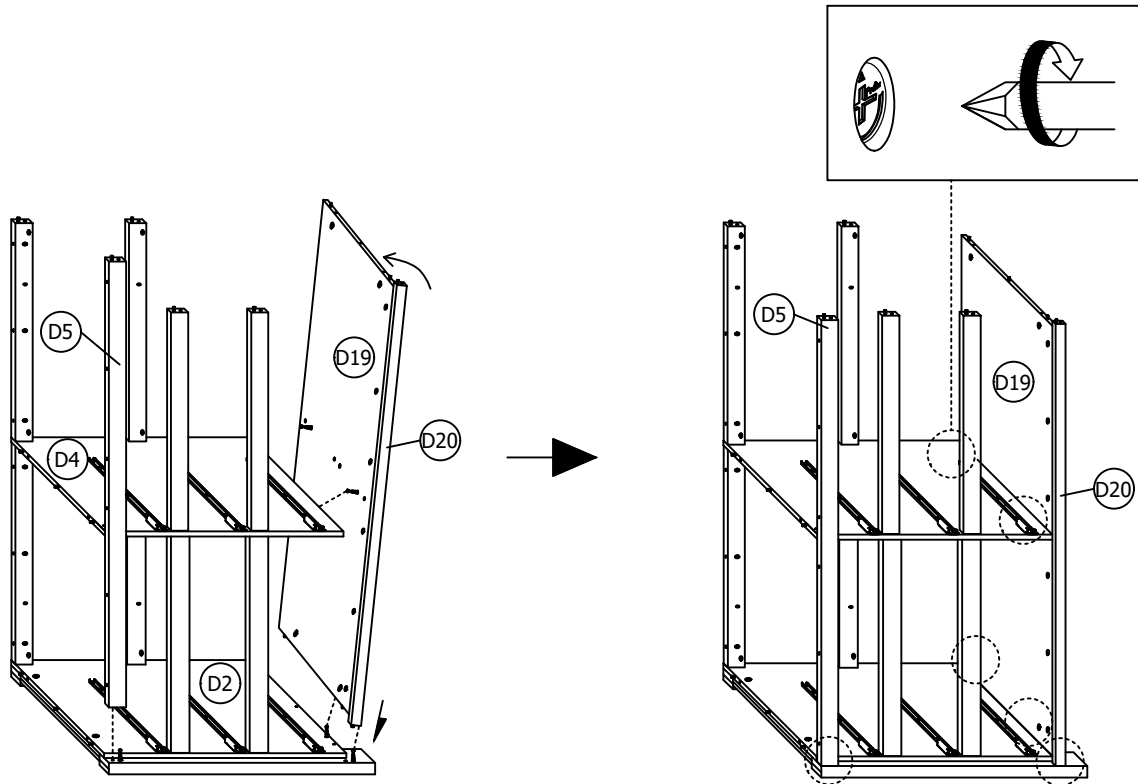
Combine the remaining 2 pieces (D6) and (D8),(D10) to the (D4). Then tighten the 4 pieces (A)-(pre-insert in step 6,8 and 10) as shown.



ASSEMBLY INSTRUCTION

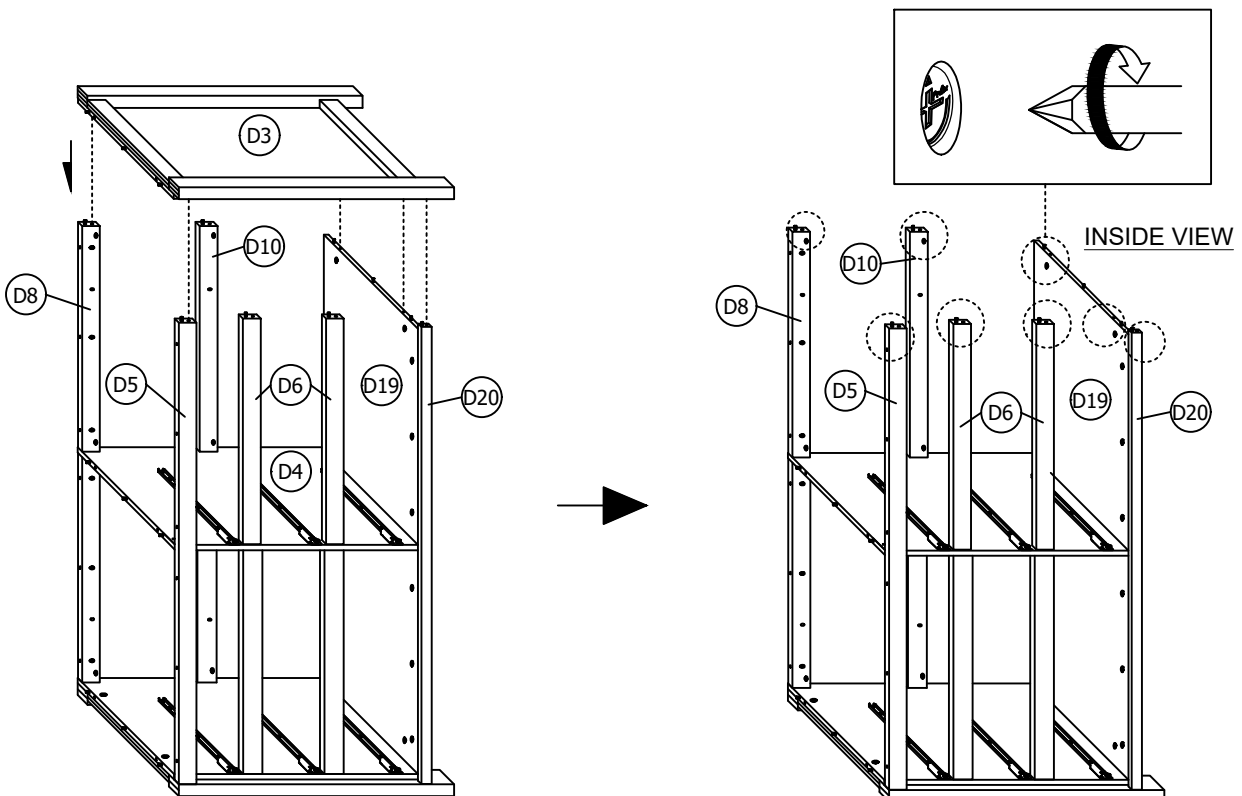
STEP 17

Combine the (D5),(D19),(D20) to the (D2). Then tighten the 6 pieces (A)-(pre-insert in step 5,11 and 12) as shown.



STEP 18

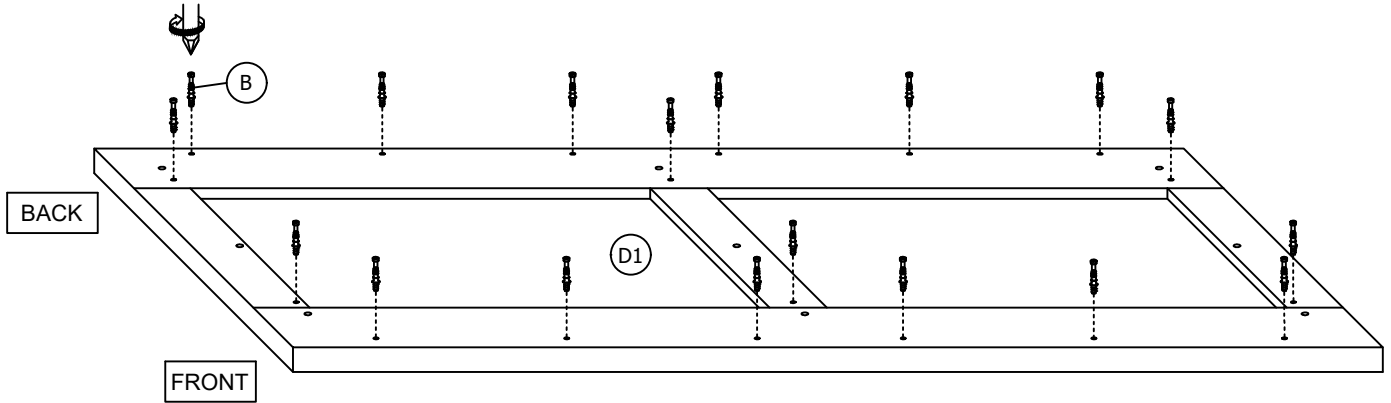
Combine the (D3) to the (D5),(D6),(D8),(D10),(D19),(D20) . Then tighten the 8 pieces (A)-(pre-insert in step 5,6,8,10,11 and 12) as shown.



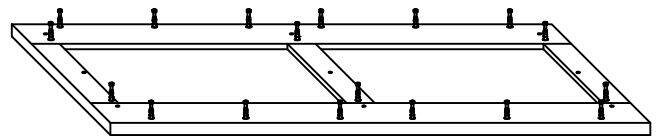
ASSEMBLY INSTRUCTION

STEP 19

Insert 18 pieces (B) to (D1) as shown.

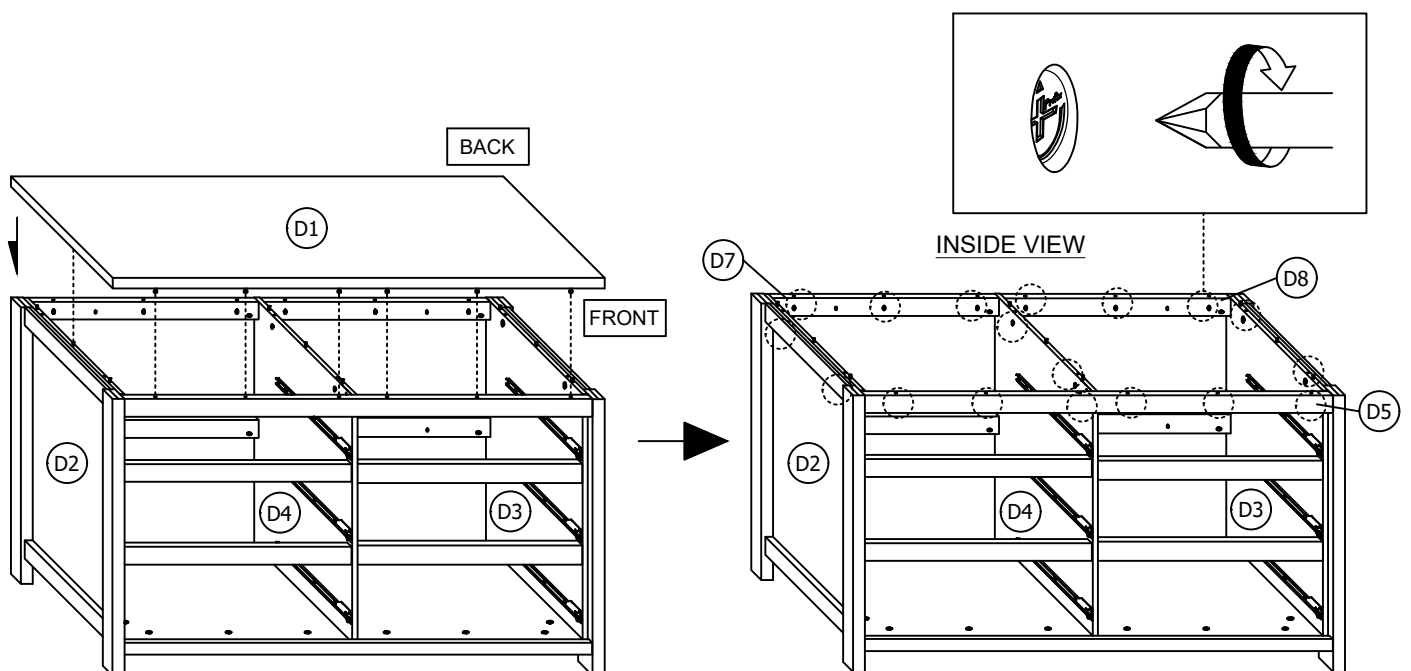


Assembled looks



STEP 20

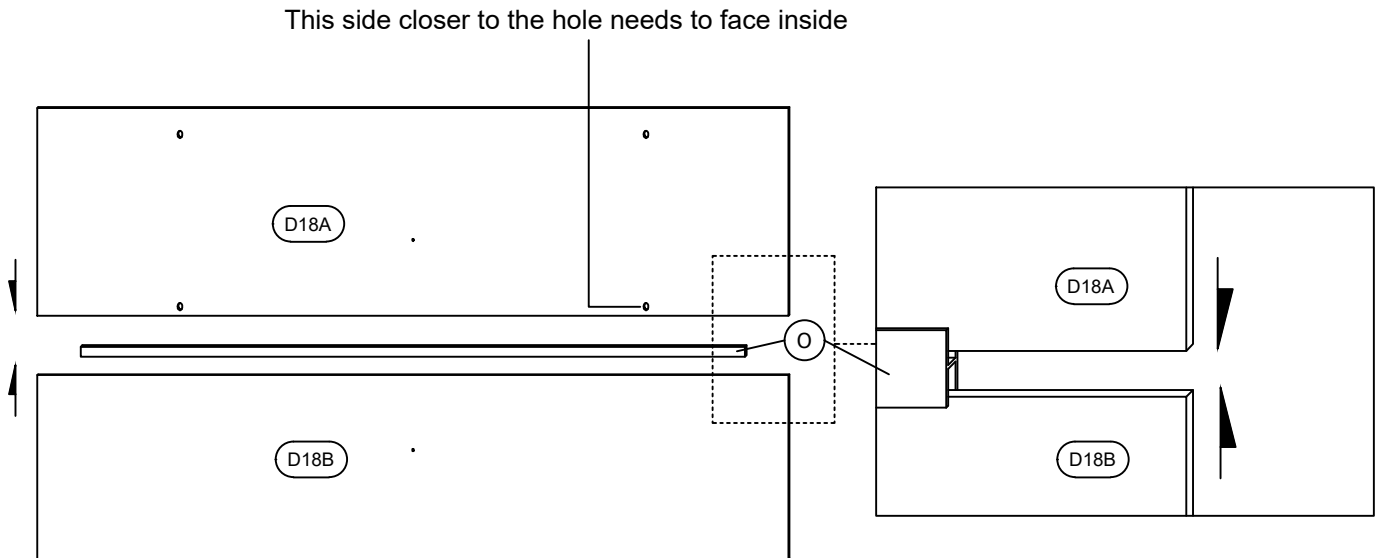
Combine the (D1) to the frame then tighten the 18 pieces (A)-(pre-insert in step 1,2,4,5,7 and 8) as shown.



ASSEMBLY INSTRUCTION

STEP 21

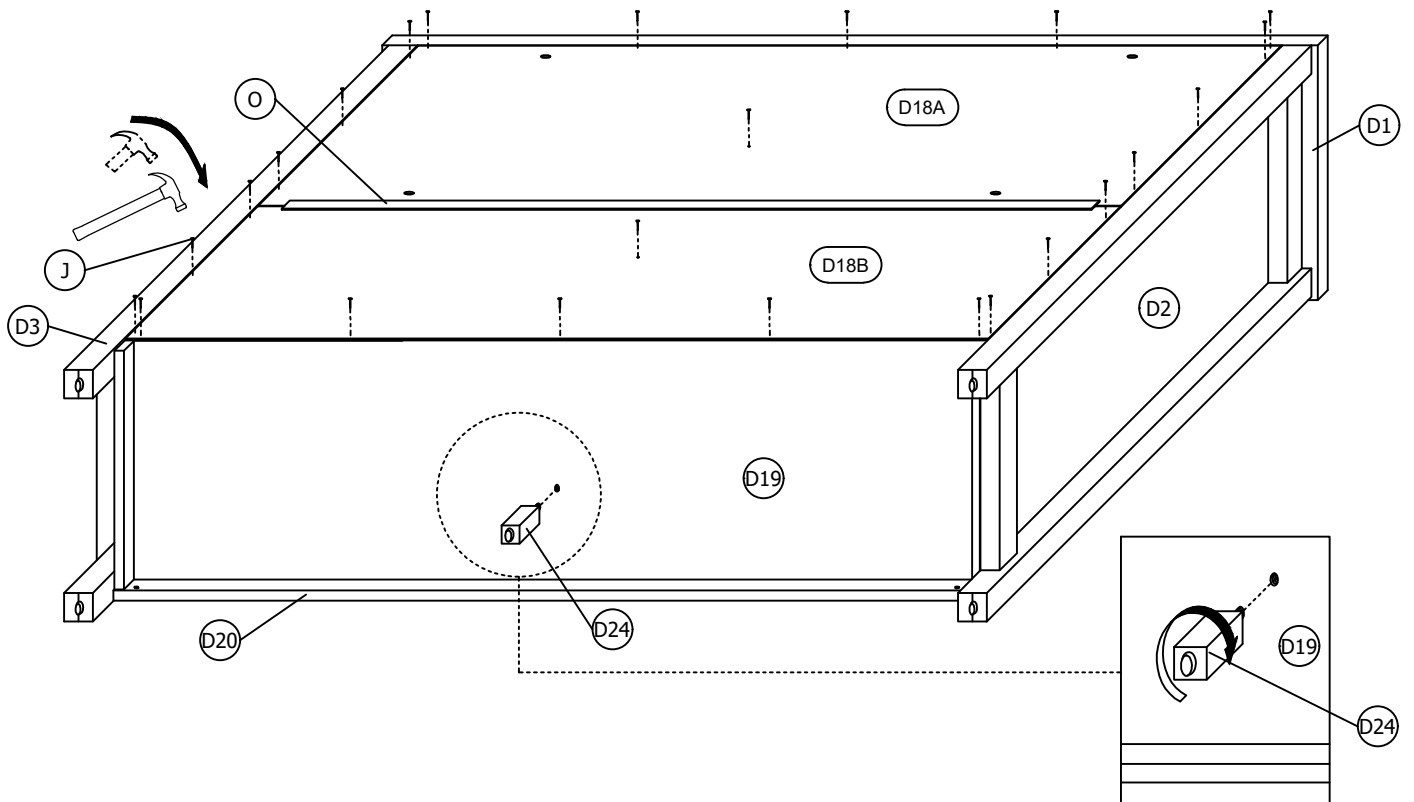
Put the (D18A) and (D18B) to the gap of (O) as shown. Direction of the side with colored paper must be the same.



STEP 22

Insert the 24 pieces (J) to fix the (D18A) and (D18B) as shown. Colored paper face to outside.

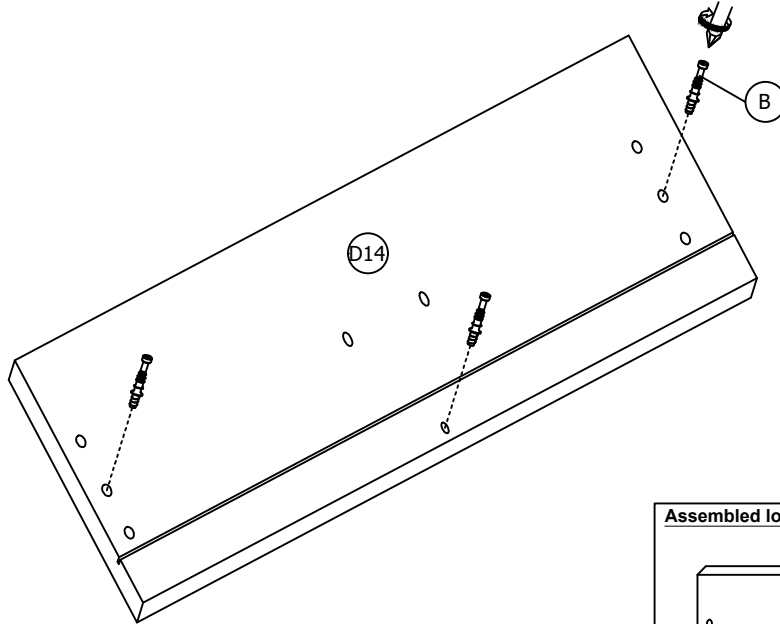
To prevent blocking (D2) and (D3), make sure the (O) at the middle of (D18A) and (D18B), do not over left or right. Then turn (D24) clockwise to combine to the (D19).



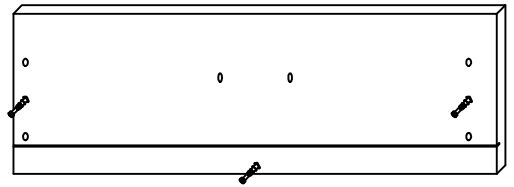
ASSEMBLY INSTRUCTION

STEP 23

Insert 3 pieces (B) to the (D14) as shown. This step needs to be **done three times**.

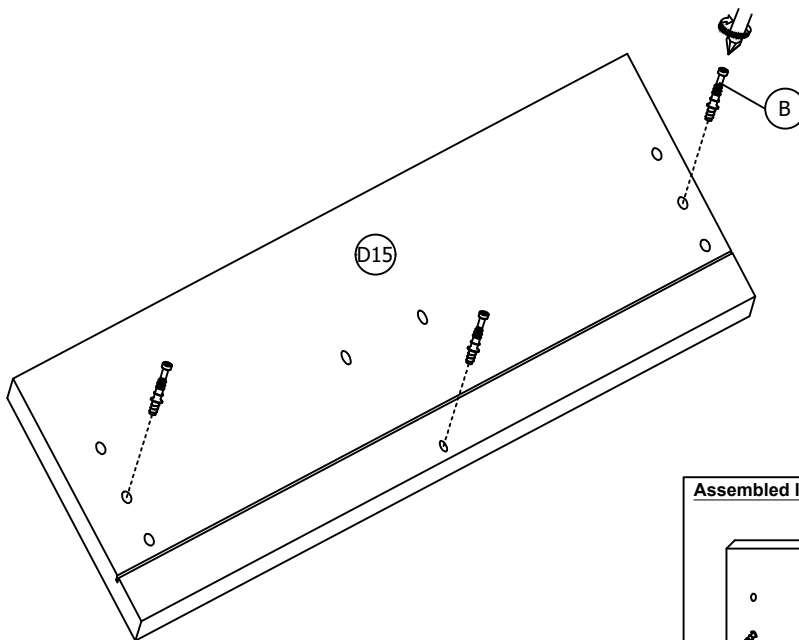


Assembled looks

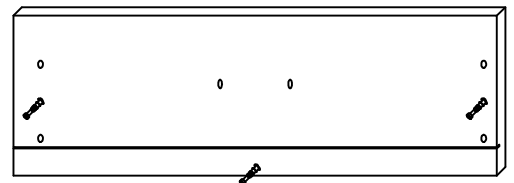


STEP 24

Insert 3 pieces (B) to the (D15) as shown. This step needs to be **done three times**.



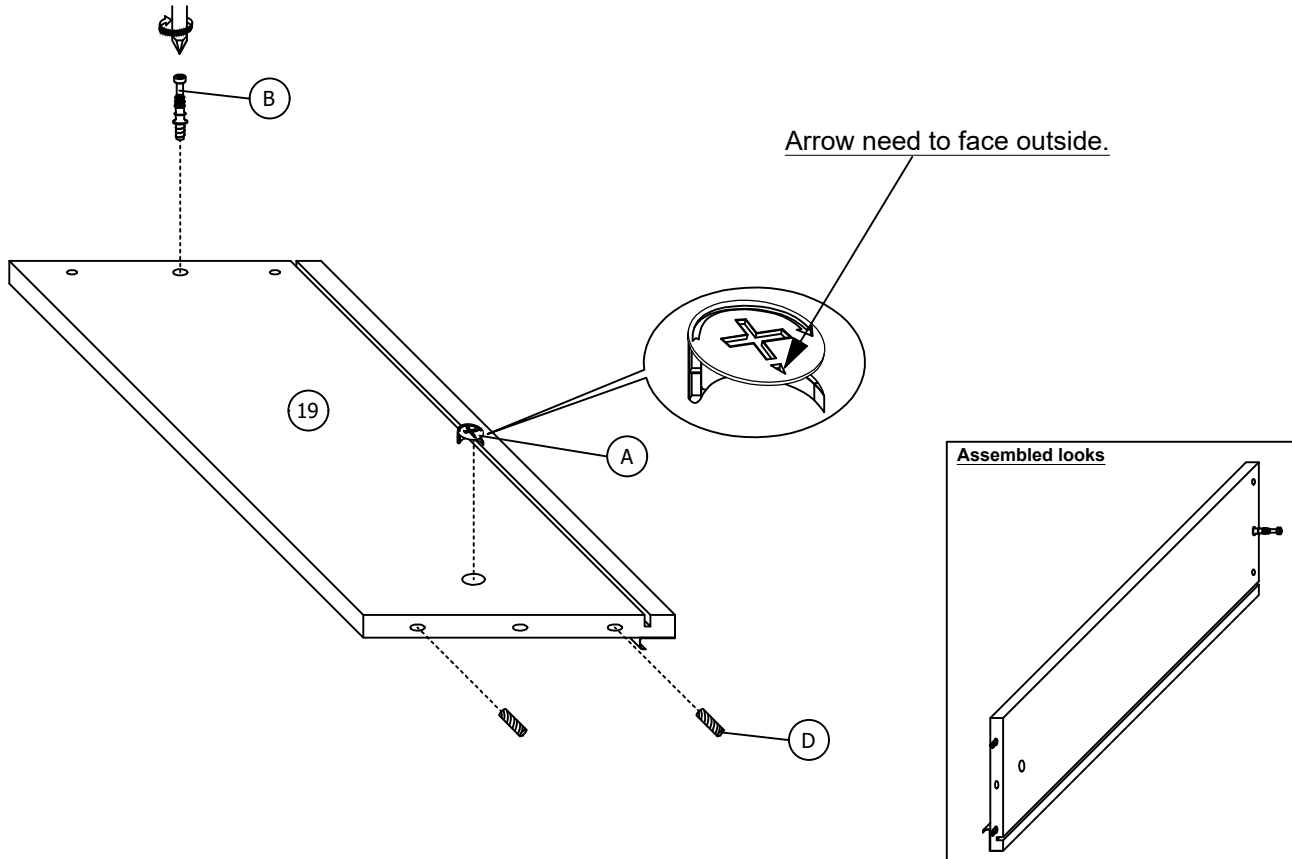
Assembled looks



ASSEMBLY INSTRUCTION

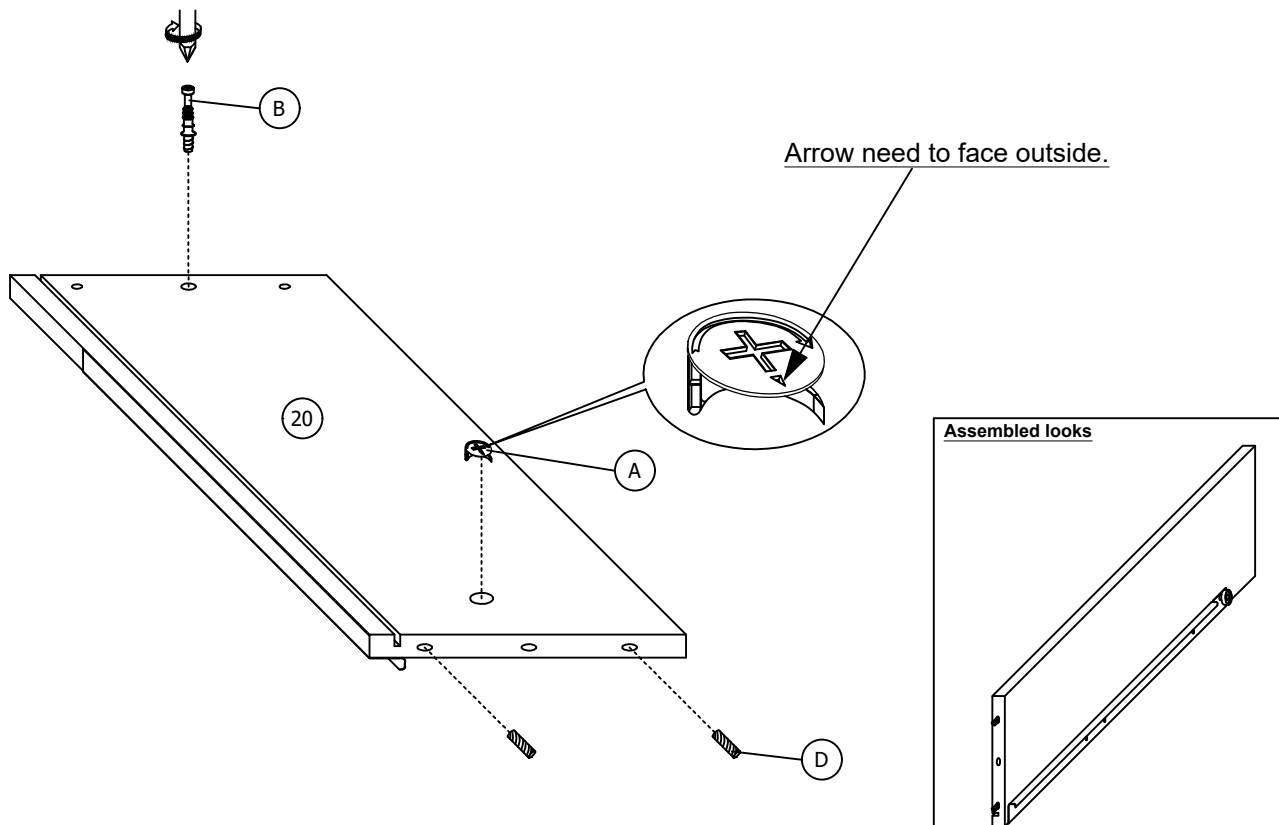
STEP 25

Insert 1 piece (A),(B) and 2 pieces (D) to (19) as shown. This step needs to be **done six times**.



STEP 26

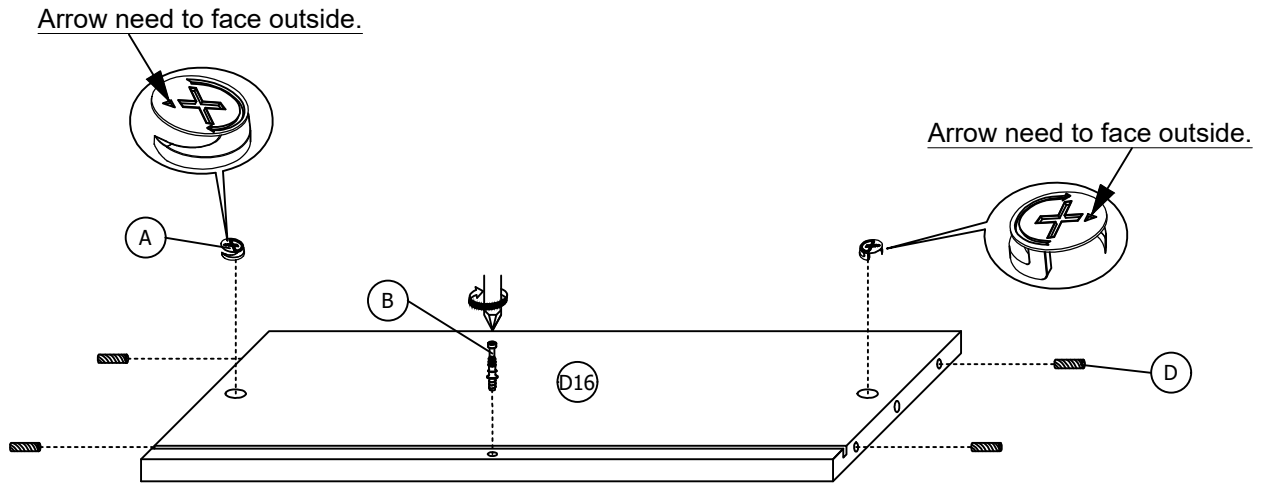
Insert 1 piece (A),(B) and 2 pieces (D) to (20) as shown. This step needs to be **done six times**.



ASSEMBLY INSTRUCTION

STEP 27

Insert 2 pieces (A) , 1 piece (B) and 4 pieces (D) to (D16) as shown. This step needs to be **done six times**.

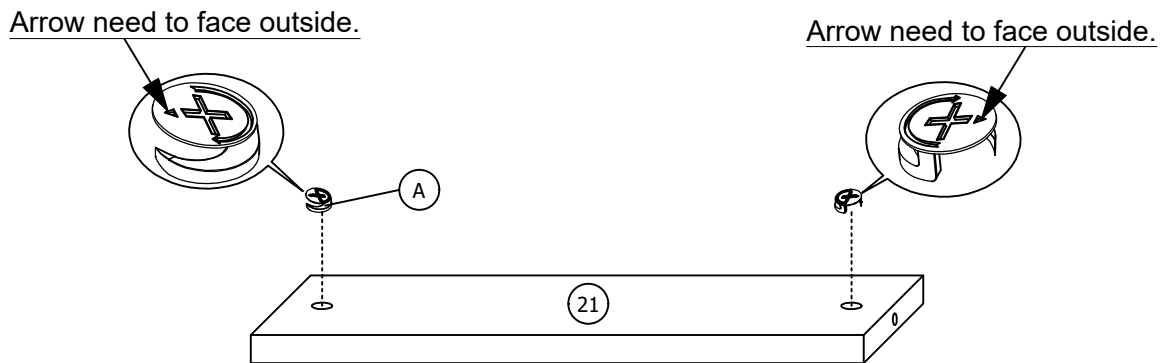


Assembled looks

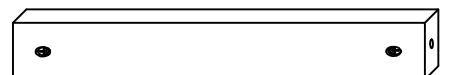


STEP 28

Insert 2 pieces (A) to (21) as shown. This step needs to be **done six times**.



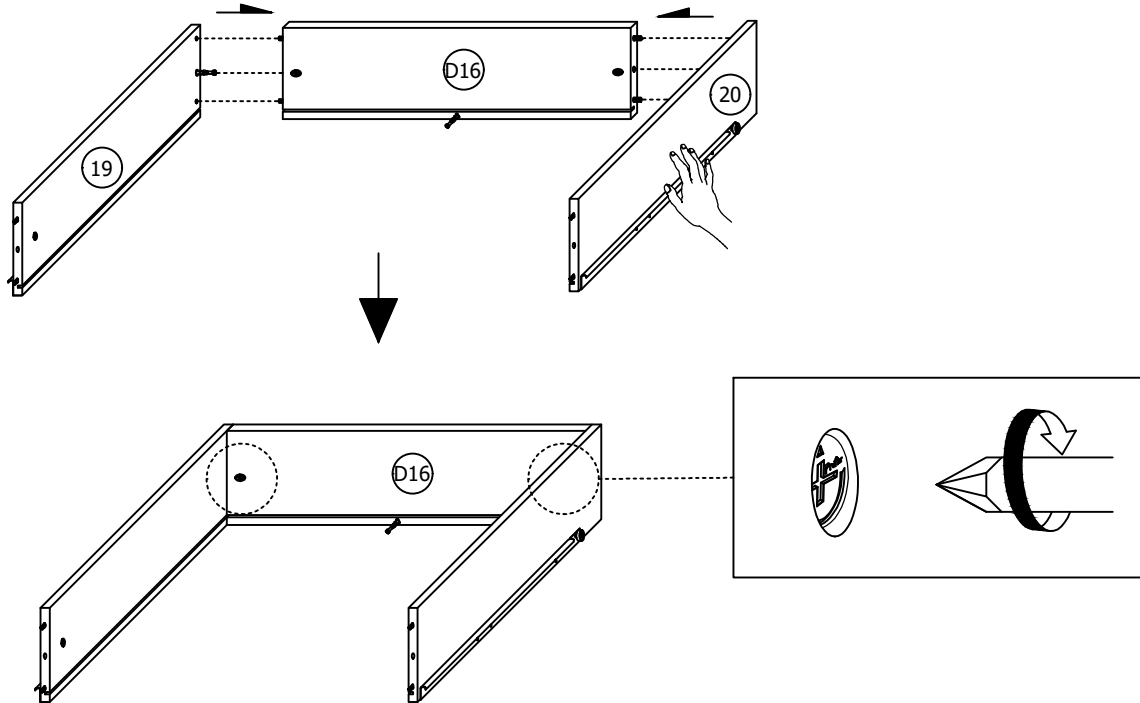
Assembled looks



ASSEMBLY INSTRUCTION

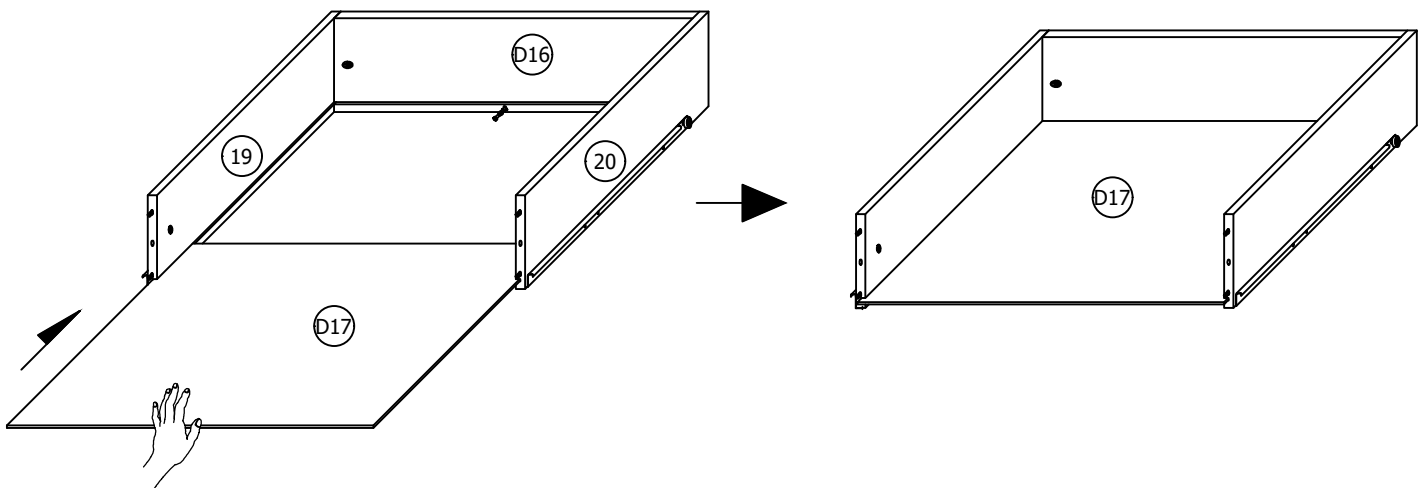
STEP 29

Combine the (19) and (20) to the (D16) . Then tighten the 2 pieces (A)-(pre-insert in step 27) as shown.This step needs to be **done six times**.



STEP 30

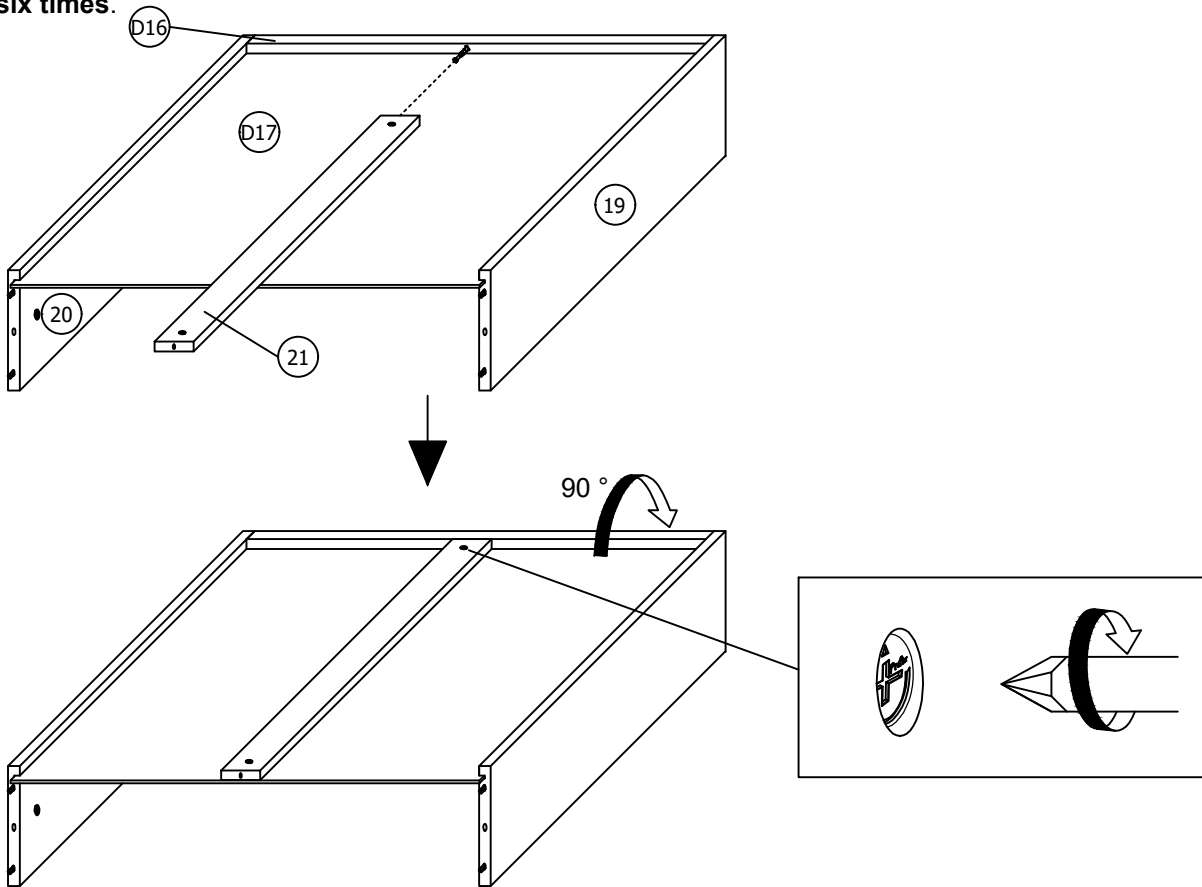
Put the (D17) into the gap of (19),(20) and (D16) as shown.This step needs to be **done six times**.



ASSEMBLY INSTRUCTION

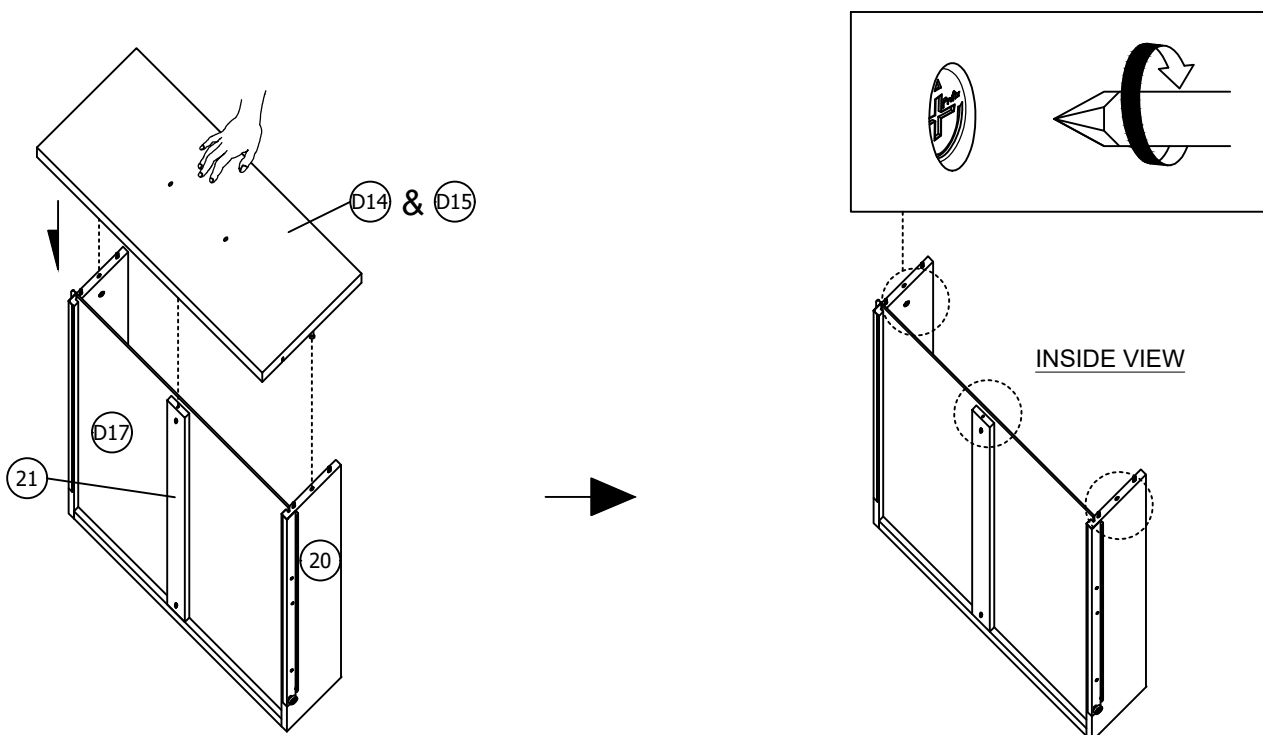
STEP 31

Combine the (21) to the (D16) then tighten the 1 piece (A)-(pre-insert in step 28) as shown. This step needs to be **done six times**.



STEP 32

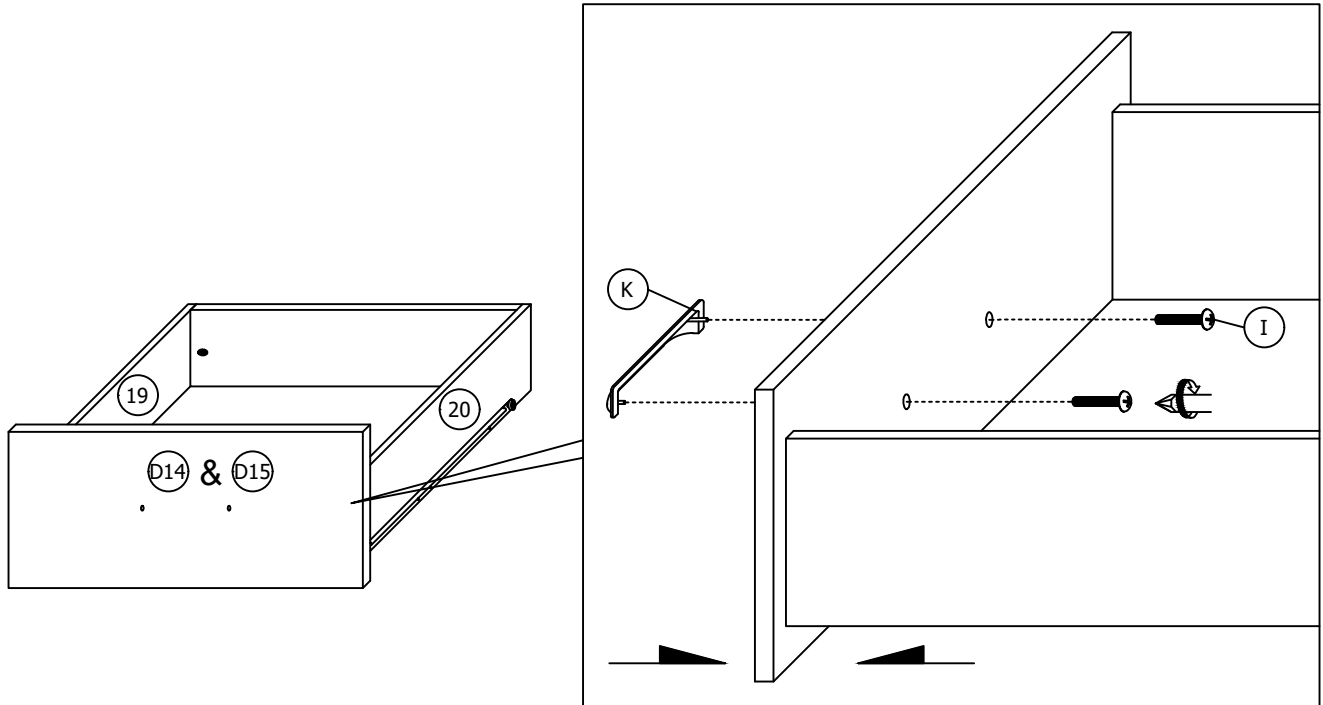
Combine the (D14) and (D15) to the drawer frame. Then tighten the 3 pieces (A)-(pre-insert in step 25,26 and 28) as shown. This step needs to be **done six times**.



ASSEMBLY INSTRUCTION

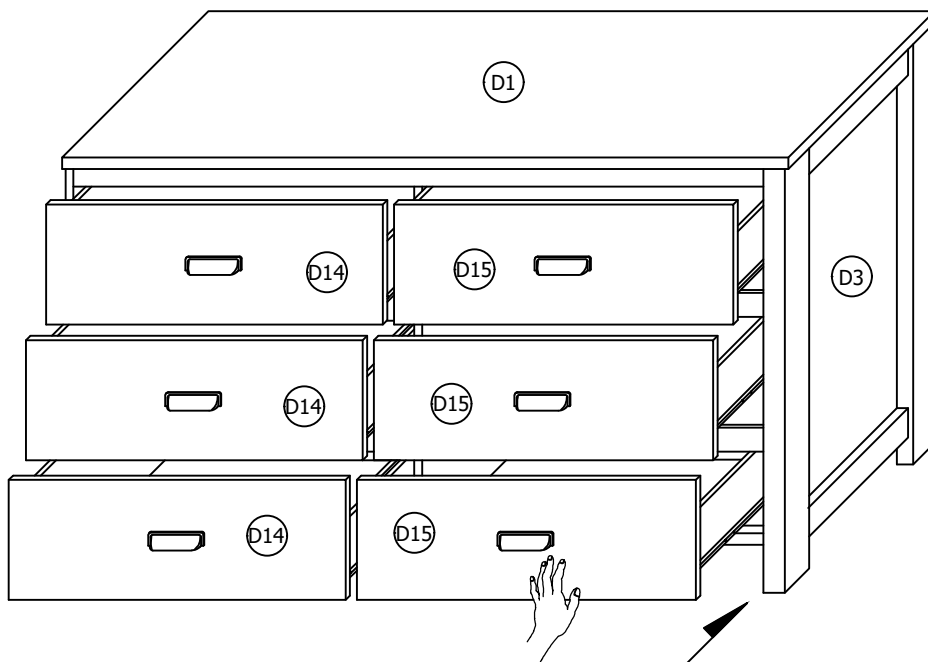
STEP 33

Insert 2 pieces (I) fix the (K) as shown. **This step needs to be done six times.**



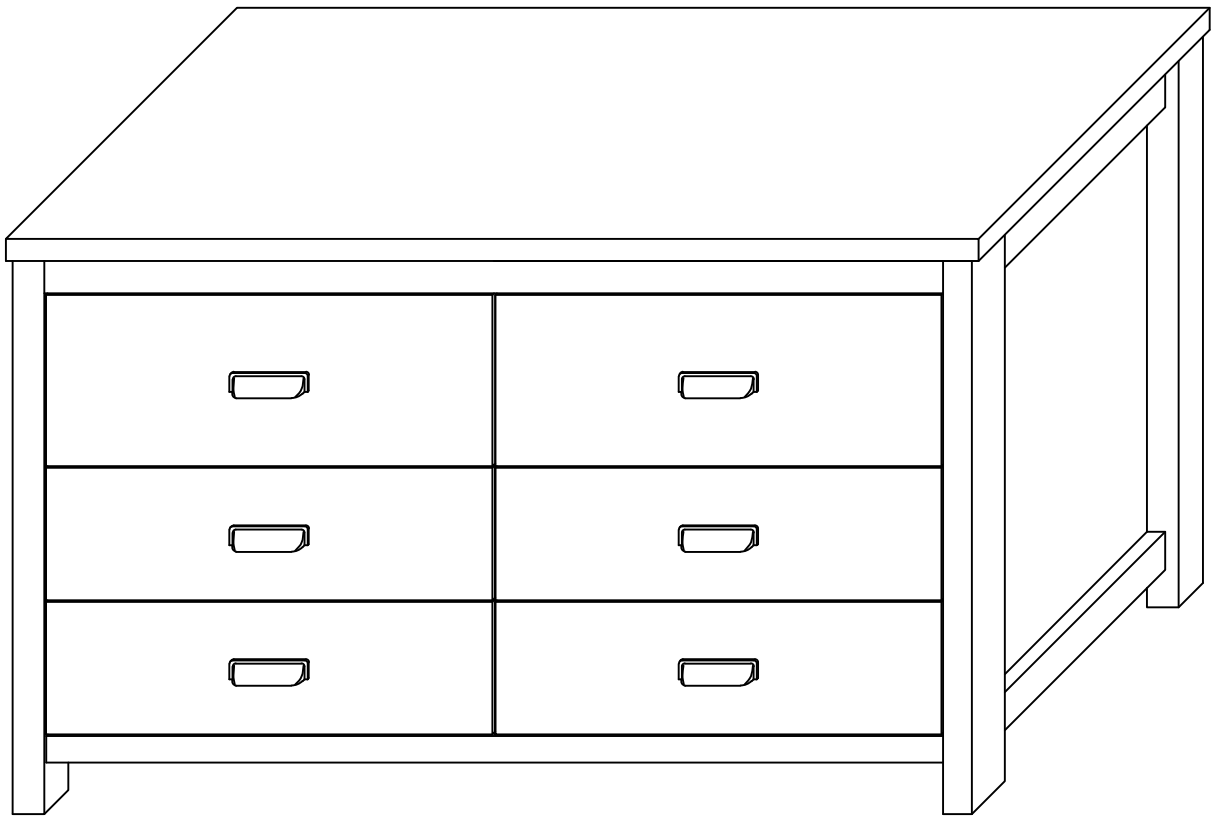
STEP 34

Align the position then push the 6 pieces drawer to inside exactly by your hand as shown.



ASSEMBLY INSTRUCTION

STEP 35



ASSEMBLY COMPLETED

WALL STUD

SAFETY BRACKET INSTRUCTIONS

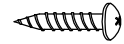
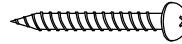
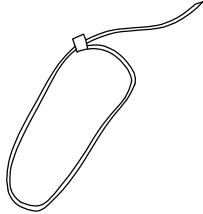
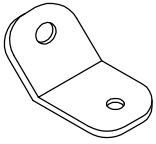
Part Enclosed

A) Bracket

B) Safety Strap

C) 50mm Pan Head Screw

D) 17mm Pan Head Screw



2x

1x

1x

1x

IMPORTANT Tipping can injure young children. Use of this safety hardware is highly recommended. This safety hardware, when properly installed, can provide furniture protection against unexpected accidental tipping of furniture due to improper use.

Step 1

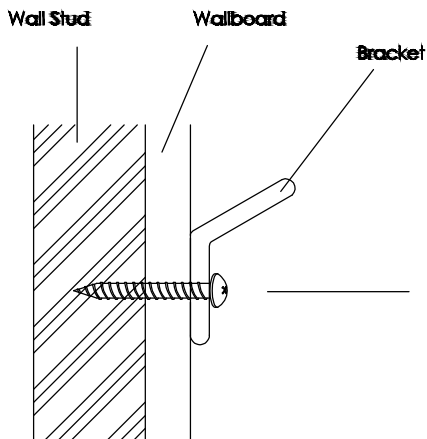
Attach a bracket to the wall board with the 2" screw provided

It is recommended that you locate a wall stud behind the furniture unit. If the wall stud is not used, a suitable "Hollow-Wall Anchor Bolt" (not provided) should be used in lieu of the wall stud.

Position the wall bracket on the stud about 1" below the top of furniture piece.

Mark the position for the bracket placement on the wall and drill a pilot hole into the stud.

Attach the bracket to the back of the furniture with the 2" screws provided.



Step 2

To attach a bracket to the Furniture Frame below to top with the short screws provided.

Move the furniture piece temporarily to its final position to the wall.

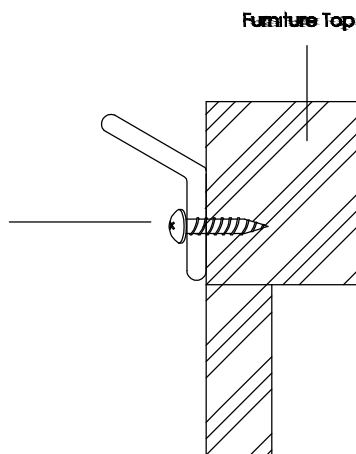
Mark the location of the bracket on the back of the furniture in relation to the previously mounted wall bracket.

Move the furniture piece away from the wall mounted bracket and place the other bracket on the mark position on the back of the furniture piece.

Drill a pilot hole as shown in the figure or into the back furniture frame.

Caution: Make sure you do not drill completely through the back of the furniture.

Attach the bracket to the back of the furniture with the 5/8" screws provided.



Step 3

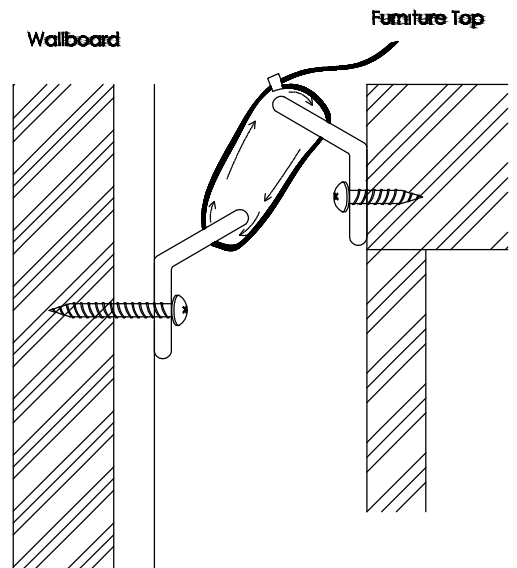
To Attach the safety strap

Move the furniture back to its final position.

Thread the safety strap through both of the mounted brackets as shown in the illustration.

Tighten the strap unit snug.

Do not over tighten.



IMPORTANT Make sure the brackets are firmly attached to the wall stud and furniture frame and the safety strap is snug.

Warning: This product is not to be a substitute for proper parental supervision which is the only proper deterrent to prevent improper use of this unit. The manufacturer assumes no liability for improper installation or excessive loads placed on the safety straps, bracket or mounting screws. This hardware will not insure against tipping.

Note: For taller or heavier pieces of furniture, two safety brackets may be installed.

This sticker was stucked at one of the DRAWER LEFT PANEL(19).

⚠ WARNING	
	Children have died from furniture tipover. To reduce the risk of furniture tipover: <ul style="list-style-type: none">• ALWAYS install tipover restraint provided.• NEVER put a TV on this product.• NEVER allow children to stand, climb or hang on drawers, doors, or shelves.• NEVER open more than one drawer at a time.• Place heaviest items in the lowest drawers. <p><i>This is a permanent label. Do not remove!</i></p>
	

Place the drawer which stucked a warning label in the top as shown.

