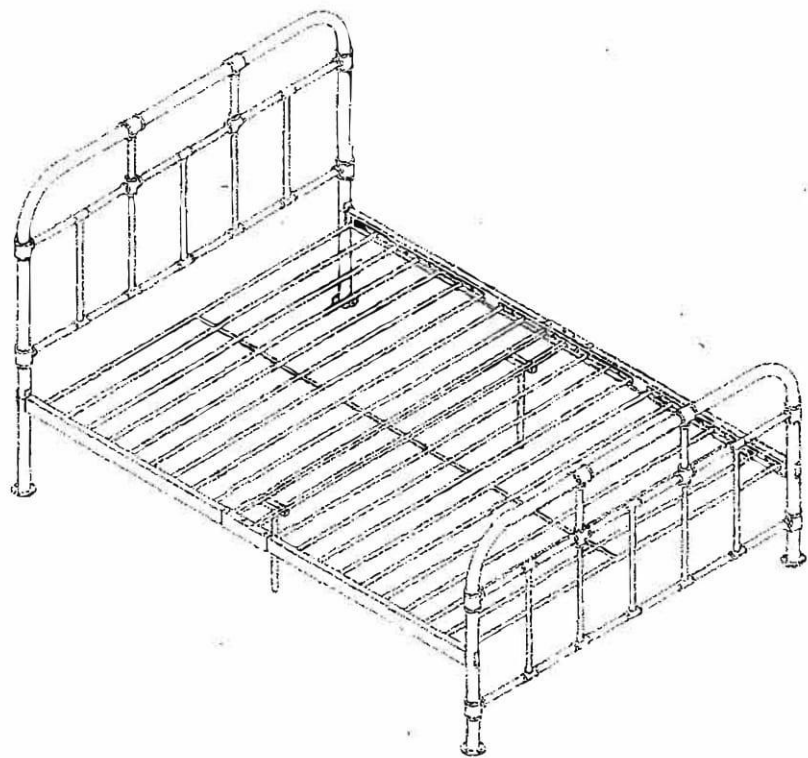


ASSEMBLY INSTRUCTIONS



Do not tighten screws until completely assembled.

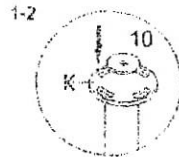
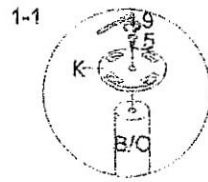
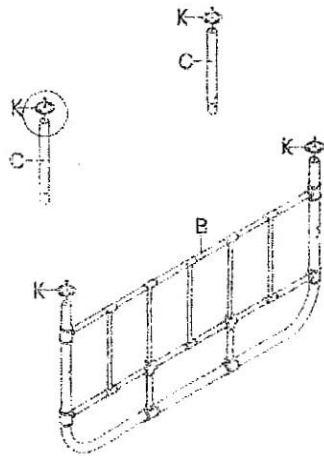
PARTS IDENTIFICATION

A		1pc	E		2
B		1pc	F		2
C		2pcs	G		2
D		2pcs	H		2
			I		1
			J		2
			K		4

HARDWARE LIST

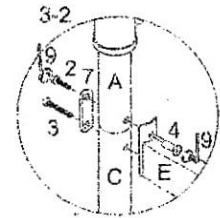
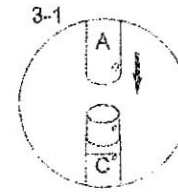
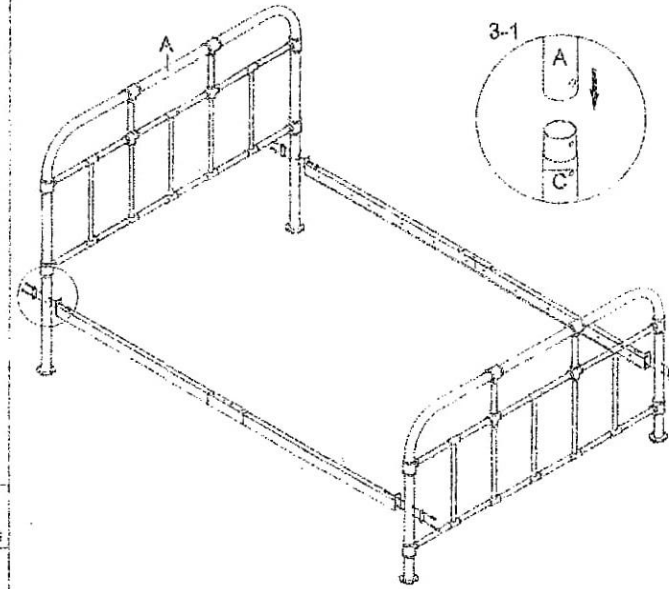
1		M6x15	20pcs	2		M6x30	8pcs	3		M6x60	4
4		M6x27	4pcs	5		M6x25	4pcs	6		M8x15	4
7			4pcs	8		5x5	1pc	9		4x4	4
10		∅40x1.5	4pcs								

STEP 1.



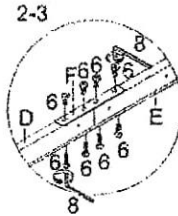
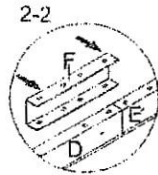
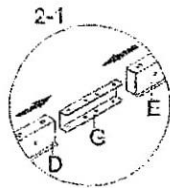
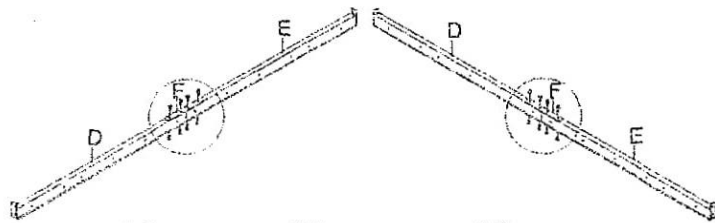
5		4pcs
M6x25		4pcs
10		4pcs
Ø40x1.5		

STEP 3.



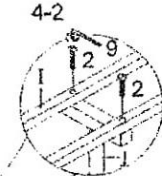
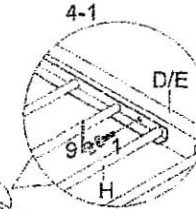
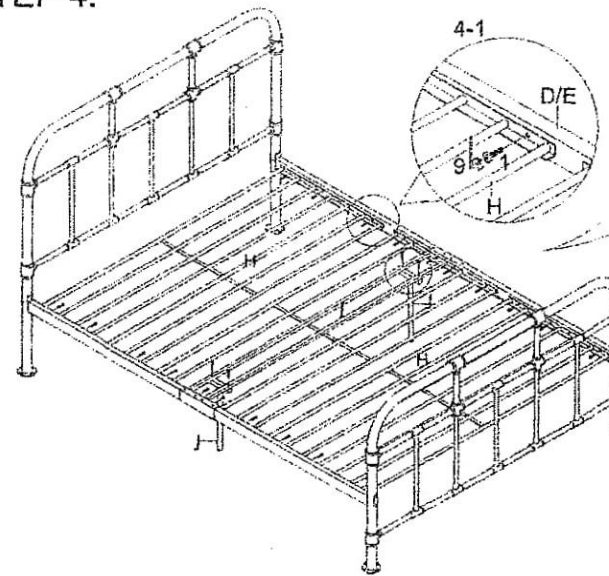
2		4pcs
M6x30		4pcs
3		4pcs
M6x60		4pcs
4		4pcs
M6x27		4pcs
7		4pcs

STEP 2.



6		16pcs
M8x15		

STEP 4.



1		20pcs
M6x15		
2		4pcs
M6x30		