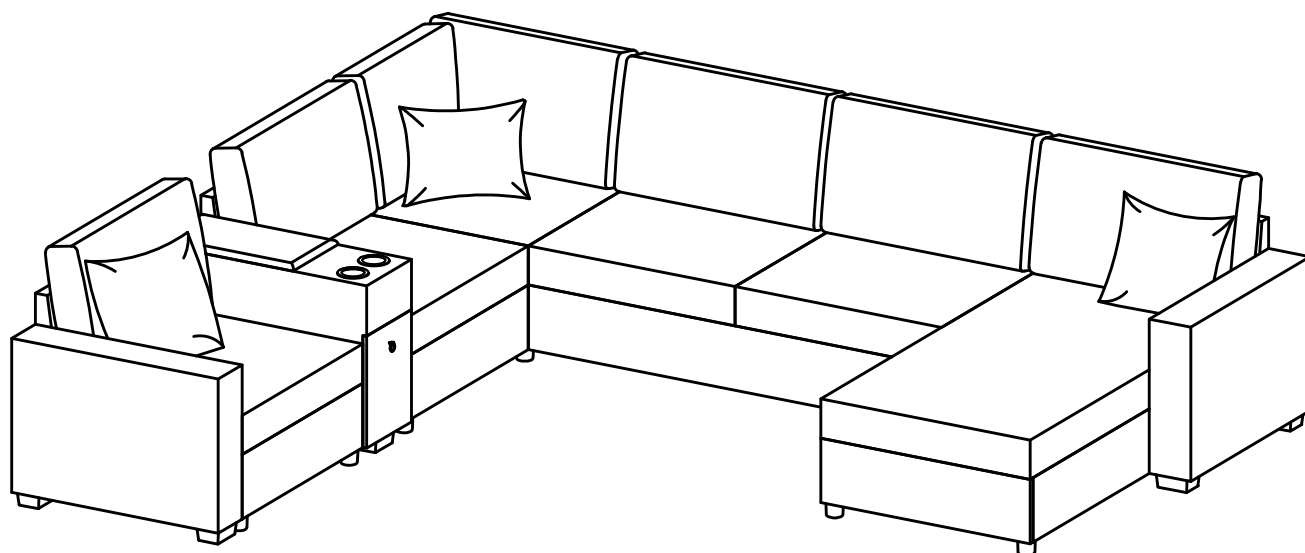
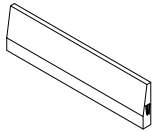
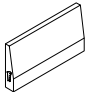
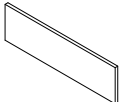
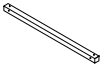
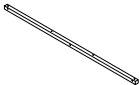
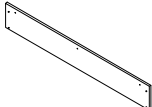
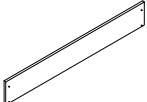
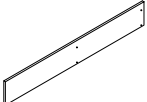


# ASSEMBLY INSTRUCTION

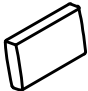
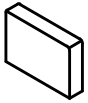
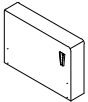
ITEM NO.: N719P380102 - N719P380103 -N719P380104 -N719P380105 -N719P380106



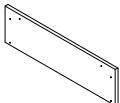
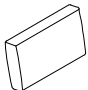
**N719P380102 -COMPONENT LIST**

NO.	DRAWING	QTY	DESCRIPTION
(A)		1	Long Backrest
(B)		2	Short Backrest
(F)		2	Short Chaise Rails
(H)		4	Short Support Rails
(H2)		4	Long Support Rails
(G)		2	Love Seat Rails
(I)		1	Left Chaise Rail
(J)		1	Right Chaise Rail


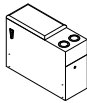
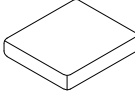
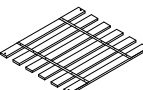

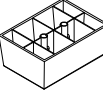
**N719P380103 -COMPONENT LIST**

NO.	DRAWING	QTY	DESCRIPTION
(K)		2	Back Cushions
(S)		1	Chaise Arm
(T)		1	Arm

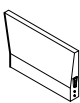
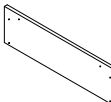
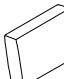
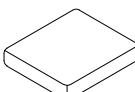
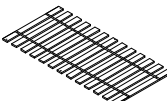
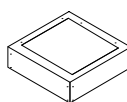
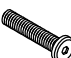
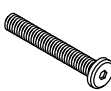
**N719P380104 -COMPONENT LIST**

NO.	DRAWING	QTY	DESCRIPTION
(E)		1	Short Rail
(K)		2	Back Cushions

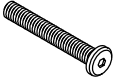








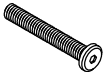





**N719P380104 -COMPONENT LIST**

NO.	DRAWING	QTY	DESCRIPTION
Q		3	Pillow
R		1	Center Arm
O		1	Seat Cushion
W		1	Slat
1		8	Round Legs
2		6	Square Legs

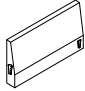
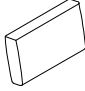
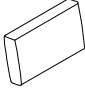
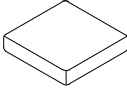
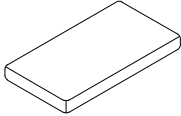
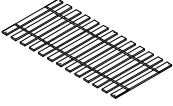
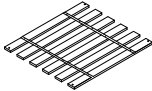
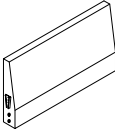
**N719P380105 -COMPONENT LIST**

NO.	DRAWING	QTY	DESCRIPTION
C		1	Angled Backrest
E		3	Short Rails
M		1	Angled Corner Back Cushion
O		3	Seat Cushion
U		1	Love Seat Slat
Y		1	Corner Frame
3		56	Bolt 5/16" x 20mm
4		54	Bolt 5/16" x 50mm

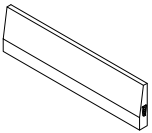
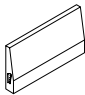
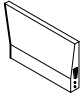
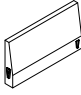
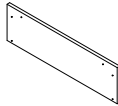
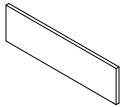
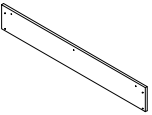
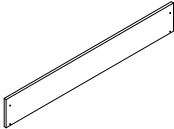
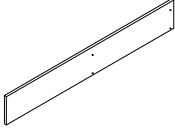
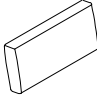
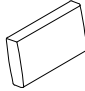
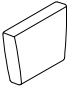
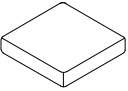
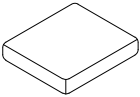
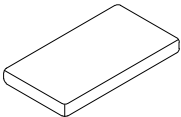

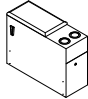
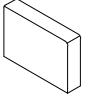
**N719P380105 -COMPONENT LIST**

NO.	DRAWING	QTY	DESCRIPTION
⑤		20	Bolt 1/4 " x 50mm
⑥		104	Flat Washer Ø8 5/16"
⑦		24	Flat Washer Ø6 1/4"
⑧		14	V Pads
⑨		1	V Pad
⑩		1	V Pad
⑪		1	Allen Key
⑫		4	Hex Nut 5/16"
⑬		1	Wrench
⑭		2	Bolt 5/16 " x 40mm
⑮		4	Bolt 1/4 " x 20mm
⑯		1	Allen Key
⑰		1	Vis 3/16" x 15mm
⑱		1	Flat Washer Ø5 3/16"
⑲		1	Handle Drawer

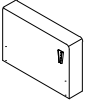
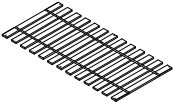
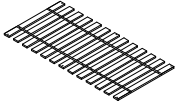
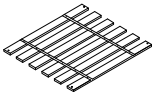
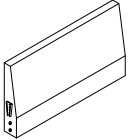
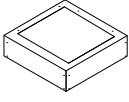
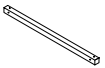
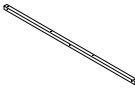
**N719P380106 -COMPONENT LIST**

NO.	DRAWING	QTY	DESCRIPTION
(D)		1	Corner Backrest
(K)		1	Back Cushion
(L)		1	Corner Back Cushion
(N)		1	Corner Seat Cushion
(P)		1	Chaise Seat Cushion
(V)		1	Chaise Slat
(W)		1	Slat
(X)		1	Chaise Backrest


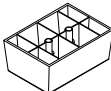
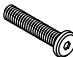
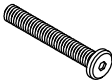
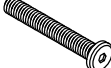


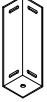

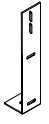
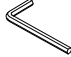

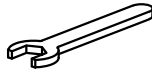
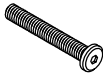


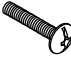


**PARTS LIST**

(A) 	(B) 	(C) 	(D) 	(E) 	(F) 
Long Backrest x 1 pc	Short Backrest x 2 pcs	Angled Backrest x 1 pc	Corner Backrest x 1 pc	Short Rails x 4 pcs	Short Chaise Rails x 2 pcs
(G) 	(I) 	(J) 	(K) 	(L) 	(M) 
Love Seat Rails x 2 pcs	Left Chaise Rail x 1 pc	Right Chaise Rail x 1 pc	Back Cushions x 5 pcs	Corner Back Cushion x 1 pc	Angled Corner Back Cushion x 1 pc
(N) 	(O) 	(P) 	(Q) 	(R) 	(S) 
Corner Seat Cushion x 1 pc	Seat Cushion x 4 pcs	Chaise Seat Cushion x 1 pc	Pillow x 3 pc	Center arm x 1 pc	Chaise Arm x 1 pc

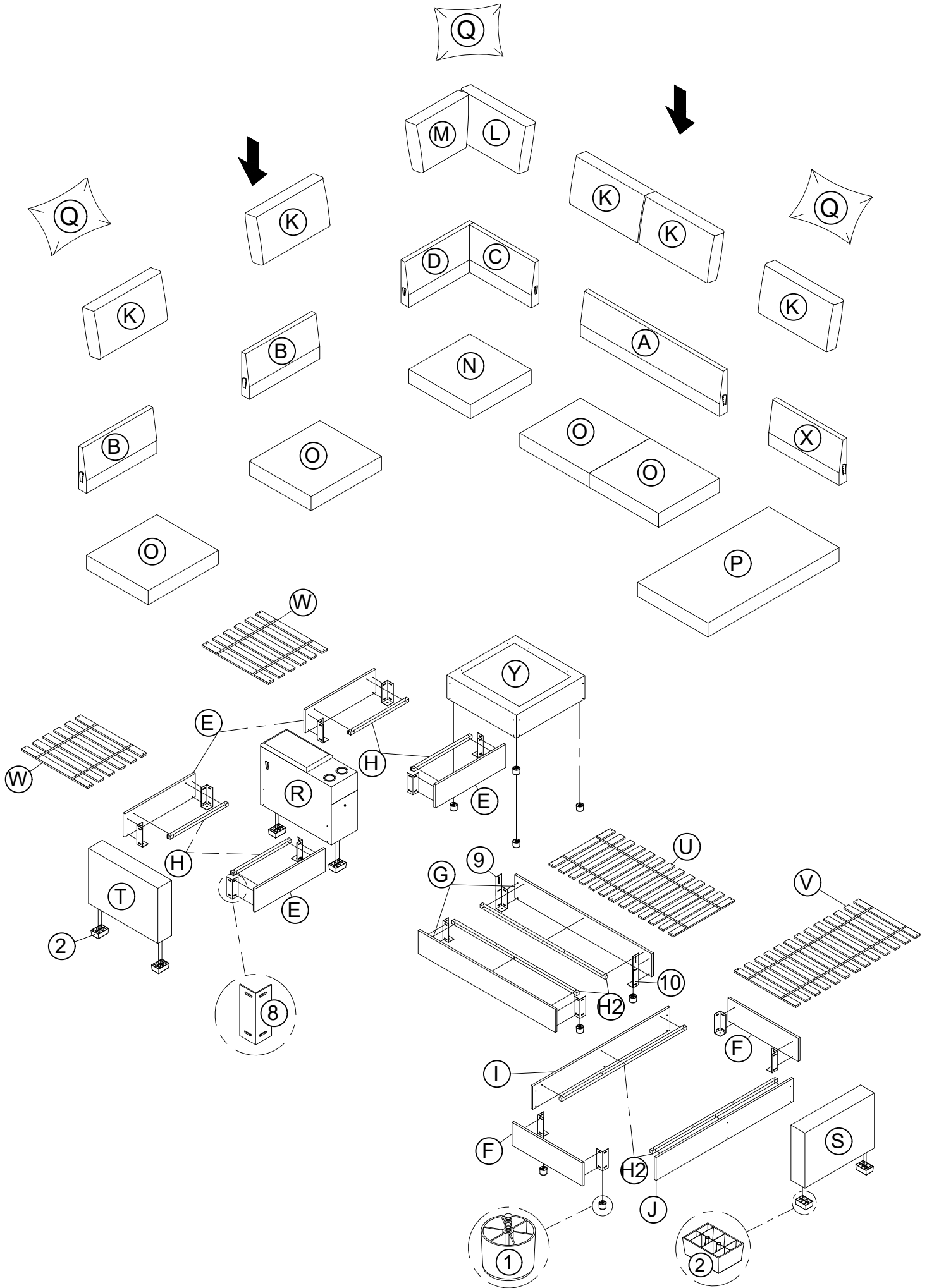
# PARTSLIST

					
<p>Arm x 1 pc</p>	<p>Love Seat Slat x 1 pc</p>	<p>Chaise Slat x 1 pc</p>	<p>Slat x 2 pcs</p>	<p>Chaise Backrest x 1 pc</p>	<p>Corner Frame x 1 pc</p>
					
<p>Short Support Rails x 4 pcs</p>	<p>Long Support Rails x 4 pcs</p>				

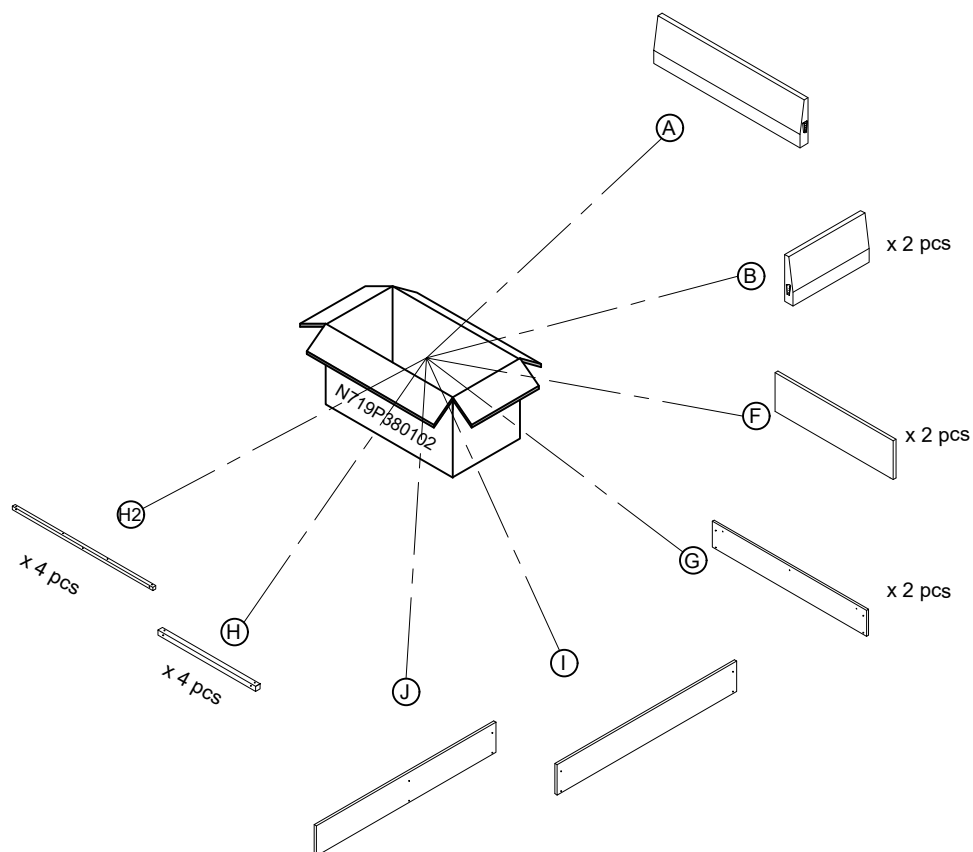
# HARDWARE

					
<p>Round Legs x 8 pcs</p>	<p>Square Legs x 6 pcs</p>	<p>Bolt 5/16" x 20mm x 56 pcs</p>	<p>Bolt 5/16" x 50mm x 54 pcs</p>	<p>Bolt 1/4" x 50mm x 20 pcs</p>	<p>Flat Washer Ø8 5/16" x 104 pcs</p>
					
<p>Flat Washer Ø6 1/4" x 24 pcs</p>	<p>V Pads x 14 pcs</p>	<p>V Pad x 1 pc</p>	<p>V Pad x 1 pc</p>	<p>Allen Key x 1 pc</p>	<p>Hex Nut 5/16" x 4 pcs</p>
					
<p>Wrench x 1 pc</p>	<p>Bolt 5/16" x 40mm x 2 pcs</p>	<p>Bolt 1/4" x 20mm x 4 pcs</p>	<p>Allen Key x 1 pc</p>	<p>Vis 3/16" x 15mm x 1 pc</p>	<p>Flat Washer Ø5 3/16" x 1 pc</p>
					
<p>Handle Drawer x 1 pc</p>					

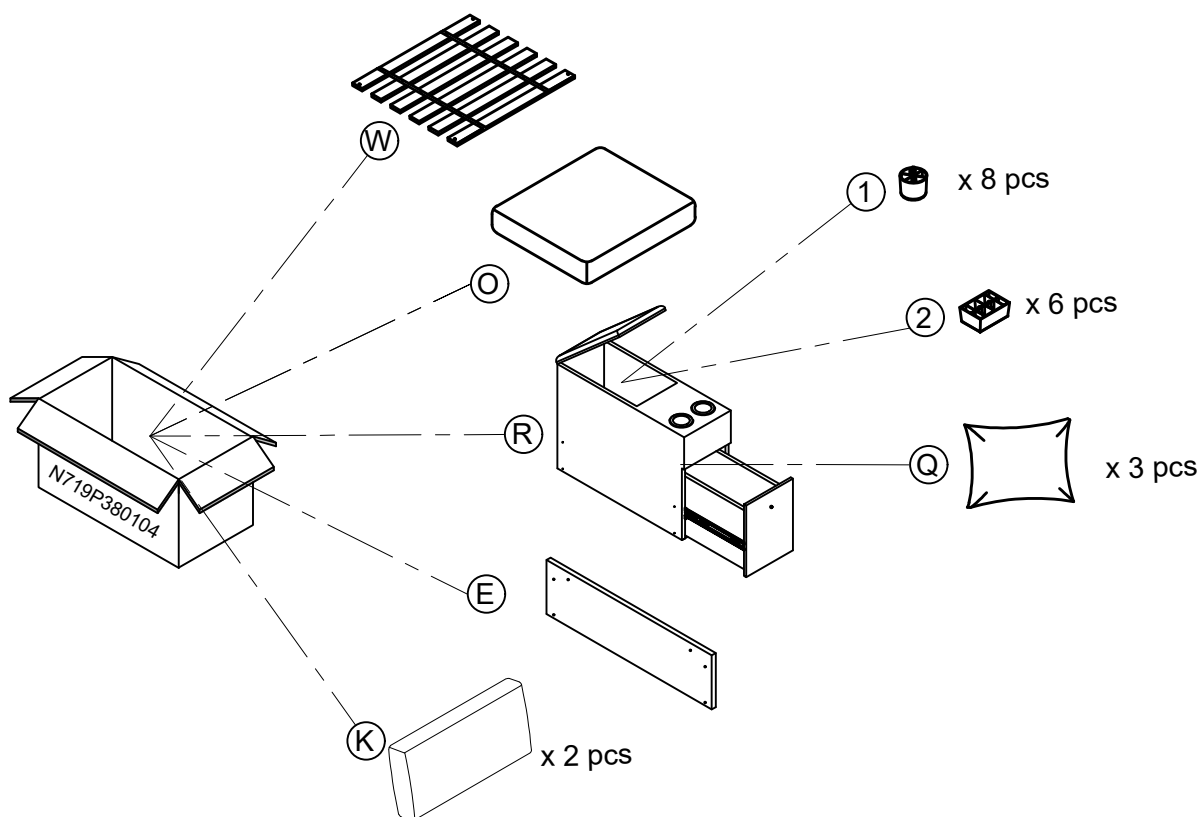
# PARTSLIST



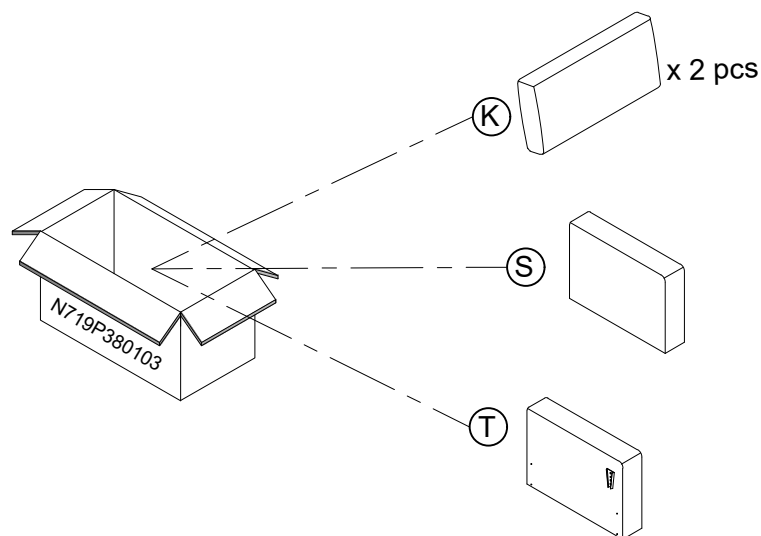
\* Take out the (A) (B) (F) (G) (I) (J) (H) (H2)



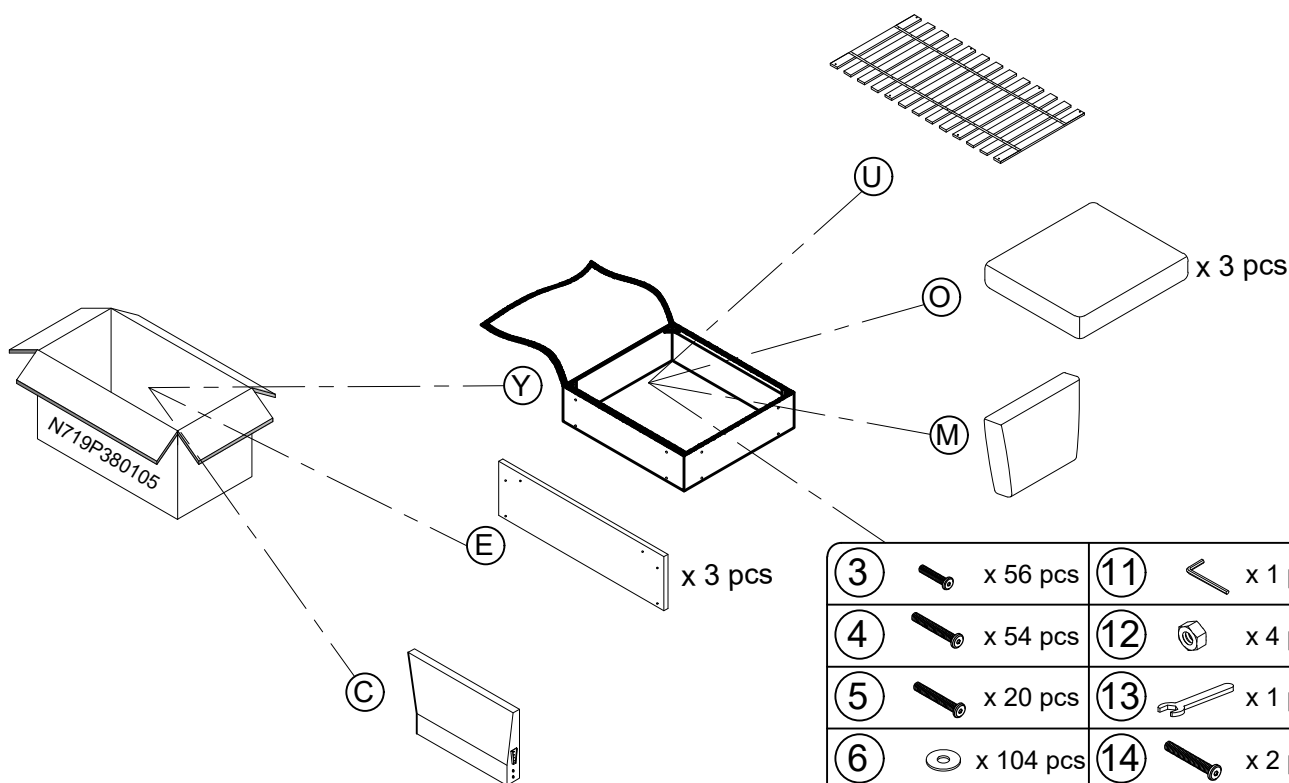
\* Take out the (W) (O) (R) (E) (K) (Q) (1) (2)



\* Take out the (K) (S) (T)

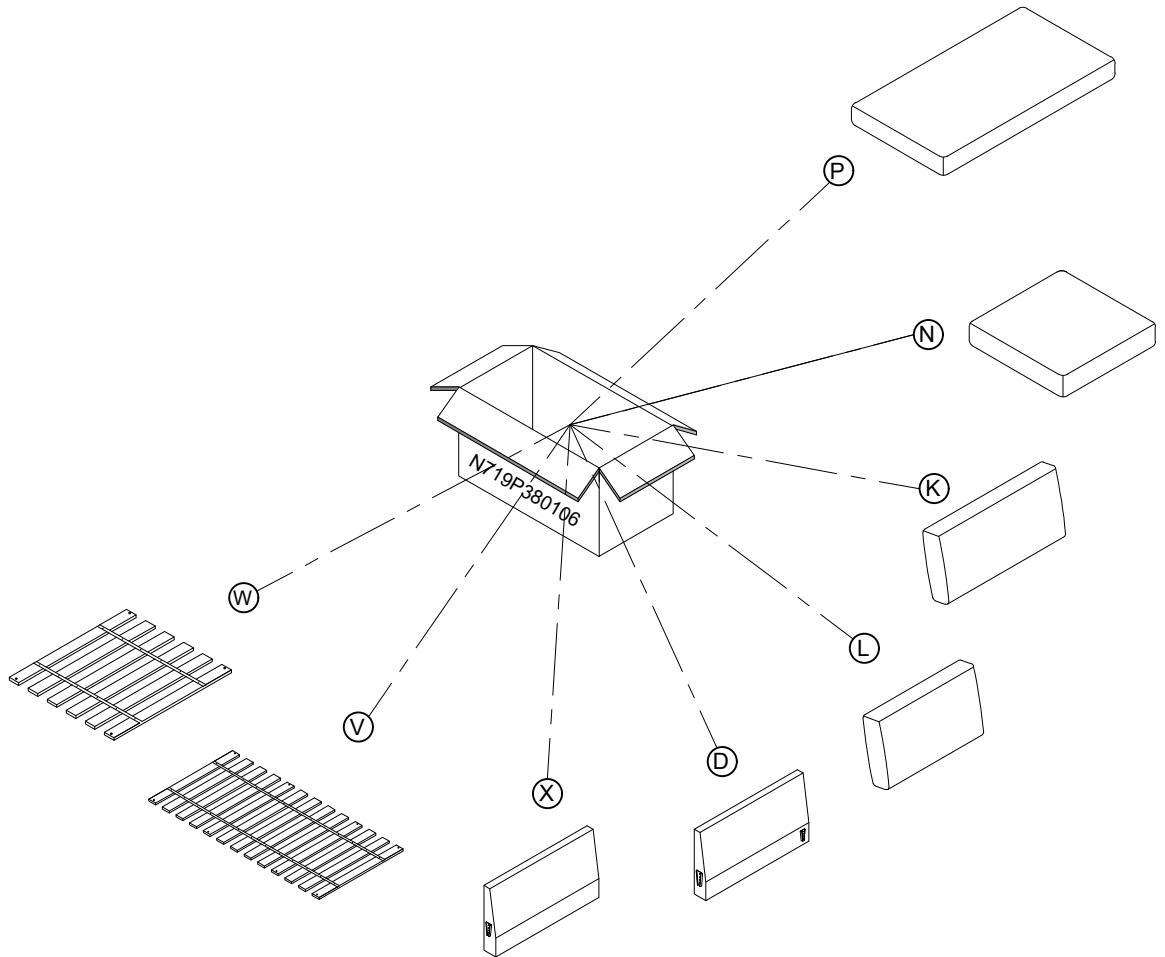


\* Take out the (Y) (E) (C) (U) (O) (M) (3) (4) (5) (6) (7) (8) (9) (10) (11) (12)  
(13) (14) (15) (16) (17) (18) (19)

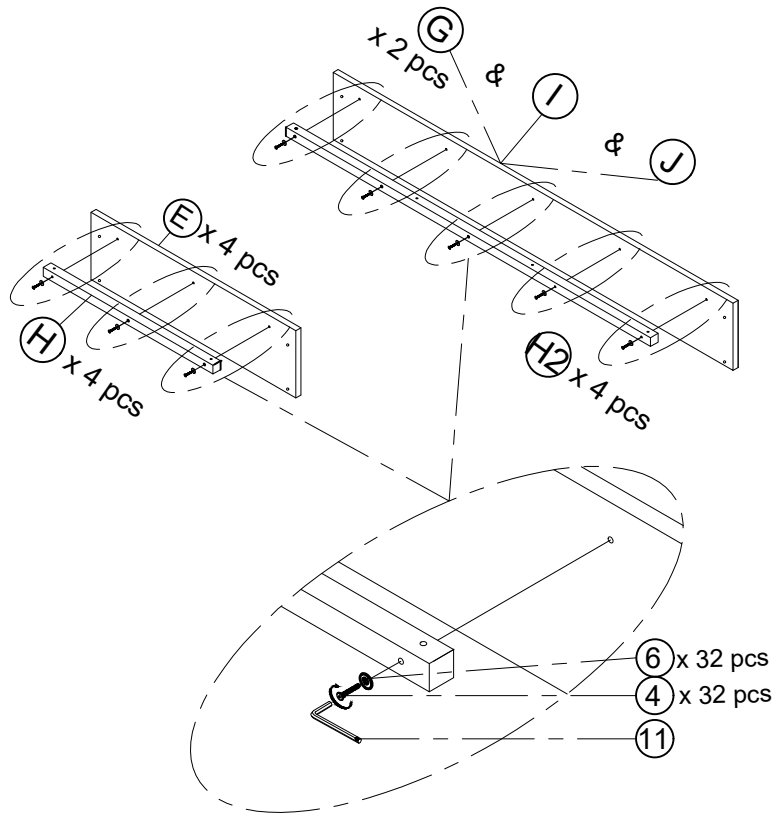


(3)	x 56 pcs	(11)	x 1 pc
(4)	x 54 pcs	(12)	x 4 pcs
(5)	x 20 pcs	(13)	x 1 pc
(6)	x 104 pcs	(14)	x 2 pcs
(7)	x 24 pcs	(15)	x 4 pcs
(8)	x 14 pcs	(16)	x 1 pc
(9)	x 1 pc	(17)	x 1 pc
(10)	x 1 pc	(18)	x 1 pc
		(19)	x 1 pc

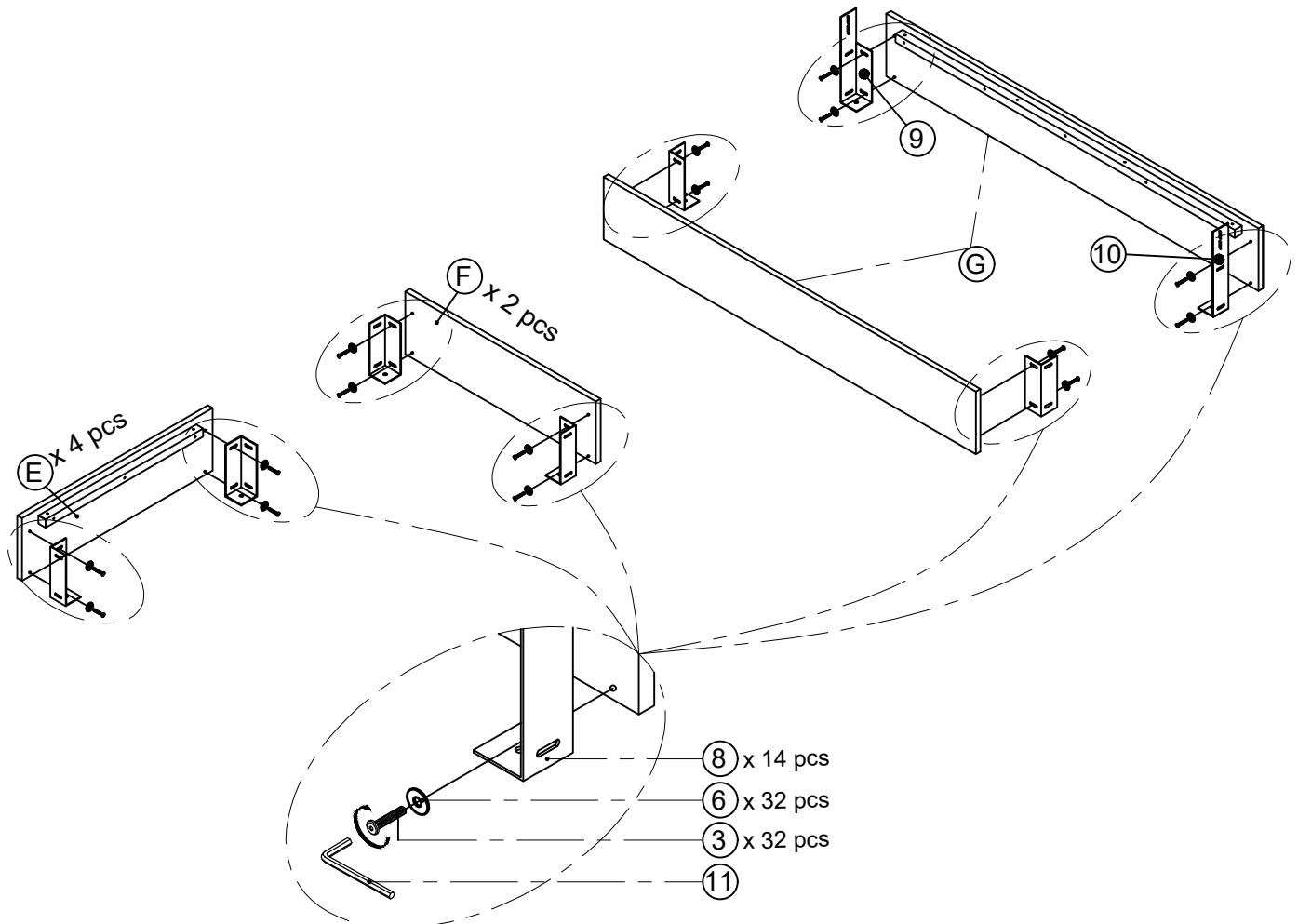
\* Take out the (P) (N) (K) (L) (D) (X) (V) (W)



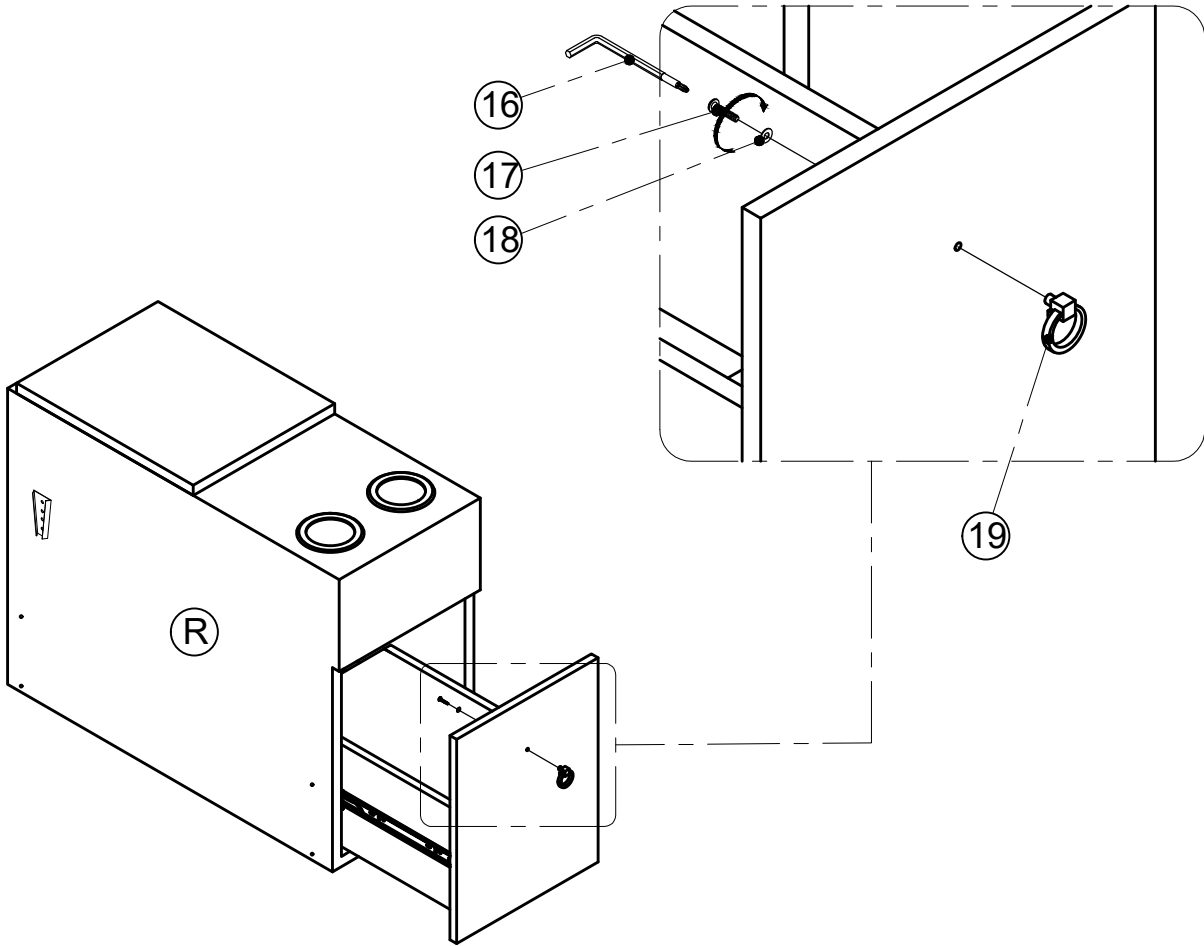
**STEP 1:**



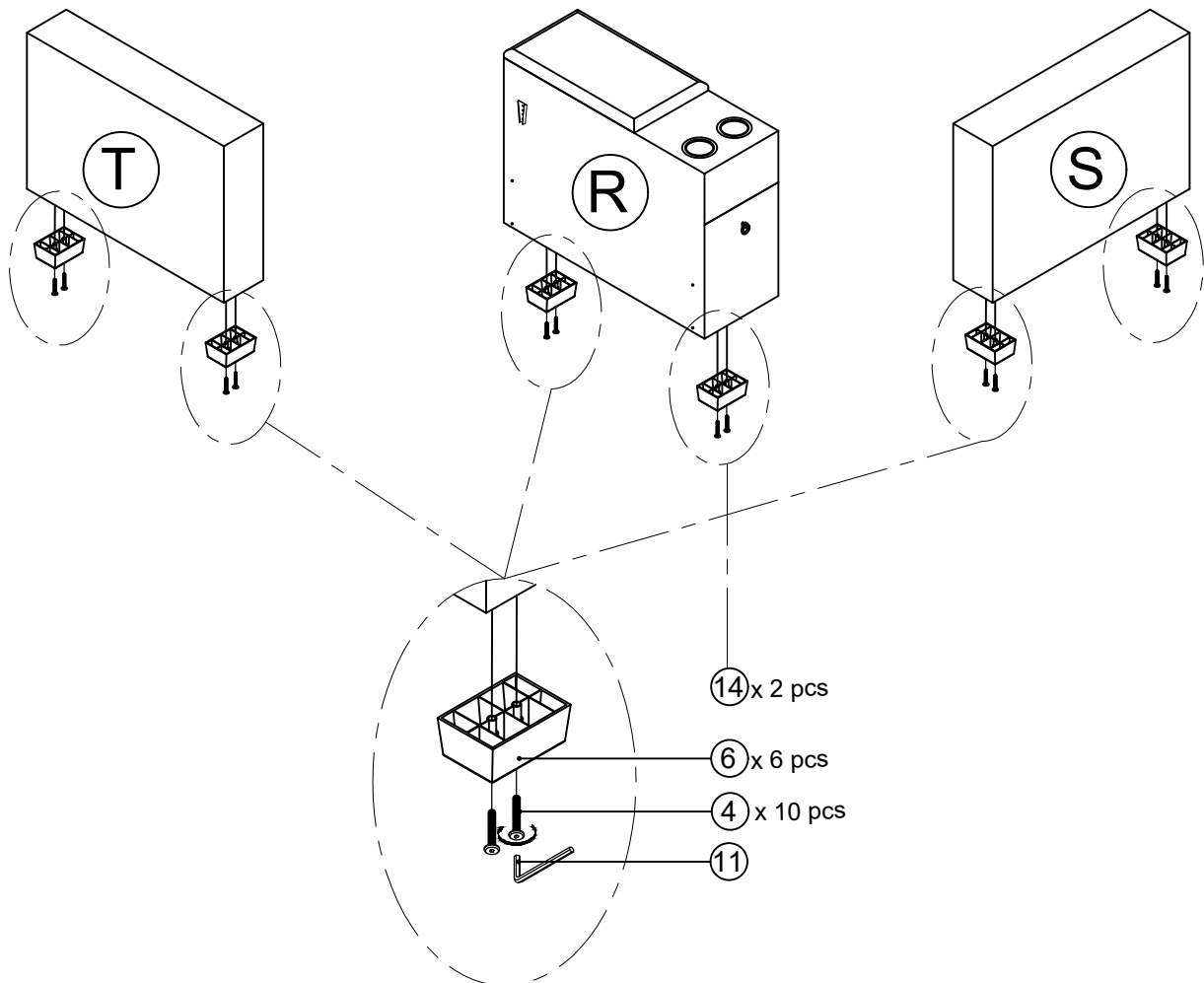
**STEP 2:**



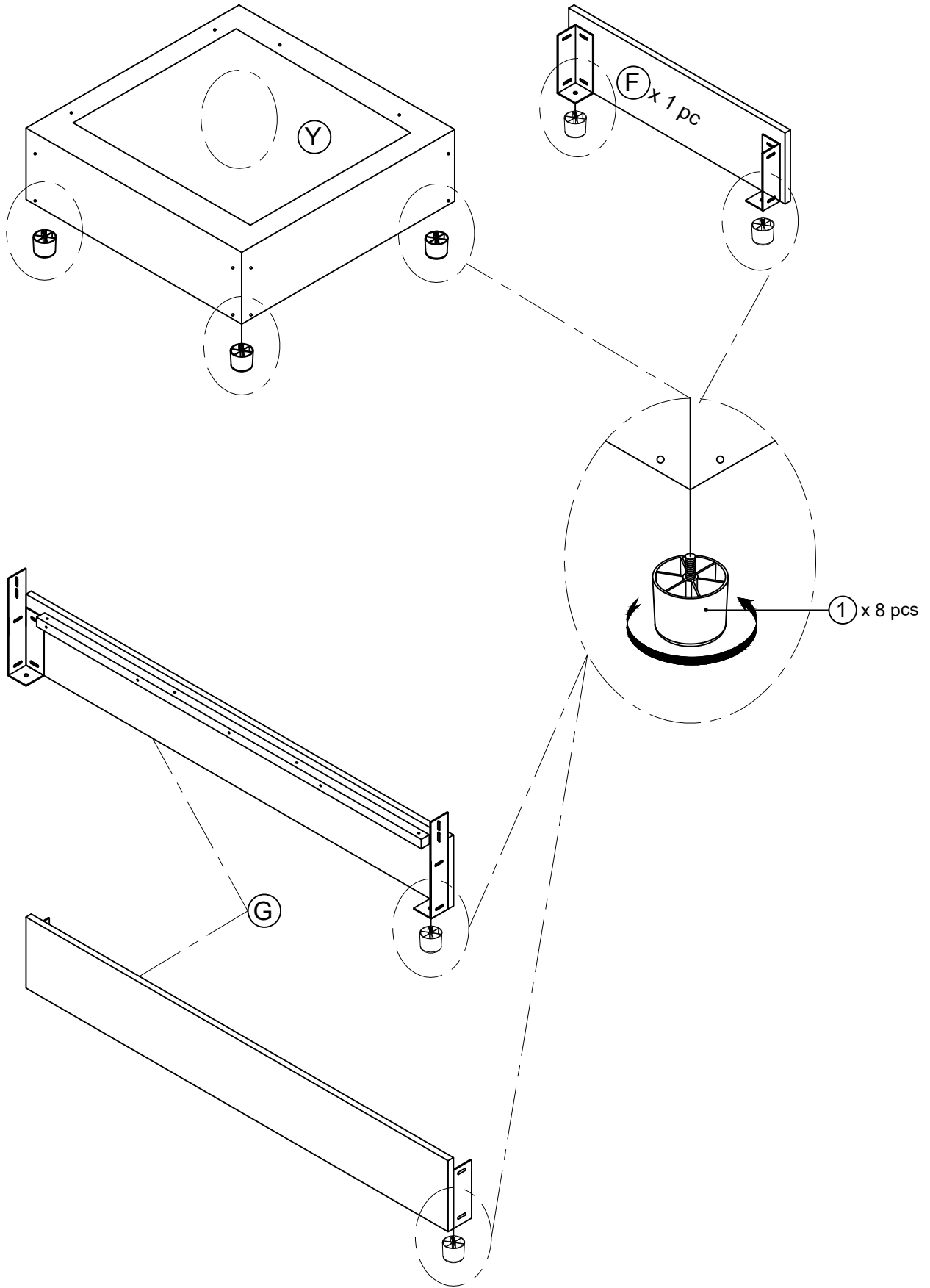
**STEP 3:**



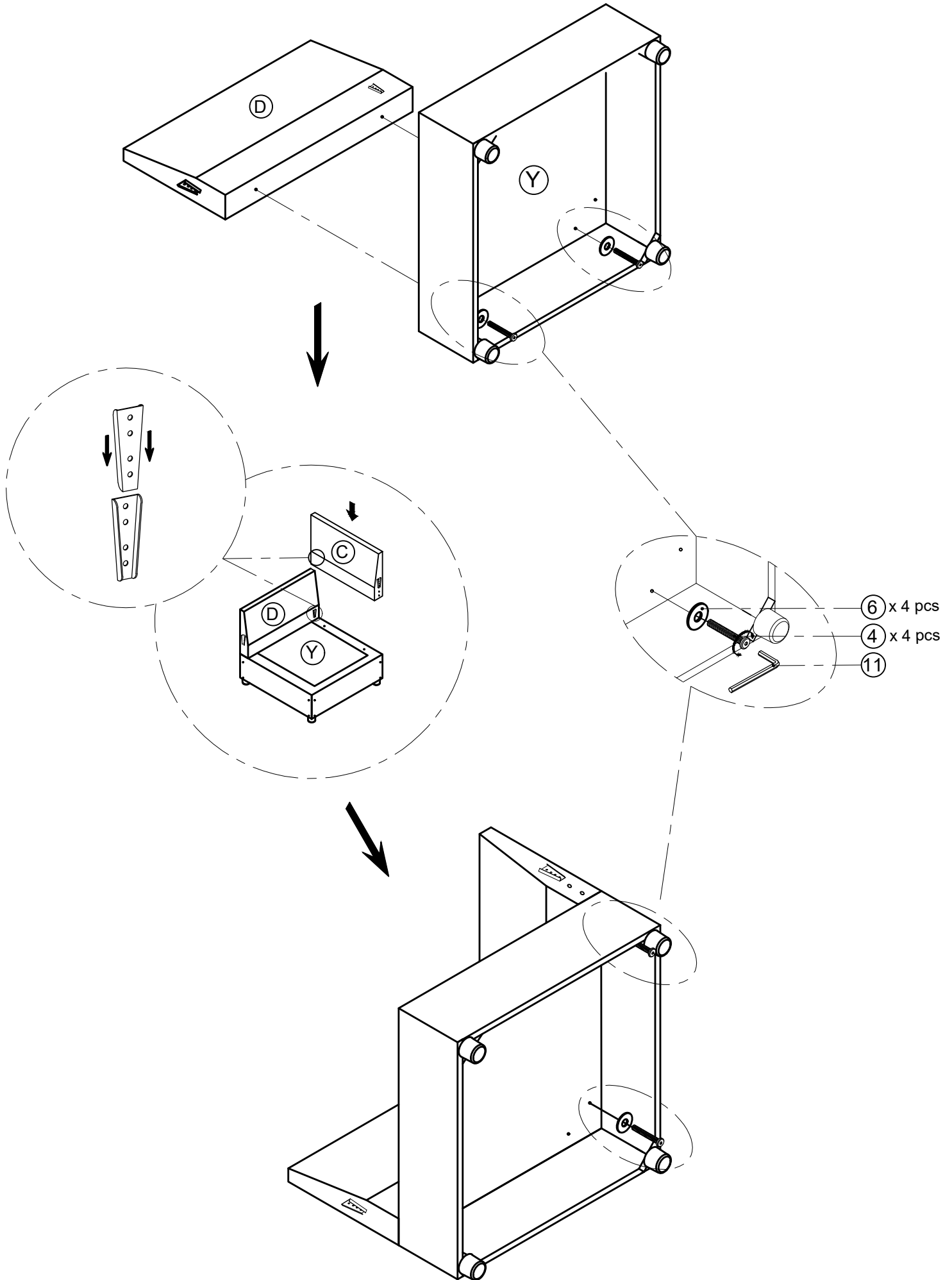
**STEP 4:**



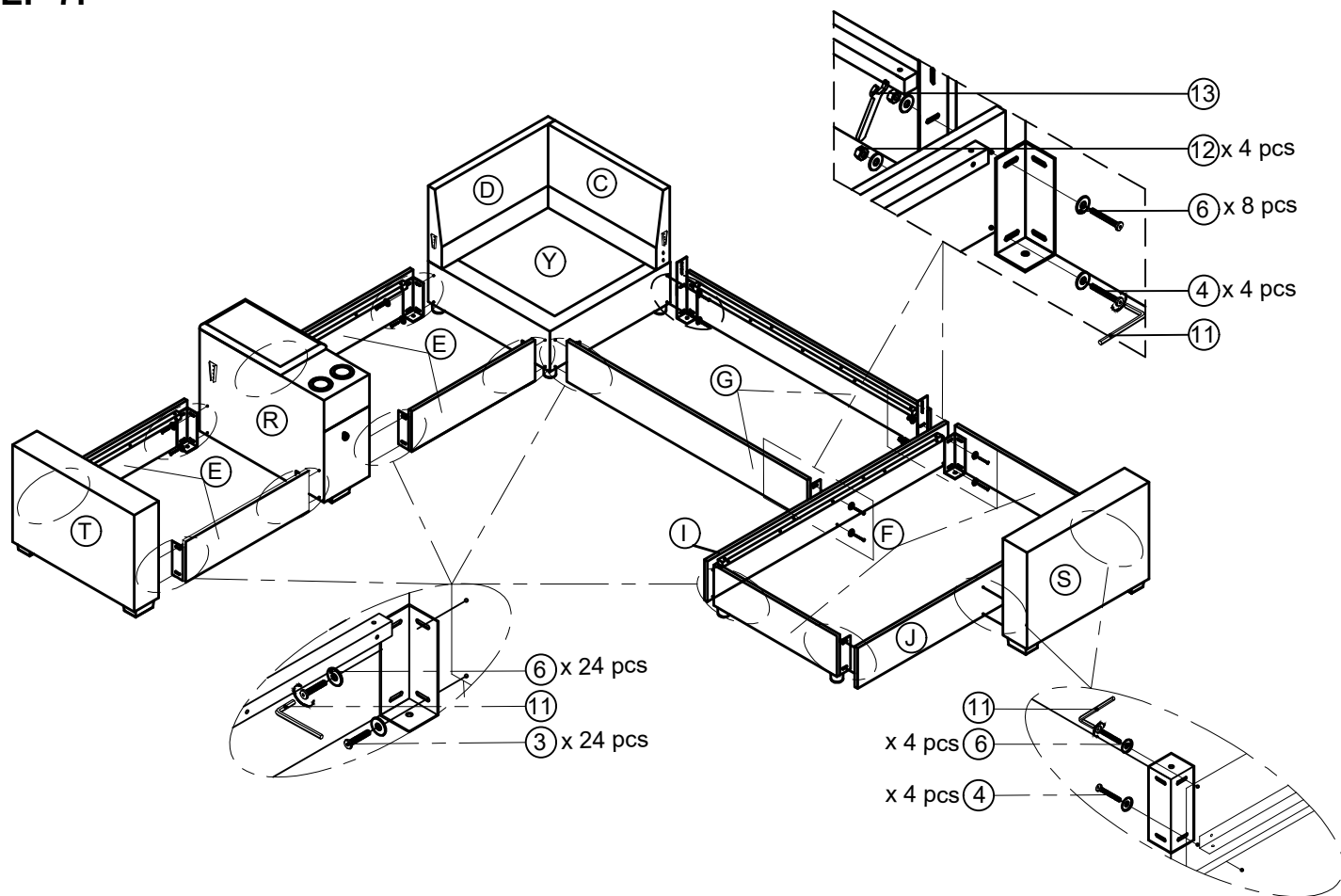
**STEP 5:**



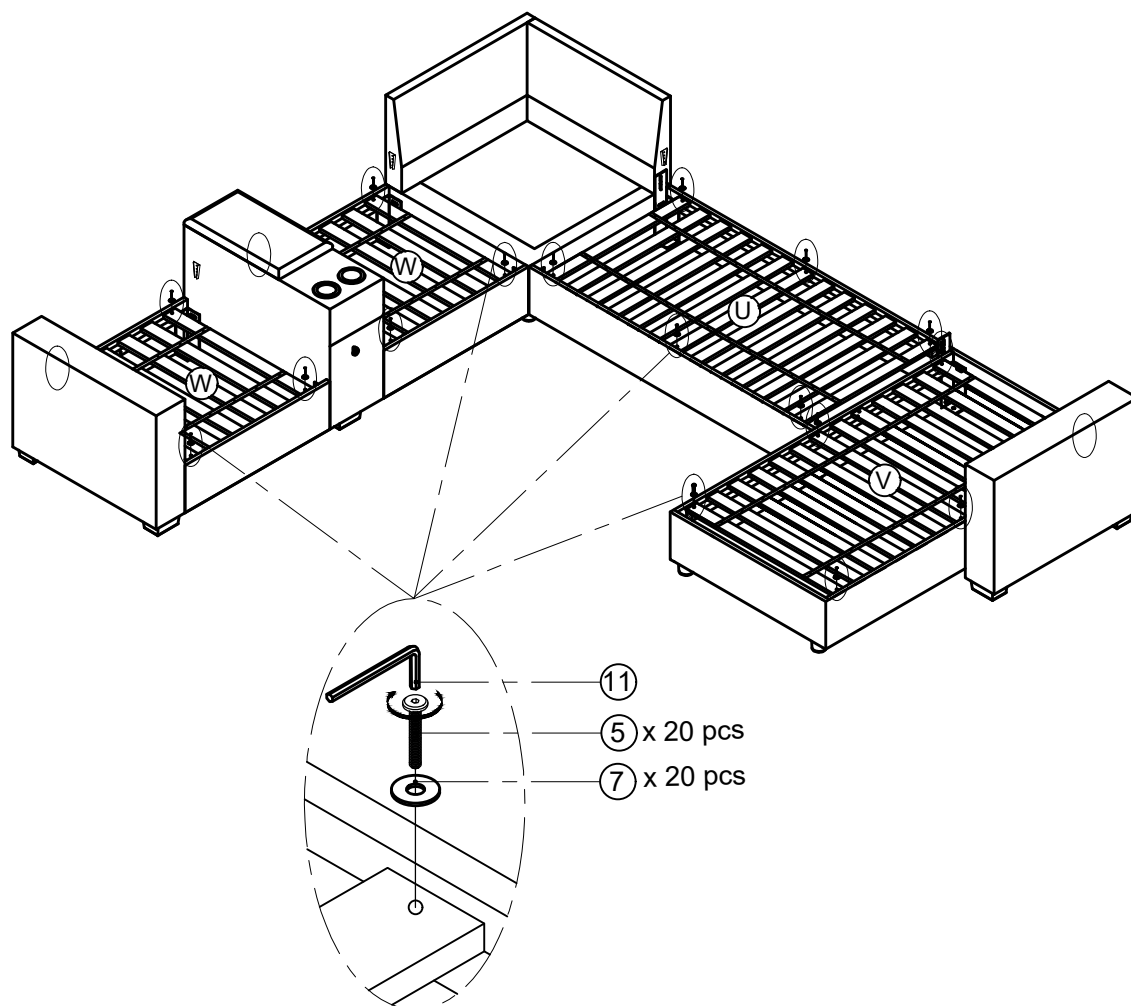
**STEP 6:**



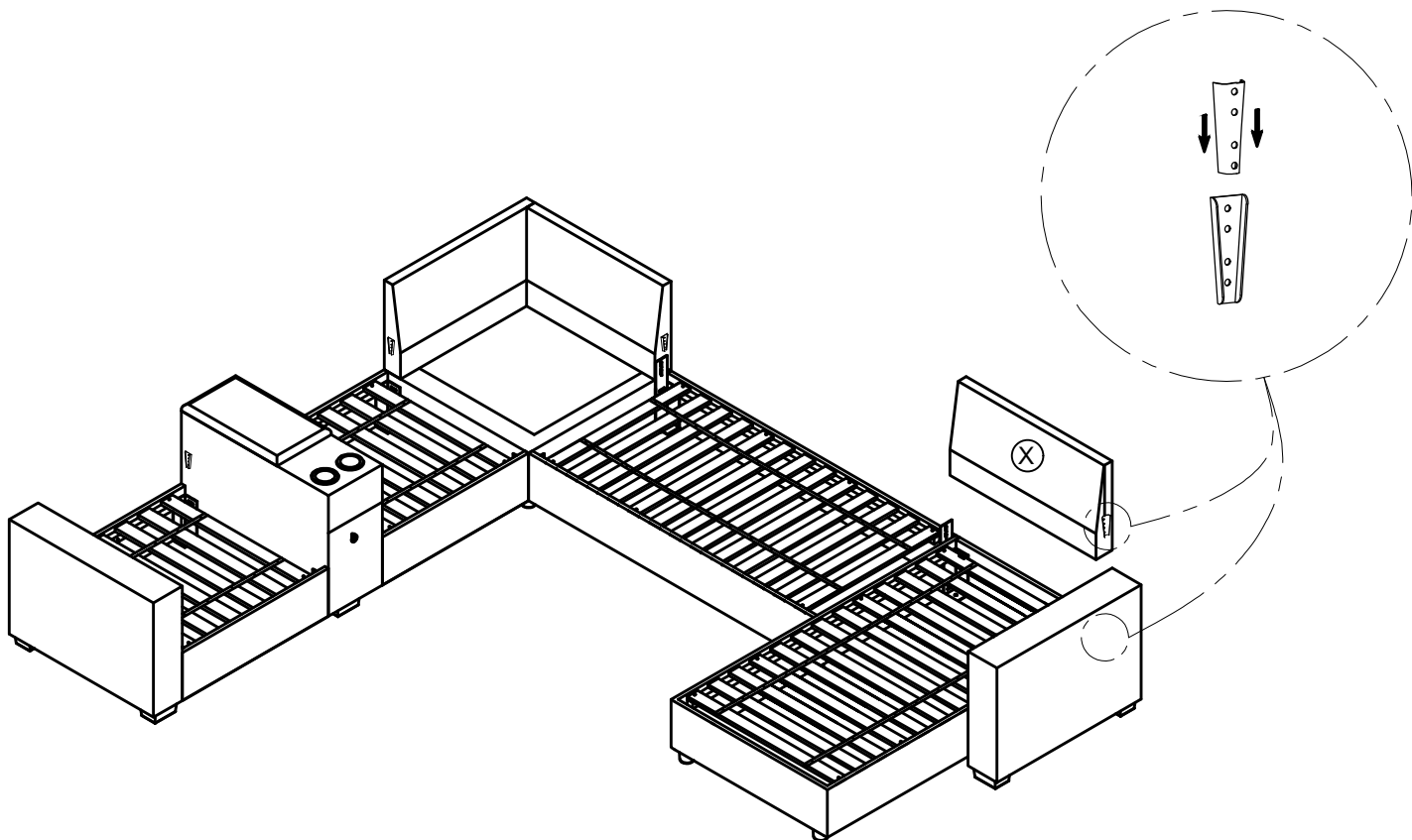
**STEP 7:**



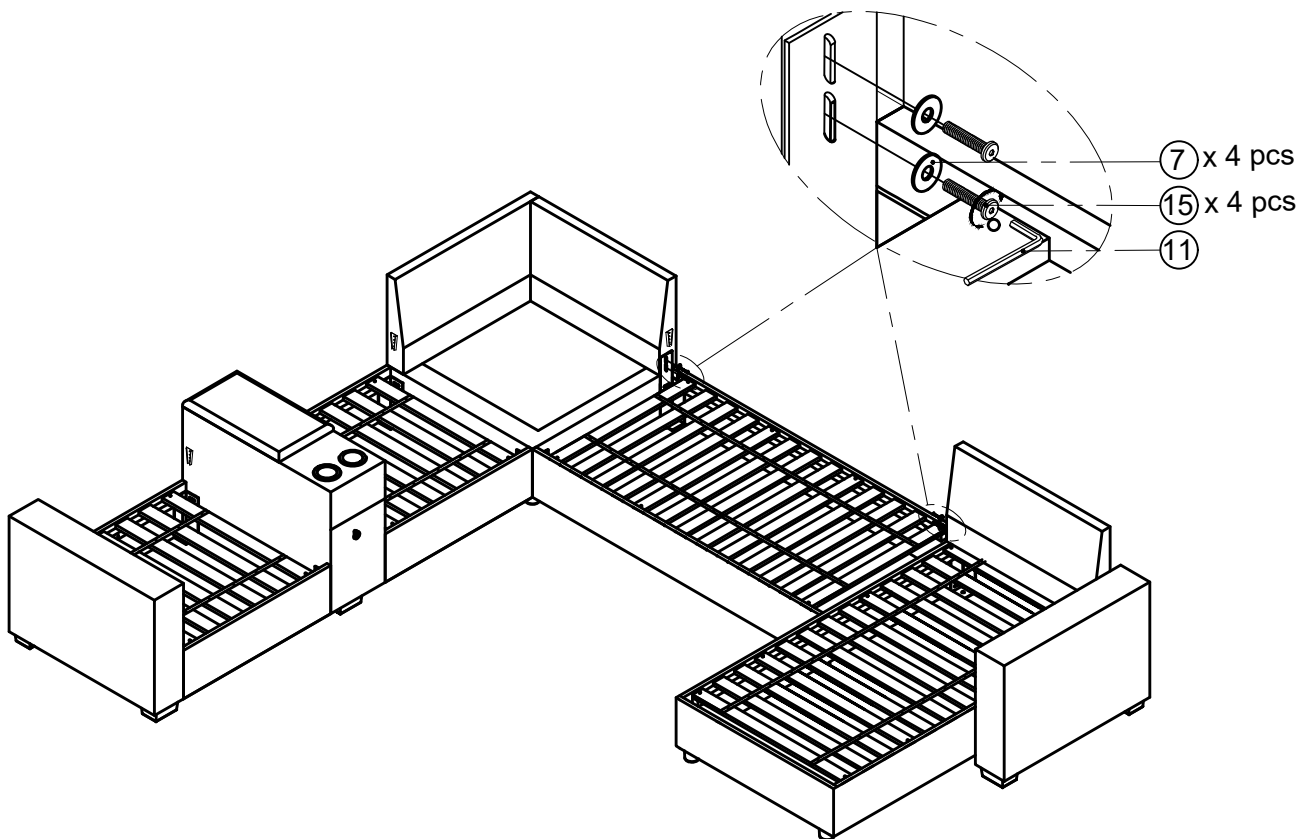
**STEP 8:**



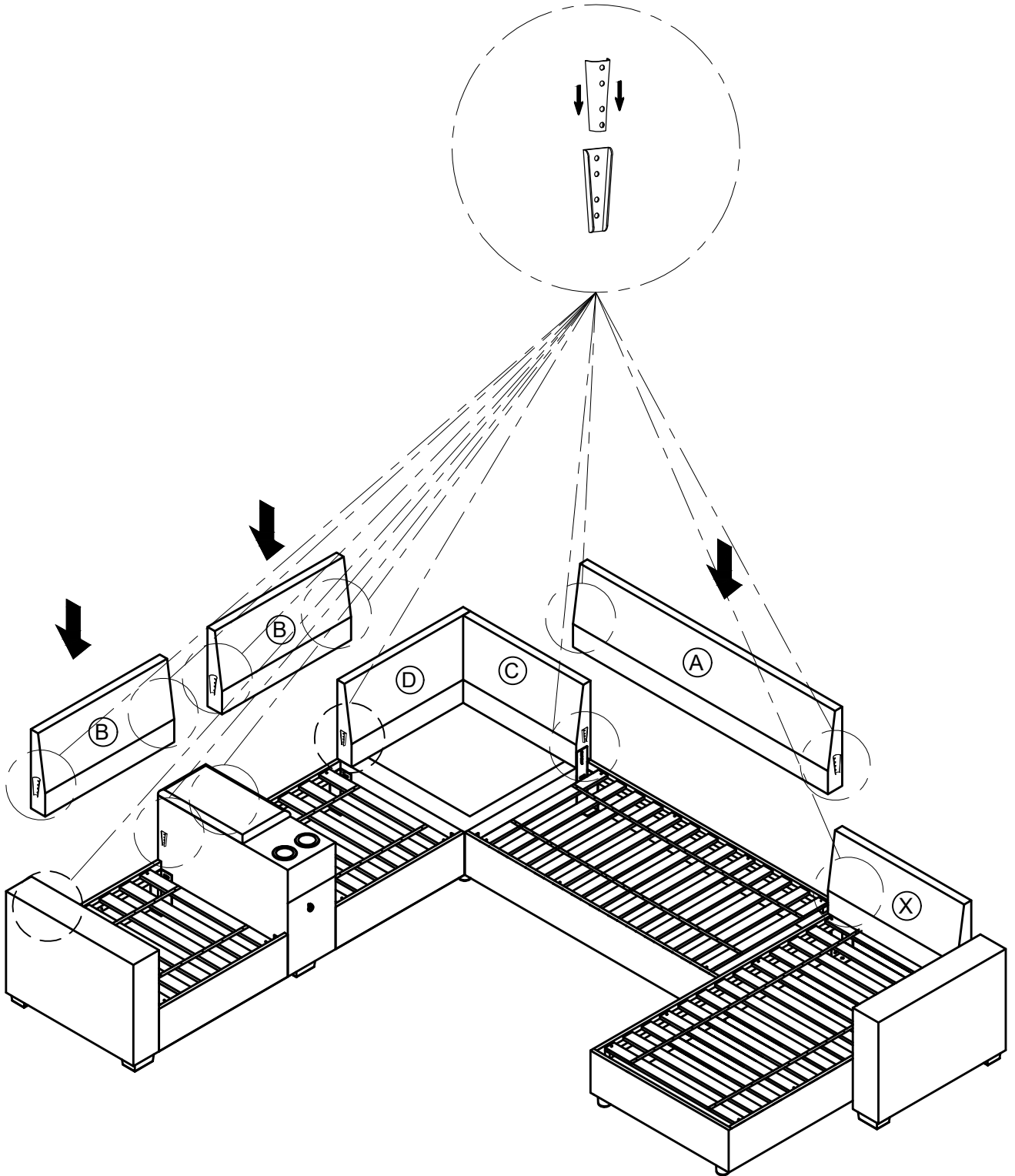
**STEP 9:**



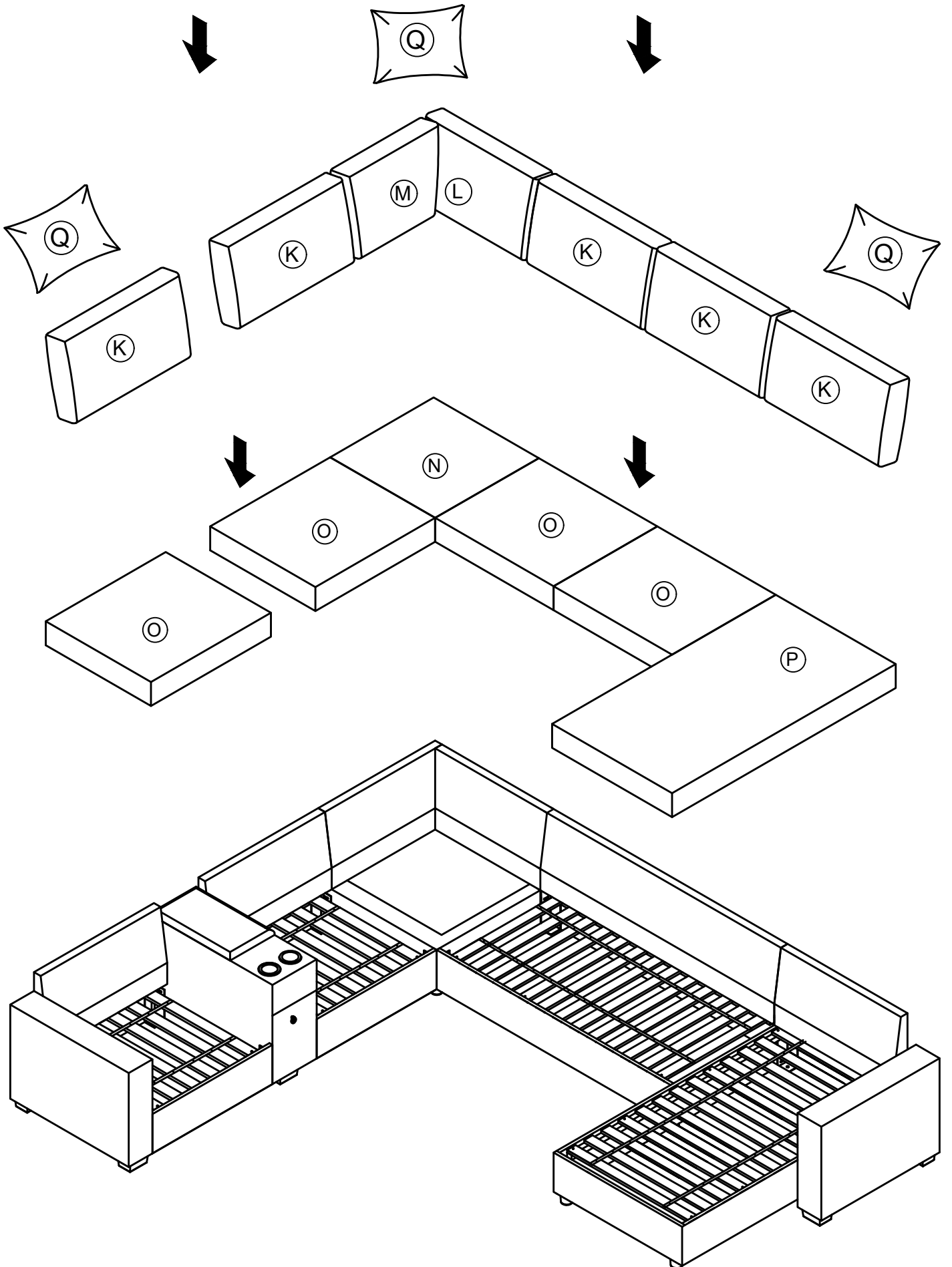
**STEP 10:**



**STEP 11:**



**STEP 12:**



## Helpful Hints

- Move your new furniture carefully, with two people lifting and carrying the unit to its new location.
- Your furniture can be disassembled and reassembled to move.
- Clean the product with a soft damp cloth. DO NOT use harsh chemicals or abrasive cleaners.

## COMPLETED

