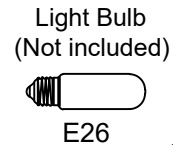
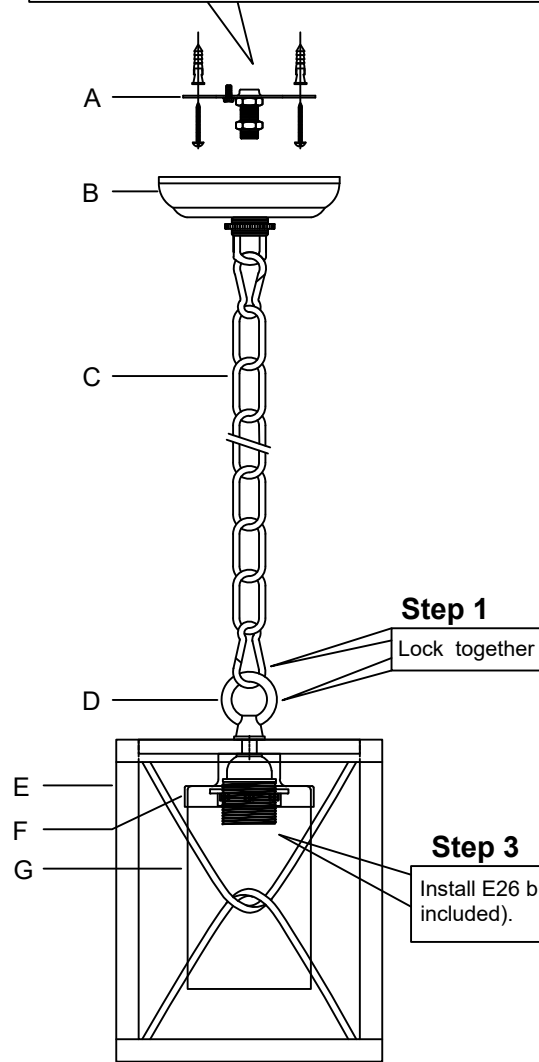


Assembly & Installation Instructions

Step 2

2A. Lock the crossbar to the junction box of the ceiling by using 2 pcs of 5/32 screws in the accessories bag.
 2B. Connect the wires. The hot/positive wire (+) has an "L" label on it. The other one is the negative wire (-). And the bare cooper is the ground wire.
 2C. Fix the cross bar to the wall with Crossbar Screws



(Rated 110-130V/60Hz, bulb 60W maximum.)

Warning: If any special control devices are used with this fixture, follow the instructions carefully to assure full compliance with N.E.C.requirements. If there are any questions, contact a qualified electric contractor.

Warning: California Residents Proposition 65 This product contains lead, a chemical known to the state of California to cause cancer and birth defects or other reproductive harm. Do not place the product in your mouth. Wash your hands after handling this product.

Caution: It is highly recommended to get an electrician to install this light. Please make sure to turn the electricity off at the main circuit breaker before beginning installation. All glass is fragile. Use care when handling glass component(s) and/or lamp(s).

WIRE CONNECTION DIAGRAM

Wires meeting safety standards are required to connect the electrical circuit.

CAUTION: Risk of fire



Please read all instructions carefully. Before you proceed to install, make sure that the power supply is turned off and remains off until installation is completed.

PARTS INCLUDED

Code	Part Description	QTY
A	Mounting Bracket	1 PCS
B	Canopy	1 PCS
C	Sling Chain	1 PCS
D	Lifting Ring	1 PCS
E	Square Iron Frame	1 PCS
F	Lamp Holder Group	1 PCS
G	Glass Lampshade	1 PCS