











Assembly Instructions

Caution: You must read this before you proceed

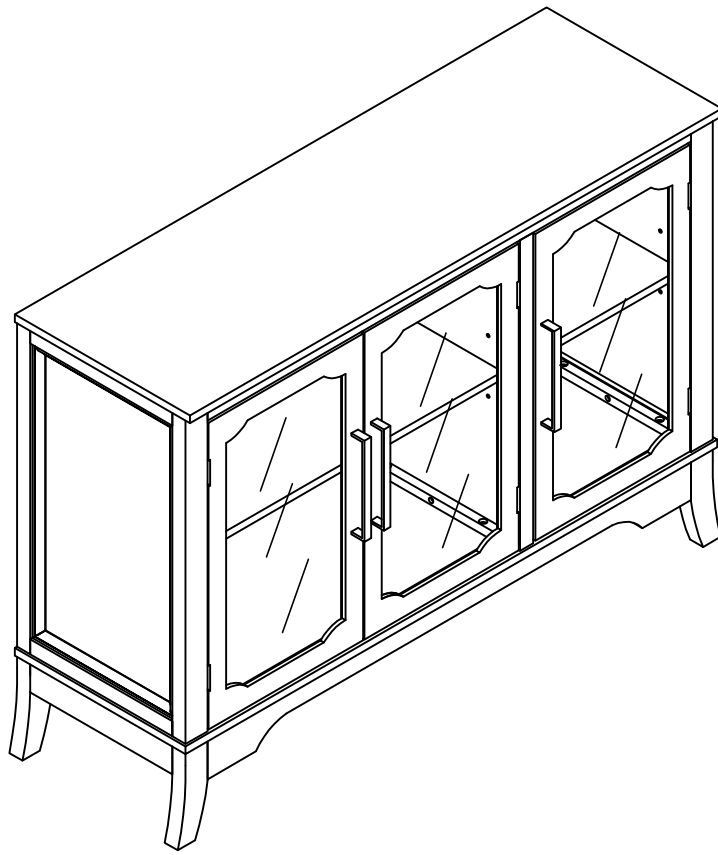
Care & Maintenance

	<ul style="list-style-type: none">● Not for commercial use. For residential use only.
	<ul style="list-style-type: none">● Do not put hot items directly on furniture surface.
	<ul style="list-style-type: none">● Do not clean furniture with harsh cleansers or polish.
	<ul style="list-style-type: none">● Do not place furniture under direct sunlight.
	<ul style="list-style-type: none">● Do not place furniture near heating or cooling vents.
	<ul style="list-style-type: none">● Do not write on furniture without a padded barrier to protect the surface.
	<ul style="list-style-type: none">● Do not place furniture outside . For indoor use only.
	<ul style="list-style-type: none">● Stains may be removed with mild soap solution and damp cloth.
	<ul style="list-style-type: none">● Children should not climb or jump on the furniture.
	<ul style="list-style-type: none">● Dust and pick-up spills using a clean, non-colored, lint-free cloth.

Please look in Corner of carton for hardware packs

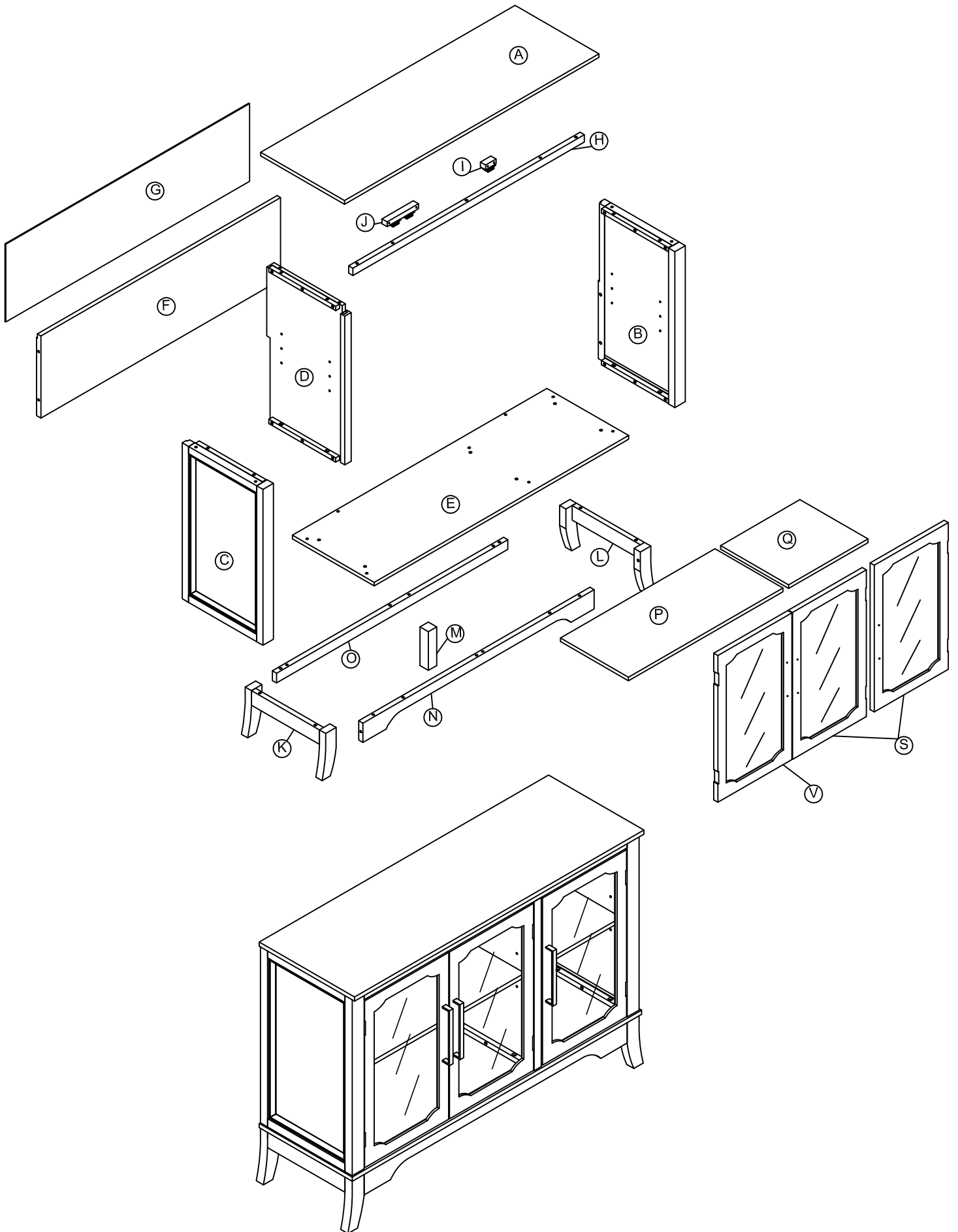
Sets often ship in multiple boxes and may arrive a day or two apart.

ASSEMBLY INSTRUCTION



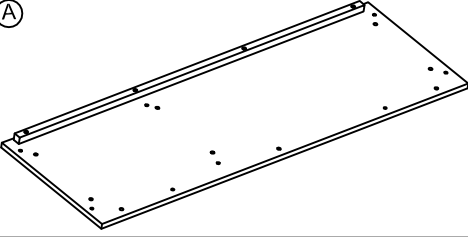
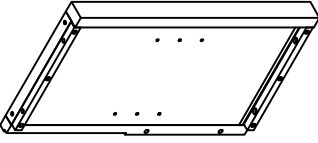
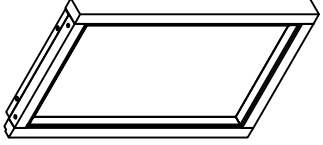
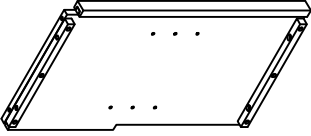
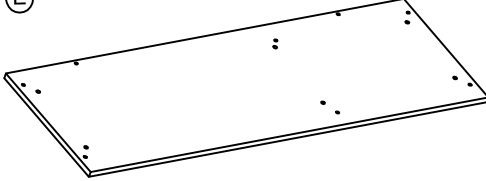
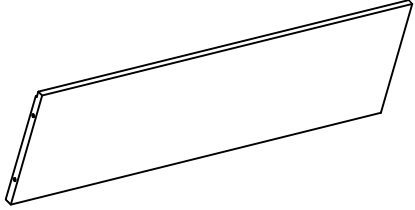
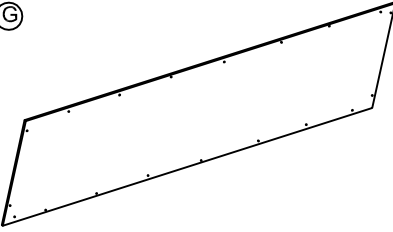
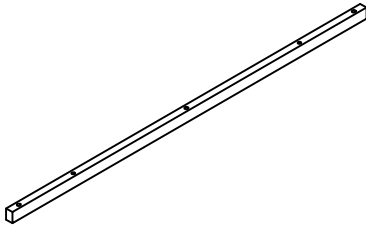

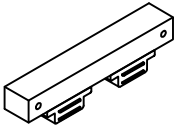
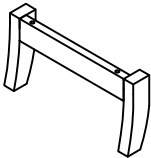
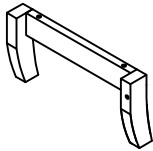
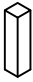
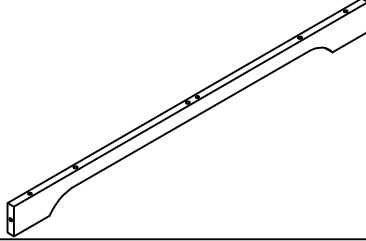
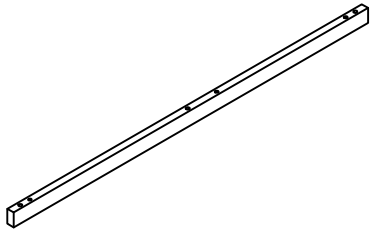
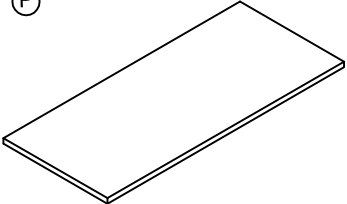
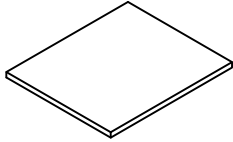
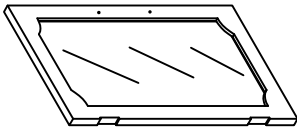
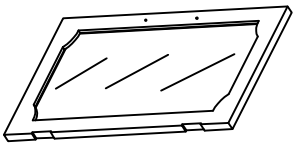
2 - People

ASSEMBLY INSTRUCTION



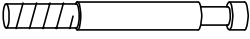


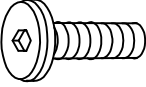
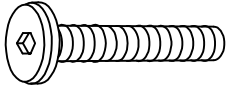
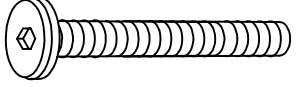


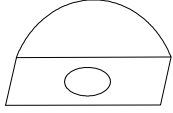
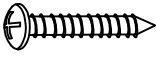
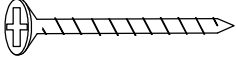
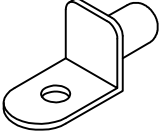
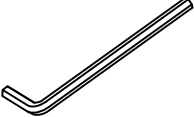

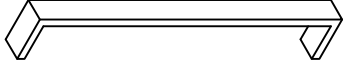
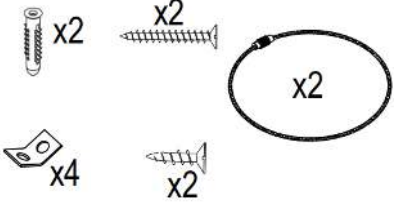
ASSEMBLY INSTRUCTION

Pack List

		
Table Top =1pc	Right Side=1pc	Left Side=1pc
		
Middle=1pc	Bottom=1pc	Back Lower=1pc
		
Back Upper =1pc	Front support Top =1pc	Single Magnetic =1pc
		
Double Magnetic=1pc	Left frame Leg =1pc	Right frame Leg =1pc
		
Support Leg	Front support Bottom =1pc	Back support Bottom =1pc
		
Long Shelf =1pc	Short Shelf =1pc	Right door=2pcs
		
		Left doors =1pc

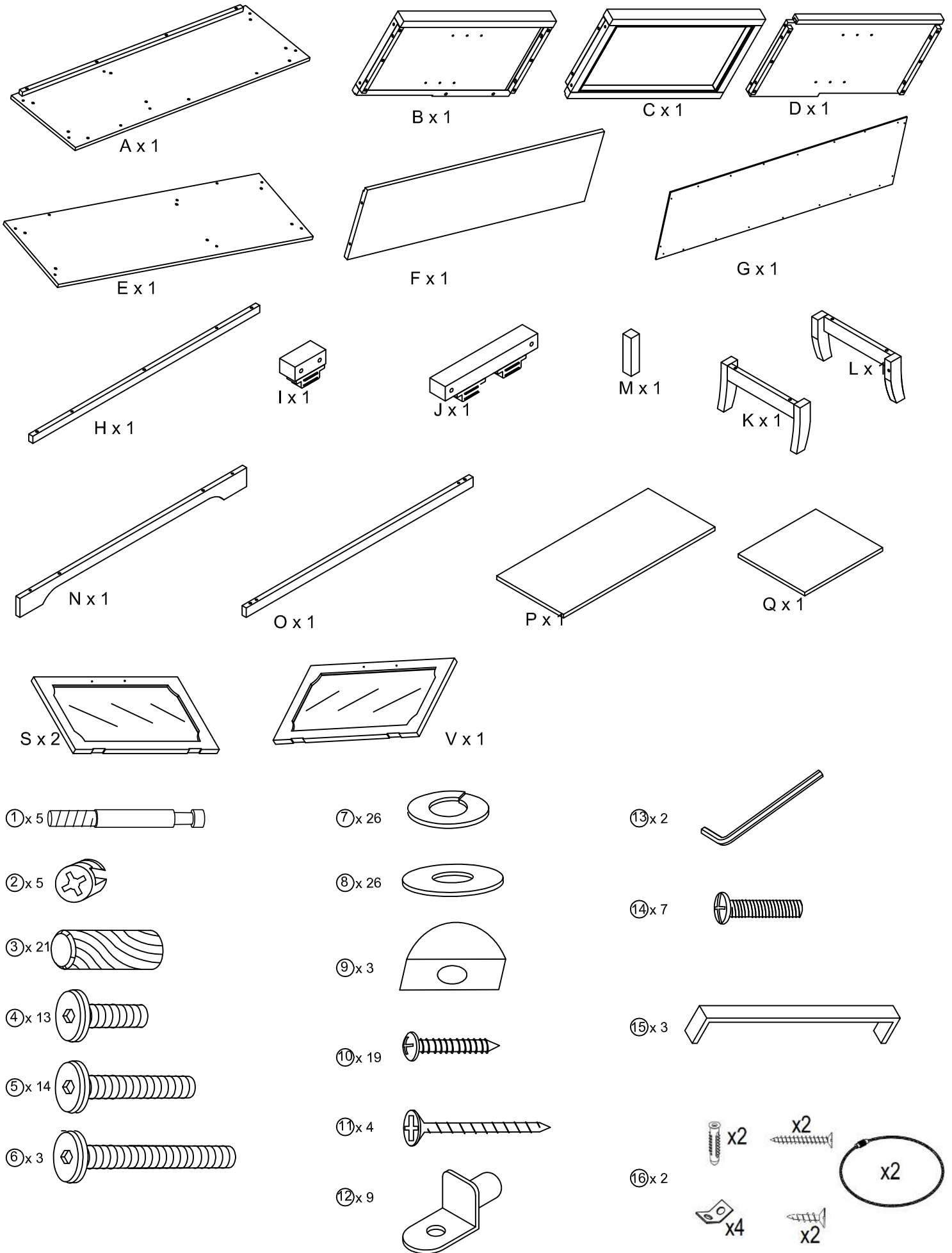
ASSEMBLY INSTRUCTION

Pack List

<p>①</p> 	<p>②</p> 	<p>③</p> 
<p>Cam Bolt M6x 28mm =4pcs + extra 1pc</p>	<p>Camlock Ø15 x 10mm =4pcs+ extra 1pc</p>	<p>Wooden Dowel Ø8 x 30mm =20pcs + extra 1pc</p>
<p>④</p> 	<p>⑤</p> 	<p>⑥</p> 
<p>Short Bulong 1/4" x 25mm= 12pcs+ extra 1pc</p>	<p>Middle Bulong 1/4" x 38mm = 13pcs + extra 1pc</p>	<p>Long Bulong 1/4" x 60mm =2pcs+ extra 1pc</p>
<p>⑦</p> 	<p>⑧</p> 	<p>⑨</p> 
<p>Spring Washer =25pcs + extra 1pc</p>	<p>Flat Washer =25pcs + extra 1pc</p>	<p>Half Moon Nut 12 x 20 =2pcs + extra 1pc</p>
<p>⑩</p> 	<p>⑪</p> 	<p>⑫</p> 
<p>Mushroom screw M3 x 15=18pcs + extra 1pc</p>	<p>Flat Screw M4 x 25 =4pcs+ extra 1pc</p>	<p>Support Shelf =8PCS+ extra 1pc</p>
<p>⑬</p> 	<p>⑭</p> 	<p>⑮</p> 
<p>Allen Key K4 x 80 =1pc + extra 1pc</p>	<p>Bolt of Handle M4 x 25 =6pcs + extra 1pc</p>	<p>Handle 12 x 34 x 135mm =3pcs</p>
<p>⑯</p> 		
<p>ANTITIP KIT =2SETS</p>		

Assembly Preparation

Before Beginning Assembly:



Assembly Preparation

Before Beginning Assembly:



- Read instructions, cover to cover-



- Have 2 adults on hand for assembly-



- Do not assemble on flooring or carpet-



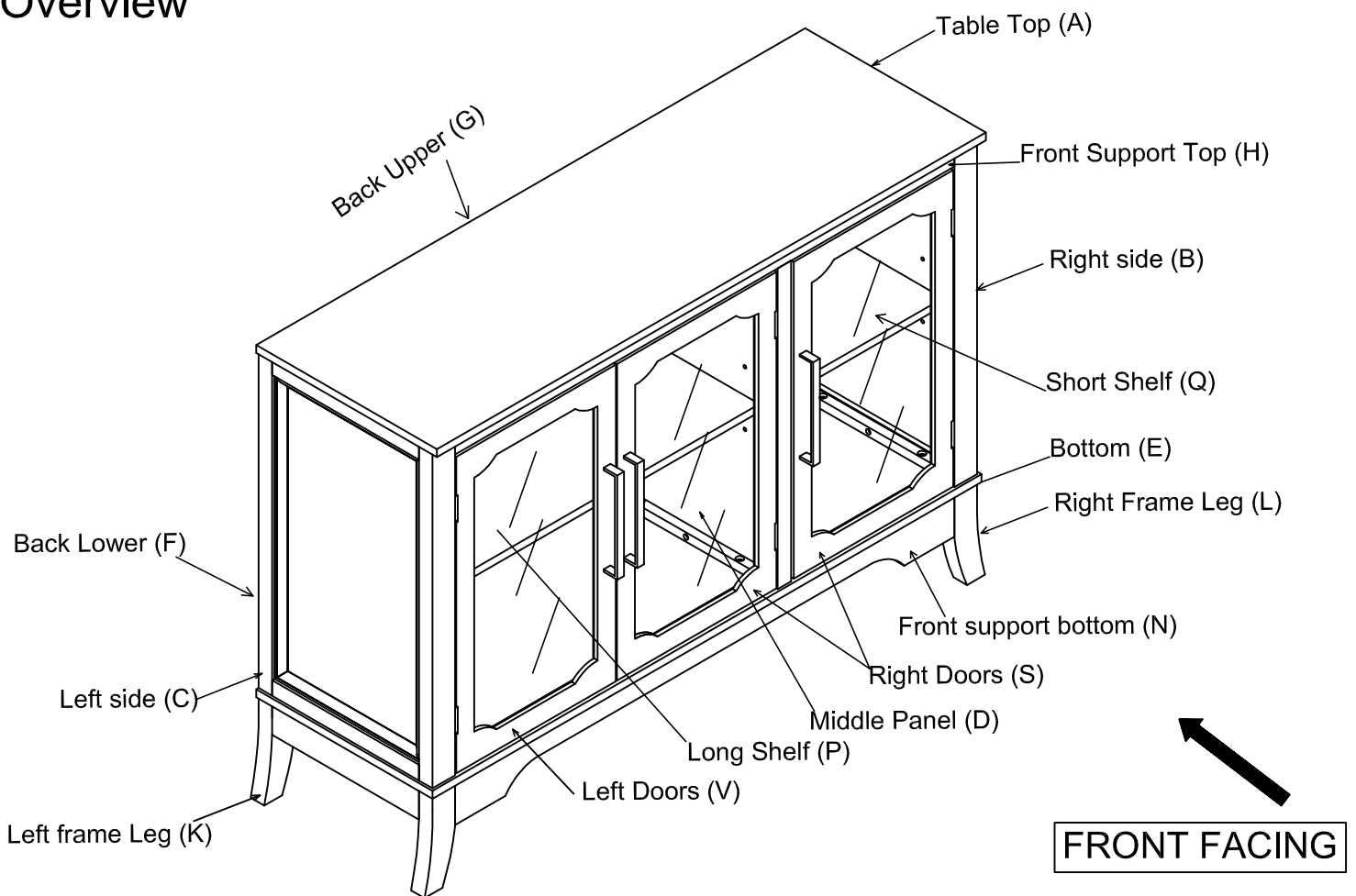
- Assemble on a clean non-marring surface (packing foam)-



- Save all packaging until finished-

Assembly Steps

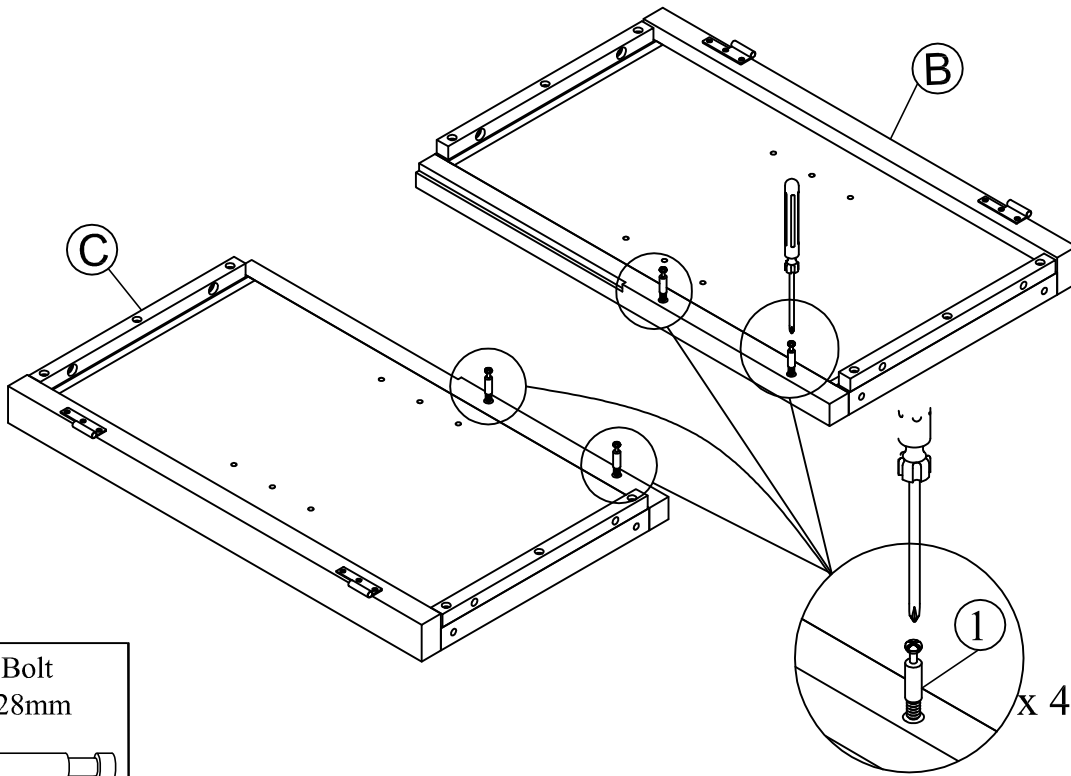
Overview



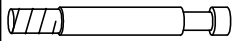
This Sideboard has multiple parts and may require up to some 45 minutes to assemble. To give you an overview of the Sideboard parts, the above picture is to help you put the various parts into perspective. Please read through the instructions below to familiarise yourself with the parts and steps before assembly.

ASSEMBLY INSTRUCTION

Step 1:

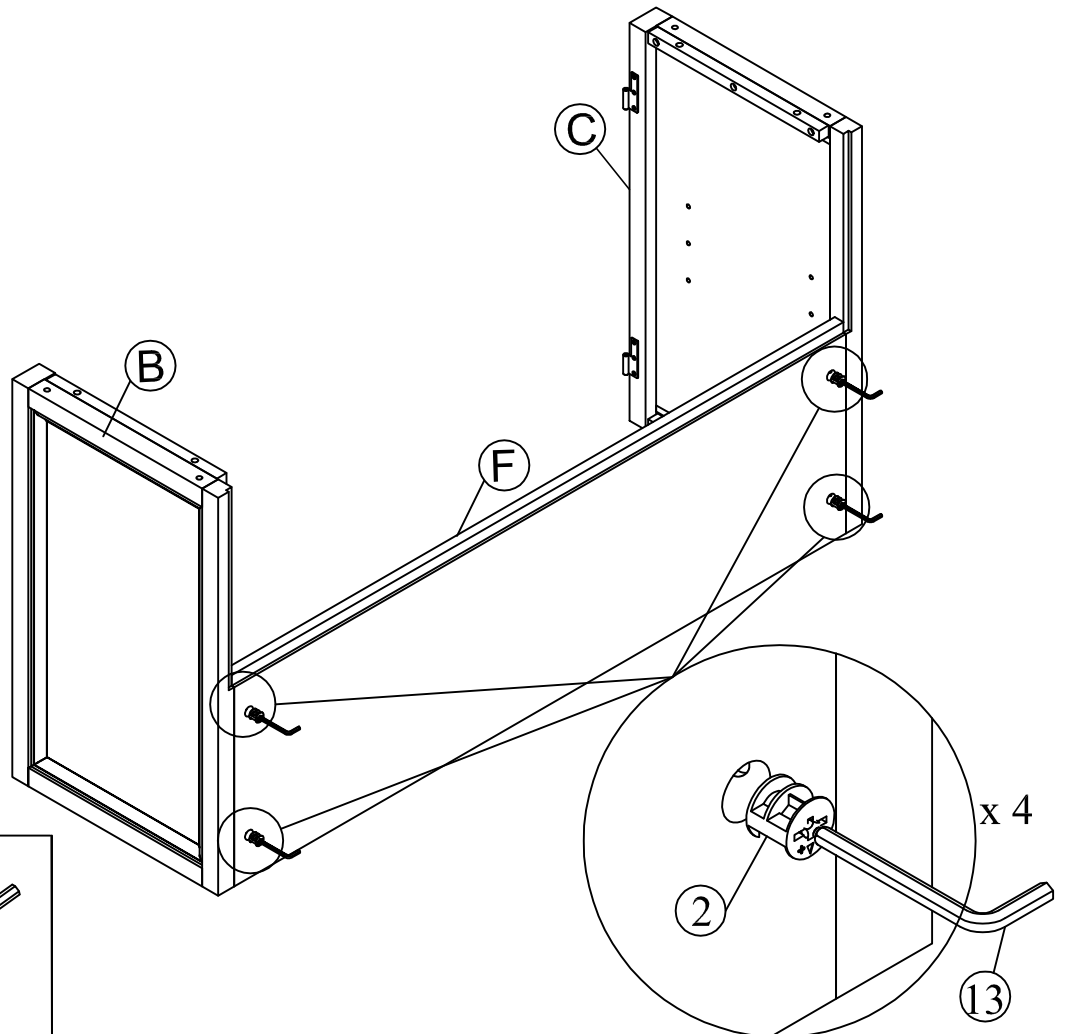


Cam Bolt
M6x 28mm



① x 4

Step 2

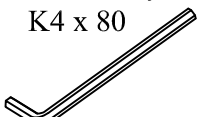


Camlock
Ø 15 x 10mm



② x 4

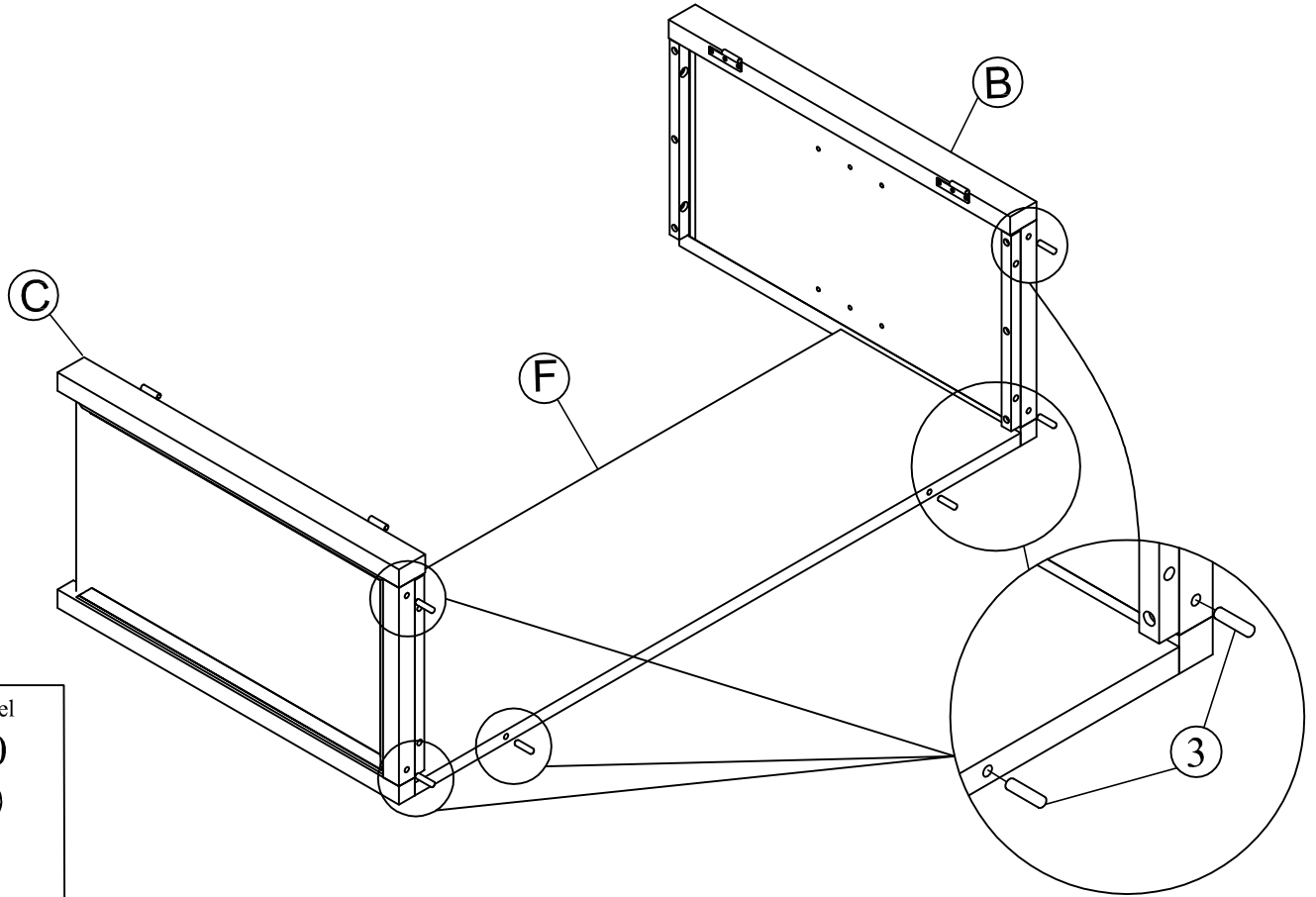
Allen Key
K4 x 80



⑬ x 1

ASSEMBLY INSTRUCTION

Step 3



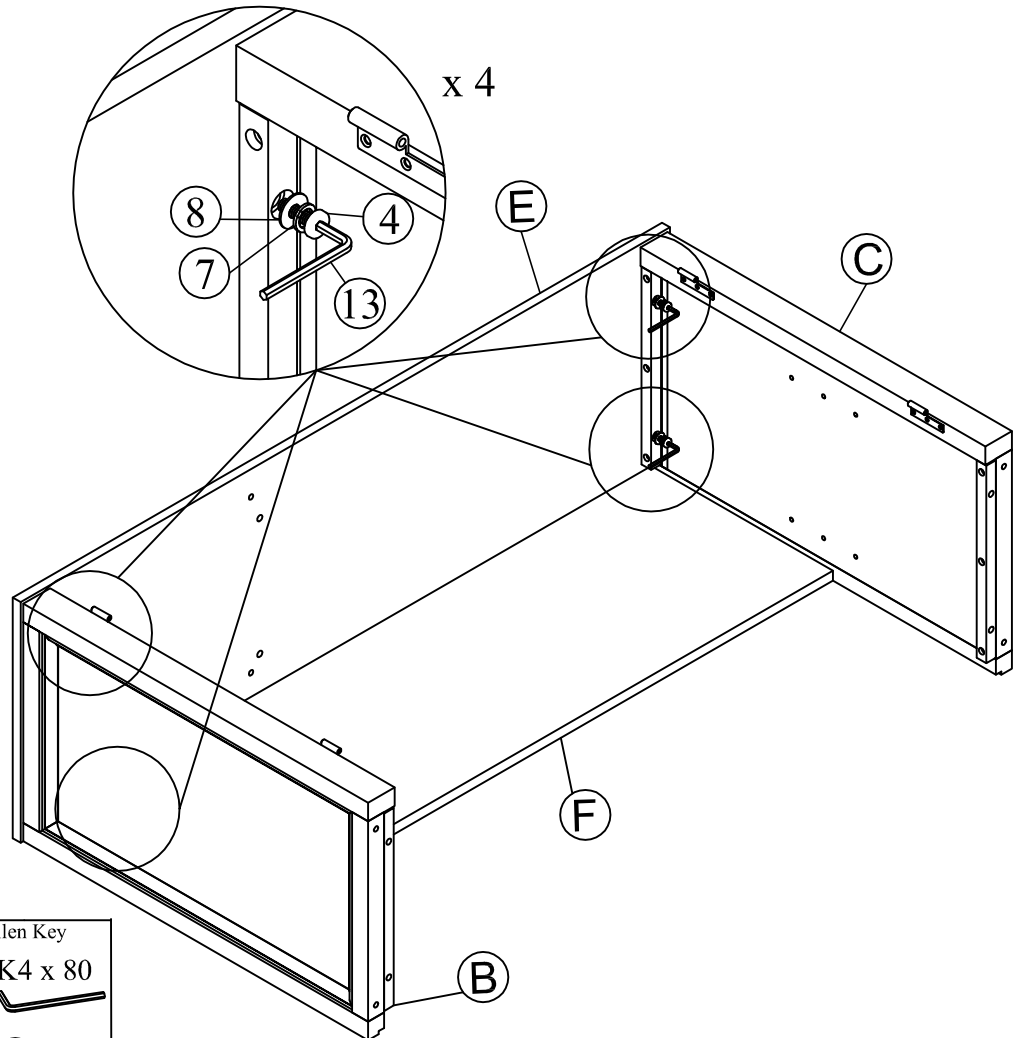
Wooden Dowel

Ø8 x 30



③ x 6

Step 4



Short Bolt
1/4" x 25



④ x 4

Spring washer
Ø10 x Ø6



⑦ x 4

Flat Washer
Ø12 x Ø6



⑧ x 4

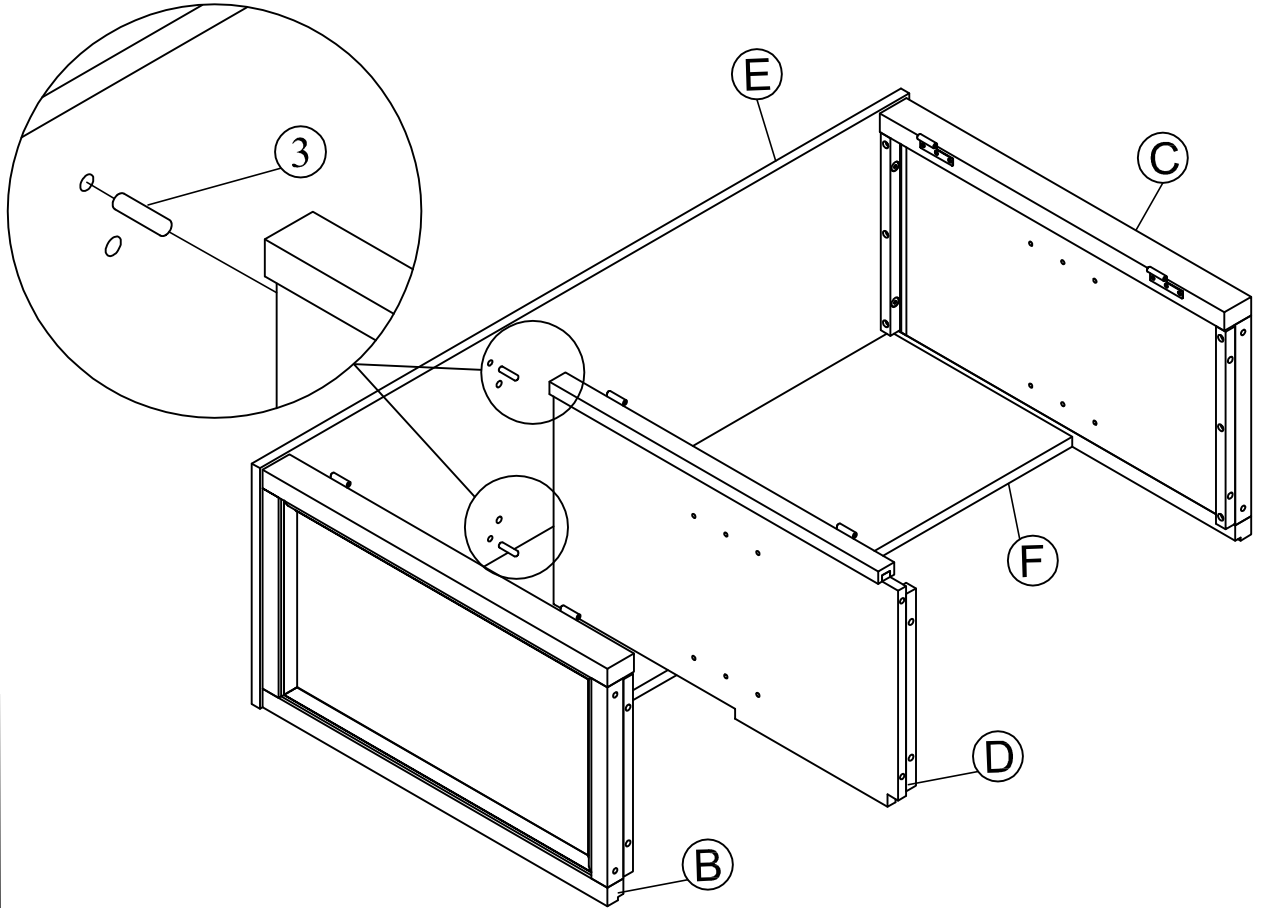
Allen Key
K4 x 80



⑬ x 1

ASSEMBLY INSTRUCTION

Step 5



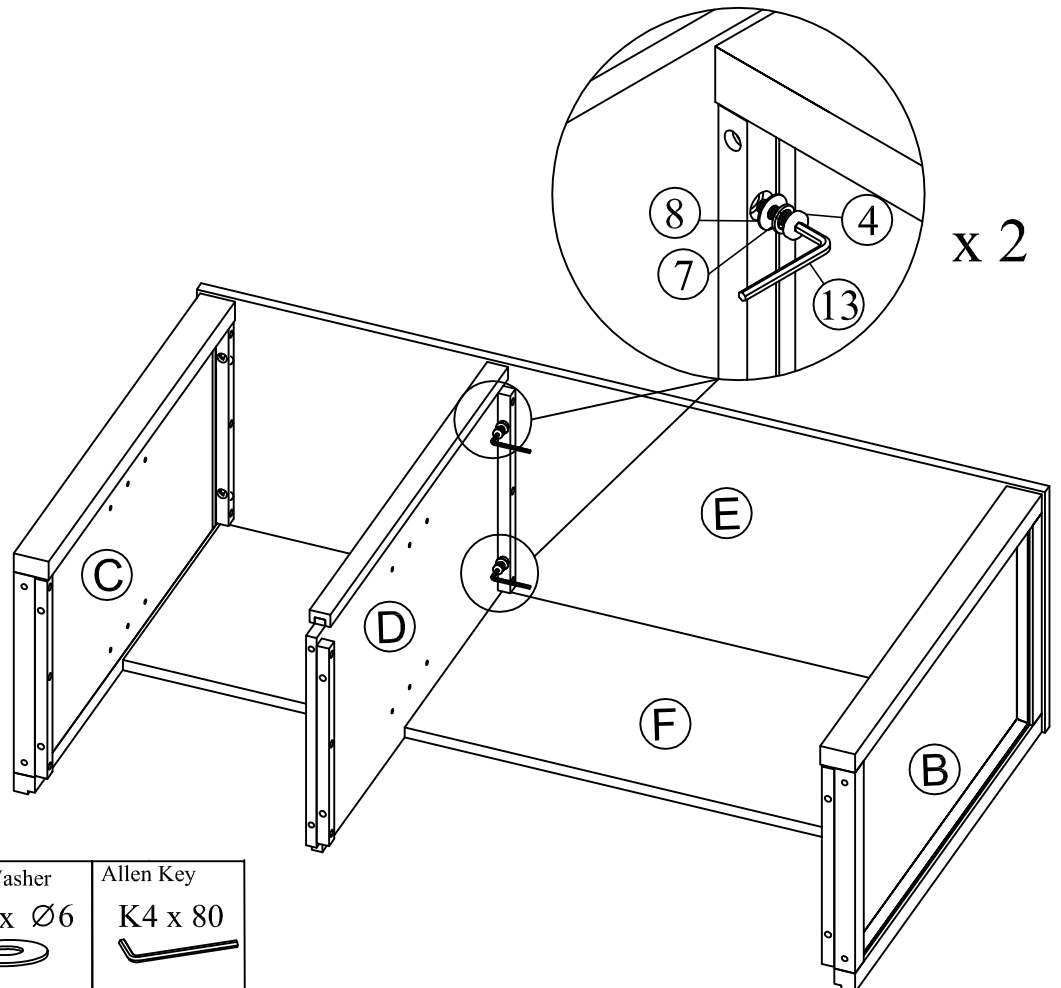
Wooden Dowel

Ø8 x 30



(3) x 2

Step 6



Short Bolt

1/4" x 25



(4) x 2

Spring washer

Ø10 x Ø6



(7) x 2

Flat Washer

Ø12 x Ø6



(8) x 2

Allen Key

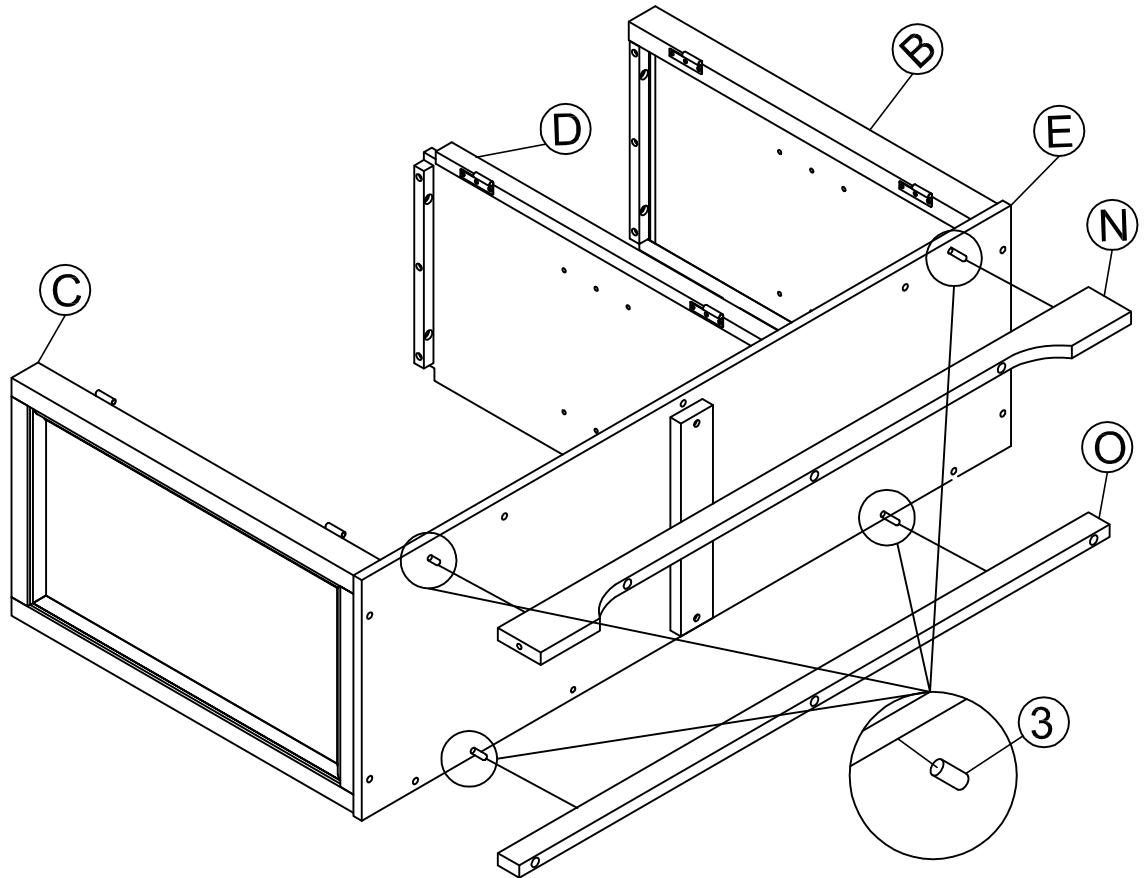
K4 x 80



(13) x 1

ASSEMBLY INSTRUCTION

Step 7:



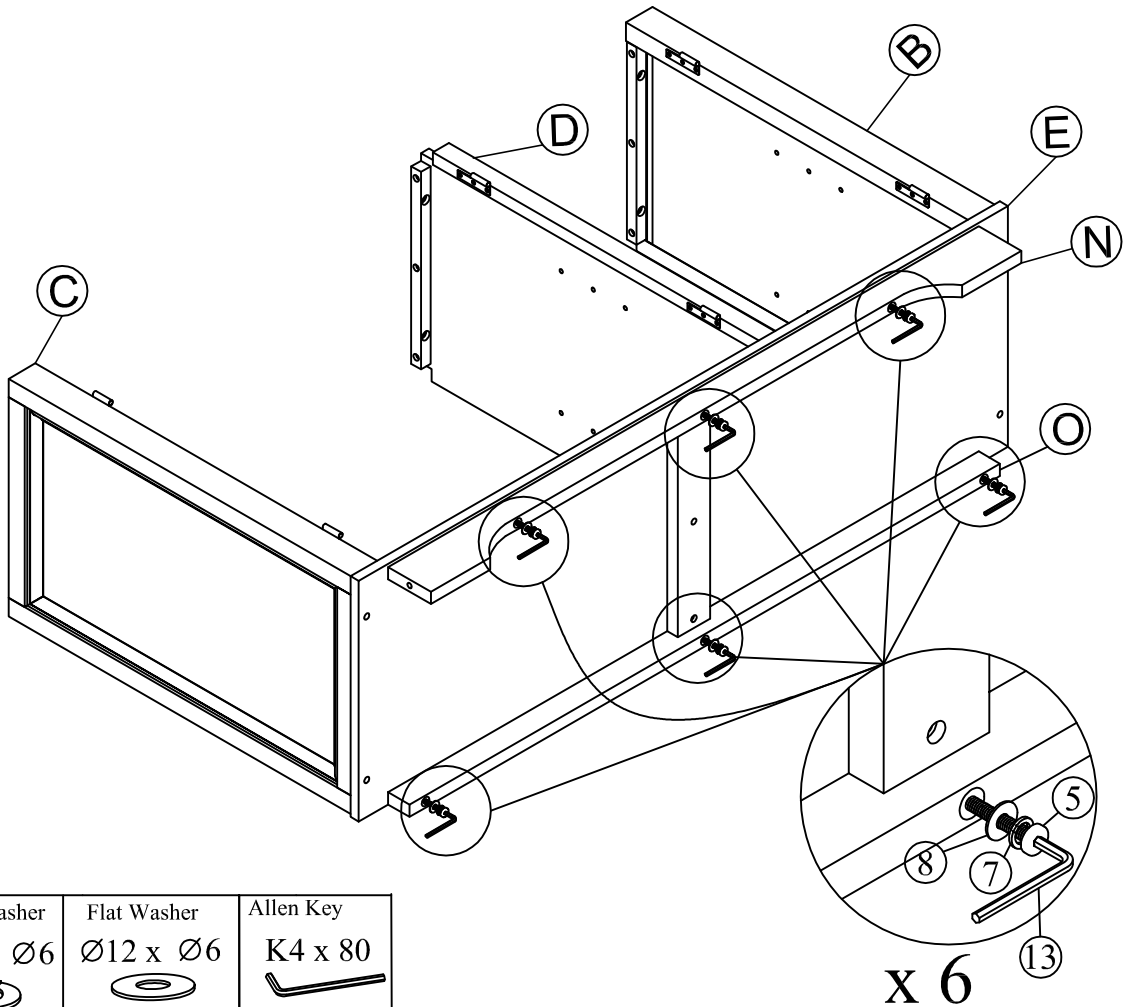
Wooden Dowel

Ø8 x 30



③ x 4

Step 8



Middle Bolt
1/4" x 38



⑤ x 6

Spring washer
Ø10 x Ø6



⑦ x 6

Flat Washer
Ø12 x Ø6



⑧ x 6

Allen Key
K4 x 80

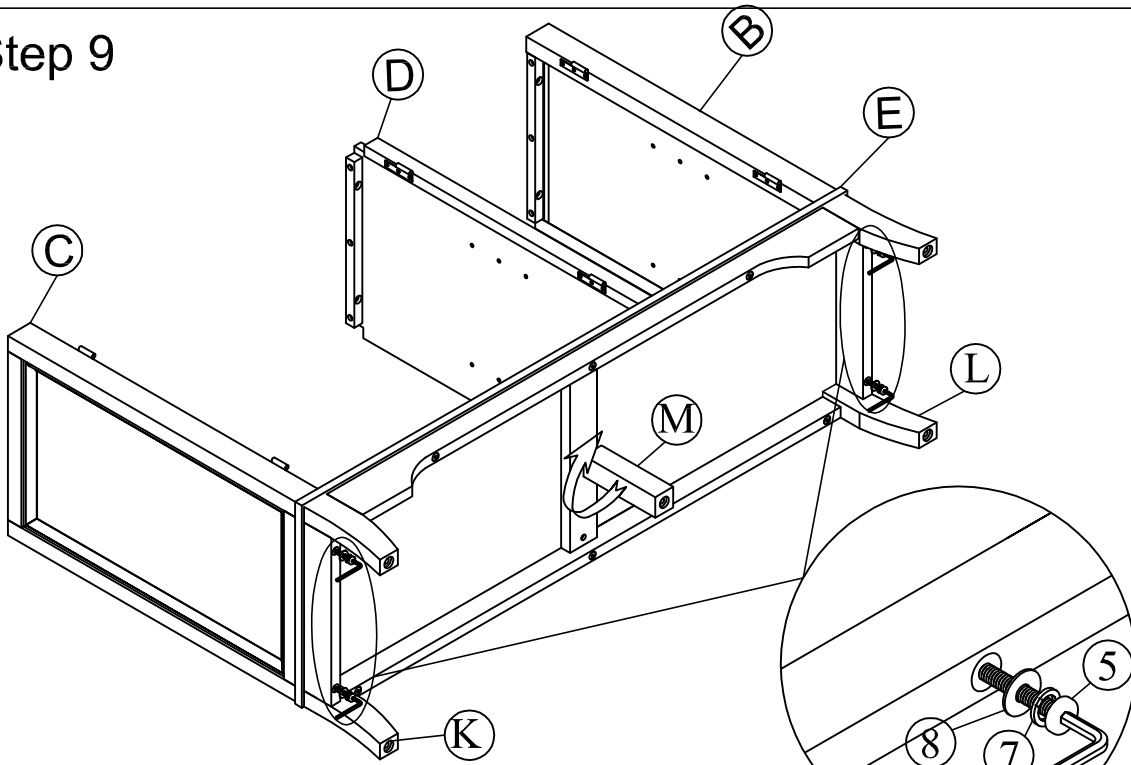






⑬ x 1

x 6

ASSEMBLY INSTRUCTION

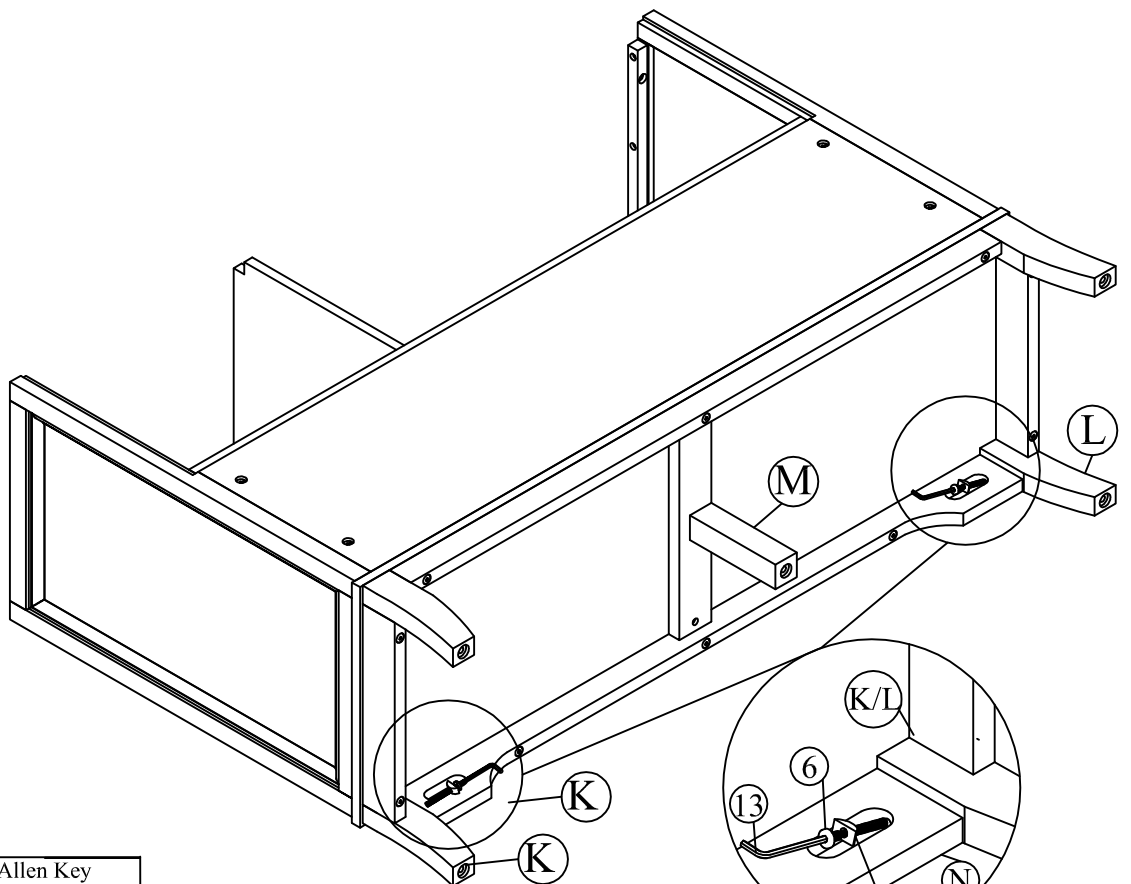
Step 9

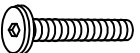
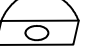



Middle Bolt 1/4" x 38  ⑤ x 4	Spring washer Ø10 x Ø6  ⑦ x 4	Flat Washer Ø12 x Ø6  ⑧ x 4	Allen Key K4 x 80  ⑬ x 1
---	---	---	--

x 4

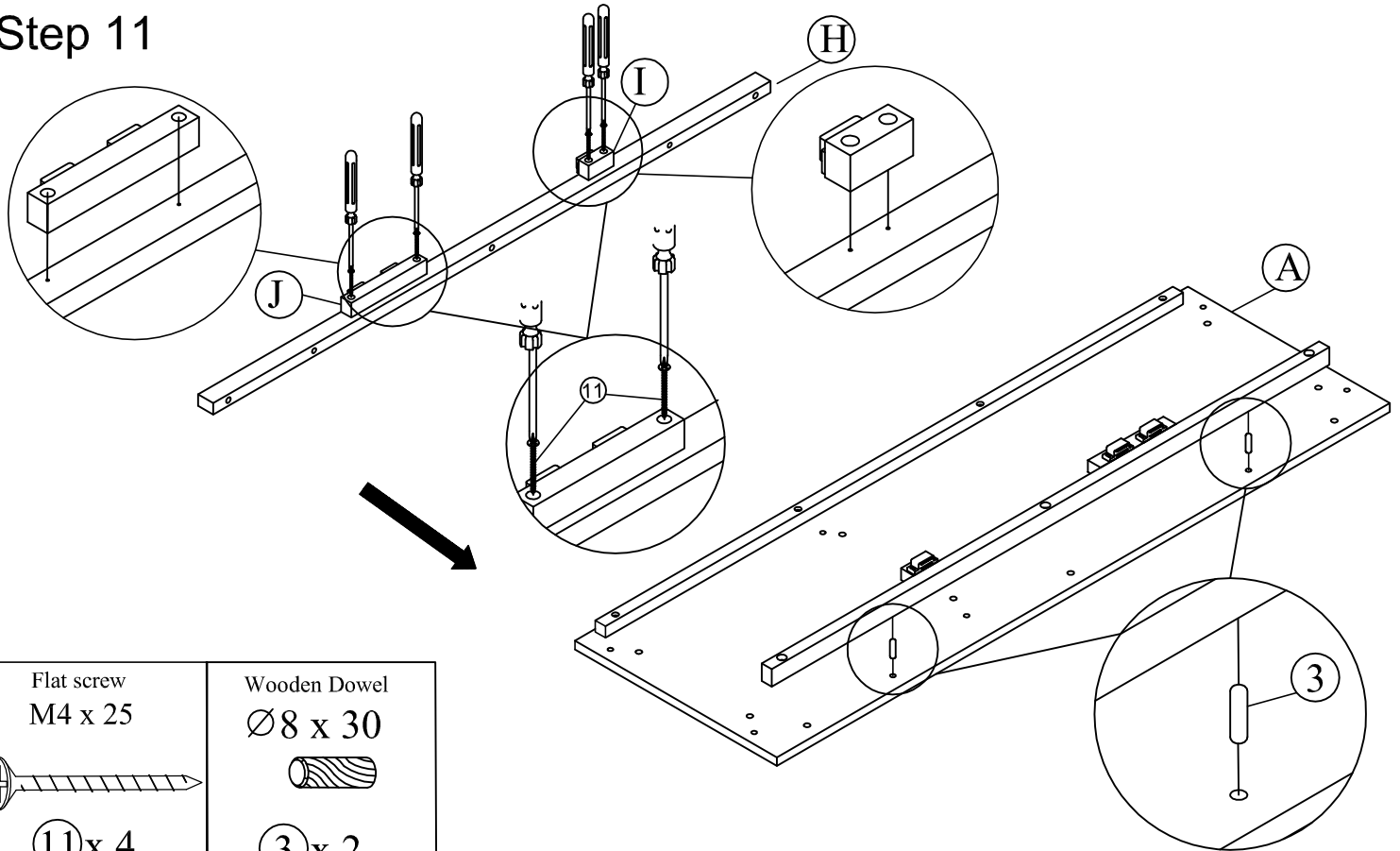
Step 10



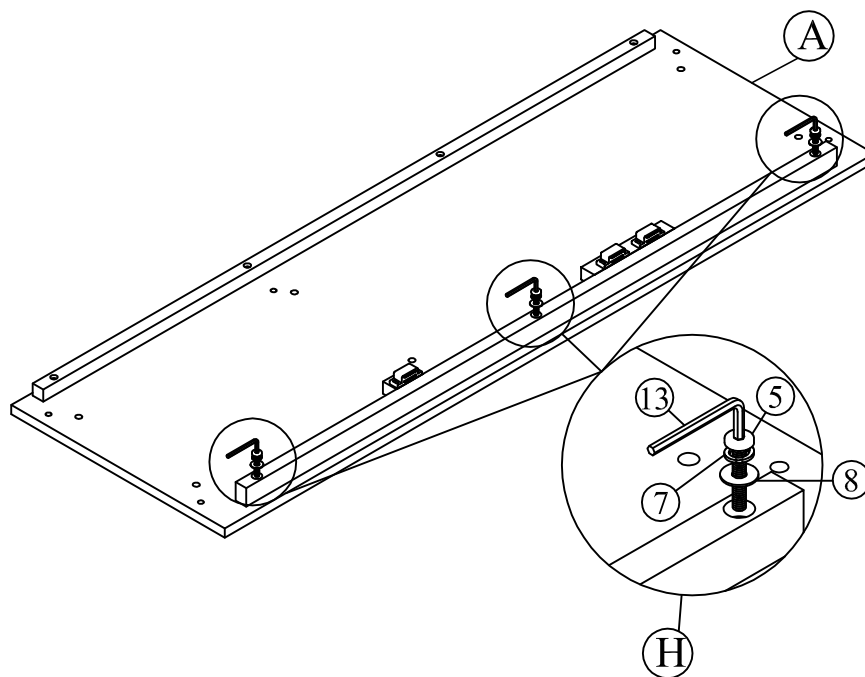
Long Bolt 1/4" x 60  ⑥ x 2	Half moon Nut 12 x 10  ⑨ x 2	Allen Key K4 x 80  ⑬ x 1
---	--	--

ASSEMBLY INSTRUCTION

Step 11

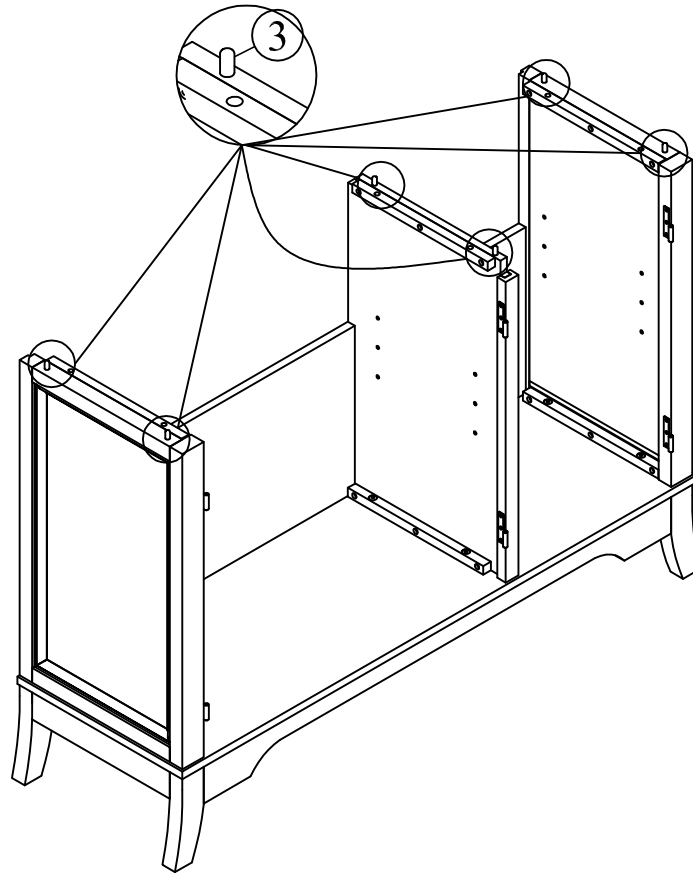


Step 12



ASSEMBLY INSTRUCTION

Step 13



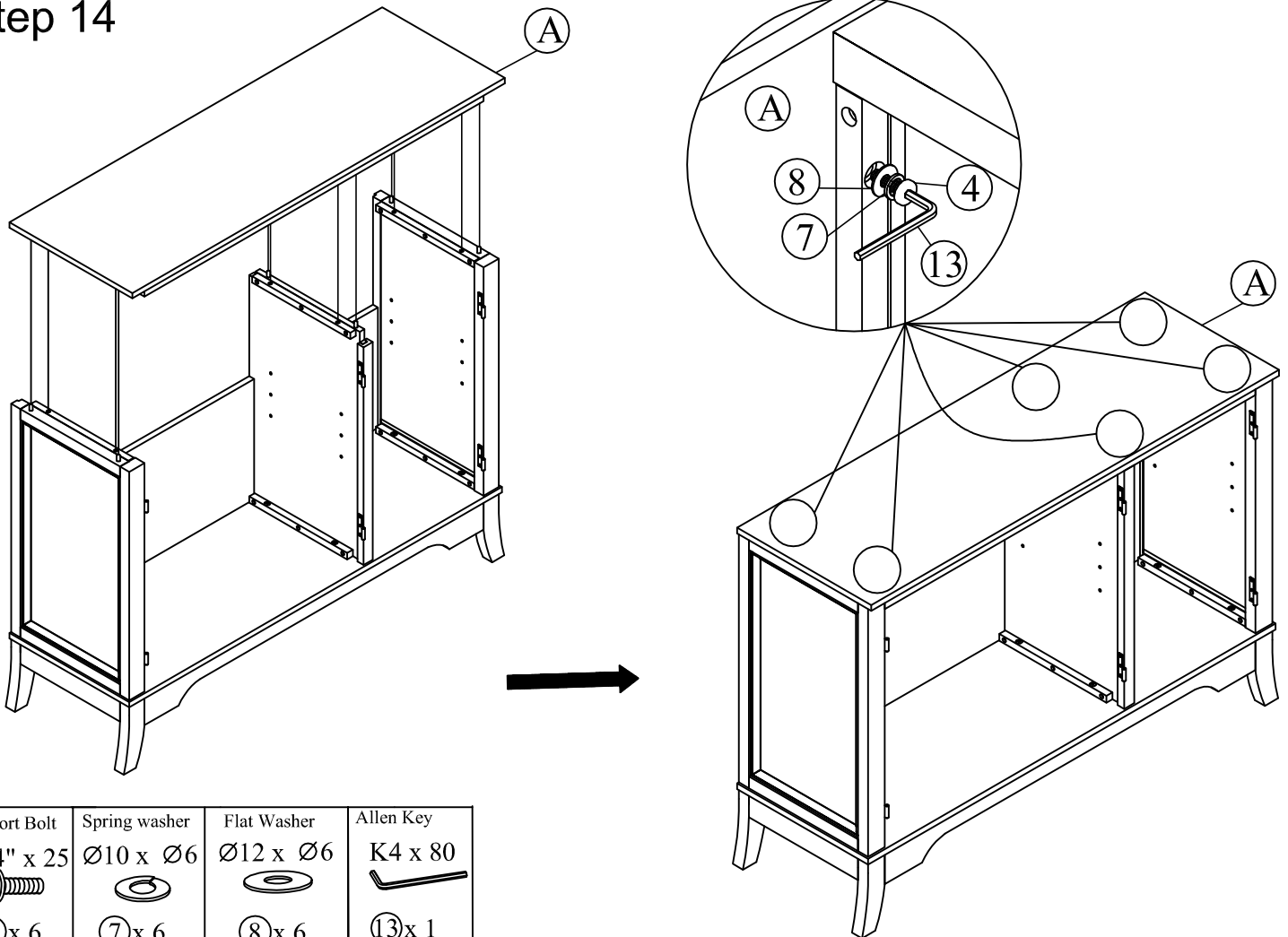
Wooden Dowel

Ø8 x 30



(3) x 6

Step 14



Short Bolt

1/4" x 25



(4) x 6

Spring washer

Ø10 x Ø6



(7) x 6

Flat Washer

Ø12 x Ø6



(8) x 6

Allen Key

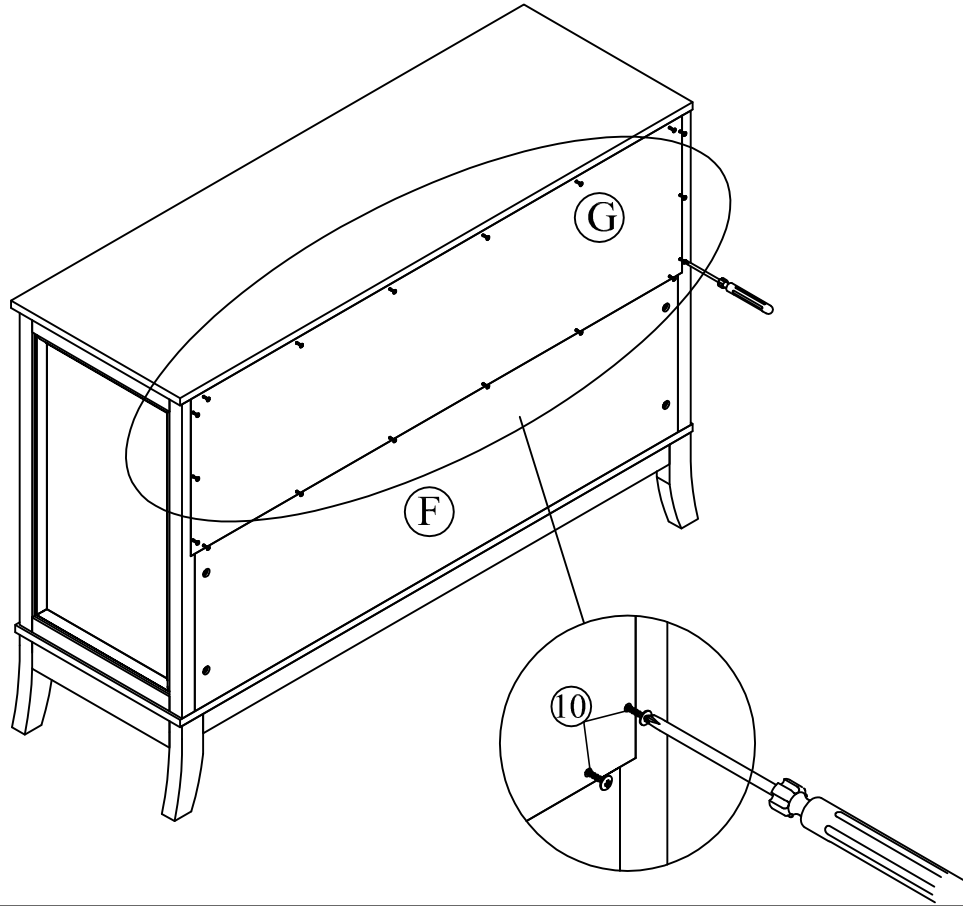
K4 x 80



(13) x 1

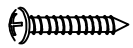
ASSEMBLY INSTRUCTION

Step 15



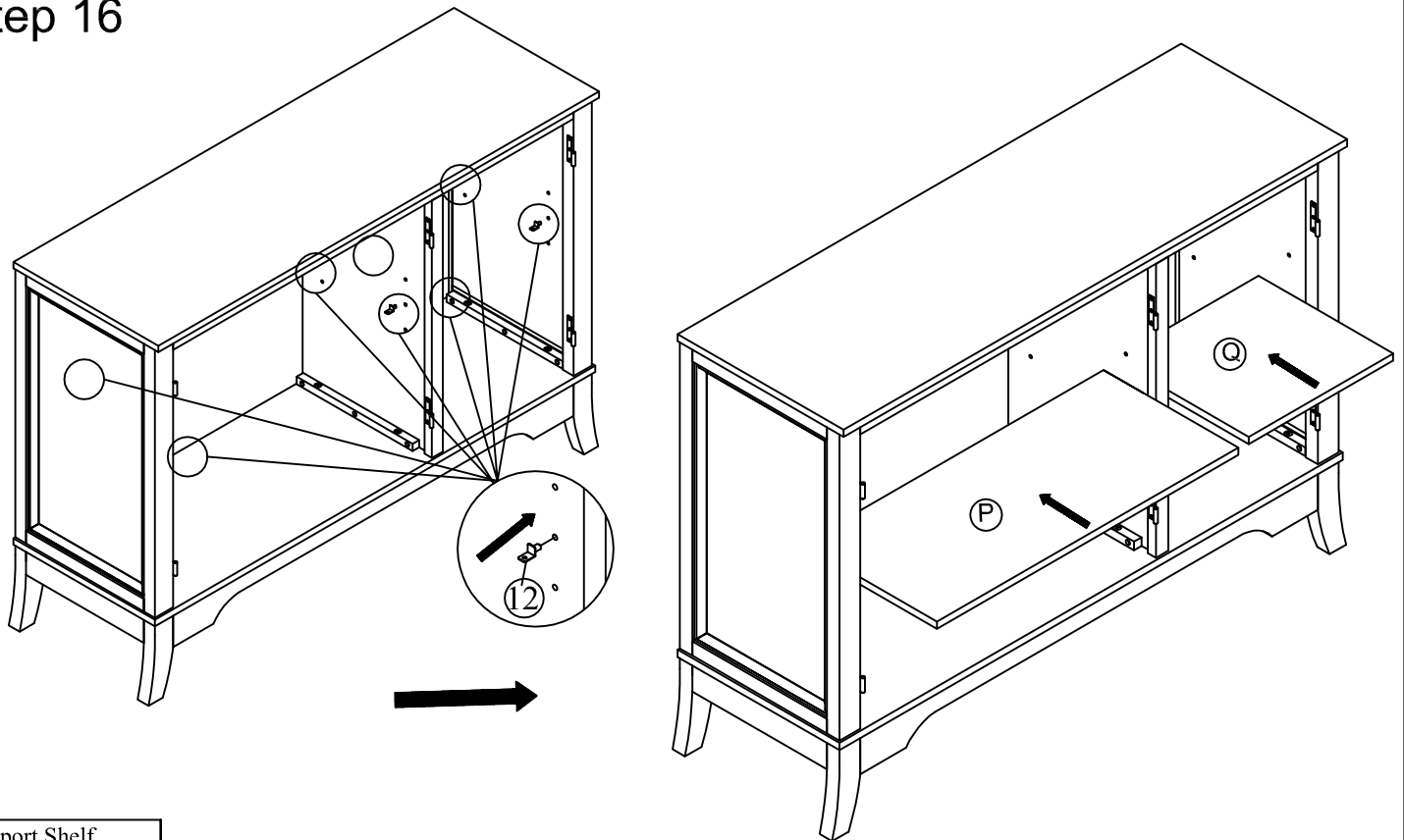
Mushroom screw

M3 x 15

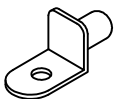


⑩x 18

Step 16



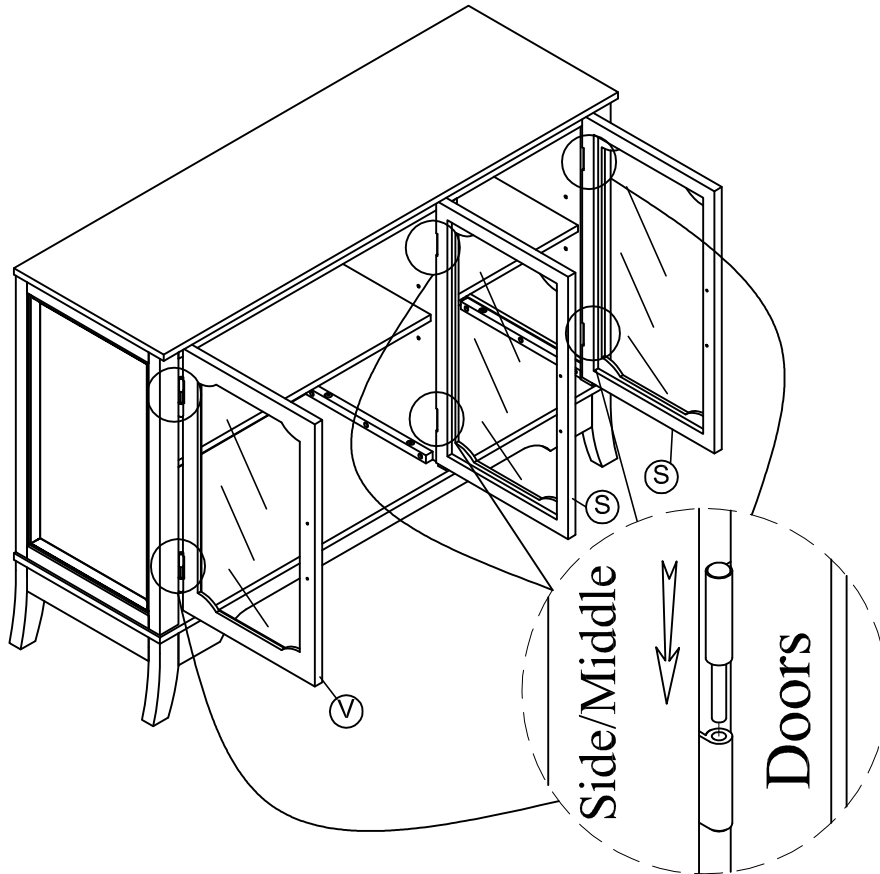
Support Shelf



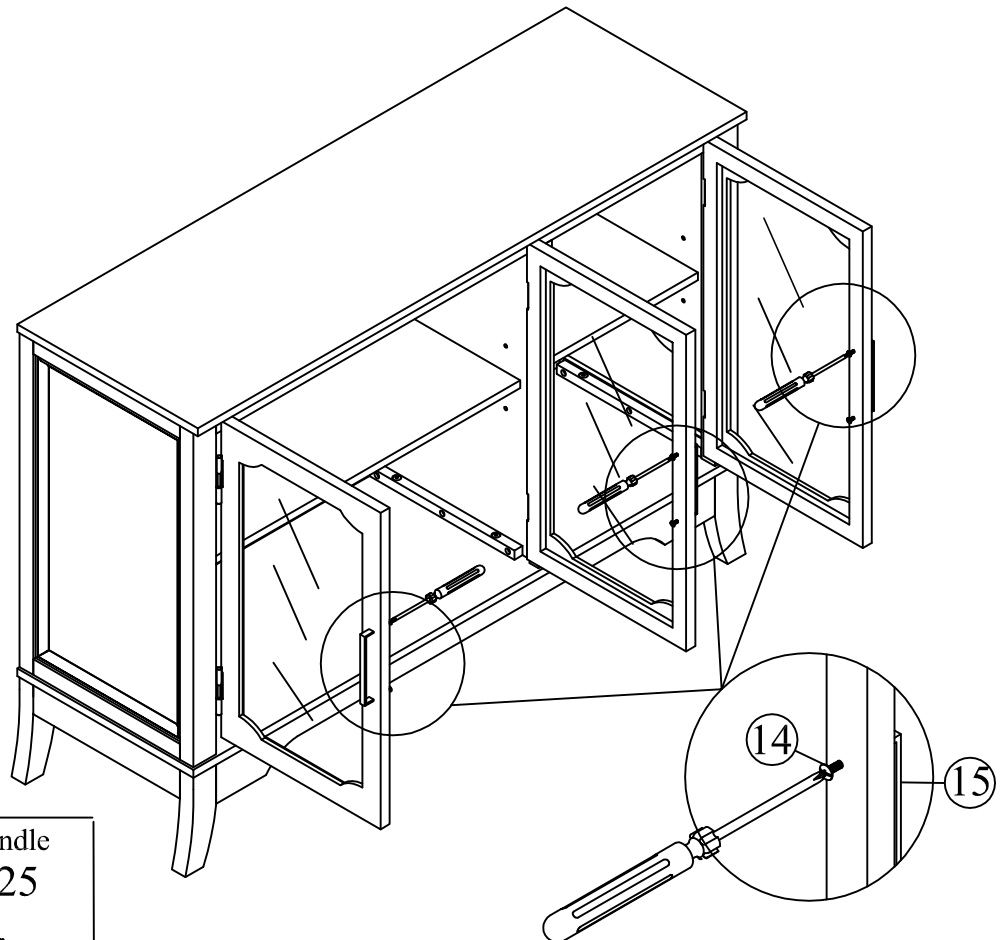
⑫x 8

ASSEMBLY INSTRUCTION

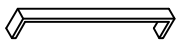
Step 17



Step 18



Handle
12 x 34 x 135mm



⑮x 3

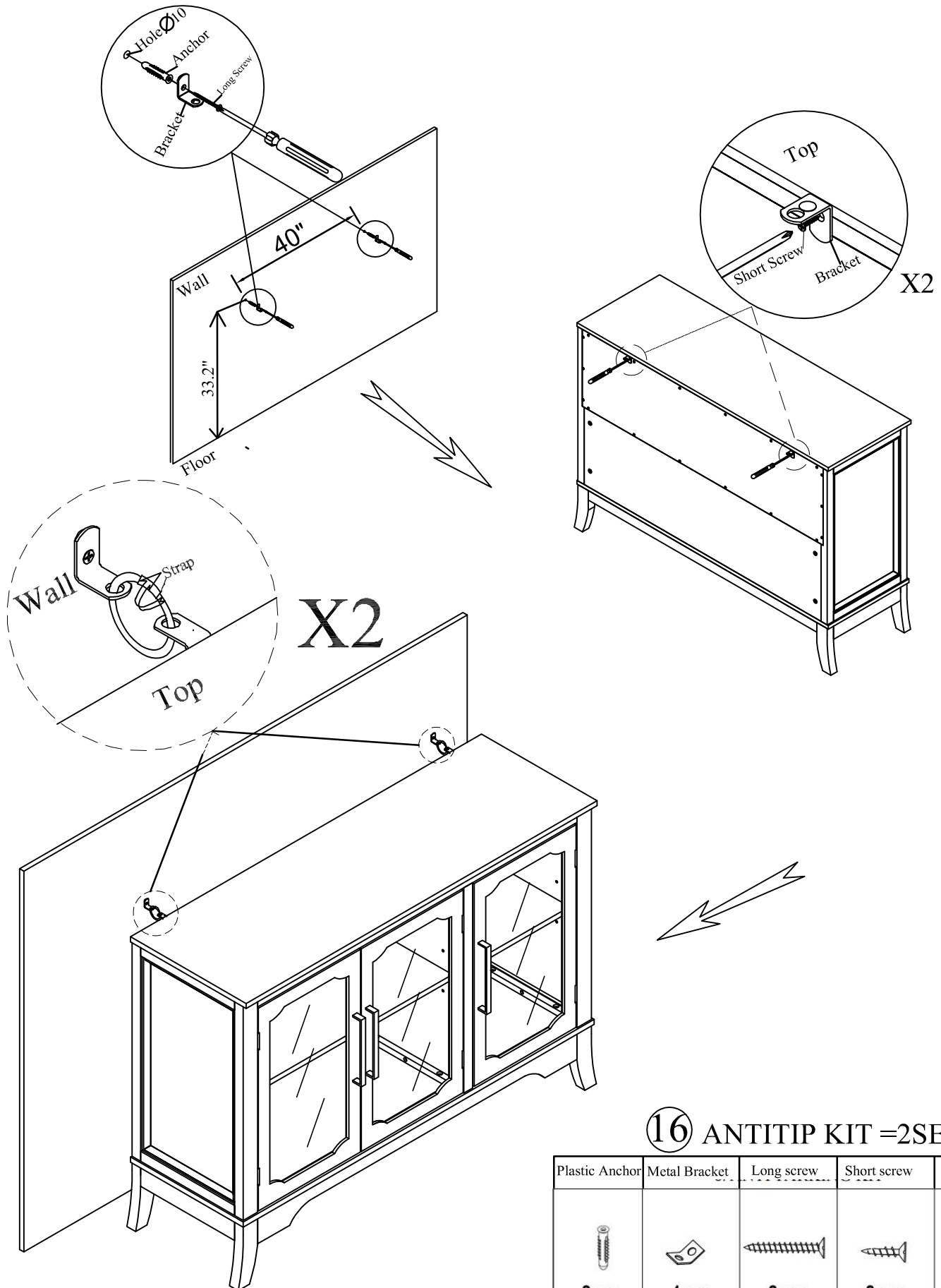
Bolt of Handle
M4 x 25



⑭x 6

ASSEMBLY INSTRUCTION

Step 19

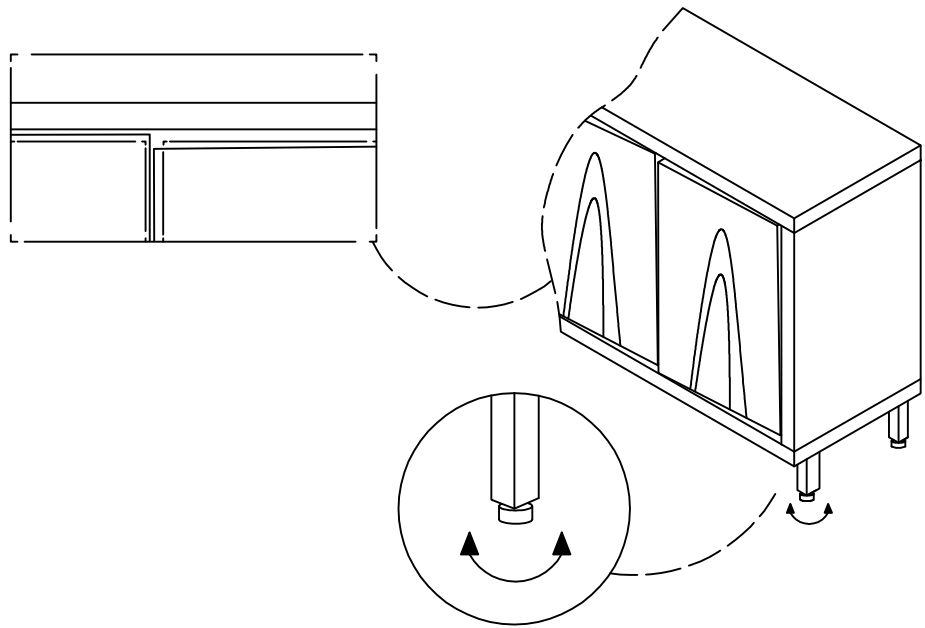


ASSEMBLY INSTRUCTION

Is your cabinet door looking crooked or unevenly spaced?

If you're still having trouble lining everything up, your next step should be to try to adjust the feet slightly to square up the cabinet and doors. Follow the instructions below:

If the right door appears to be hanging low, you can adjust the adjustable leveler on the front right until the door is better aligned.



If the left door appears to be hanging low, you can adjust the adjustable leveler on the front left until the door is better aligned.

