

## NOTICE

\*Please make sure that you have all part indicated and they are in good condition before you begin assembly of this item. Refer to part list and hardware list below for guidance.

\*This item should be assembled on a soft surface to prevent scratching the finish during assembly.

\*This item may require periodic tightening.

\*If you are having difficulty, our friendly Customer Care team is always here to help.

## PREPARATION

\*Before beginning assembly of product, make sure all part are present. Compare part with part contents list and hardware contents list.

\*If any part is missing or damaged, do not attempt to assemble the product.

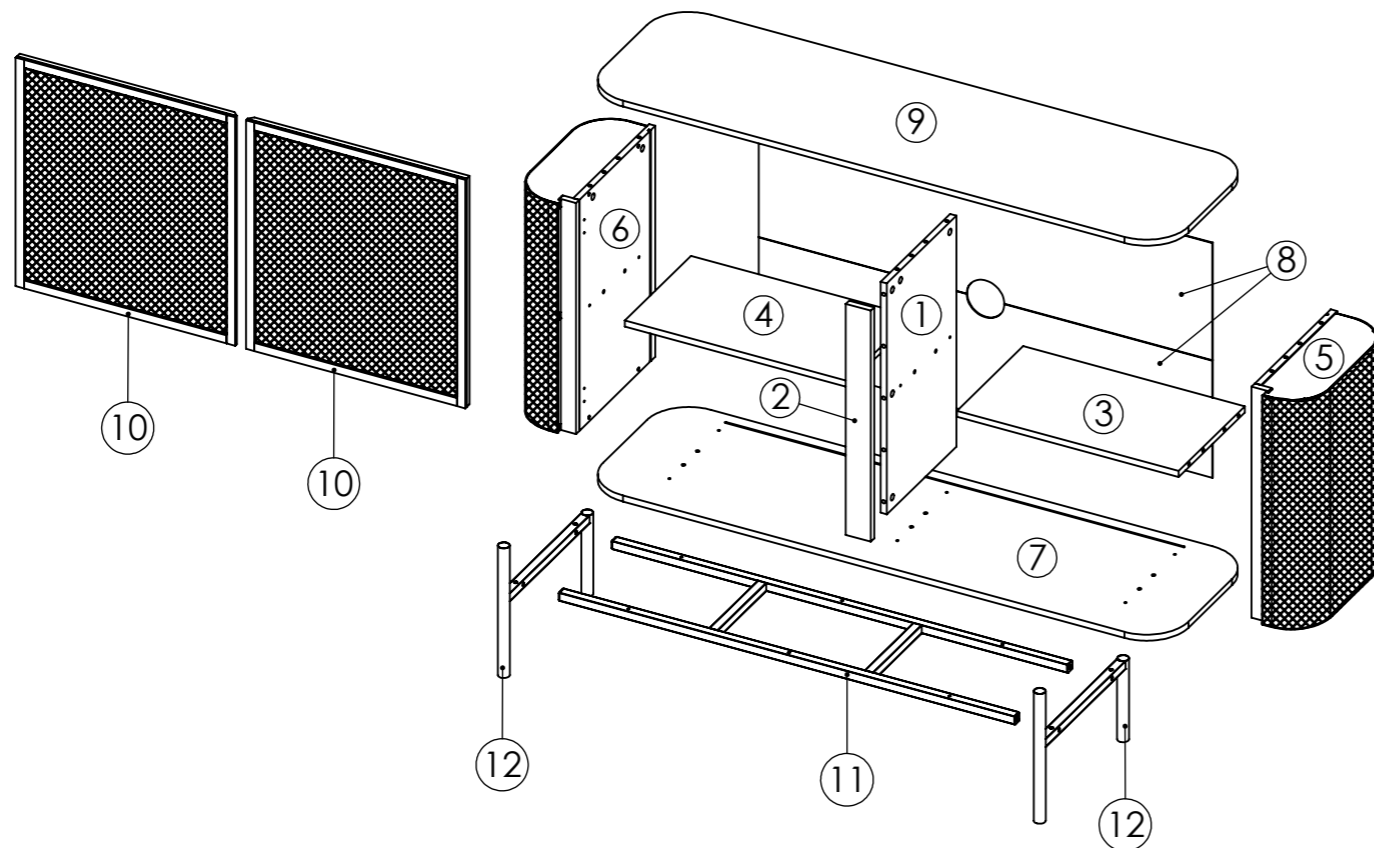
\*Estimated Assembly Time: 60 minutes.

\*Tools Required for Assembly (included): Allen Key

## CARE AND MAINTENANCE

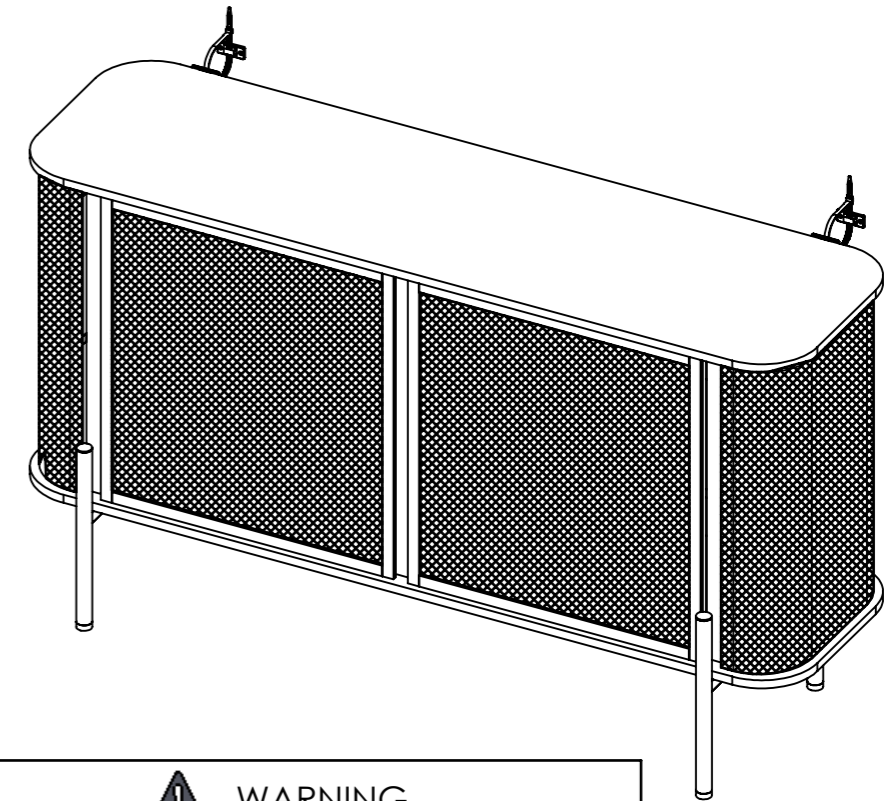
Adhesive felt pads should always be applied to areas of furniture which make direct contact with flooring, said application will prevent damage to the furniture and or surfaces on which the furniture lies. Objects placed on articles of furniture should rest on non abrasive material as to prevent damage to the wood finish. Objects whose composition consists of plastic and rubber are known to discolor and damage the wood surfaces on which they rest. Wipe up spills immediately and avoid common hazards such as hot dishes, harsh solvents and abrasives. Cleaning should be done with a soft lint free cotton cloth dampened with water or furniture polish. On highly used surfaces we recommend applying a quality paste wax which should be used on a regular basis to provide additional protection from scratches and spills. How often you apply the wax depends on how much wear the furniture receives.

### Part List



# OWNER MANUAL

Product Dimensions: W 55.11" x 15.66" x 31.88"



### WARNING

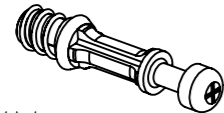
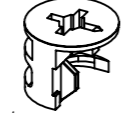

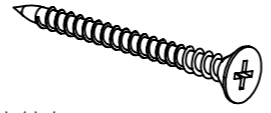
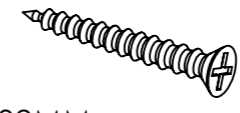
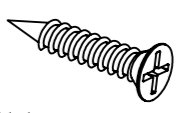
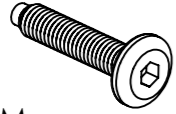

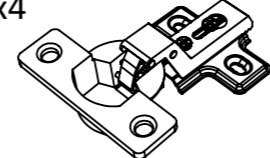
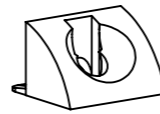
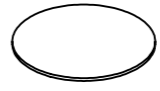
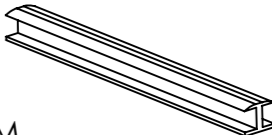
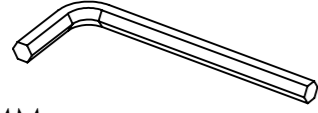

This product is intended for use with a  
FLAT SCREEN TV ONLY  
Maximum Screen Size: 65 inches  
Top Weight Limit: 40 lbs  
Shelf Load Limit: 17 lbs  
Use with heavier televisions may result in  
instability causing tip over resulting in death  
or Serious injury.


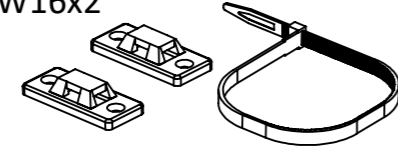
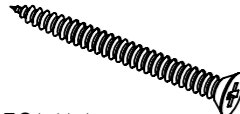



### WARNING

Death or serious injury may occur  
when children climb on audio  
and/or video equipment furniture.  
A remote control or toys placed on  
the furnishing may encourage a  
child to climb on the furnishing and  
as a result the furnishing may tip  
over on to the child

# Hardware List

<p>HW1x17</p>  <p>Ø6x32MM</p>	<p>HW2x17</p>  <p>Ø15x12MM</p>	<p>HW3x22</p>  <p>Ø8x32MM</p>	<p>HW4x6</p>  <p>Ø6x50MM</p>	<p>HW5x6</p>  <p>Ø7x32MM</p>	<p>HW6x12</p>  <p>Ø4x19MM</p>
<p>HW7x8</p>  <p>Ø6x30MM</p>	<p>HW8x16</p>  <p>Ø5x12MM</p>	<p>HW9x4</p> 	<p>HW10x12</p> 	<p>HW11x17</p>  <p>Ø20MM</p>	<p>HW12x1</p>  <p>1073MM</p>
<p>HW13x1</p>  <p>L4MM</p>	<p>HW14x4</p>  <p>Ø8MM</p>				

Anti-tip restraint pack	
<p>HW15x4</p>  <p>Ø6x15MM</p>	<p>HW16x2</p> 
<p>HW17x4</p>  <p>Ø10x50MM</p>	<p>HW18x4</p>  <p>Ø8x35MM</p>

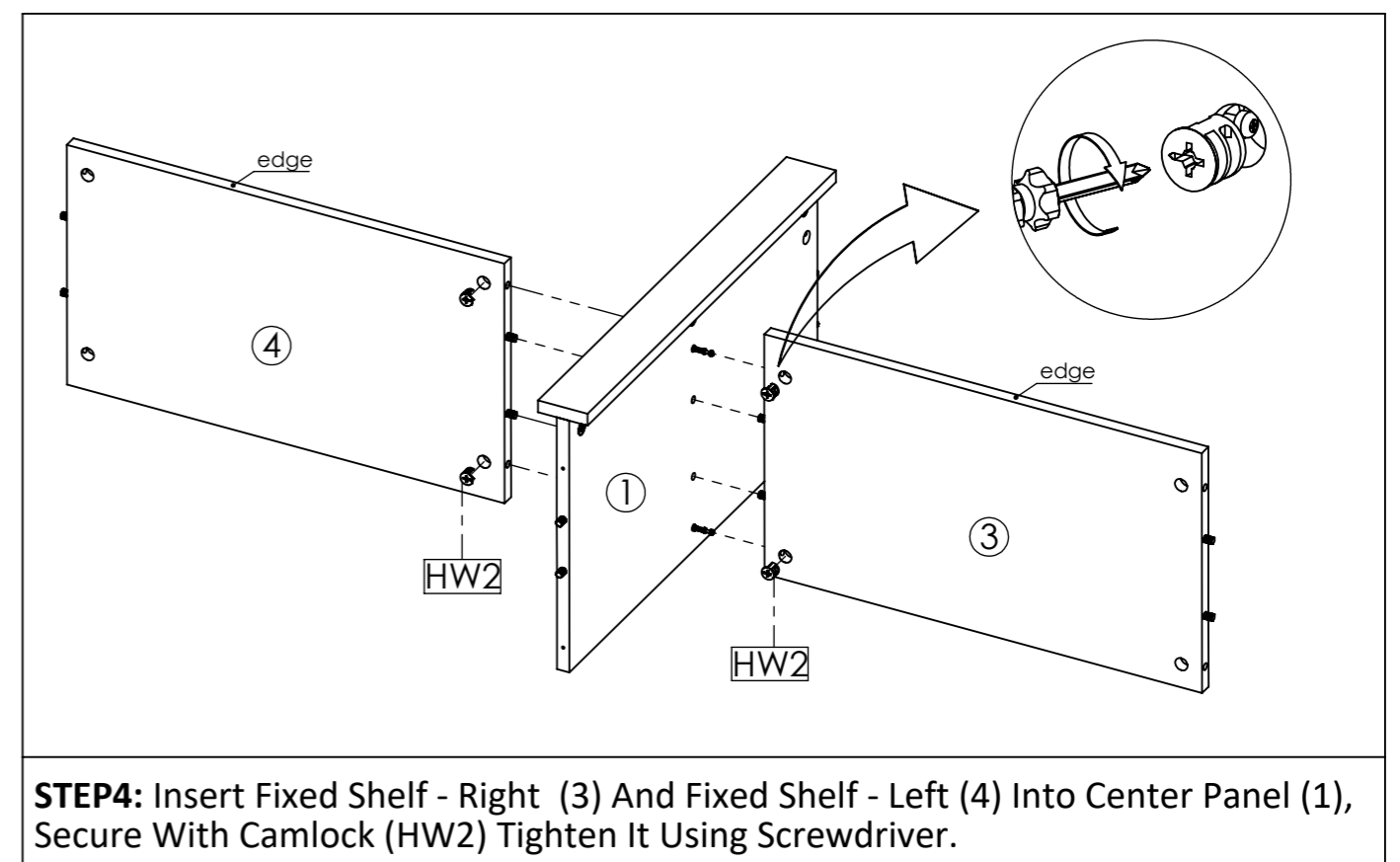
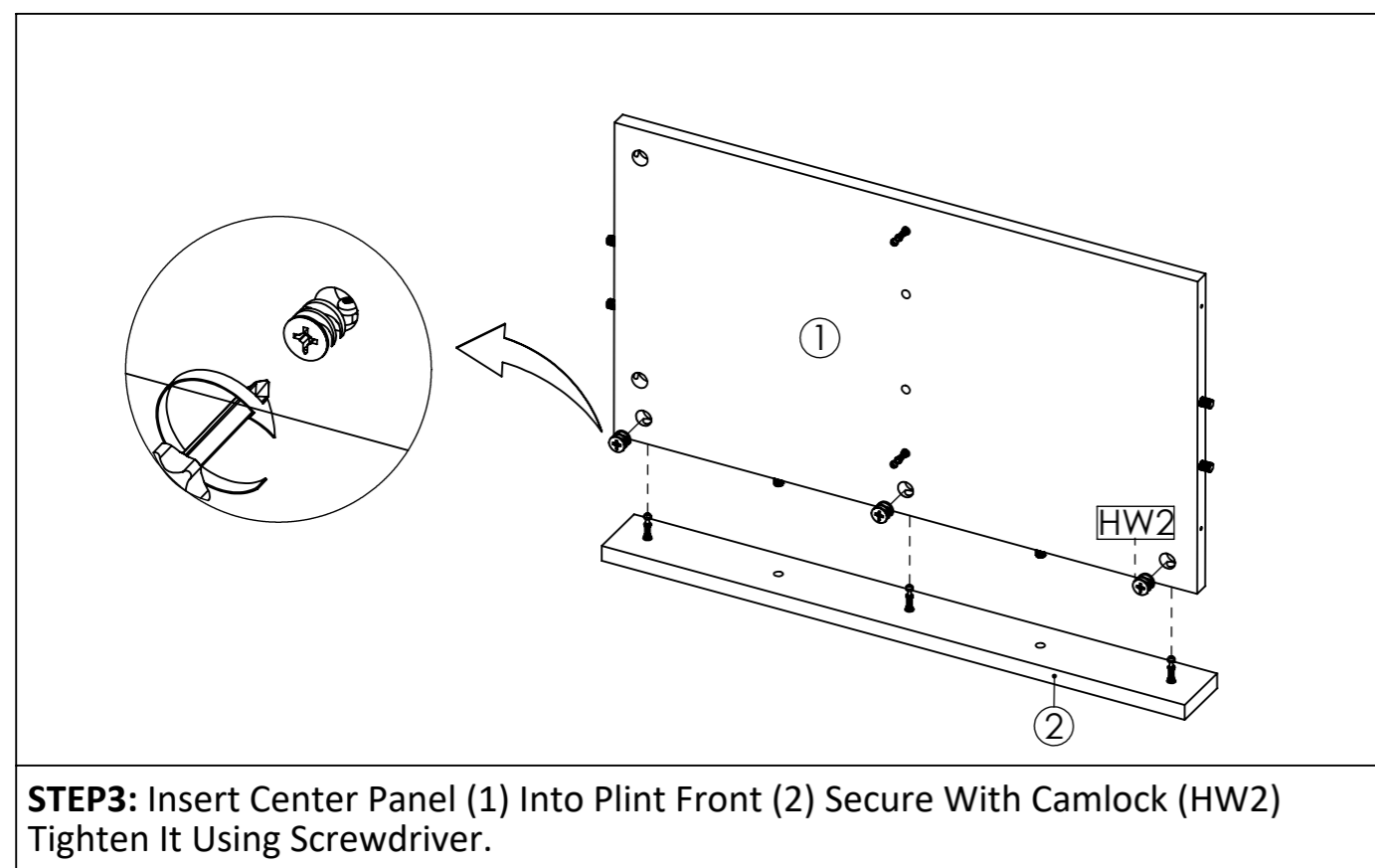
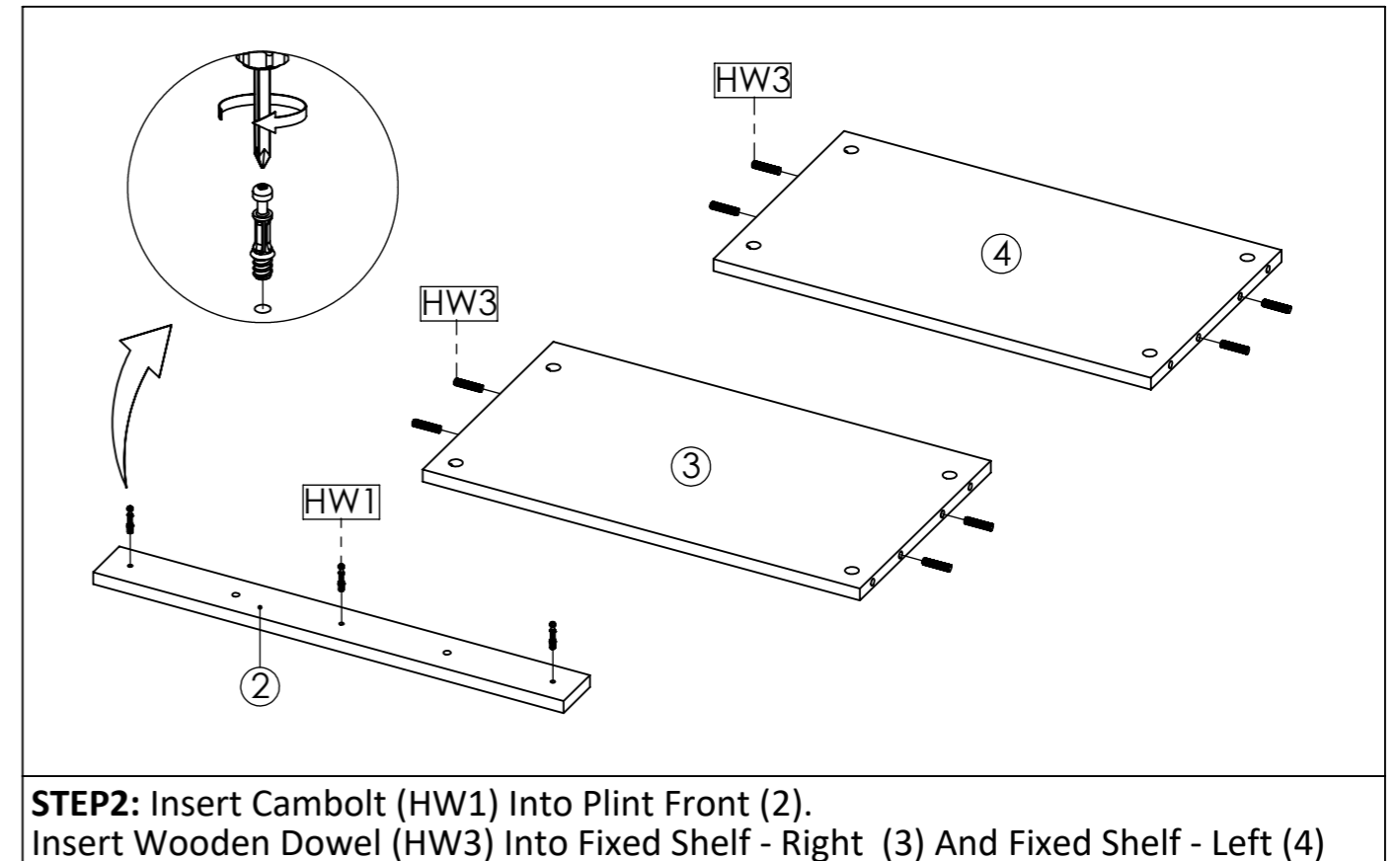
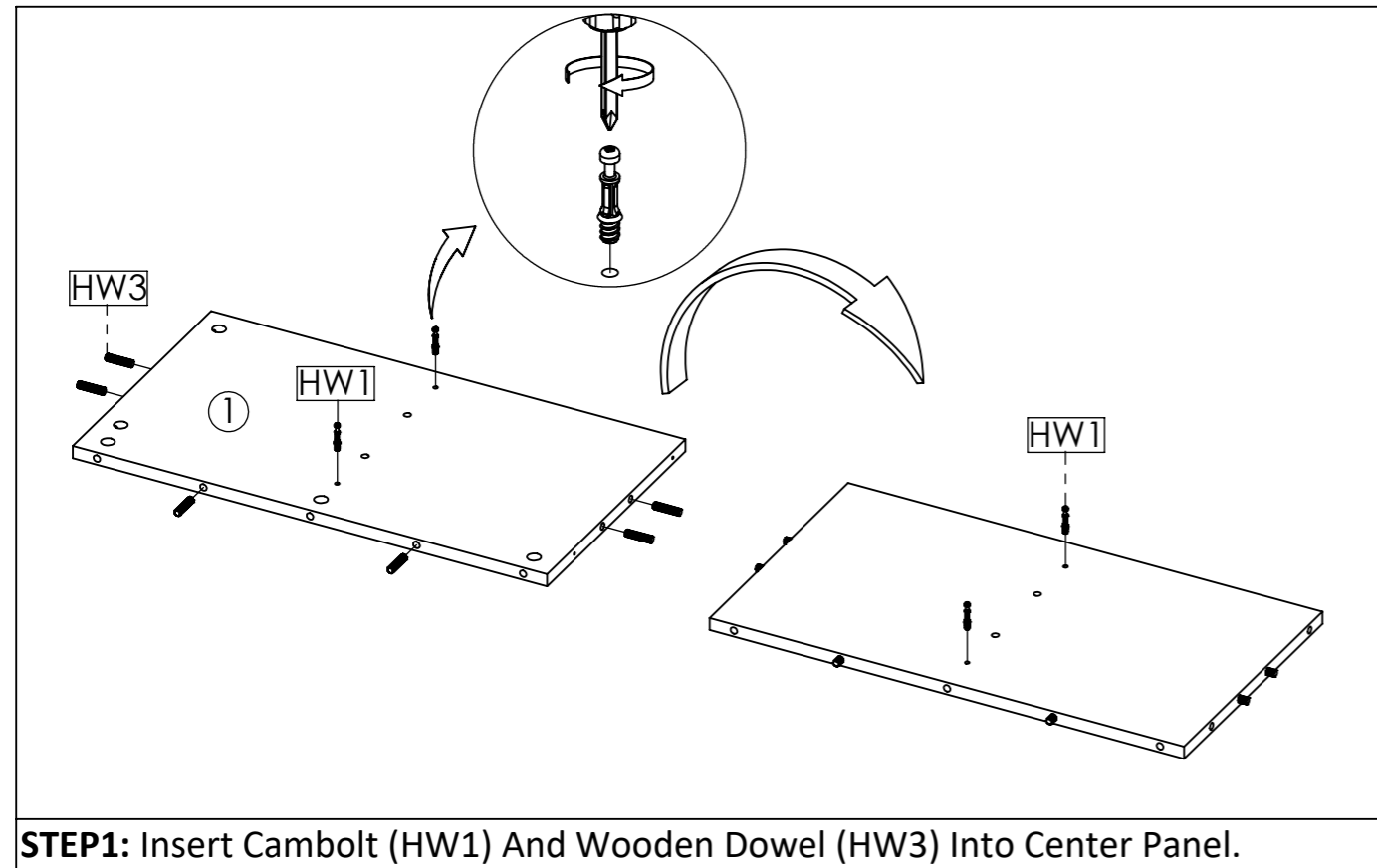
## Part List & HW

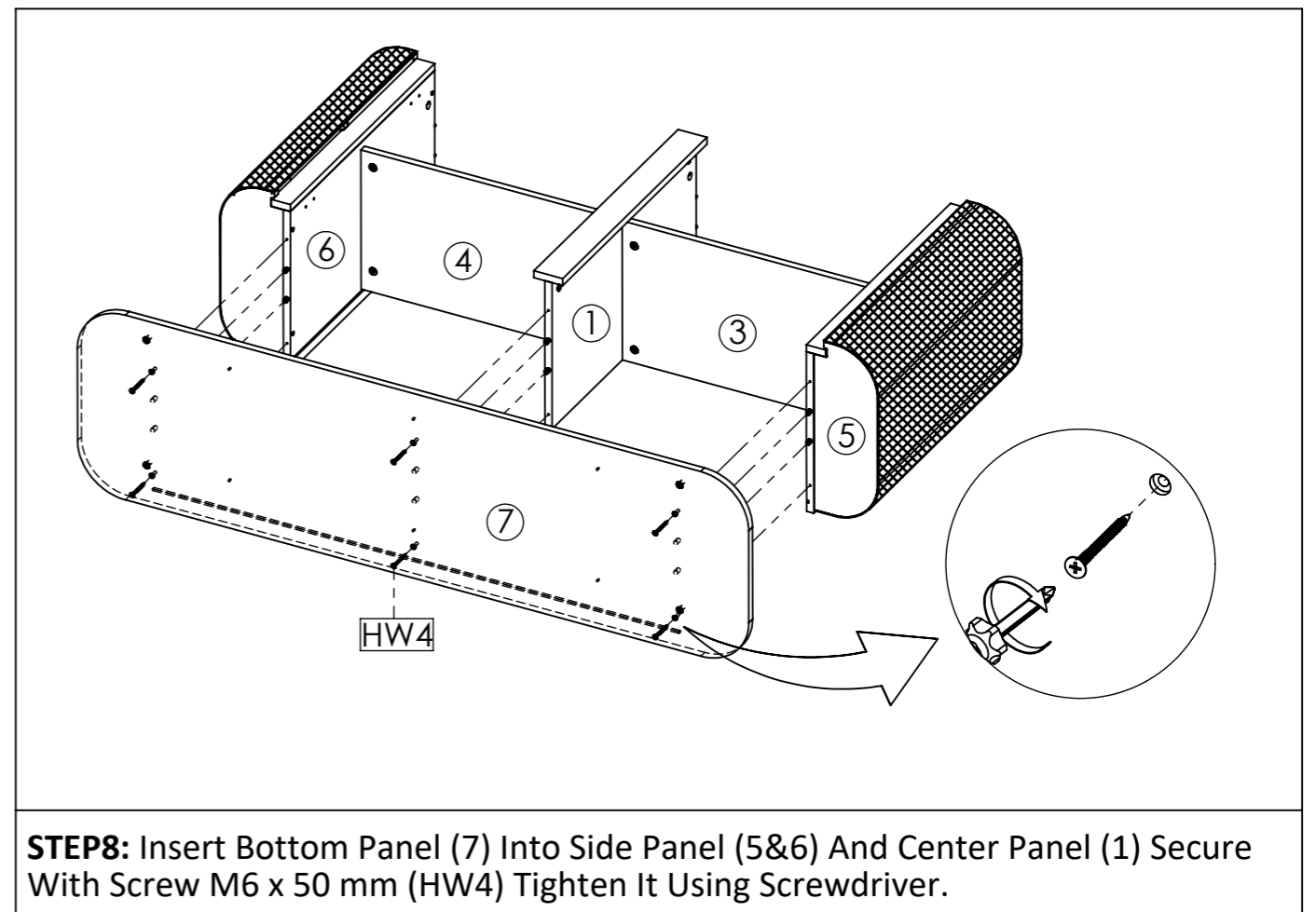
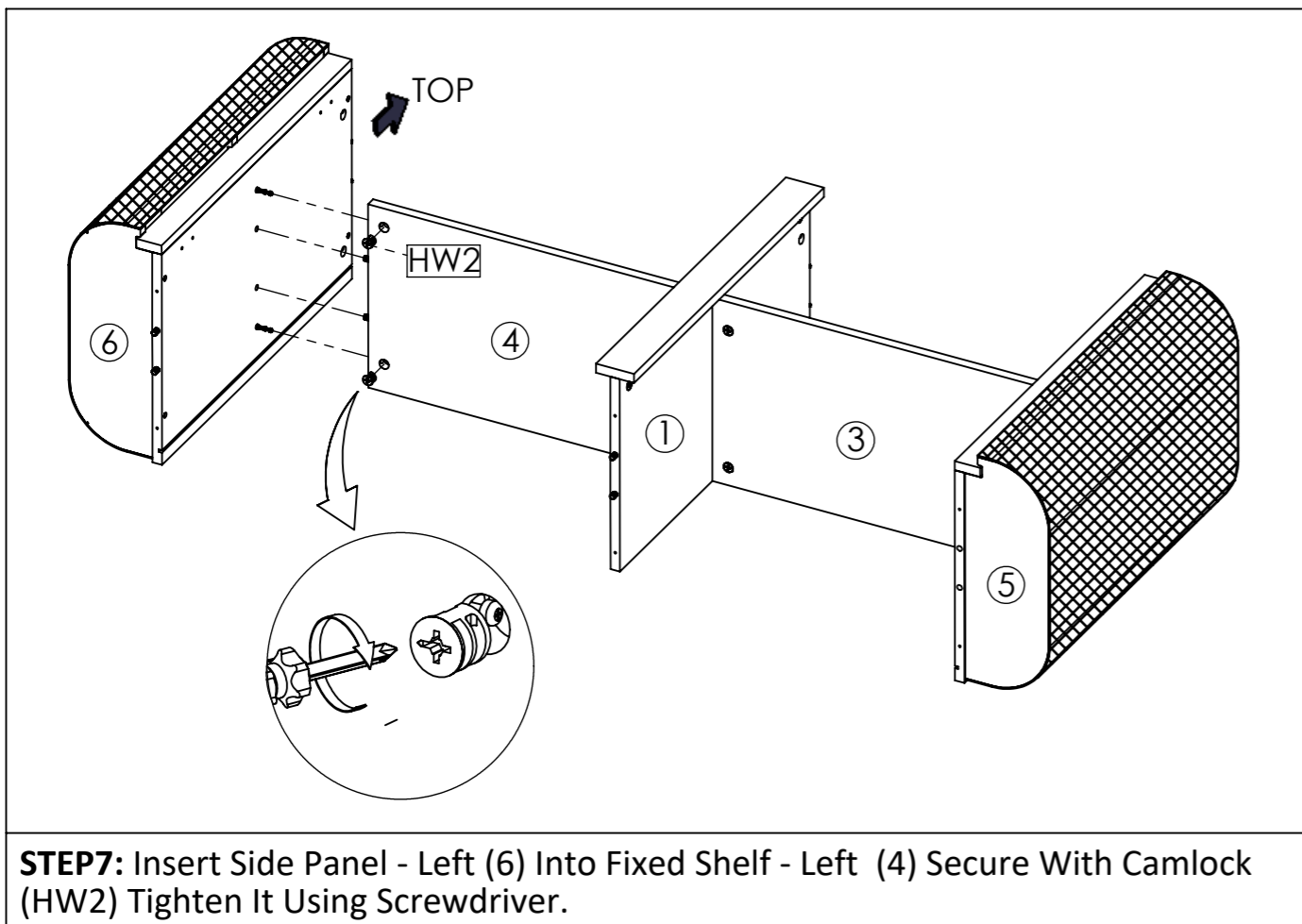
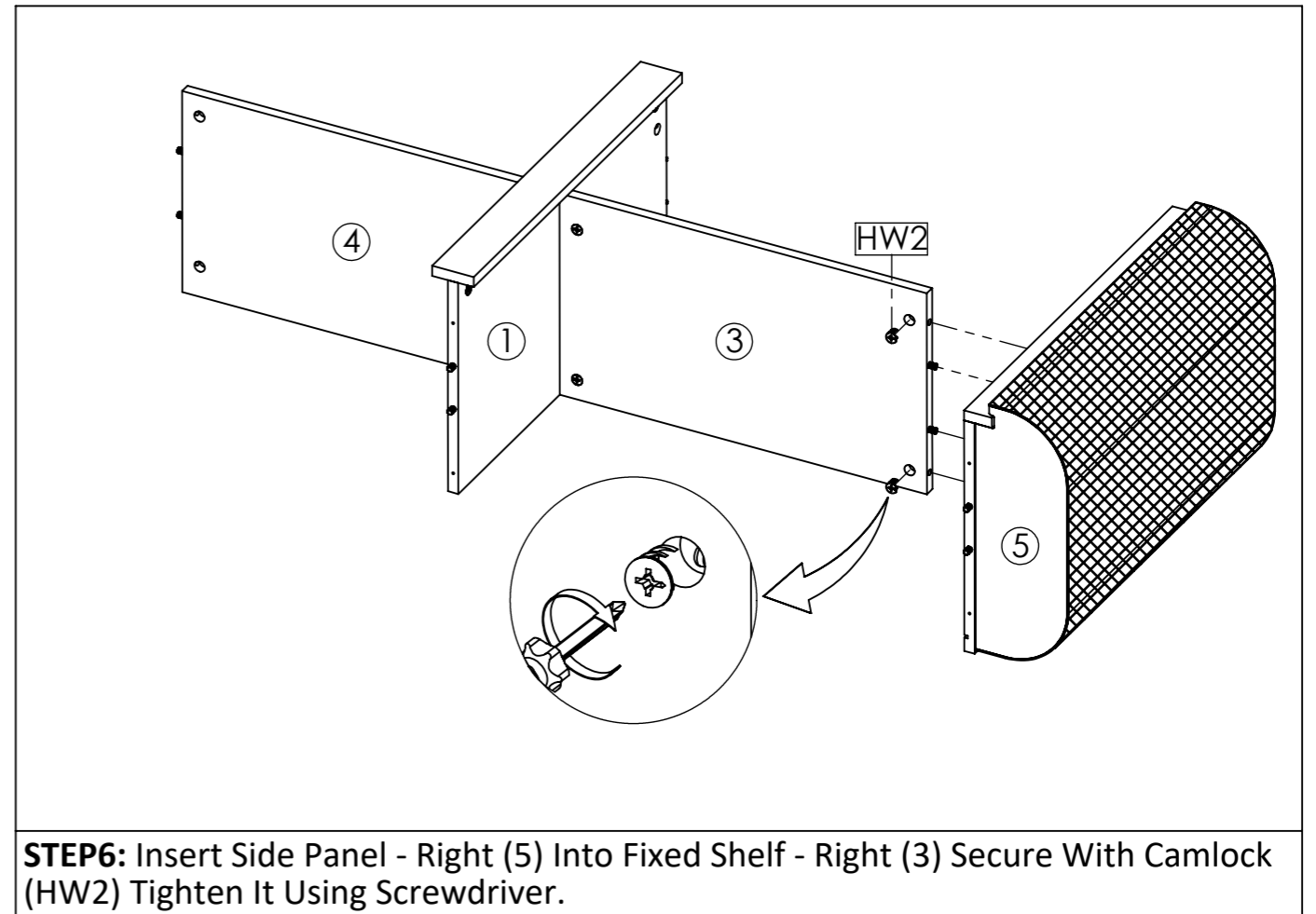
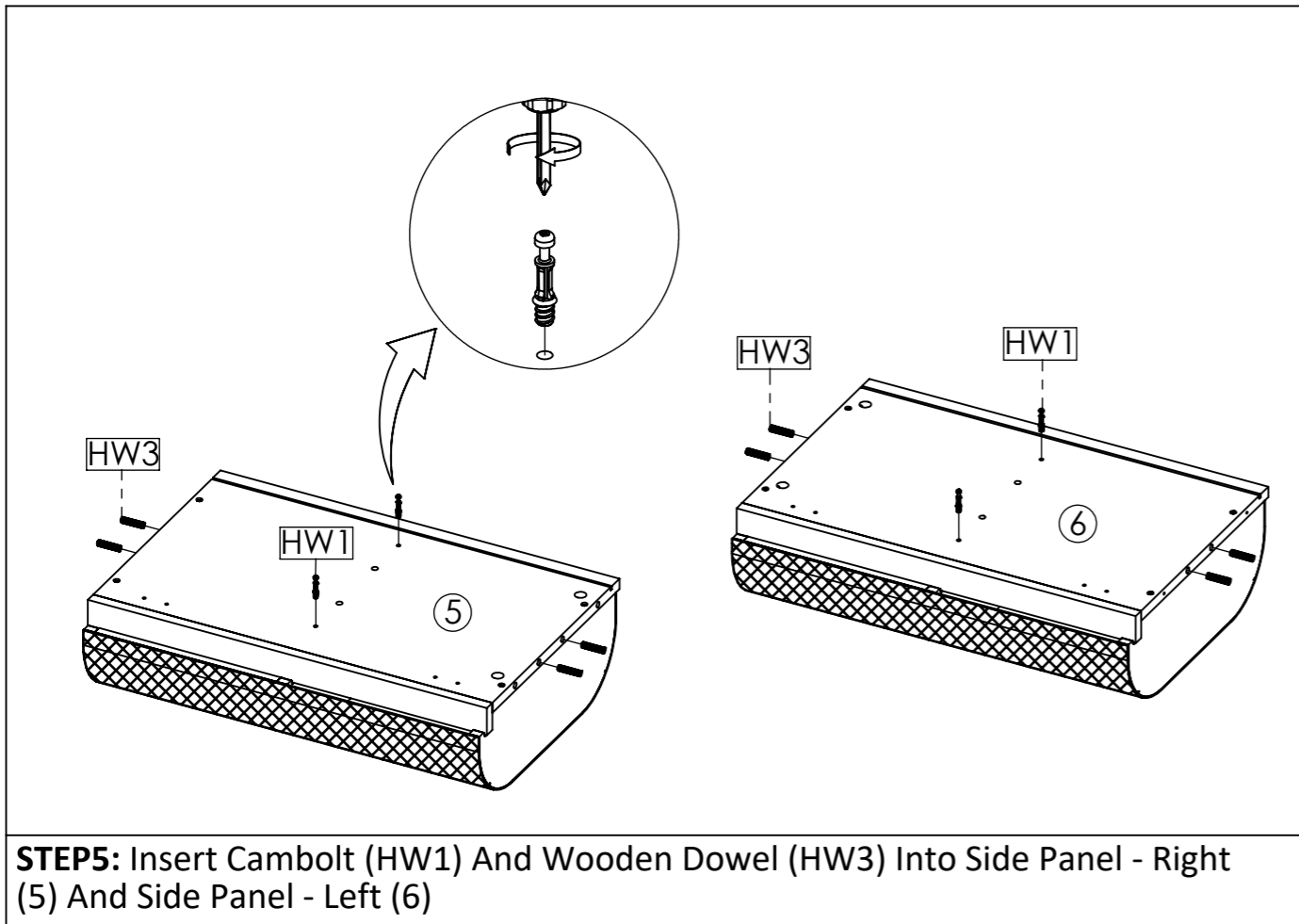
Piece	Description	Qty	Carton Call
1	Center Panel	1	2 OF 2
2	Plint Front	1	2 OF 2
3	Fixed Shelf - Right	1	2 OF 2
4	Fixed Shelf - Left	1	2 OF 2
5	Side Panel - Right	1	1 OF 2
6	Side Panel - Left	1	1 OF 2
7	Bottom Panel	1	1 OF 2
8	Back Panel	2	1 OF 2
9	Top Panel	1	1 OF 2
10	Door Panel	2	1 OF 2
11	Frame Support Leg	1	1 OF 2
12	Metal Leg	2	1 OF 2

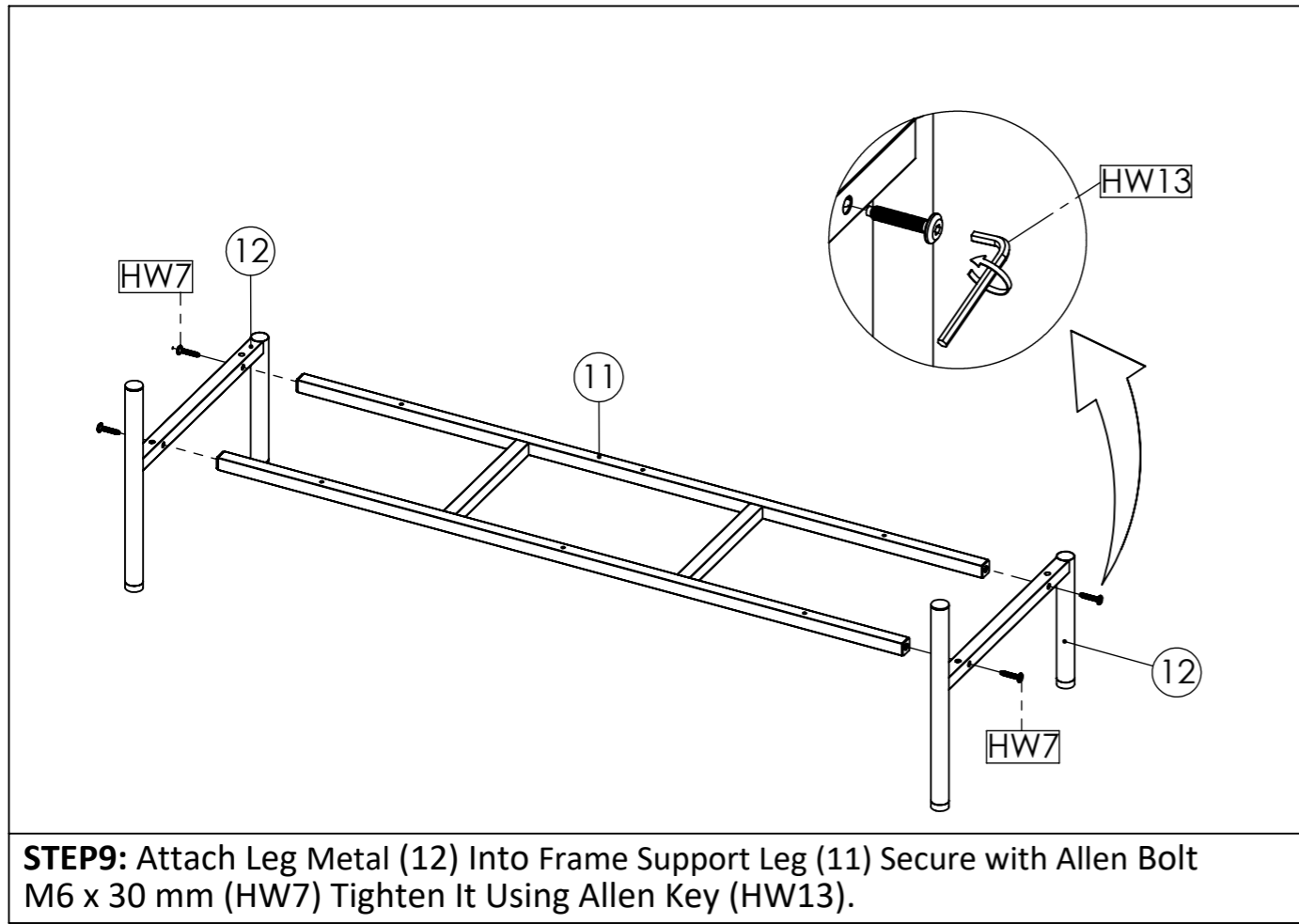
Piece	Description	Qty	Carton Call
HW1	Cambolt	17	1 OF 2
HW2	Camlock	17	1 OF 2
HW3	Wooden Dowel	22	1 OF 2
HW4	Screw M6 x 50 mm	6	1 OF 2
HW5	Screw M7 x 32 mm	6	1 OF 2
HW6	Screw M4 x 19 mm	12	1 OF 2
HW7	Allen Bolt M6 x 30 mm	8	1 OF 2
HW8	Screw M5 x 12 mm	16	1 OF 2
HW9	Metal Hinge	4	1 OF 2
HW10	Plastic Stopper	12	1 OF 2
HW11	Cover Cap Sticker	17	1 OF 2
HW12	List "H"	1	1 OF 2
HW13	Allen Key	1	1 OF 2
HW14	Bumper	4	1 OF 2
HW15	Screw M6 x 15 mm	4	1 OF 2
HW16	Anti-tip	2	1 OF 2
HW17	Screw M10 x 50 mm	4	1 OF 2
HW18	Fisher "S" 8	4	1 OF 2

## PREPARATION

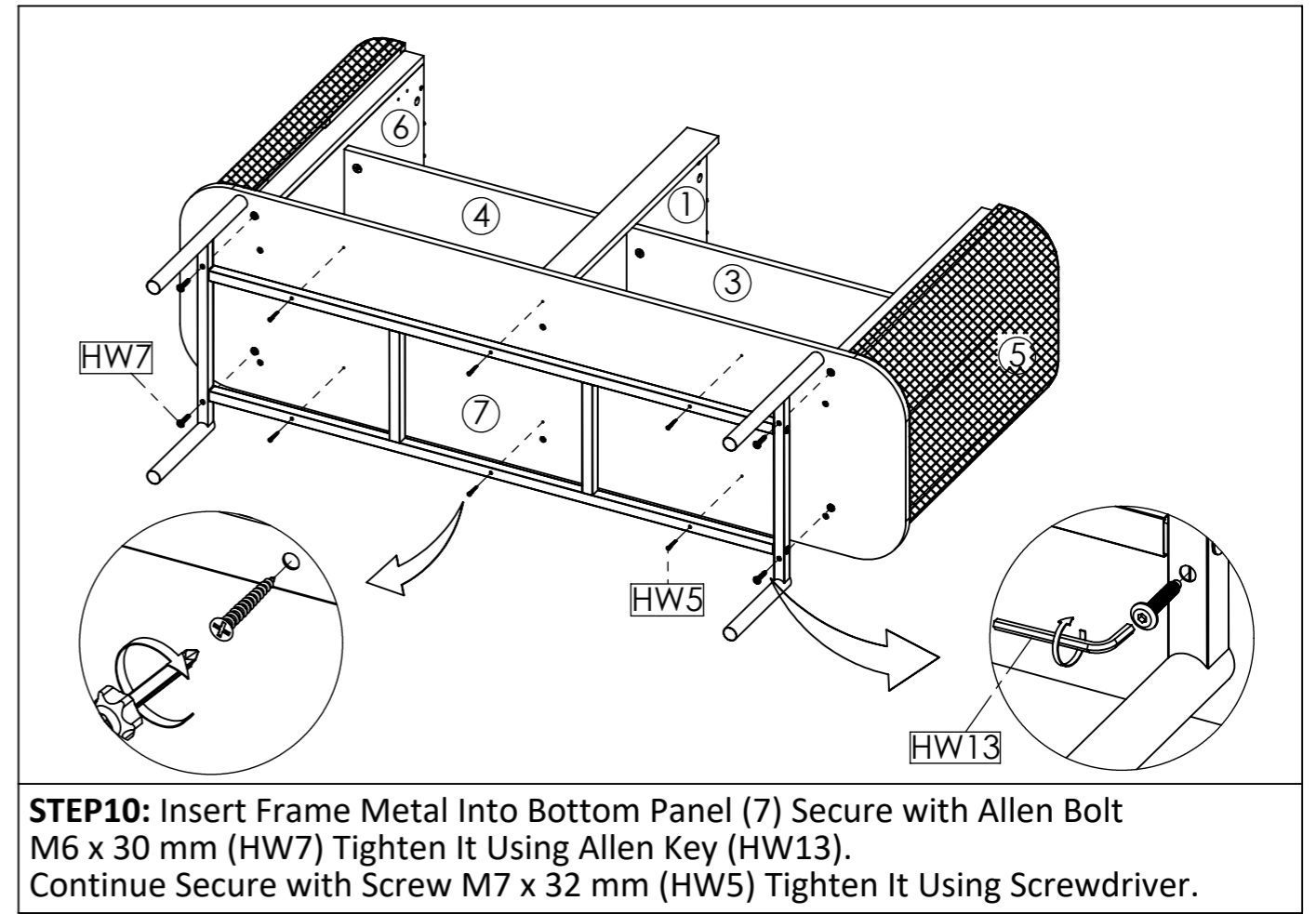
Before beginning assembly of product, make sure all part are present. Compare part with part contents list and hardware contents list.  
If any part is missing or damaged, do not attempt to assemble the product.  
Estimated Assembly Time: 60 minutes.



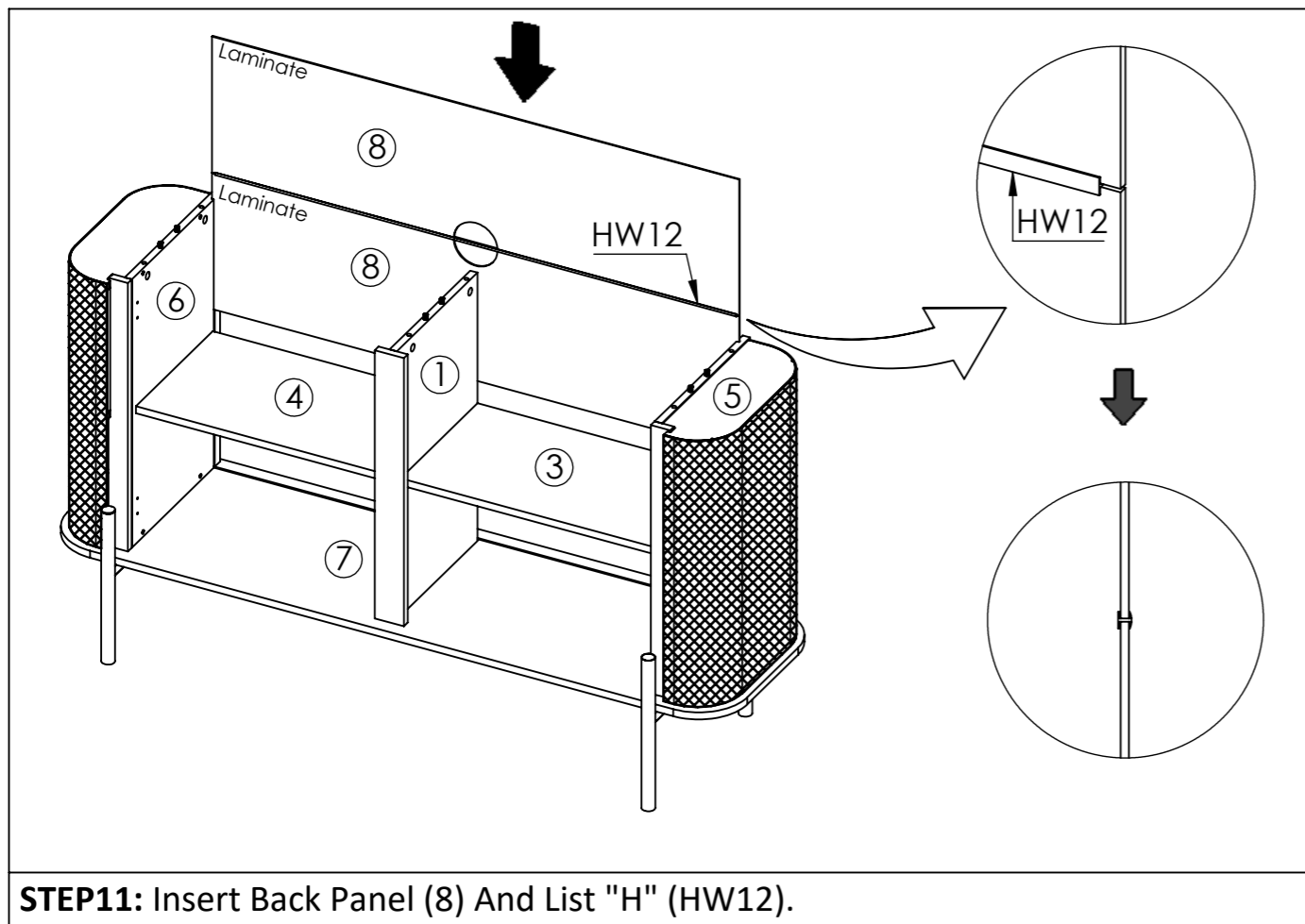




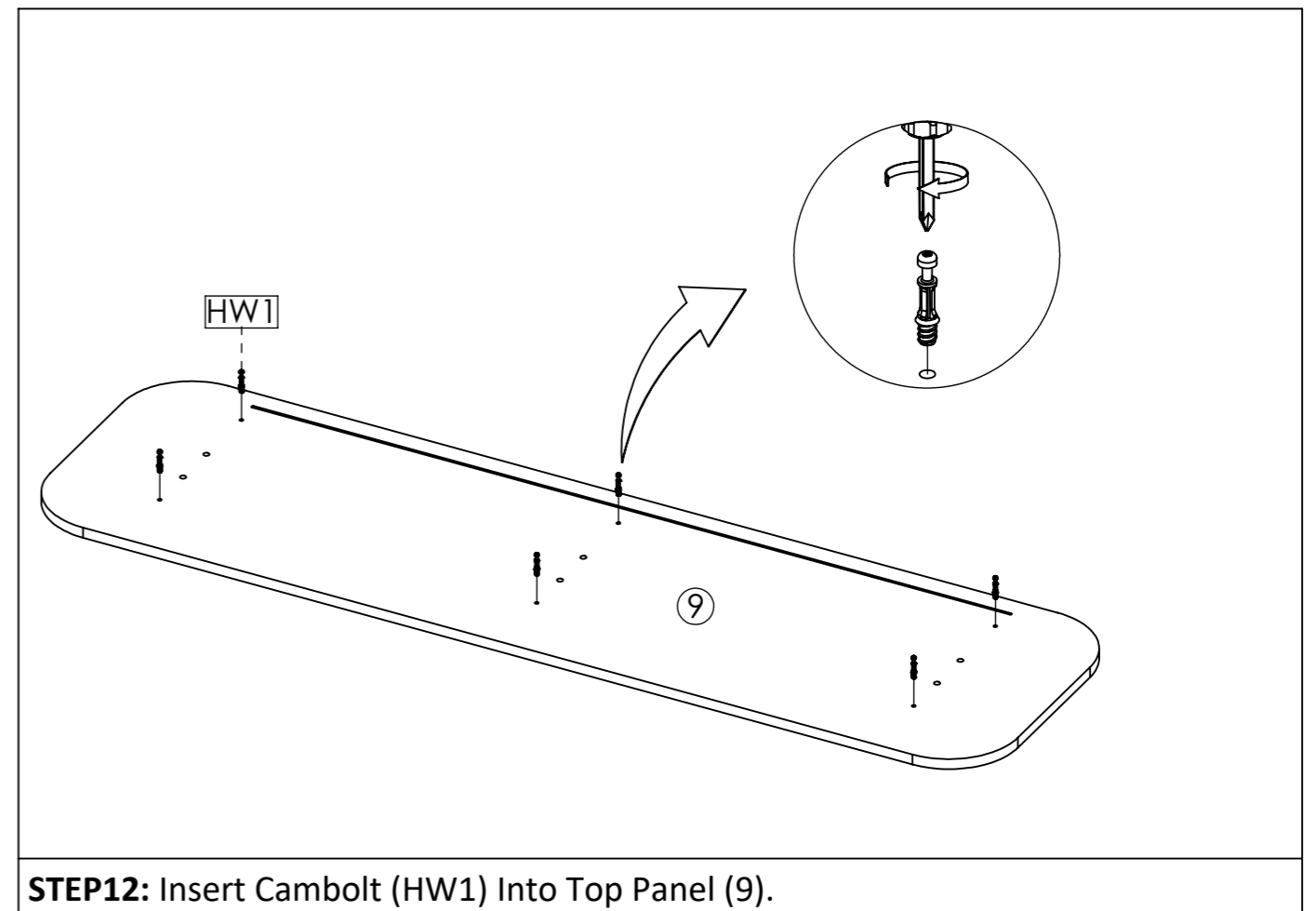
**STEP9:** Attach Leg Metal (12) Into Frame Support Leg (11) Secure with Allen Bolt M6 x 30 mm (HW7) Tighten It Using Allen Key (HW13).



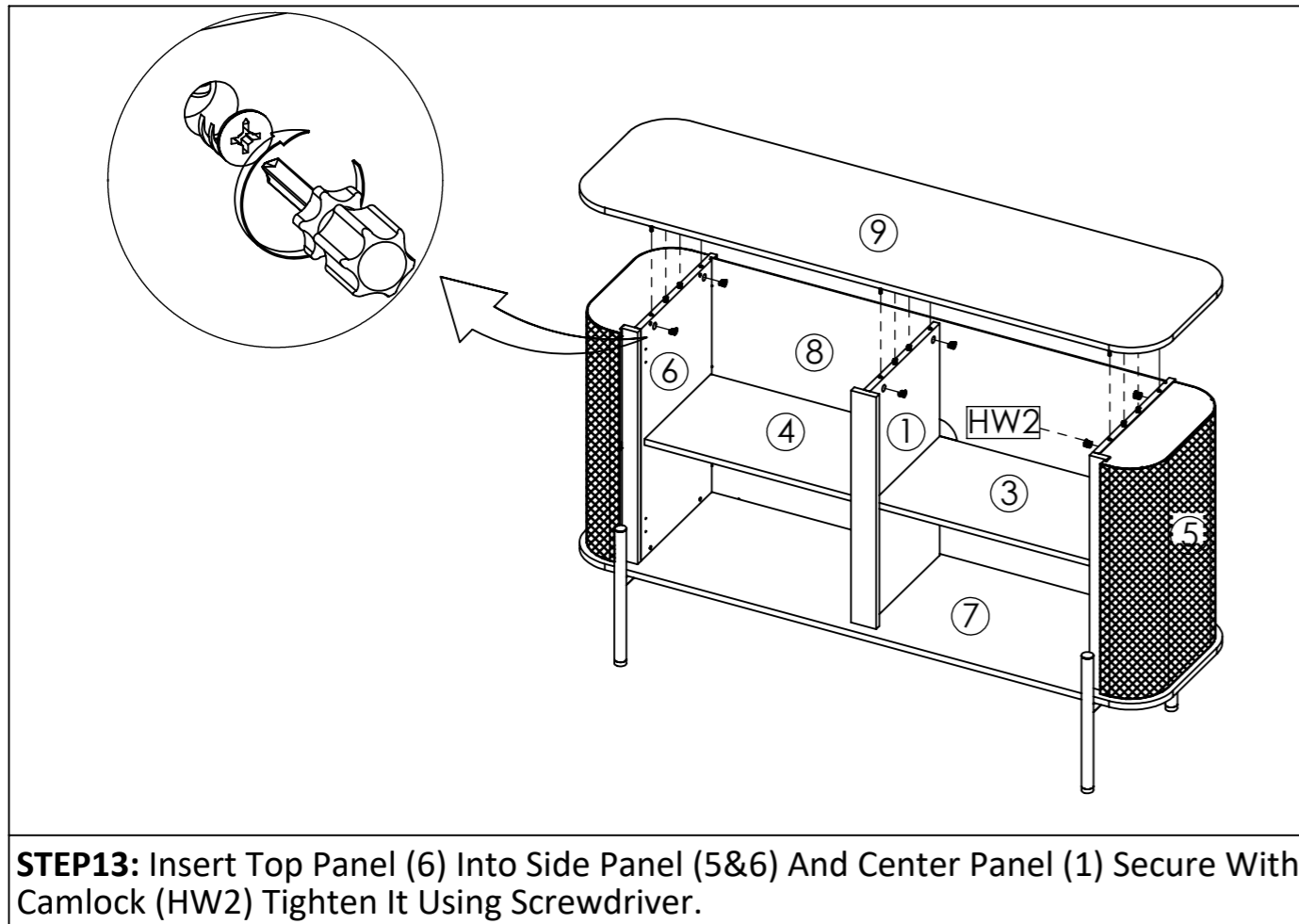
**STEP10:** Insert Frame Metal Into Bottom Panel (7) Secure with Allen Bolt M6 x 30 mm (HW7) Tighten It Using Allen Key (HW13). Continue Secure with Screw M7 x 32 mm (HW5) Tighten It Using Screwdriver.



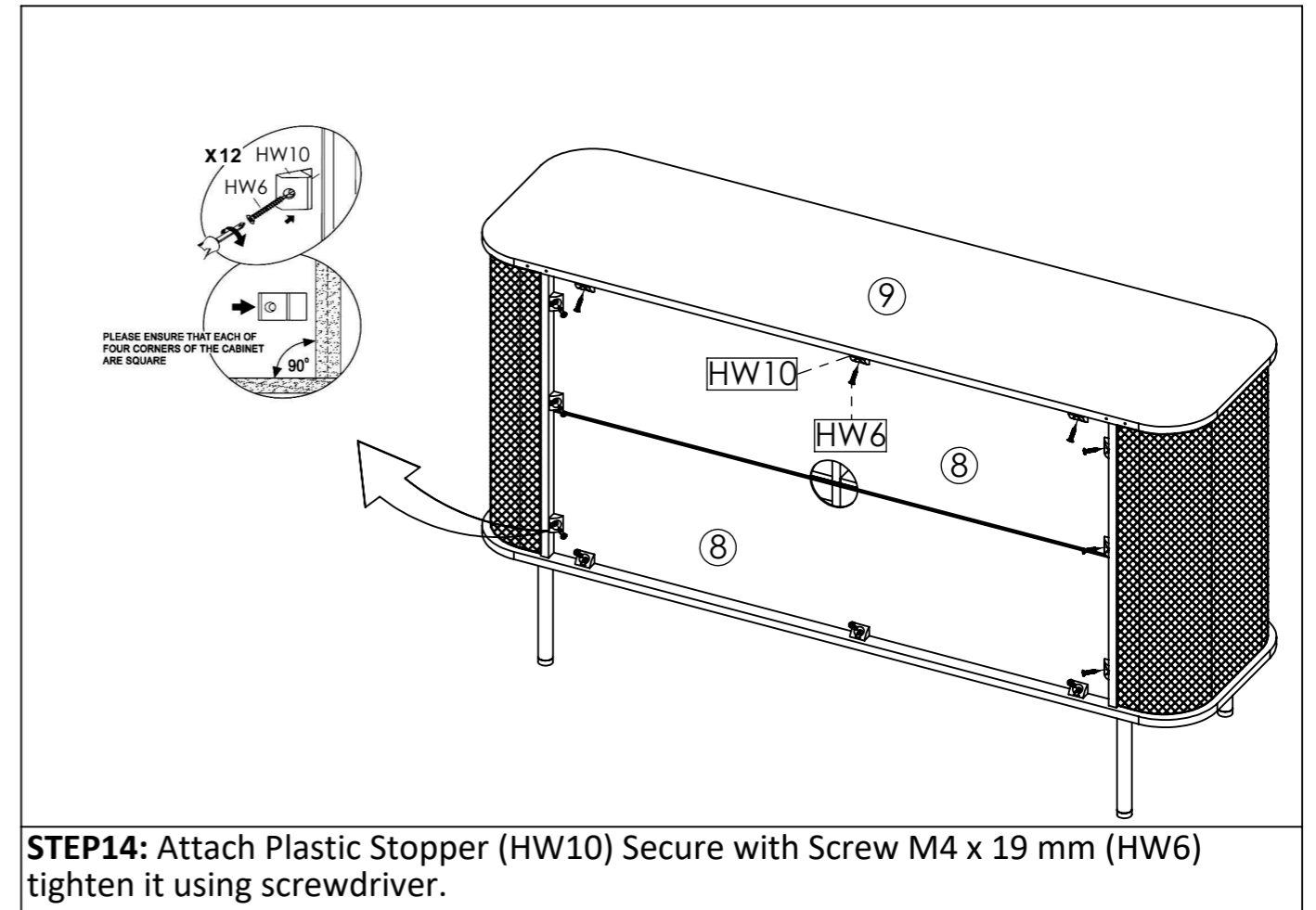
**STEP11:** Insert Back Panel (8) And List "H" (HW12).



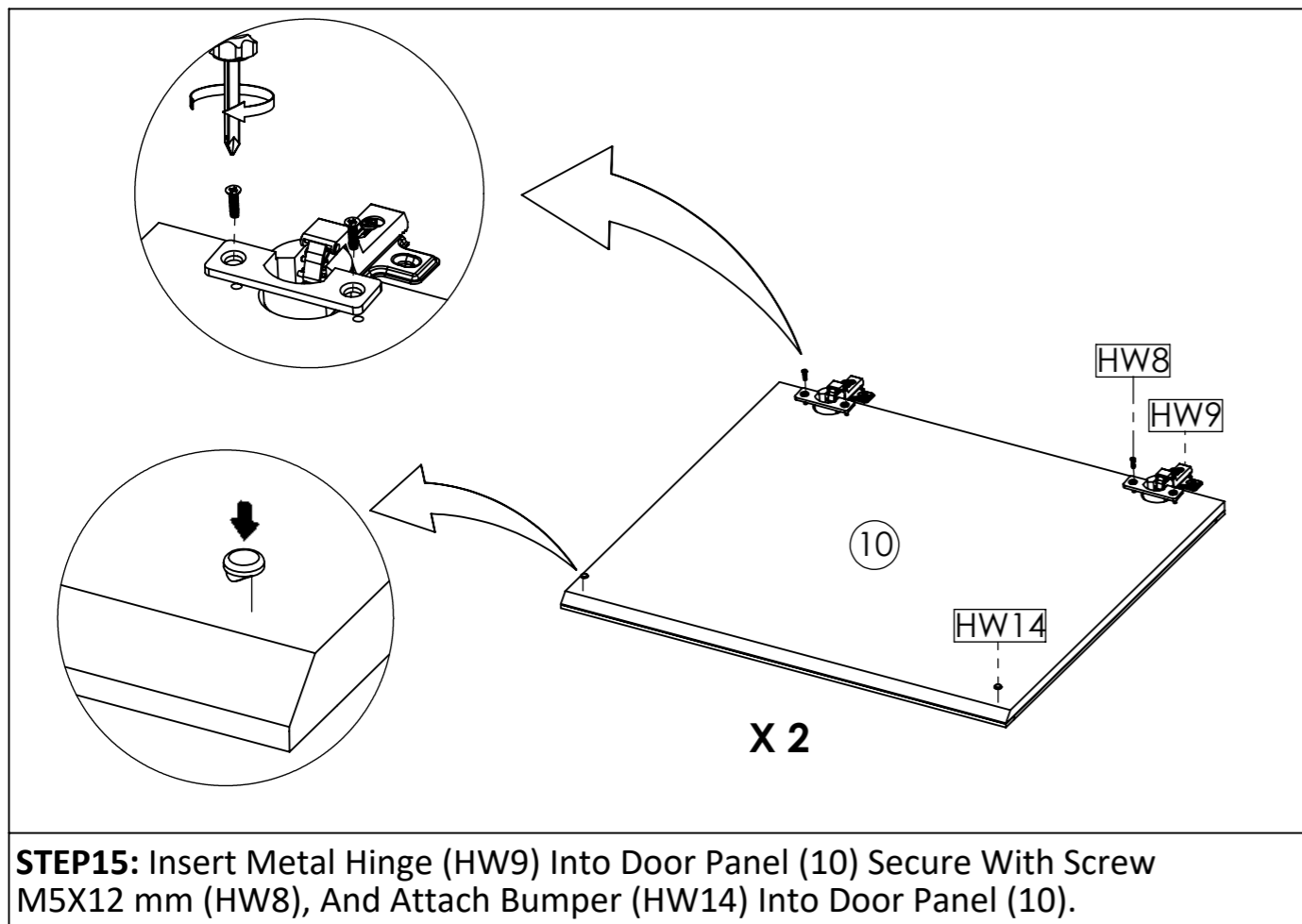
**STEP12:** Insert Cambolt (HW1) Into Top Panel (9).



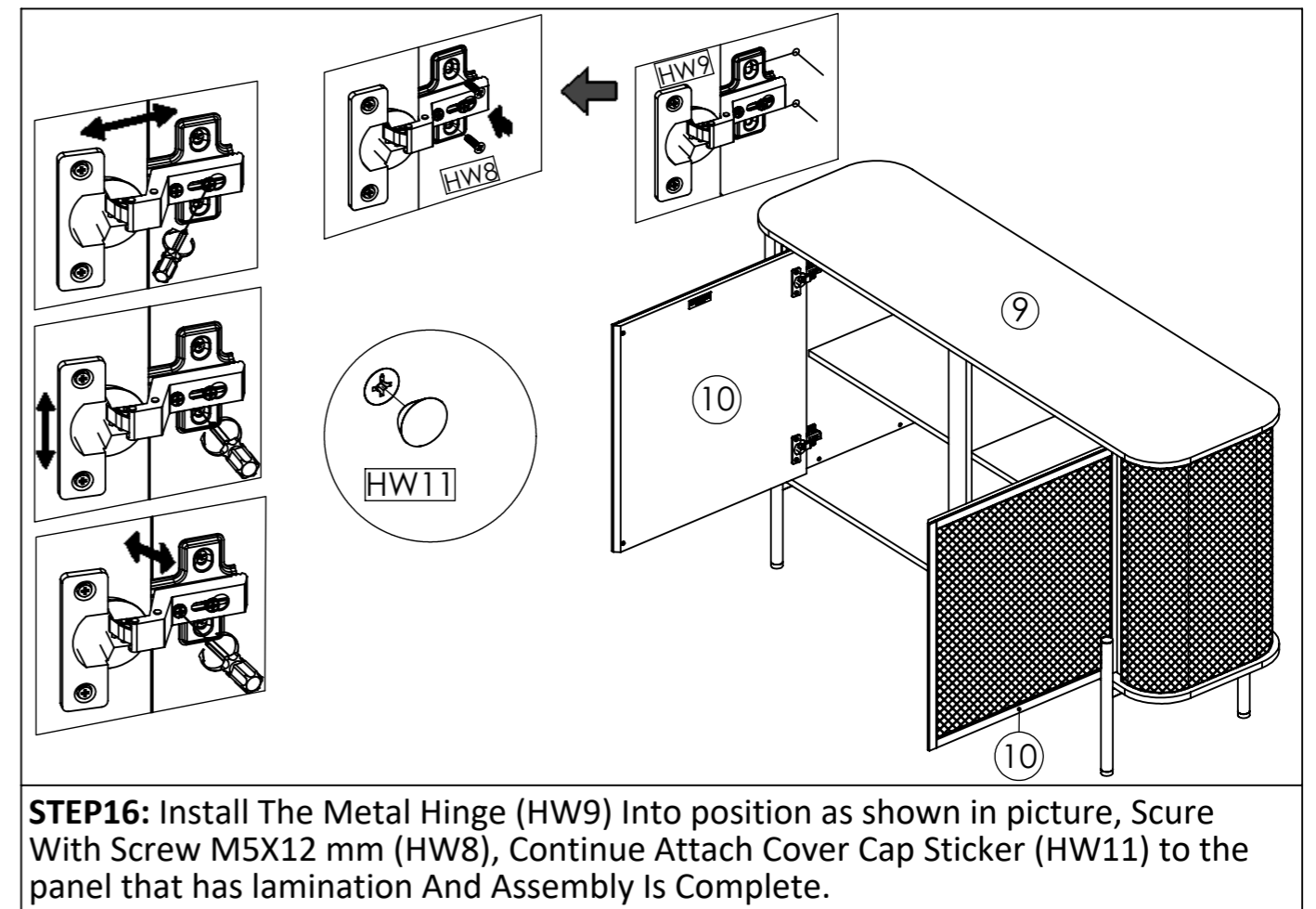
**STEP13:** Insert Top Panel (6) Into Side Panel (5&6) And Center Panel (1) Secure With Camlock (HW2) Tighten It Using Screwdriver.



**STEP14:** Attach Plastic Stopper (HW10) Secure with Screw M4 x 19 mm (HW6) tighten it using screwdriver.



**STEP15:** Insert Metal Hinge (HW9) Into Door Panel (10) Secure With Screw M5X12 mm (HW8), And Attach Bumper (HW14) Into Door Panel (10).



**STEP16:** Install The Metal Hinge (HW9) Into position as shown in picture, Scure With Screw M5X12 mm (HW8), Continue Attach Cover Cap Sticker (HW11) to the panel that has lamination And Assembly Is Complete.

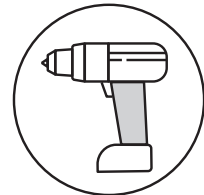


# ANTI-TIP RESTRAINT INSTALLATION

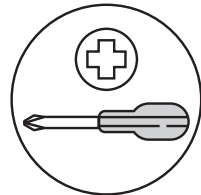
## ! WARNING!

Children have died from furniture tipover.  
To reduce the risk of furniture tipover:

- ALWAYS install tipover restraint provided.
- NEVER allow children to stand, climb or hang on drawers, doors, or shelves.
- NEVER open more than one drawer at a time.
- Place heaviest items in the lower drawers.



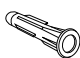
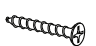



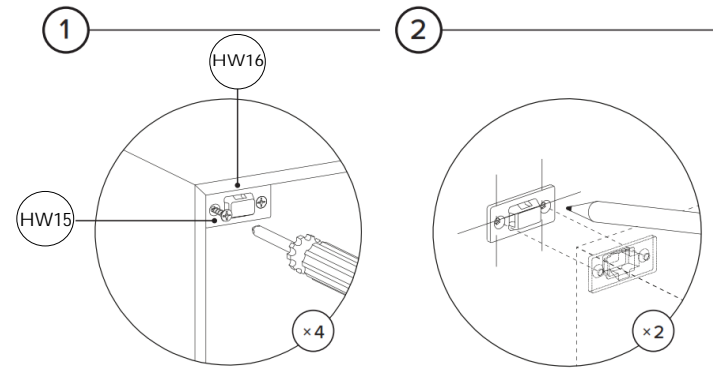
**REQUIRED TOOL**  
8MM / 5/16" DRILL BIT



**REQUIRED TOOL**

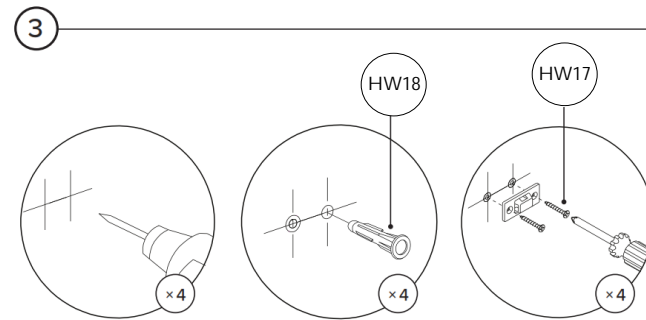
**!** Hardware (HW18 / HW17) to attach brackets to wall is designed for drywall. To attach this unit to another type of wall, consult with your local hardware store.

ANTI-TIP RESTRAINT PACK			
ID	DESCRIPTION		QTY
HW16	BRACKET		4
HW15	M6 × 15MM SCREW		4
HW18	M8 × 35MM PLUG		4
HW17	M10 × 50MM SCREW		4
HW16	STRAP		2

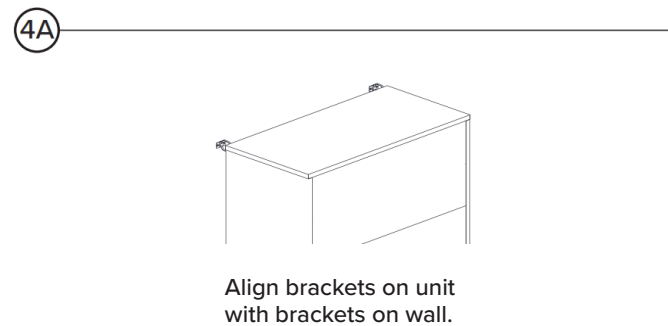


Attach pair of brackets to "Top Panel" of the unit. Note there are no existing pilot holes on the product.

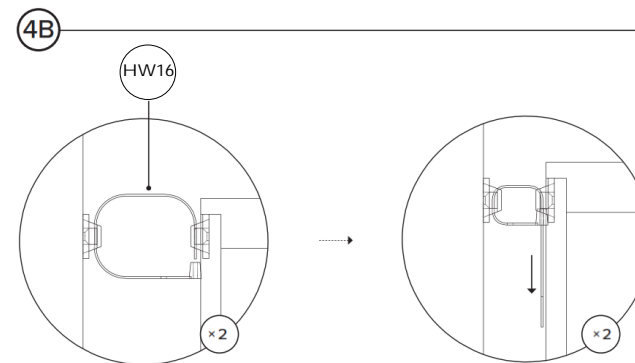
Mark on wall where second pair of brackets should be placed.



Drill holes in wall using 8mm / 5/16" drill bit.



Align brackets on unit with brackets on wall.



Pull strap down until it snap-locks.