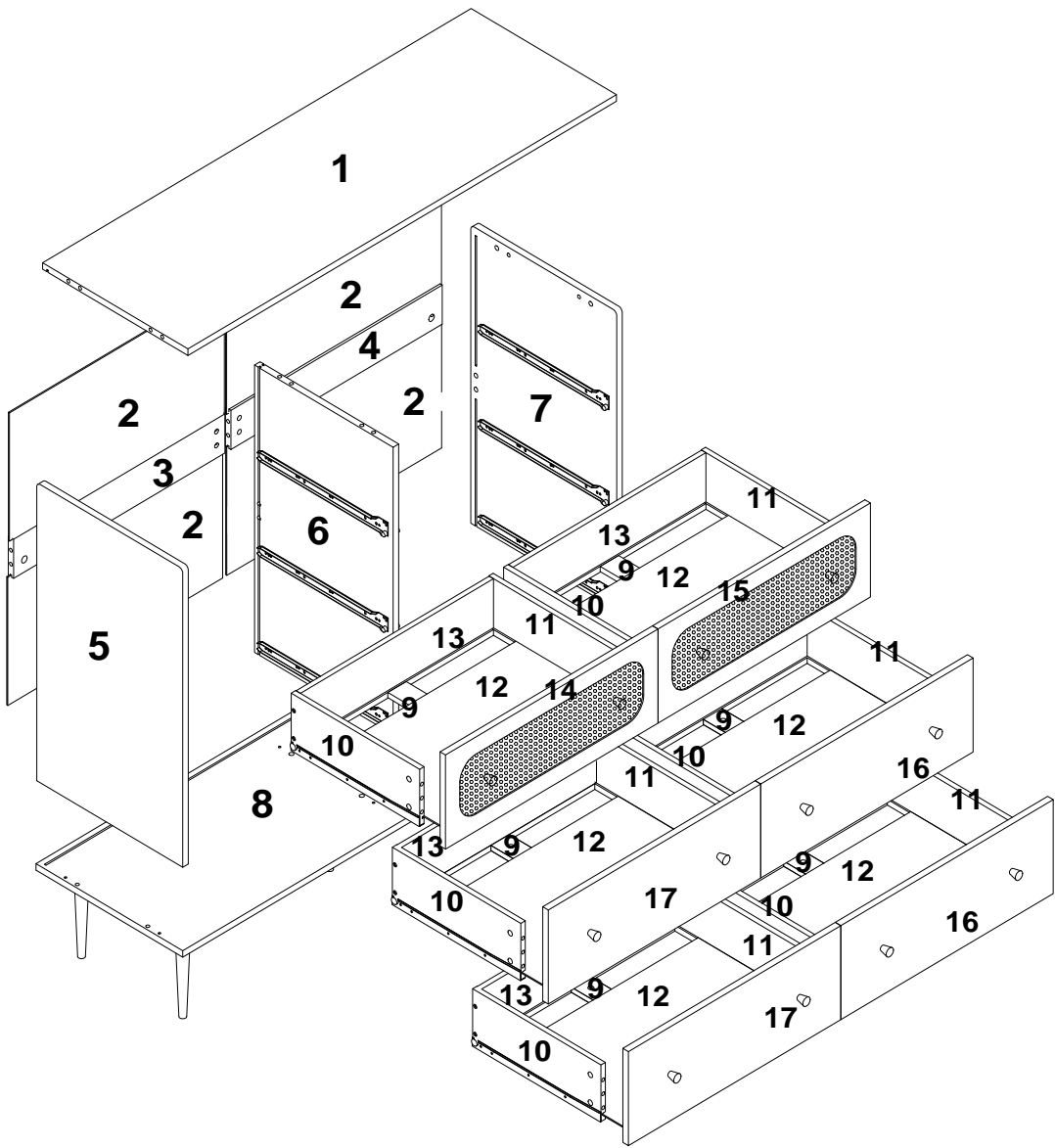


## UESR'S MANUAL

---



A\*34



B\*12

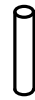


C\*12



Φ8\*30

D\*12



Φ6\*30

E\*30



Φ3.5\*30

F\*12



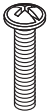
G\*20



H\*12

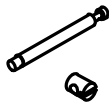


I\*12



M4\*20

J\*2



K\*72



Φ3.5\*14

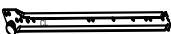
L\*36



O\*2



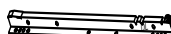
CL\*6



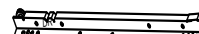
CR\*6



DL\*6



DR\*6



K\*36

CL\*6

CR\*6

DL\*6

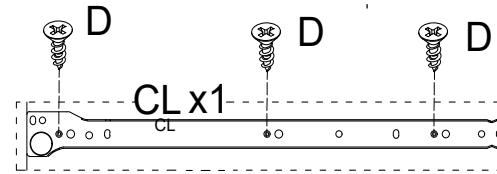
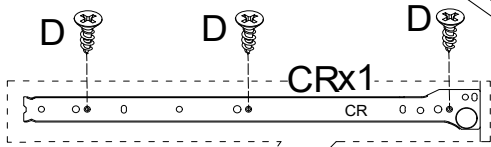
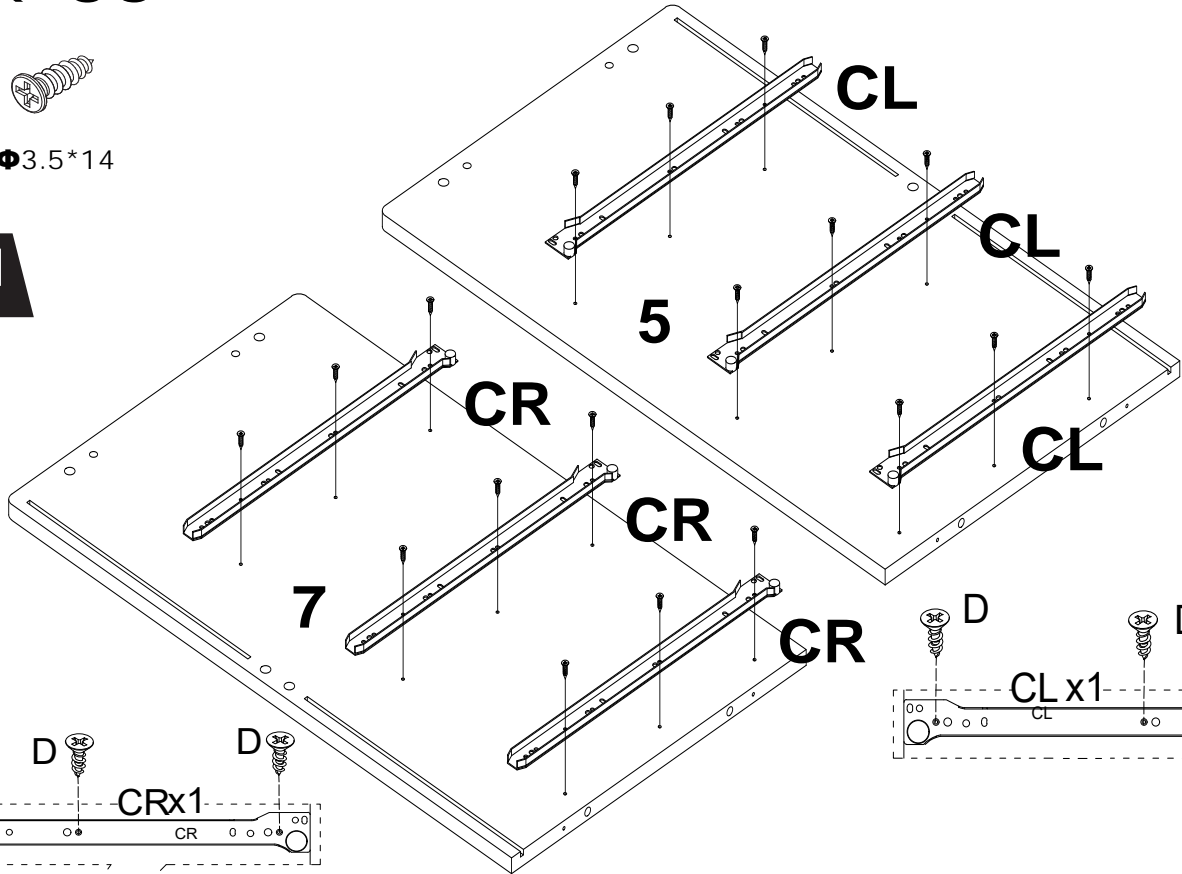
DR\*6



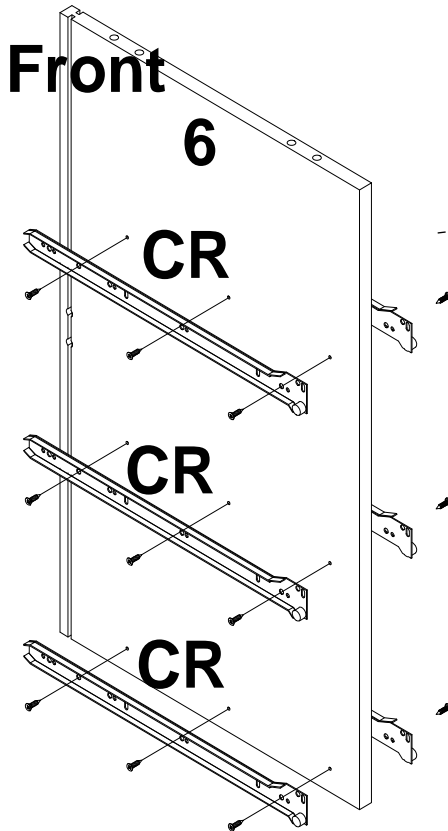
Φ3.5\*14



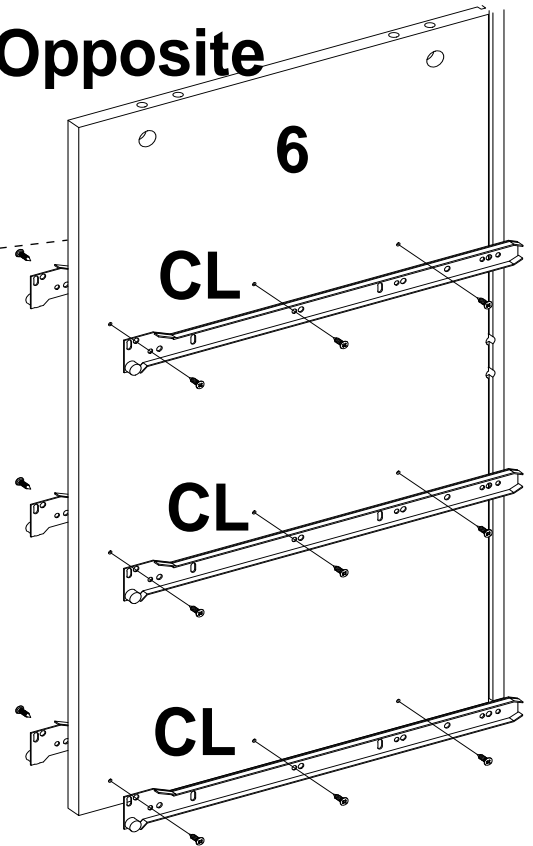
Step 1



Front



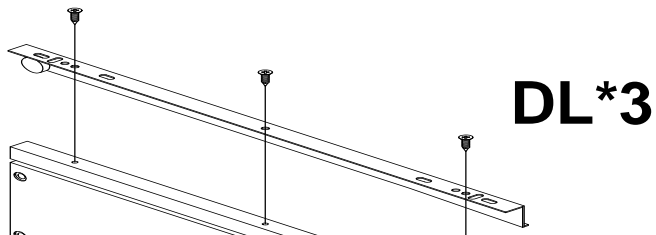
Opposite



K\*36



Φ3.5\*14



DL\*3



DR\*3

10

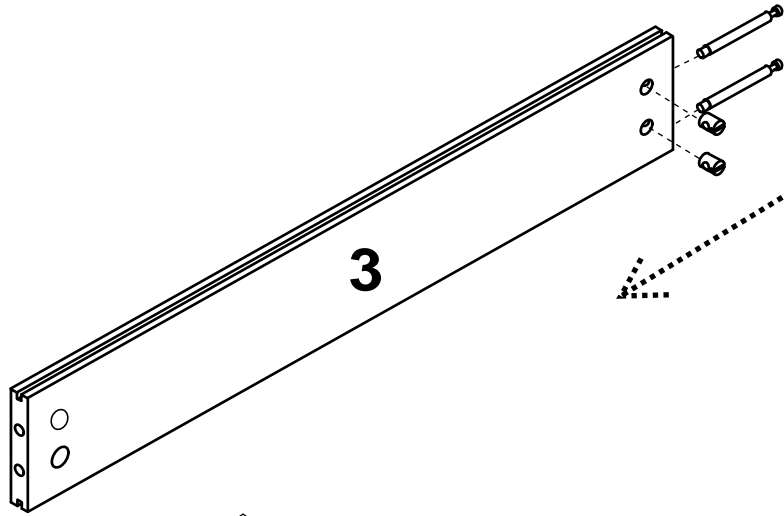
\*6

11

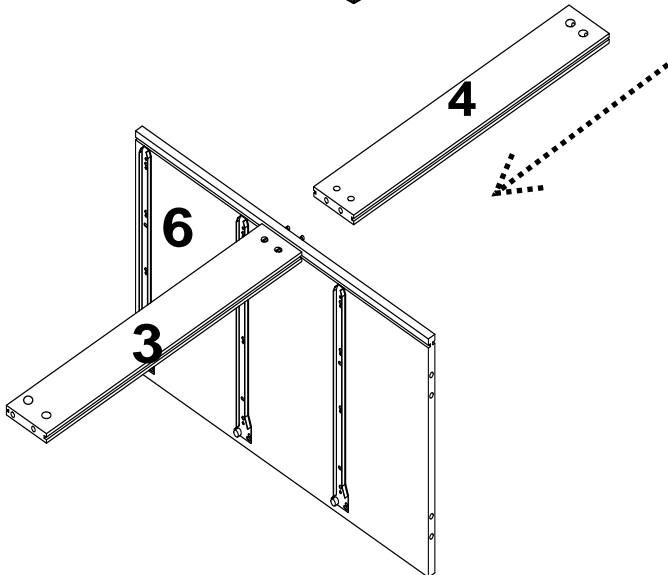
\*6

Step 2

K\*2



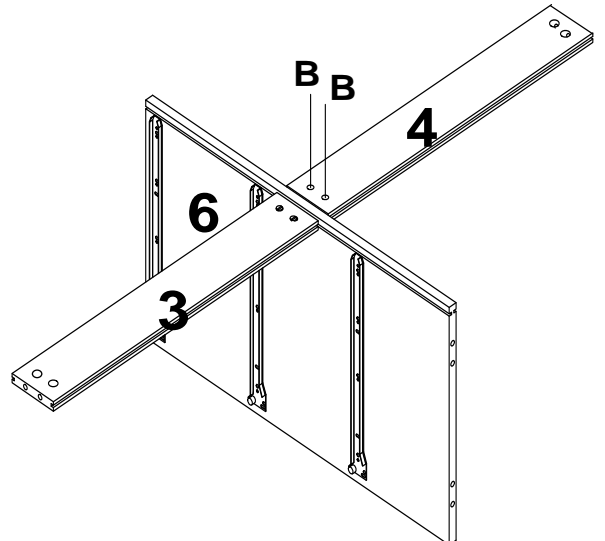
3



4

6

3



B B

4

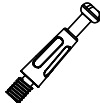

6

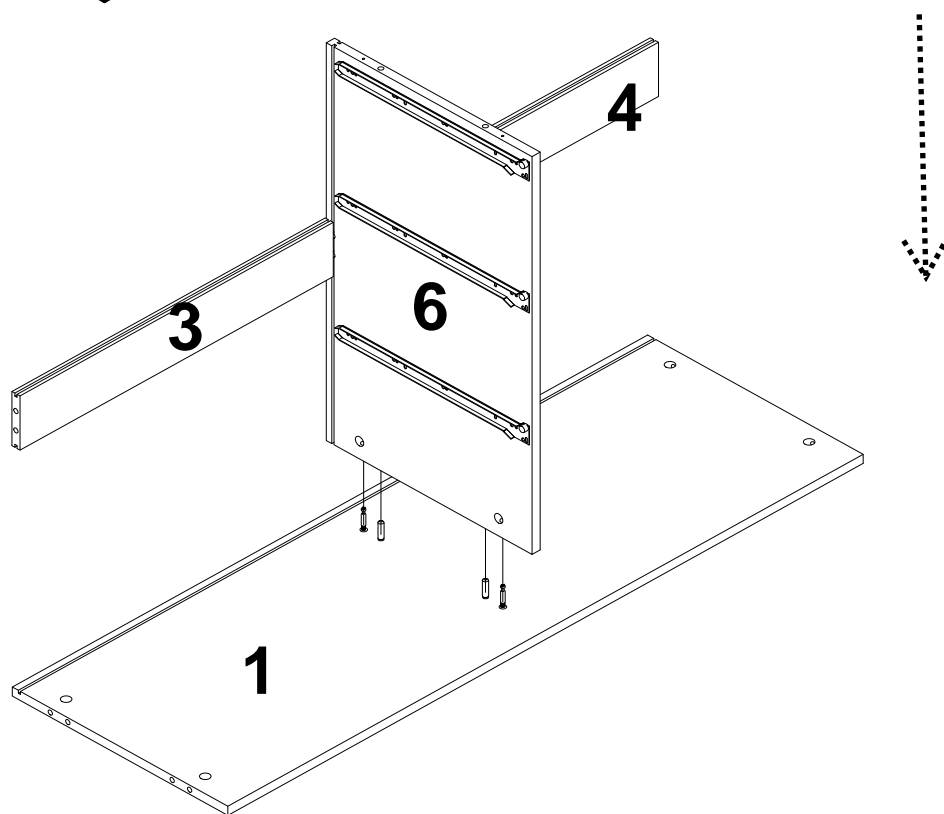
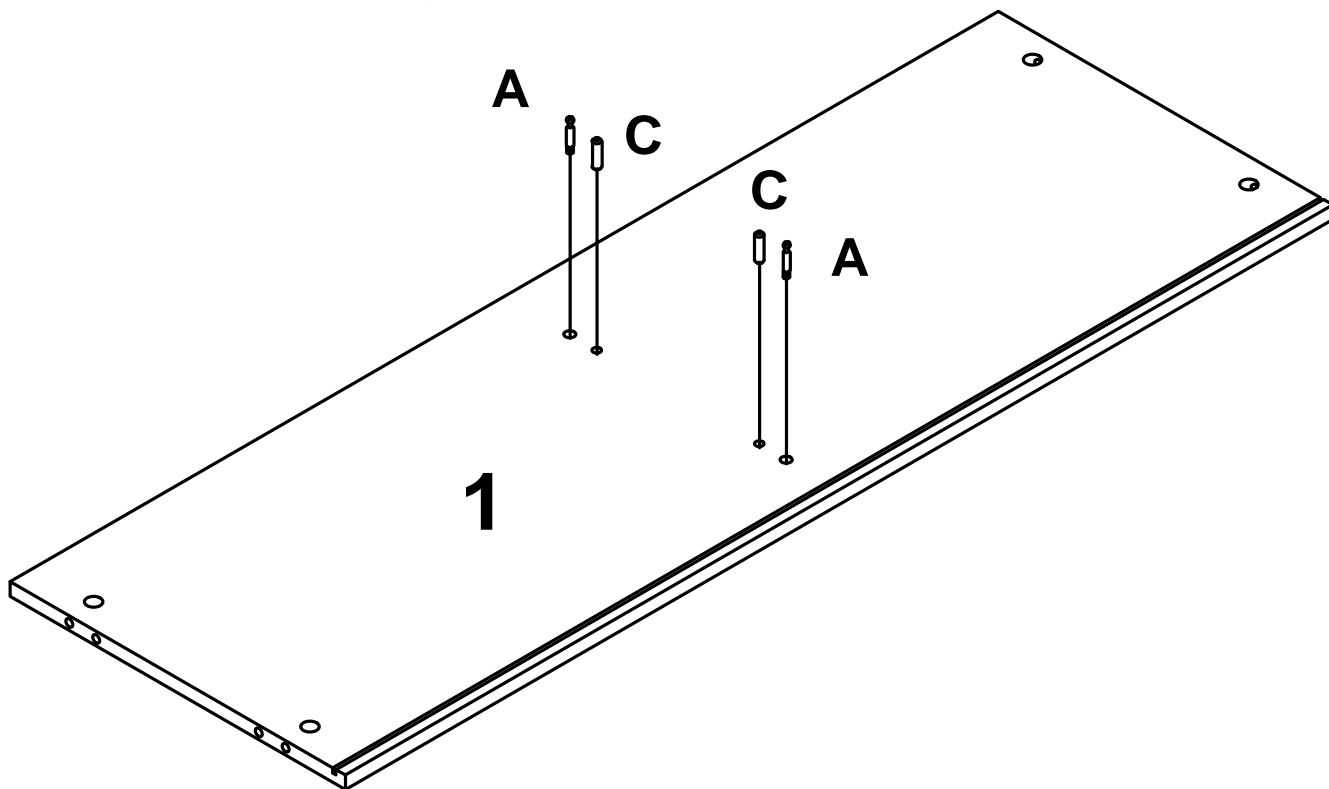
3



B\*2

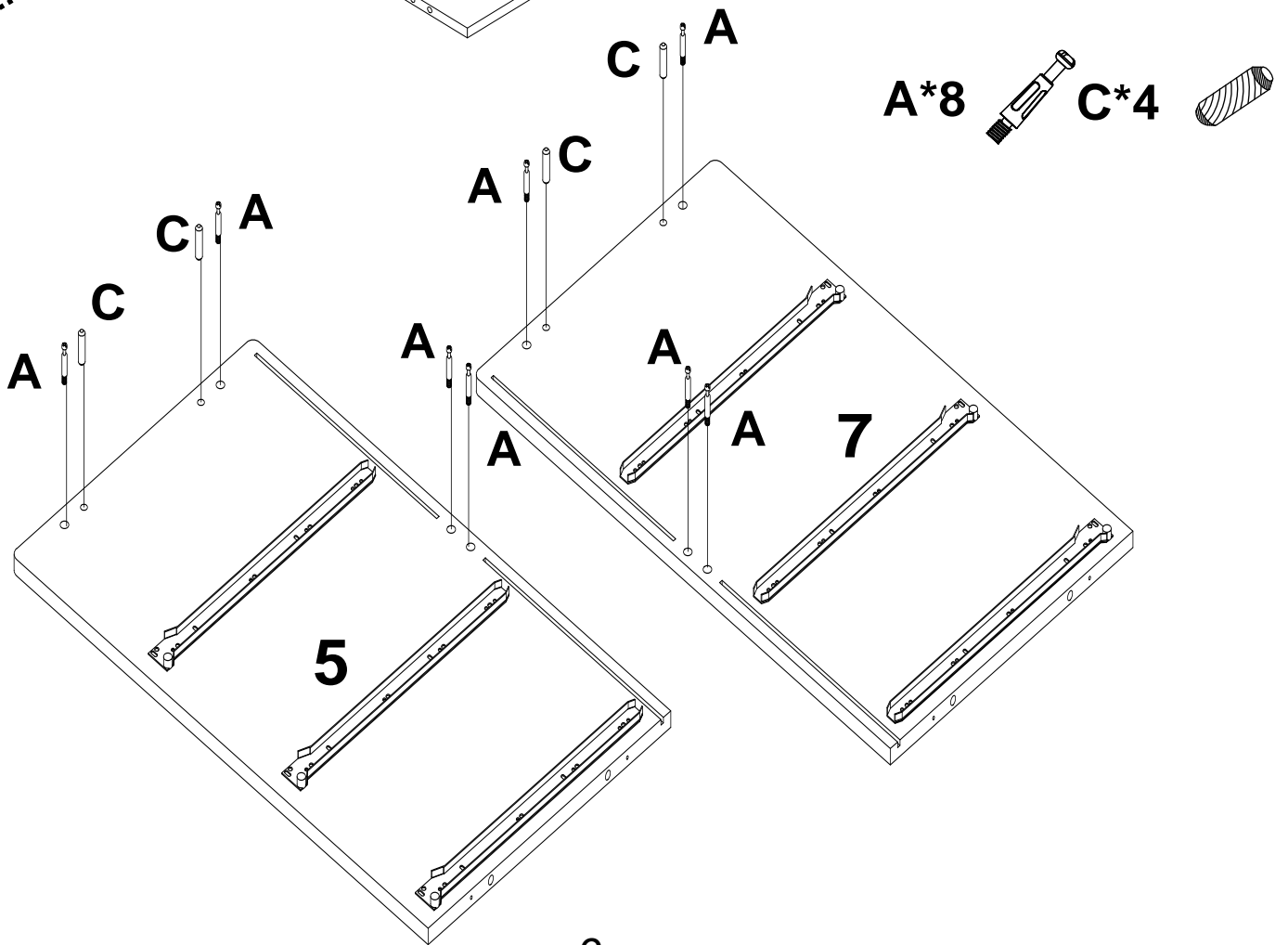
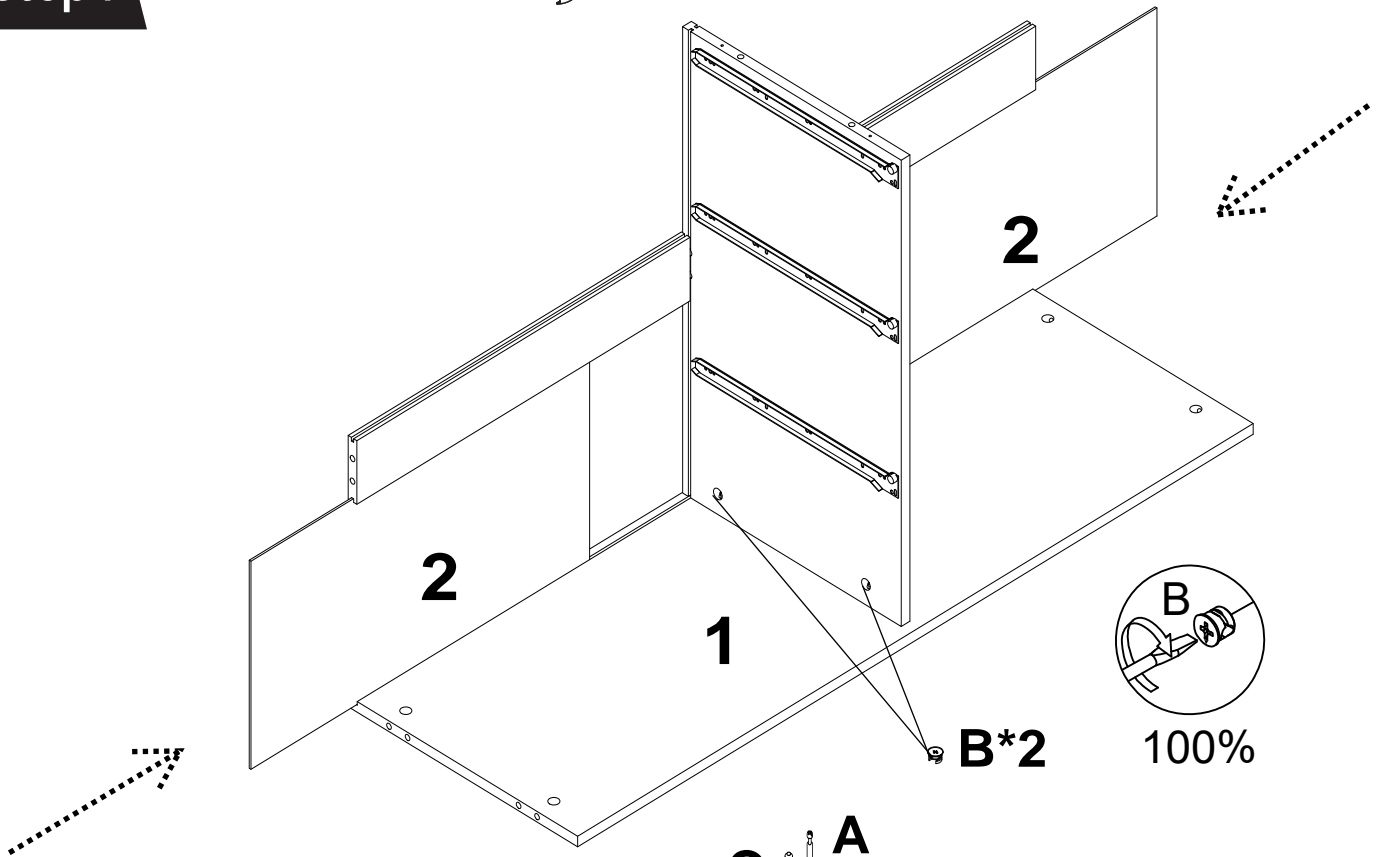
# Step3

A\*2  C\*2 



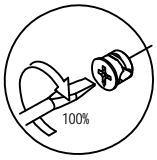
**Step4**

**B\*2**

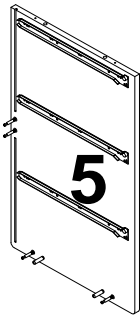


# Step 5

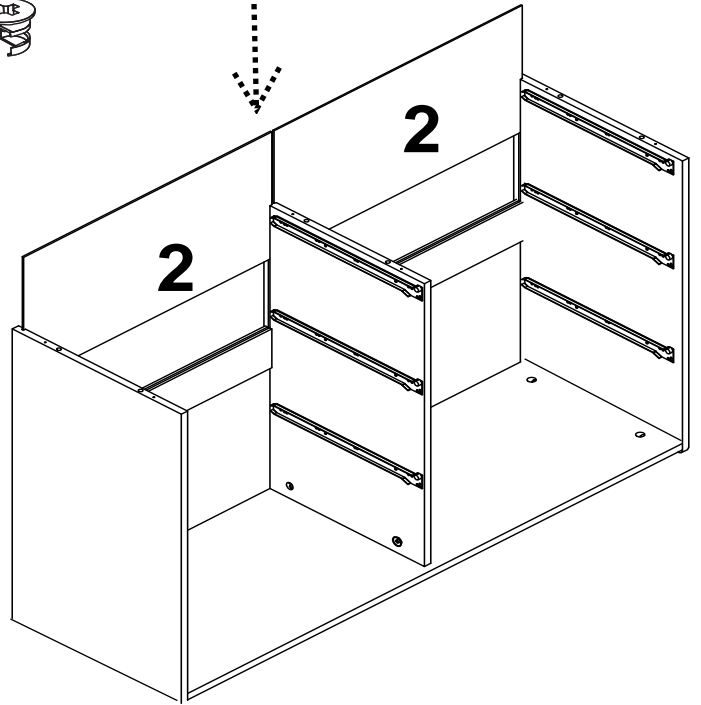
B\*8



\*4

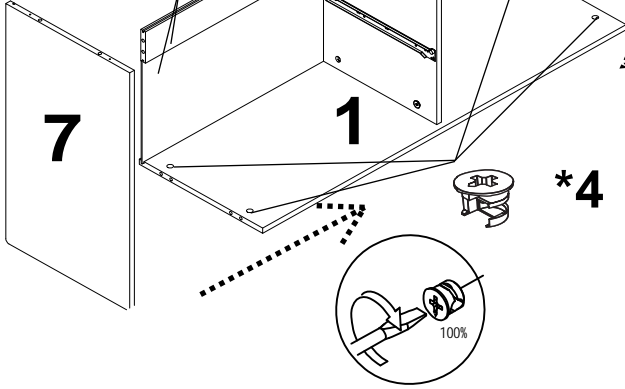


5



2

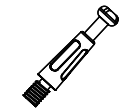
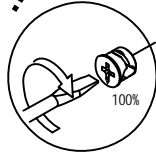
2



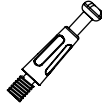
7

1

\*4



A\*16



H\*8



D\*8



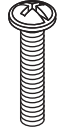
L\*24



E\*16

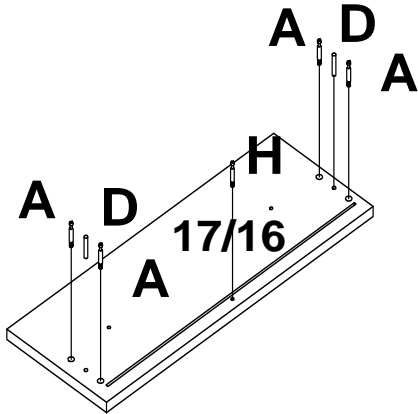


F\*8



I\*8

L\*2



A D

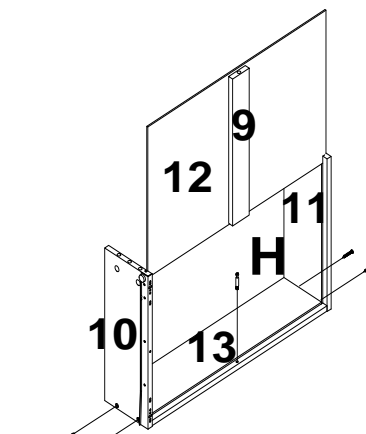
A

A D

17/16

A

H



E\*2

12

9

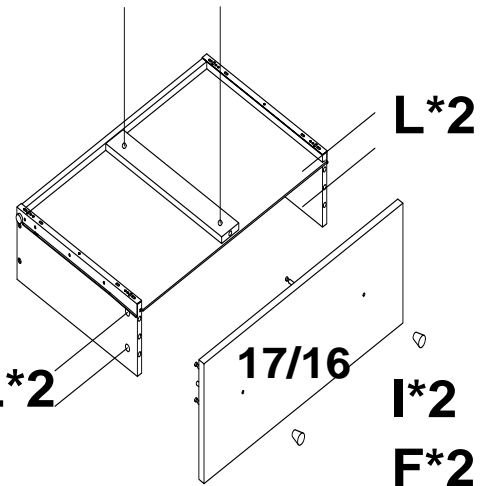
11

H

10

13

E\*2



L\*2

L\*2

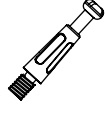
17/16

I\*2

F\*2



A\*8



H\*4



D\*4



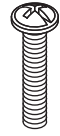
L\*12



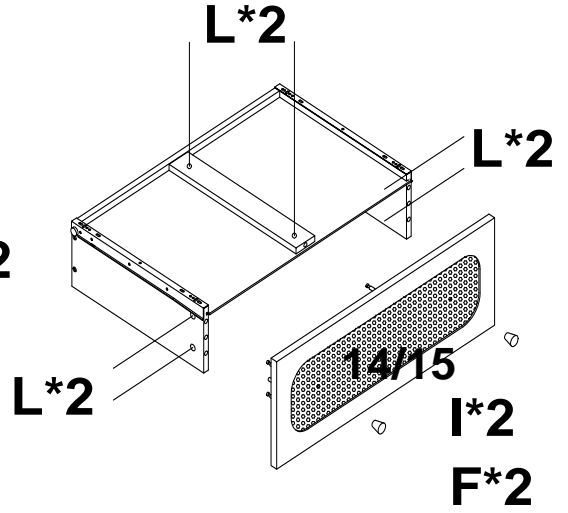
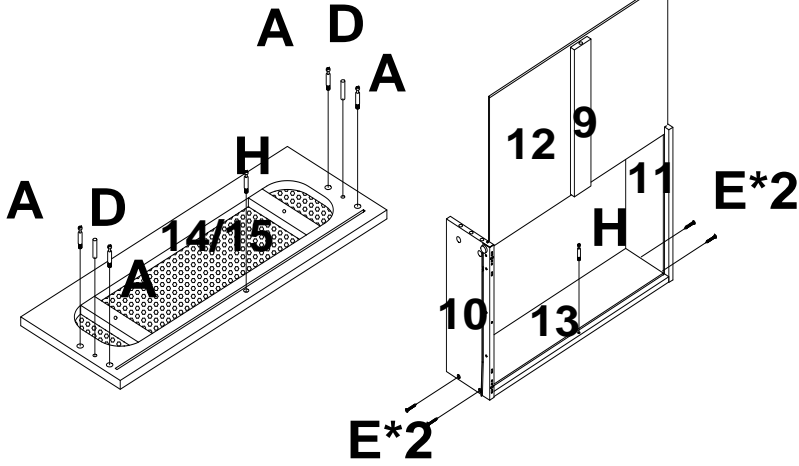
E\*8



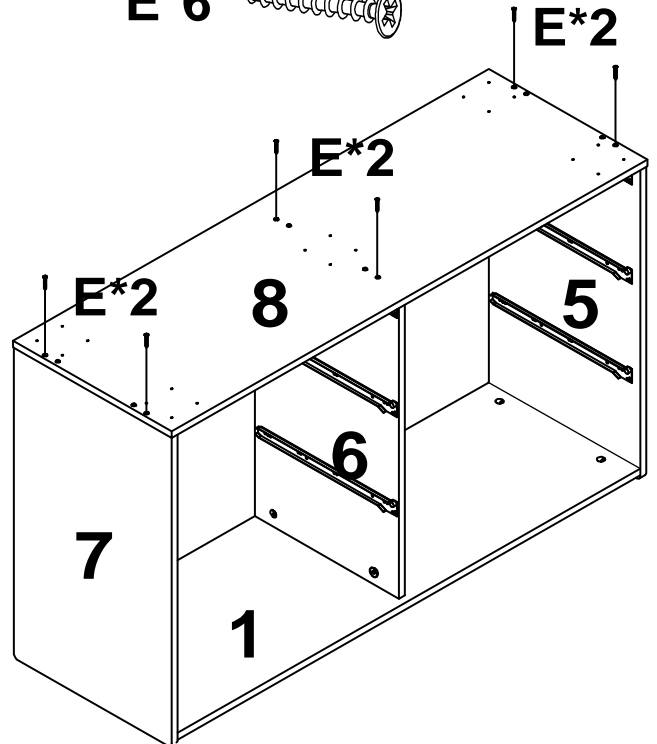
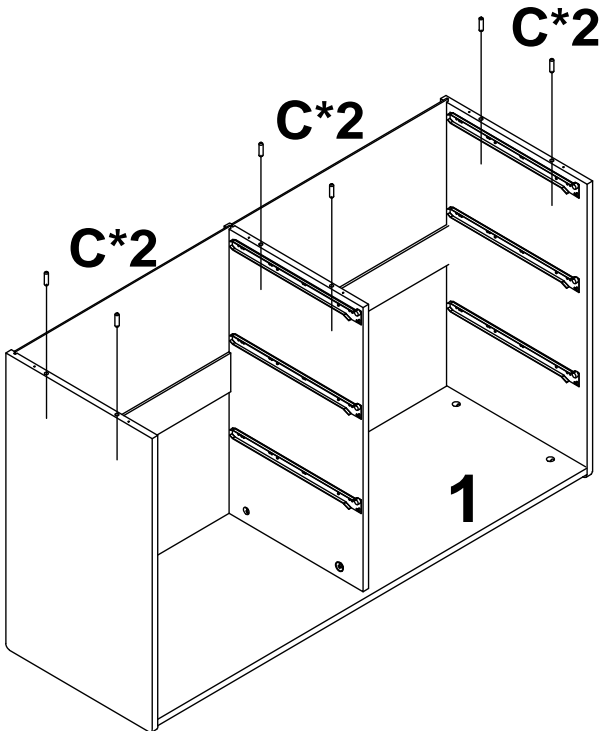
F\*4



I\*4

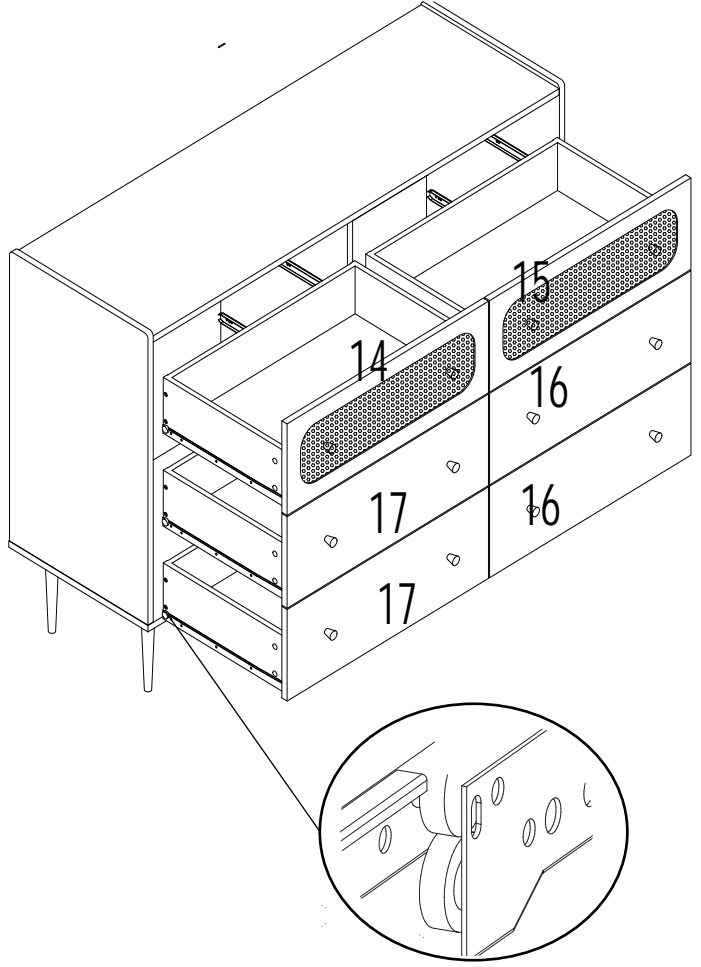
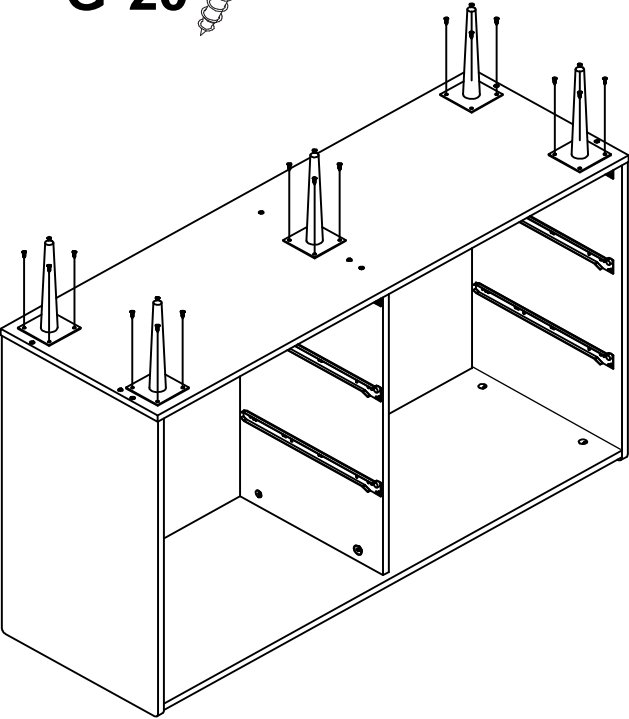


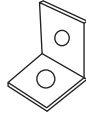
### Step 6



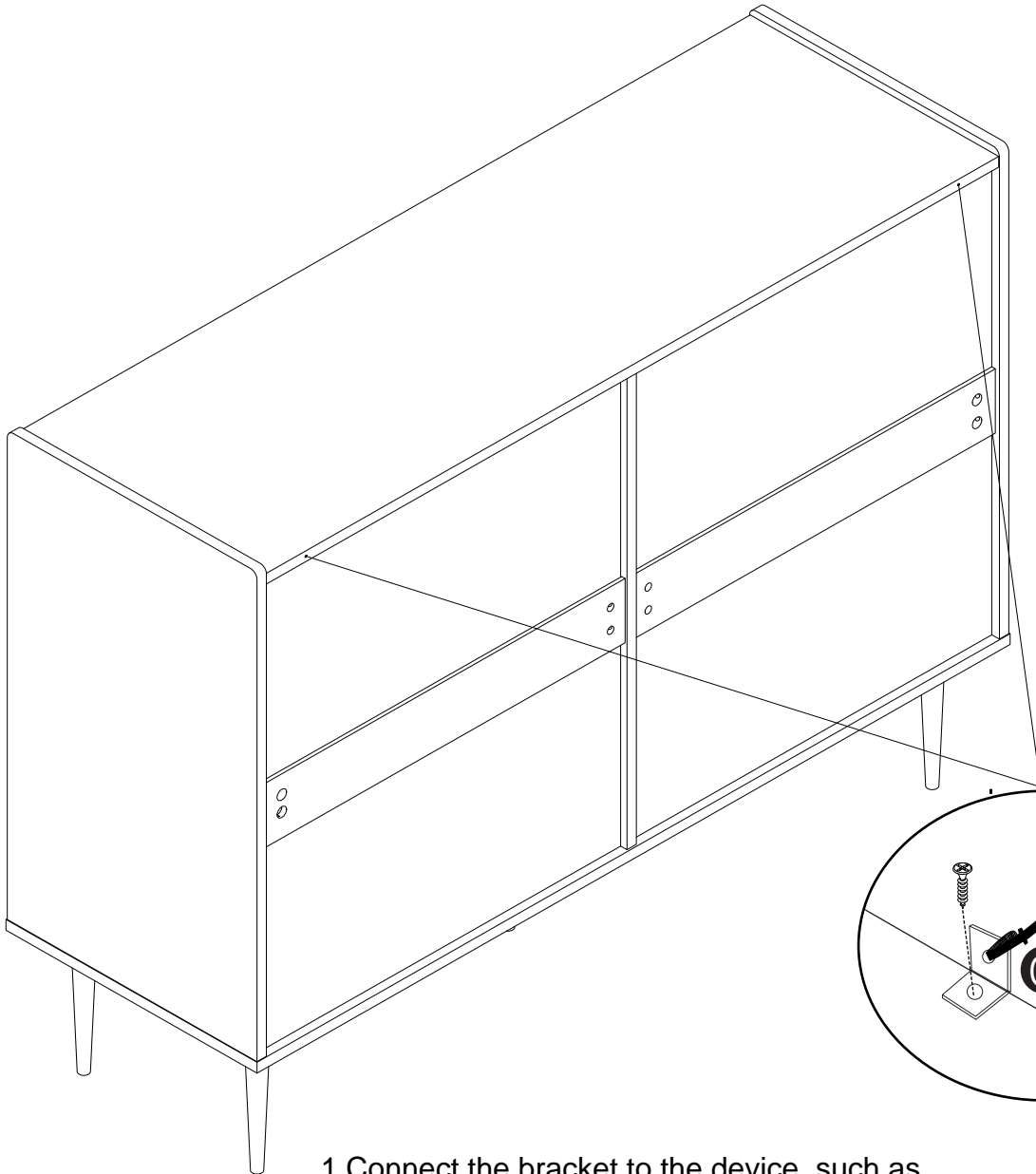
# Step 7

G\*20 





\*2



1. Connect the bracket to the device, such as with a short screw.
2. Drill hole slightly smaller than plastic Anchor in drywall and knock carefully on plastic Anchor in the hole.
3. Insert the eyelet screw into the Plastic anchors and attach the unit with cable ties.

