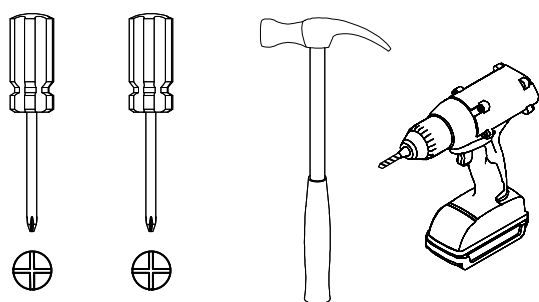
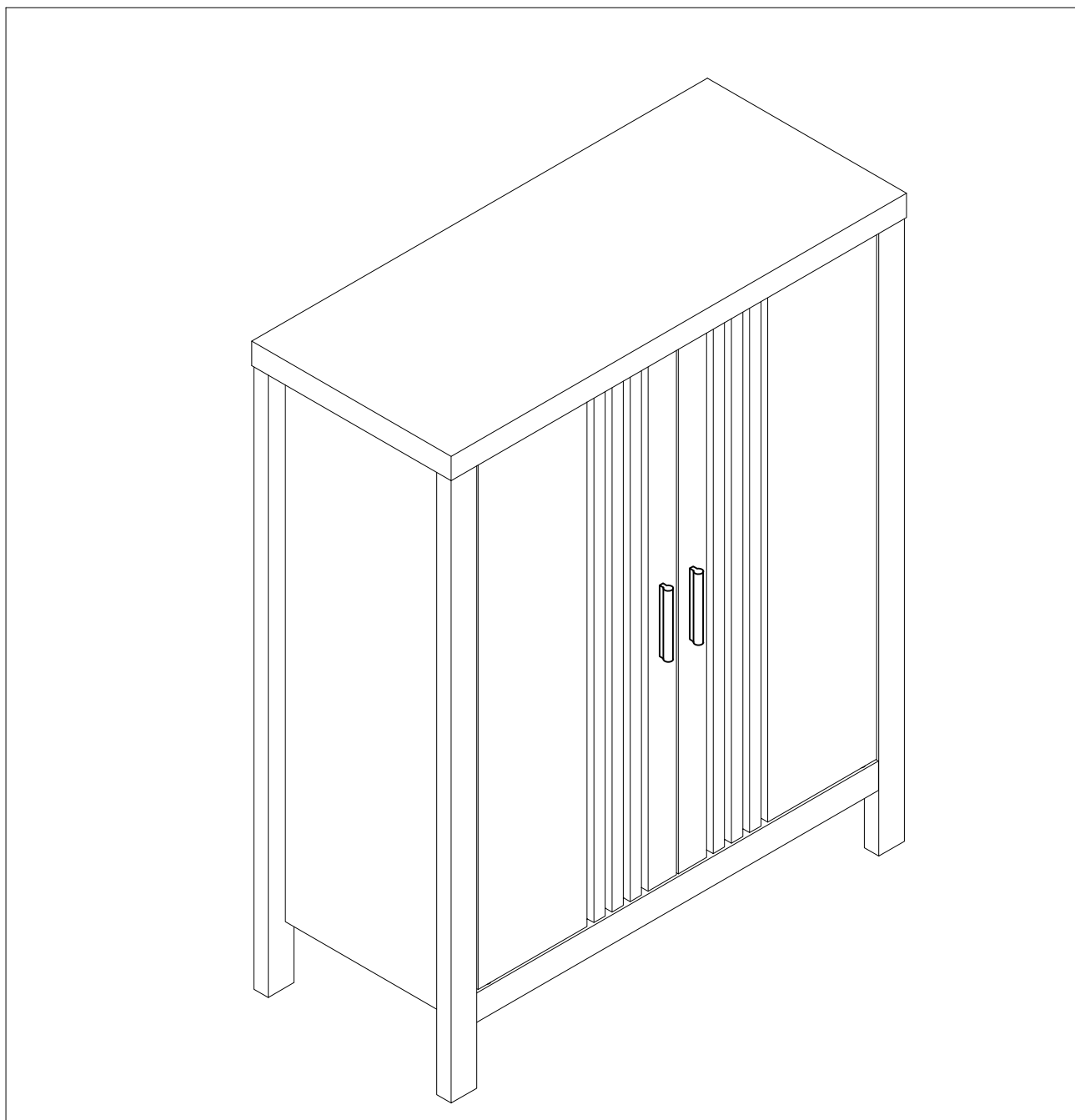
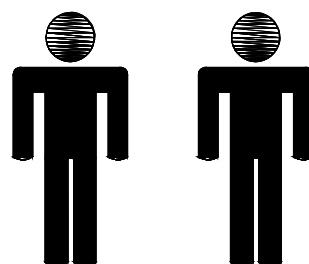


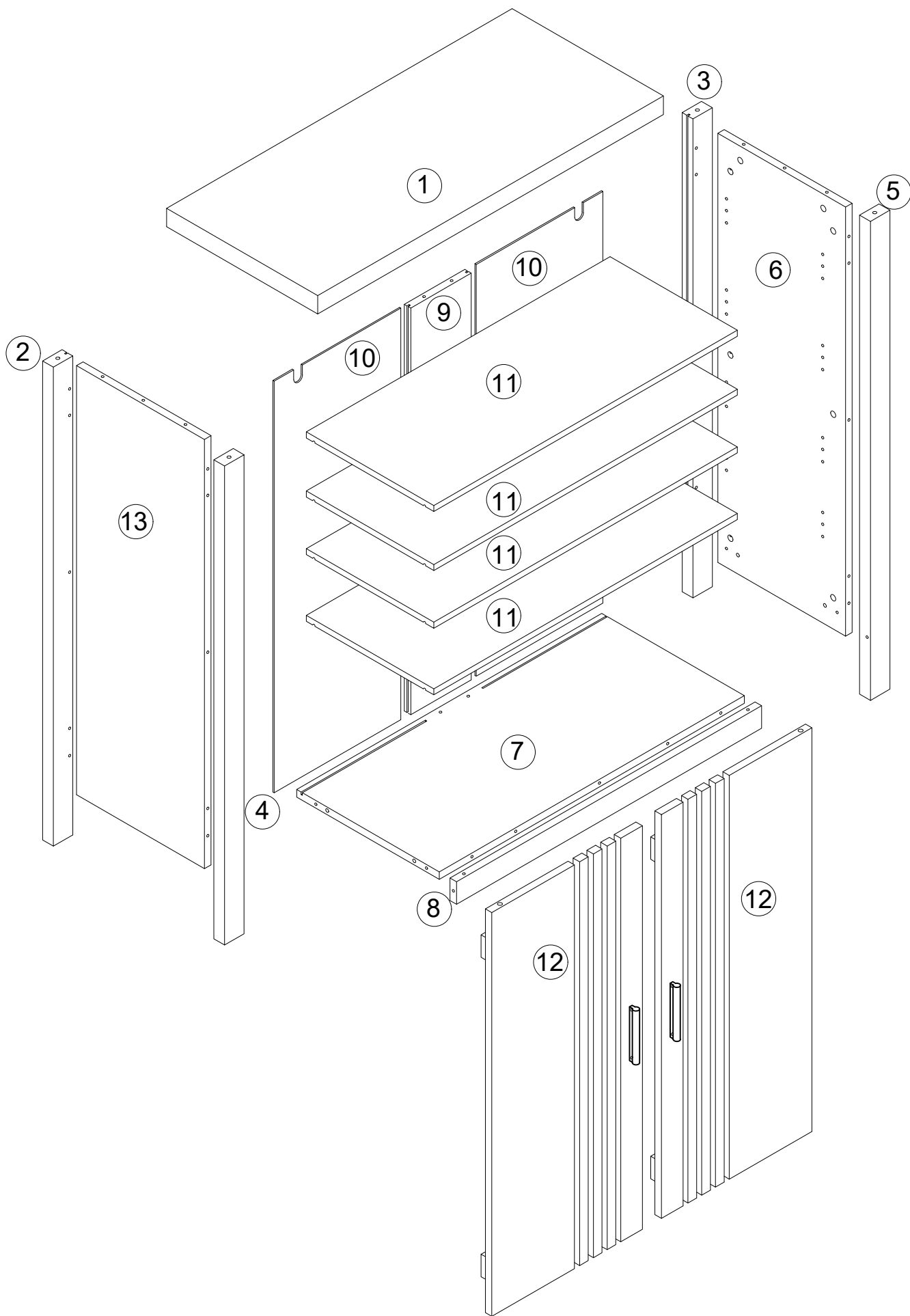
Installation & Assembly

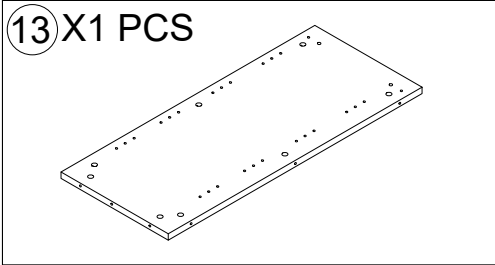
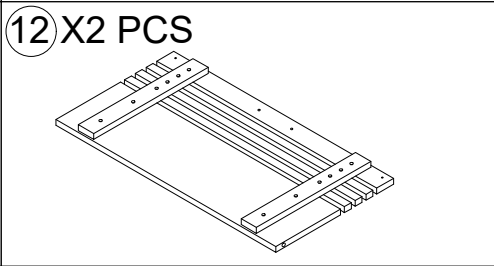
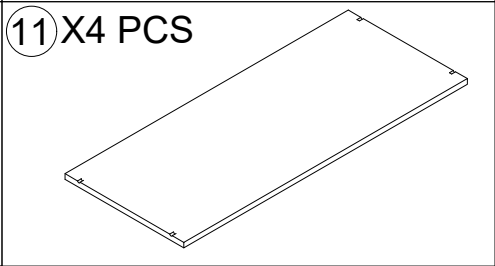
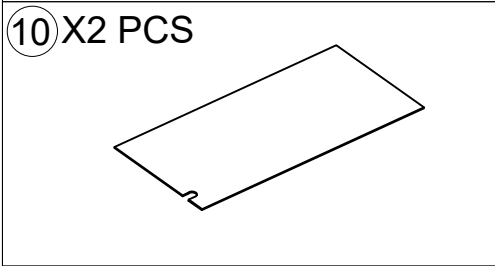
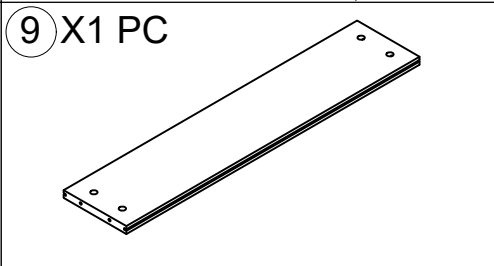
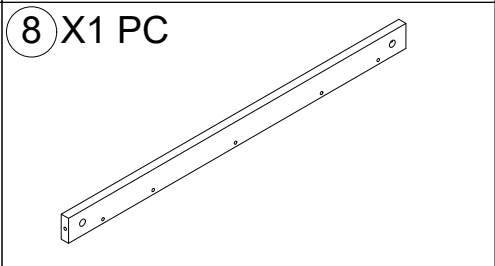
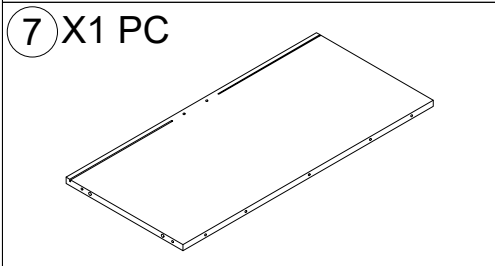
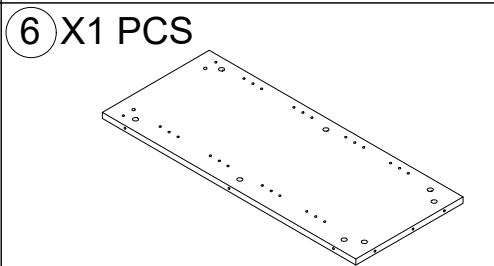
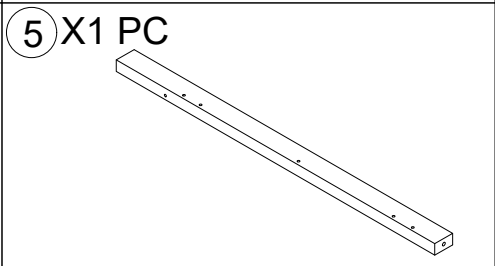
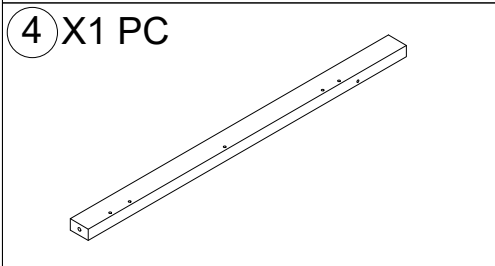
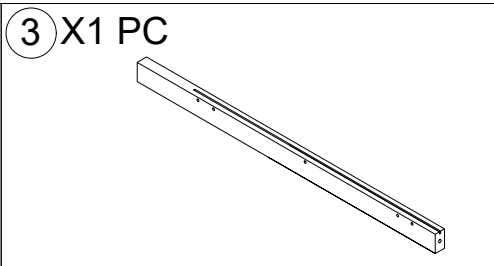
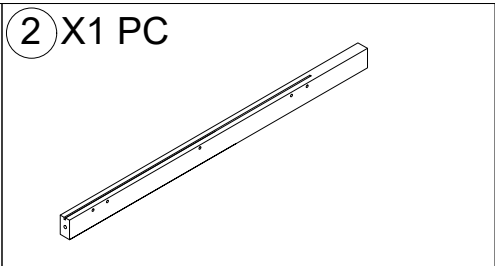
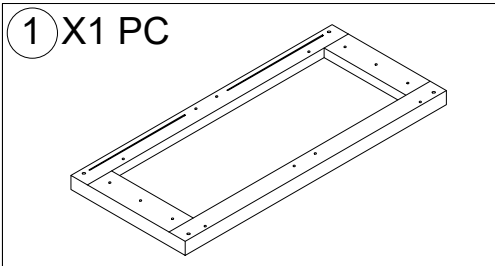


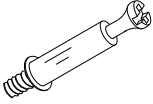

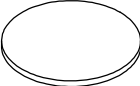
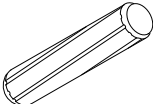
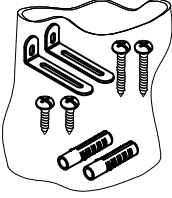

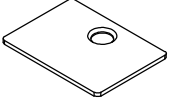
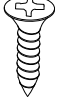
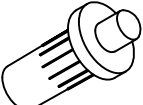

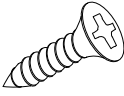
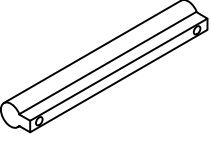
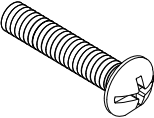
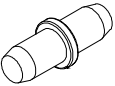
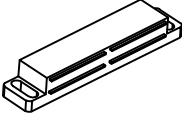
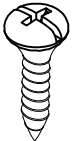
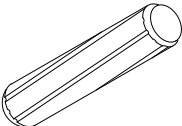
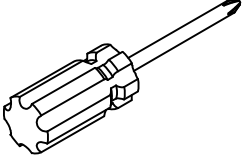
**Tools required
(not included)**



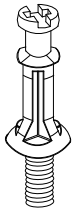
2 people for assembly



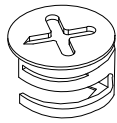


<p>A</p>  <p>Ø6*35mm 28+3 PCS</p>	<p>B</p>  <p>Ø15*9mm 28+3 PCS</p>	<p>C</p>  <p>Ø20mm 40+5 PCS</p>	<p>D</p>  <p>Ø6*30mm 17+2 PC</p>
<p>E</p>  <p>1 SET</p>	<p>F</p>  <p>Ø12*5mm 4+1 PC</p>	<p>G</p>  <p>30*22*1mm 2 PCS</p>	<p>H</p>  <p>Ø3.0*12mm 2+1 PC</p>
<p>I</p>  <p>25*Ø12mm 4+1 PC</p>	<p>J</p>  <p>14*14mm 16+2 PCS</p>	<p>K</p>  <p>Ø3.0*16mm 16+2 PCS</p>	<p>L</p>  <p>108*12*18mm 2 PCS</p>
<p>M</p>  <p>M4*18mm 4+1 PC</p>	<p>N</p>  <p>Ø5m*Ø7*17m 16+2 PCS</p>	<p>O</p>  <p>72*17*12mm 1 PCS</p>	<p>P</p>  <p>Ø3.0*15mm 2+1 PC</p>
<p>Q</p>  <p>Ø10*40mm 4+1 PC</p>	<p>R</p>  <p>1 PC</p>		

Instructions For Fastening CAM-BOLT and CAM-LOCK

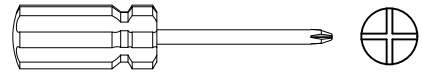


CAM-BOLT

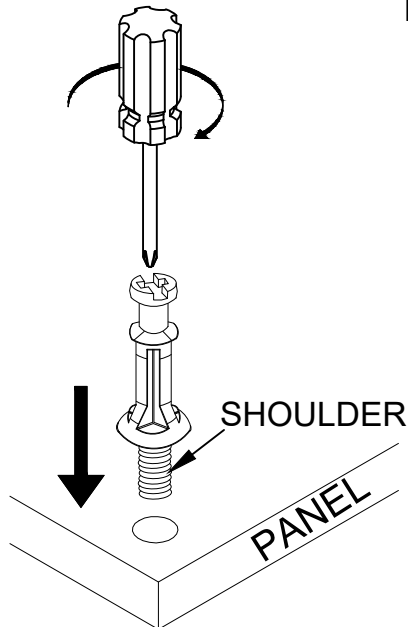


CAM-LOCK

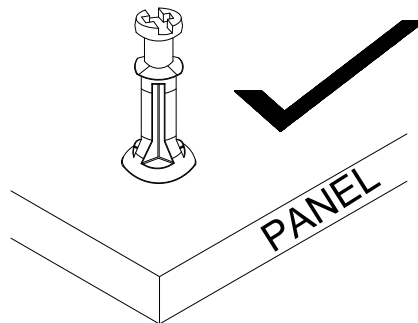
Tools Required



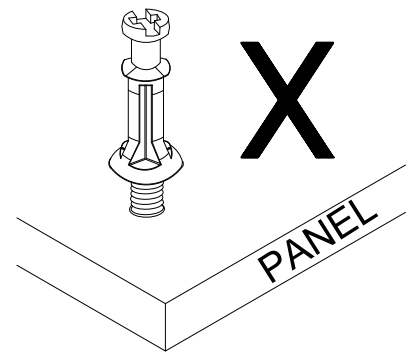
INSERTING AND TIGHTENING CAM-BOLT



Place Cam-bolt on pre-drilled hole and screw in vertically



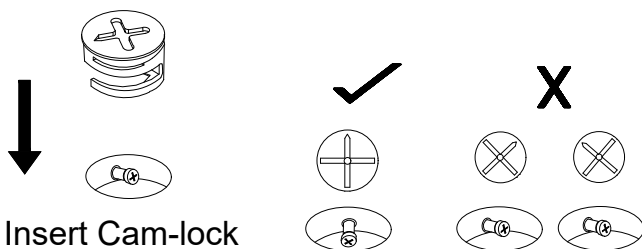
Shoulder is flushed (on the same level) with the panel.



Shoulder is above the panel.

Place Cam-bolt on the designated pre-drilled holes on the panel. Use a Phillips Screwdriver to screw-in Cam-bolt vertically until shoulder is flushed (on the same level) with panel.

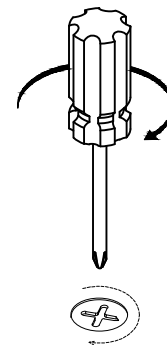
INSERTING CAM-LOCK



Insert Cam-lock with arrow align to Cam-bolt head **CORRECT** **WRONG**

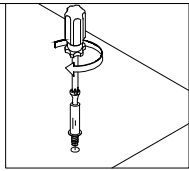
Align the arrow on the Cam-lock to the Cam-bolt head and insert the Cam-lock. Ensure Cam-lock is fully inserted.

TIGHTENING CAM-LOCK

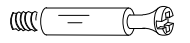


Use a Flat-head Screwdriver to turn Camlock clockwise so it locks onto the head of the Cam-bolt. Turn until it is snug (about 3/4ths of a turn) -- over-tightening could damage Cam-lock or/and Cam-bolt.

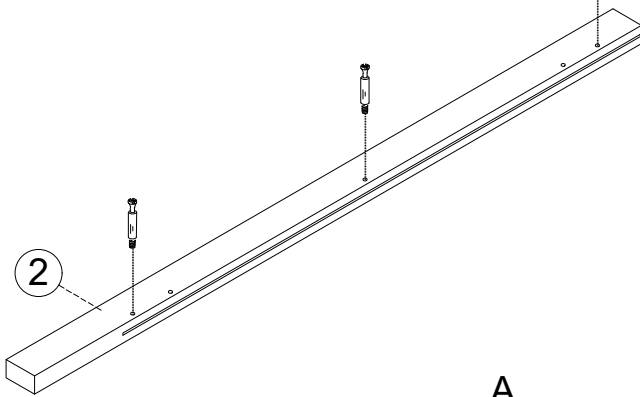
1



A x12

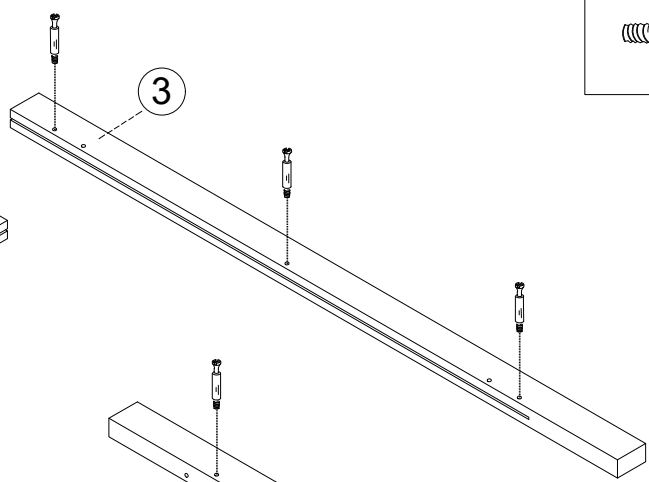


2



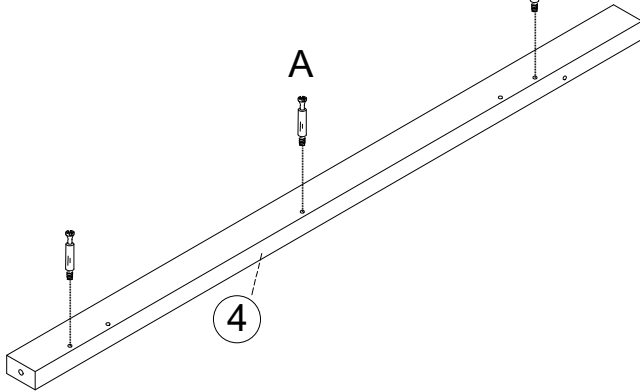
A

3



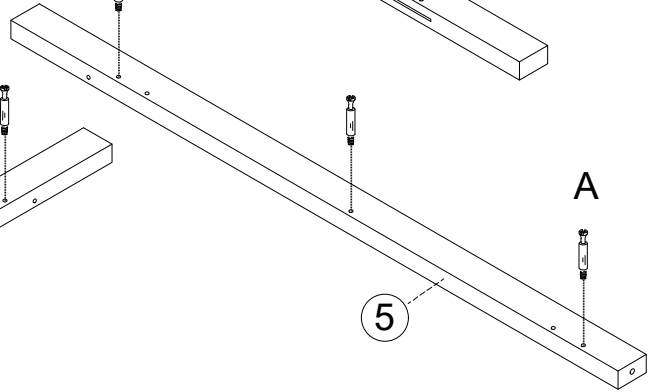
A

4



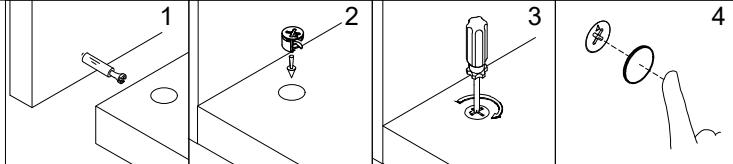
A

5



A

2



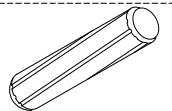
B x6



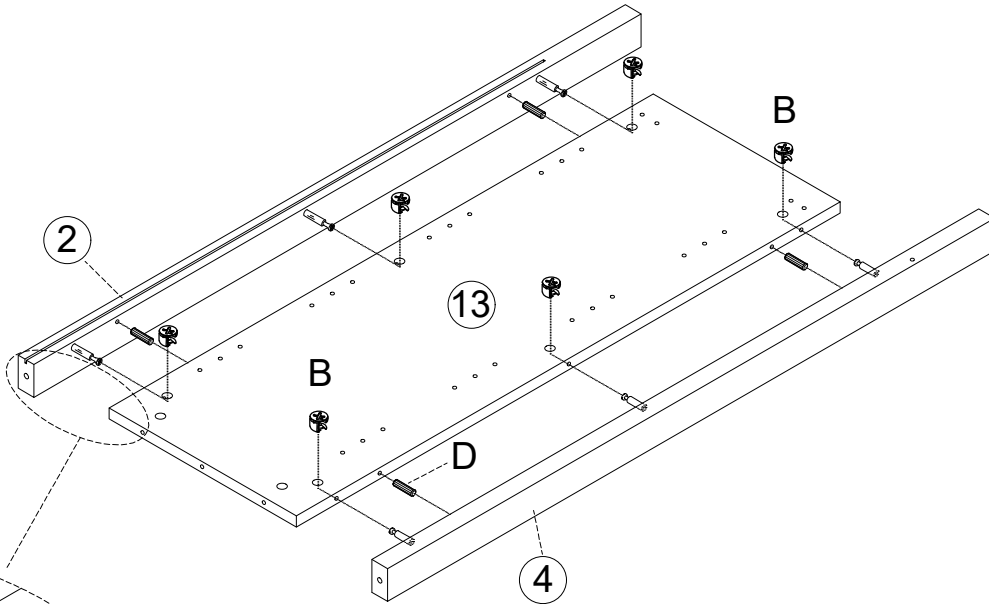
C x6



D x4



2



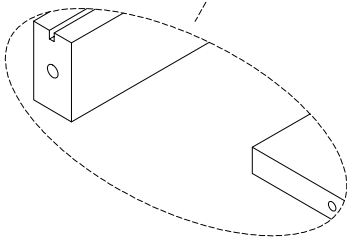
B

13

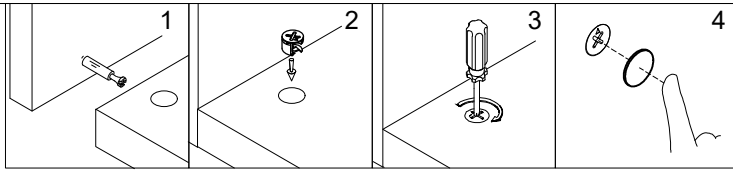
B

D

4



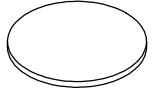
3



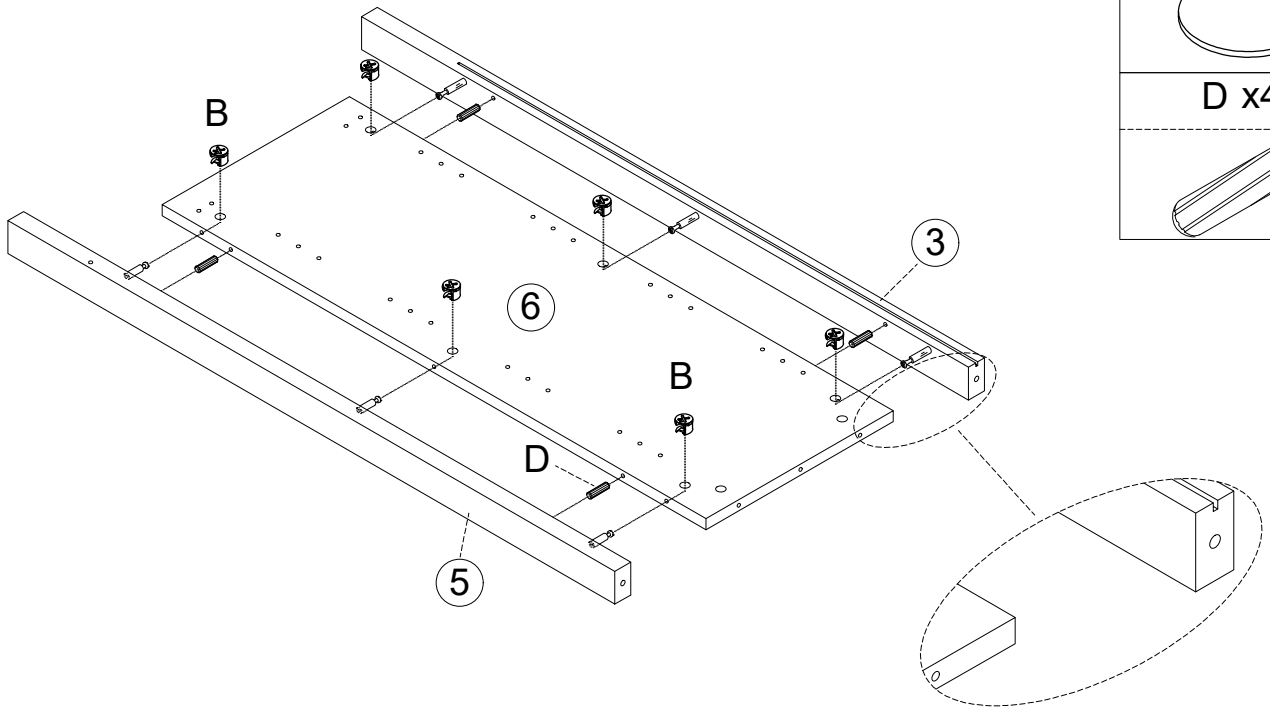
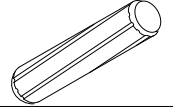
B x6



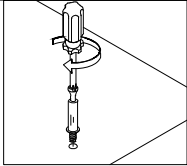
C x6



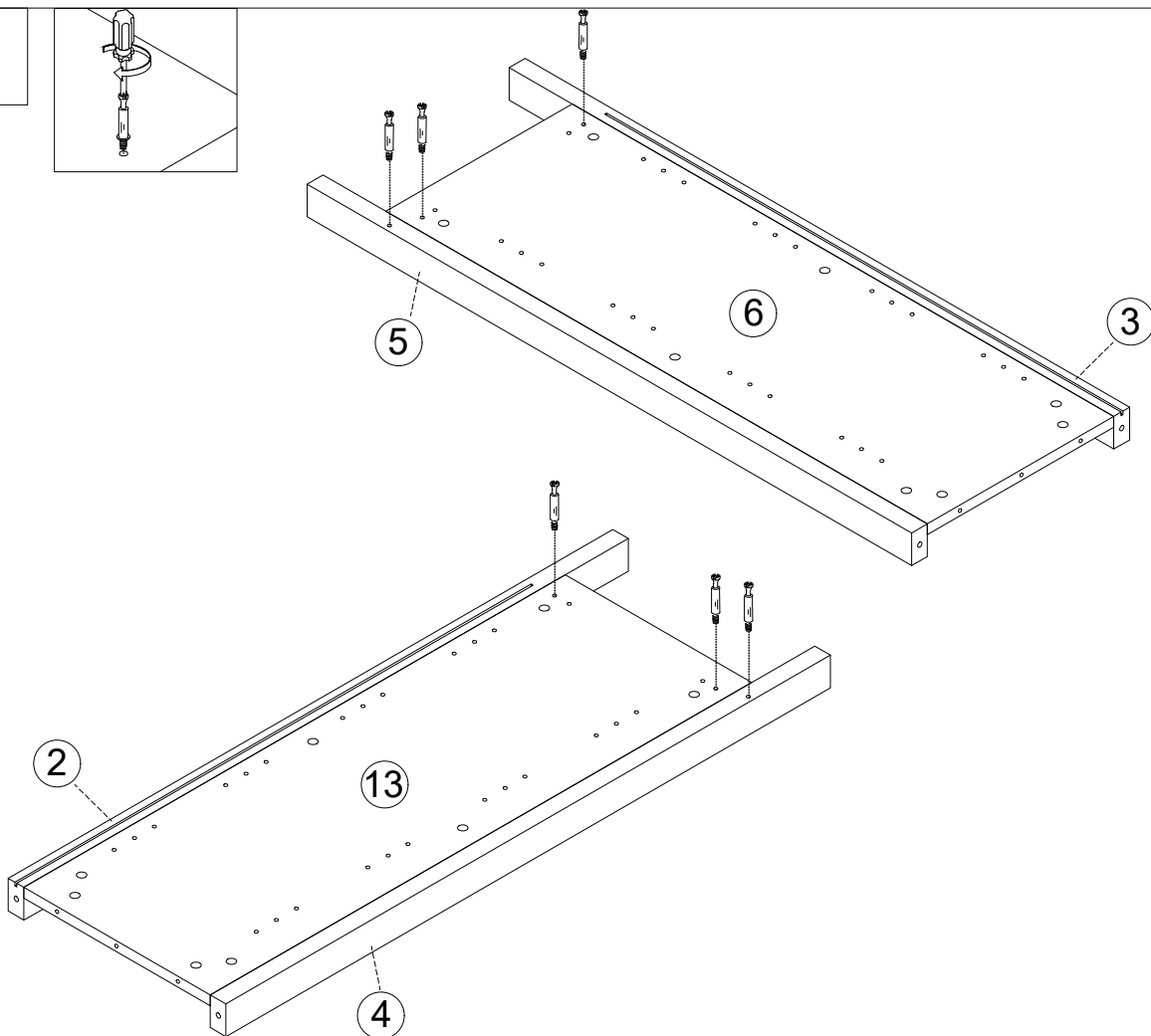
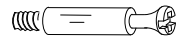
D x4



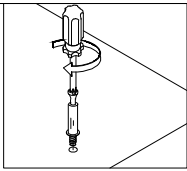
4



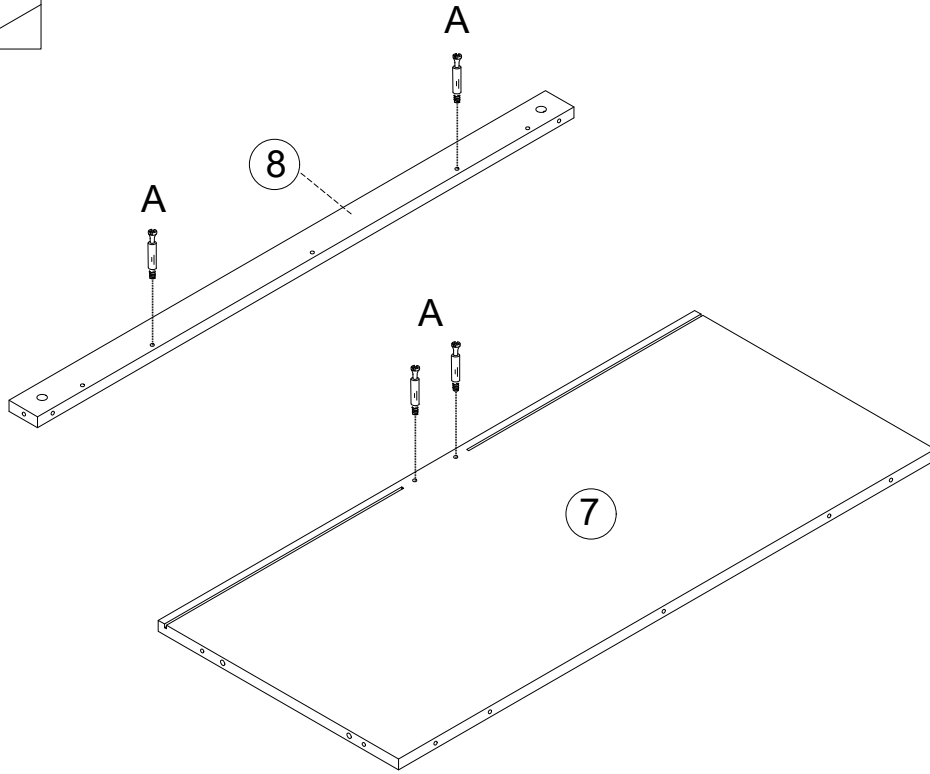
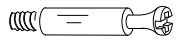
A x6



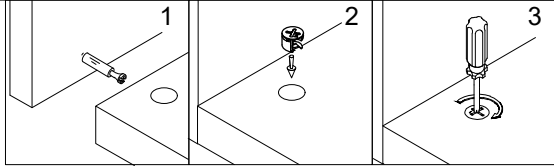
5



A x4



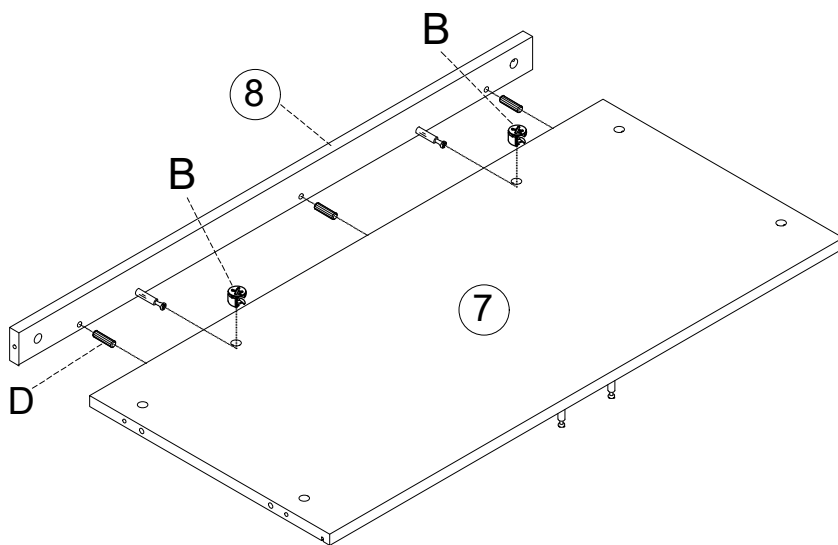
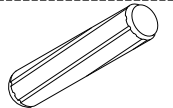
6



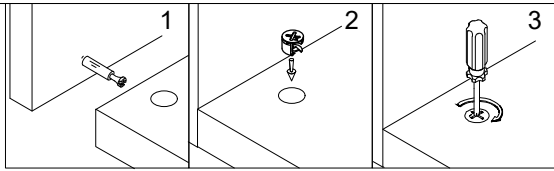
Bx2



D x3



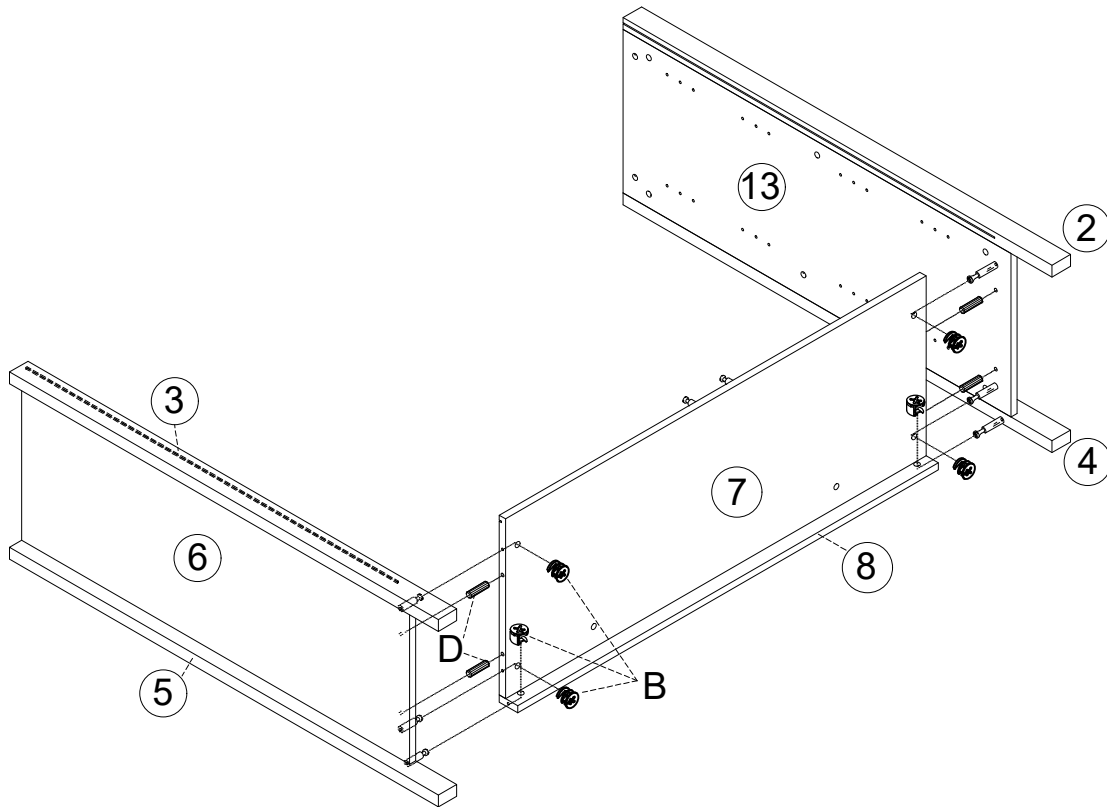
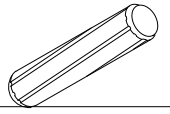
7



B x6

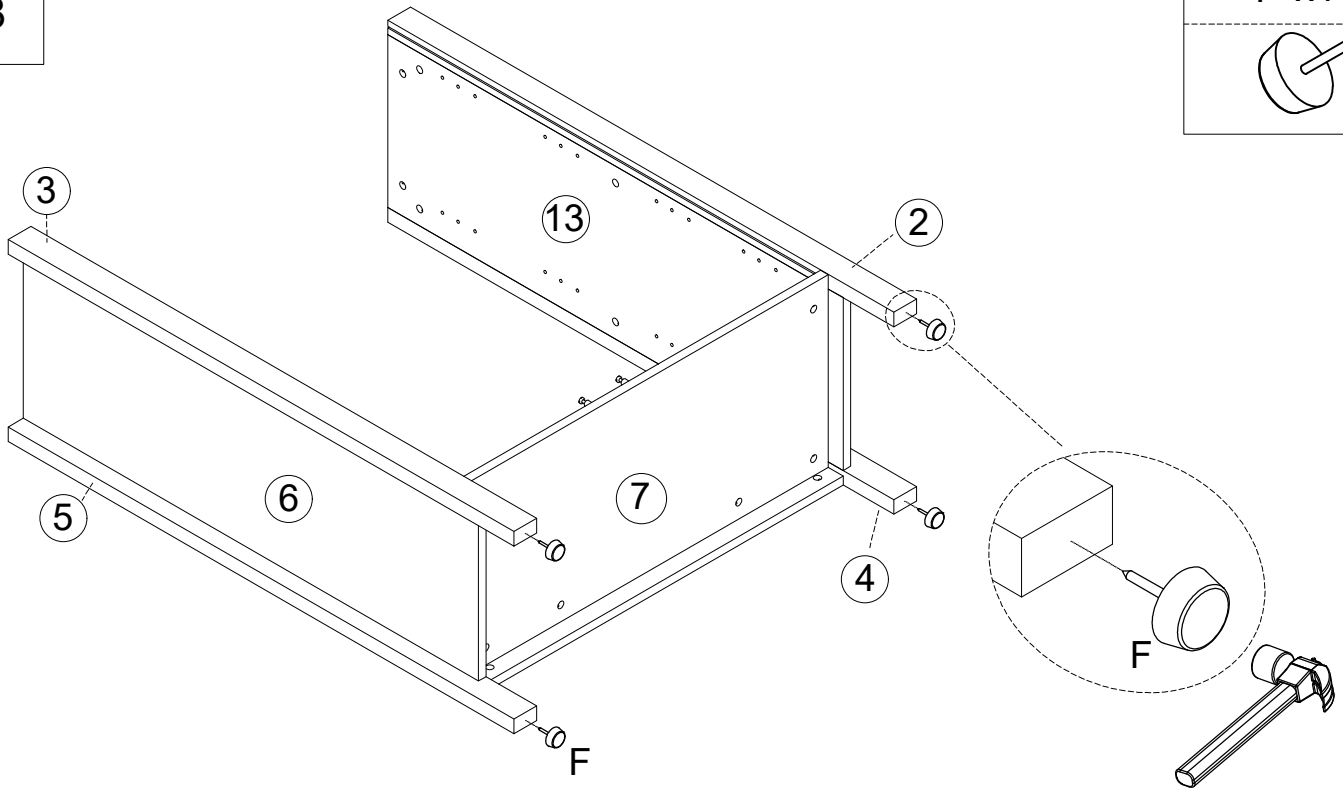


D x4

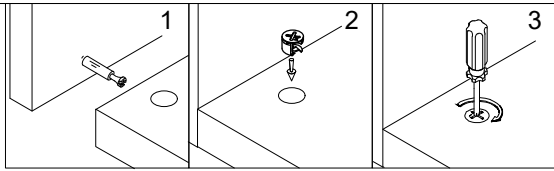


8

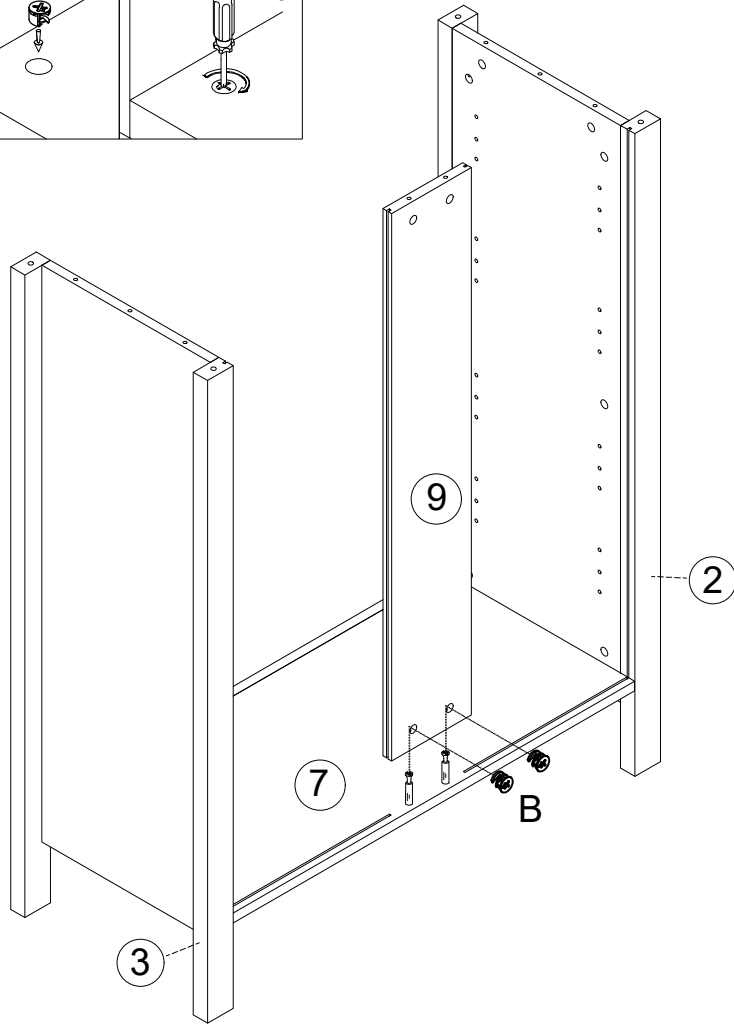
F x4



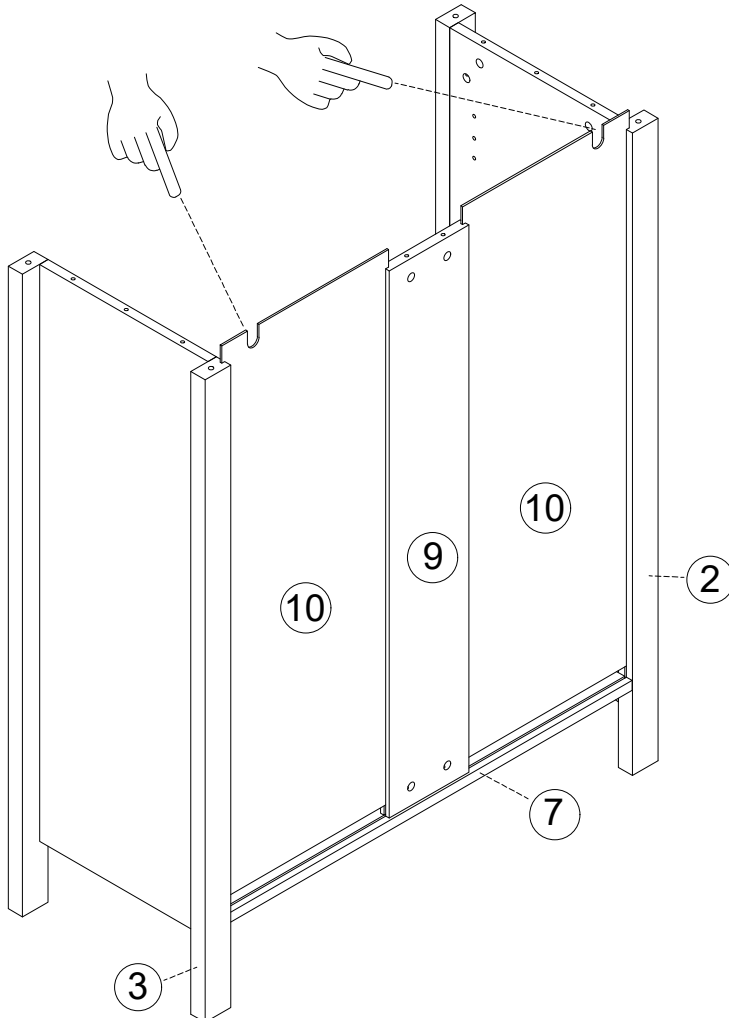
9



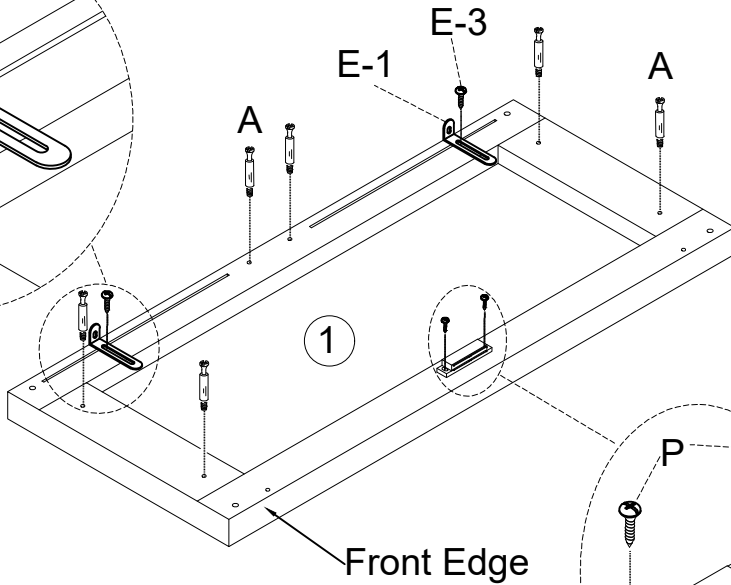
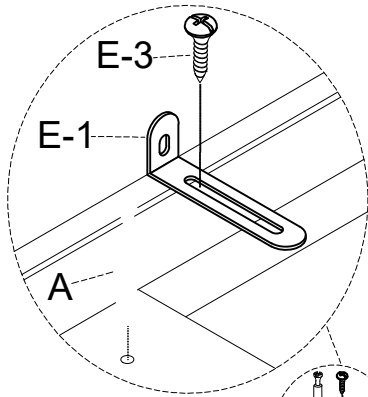
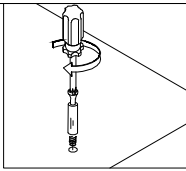
B x2



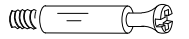
10



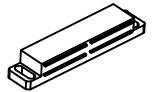
11



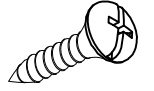
A x6



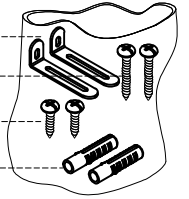
O x1



P x2



E x1



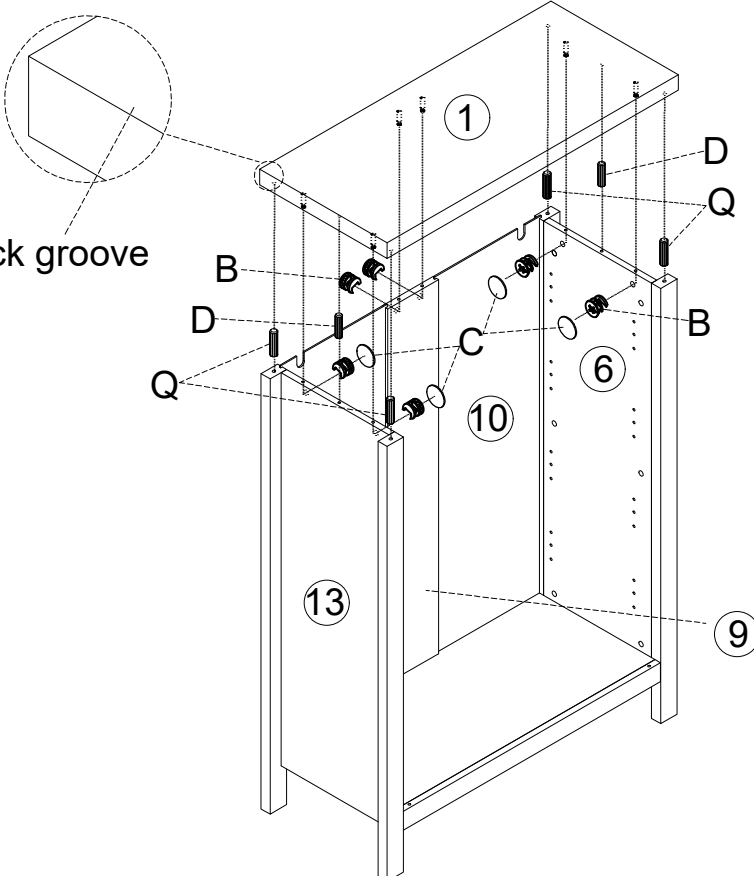
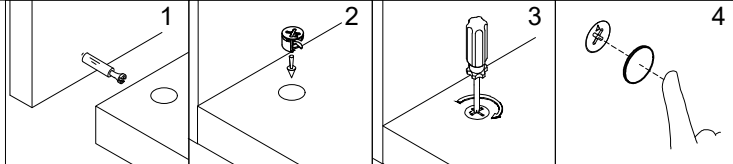
E-1
E-2
E-3
E-4

Front Edge

Magnet in front

Front Edge

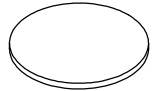
12



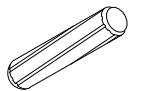
B x6



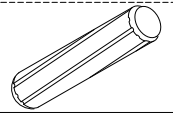
C x4



D x2

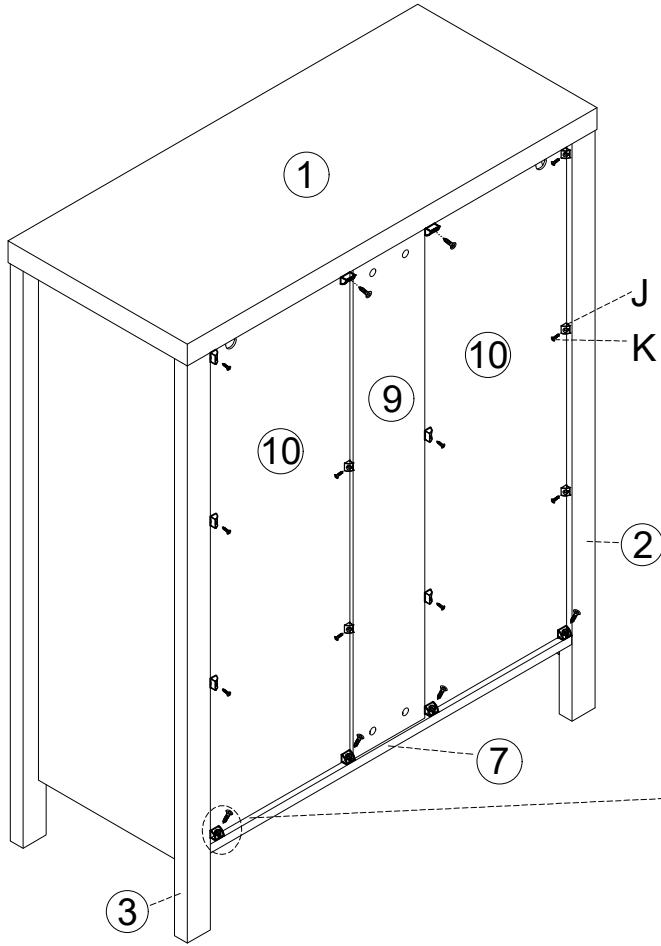


Q x4

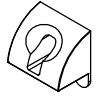


Back groove

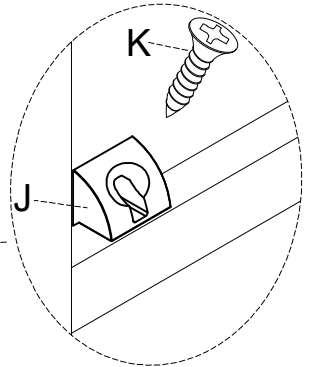
13



J x16

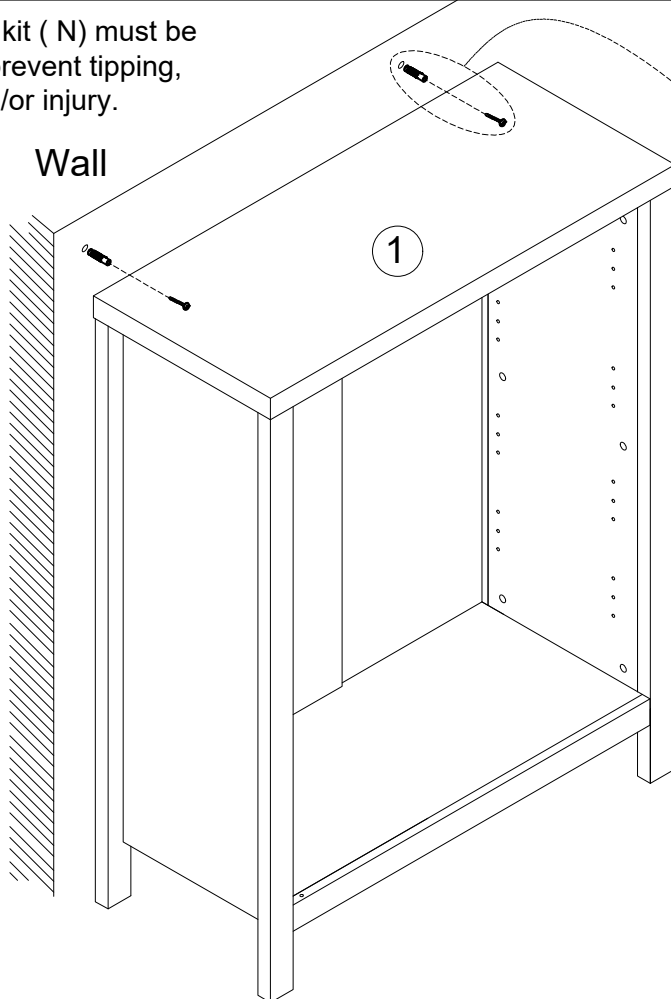


K x16



14

Safety strap kit (N) must be installed to prevent tipping, damage and/or injury.



Wall

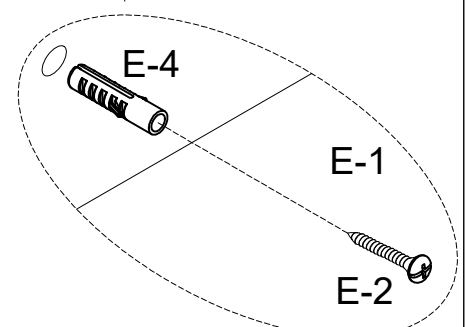
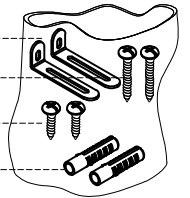
E x1

E-1

E-2

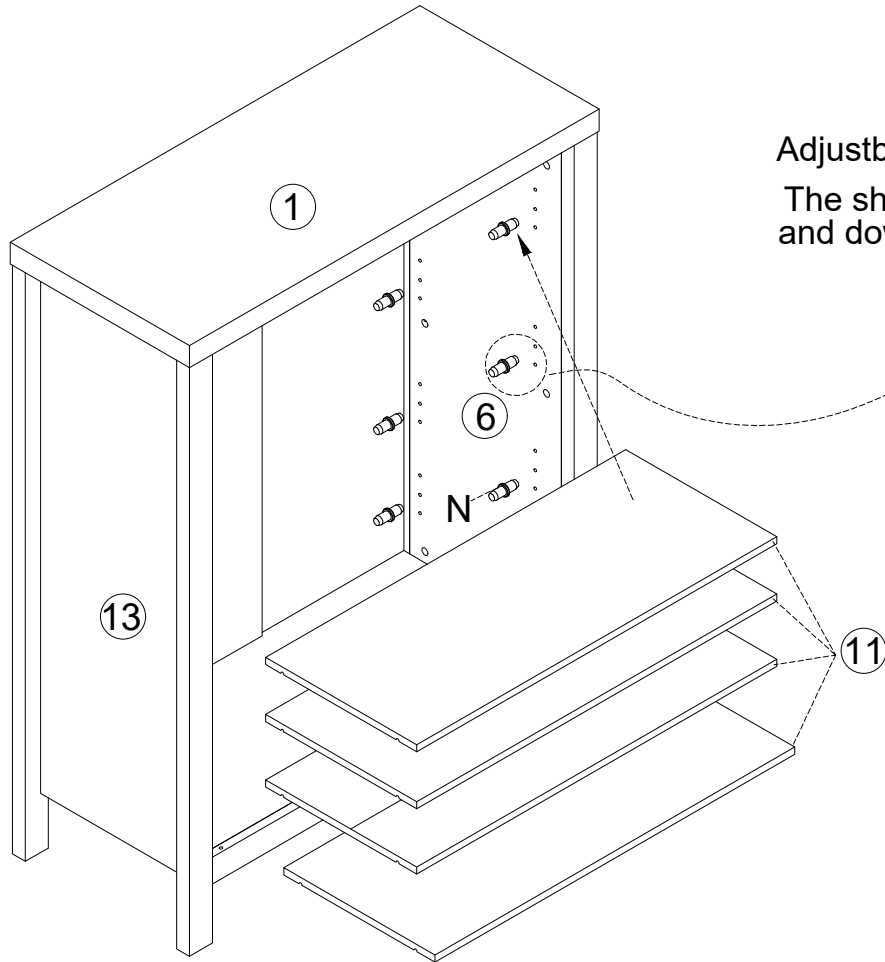
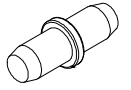
E-3

E-4

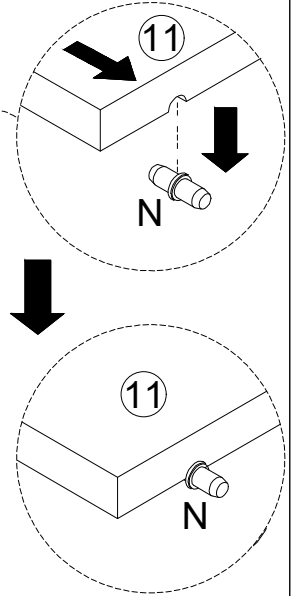


15

N x16

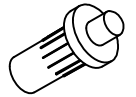


Adjustable for three heights.
The shelf can be adjusted up and down with three heights.

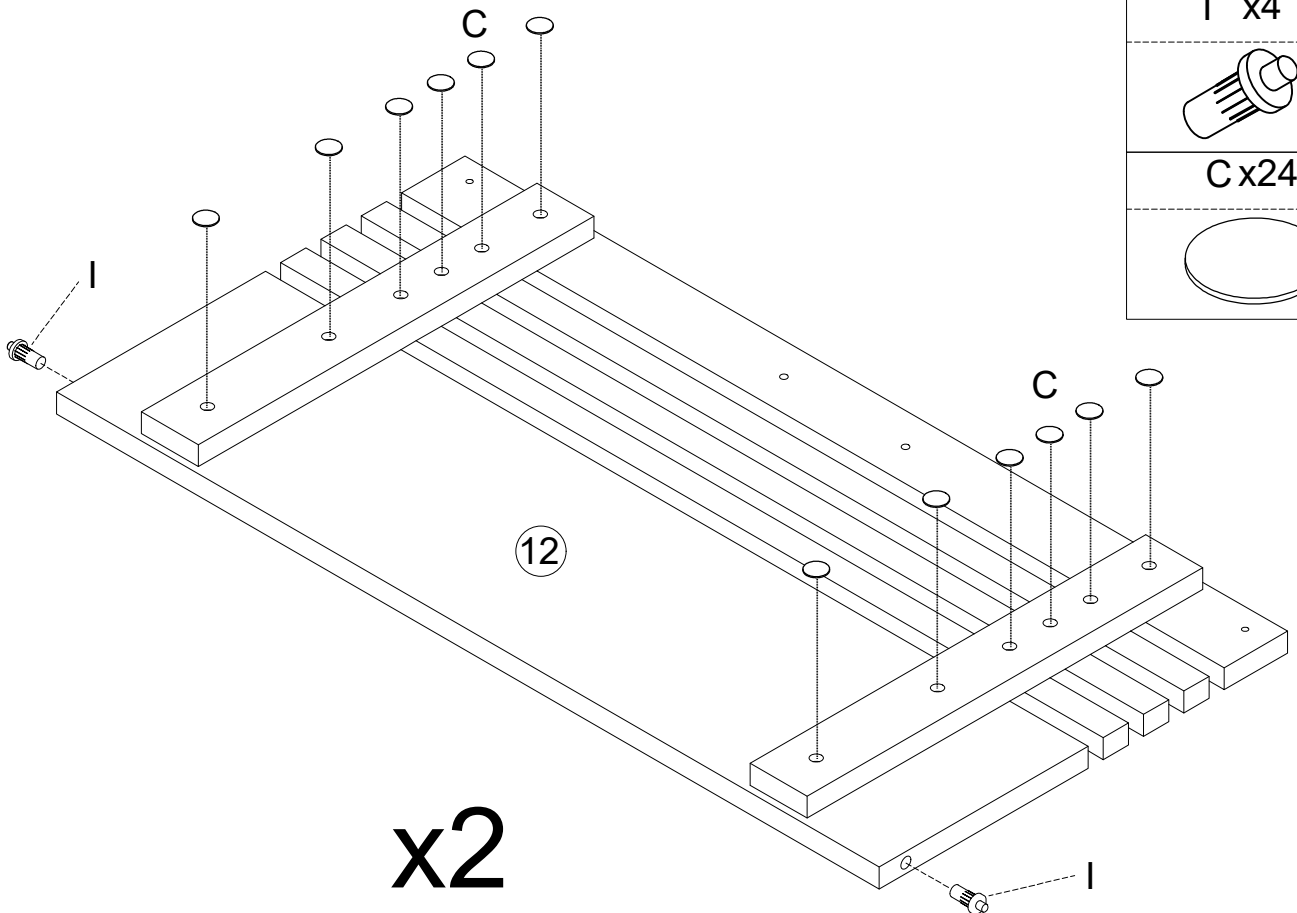
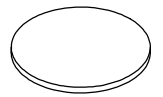


16

I x4



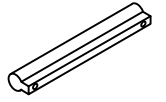
C x24



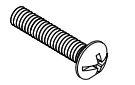
17

PIN PIVOT CAVITY

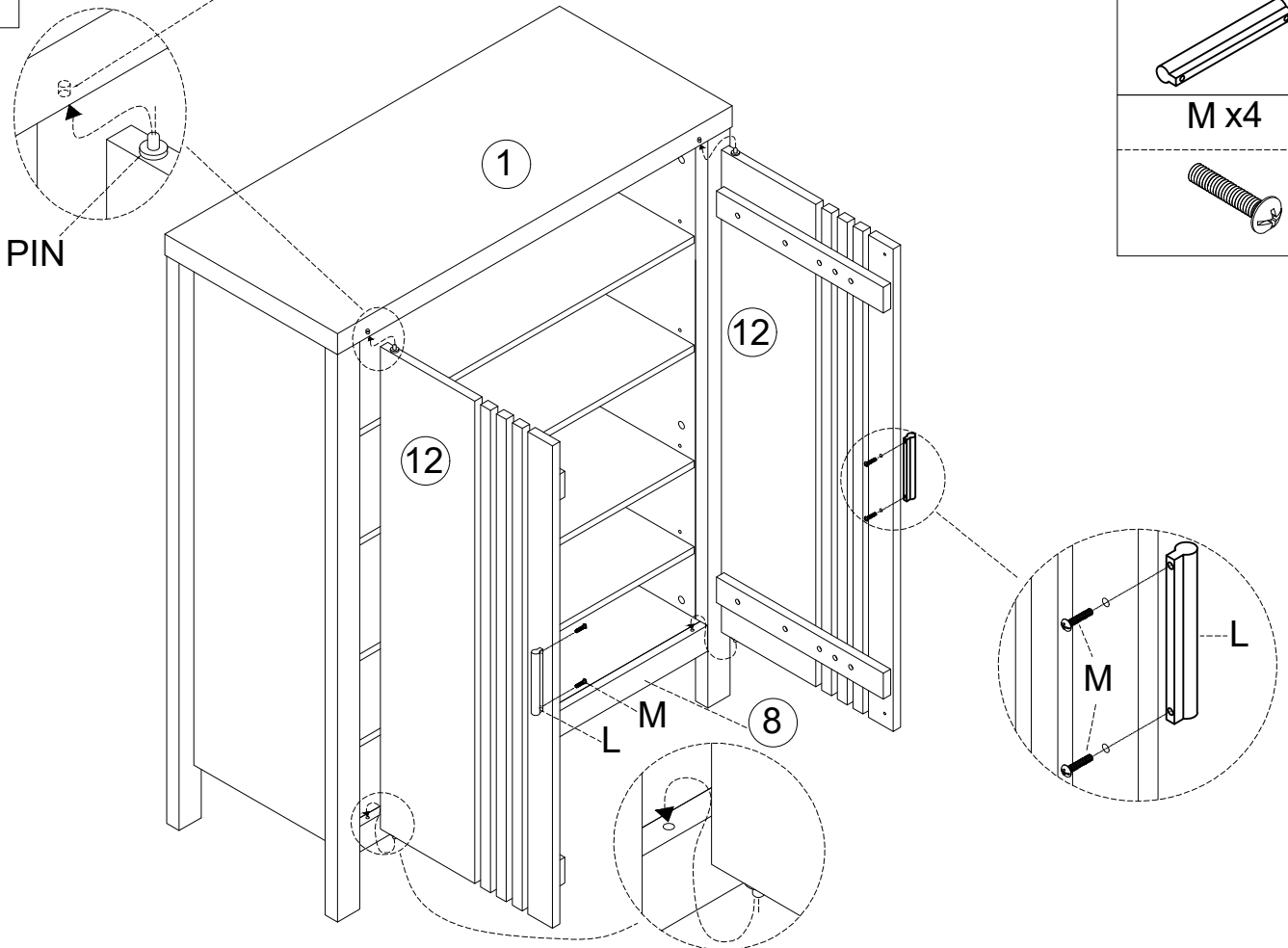
L x2



M x4

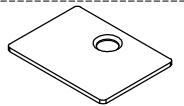


PIN



18

G x2



H x2

