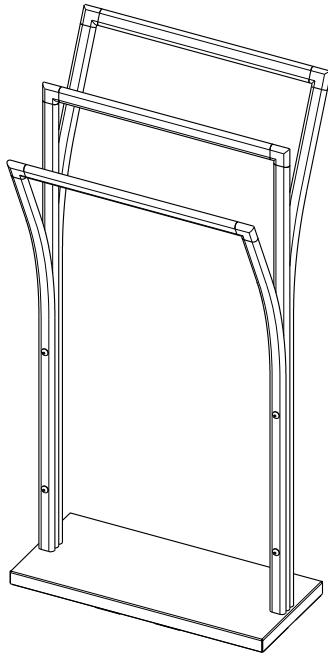


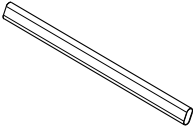


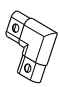

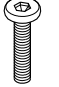
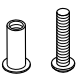
# KINGSTON BRASS

THE TRADITION OF FINE BRASS

## Pedestal Y Style Iron Frame Towel Rack Installation



### Parts:

Straight Tube		J Shape(long)	J Shape(short)	Two-way connector
	 2 Pcs	 2 Pcs	 6 Pcs	
	 2 Pcs	 2 Pcs	 4 Pcs	
A	13-3/4" 3 Pcs			
B	29" 2 Pcs			

[www.kingstonbrass.com](http://www.kingstonbrass.com)

TOLL-FREE CUSTOMER SERVICE: 1-877-2-KBRASS

TECHNICAL SUPPORT E-mail: [service@kingstonbrass.com](mailto:service@kingstonbrass.com)

12775 Reservoir Street, Chino, CA91710

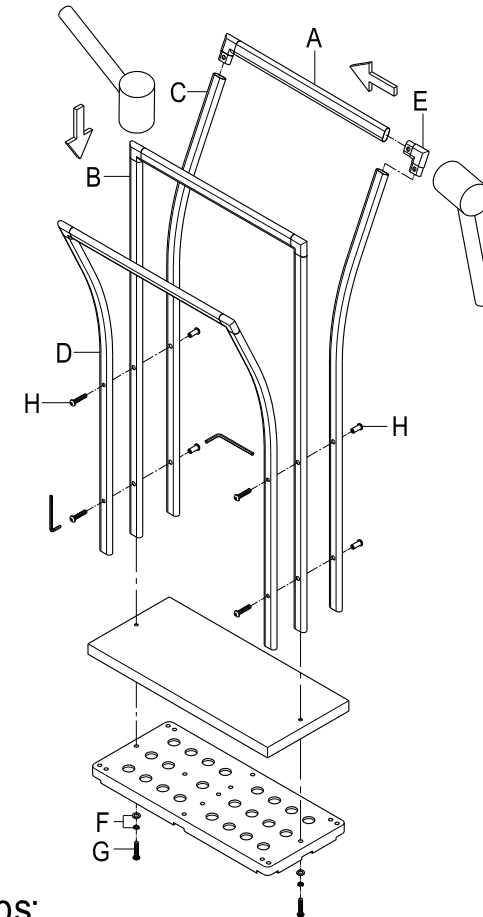
### TOOLS REQUIRED



Rubber mallet



Allen wrench



### Installation Steps:

- Step 1. Using a rubber mallet, gently tap the two-way connectors (part E) into the straight tube (part A). Repeat on the other side and for the remaining 2 pieces.
- Step 2. After completing step 1 with parts A. Locate parts B, C, D and E.
- Step 3. Then the straight tube (part B) and J Shape (part C, D), secure together using the provided sleeves and short screws (Part H) and Allen wrench. Repeat for the other end.
- Step 4. Next, locate the base, then the long screws (part G) and washers (part F) provided, secure them into base and parts B by tightening with an Allen wrench.

### Cleaning

Clean with a damp cloth only.  
Avoid using metal or abrasive polishes.