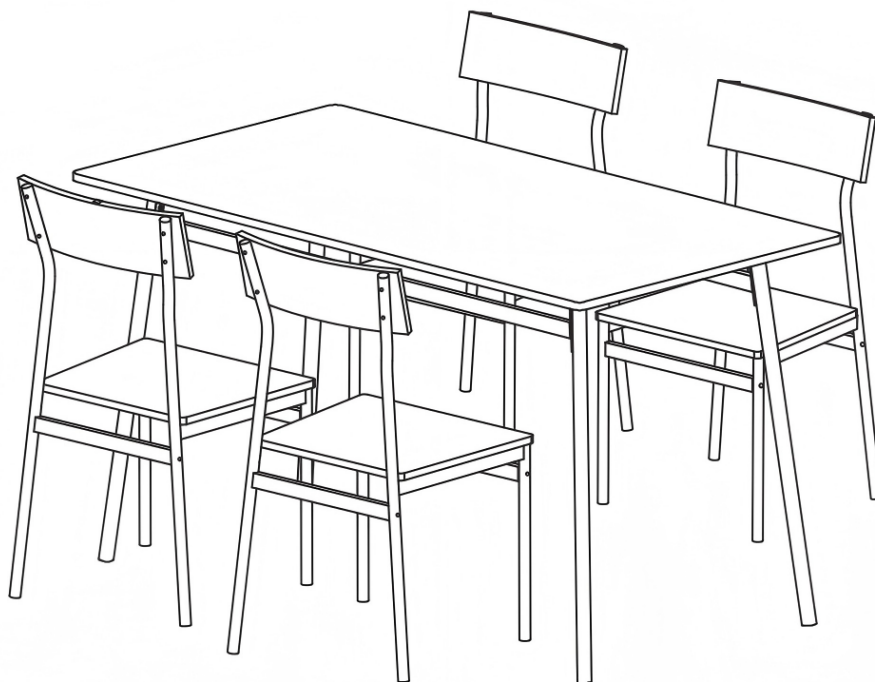


DINING SET

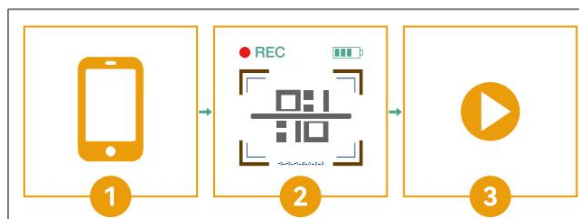
ASSEMBLY INSTRUCTIONS

MODEL NO.:RYS235



INSTALLATION VIDEO

Please scan QR code with iOS or Android phone camera,
click the link to play the installation video.
If QR code is damaged, please contact us to get installation video.
If no access for cell phone scanner, please try other APP.

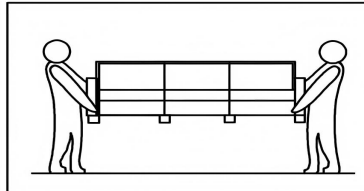
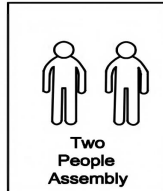
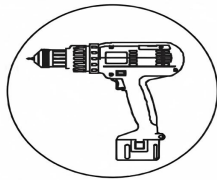


CAUTION:

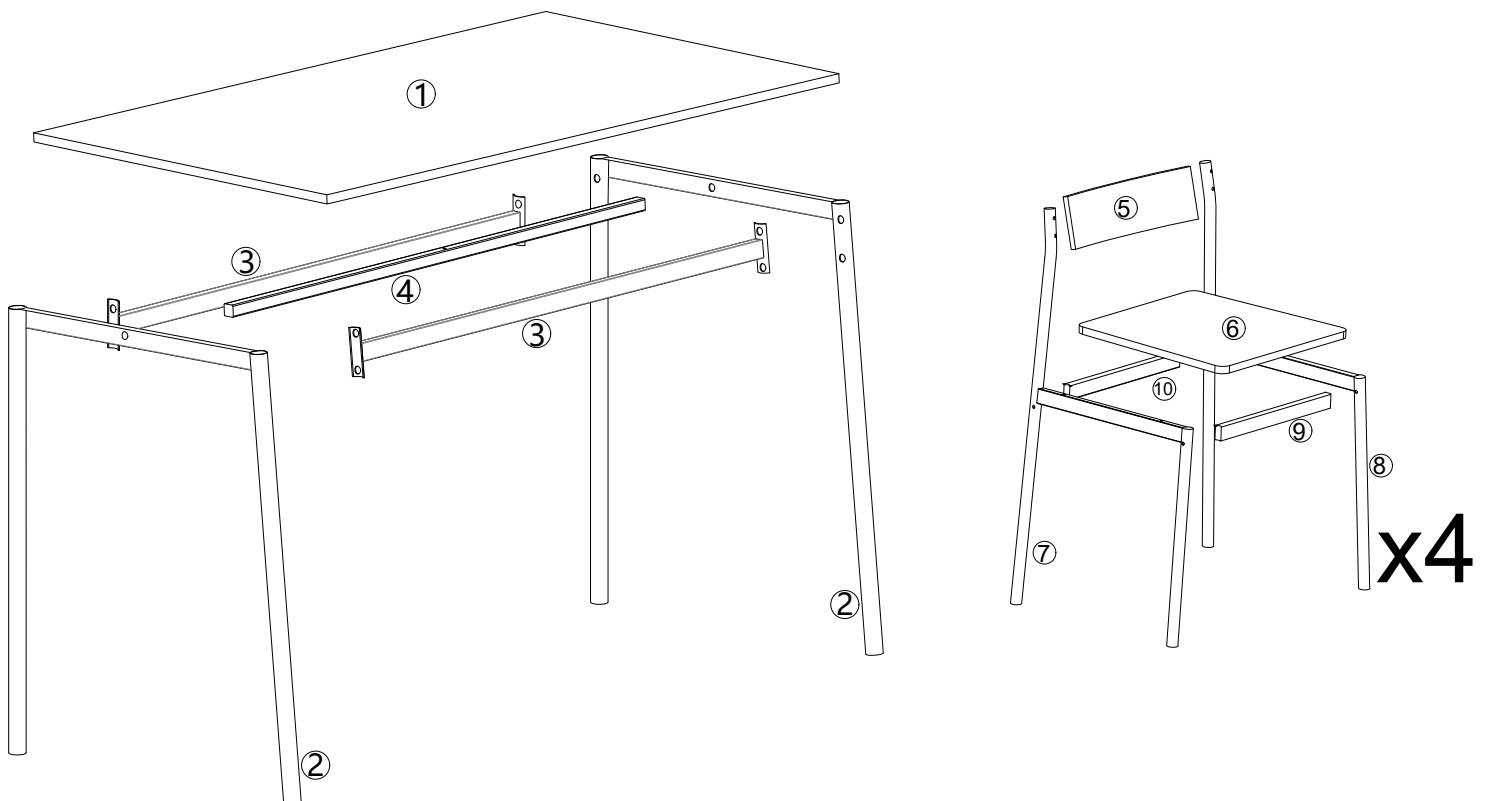
- Please read the instruction completely before assembly.
- Please do not throw away any of the packaging or the instruction until you have all the components and when the furniture is fully assembled.
- Considering the size and weight of the sofa/table/chair, we recommend two adults to assemble the sofa/table/chair, on a carpeted or padded area.
- Keep all components and packaging out of reach of children or animals to avoid risk of choking or suffocation.
- Please keep children away from plastic bag or any small pieces of stuff.
- Cushions should be regularly maintained for perfect use.
- 2 people to install is recommend.
- 2 people to lift the sofa/table/chair if you want to move it, do not push or pull directly
- Electric Drill tool is not included.

Electric drill will improve your assembling efficiency.

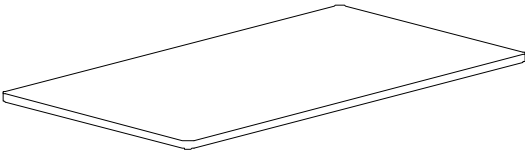
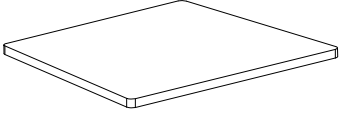
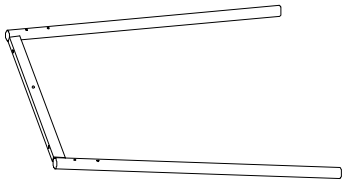
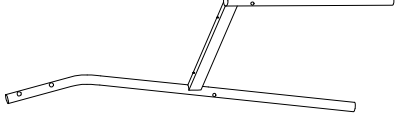
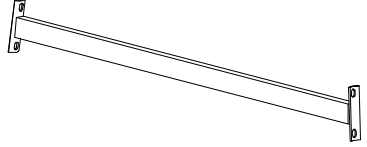
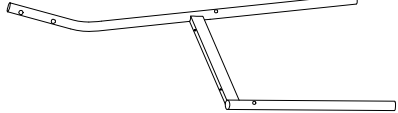
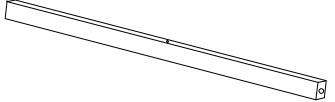
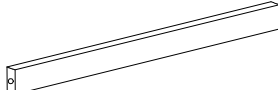
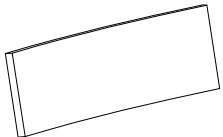
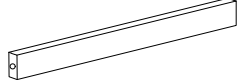
You can use it if you have this tool, DO NOT overtight to prevent from damaging screws and slats/boards.




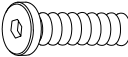
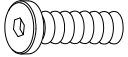


Components:



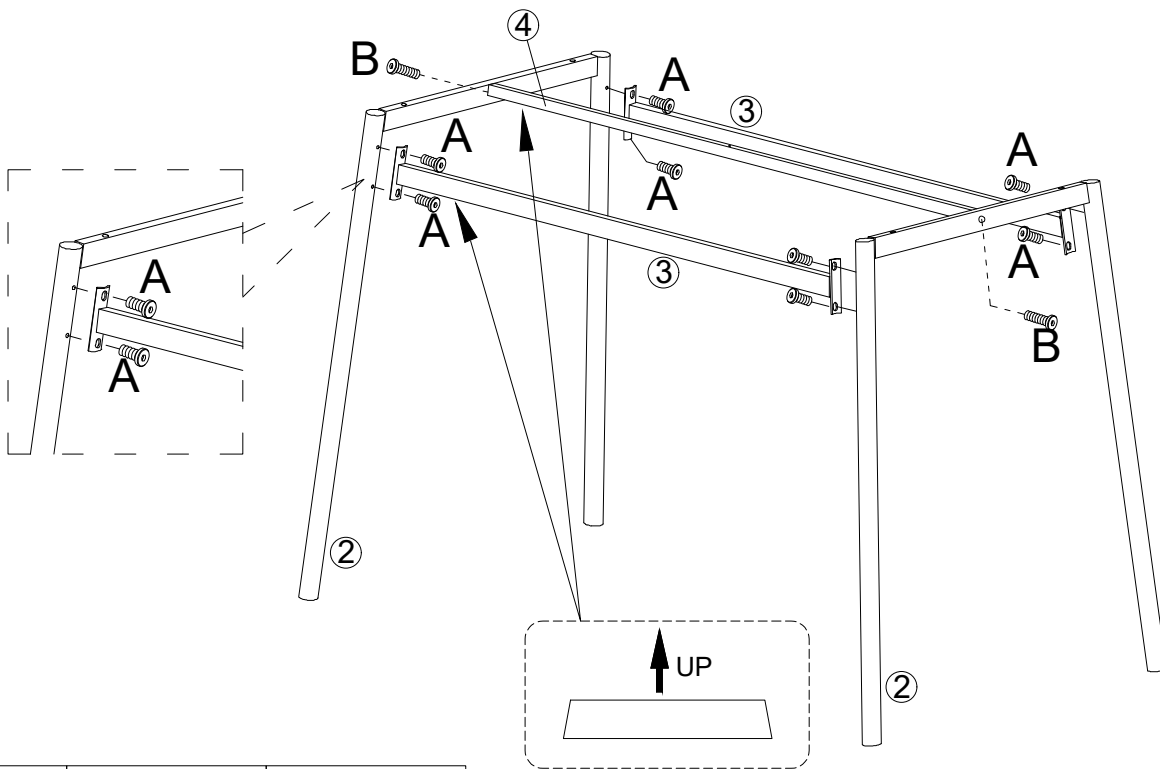
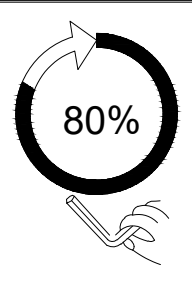
PART LIST

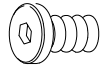
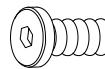

①		1PC	⑥		4PCS
②		2PCS	⑦		4PCS
③		2PCS	⑧		4PCS
④		1PC	⑨		4PCS
⑤		4PCS	⑩		4PCS

HARDWARE

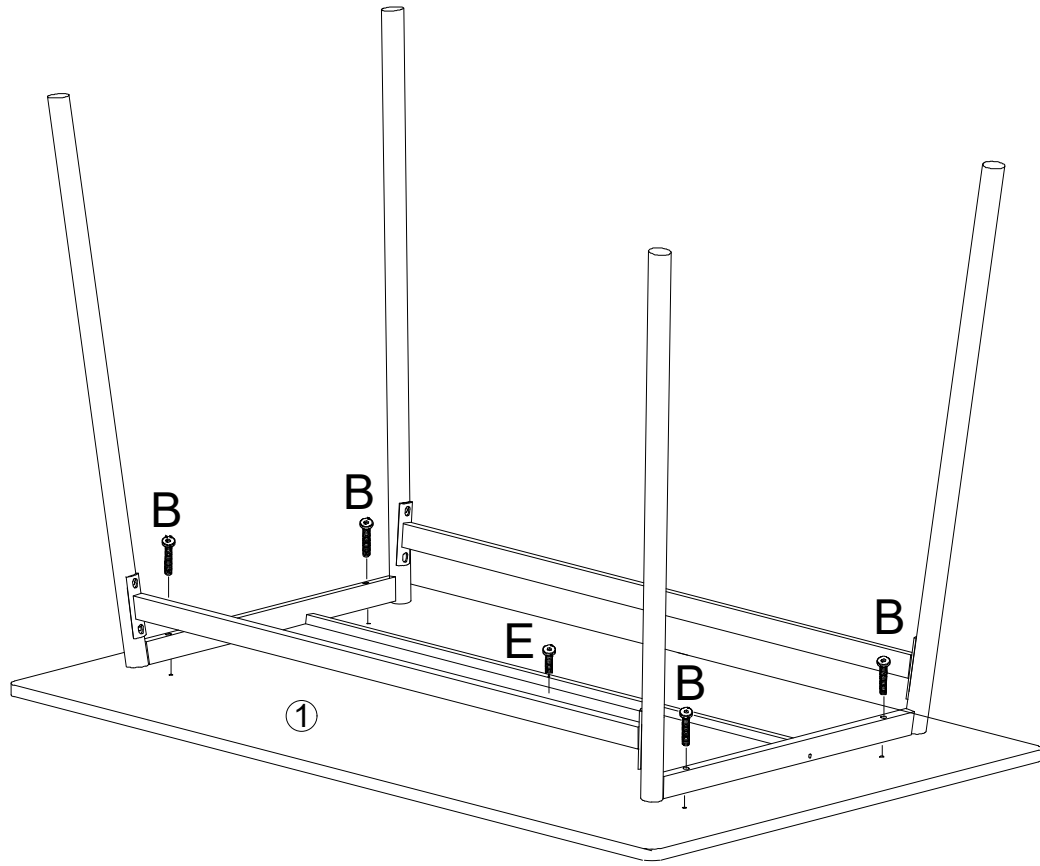
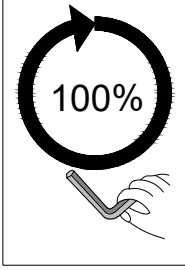
A		M6x12mm	8PCS
B		M6x40mm	38PCS
C		M6x35mm	16PCS
D		M4	1PC
E		M6x30mm	1PC




Step 1



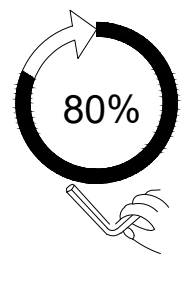
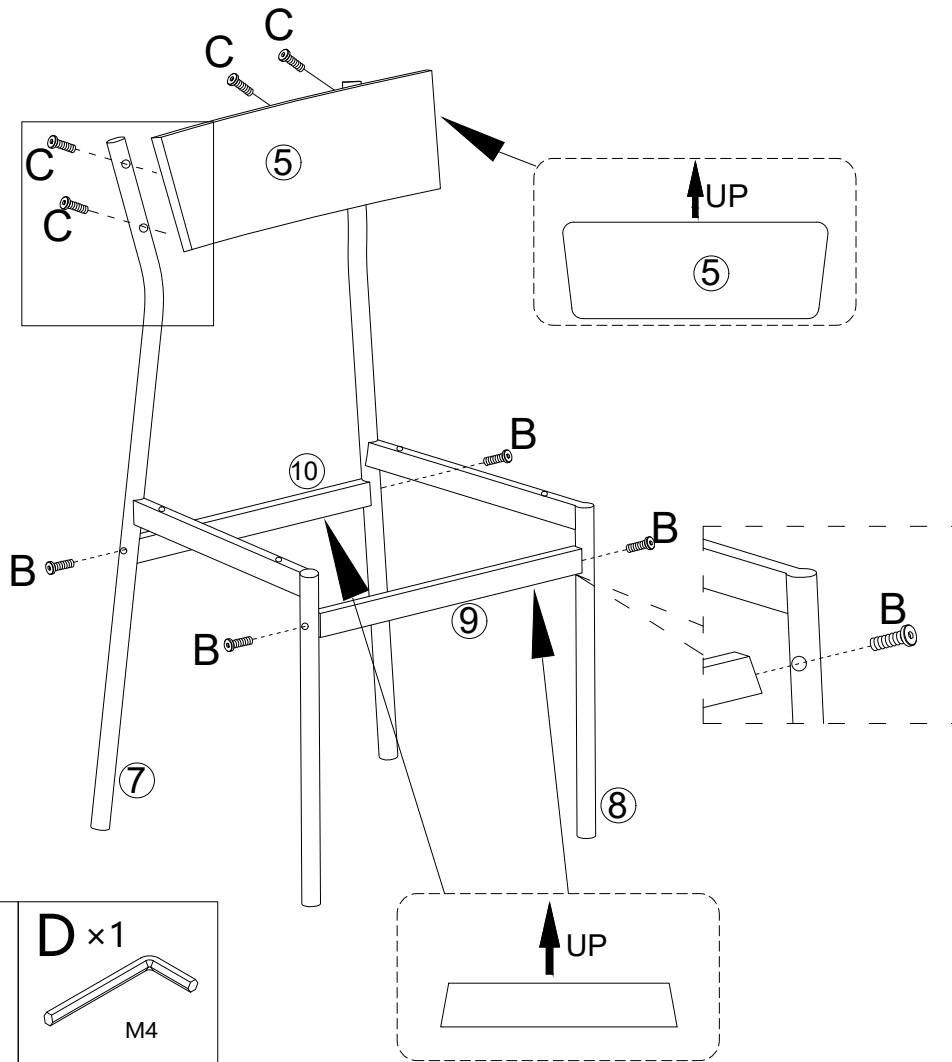
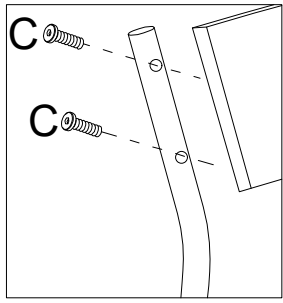
- A × 8**

 M6*12mm
- B × 2**

 M6*40mm
- D × 1**

 M4

Step 2



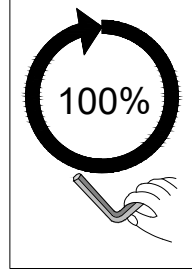
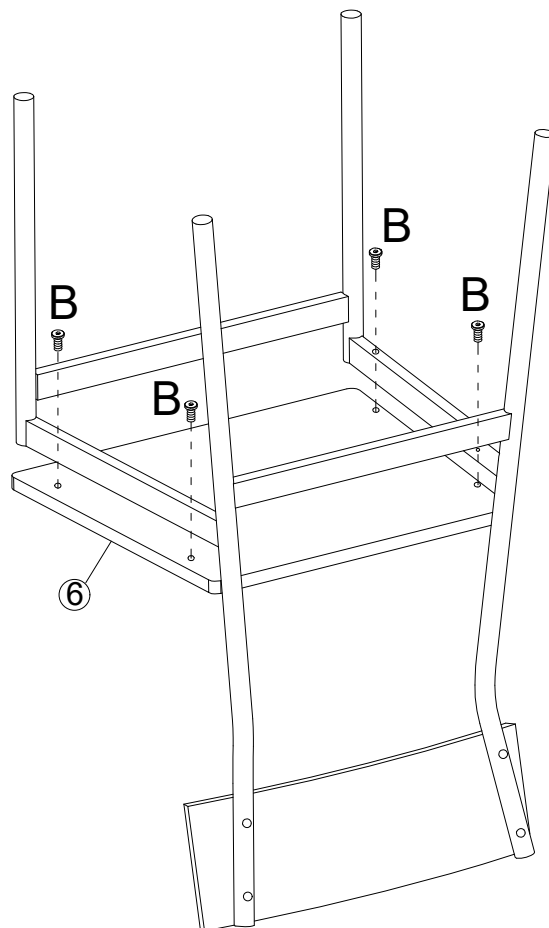
- B × 4**

 M6*40mm
- D × 1**

 M4
- E × 1**

 M6*30mm

Step 3



B × 16 M6*40mm	C × 16 M6*30mm	D × 1 M4
--------------------------	--------------------------	--------------------

Step 4



B × 16 M6*40mm	D × 1 M4
--------------------------	--------------------

