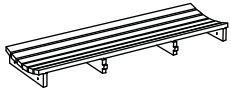


# Assembly Instruction

A



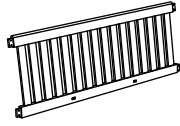
1X

B



1X

C



1X

D



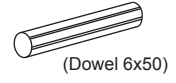
1X

E



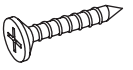
1X

G



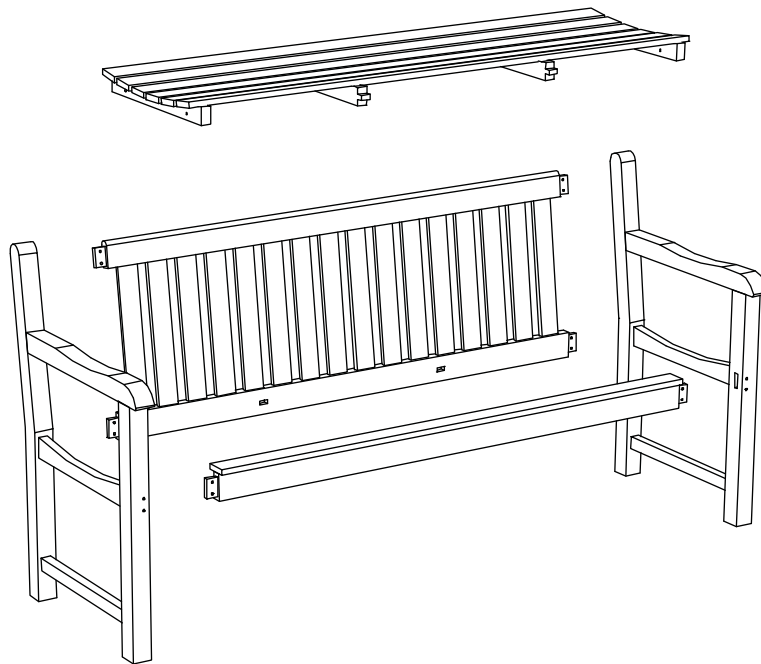
12X

H

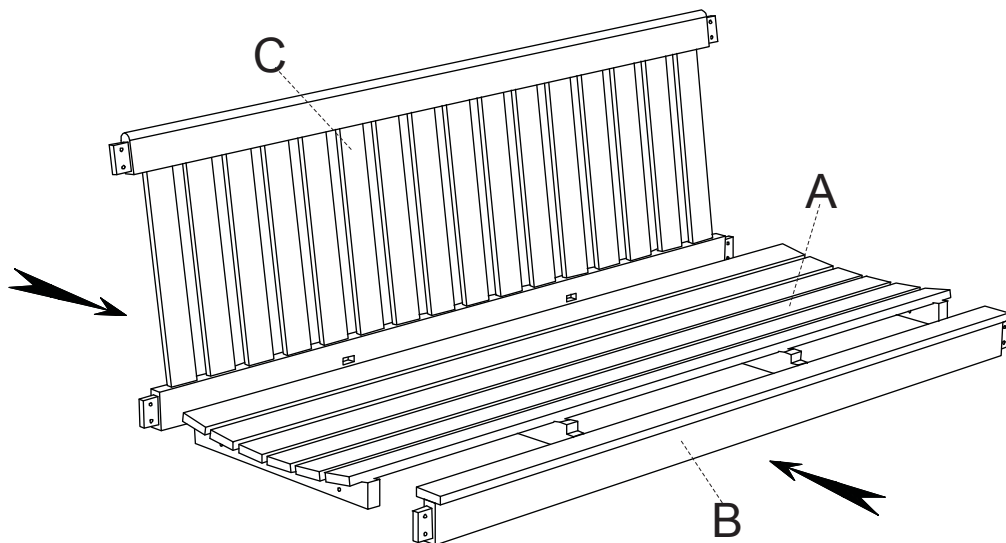


4X

1

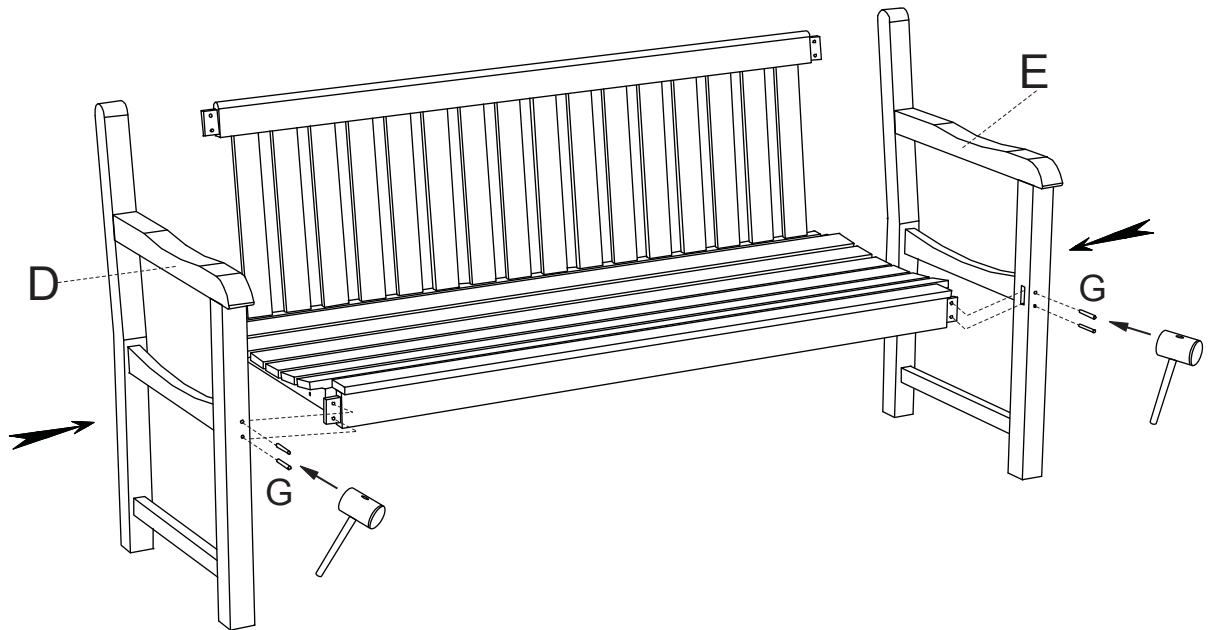


2

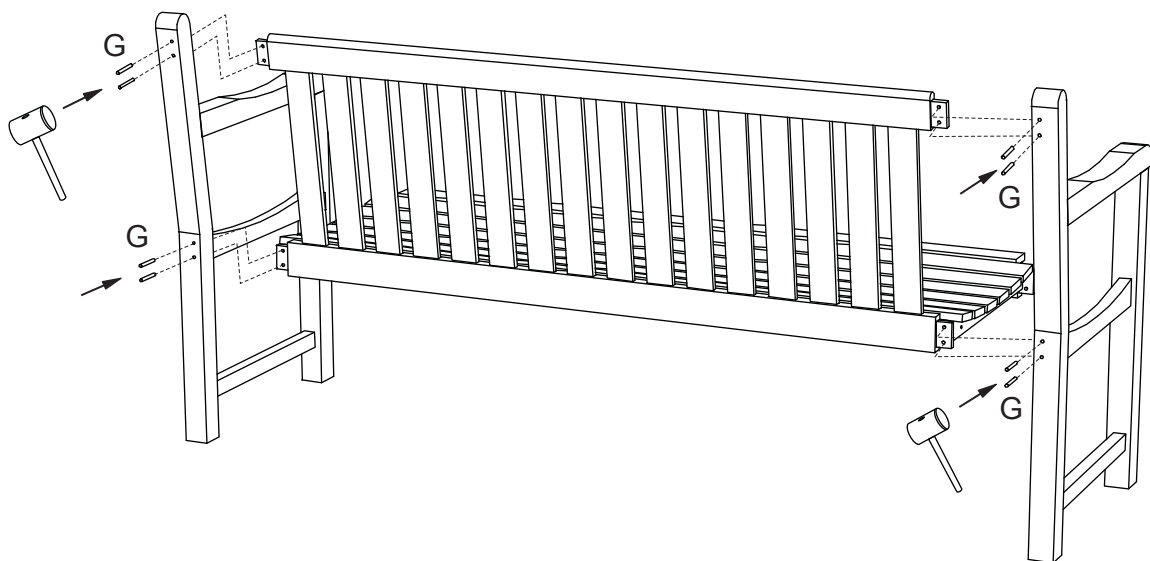


# Assembly Instruction

3



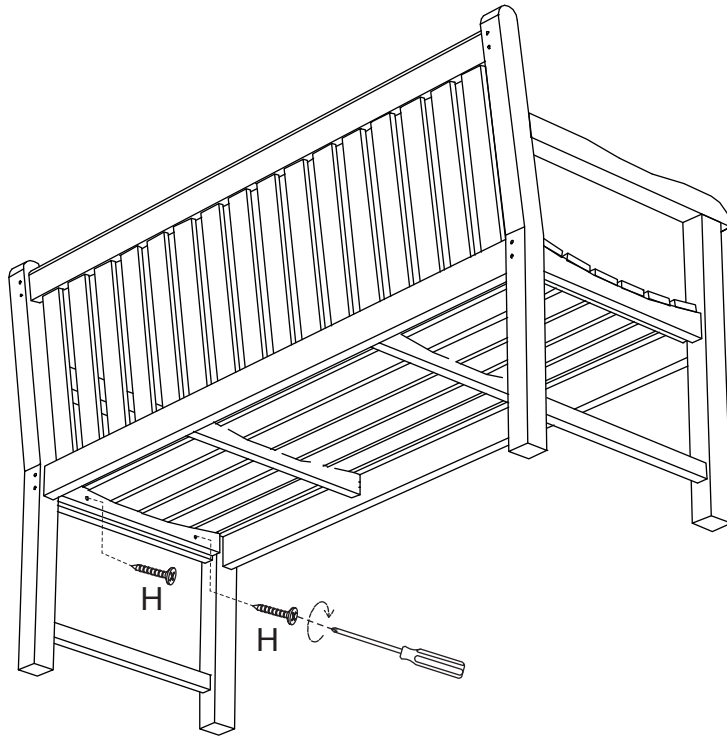
4



# Assembly Instruction

---

5



6

