











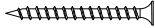
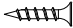
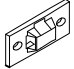

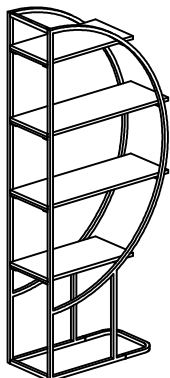


# ASSEMBLY INSTRUCTION

## HALF MOON BOOKCASE WITH SHELVES

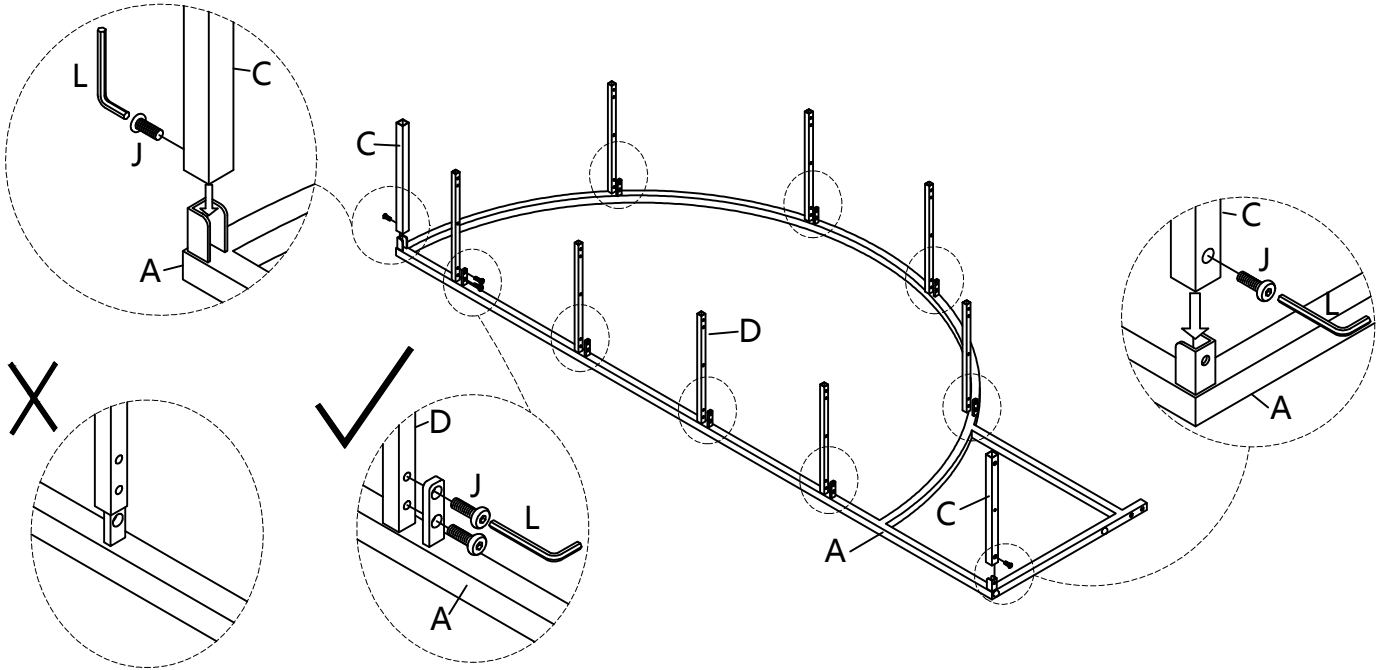
<b>A</b> Back Frame  1 PC	<b>B</b> Front Frame  1 PC	<b>C</b> Top and Bottom Rail  2 PCS
<b>D</b> Middle Rail  8 PCS	<b>E</b> Middle Long Shelf  2 PCS	<b>F</b> Top Short Shelf  1 PC
<b>G</b> Bottom Short Shelf  1 PC	<b>H</b> Bottom Rail  1 PC	<b>I</b> Connecting Plate (use in Alternative #1 only) 38 x 20 x 3 mm  1 PC
<b>J</b> Bolt 1/4" x 5/8"  42 PCS	<b>K</b> Screw 5/32" x 1"  8 PCS	<b>L</b> Allen Key M4  1 PC
<b>M</b> Long Screw 5/32" x 1-3/4" (Anti-Tipping Kit)  2 PCS	<b>N</b> Short Screw 5/32" x 5/8" (Anti-Tipping Kit)  2 PCS	<b>O</b> Metal Bracket 46 x 20 mm (Anti-Tipping Kit)  2 PCS
<b>P</b> Restraint Strap 590mm (Anti-Tipping Kit)  1 PC		



This page lists all the contents included in the box. Please take the time to identify the hardware as well as the individual components to this product. As you unpack and prepare for assembly, place the contents on a carpeted or padded area to protect them from damage.

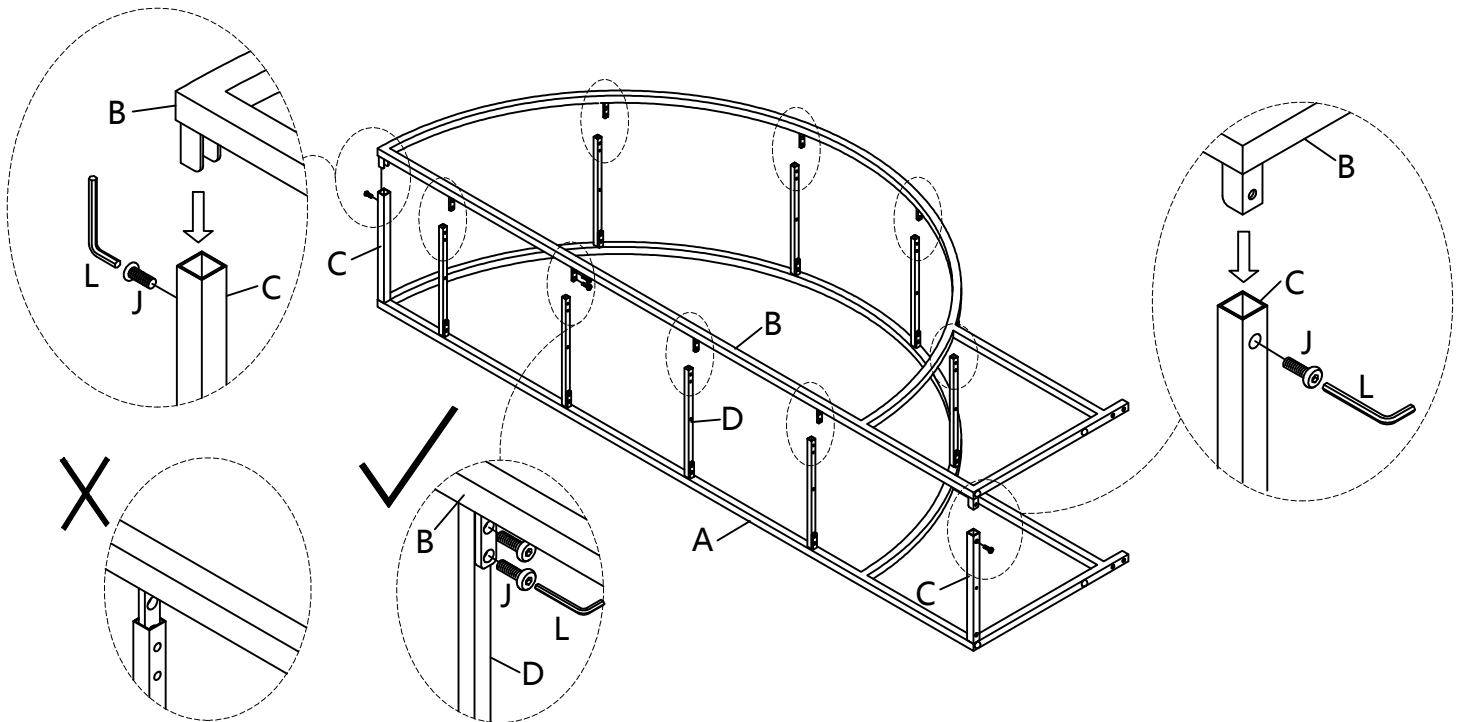
- 1** Insert Top and Bottom Rail (C) to Back Frame (A) and secure using Bolt (J) with Allen Key (L). Attach Middle Rail (D) to the bracket of Back Frame (A) using Bolt (J) with Allen Key (L).

**Note: Do not fully tighten the bolts at this step.**



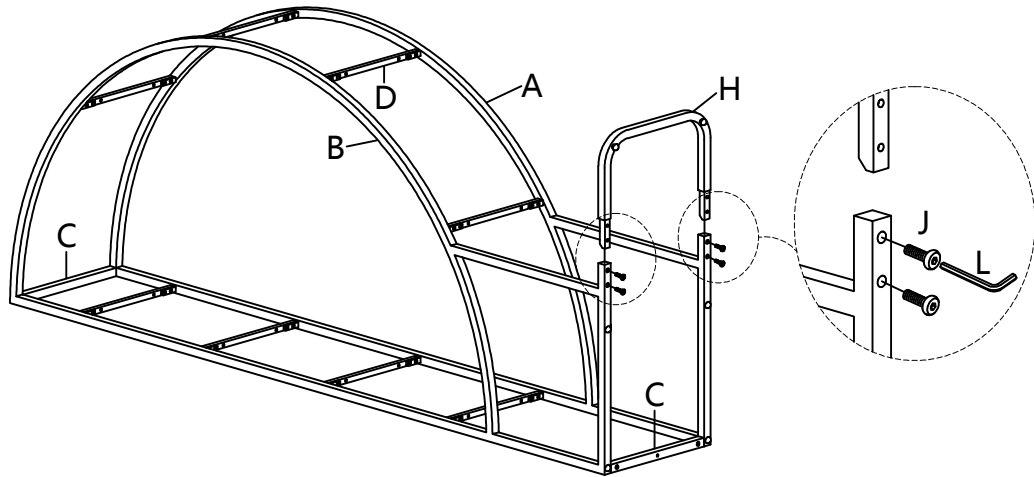
- 2** Insert Front Frame (B) to Top and Bottom Rail (C), attach the bracket of Front Frame (B) to Middle Rail (D) and secure using Bolt (J) with Allen Key (L).

**Note: Do not fully tighten the bolts at this step.**



- 3** Turn the assembled frame and insert Bottom Rail (H) to Back Frame (A) and Front Frame (B) and secure using Bolt (J) with Allen Key (L).

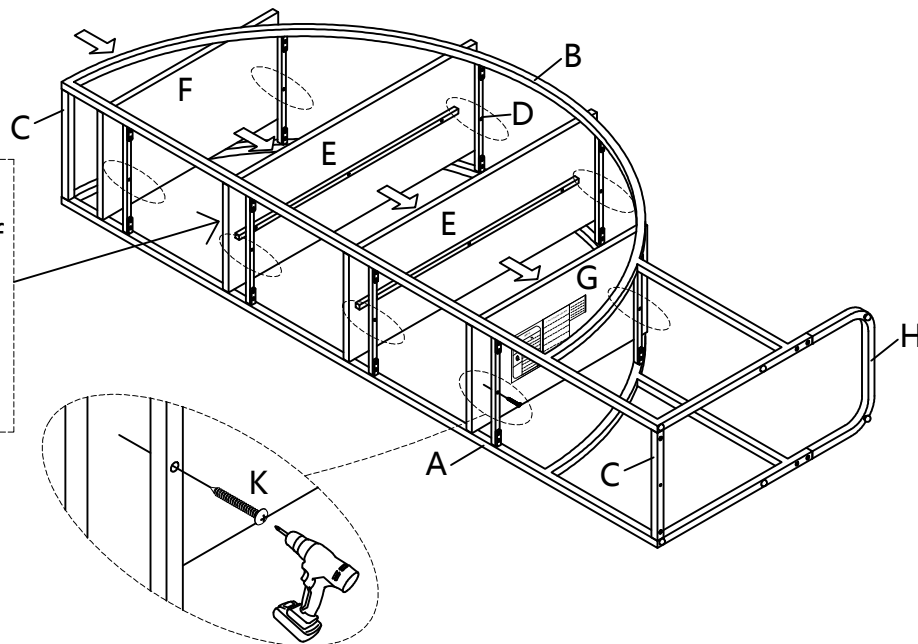
**Note: Do not fully tighten the bolts at this step.**



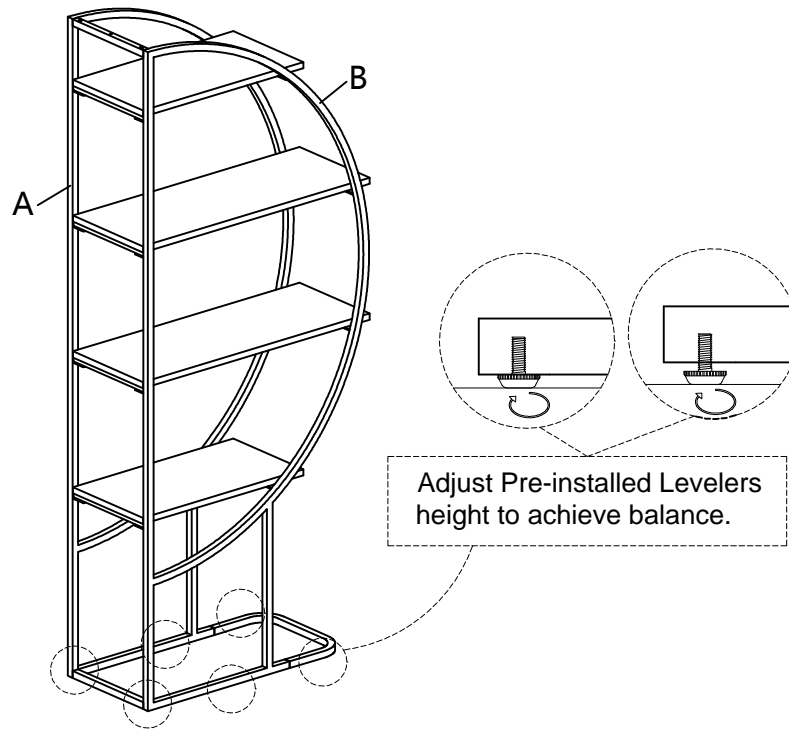
- 4** Turn the assembled frame and attach Middle Long Shelf (E), Top Short Shelf (F) and Bottom Short Shelf (G) to Rail (D) using Screw (K) with Drill Bit (not provided).

**Note: Fully tighten all bolts at this step.**

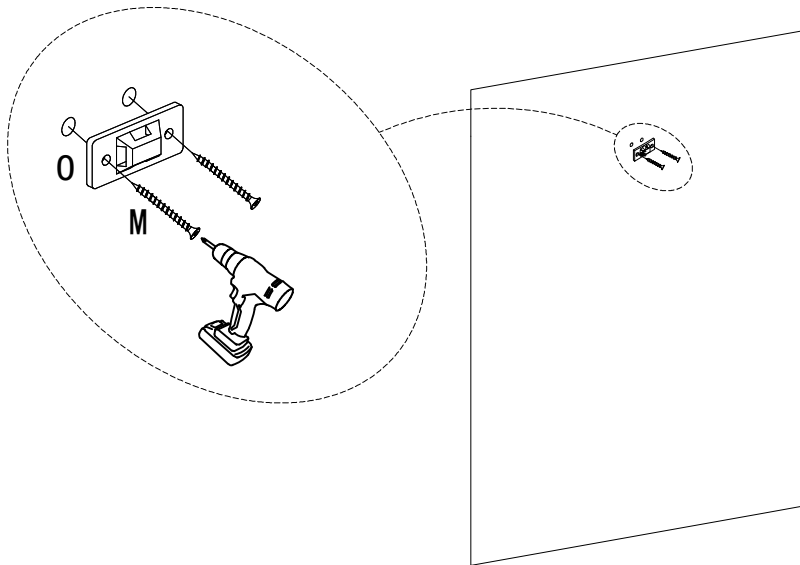
When assembling Middle Long Shelf (E), place the side with the smaller support rod gap as the left side.



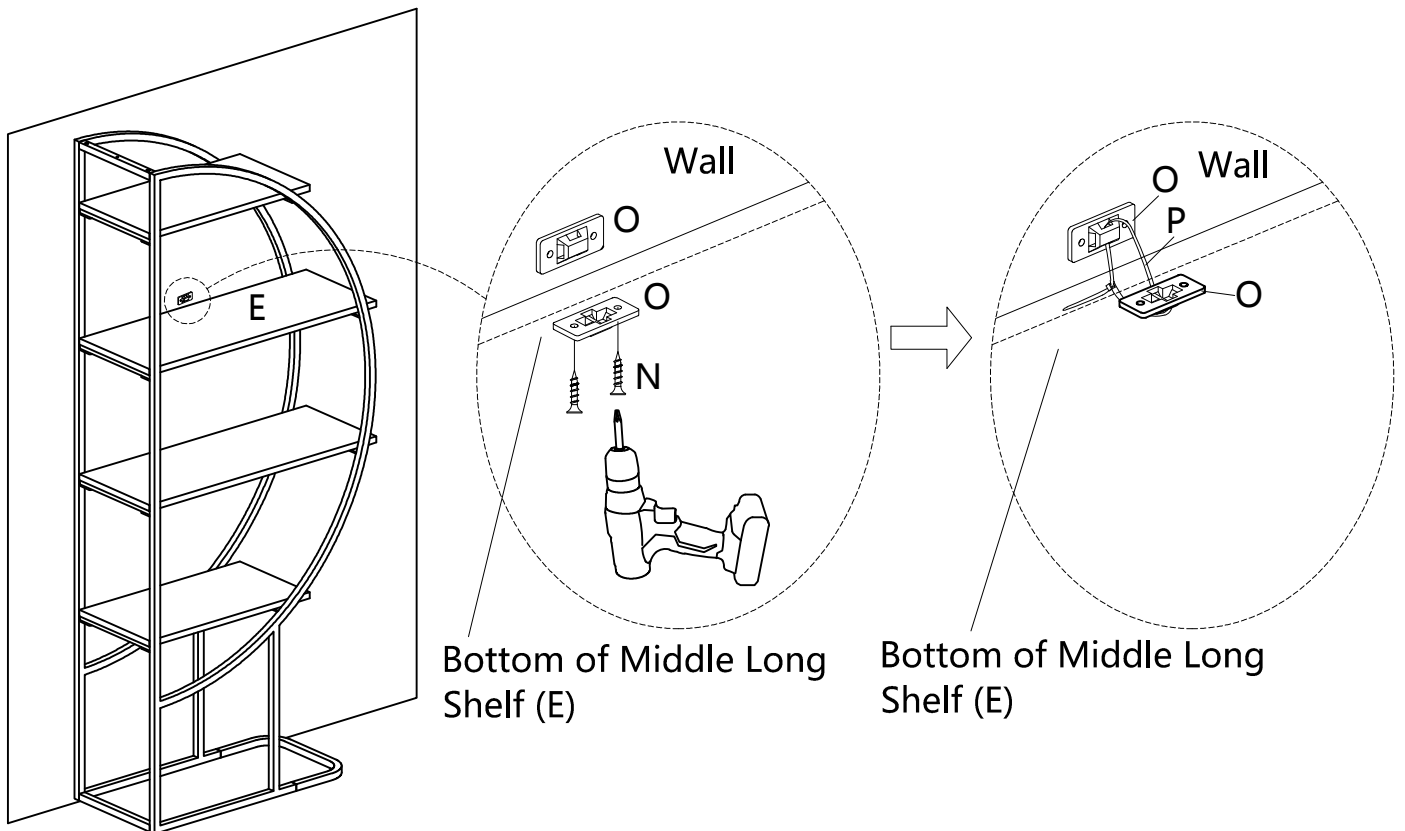
- 5** With assistance from your adult partners, turn the Bookcase right way up. Adjust the pre-installed levelers on the bottom of Back Frame (A) and Front Frame (B) until the Bookcase is level with the ground.



- 6** Fix Metal Bracket (O) on the wall using Long Screw (M) with Drill Bit (not provided) as shown below.



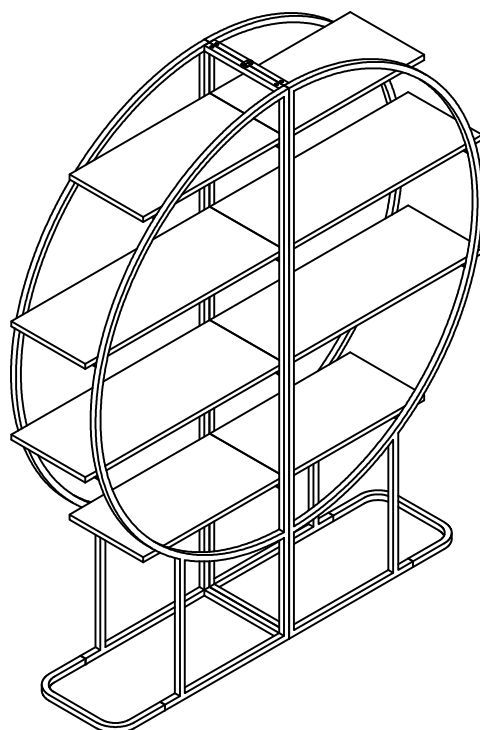
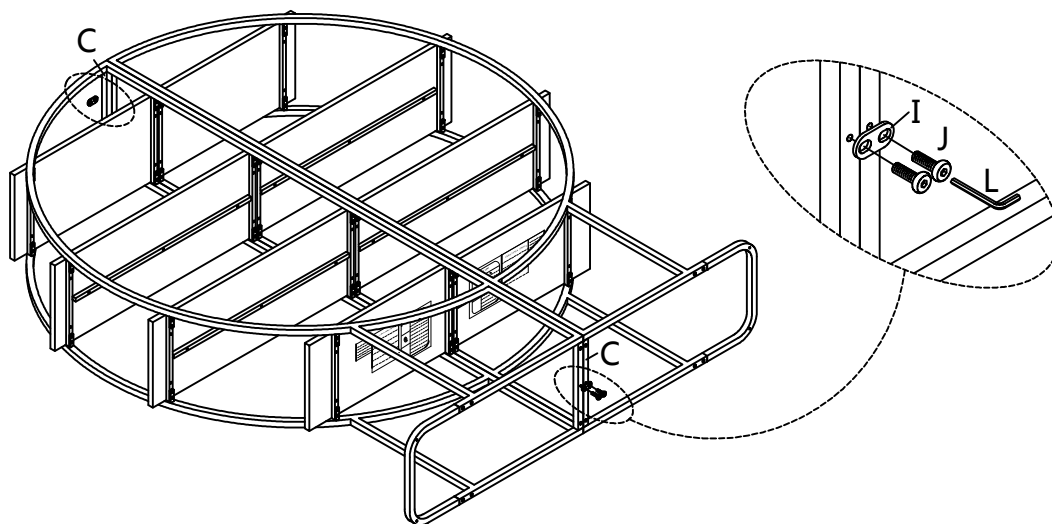
- 7** Move the Bookcase back against the wall. Fix Metal Bracket (O) on the bottom of Middle Long Shelf (E) using Short Screw (N) with Drill Bit (not provided). Pull the Restraint Strap (P) through the Metal Bracket (O) on the wall and Middle Long Shelf (E) and pull the Restraint Strap (P) tight.



## Alternative Modular Configurations for Purchasing 2pcs Bookcases

### Alternative #1

Fix Top and Bottom Rail (C) of 2pcs of Bookcases using Connecting Plate (I) and Bolt (J) with Allen Key (L).

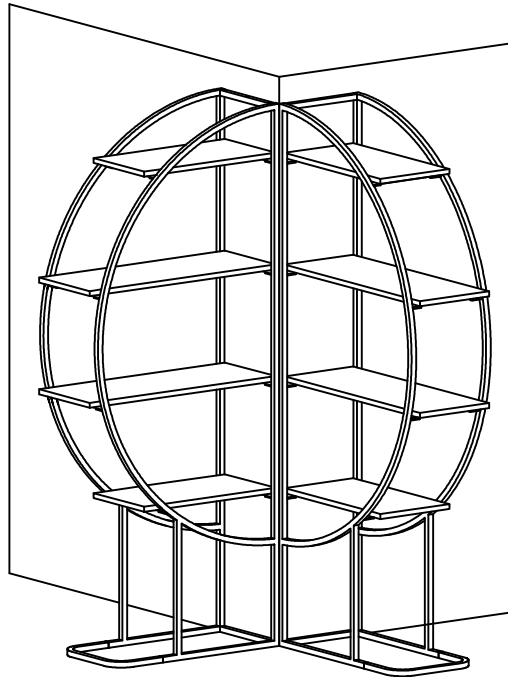


## Alternative Modular Configurations for Purchasing 2pcs Bookcases

---

### Alternative #2

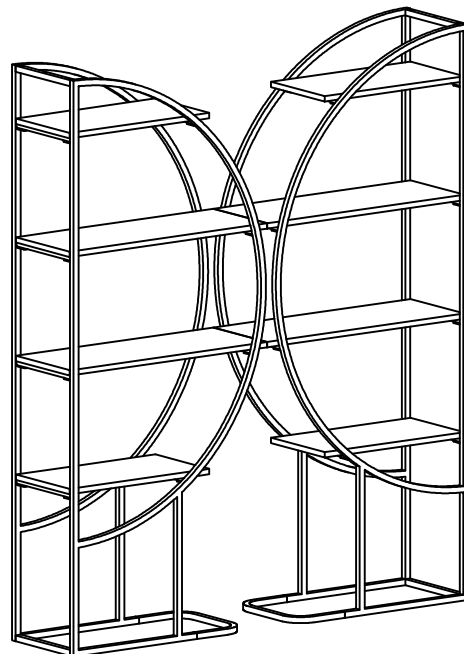
Put two pieces of Bookcases as shown below.



---

### Alternative #3

Put two pieces of Bookcases as shown below.



---

### Cleaning & Care

Treat surface with care. Surface is resistant to scratches but is not scratch resistant. Clean surfaces with a dry or damp soft cloth. Do not use abrasive cleaners. Hardware may loosen over time. Periodically check that all connections are tight.