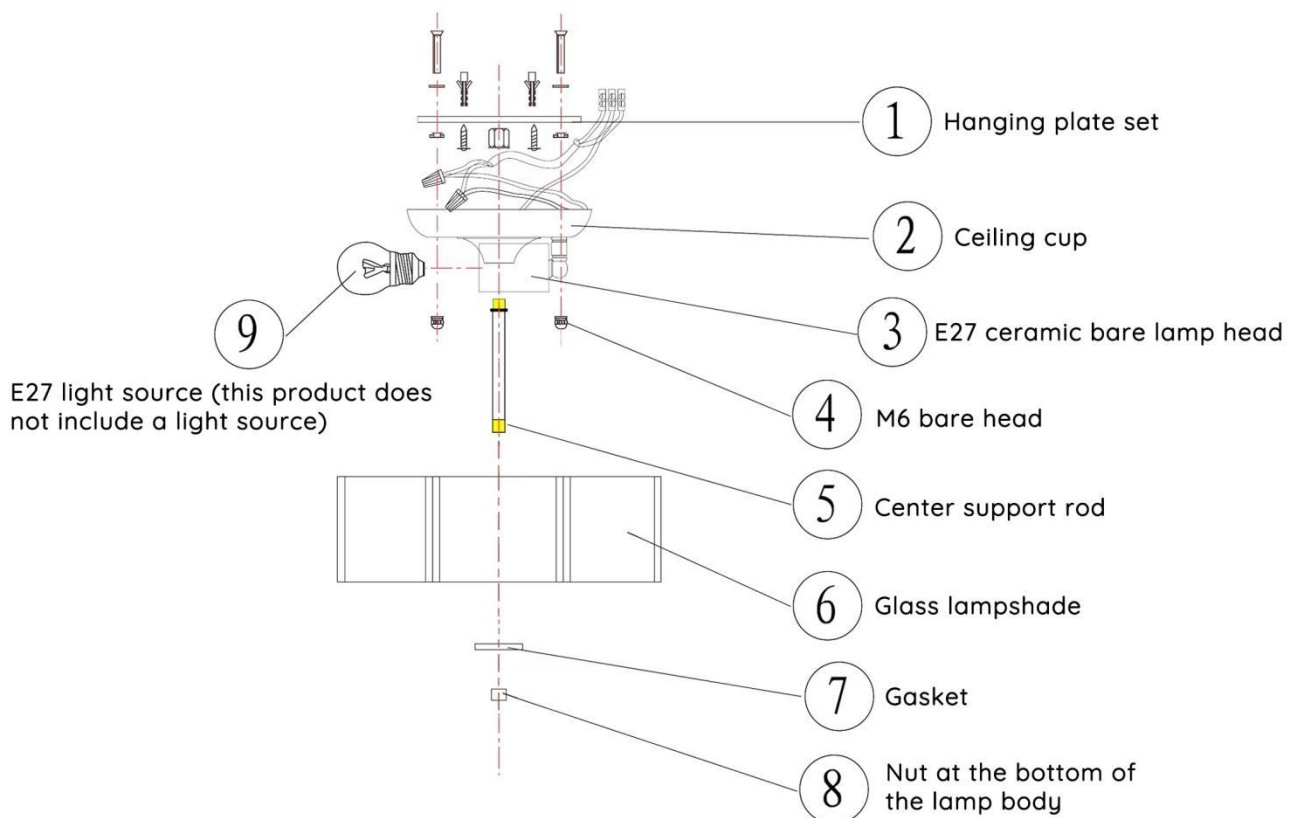


# Assembly Instructions for Model HL810576



## Installation steps

as follows:



## Notice:

There is no need to distinguish between zero and live wires when wiring this lamp.

The installation is complete.

Your fixture is now assembled and ready to use.