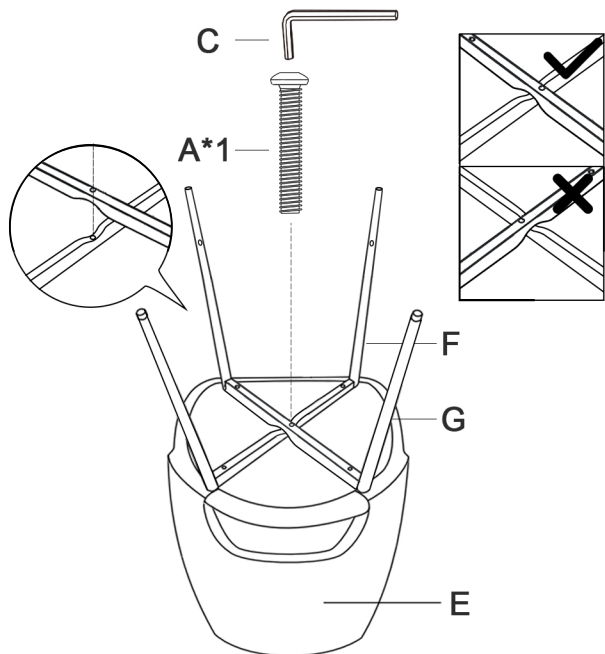


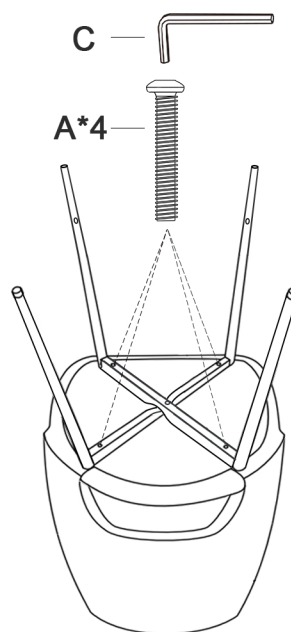
ASSEMBLY STEPS

Assembly tip: Just tighten the screws to 70% before all of them are aligned. After all the screws are aligned, tighten the remaining parts.



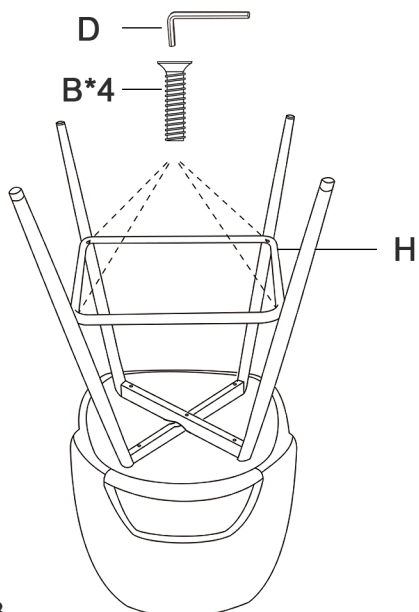
STEP 1.

Use screws (A*1) to connect the leg (G) with the leg (F) and fix it on the seat (E). This step screw is just tightened 70%.



STEP 2.

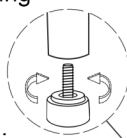
Secure the leg (F) and leg (G) to the seat (E) with screws (A*4). Screw in one by one and keep loose. Do not tighten completely.



STEP 3.

Use the screws (B*4) to fix the foot rest (H) to the leg. Do not tighten too much in the process. Wait until all 4 screws are screwed in, then tighten all the screws of the barstool.

Tips: By adjusting the adjustable foot pads, you can make the chair stable on uneven ground.



STEP 4.

Congratulations! You have possessed an exquisite barstool.