

## 4-Light Clear Glass Flush Mount Ceiling Light

**Caution:** Please turn off power before installation and read the manual carefully, we advise you contact professional electricians to install for safety purpose.

### Product Features

Style: Modern/Contemporary

Material: Metal , Glass

Color: Black, Nickel

Base Type: E12

Light Source Included: NO

Voltage: 120VAC

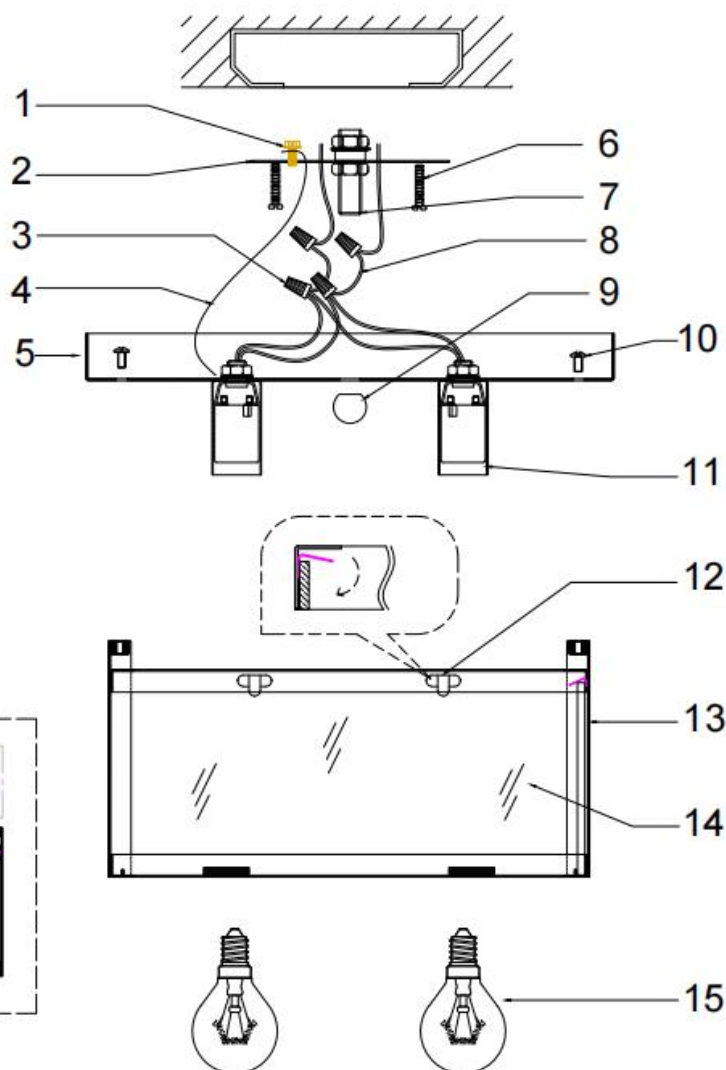
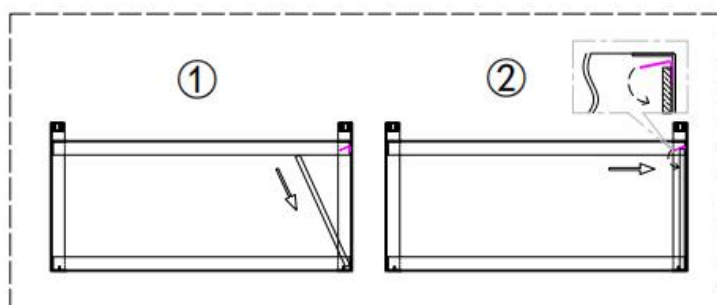
Wattage: 40W

### Package includes

1 x Ceiling Light

1 x Accessories Kit

1 x User's Manual



### Installation Instructions

- Loosen the screw nut (10) and remove the lamp holder.
- Insert the glass piece (14) into the lamp holder (13) from top to bottom, lift the glass clip (12) inside the lamp holder to hold the glass in place, and then use the screw (10) to fix the canopy (5) onto the lamp holder (13).
- Attach the mounting plate (2) to the electrical junction box using supplied mounting screws (6).
- Connect the live wire (black wire) of the main wire (8) to the live wire (+) of the fixture wire with wire nuts (3); Likewise, Connect the neutral wire (white wire) to the neutral wire (-) with another wire nuts (3). Be careful not to expose the bare wire to prevent electric leakage. Secure the ground wire (4) of the fixture and the external ground wire to the mounting plate (2) with green screw (1).
- Thread the canopy (5) through the thread rod (7), and then tighten the decorative nut (9) to fix the light fixture.
- Assemble the bulbs (15) (not included) onto the lamp holder (11) .

**Note:** please use this product accordingly to its intended purpose, do not retrofit or remodeling the product. The warranty does not cover if the failure is caused by the third party product, or natural disasters.