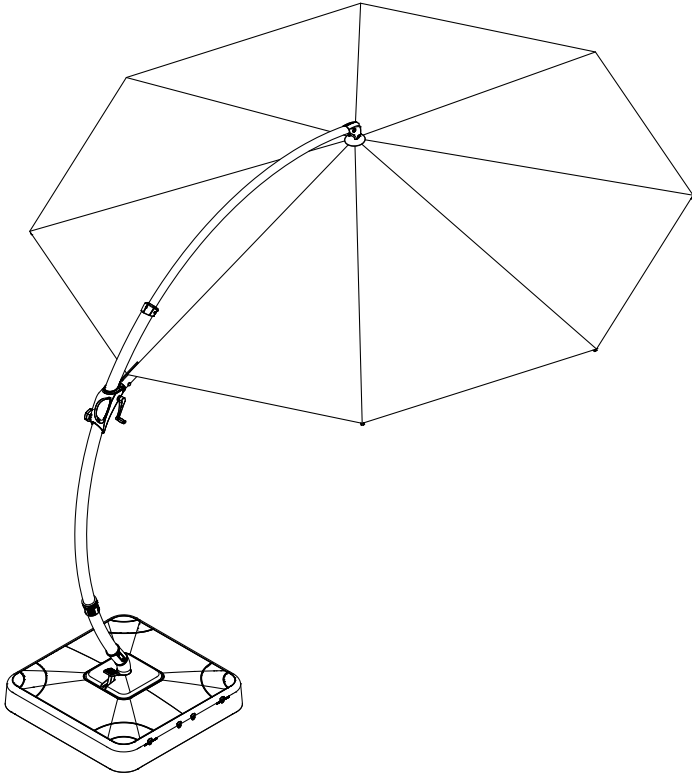


DELUXE CANTILEVER UMBRELLA



Attention

Thank you for purchasing this product. We have created these easy-to-follow instructions to ensure that you spend your time enjoying the product instead of putting it together. If you need more information, please get in touch with us via the email

PREPARATION

- Before assembly, please read and understand this manual.
- The product is shipped in one box, and it is essential to ensure that all parts are present before assembly. Compare the details with the package content list and hardware content list.
- If any part is missing or damaged, do not attempt to assemble the product.
- The estimated assembly time is about 40 minutes.

WARNING

- When assembling the product, it is important to tighten each bolt firmly and correctly. Do not fully tighten all bolts and screws until assembly is completed.
- Please note that certain parts may possess sharp edges, and as a precautionary measure, we strongly advise wearing protective gloves when assembling.
- Children under the age of 16 should not be involved in the assembly, dismantling or disassembly of products.
- Always keep children under close supervision by a competent adult while using or around this product, and keep them out of the assembly area during assembly.
- This product is heavy and may require **TWO adults** for safe assembly.
- Additionally, never use this product as support and do not shake, lean, or climb on the product anytime.

CARE AND MAINTENANCE

- Before using, clean the product entirely with a soft, dry towel.
- When not in use, wipe away dirt. Wash with a mild solution of soap and water, rinse and dry completely.
- Do not use strong detergents or abrasive cleaners.
- Store the product in a good, dry location away from sunlight.

 **CAUTION**

- Please retain these instructions for future reference.
 - The paint on this product may peel off if it is fitted or misused.
 - Use and carry this item with care and apply touch-up paint (not included) when necessary.
 - This patio umbrella is designed and made for personal, non-commercial use and should not be used as a toy or a tool.
 - Do not place the product near any heat source.
-

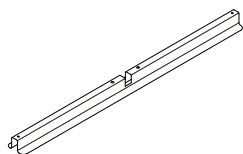
WARRANTY

This warranty is extended to the original purchaser. It applies to defects in materials and quality of your patio umbrella, provided it is maintained with care and used only for personal and residential purposes.

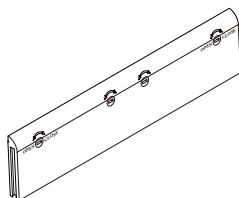
The frame is warranted to be free from defects in material or quality for one year.

The fabric is insured for one year against defects in material or quality.

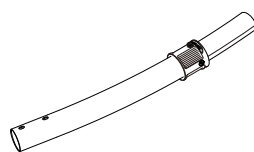
Component List



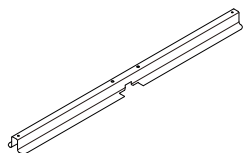
A x 1



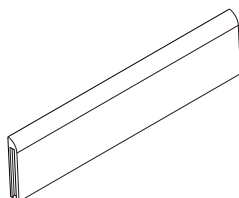
H x 2



N x 1



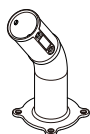
B x 1



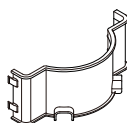
R x 2



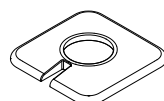
U x 1



C x 1



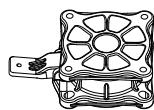
J x 2



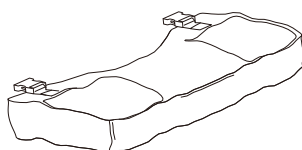
V x 1



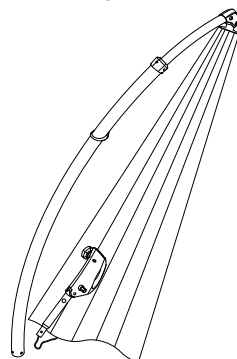
S x 1



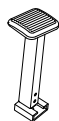
D x 1



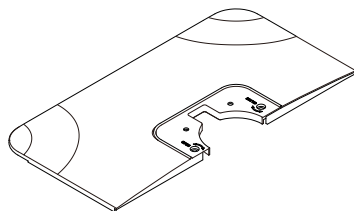
K x 2



P x 1



T x 1



L x 2



Q x 1

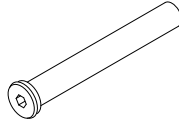


G x 4

Component List



PP x 4 (M10 X 30mm)



EE x 3 (∅ 8.8 X M6 X 66mm)



HH x 1 (S5)



QQ x 4 (M10 X 20mm)



FF x 4 (M6 X 15mm)



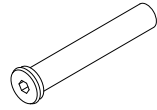
NN x 2 (S4)



DD x 1 (M6 X 10mm)



LL x 2 (M6 X 25mm)



RR x 1 (∅ 8.8 X M6 X 40mm)



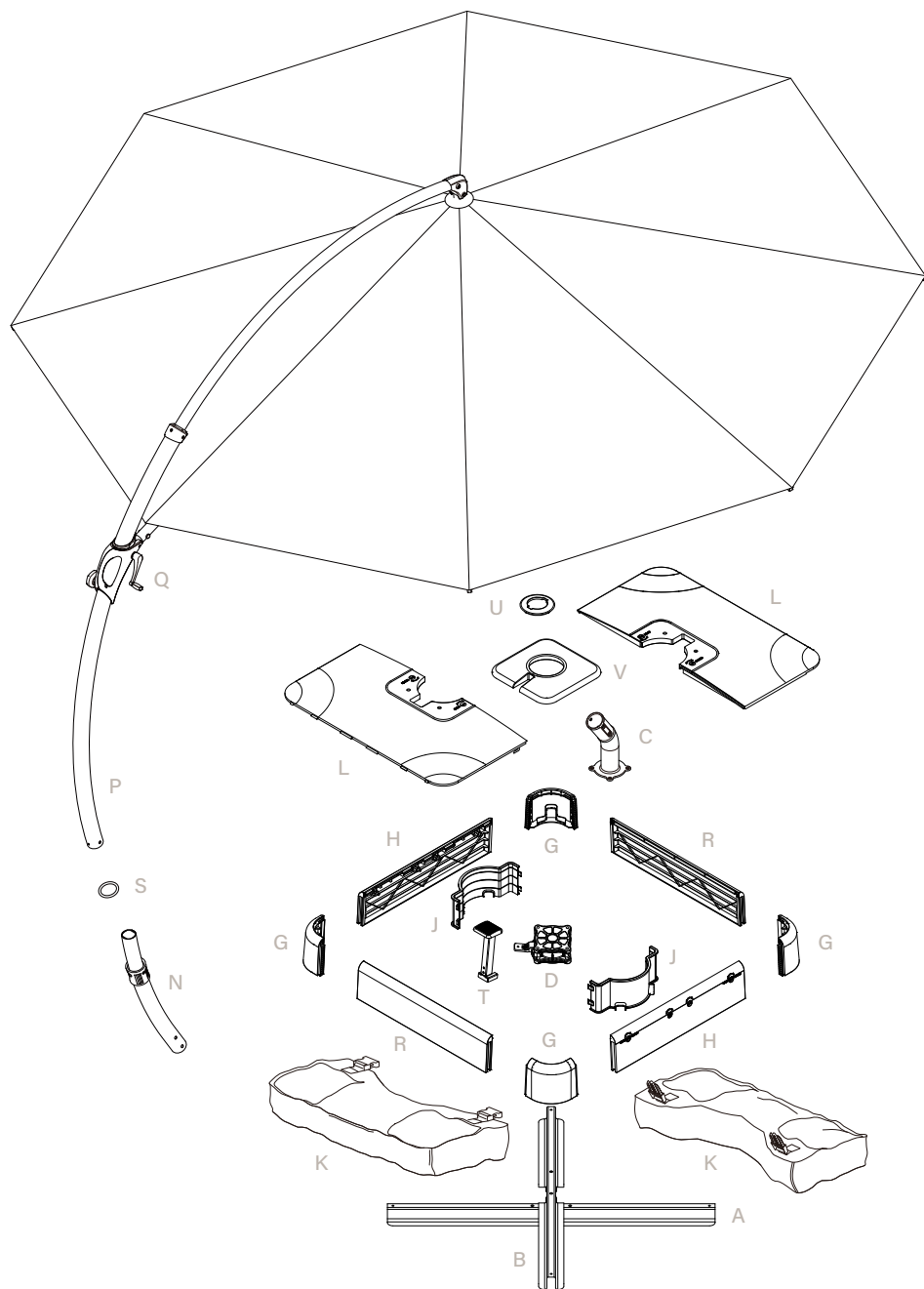
JJ x 1 (S13)



GG x 1 (S8)

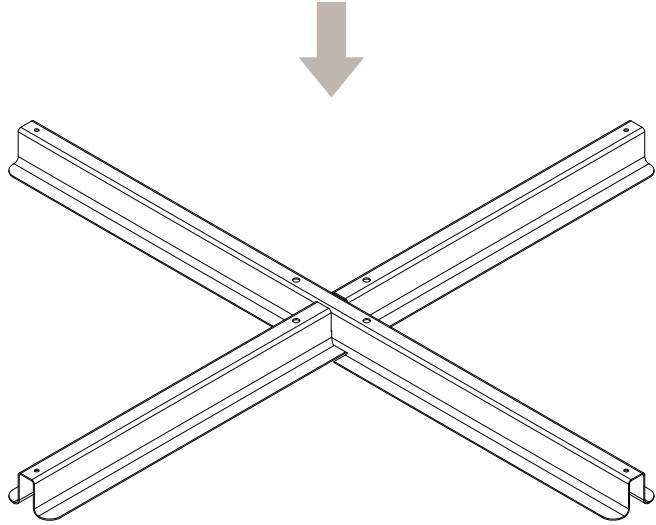
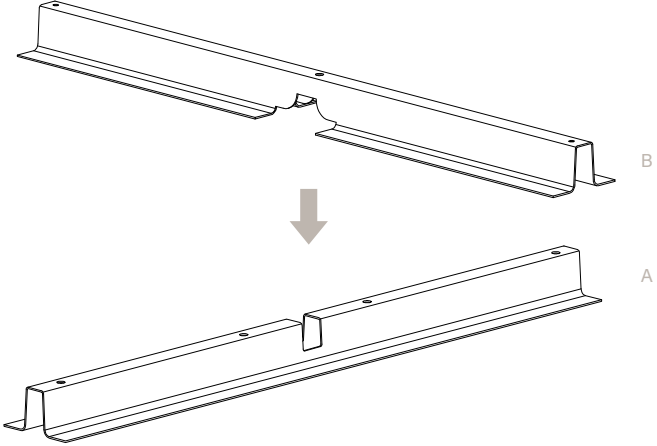
DO NOT FULLY TIGHTEN ALL SCREWS UNTIL ASSEMBLY PROCESS IS COMPLETE.

Parts

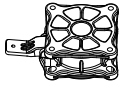


Base Installation

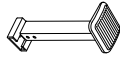
1.1



1.2



D



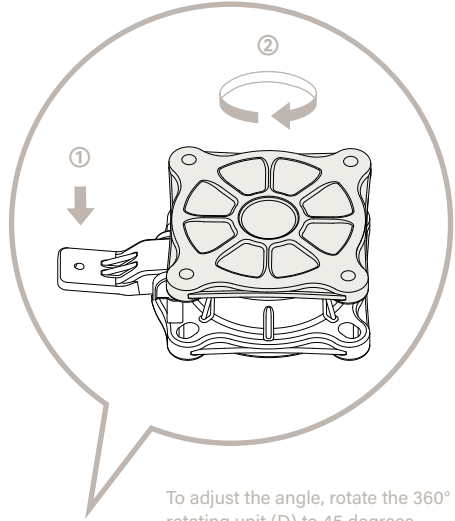
T



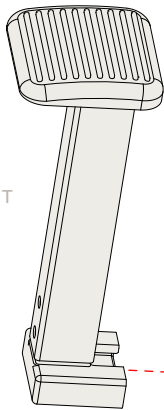
M6 X 10mm DD



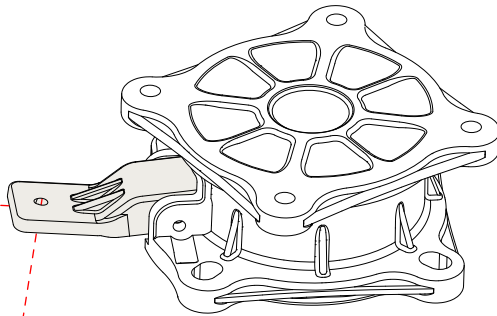
S5 HH



To adjust the angle, rotate the 360° rotating unit (D) to 45 degrees.



T

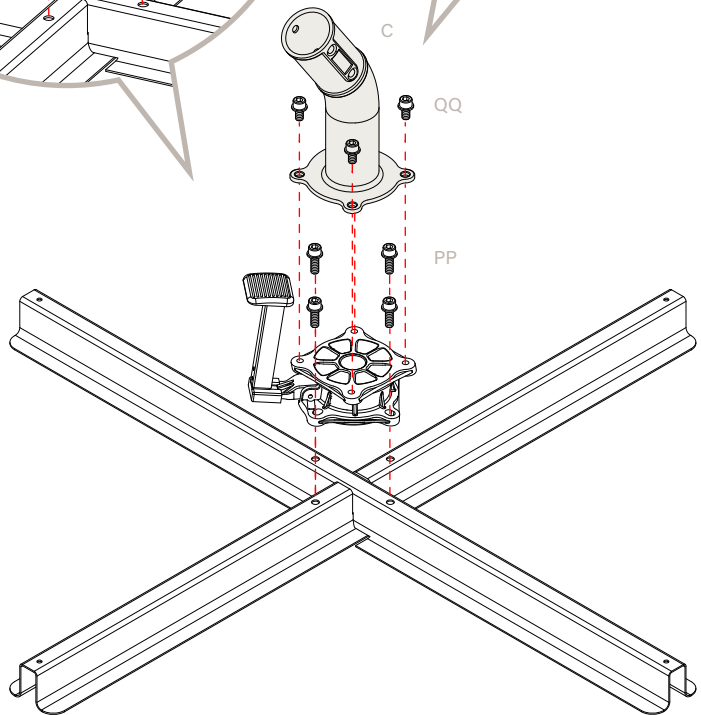
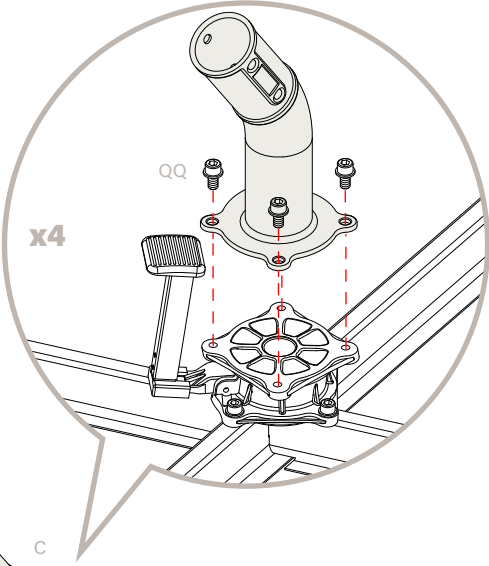
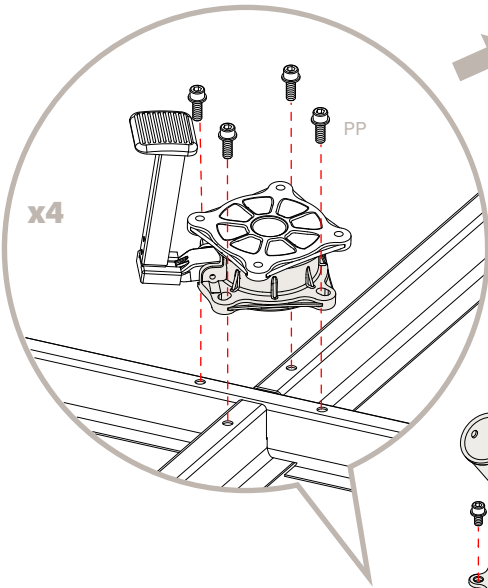
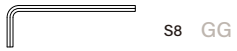
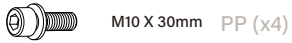
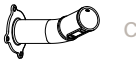


D



DD

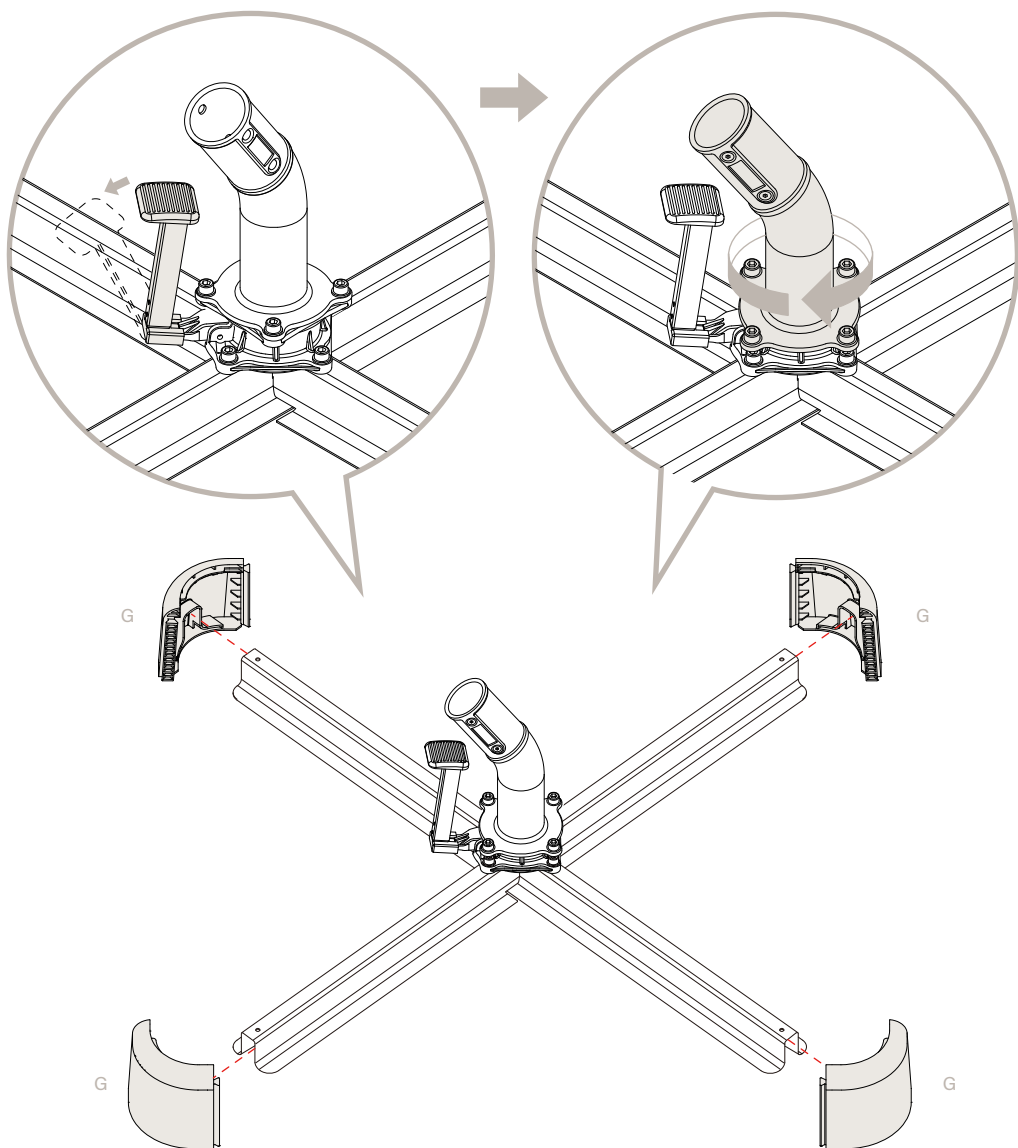
1.3



1.4



G (x4)



Insert the corner connector (G) into the four ends of the assembled brackets.

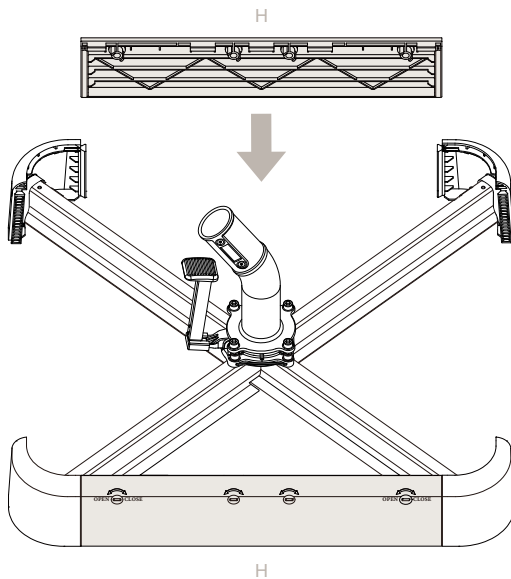
1.5



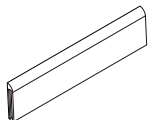
H (x2)



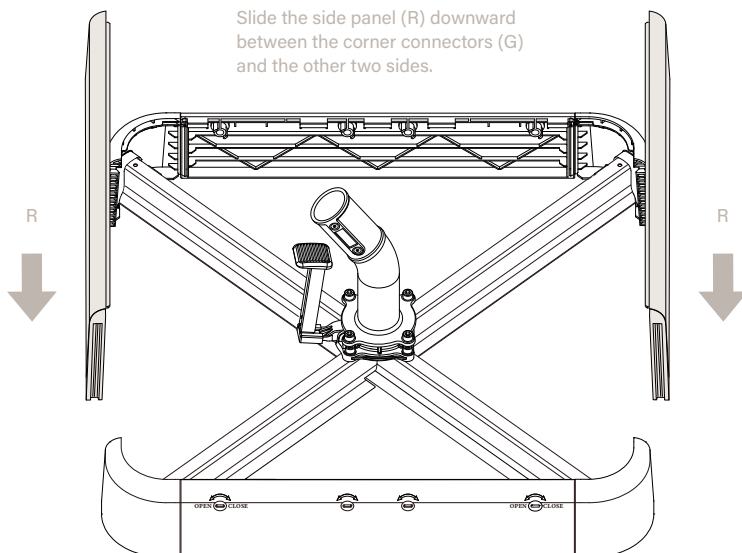
The H panel is the one with a 4-lock system. The 2 H lock penal must be positioned opposite to each other and parallel to the foot pedal direction.



1.6



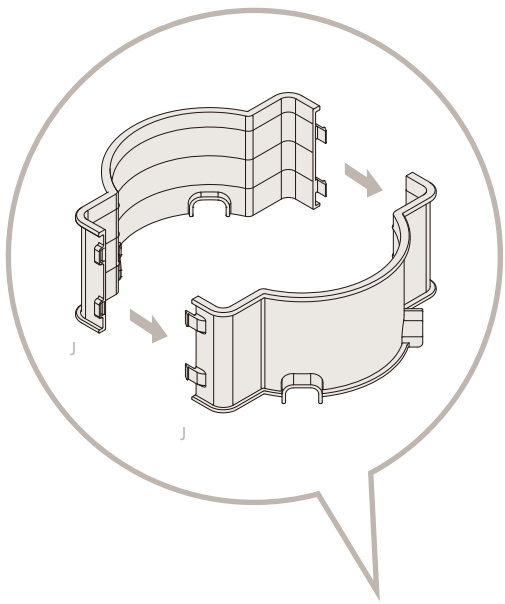
R (x2)



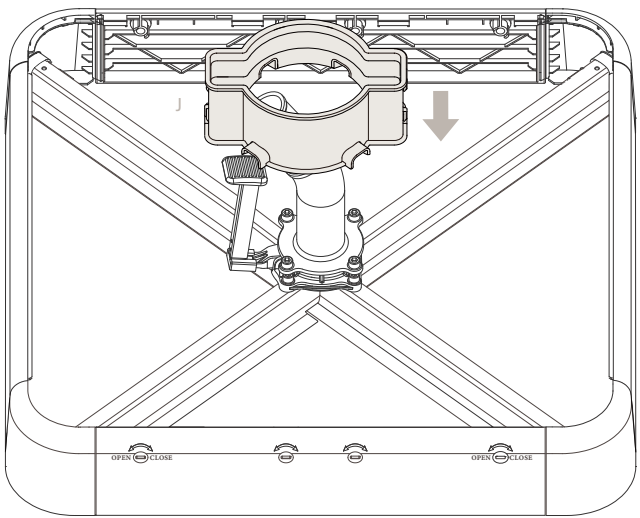
1.7



J (x2)



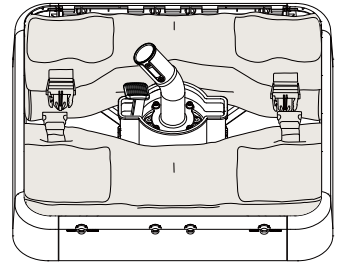
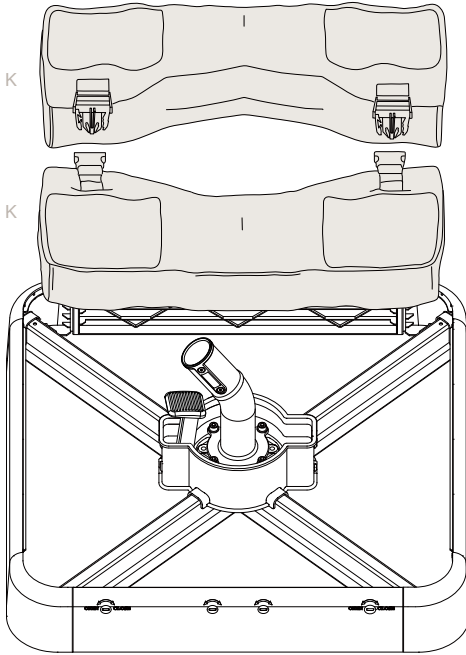
Slide the assembled support tube rim (J) down the base tube (C) and the connect it to the two brackets (A & B).



1.8

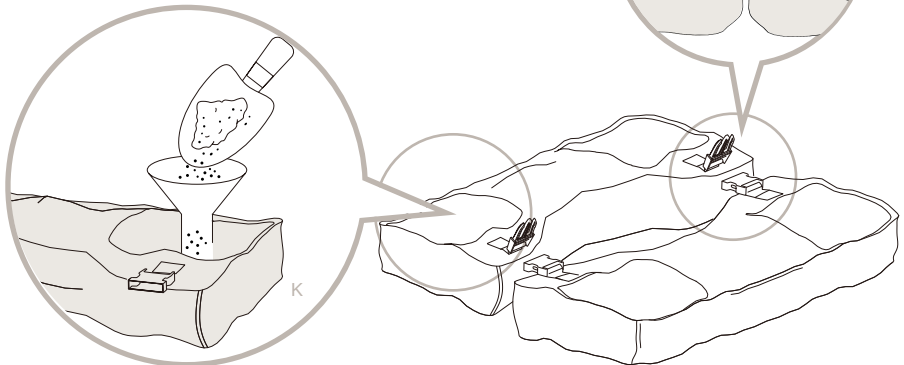


K (x2)

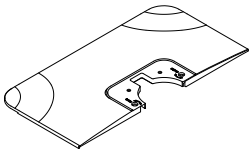


1. Place the sandbag (K) into the umbrella base as the picture shows first.

2. Fill the hook and loop sandbag (K) with at least 220lbs of sand by opening the pouch and adding the sand.



1.9

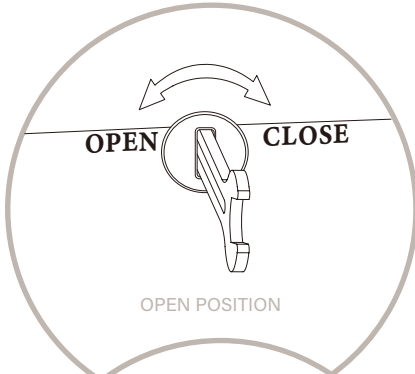


L (x2)

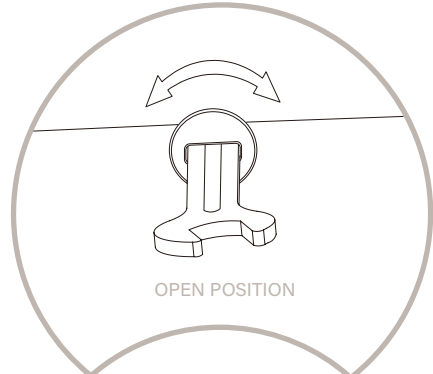


S13 JJ

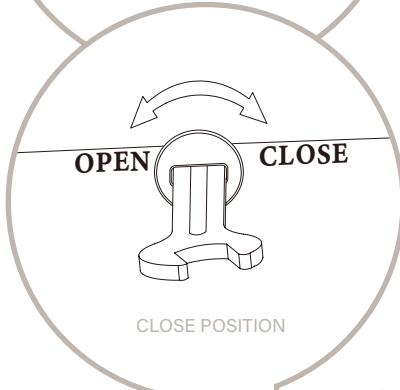
1. Please confirm that the locking mechanism on the lower base cover (L) is in the OPEN position by using wrench JJ.
2. Similarly, by using wrench JJ, please ensure that the locking mechanism on the lock panel (H) is also in the OPEN position.
3. Attach the lower base cover (L) to the side panels (R).
4. Close the lower base cover (L) and ensure that it is fully closed.



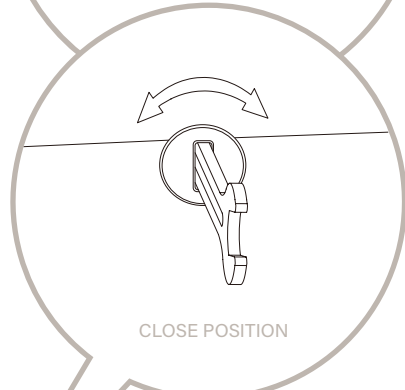
OPEN POSITION



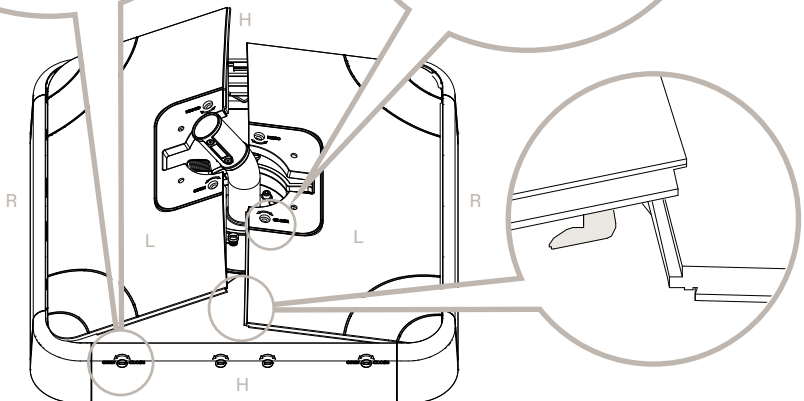
OPEN POSITION



CLOSE POSITION



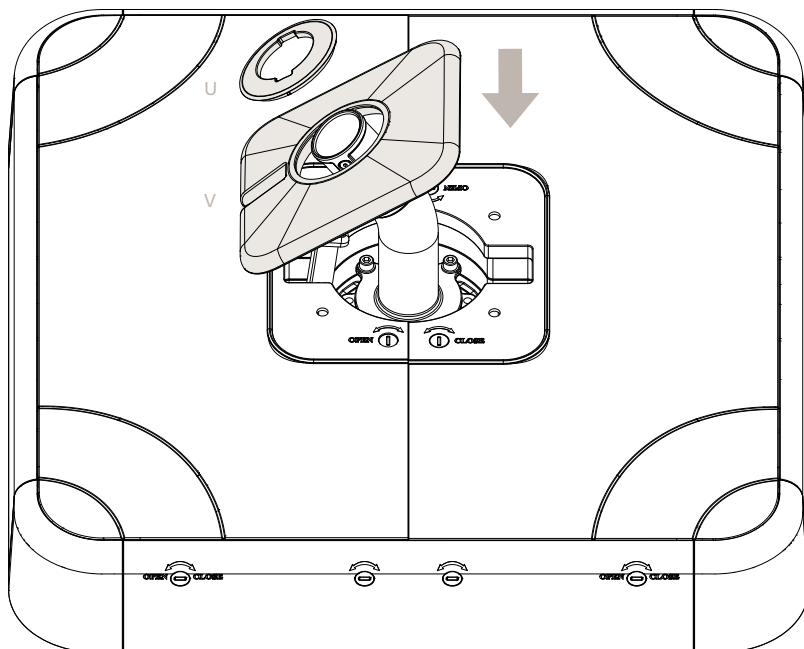
CLOSE POSITION



1.10

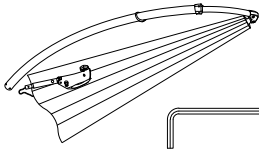


Depress the pedal to a rearward inclination, subsequently affix the upper base cover (V) onto the footplate support arm (T), and then proceed to install the base hole cover (U) onto the upper base cover.



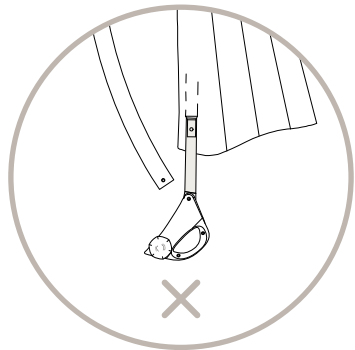
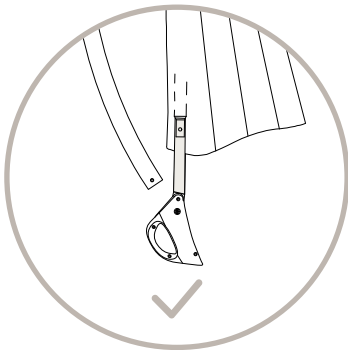
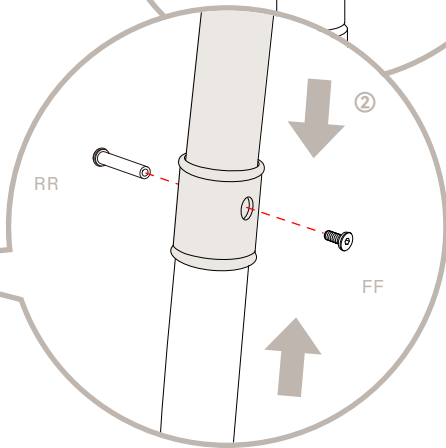
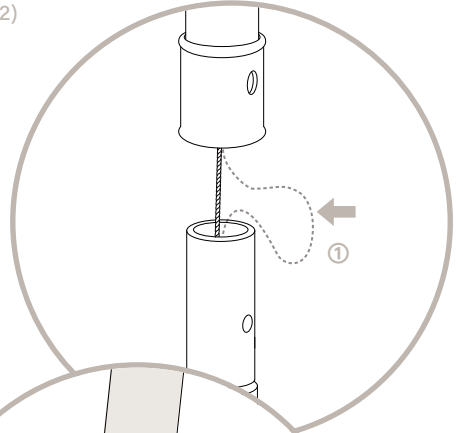
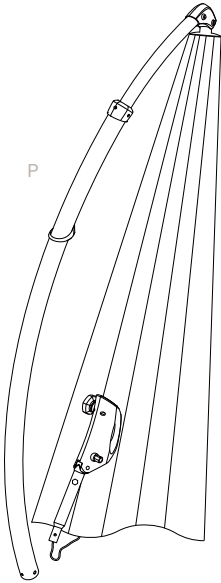
Umbrella Frame Installation

2.1

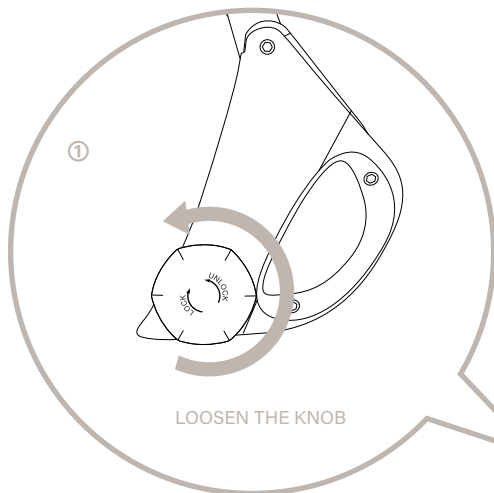


P  $\varnothing 8.8 \times M6 \times 40\text{mm}$ RR  M6 X 15mm FF

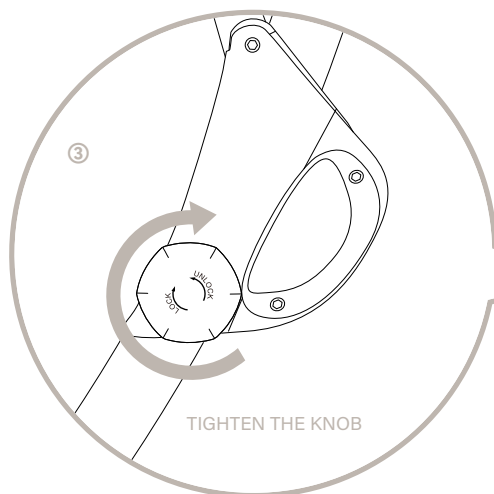
S4 NN (x2)



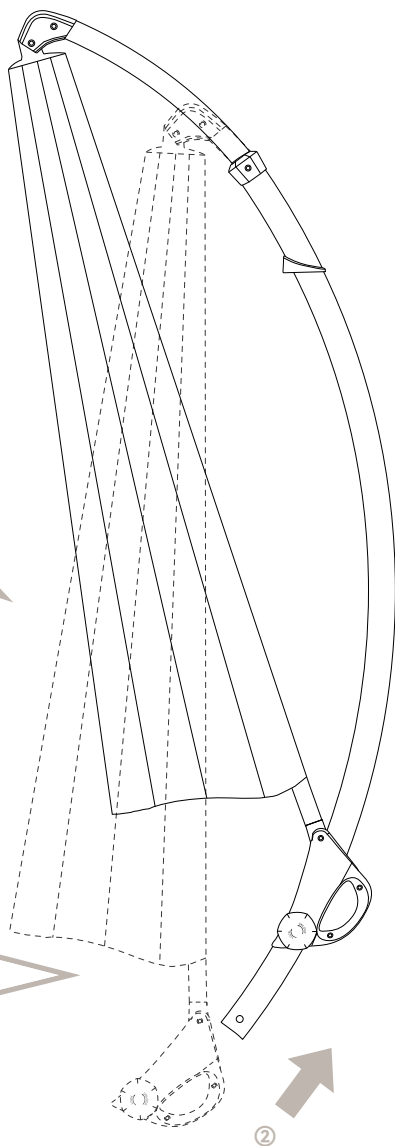
2.2



LOOSEN THE KNOB


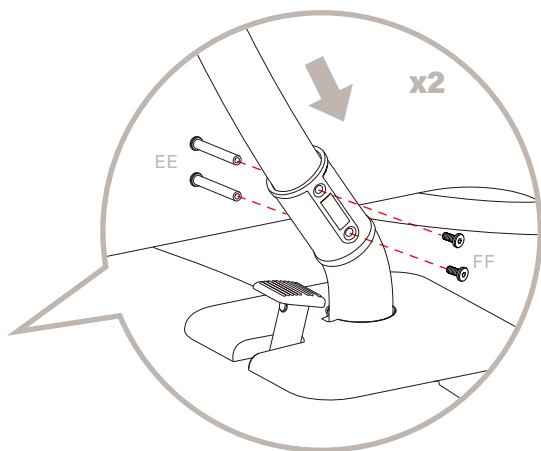
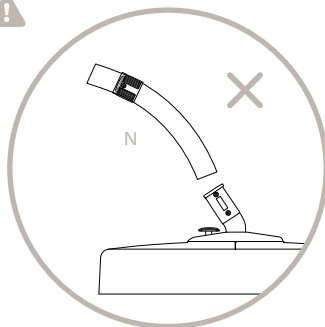
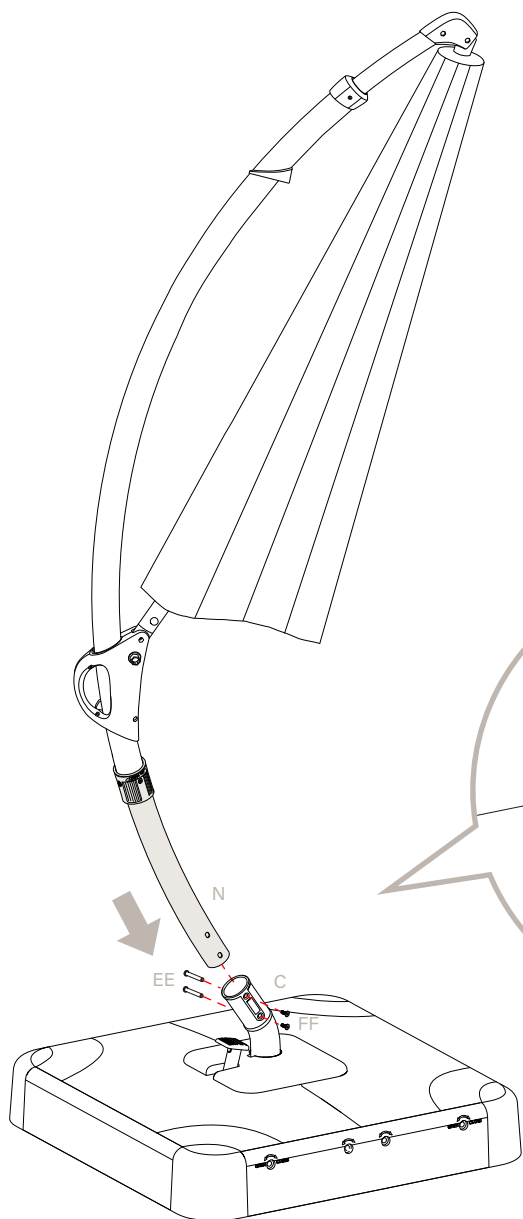


TIGHTEN THE KNOB



Insert main tube into
the umbrella handle (P).

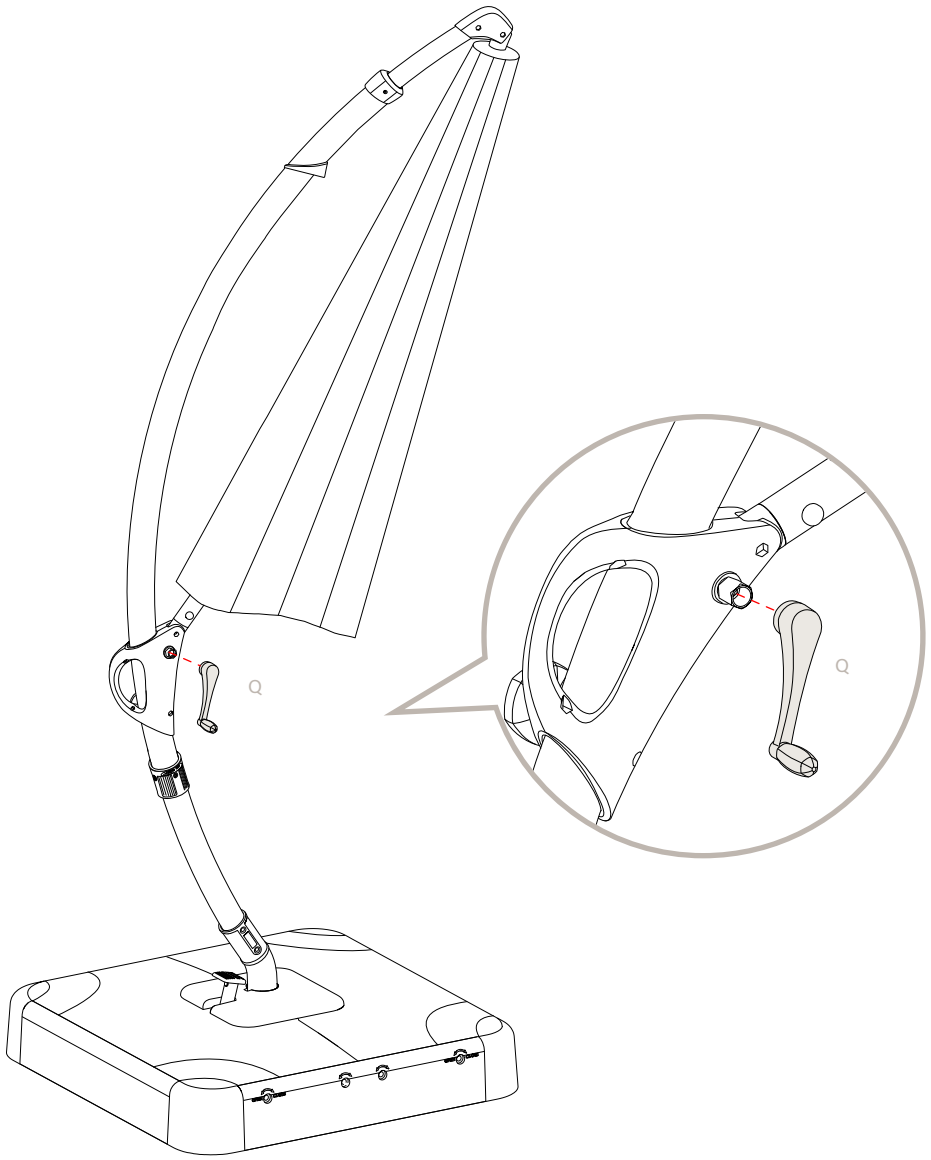
2.4

 Ø 8.8 X M6 X 66mm EE (x2) M6 X 15mm FF (x2) S4 NN (x2)

2.5



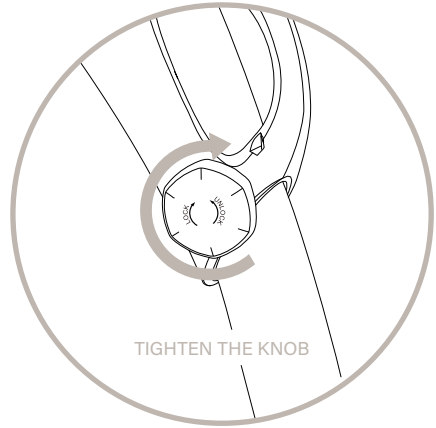
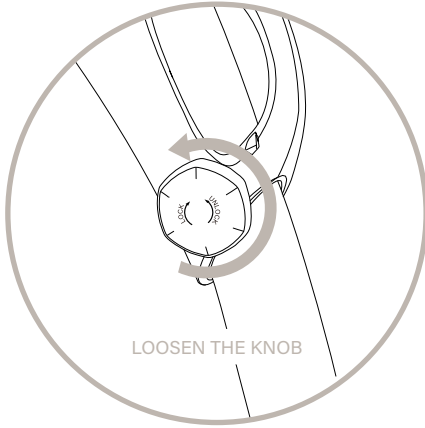
Q



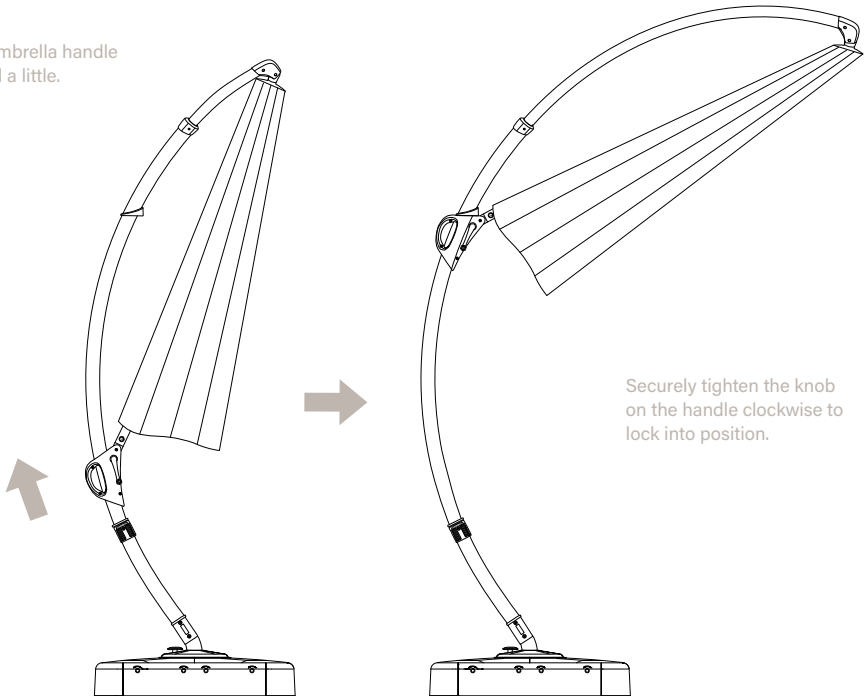
Umbrella Use & Storage

3.1

Loosen the knob on the handle by turning it counter clockwise.

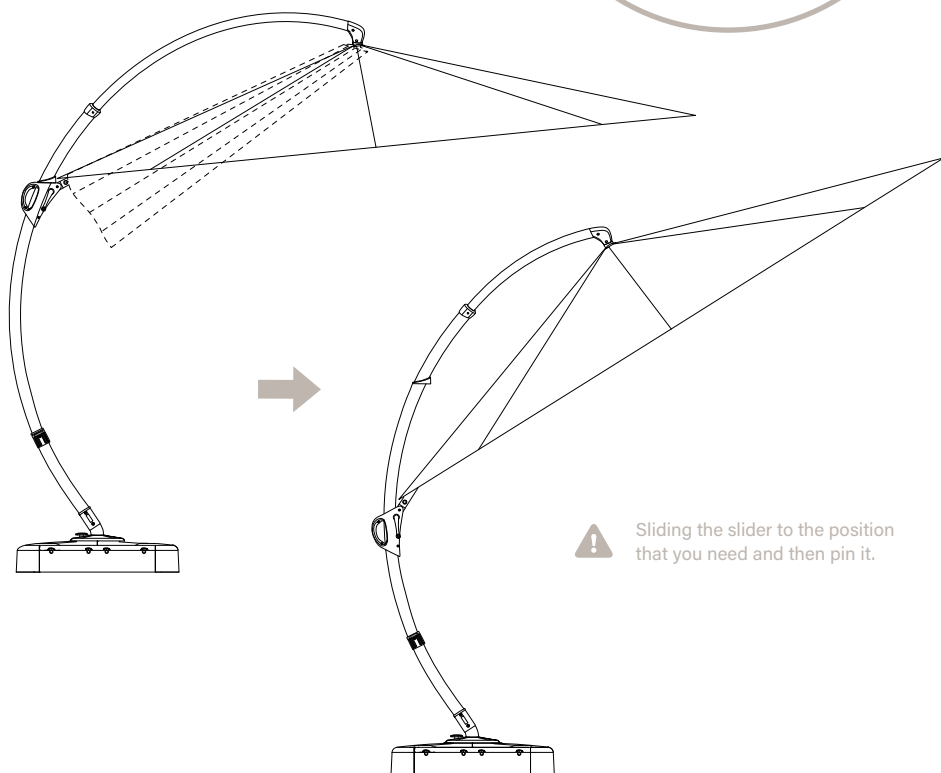
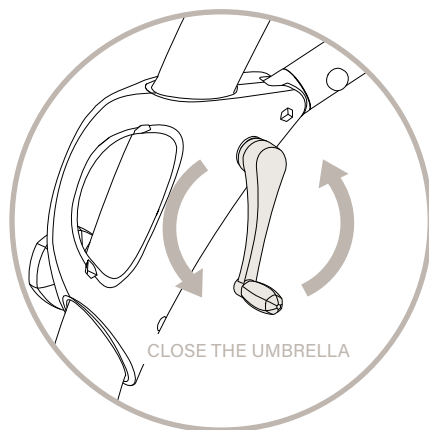
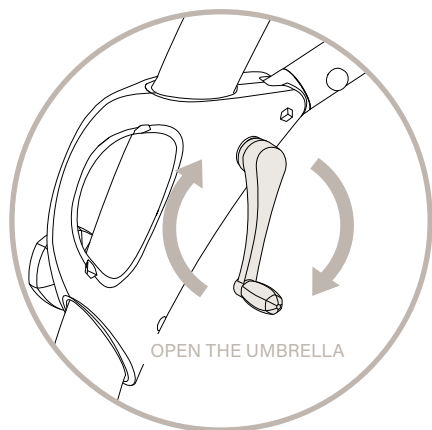


Slide umbrella handle upward a little.



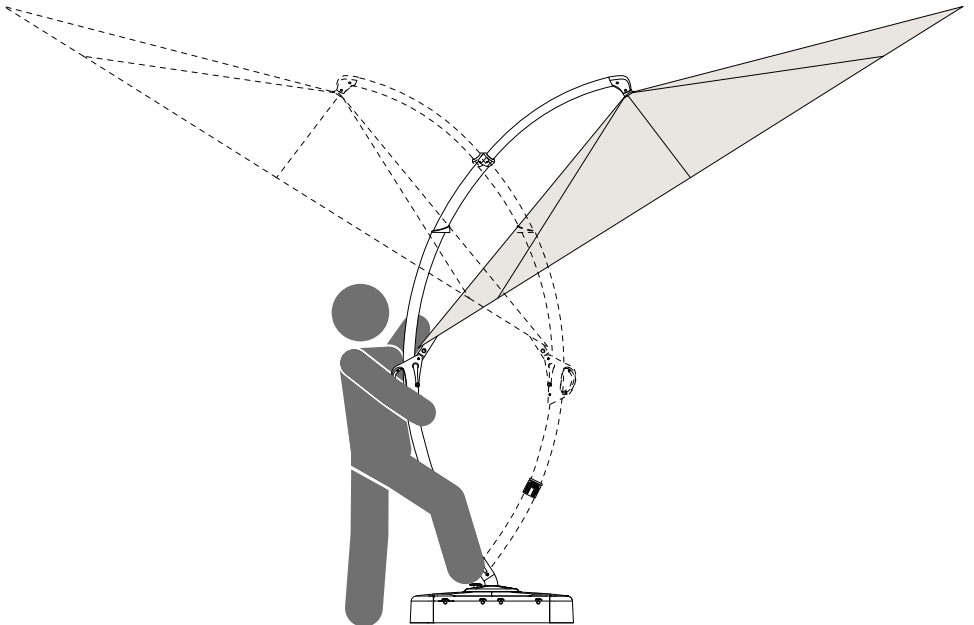
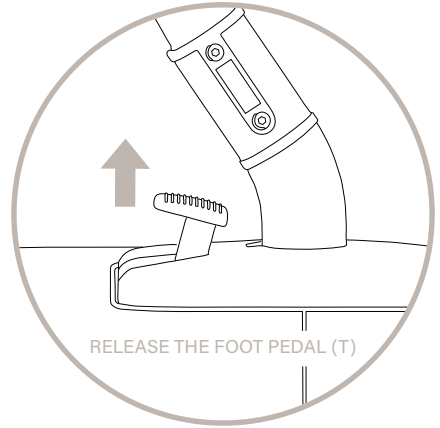
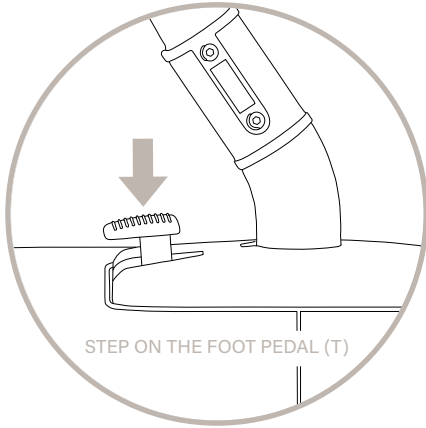
3.2

1. Slowly turn the crank (Q) clock-wise to open the umbrella, loosen the knob on the handle by turning it counter clockwise.
2. Slide umbrella handle upward until the pole is fully extended and stops.
3. Securely tighten the knob on the handle clockwise to lock into position.



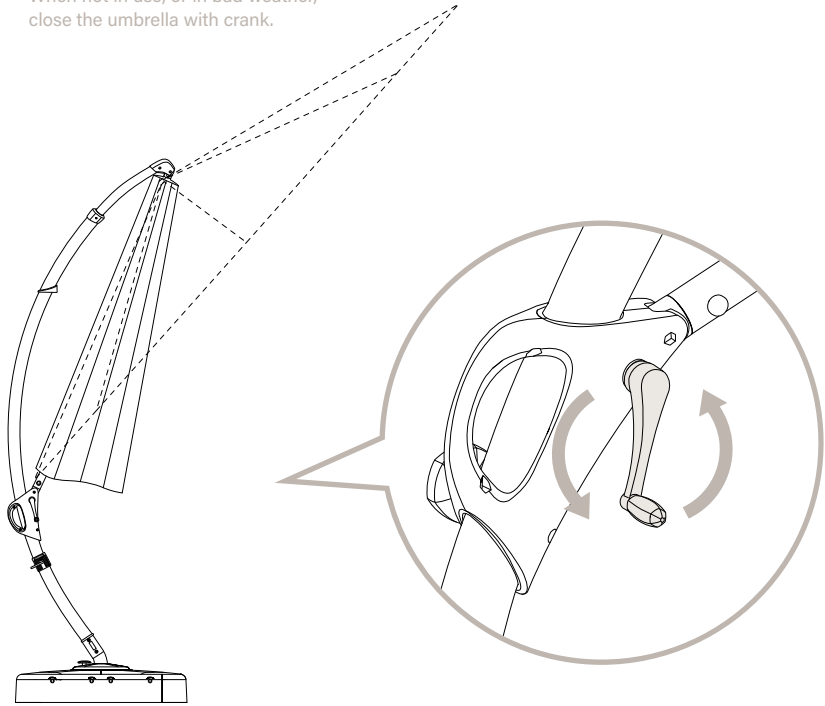
3.3

Step on the foot pedal (T) to allow 360° rotation of umbrella.
Release the foot pedal (T) when the desired position is reached.

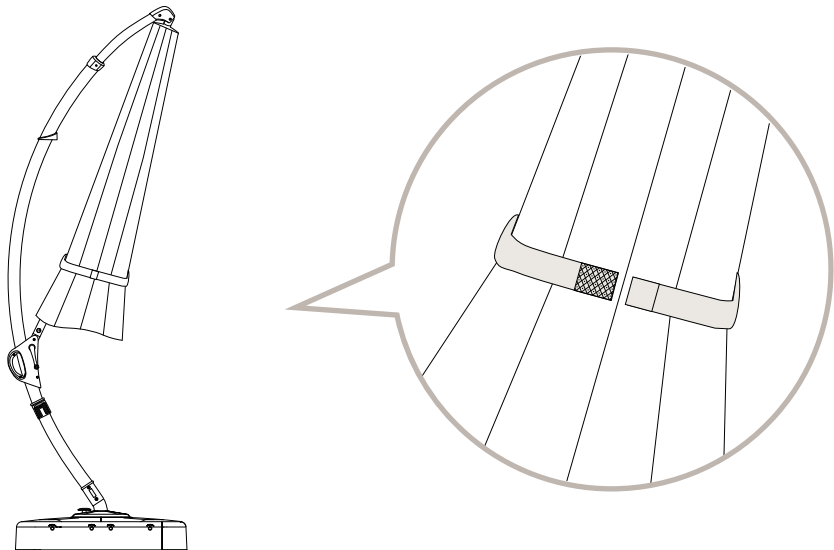


3.4

When not in use, or in bad weather, close the umbrella with crank.

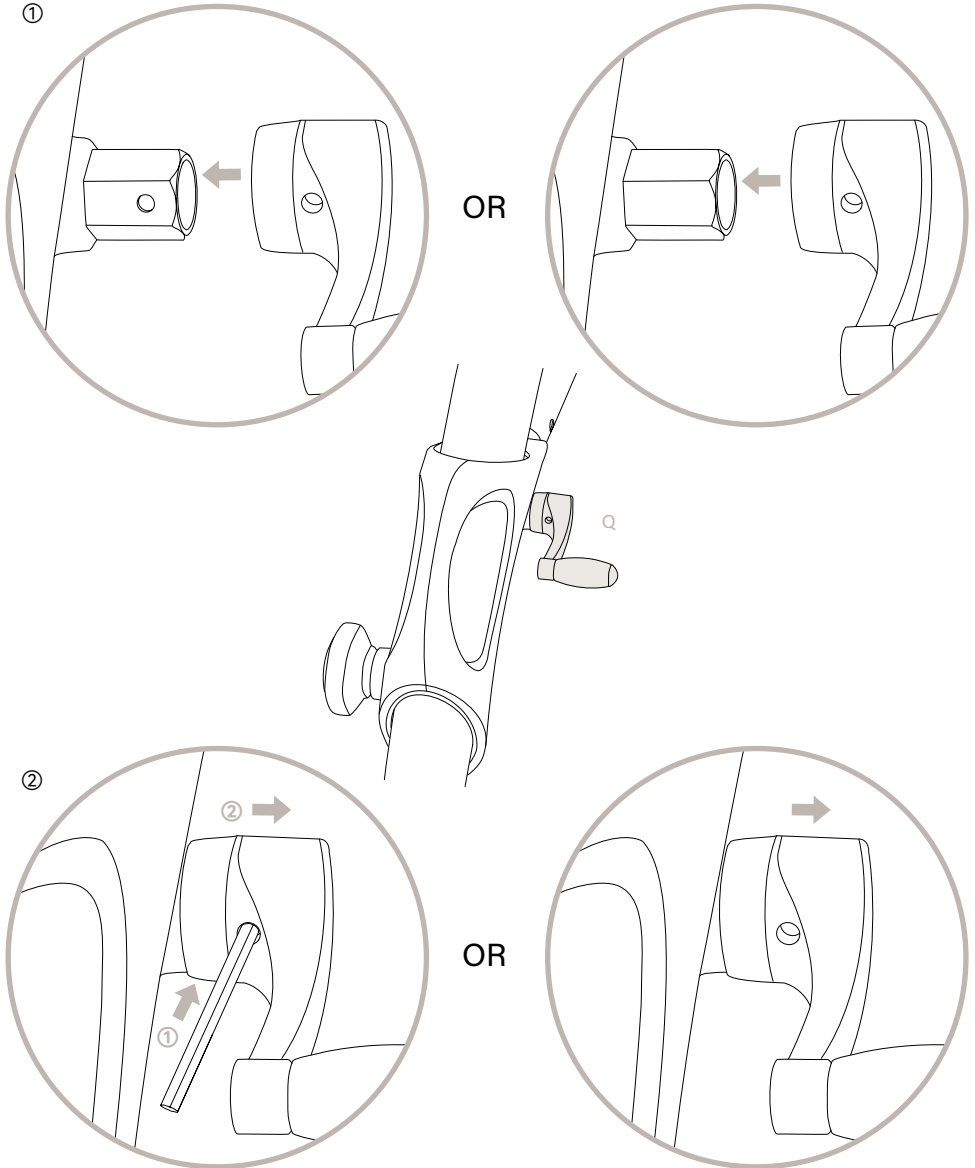
**3.5**

Attach the umbrella shade with the pole using the fabric tie.



Attaching and Detaching the Crank

1. The part Q crank handle can be installed in two ways as shown in Figure 1.
2. To remove the part Q crank handle:
if the handle is in the snap-on connected state, please use the hex wrench,
if not, please simply take it out.



CUSTOMER SERVICE LETTER



LAUSAINT HOME CARES ABOUT EVERY CUSTOMER'S SHOPPING EXPERIENCE.



BEFORE RETURNING THE ITEM TO OUR WAREHOUSE

please contact us via email and provide the following details:

Purchase platform and order ID.

Product name or SKU.

Traceability code on the installation manual

Close-up pictures clearly exhibiting product details (such as damaged packaging, faulty parts, damaged components, or missing parts).

Please CIRCLE them on the installation manual.

Note: We will reply to you within 24 working hours after receiving your email.



Shipping Questions:

If you order an item with multiple packages, the packages will be delivered separately. The total number of boxes is indicated on the packaging.

Before contacting us regarding missing parts, please check and ensure that you have received all the boxes. In general, all boxes will arrive within 3 business days.

Please feel free to contact us if there is any delay.