

# HAMPTON KITCHEN FAUCET SPECS

## Model # 4300



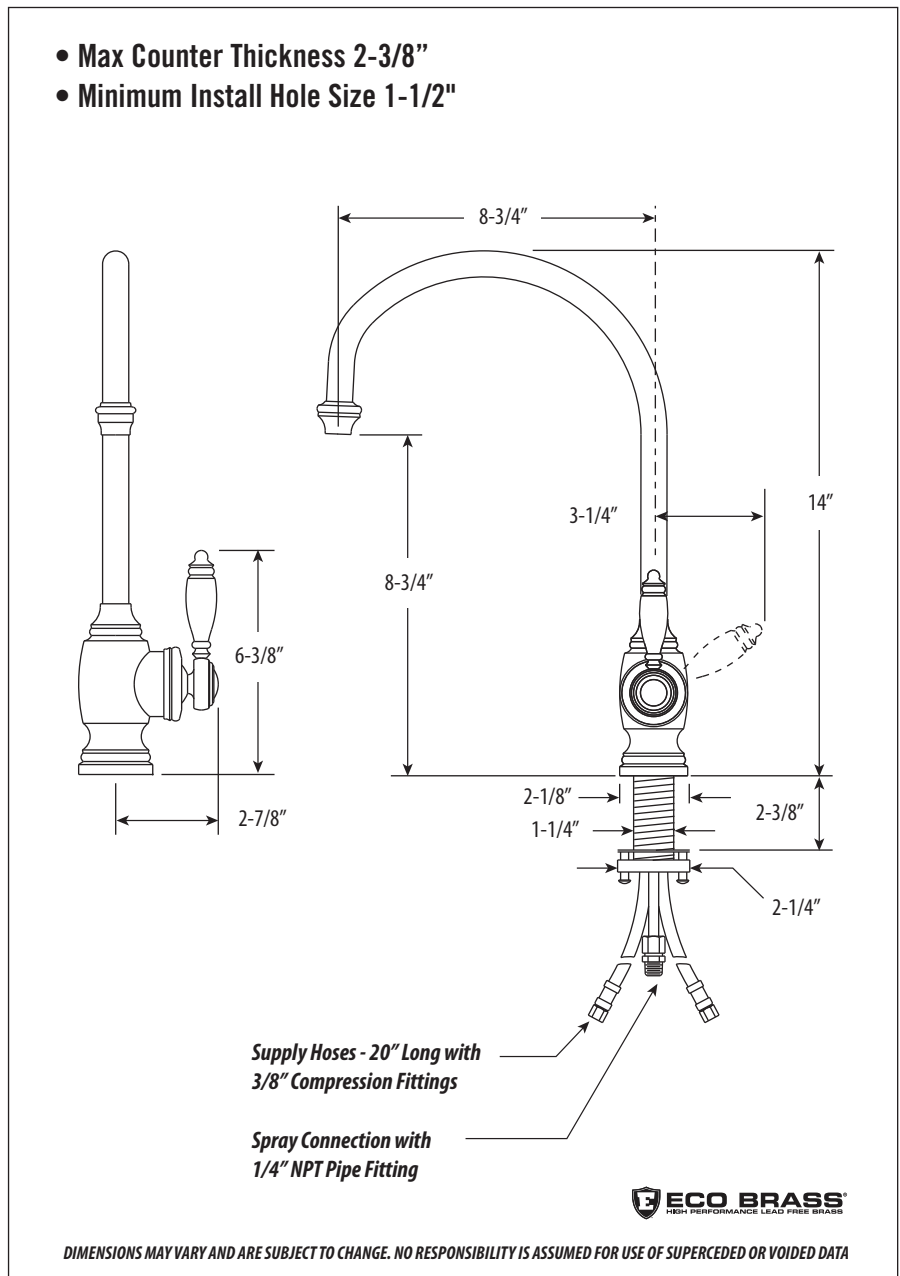
### PRODUCT DESCRIPTION

- Unique C-spout with **8-3/4"** reach.
- Part of the Hampton Traditional Suite.
- Spout swivels 360 degrees.
- Equipped with diverter for optional side spray.
- 1.75 gpm maximum flow rate with aerated tip.
- Aerated stream.
- Ergonomic single lever handle.
- Adjustable PTFE "Friction Lock" helps handle feel and prevents sag.
- Handle adjusts 22.5 degrees in either direction for backsplash clearance.
- Hot/Cold ceramic disk valve cartridge.
- Includes 3 handle button options.
- Solid brass construction.
- Compatible with Reverse Osmosis filtration systems.
- Reinforced braided connection hoses.
- Lifetime Functional Warranty.
- Made in America.

### CODES/STANDARDS APPLICABLE

Specified model meets or exceeds the following:

- ASME A112.18.1
- CSA B125.1
- NSF 61, 372
- CALGreen



### AVAILABLE IN 30 FINISHES + SOLID STAINLESS STEEL

Antique Brass - AB  
 Antique Bronze - ABZ  
 Antique Copper - AC  
 American Bronze - AMB  
 Antique Pewter - AP  
 Gloss Black - GB  
 Black Nickel - BLN  
 Black-Oil Rubbed Bronze - ORB  
 Caribbean Bronze - CB  
 Chocolate Bronze - CHB  
 Chrome - CH

Classic Bronze - CLZ  
 Distressed Antique Brass - DAB  
 Distressed Antique Copper - DAC  
 Distressed American Bronze - DAMB  
 Distressed Antique Pewter - DAP  
 Matte Black - MB  
 Polished Brass - PB  
 Polished Copper - PC  
 Polished Gold - PG  
 Polished Nickel - PN  
 Satin Brass - SB

Satin Chrome - SC  
 Satin Gold - SG  
 Satin Nickel - SN  
 Stainless Steel - SS\*  
 Tuscan Brass - TB  
 Unlaquered Polished Brass - UPB  
 Venetian Bronze - VB  
 Weathered Brass - WB  
 Weathered Copper - WC