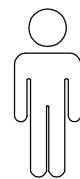
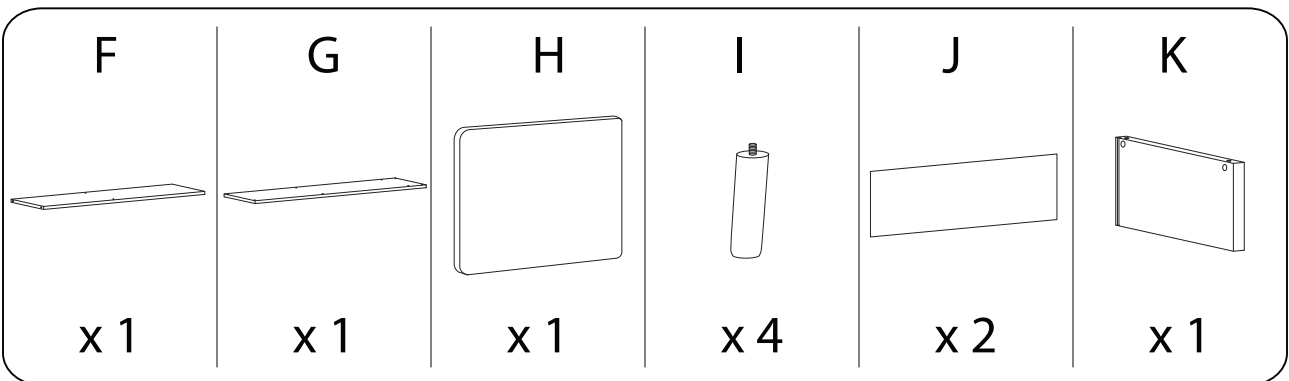
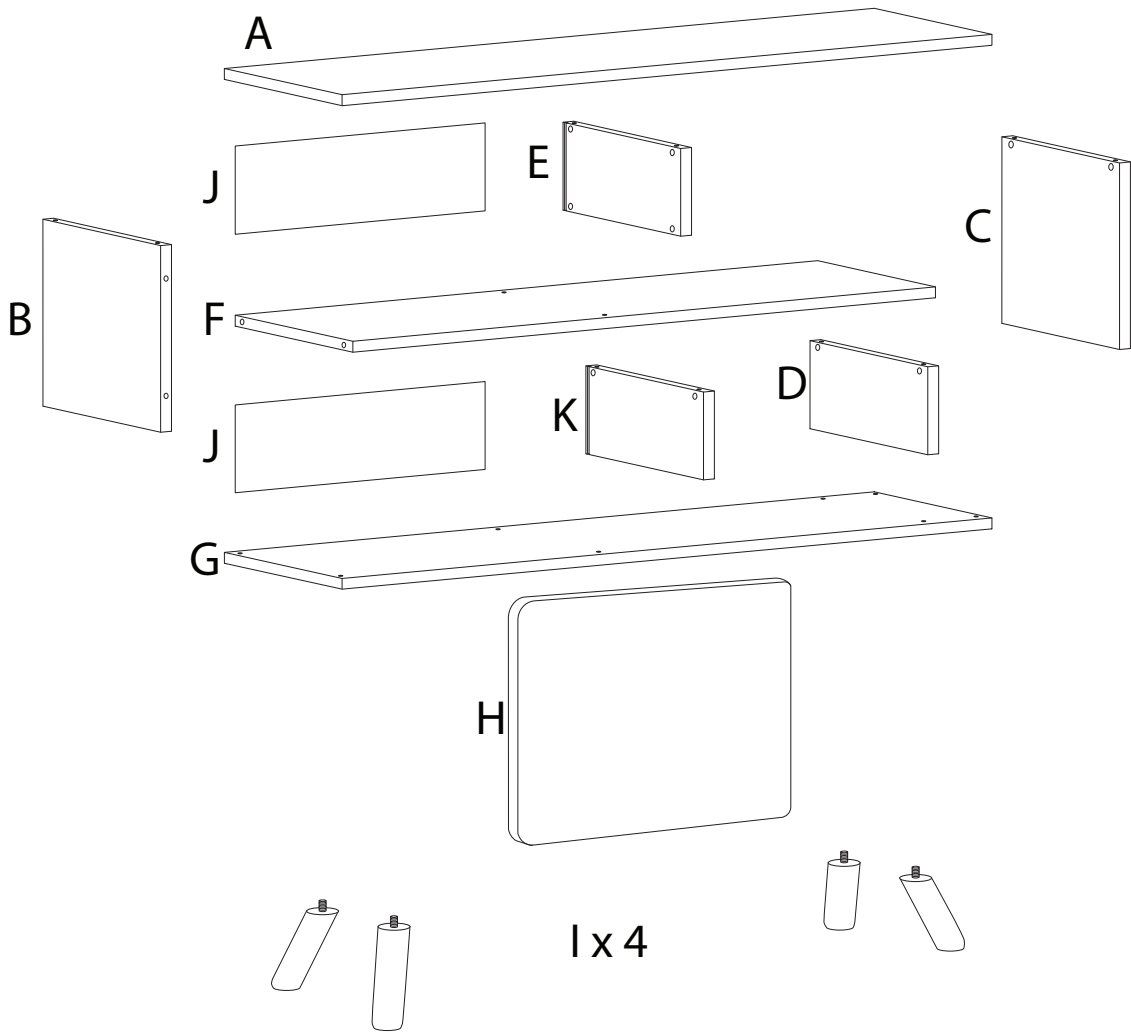
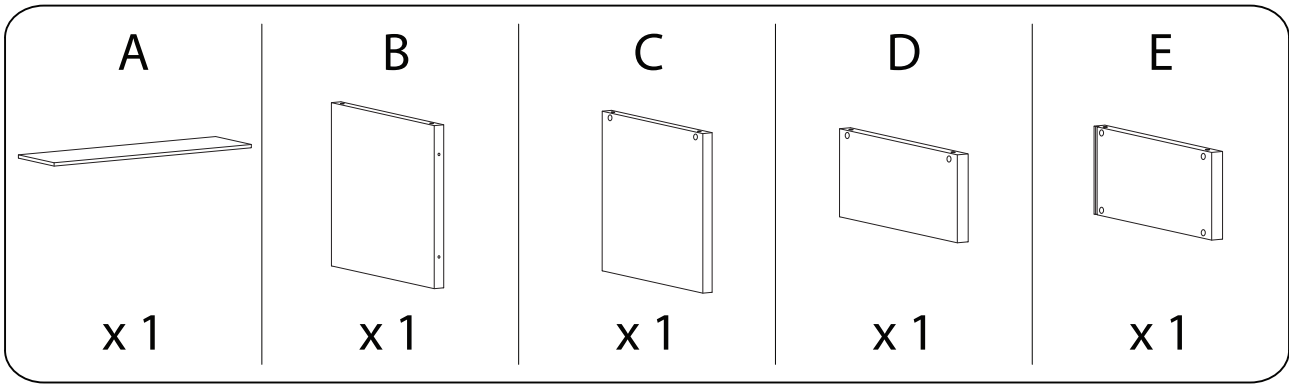


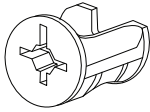
45'



1



L



x 14

M



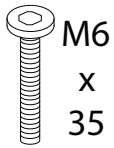
x 10

N



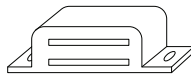
x 2

O



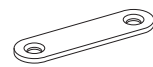
x 8

P



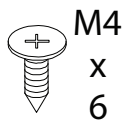
x 1

Q1



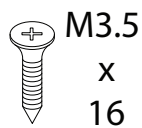
x 1

Q2



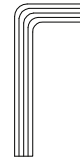
x 2

R



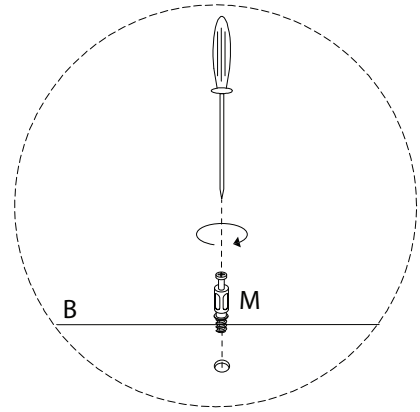
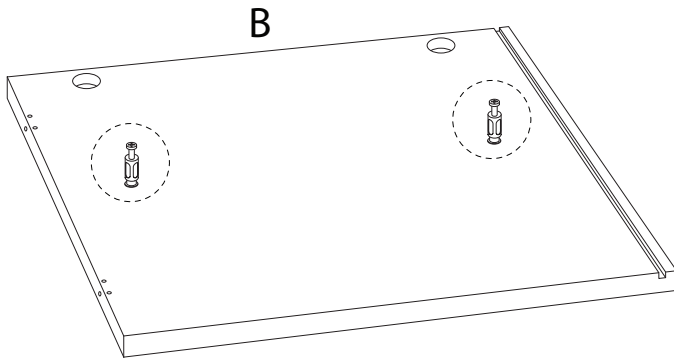
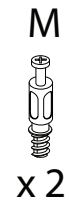
x 8

S

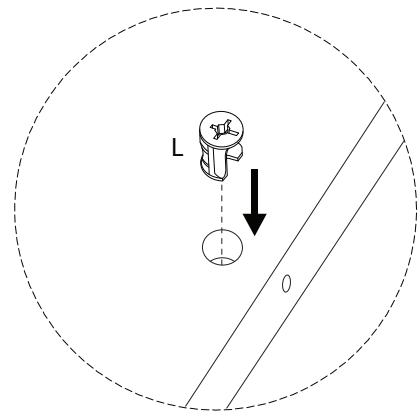
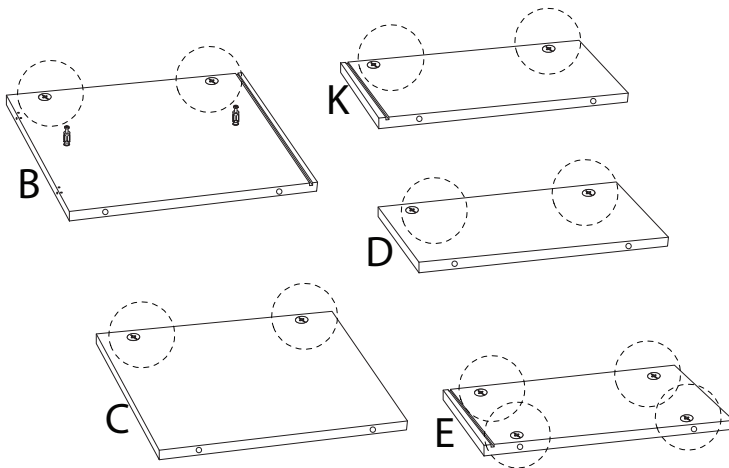
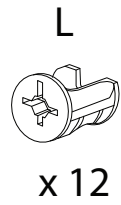
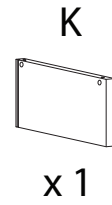
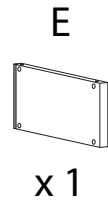
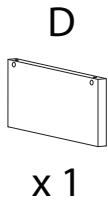
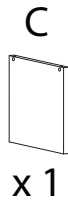


x 1

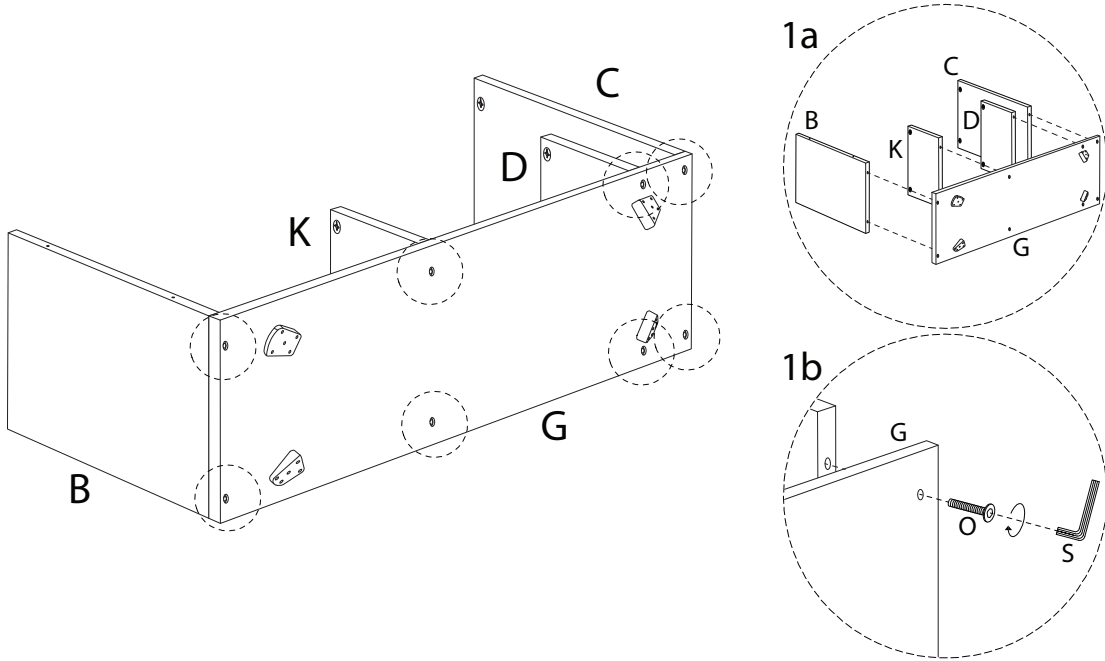
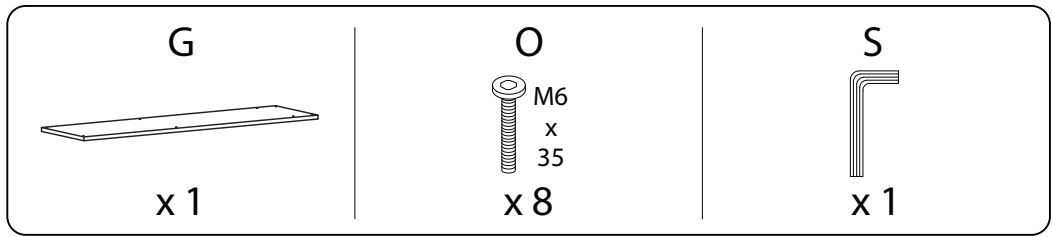
1



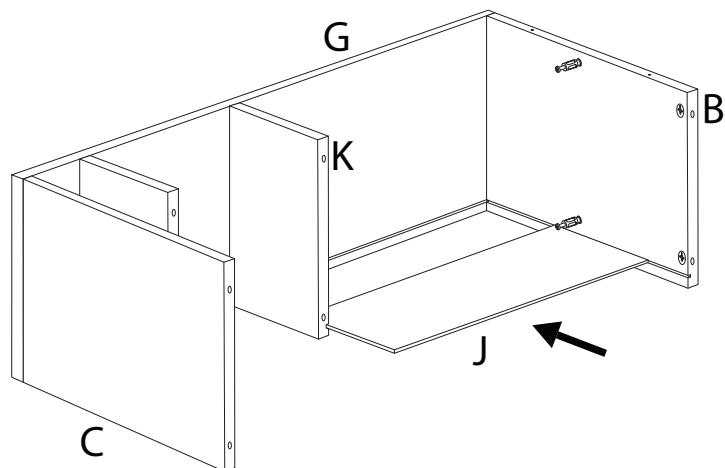
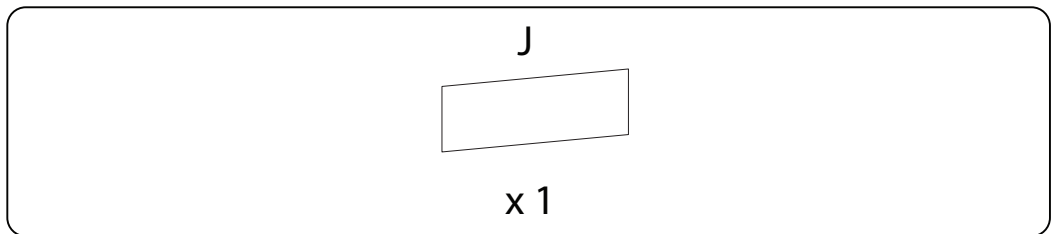
2



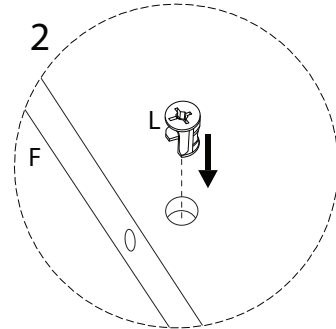
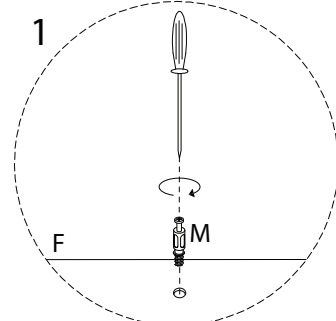
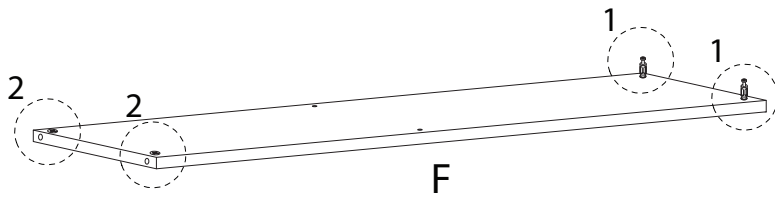
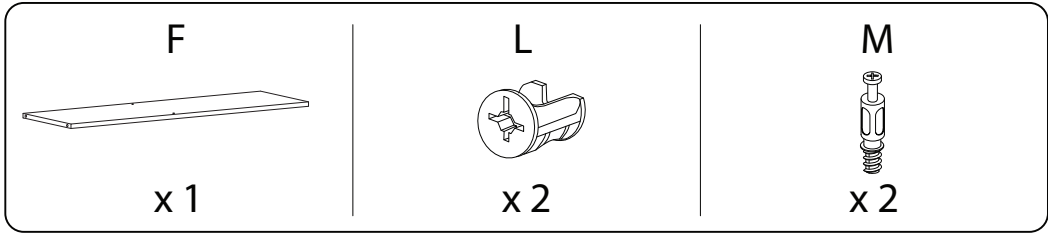
3



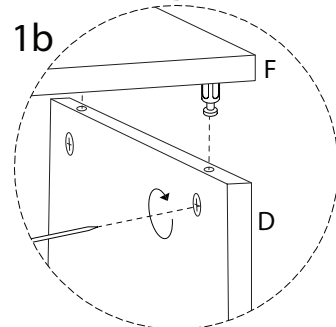
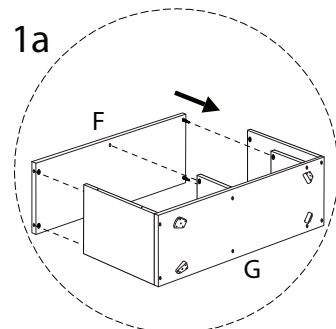
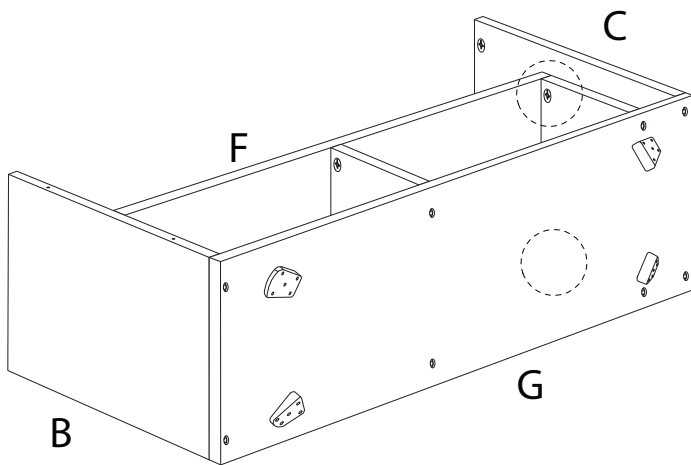
4



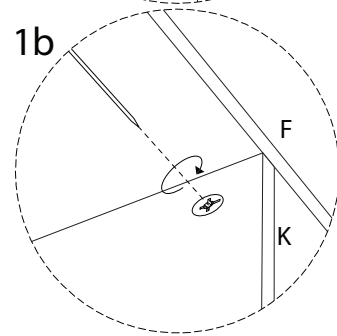
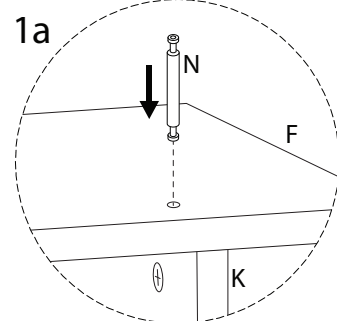
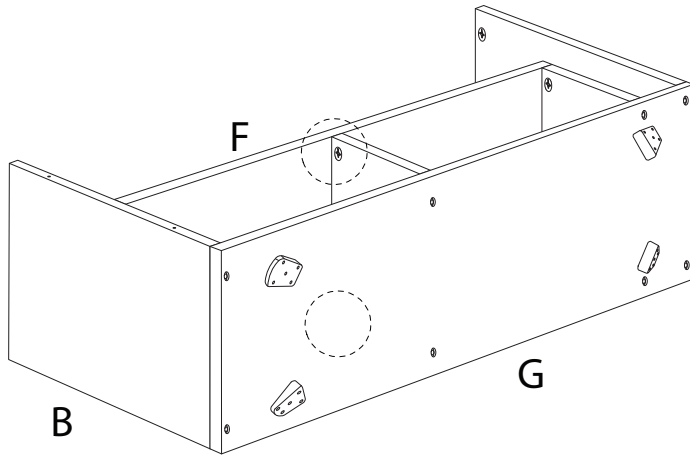
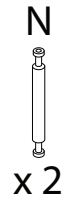
5



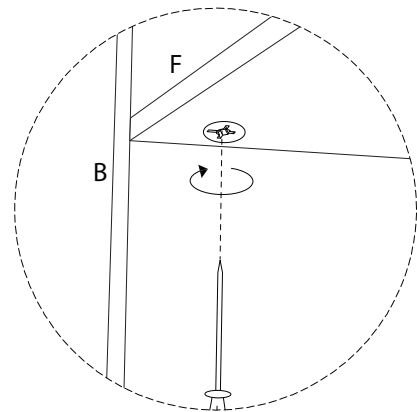
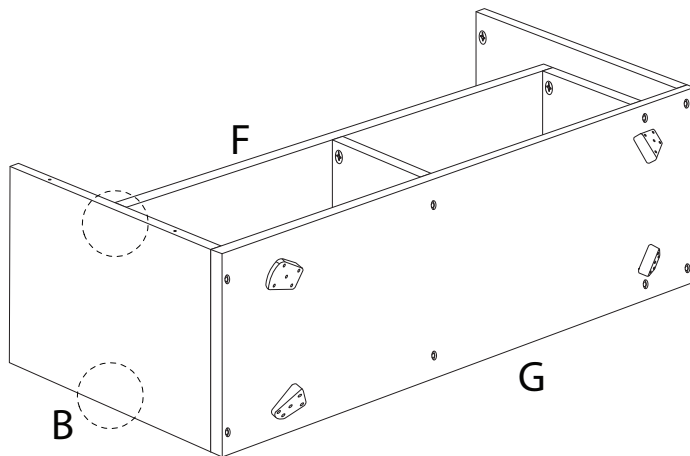
6



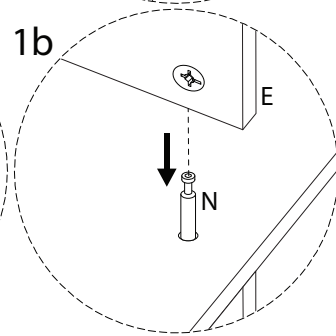
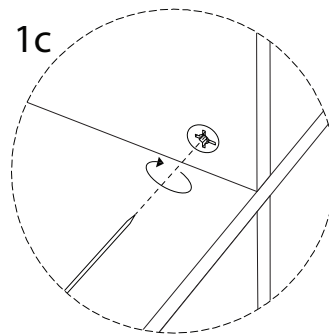
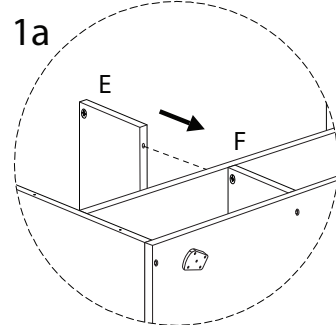
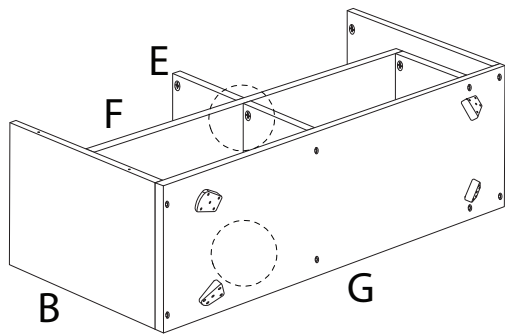
7



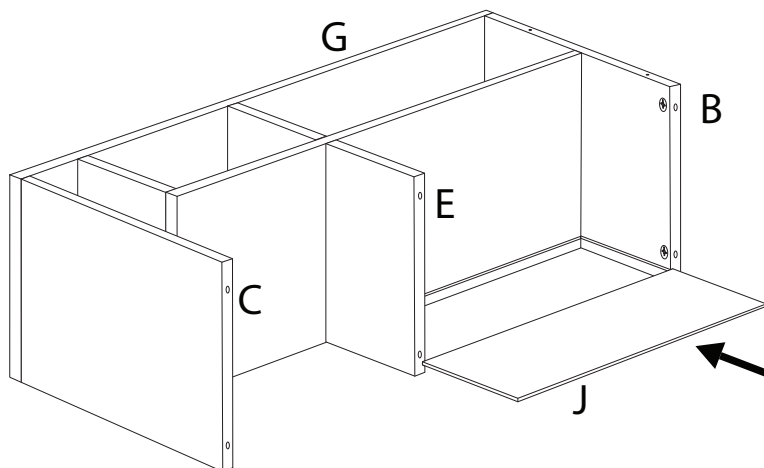
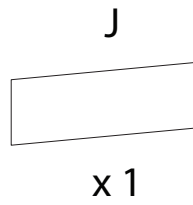
8



9



10



11

A

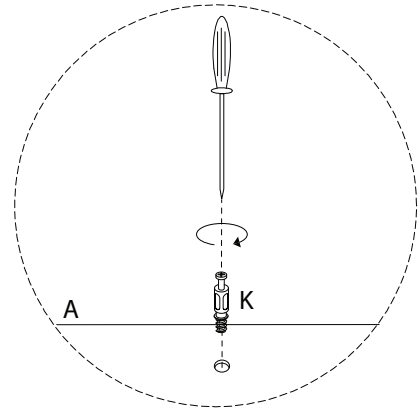
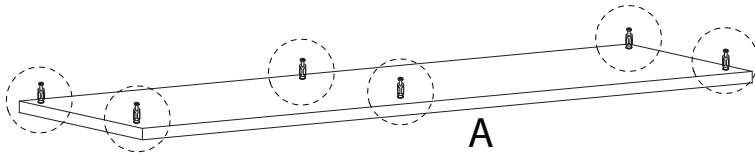


x 1

M

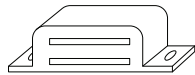


x 6



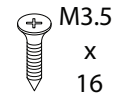
12

P



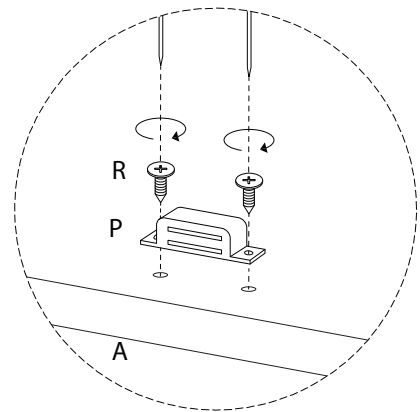
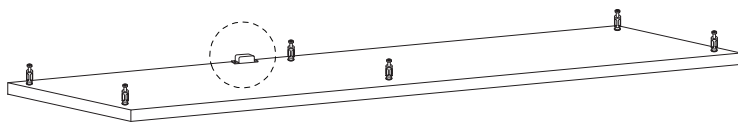
x 1

R

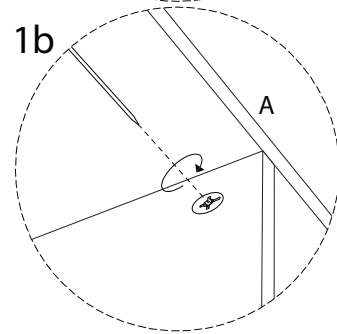
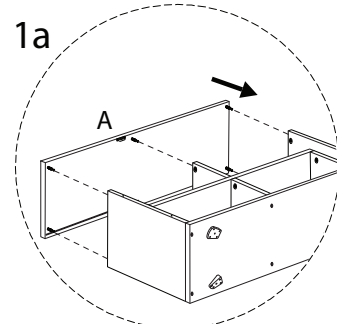
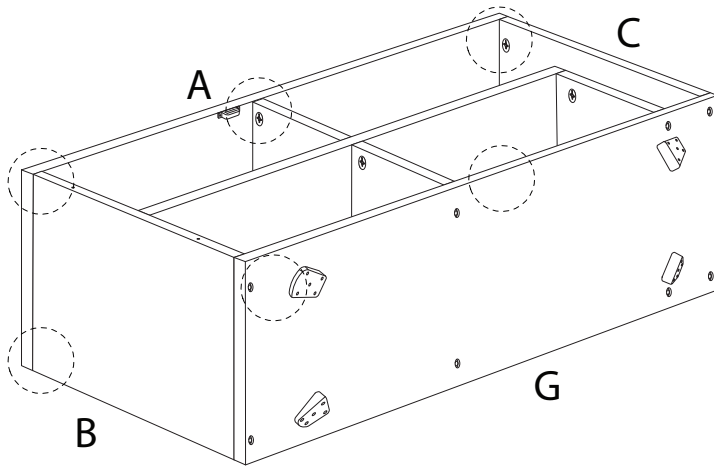


M3.5  
x  
16

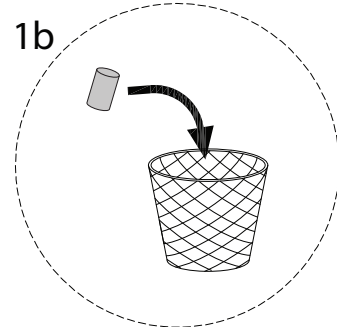
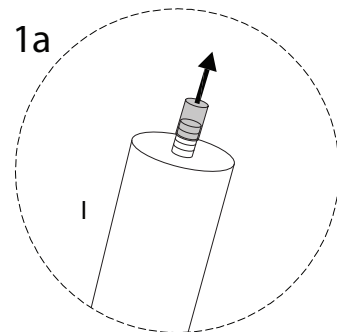
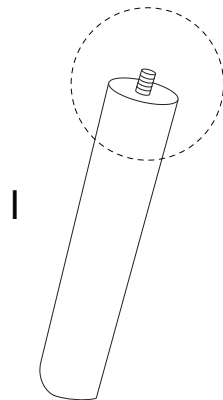
x 2



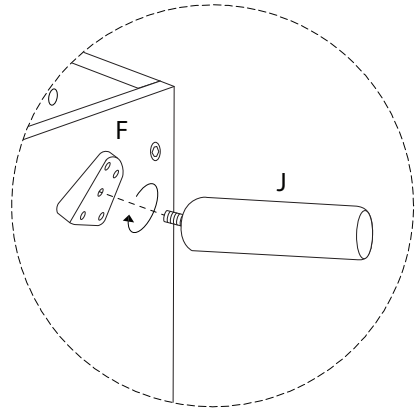
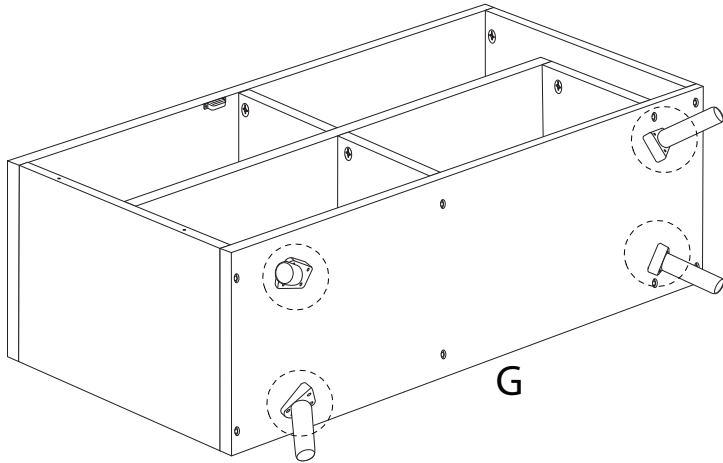
13



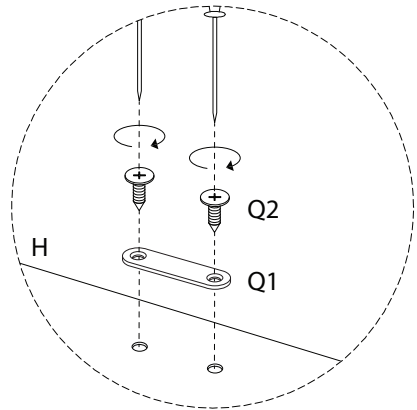
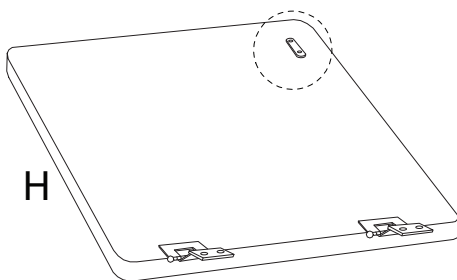
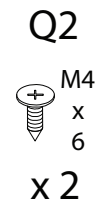
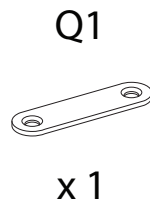
!



14

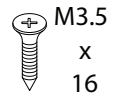


15



16

R



x 6

