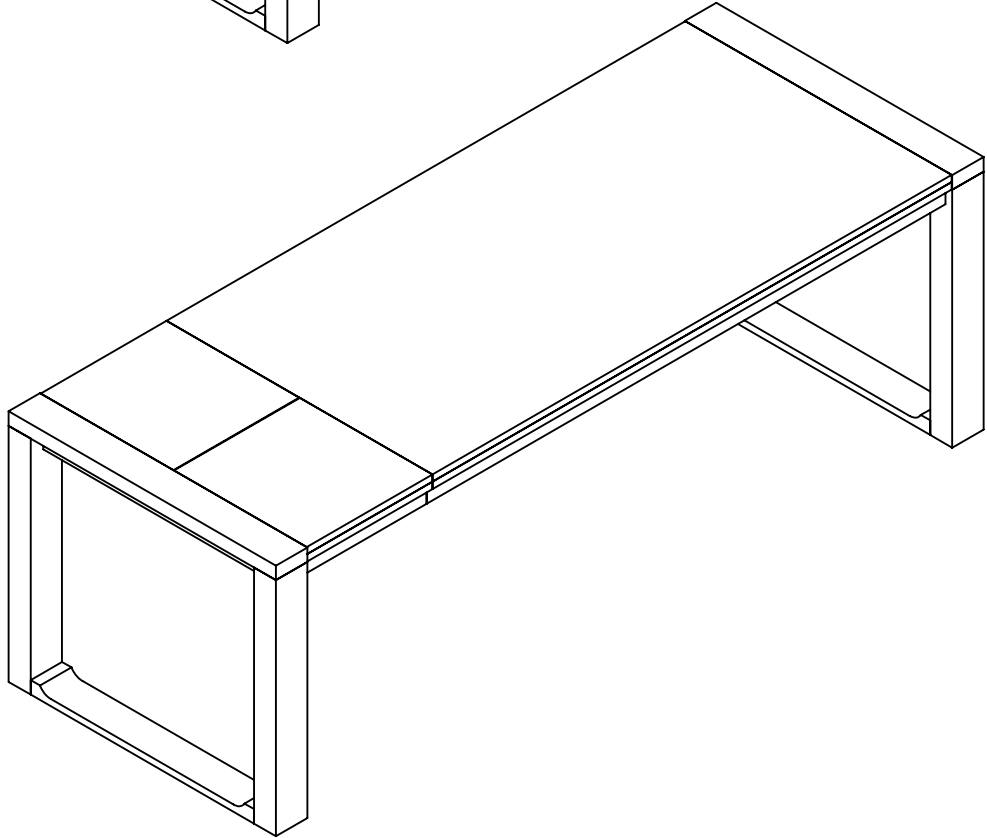
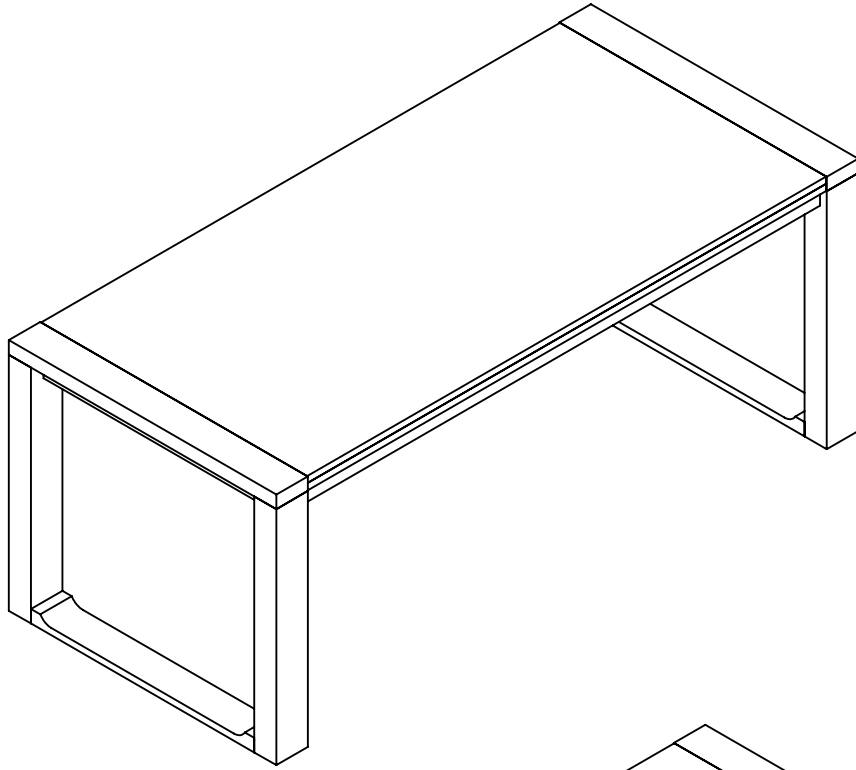




Boraam Industries
RASMUS EXTENSION DINING TABLE
ASSEMBLY INSTRUCTIONS





PLEASE READ ME FIRST



- Have questions about assembling your item?



- Item or parts damaged?



- Missing a part?



- We're here to help!



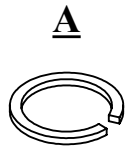
(847)949-6300 (M-F, 9am-5pm CST)



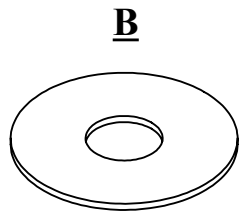
www.boraamindustries.com



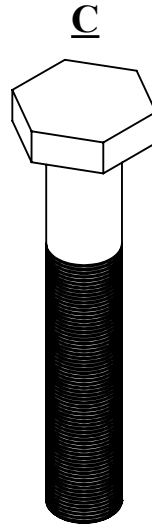
customerservice@boraamindustries.com



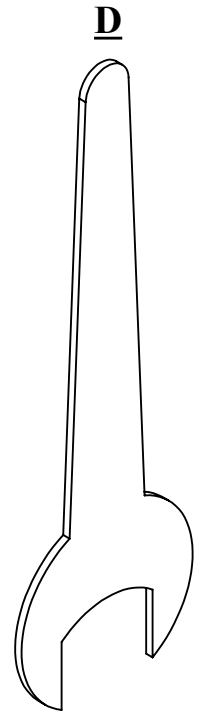
12PCS
M10*10



12PCS
M10*30

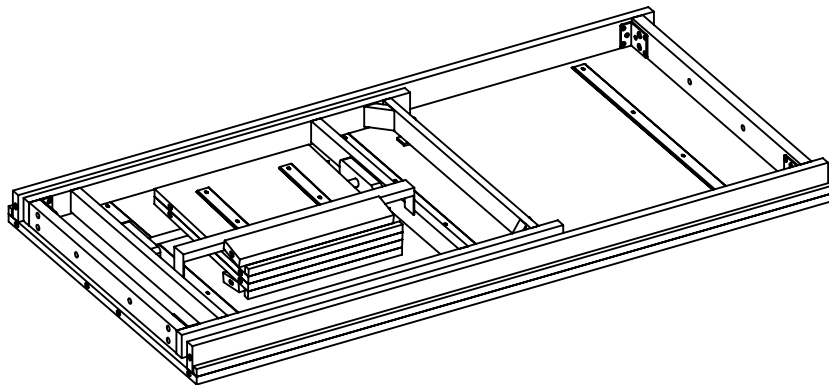


12PCS
M10*60

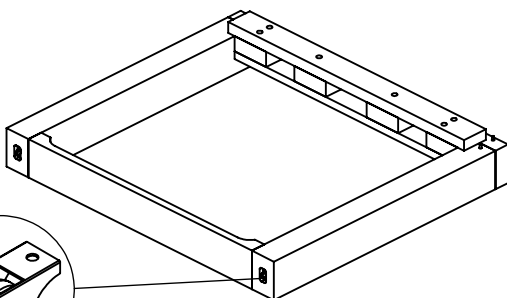


1PC
Allen Wrench
M17*100

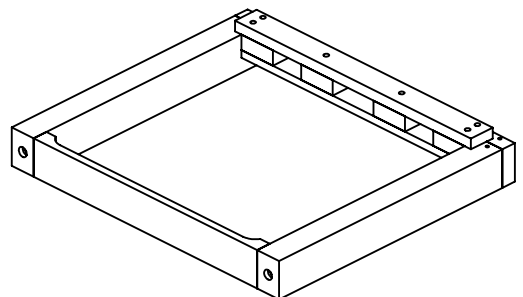
①



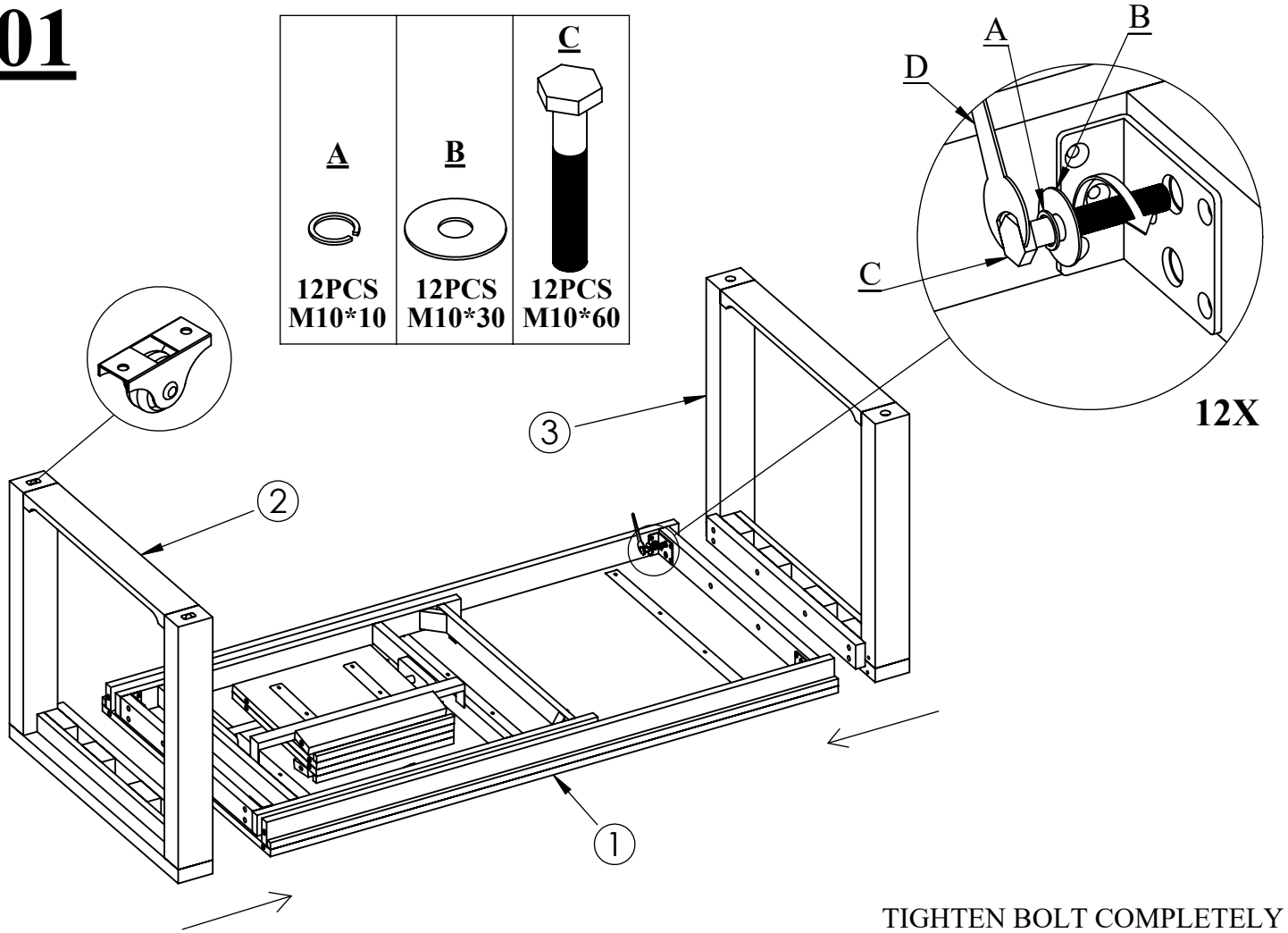
②



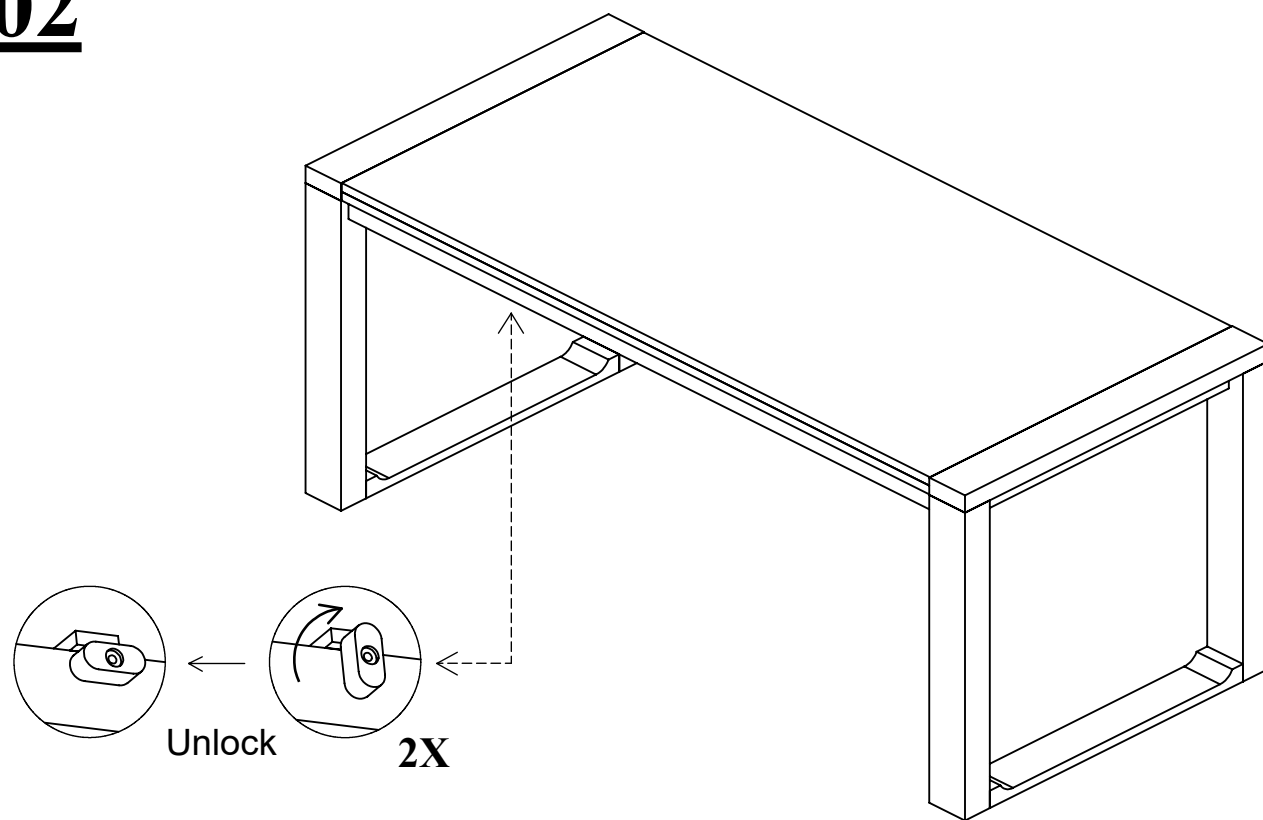
③



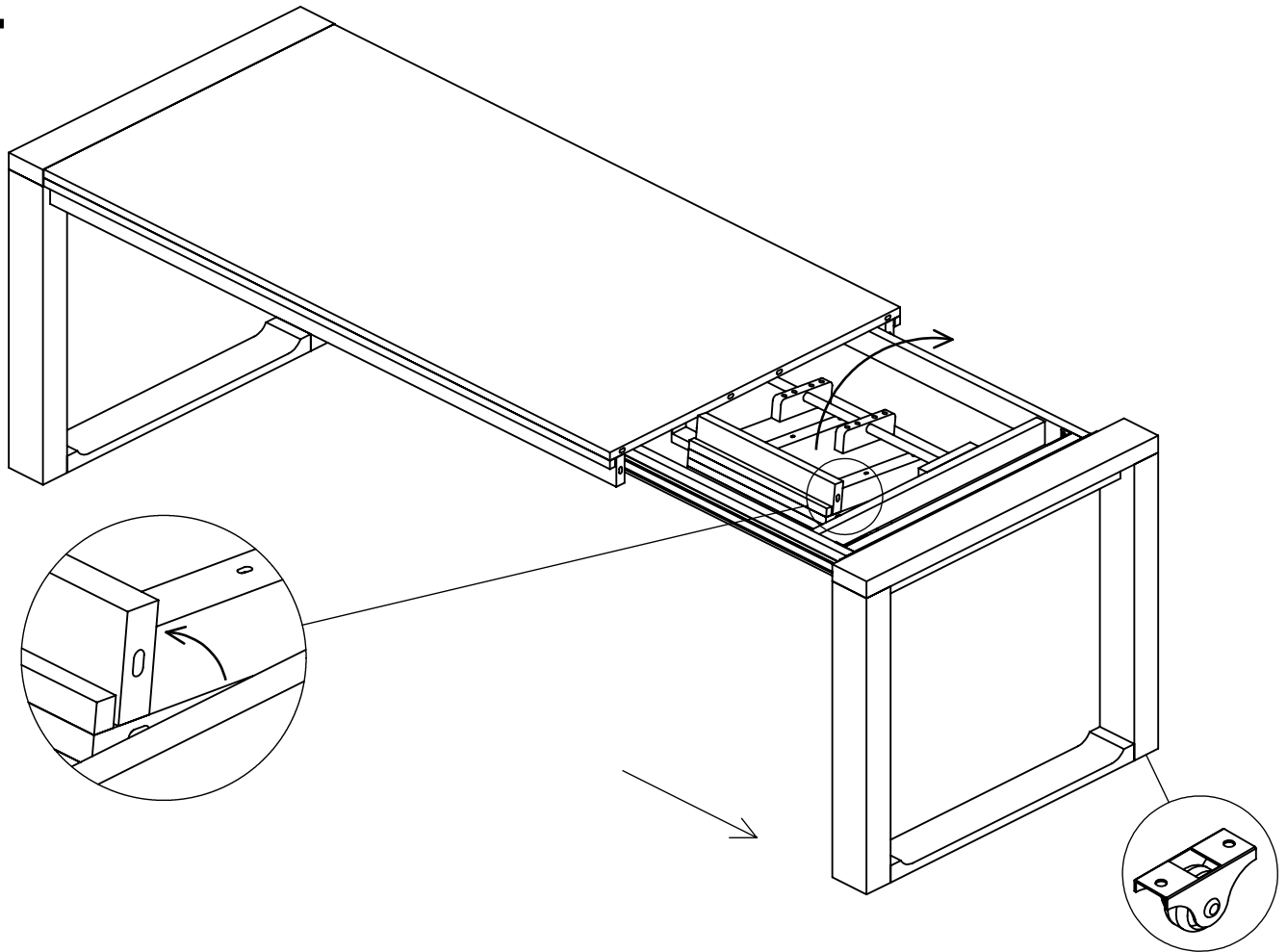
01



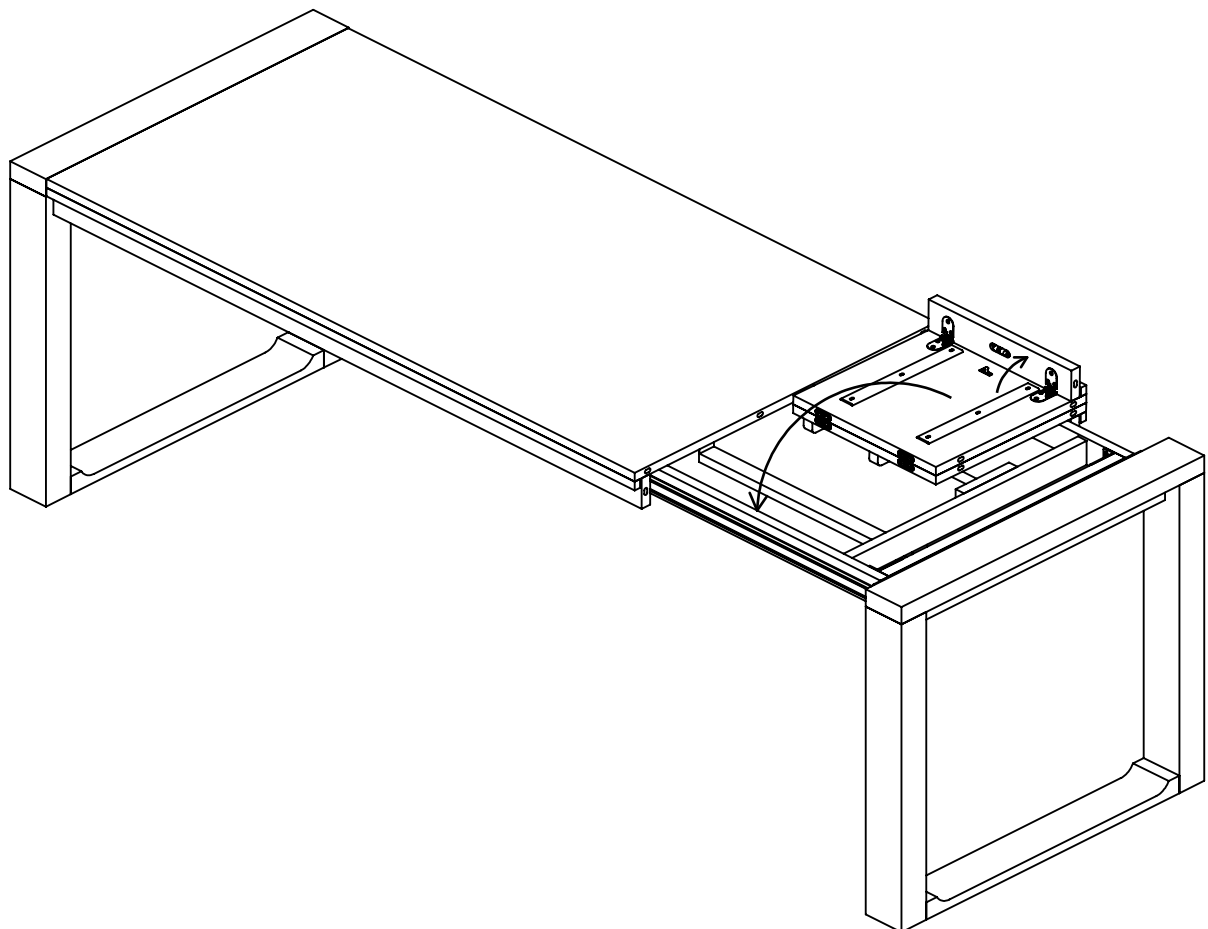
02



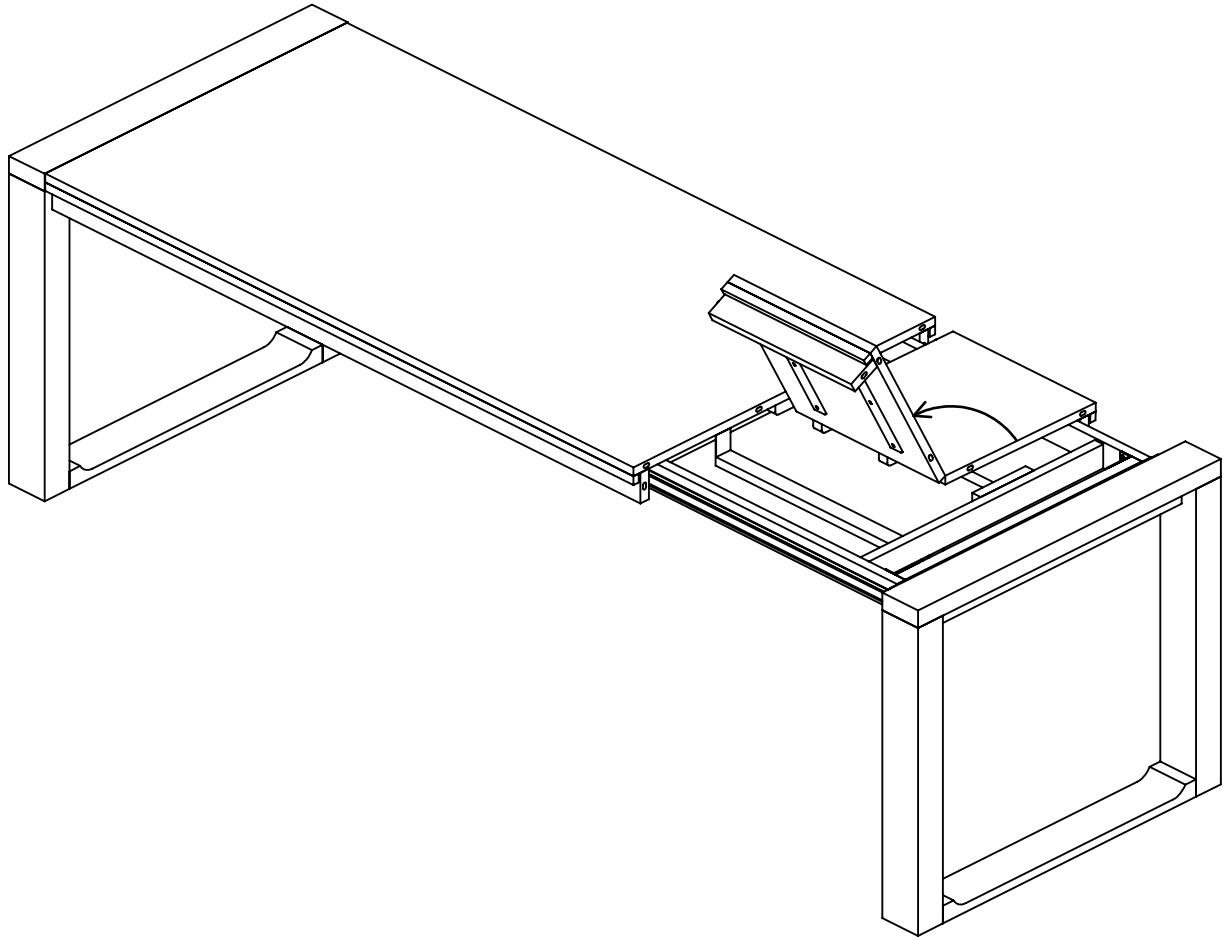
03



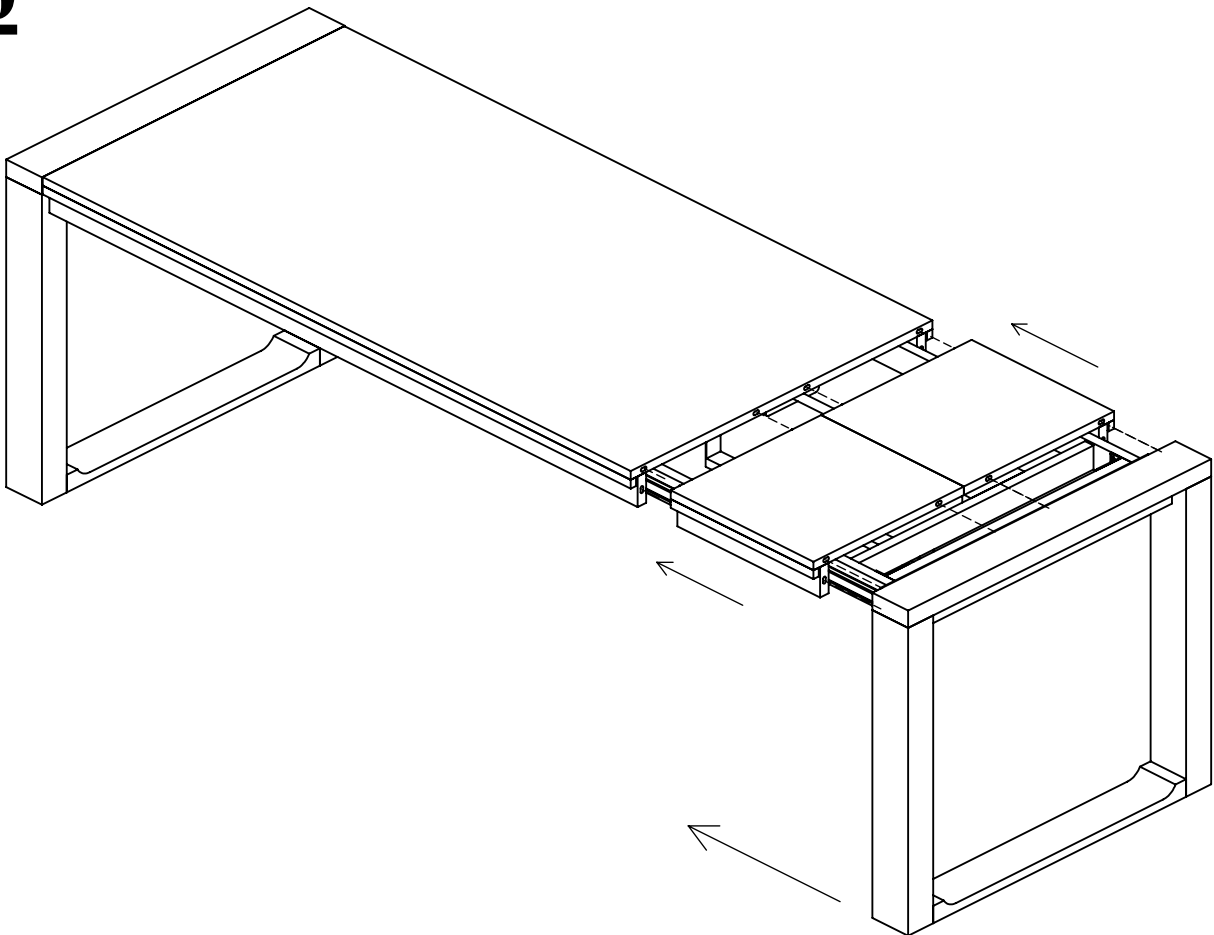
04

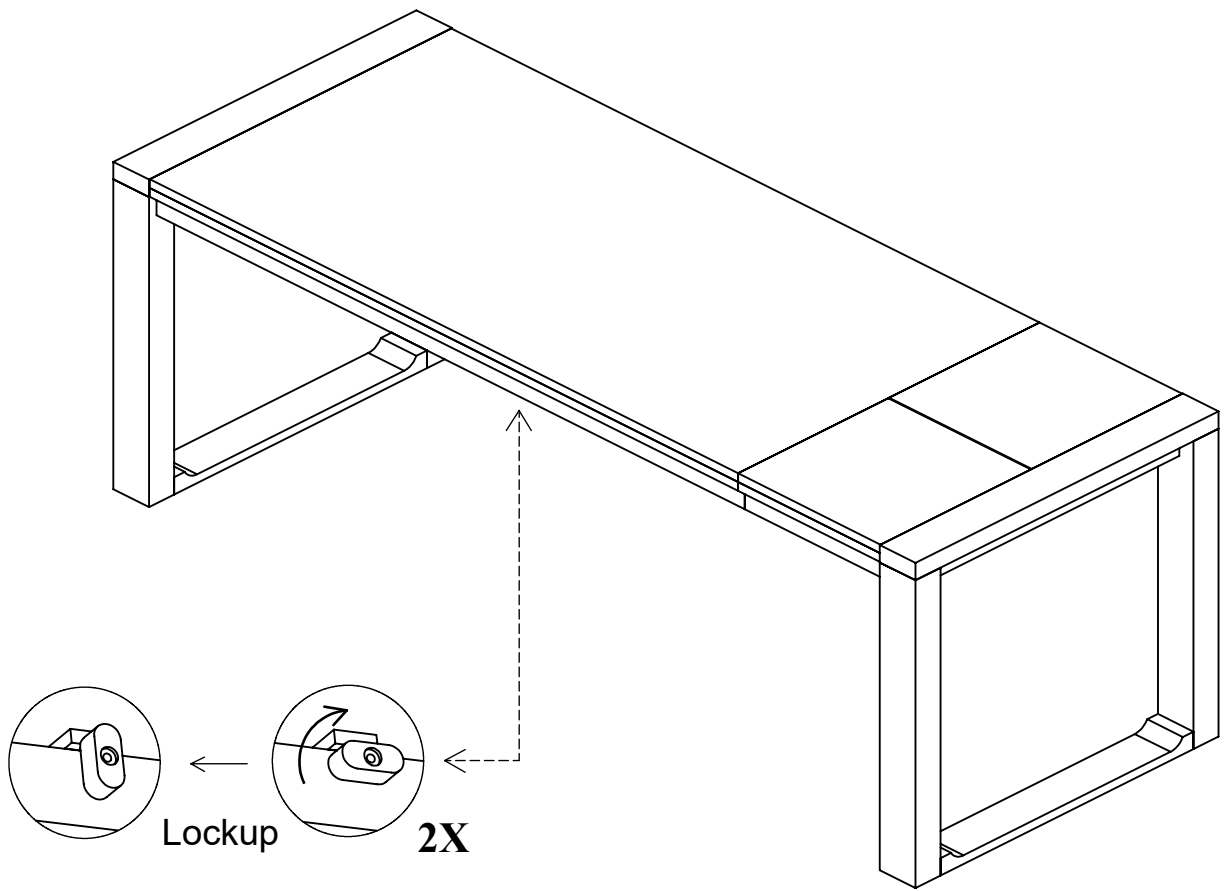


05



06





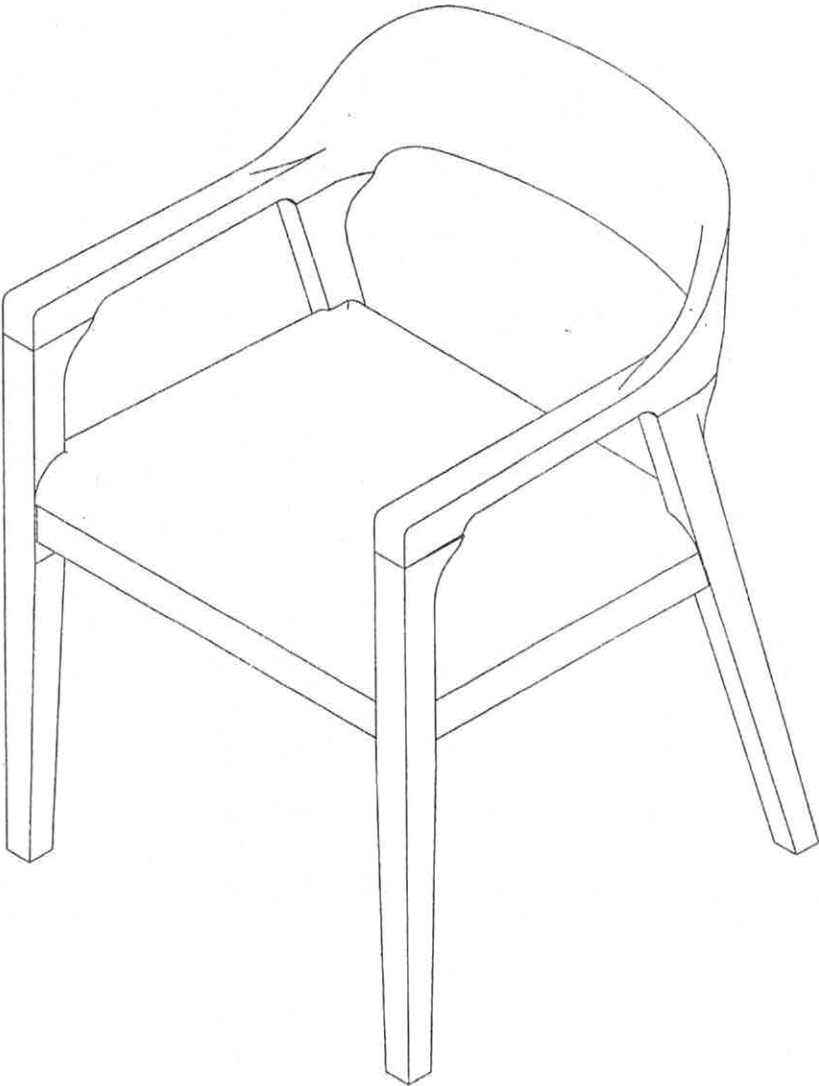
BE SURE TO CHECK ALL BOLTS SECURELY
TIGHTENED PRIOR USING THIS TABLE



Boraam Industries

**RASMUS DINING ARM CHAIR
ASSEMBLY INSTRUCTIONS**

77317





PLEASE READ ME FIRST



- Have questions about assembling your item?



- Item or parts damaged?



- Missing a part?



- We're here to help!



(847)949-6300 (M-F, 9am-5pm CST)



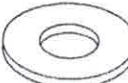
www.boraamindustries.com



customerservice@boraamindustries.com

A

9PCS

B

9PCS

C

2PCS

D

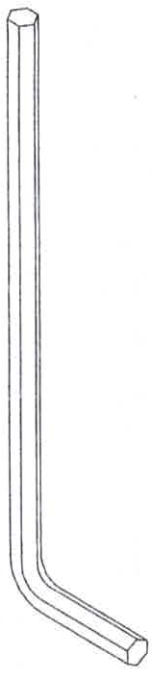
7PCS

E

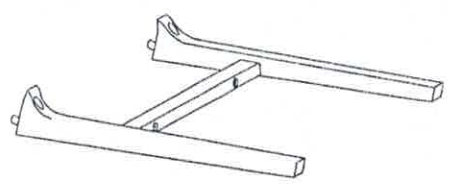
4PCS

F

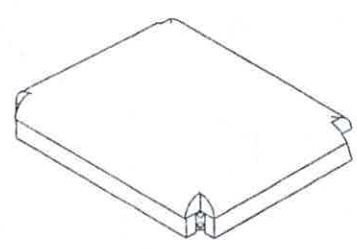
2PCS

G

1PC

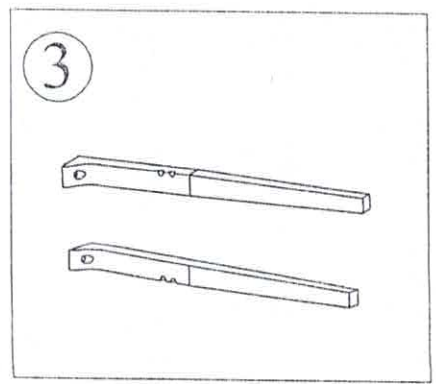
①



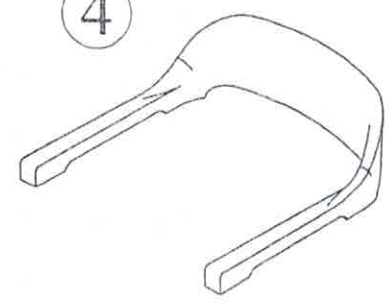
②



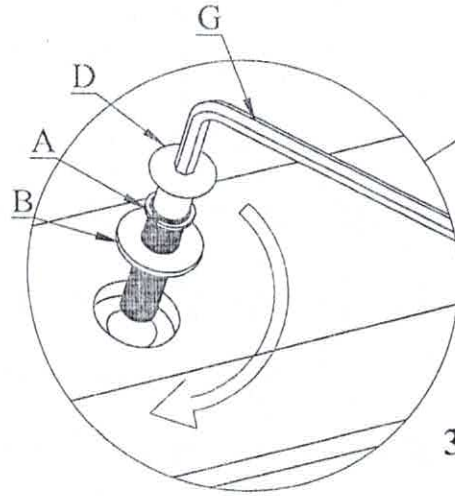
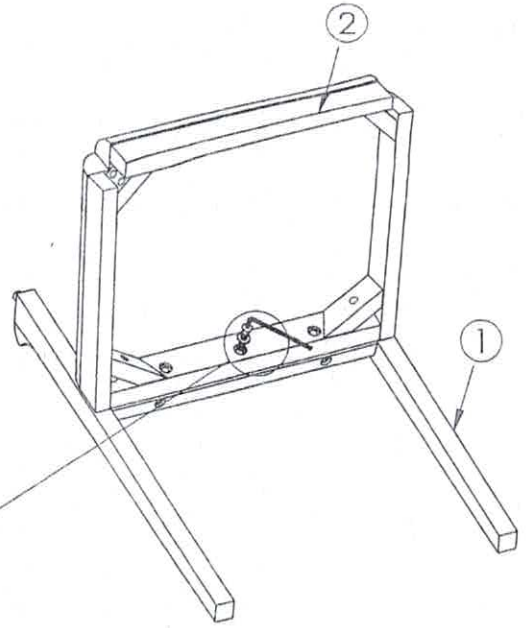
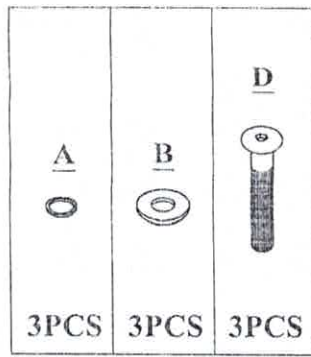
③



④



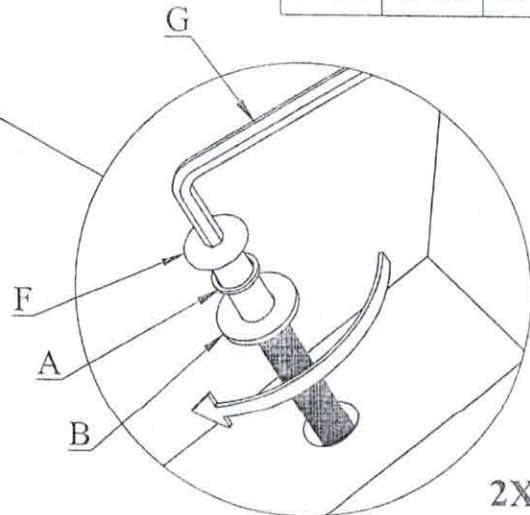
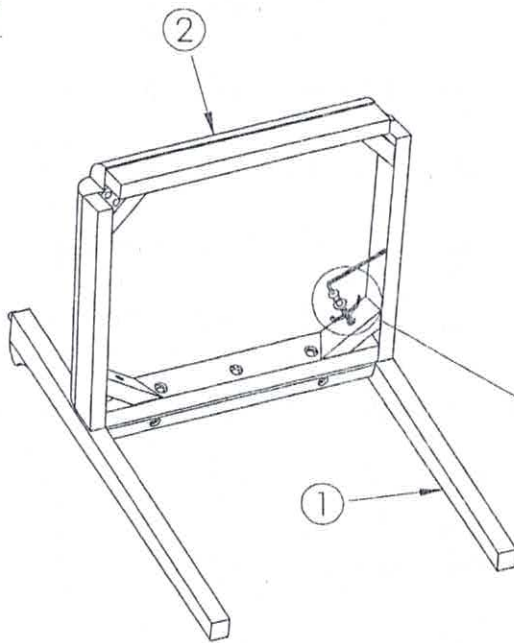
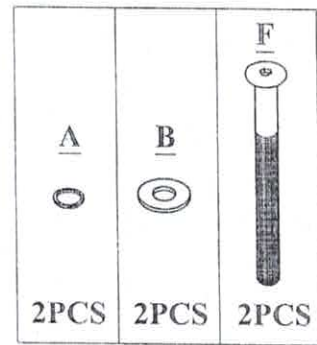
01



3X

DO NOT TIGHTEN BOLT COMPLETELY

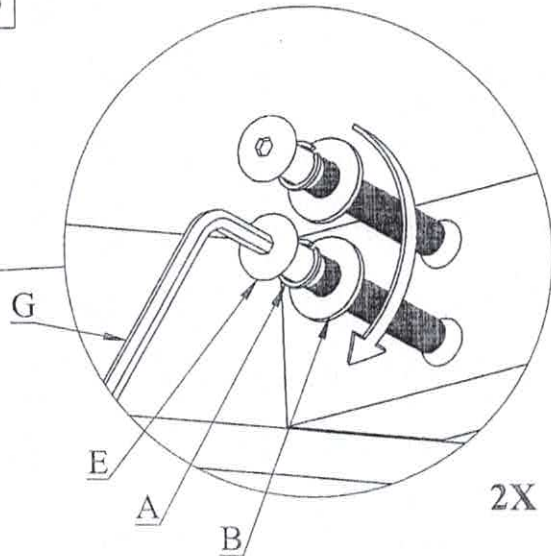
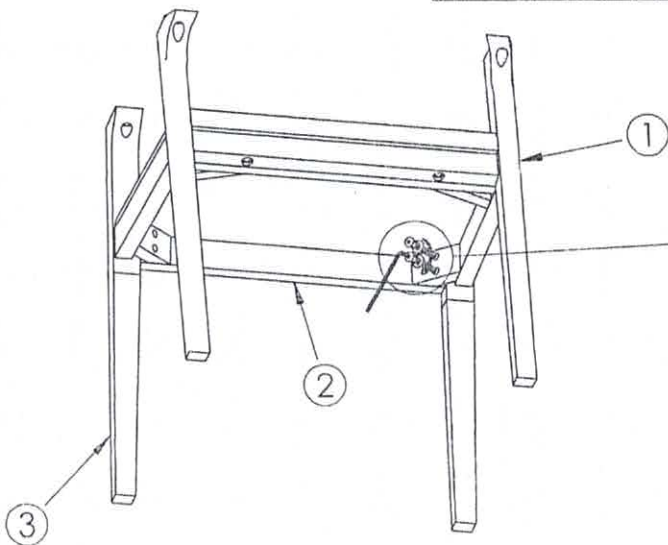
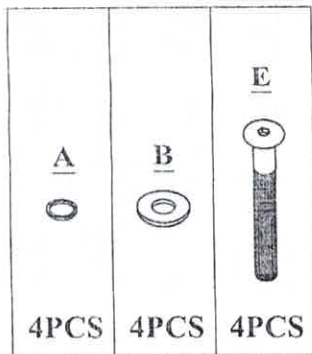
02



2X

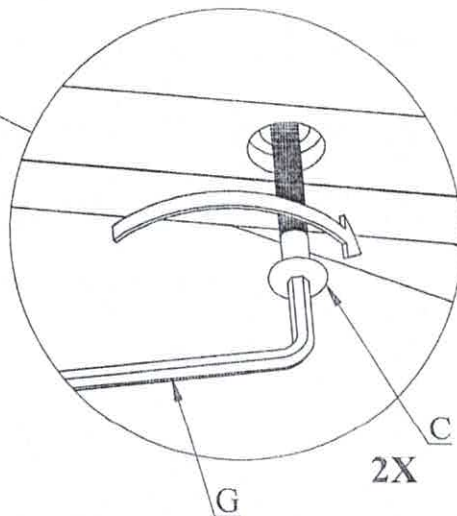
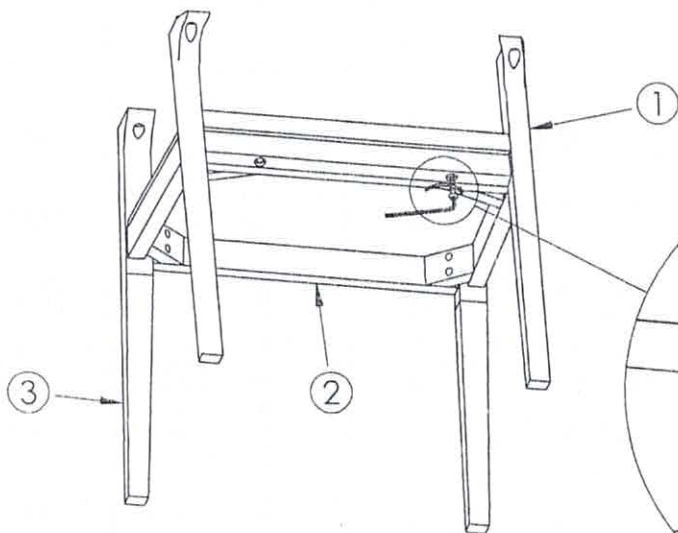
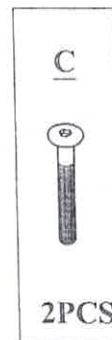
DO NOT TIGHTEN BOLT COMPLETELY

03

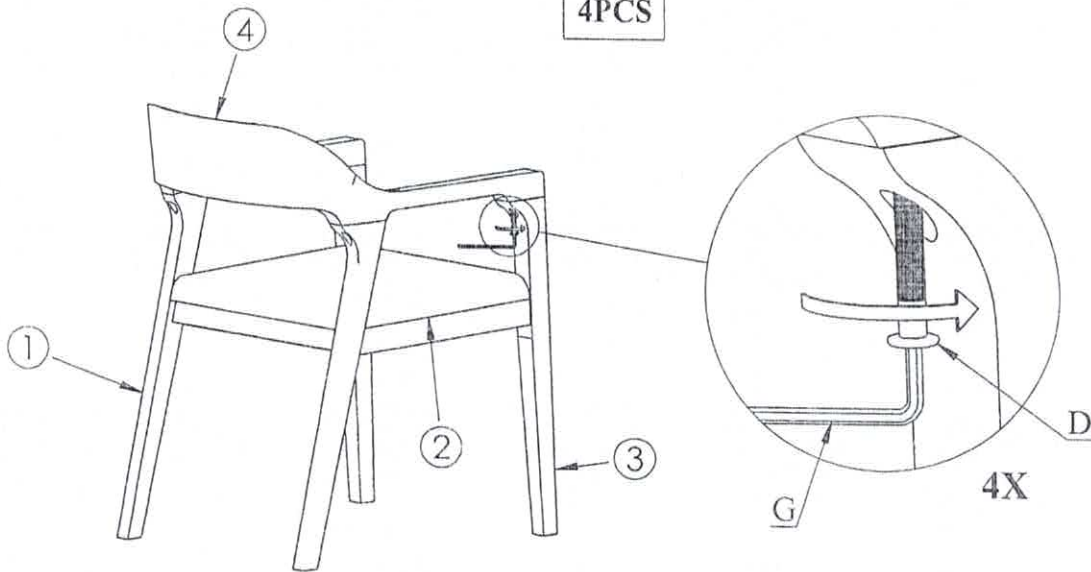
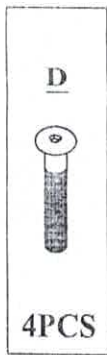


DO NOT TIGHTEN BOLT COMPLETELY

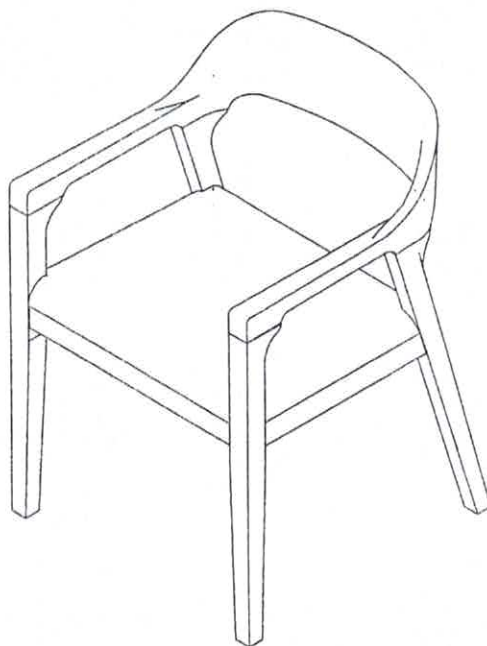
04



DO NOT TIGHTEN BOLT COMPLETELY



DO NOT TIGHTEN BOLT COMPLETELY



BE SURE TO CHECK ALL BOLTS SECURELY
TIGHTENED PRIOR USING THIS CHAIR