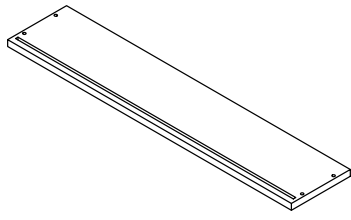
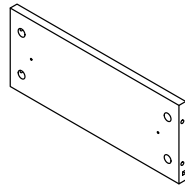


# Product Installation Instructions

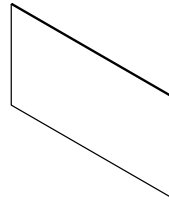




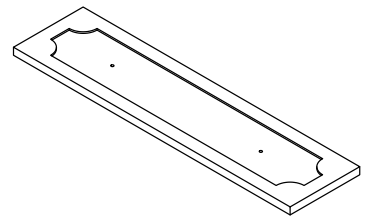
**A x2**



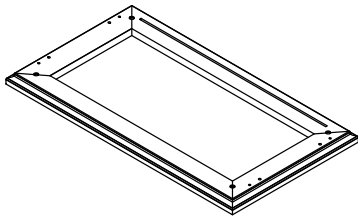
**B x4**



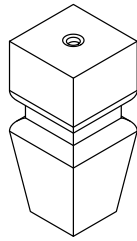
**C x2**



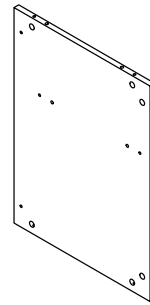
**D x2**



**E x1**



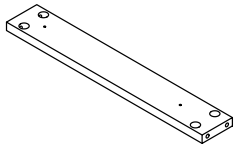
**F x4**



**G x1**



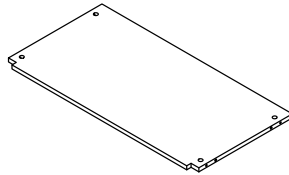
**H x1**



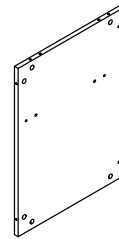
**I x4**



**J x1**



**K x1**



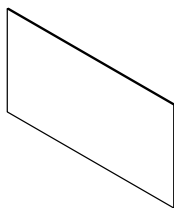
**L x1**



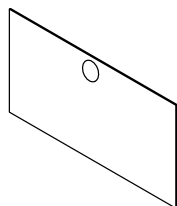
**M x1**



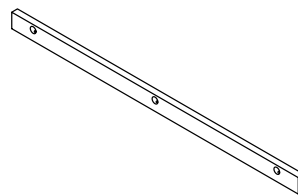
**N x1**



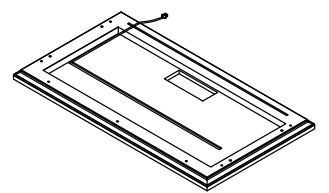
**O x1**



**P x1**

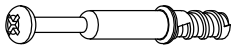



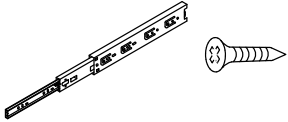
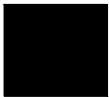

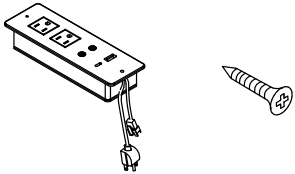
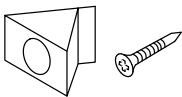
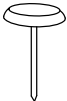


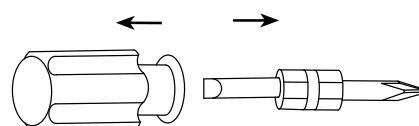
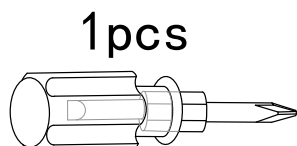
**Q x1**



**R x1**

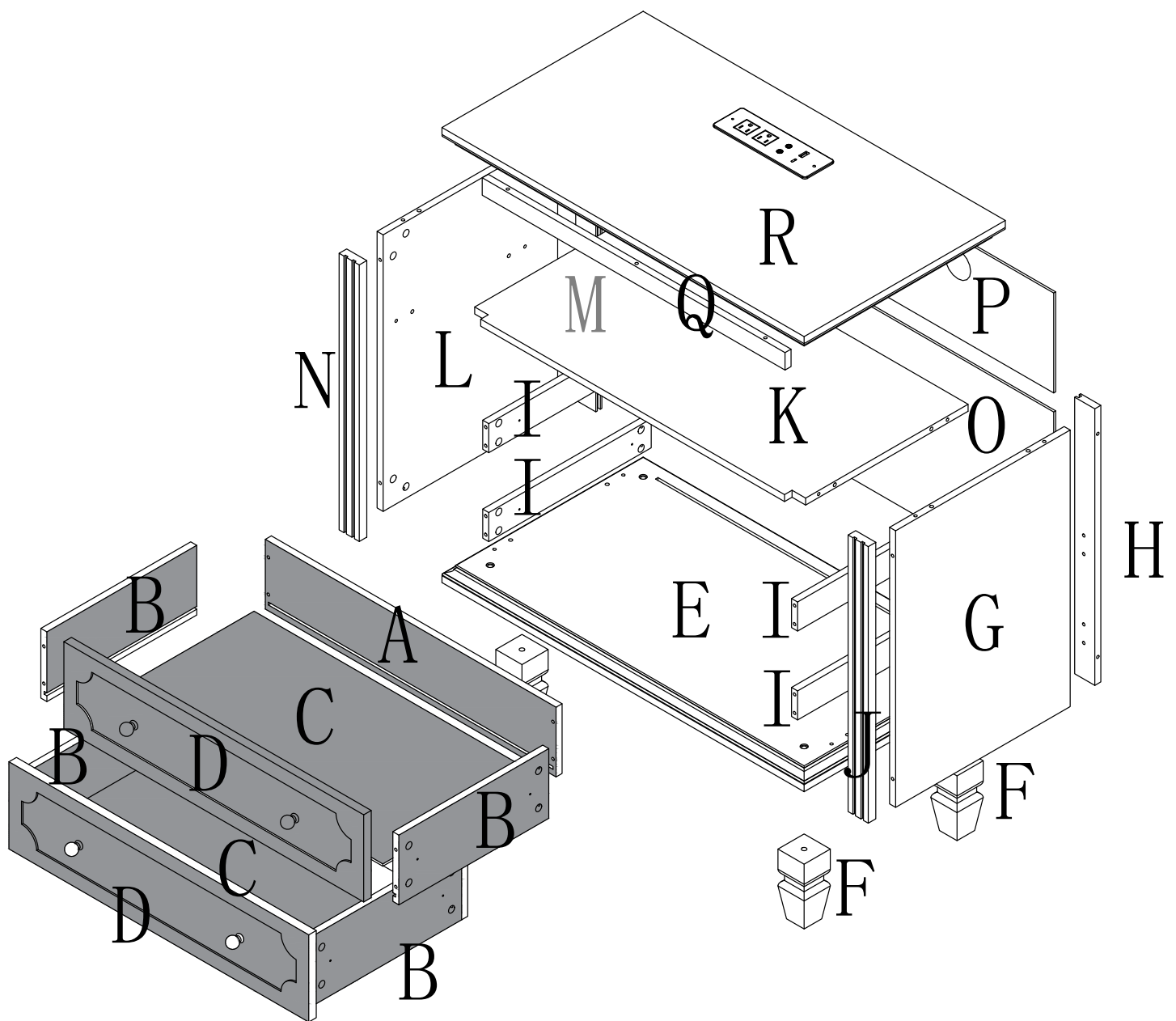
# Accessories list

1		Two In One Screw (6x28mm)	55pcs +5pcs
2		Two In One Nut (10x12mm)	55pcs +5pcs
3		Wood Chipping (6x30mm)	12pcs +2pcs
4		Handle & Screw (4x16mm)	4pcs 4pcs +1pcs
5		Screw & Guide (3x12mm) (29mm)	4pcs 20pcs +2pcs
6		Non-slip pads 35*35*2	4pcs +2pcs
7		Screw (6x45mm)	4pcs +1pcs
8		Power strip screw (3x10mm)	1pcs 2pcs +1pcs
9		Fixing clip & screw (3x16mm)	4pcs +2pcs
10		Foot nail	2pcs +1pcs



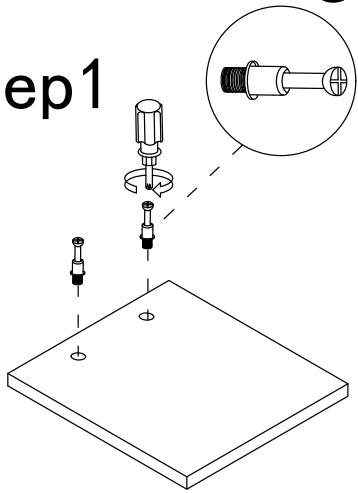
Double-head screwdriver, use as required

# Product structure decomposition

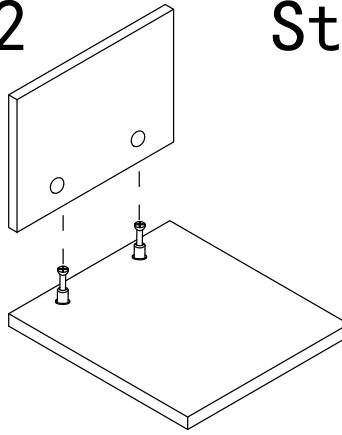


# Use parts ① and ②

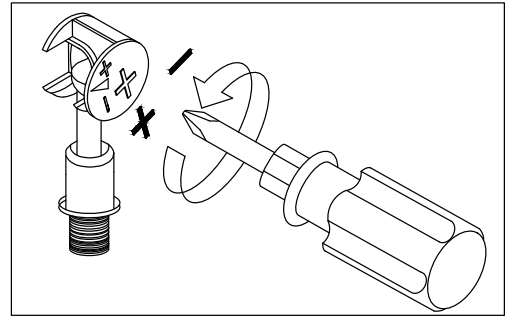
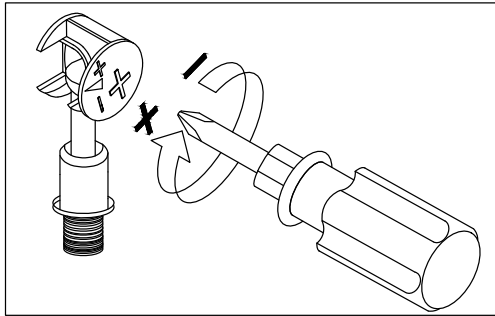
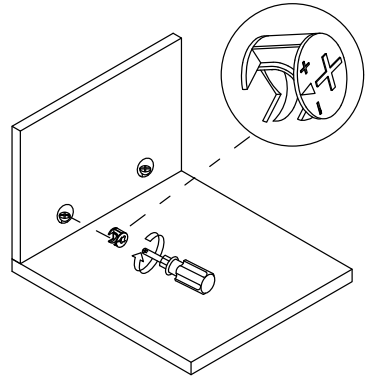
## Step1



## Step2



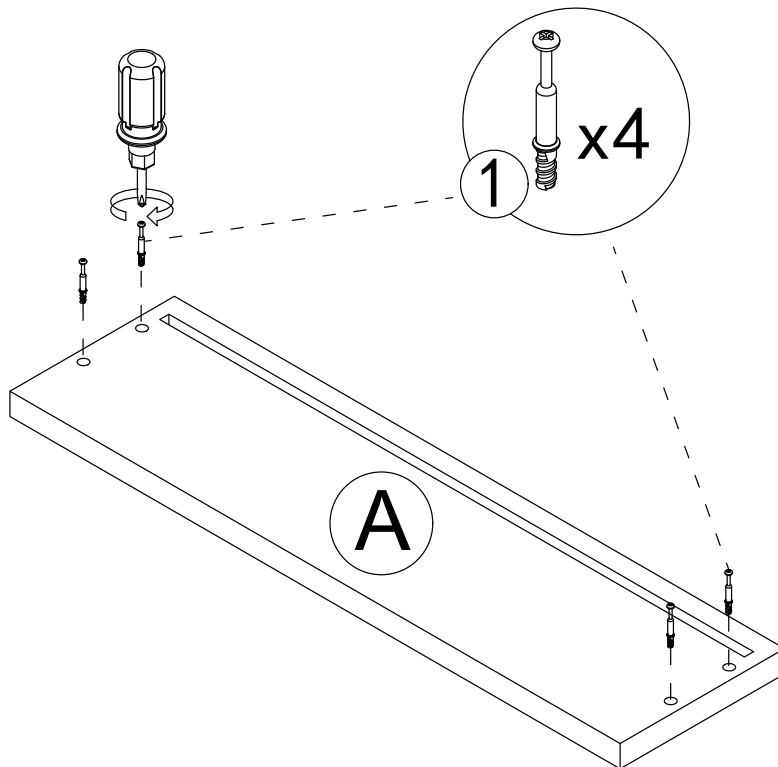
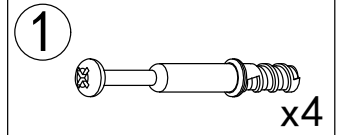
## Step3



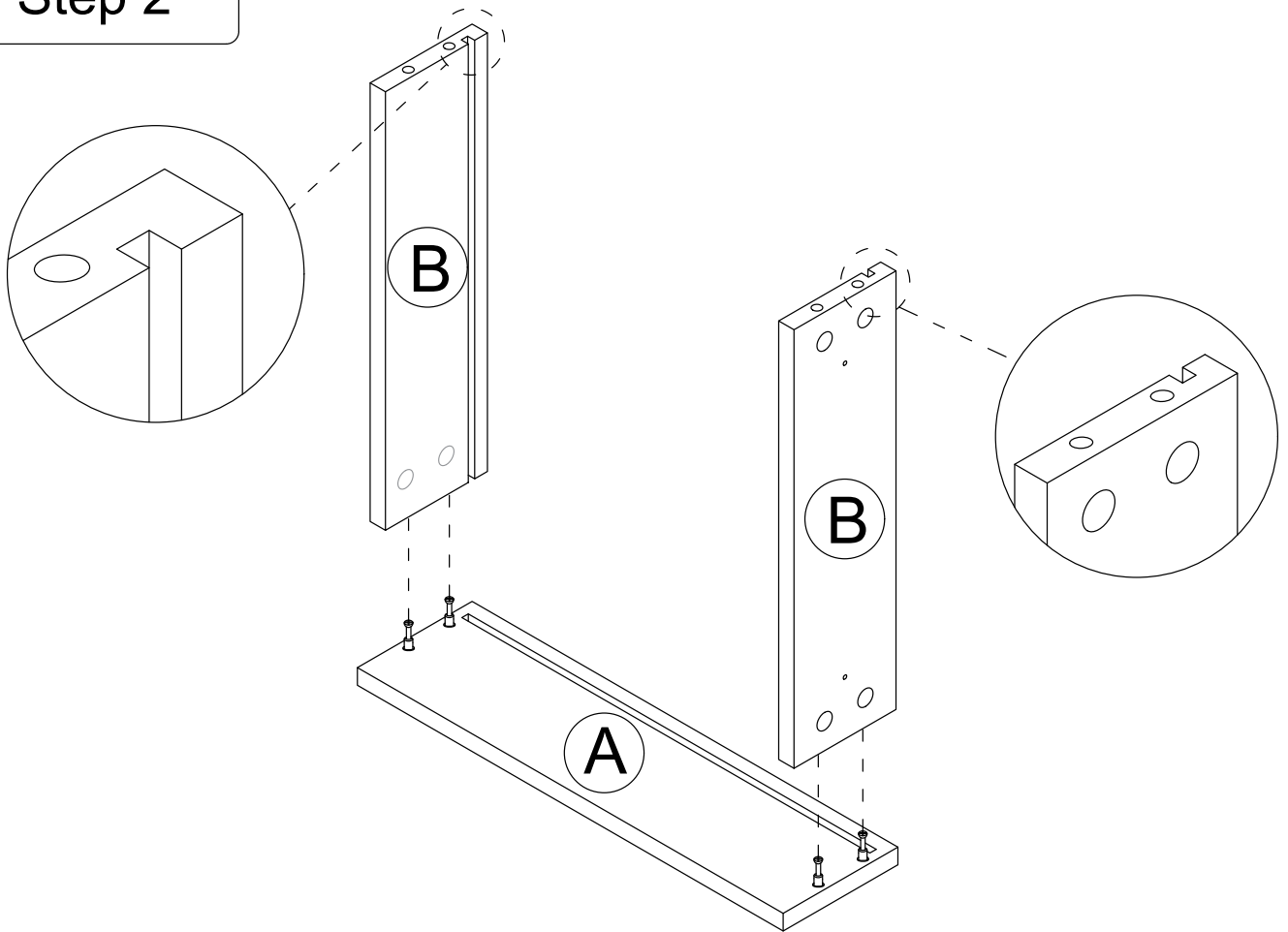
Use a screwdriver to lock in the direction of the "+" sign

Disassemble along the direction of "-" sign

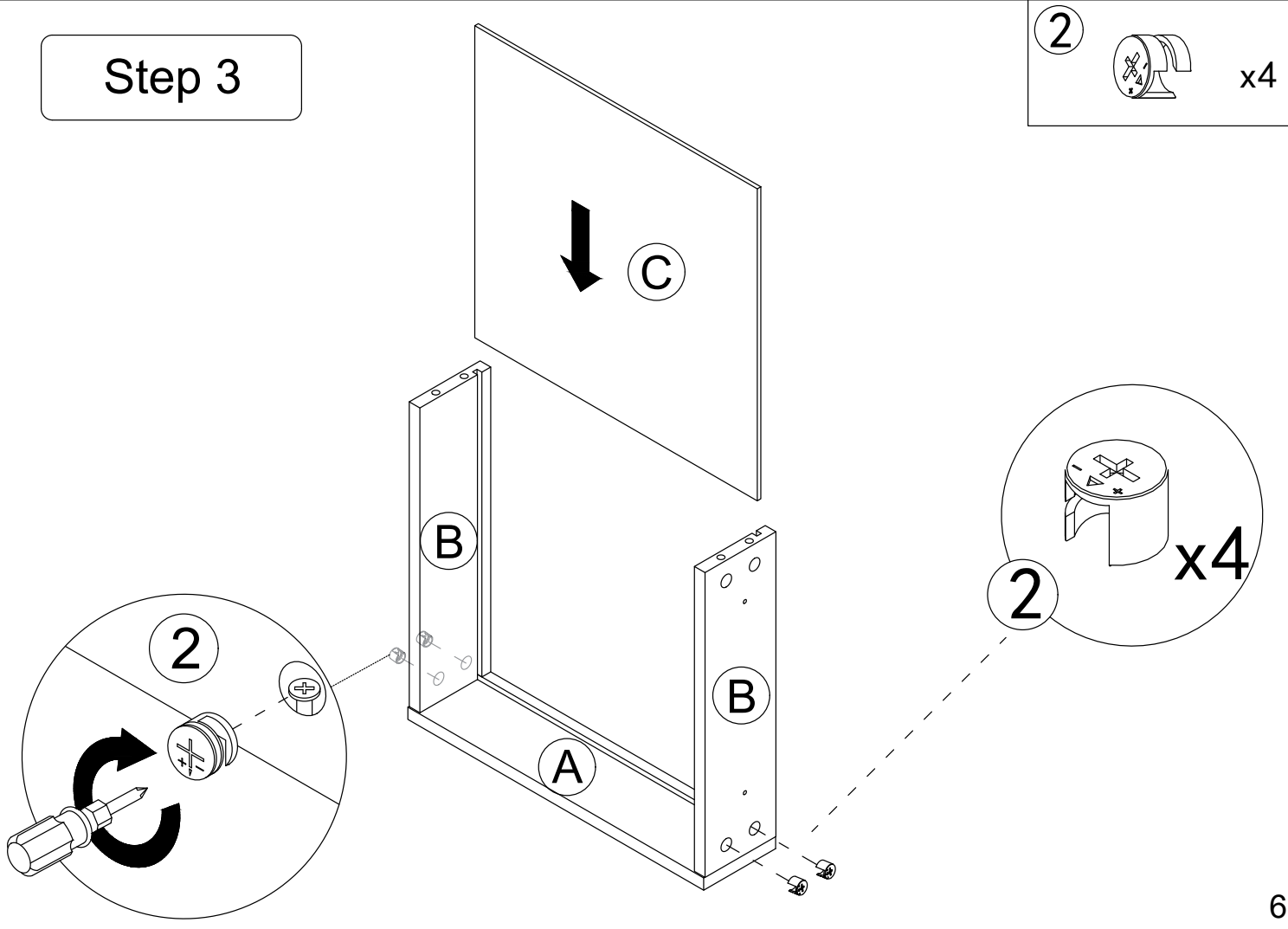
## Step 1



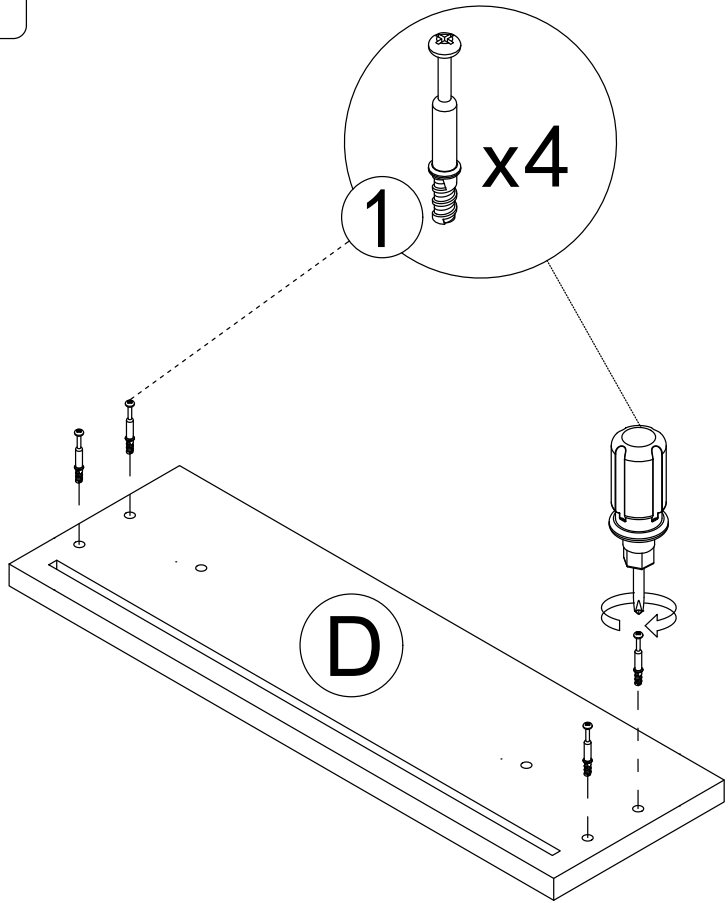
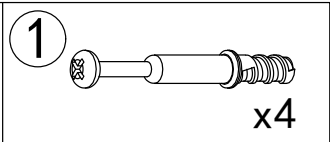
## Step 2



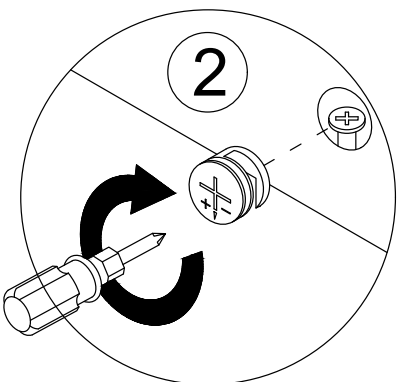
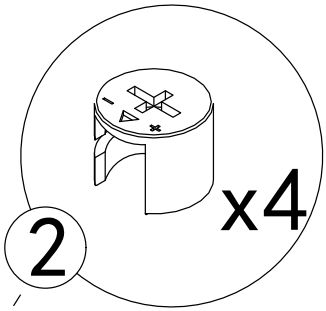
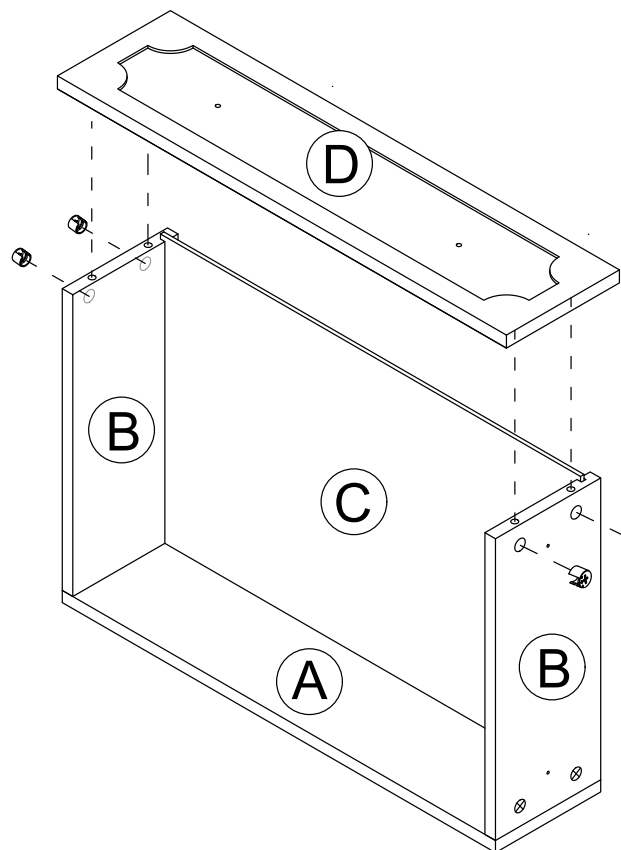
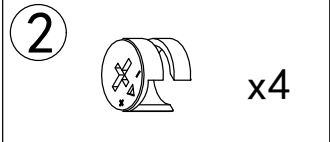
## Step 3



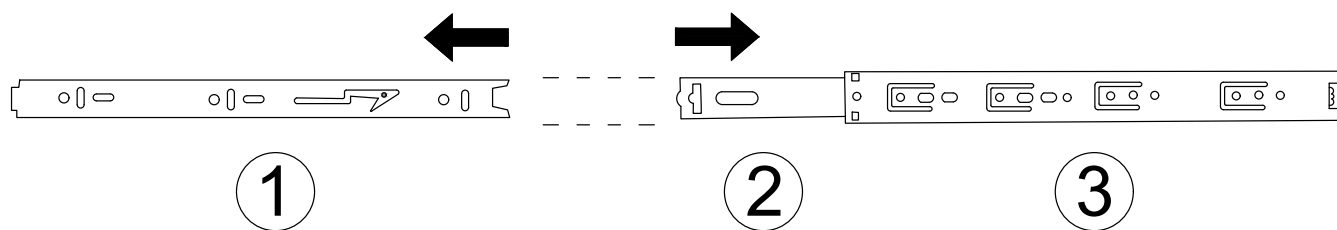
Step 4



Step 5

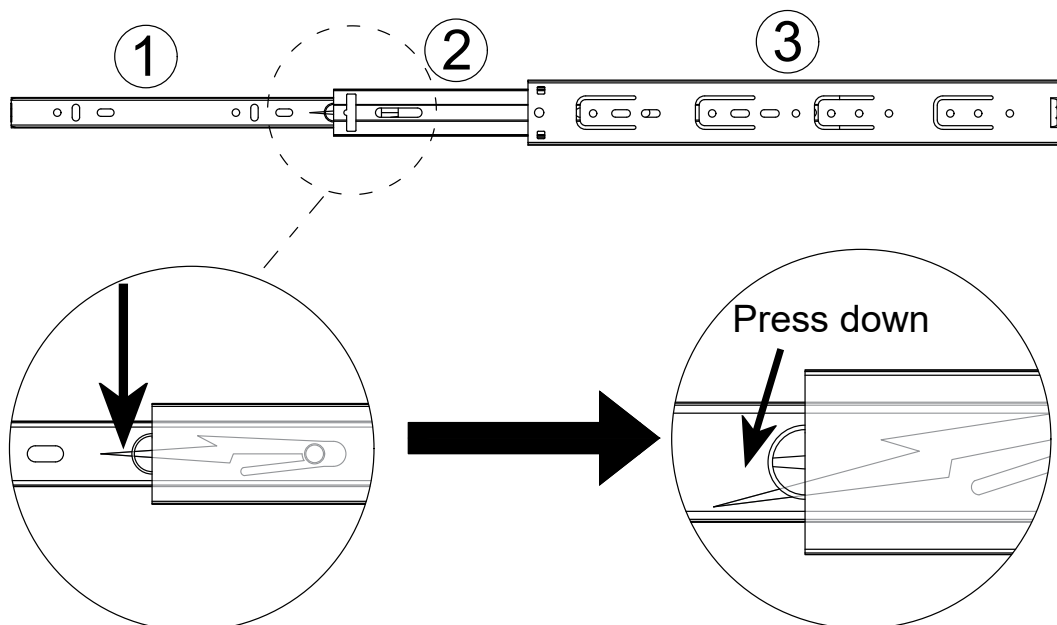


## Drawer rail breakdown diagram



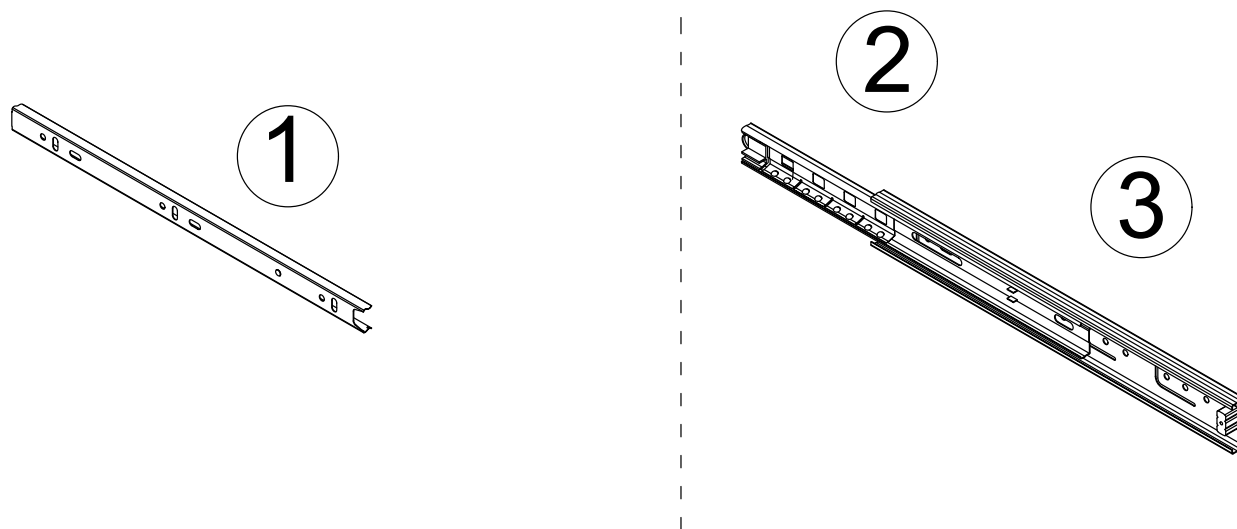
### ① Dismantle the schematic diagram

#### Step 1 : Pull the rails apart

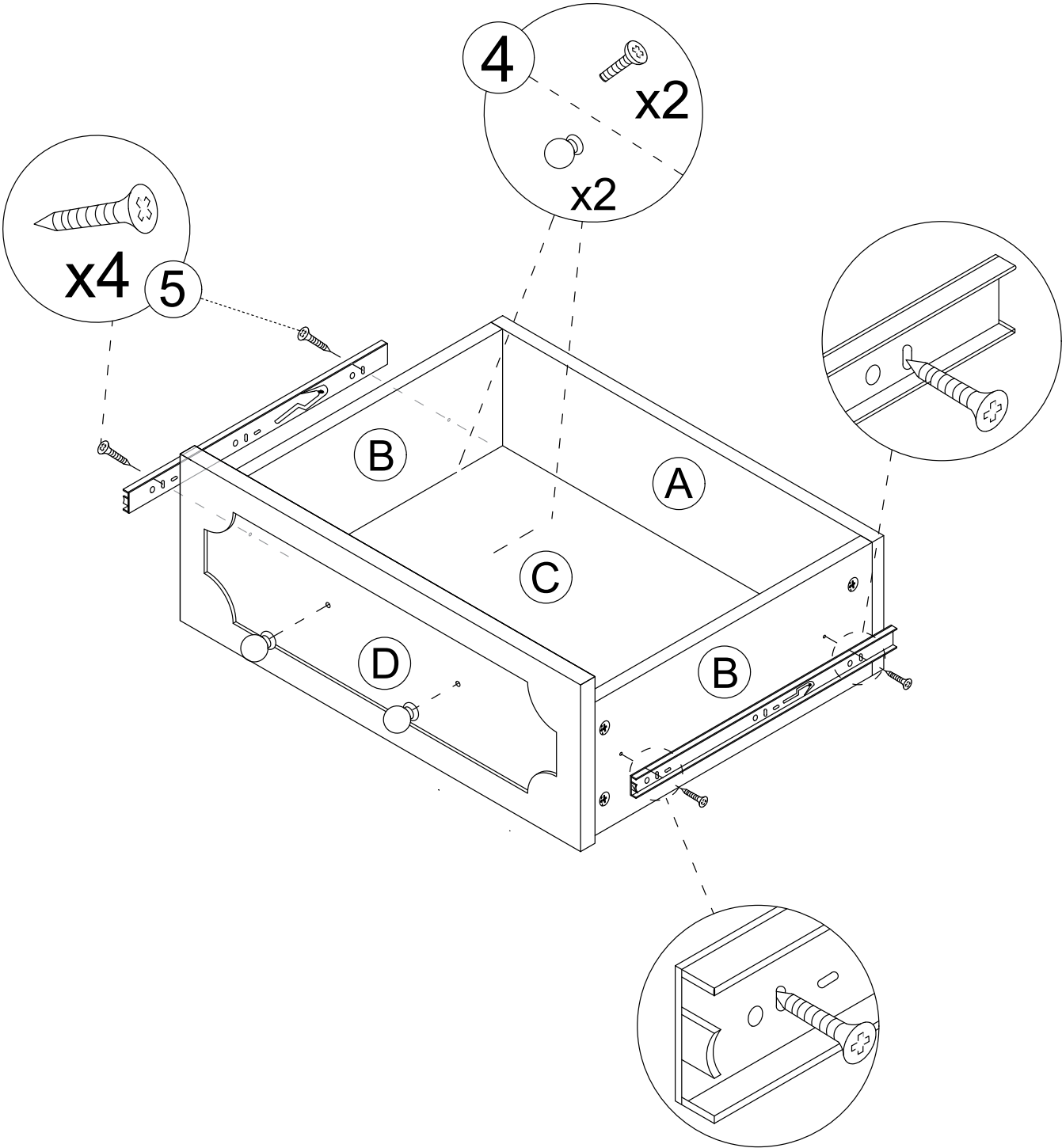
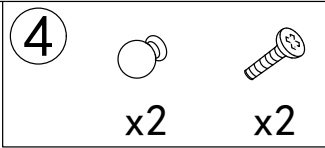
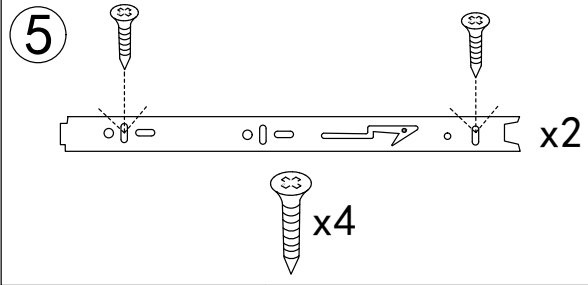


#### Step 2 : Press the nylon button and pull out ①.

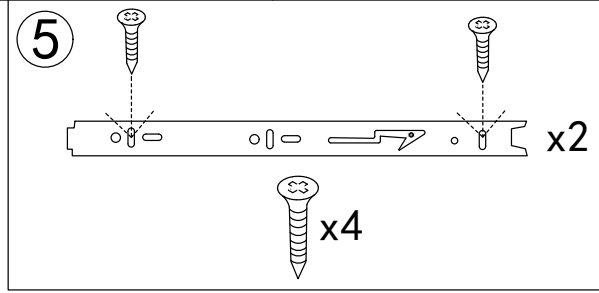
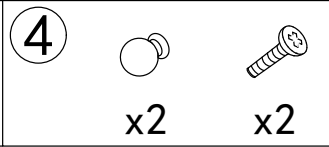
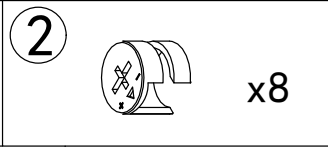
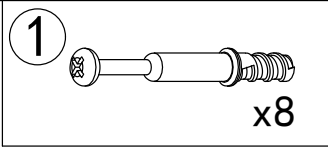
### Drawer rail decomposition completed schematic diagram



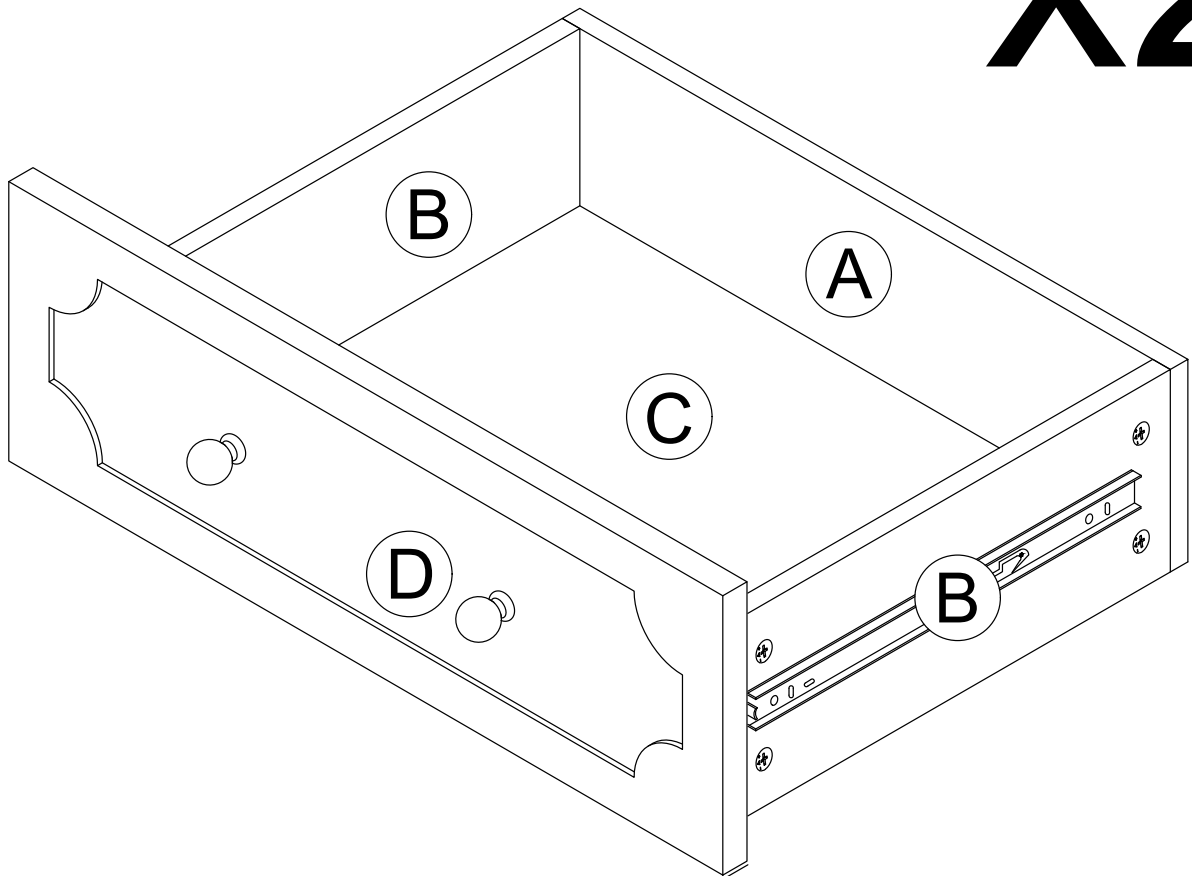
# Step 6



Step 7

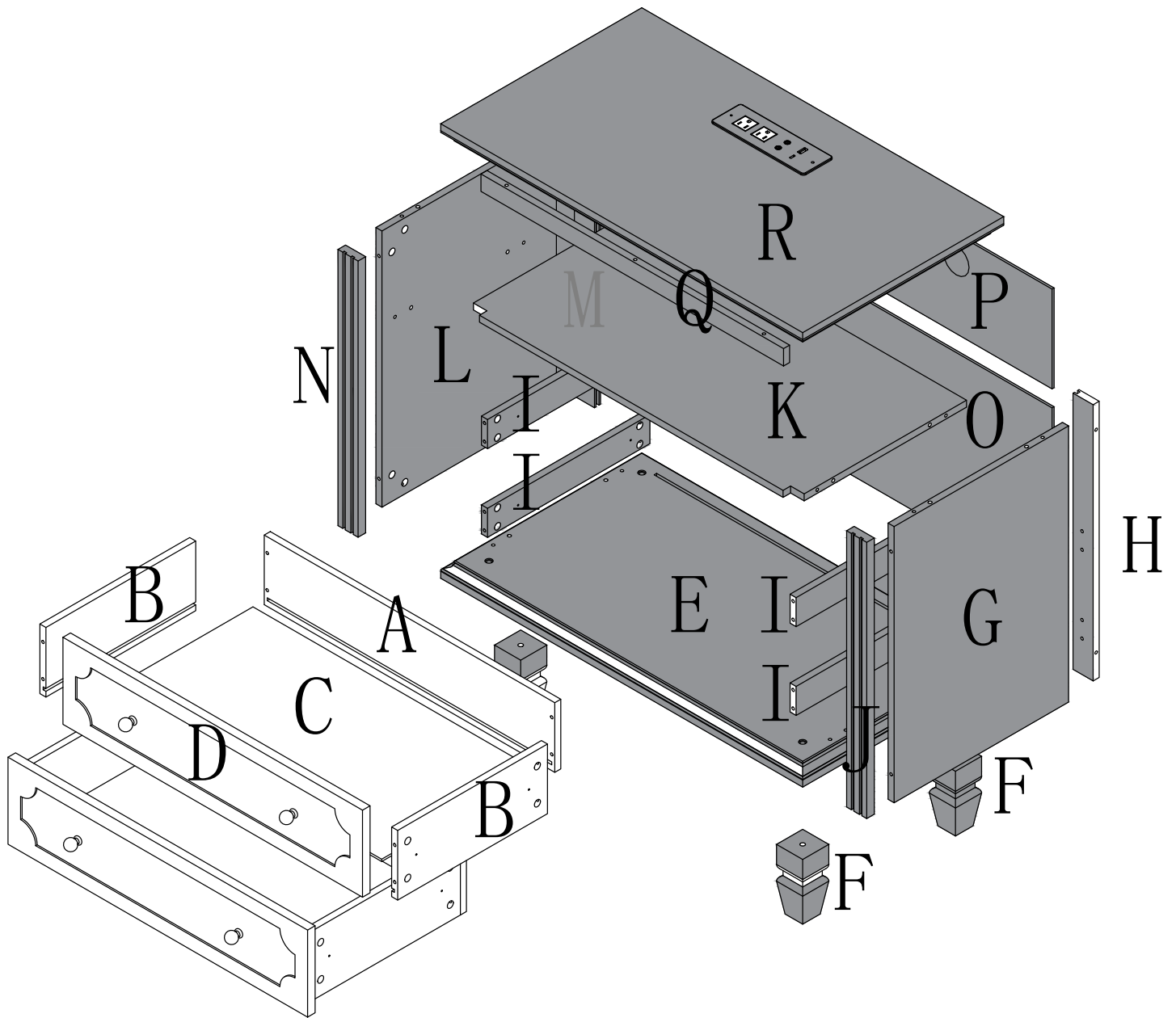


x2

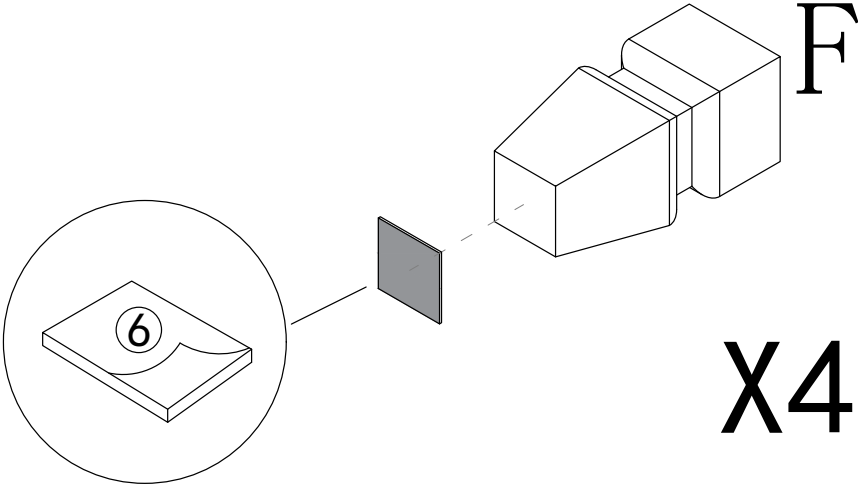
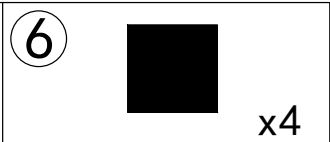


Repeat the drawer installation steps

# Product structure decomposition

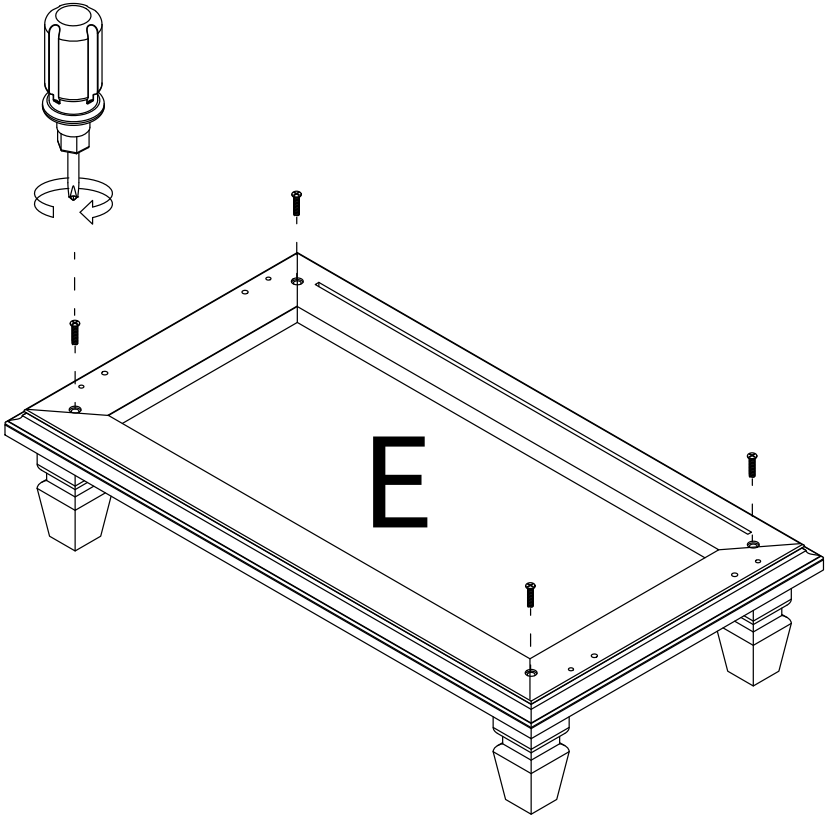
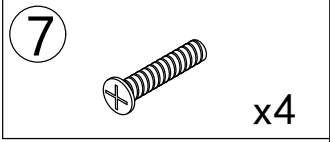


Step 8

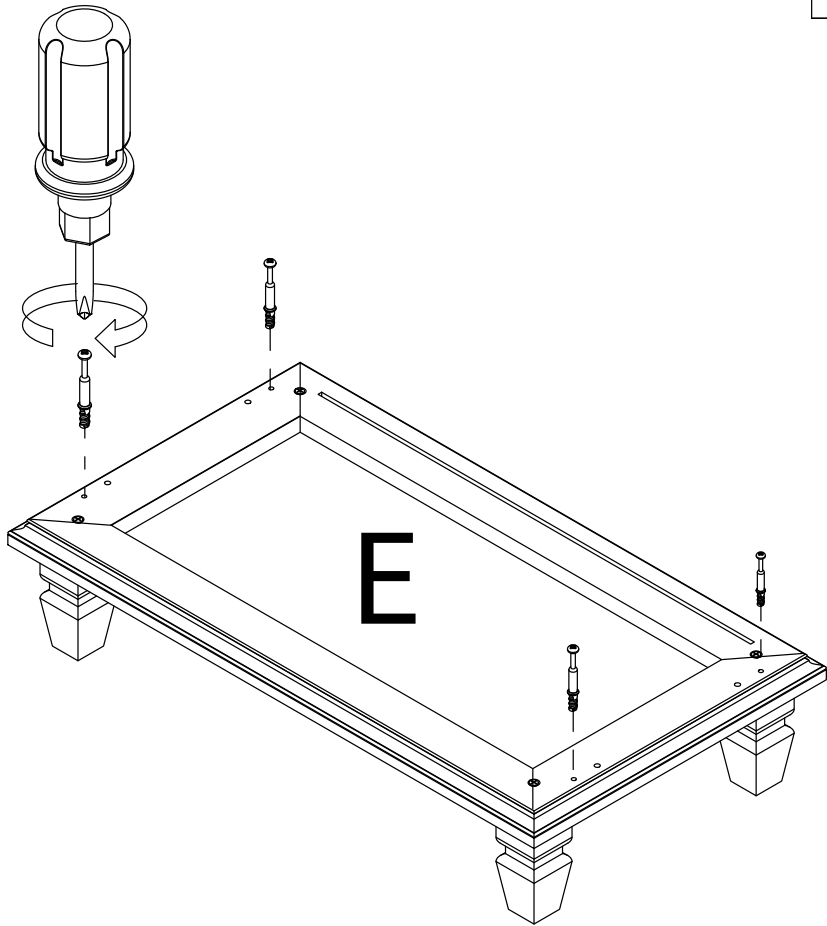
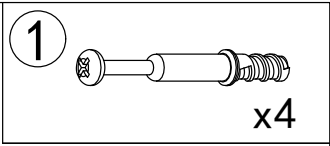


Tear off the protective film before installation

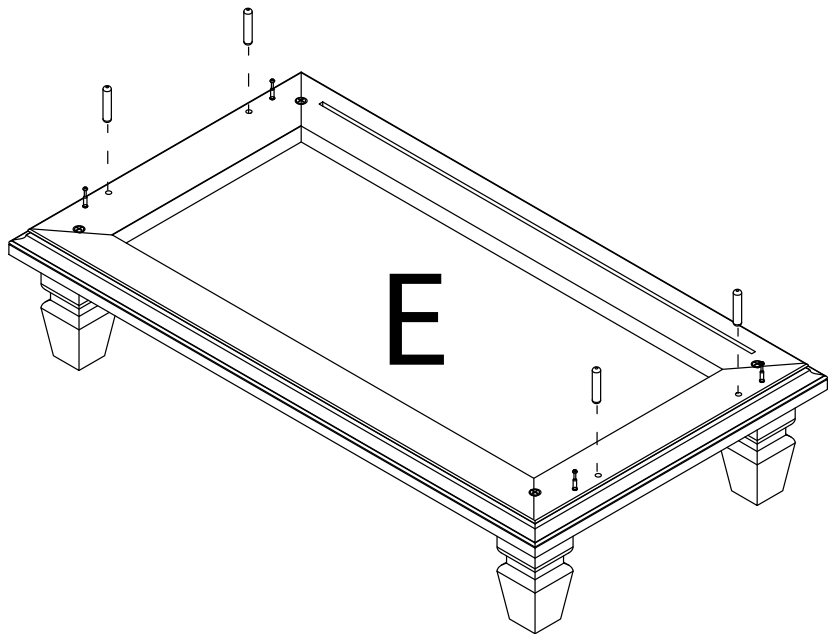
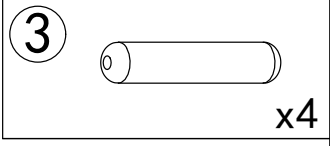
Step 9



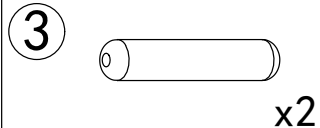
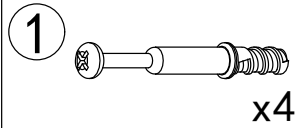
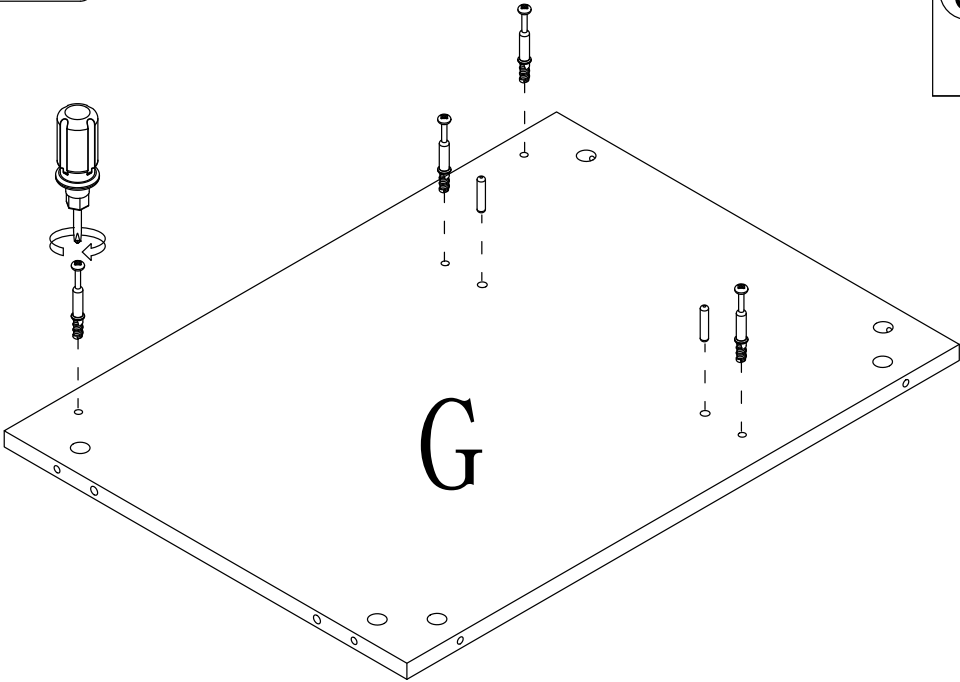
Step 10



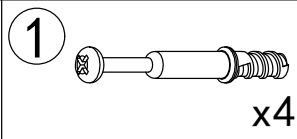
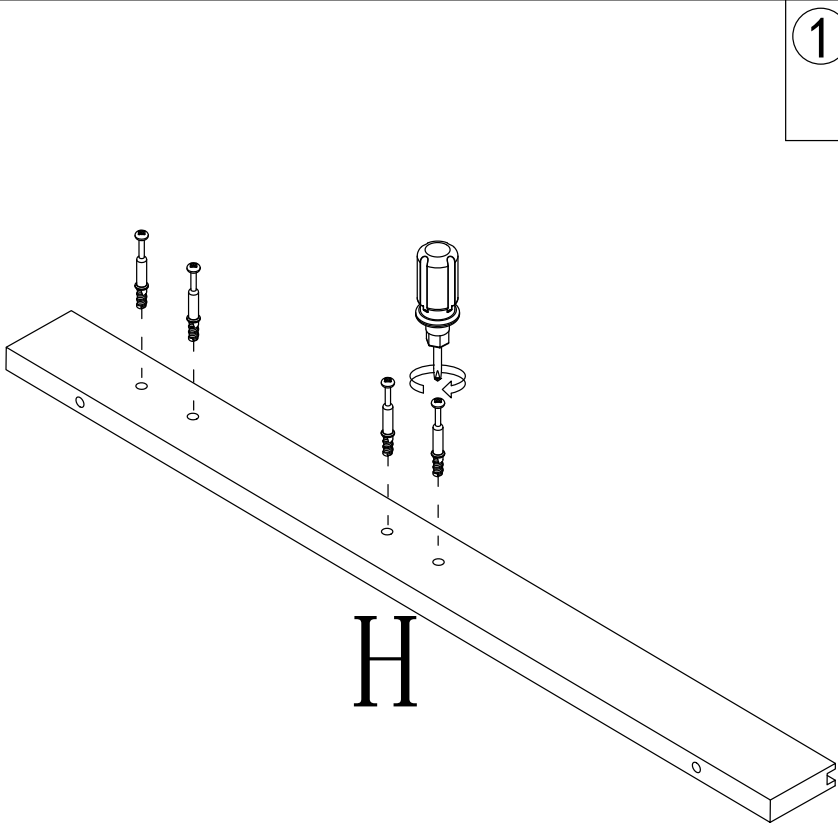
Step 11




Step 12

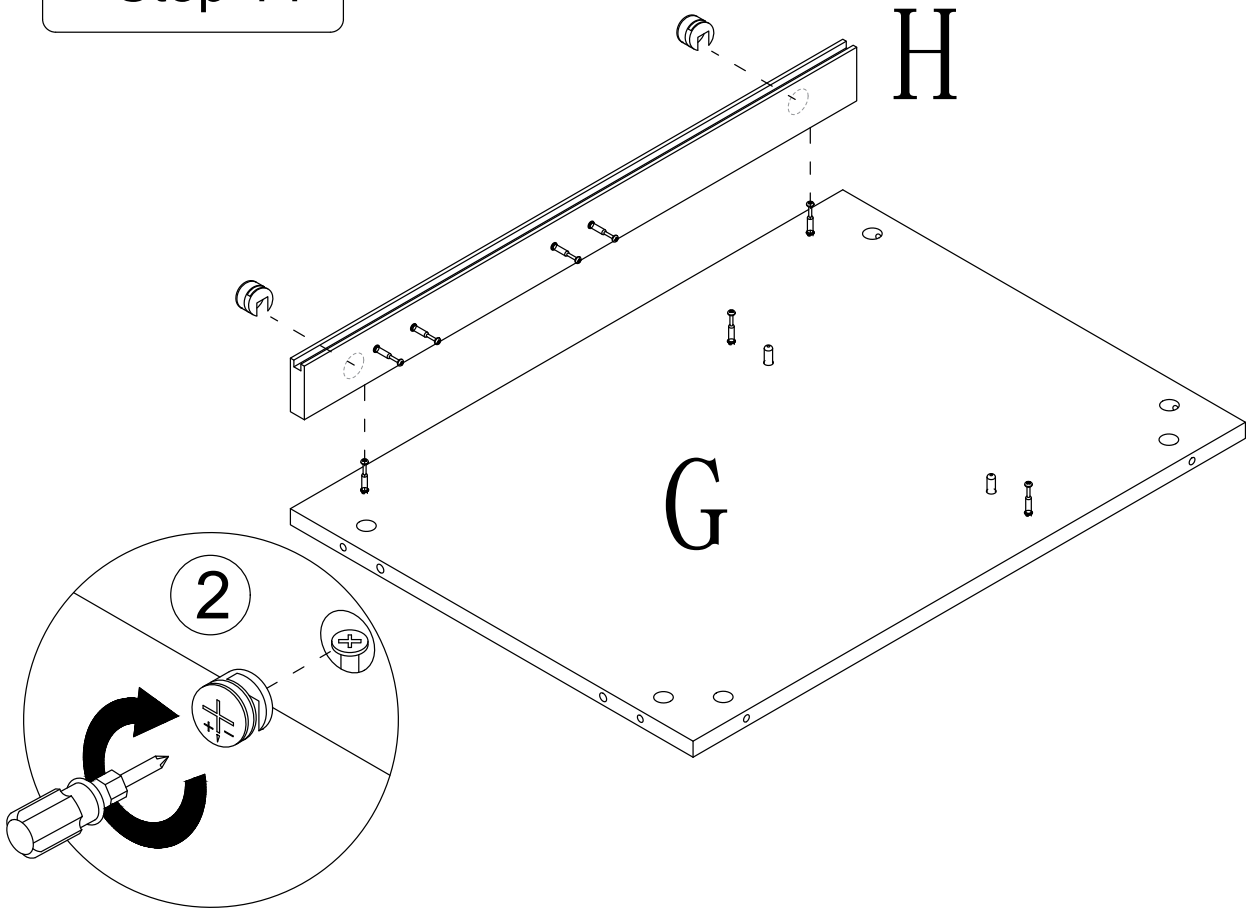


Step 13




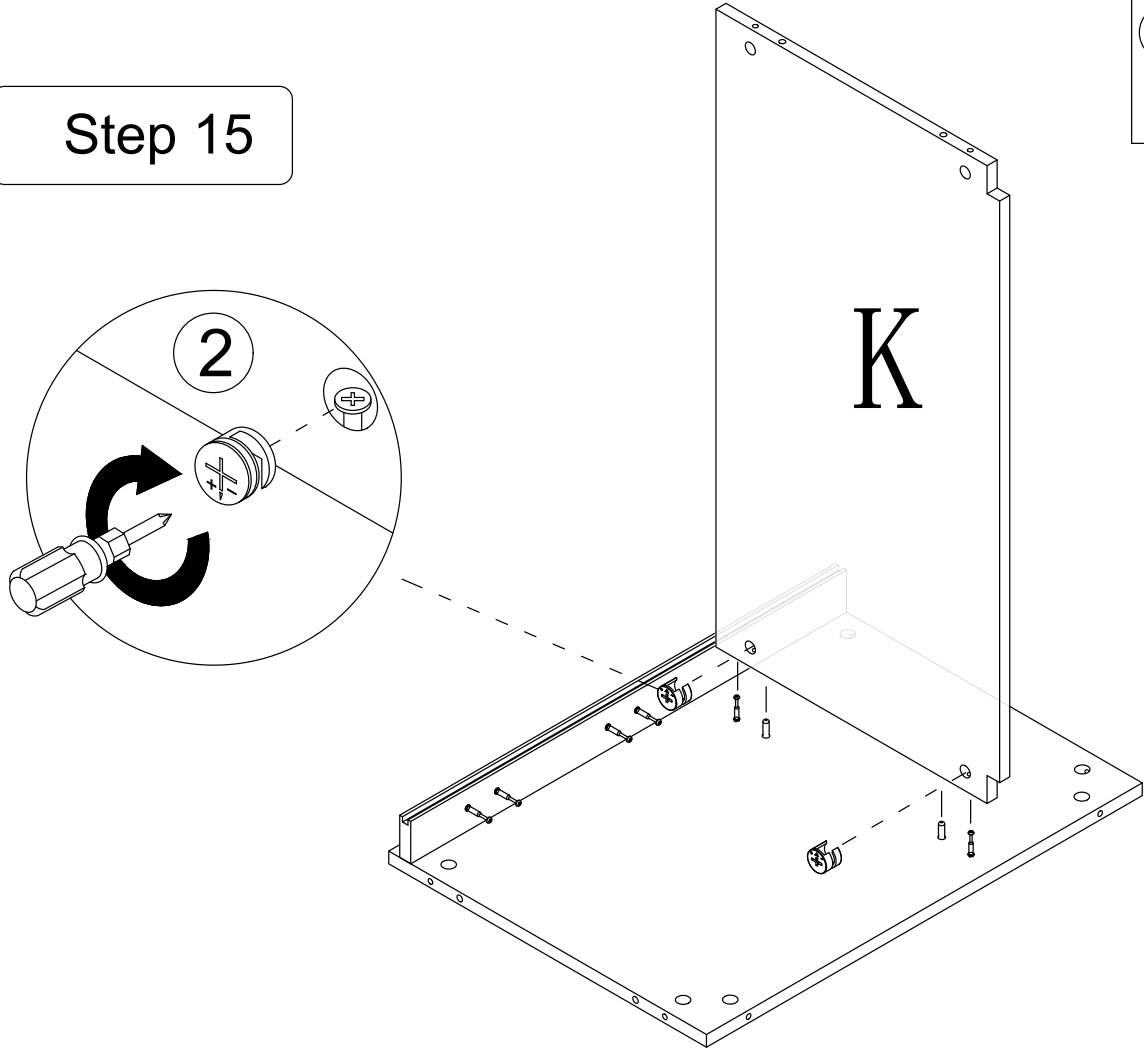
Step 14

2  x2

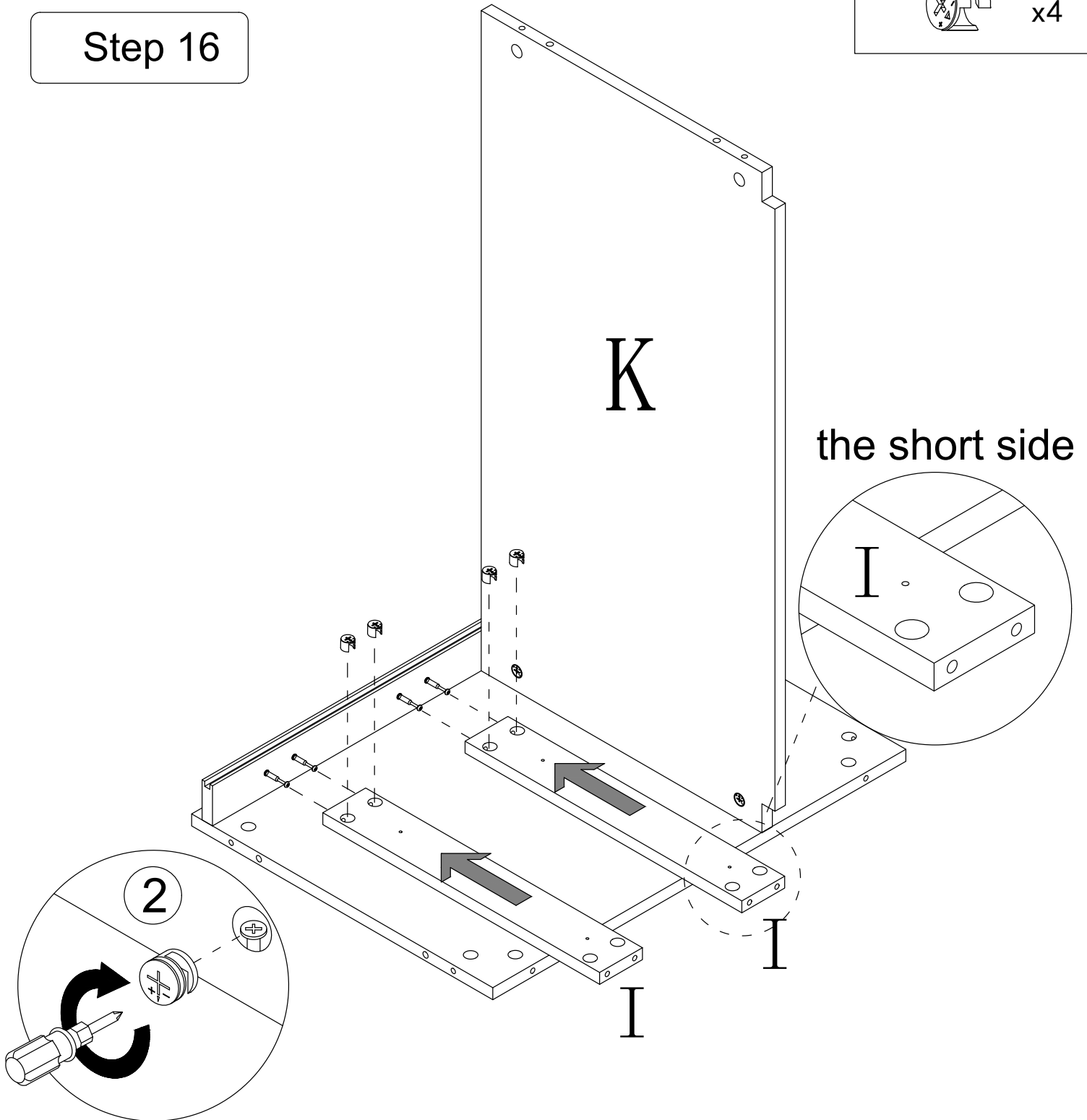
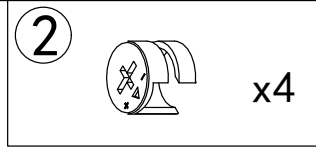


Step 15

2  x2

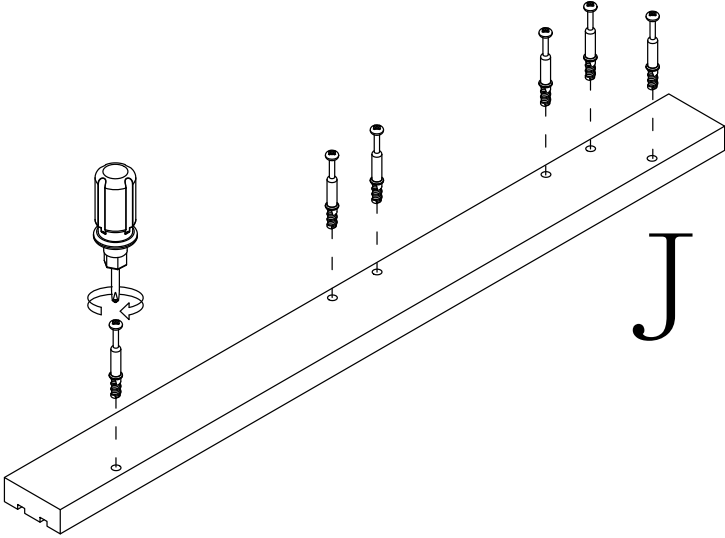
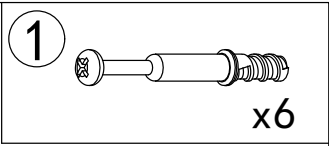


## Step 16

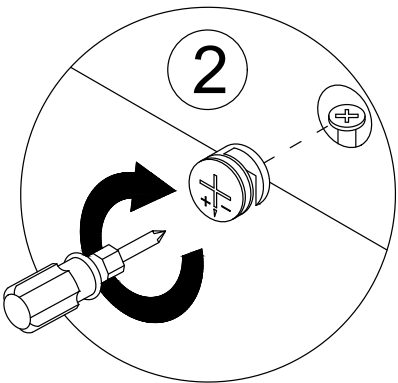
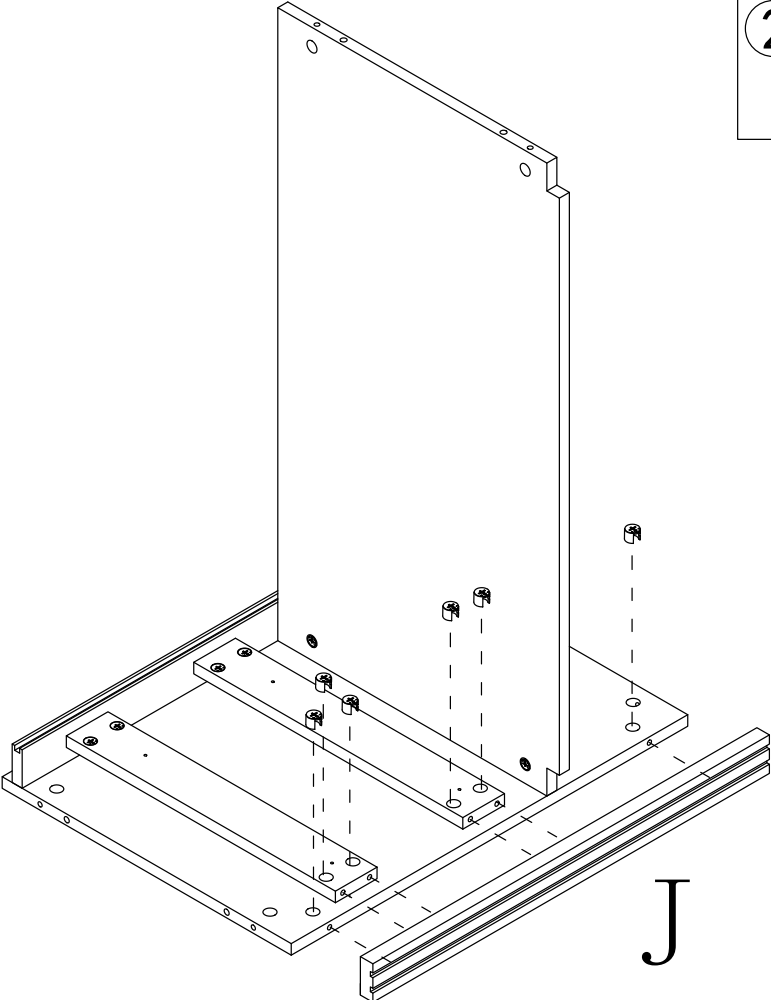
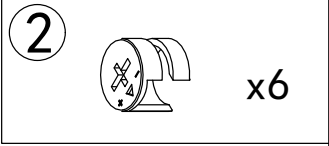


**Note:** When installing the rails, ensure the short side of the guide holes faces outward.

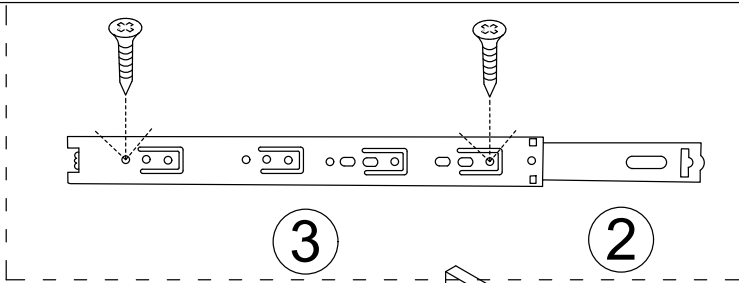
Step 17



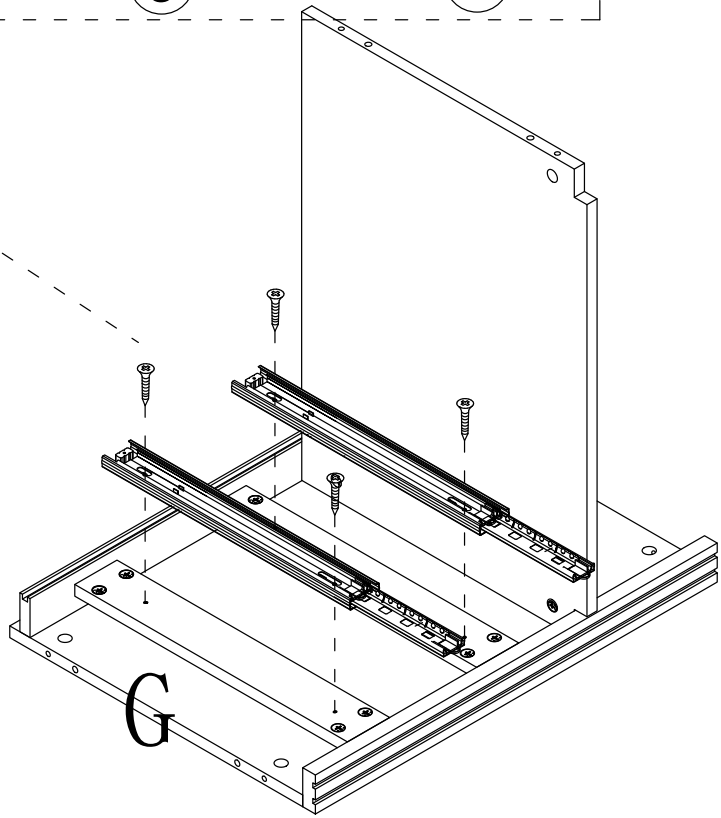
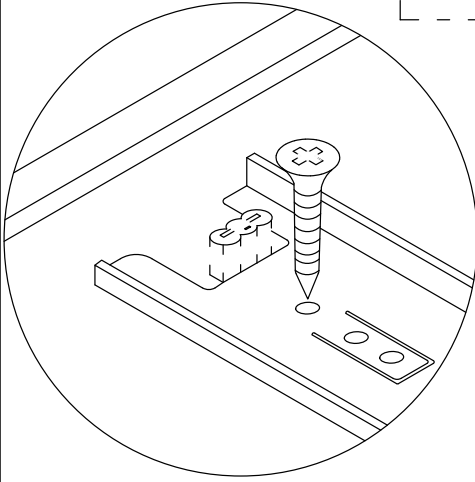
Step 18



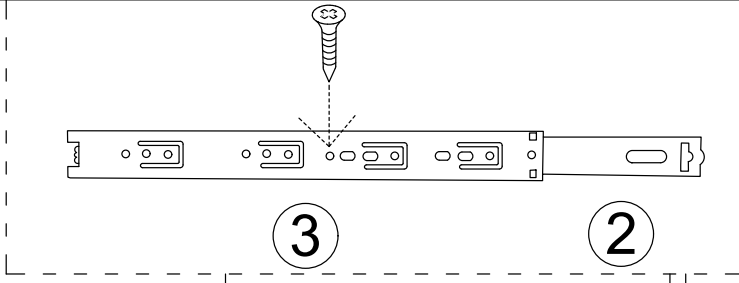
# Step 19



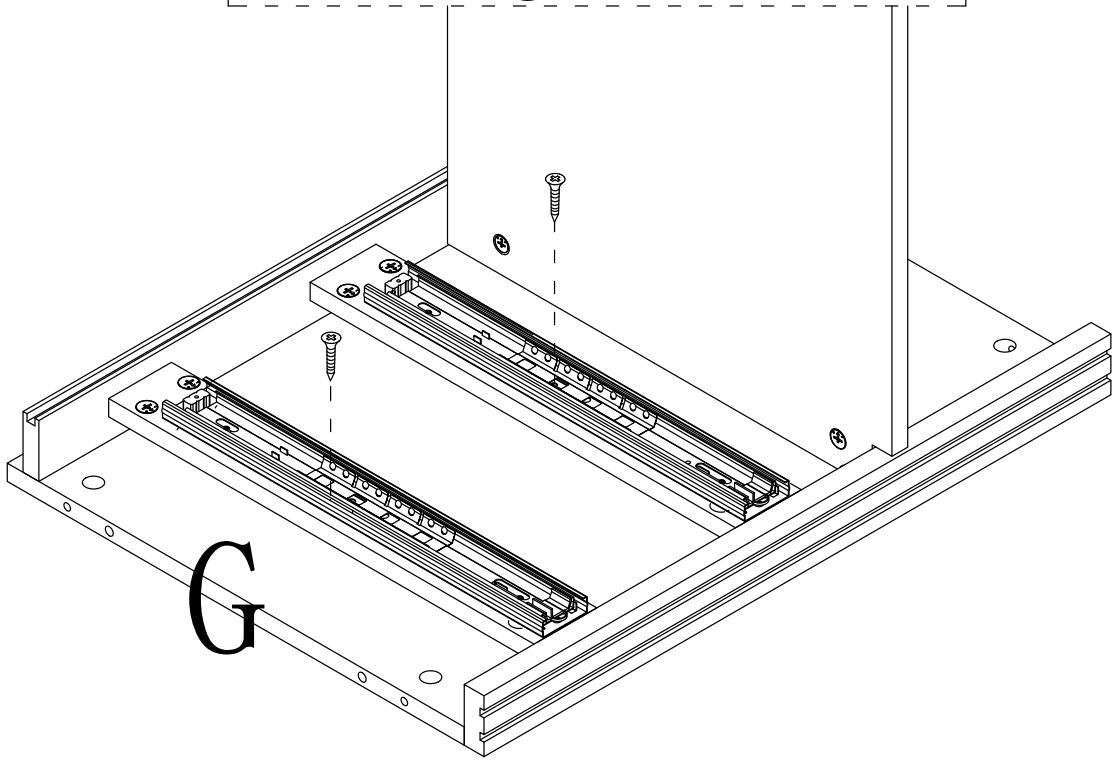
- 5 x2
- x4



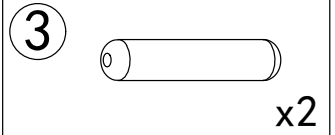
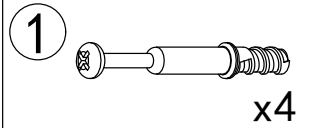
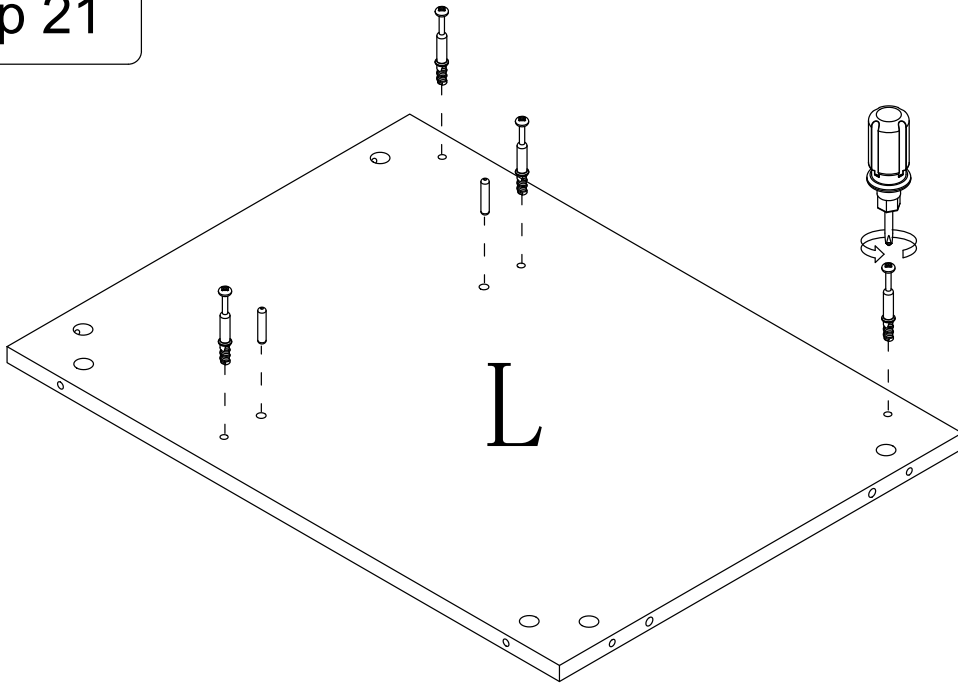
# Step 20



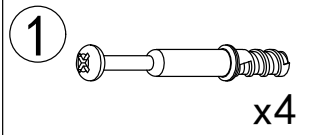
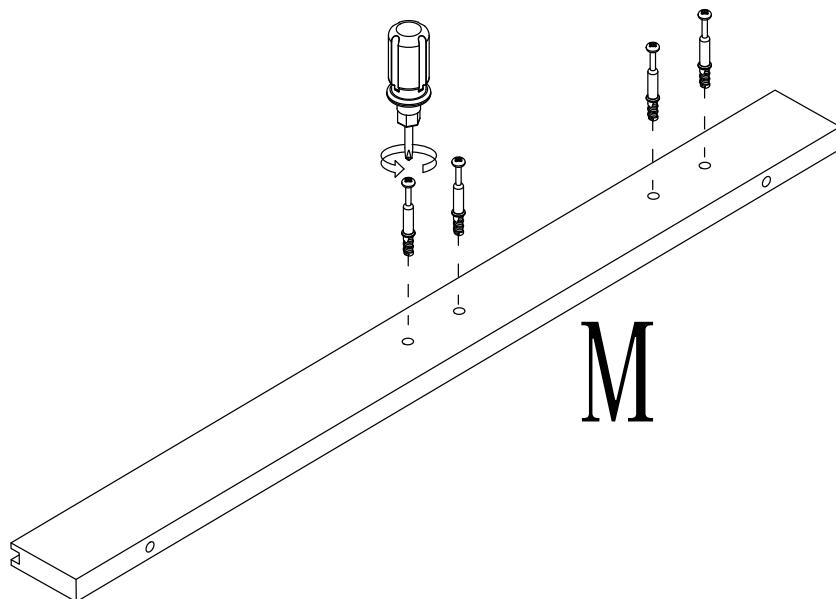
- 5 x2




Step 21

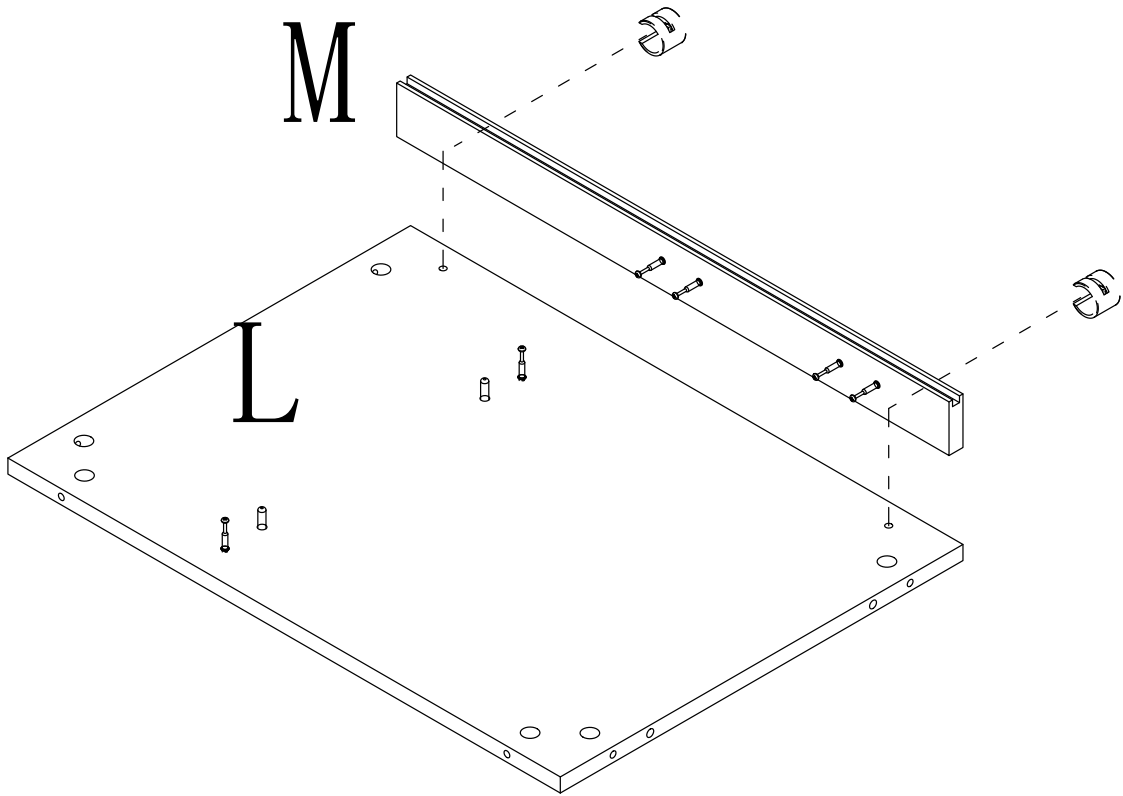


Step 22




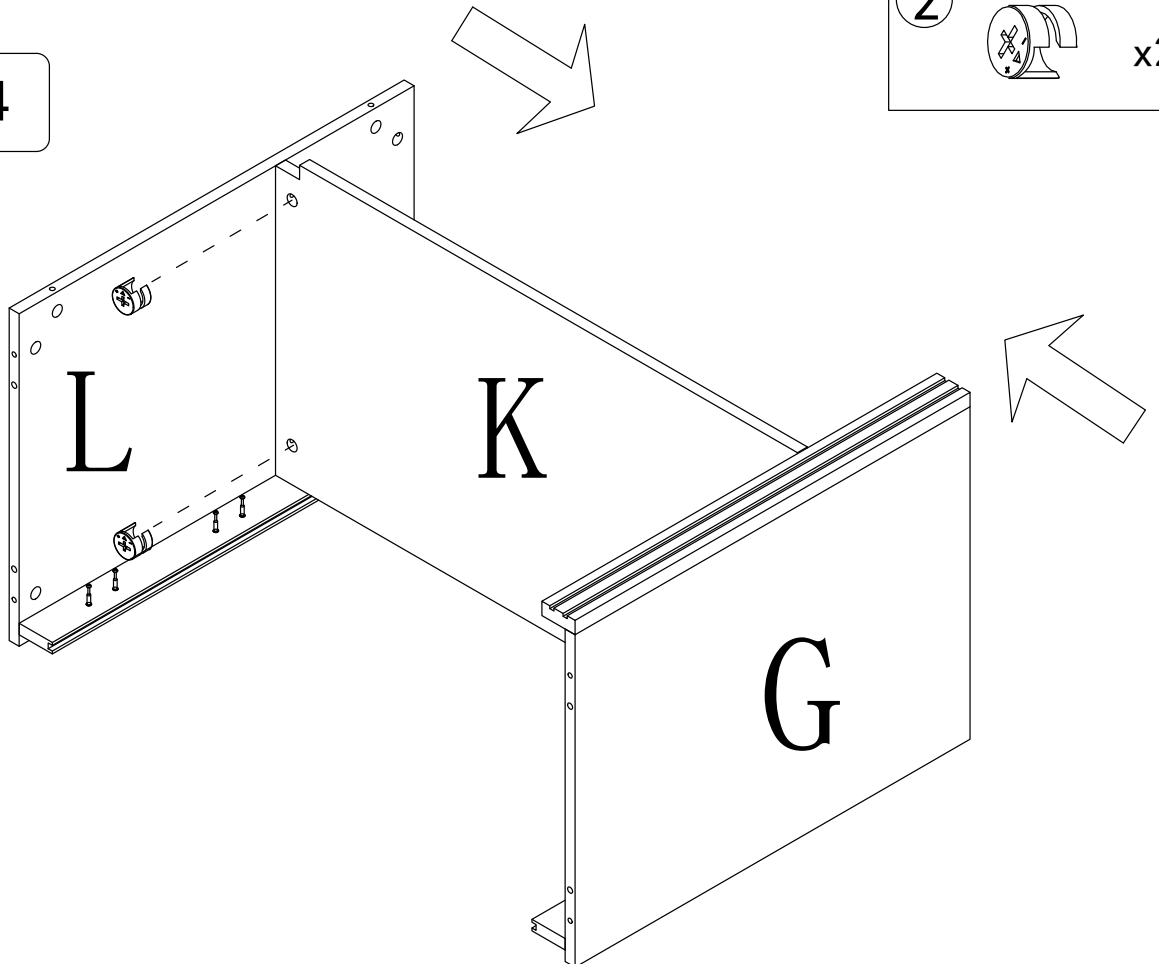
Step 23

2  x2

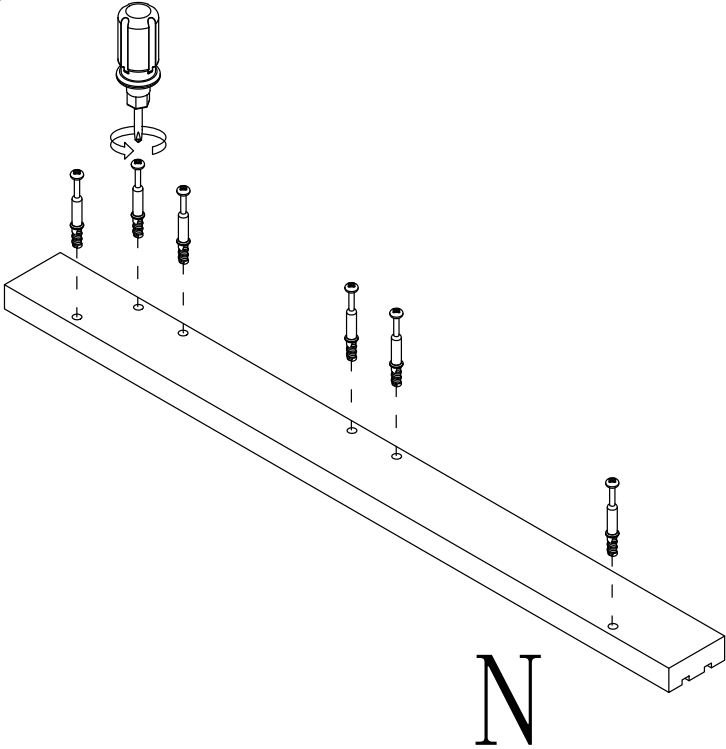
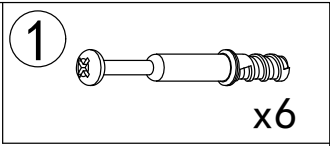


Step 24

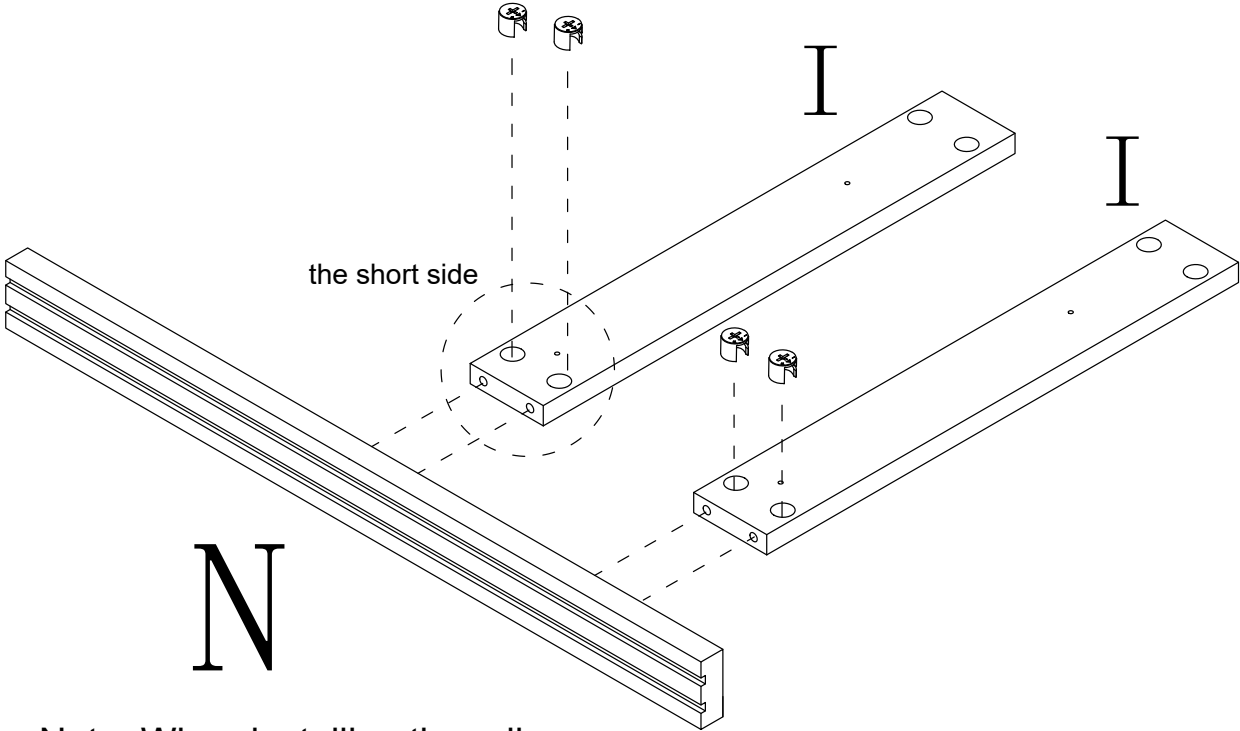
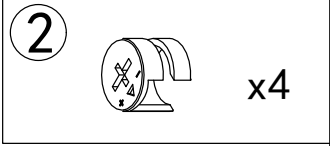
2  x2



# Step 25

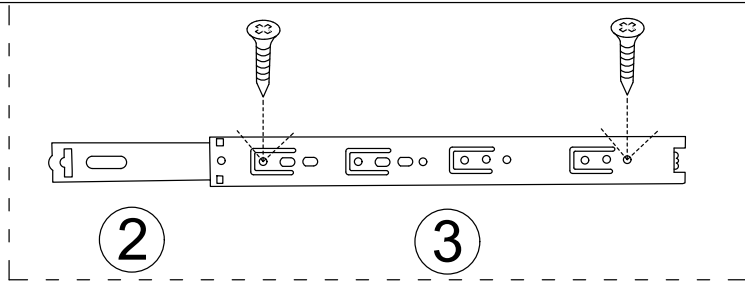


# Step 26

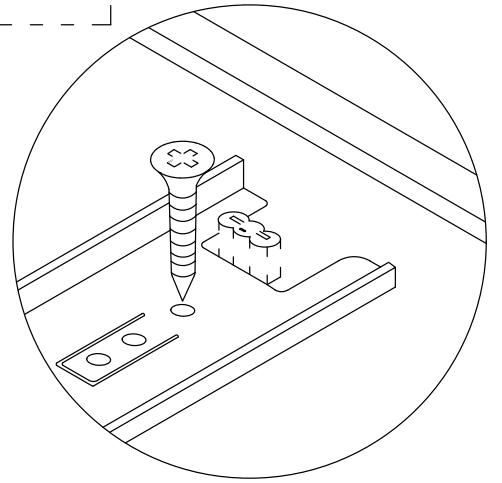
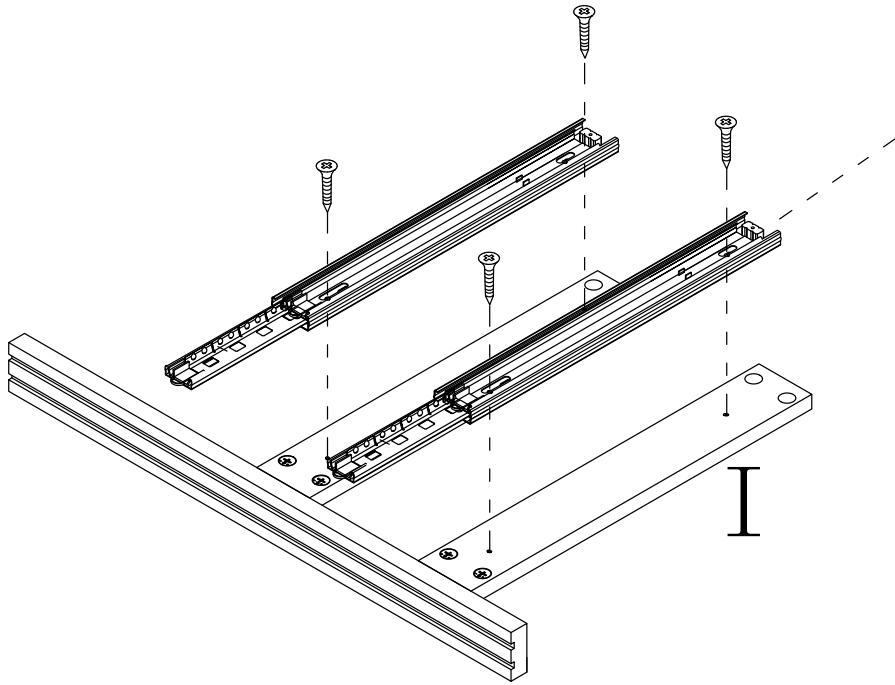


Note: When installing the rails, ensure the short side of the guide holes faces outward.

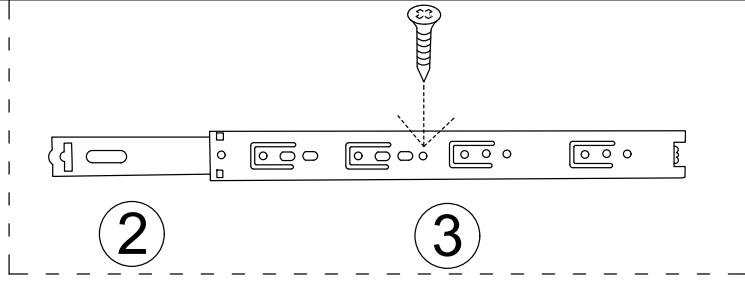
# Step 27



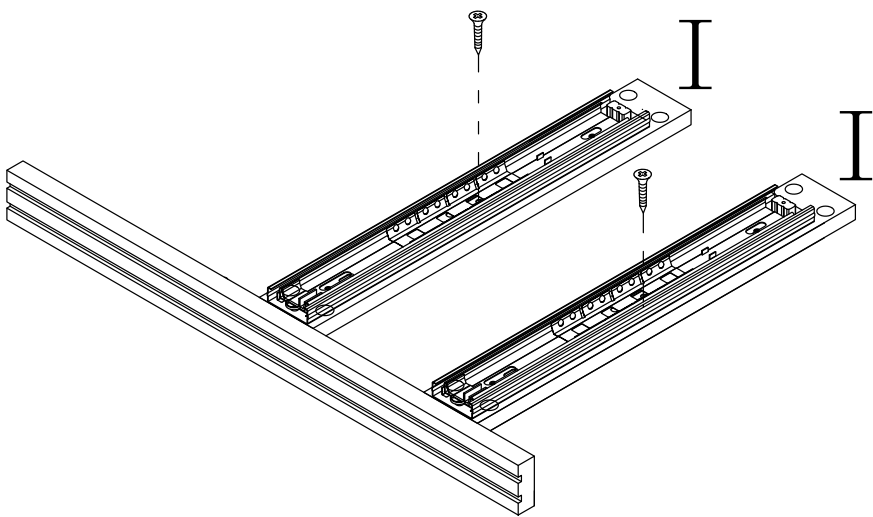
- 5 x2
- 5 x4



# Step 28



- 5 x2

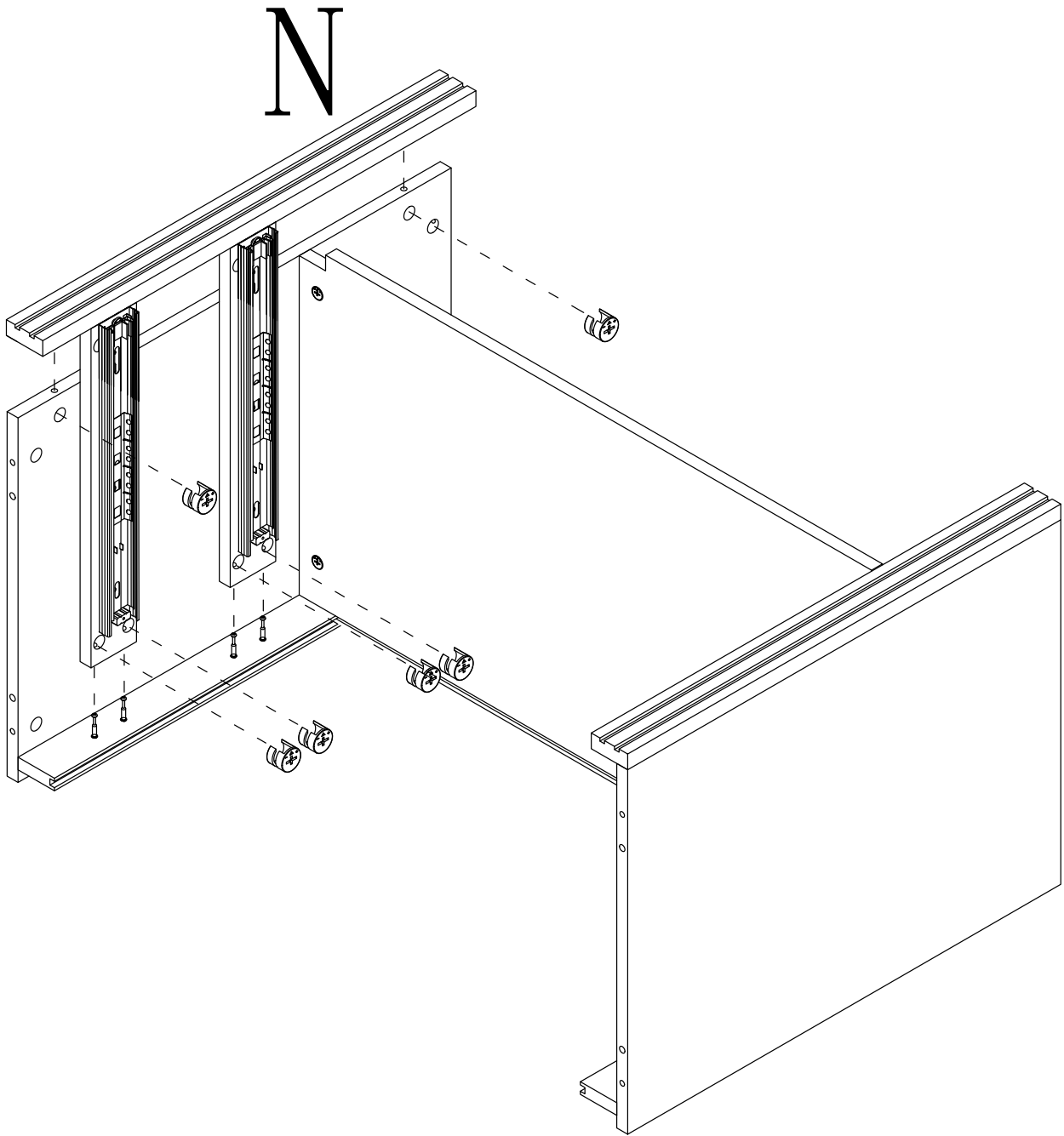


Step 29

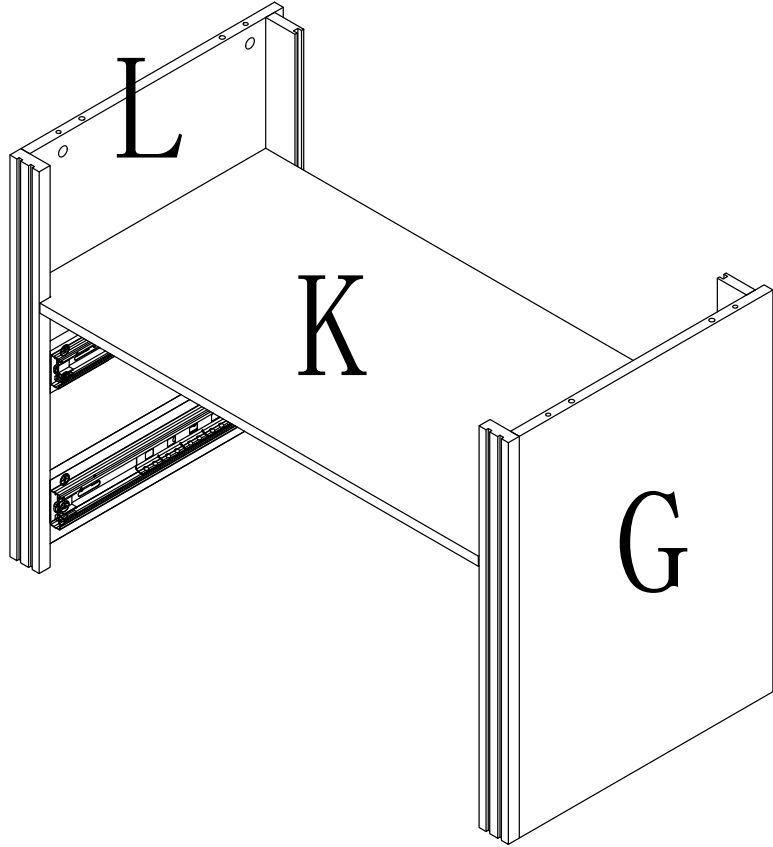
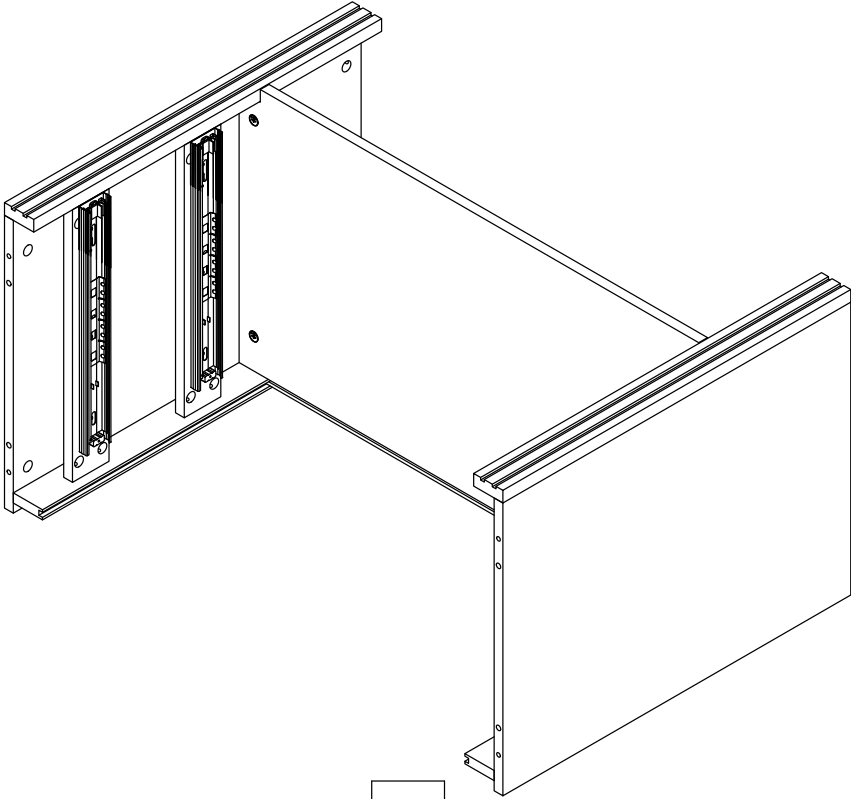
2




x6

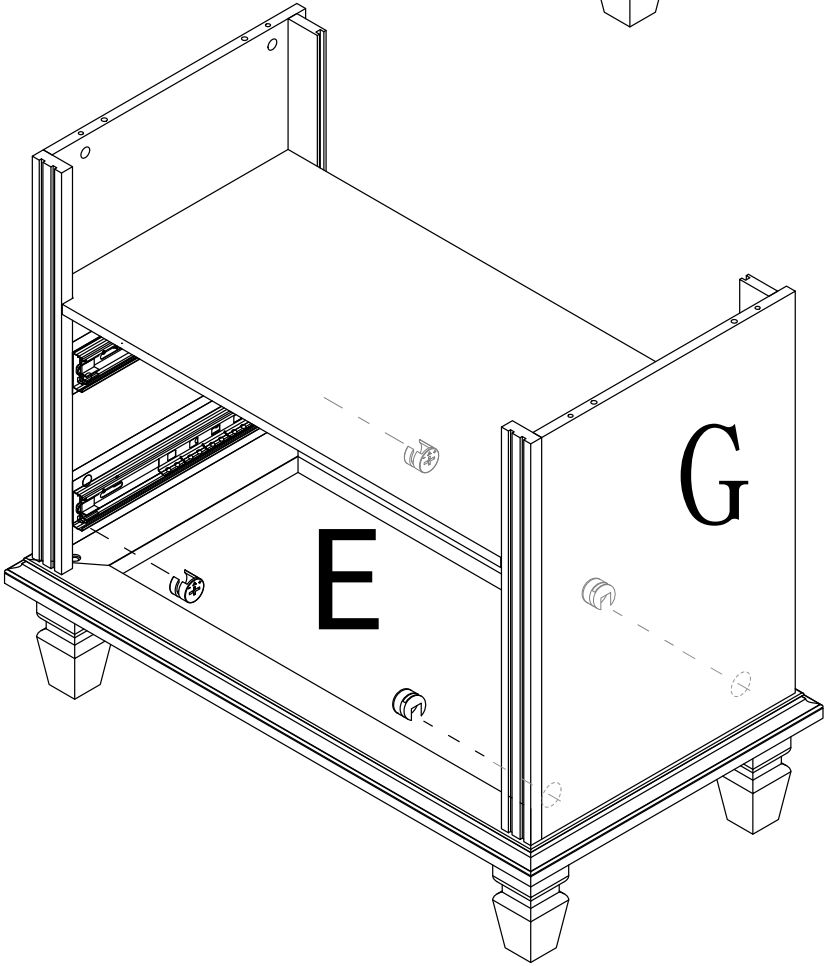
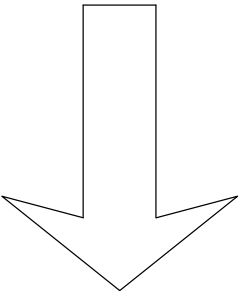
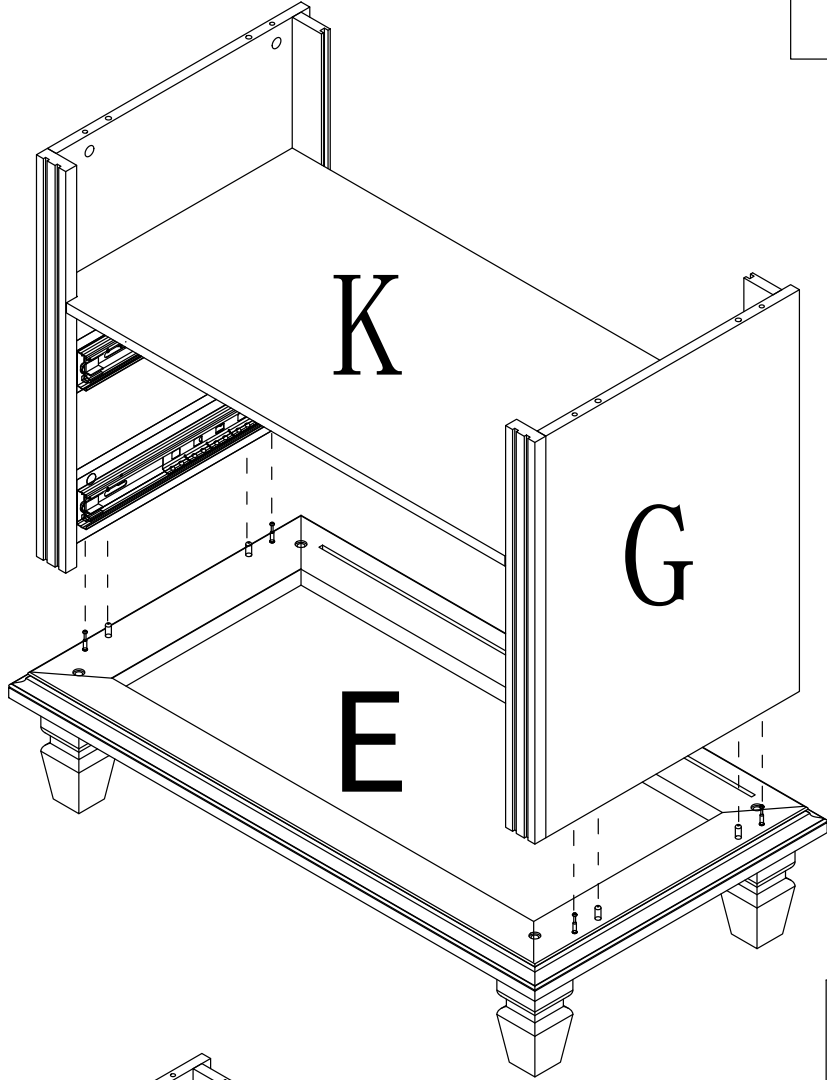


Step 30

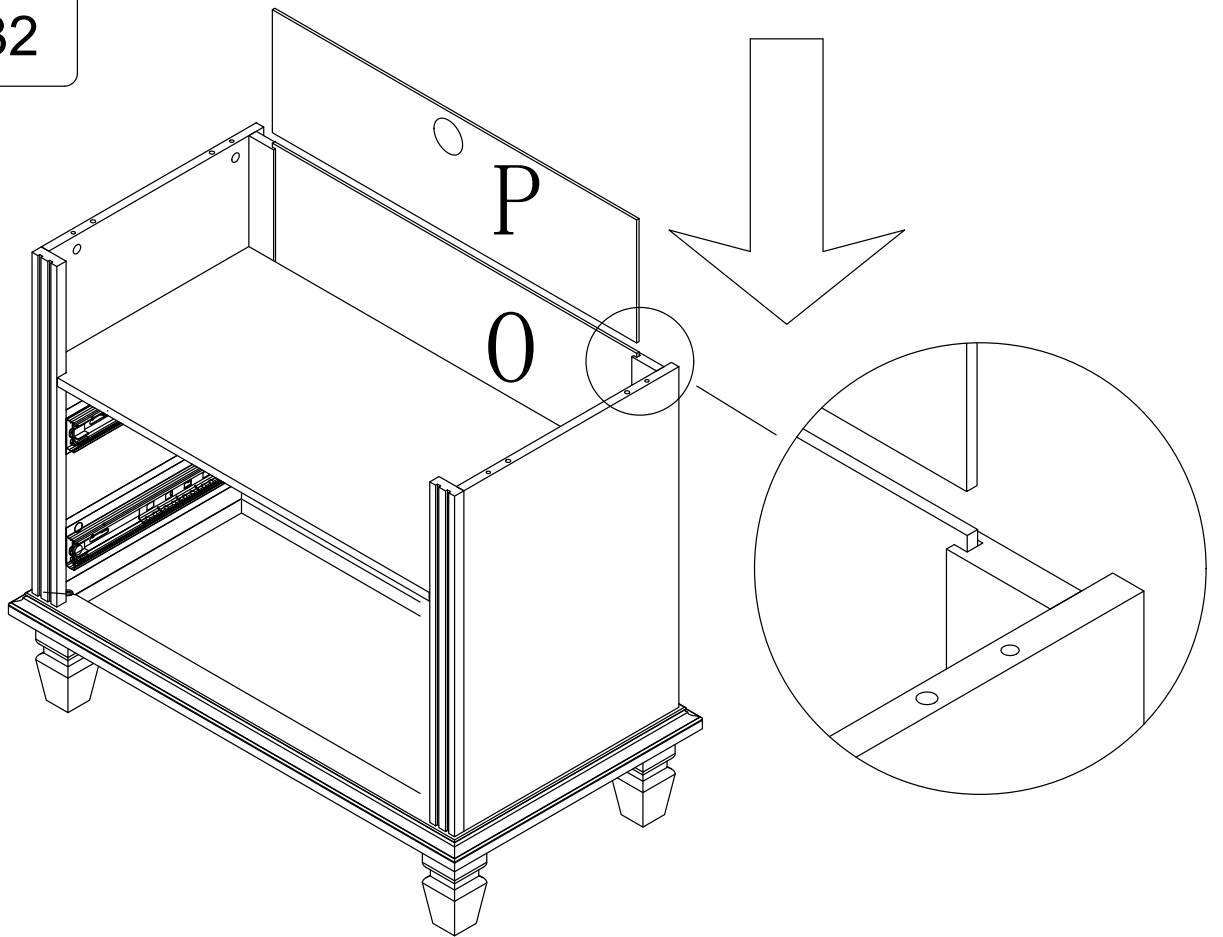


Step 31

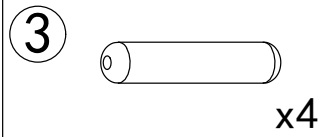
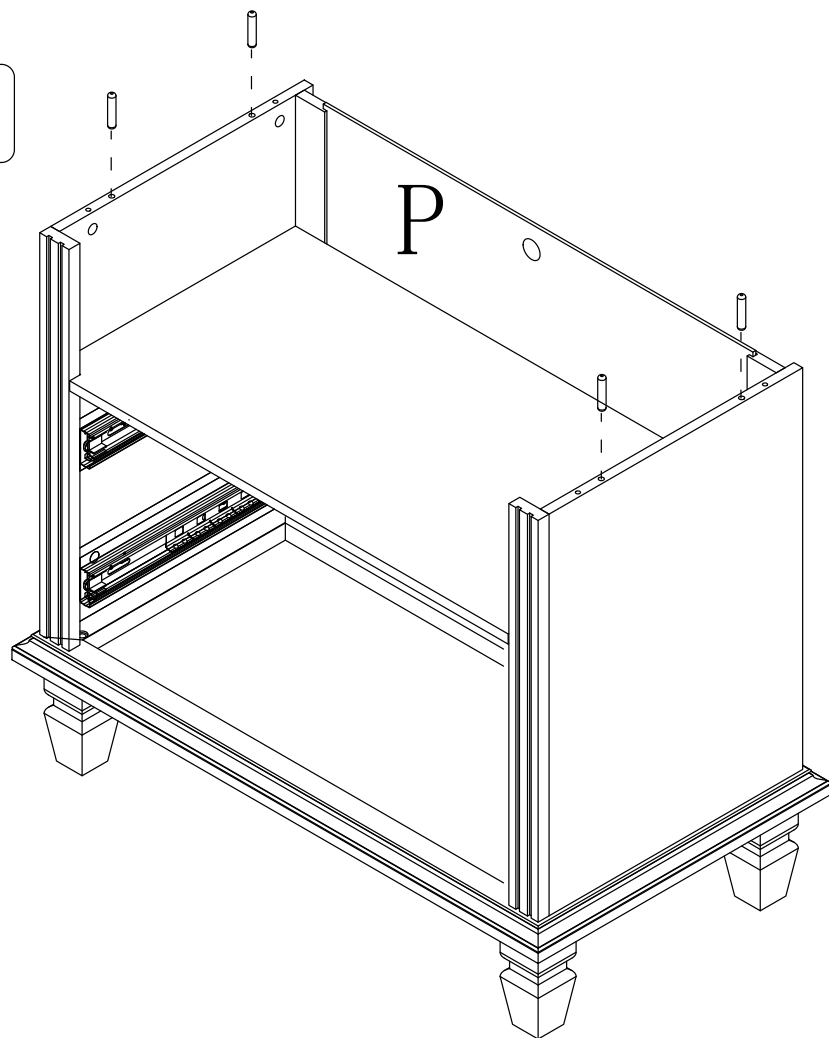
2  x4



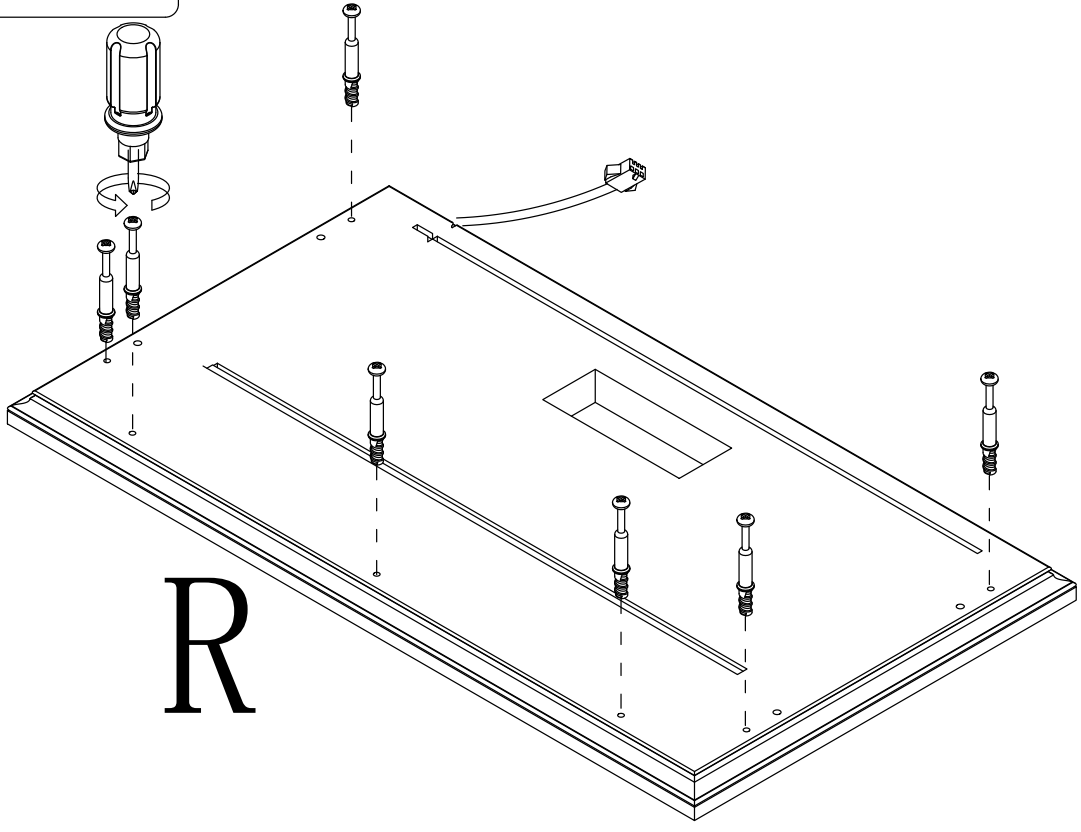
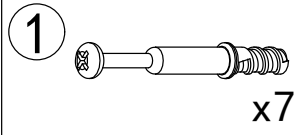
Step 32



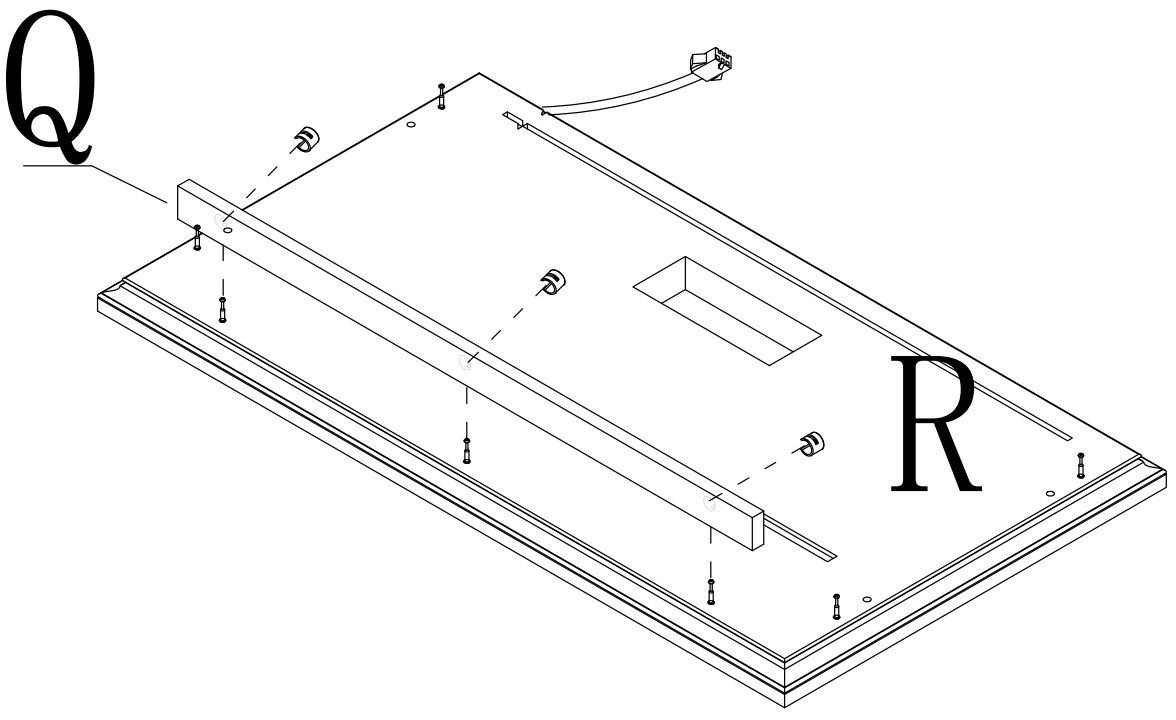
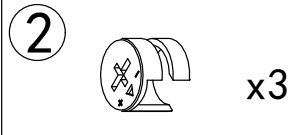
Step 33




Step 34

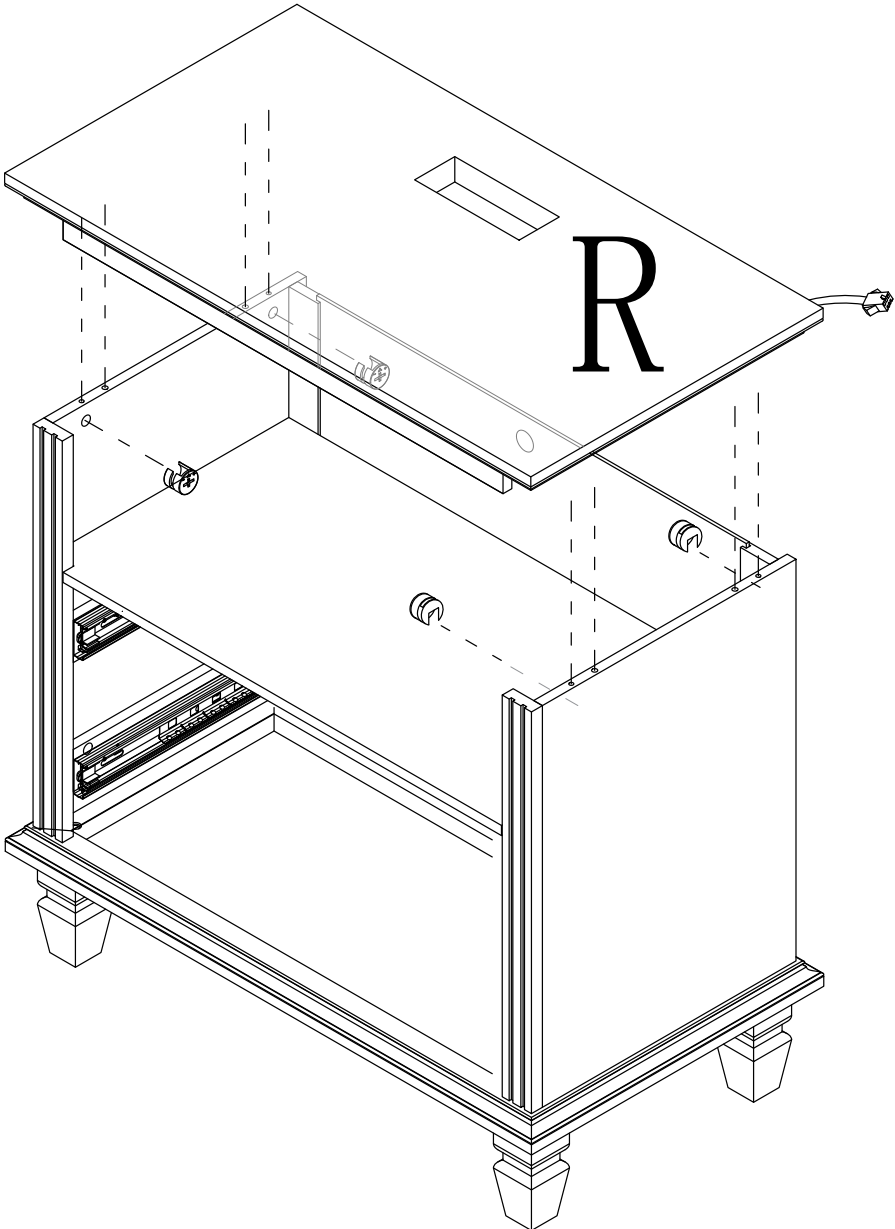


Step 35



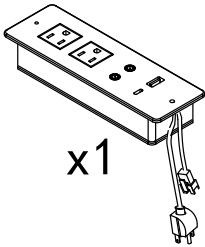
Step 36

2  x4

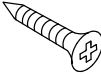


Step 37

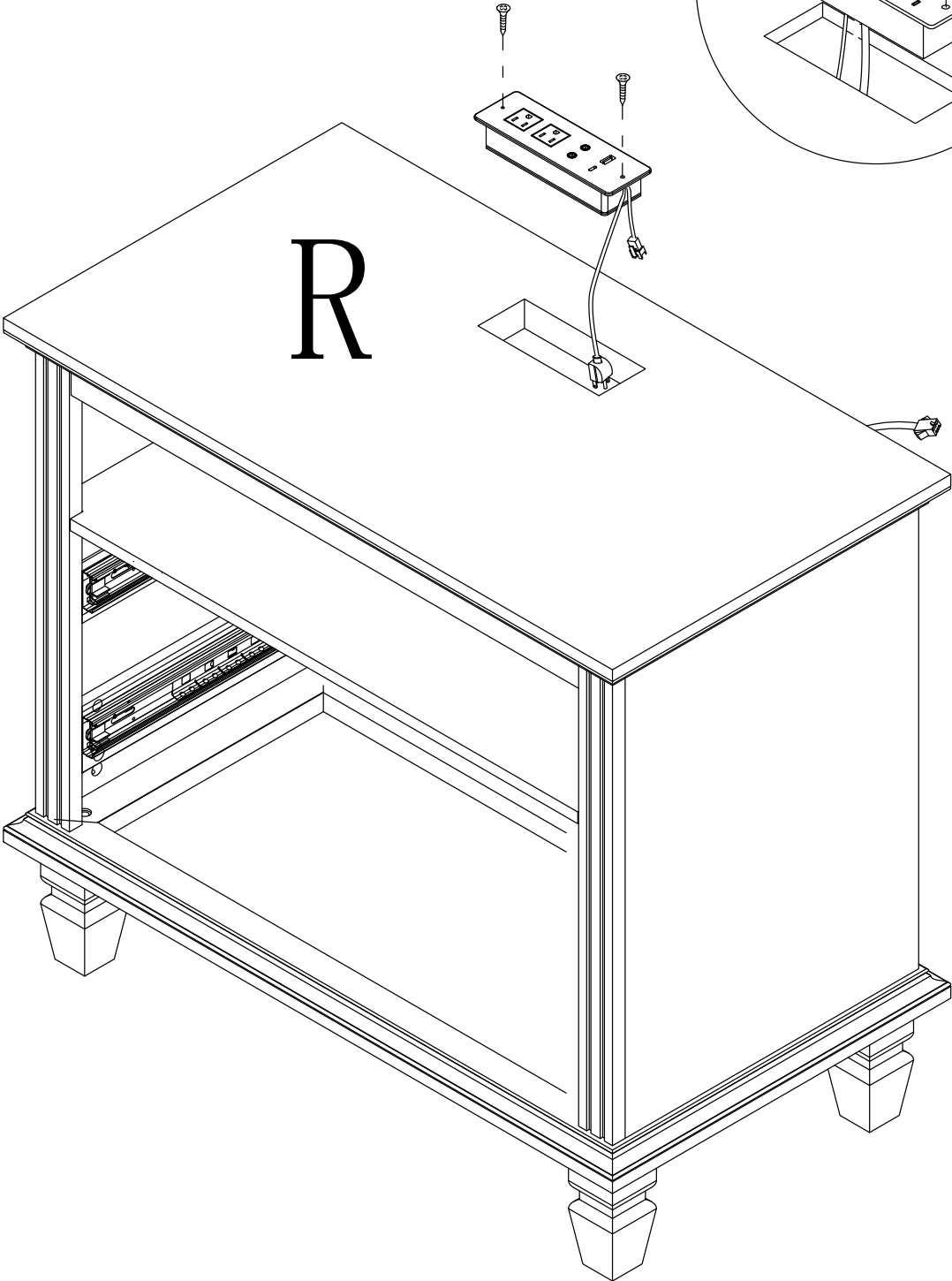
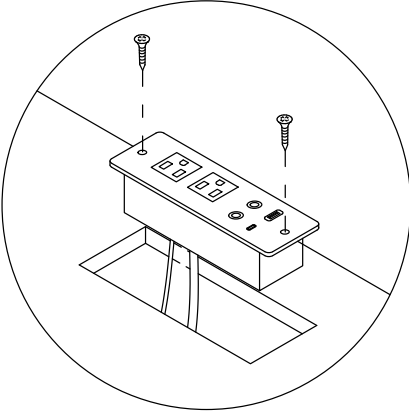
8



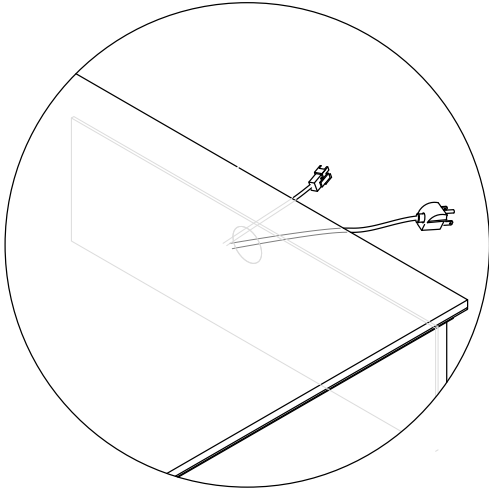
x1



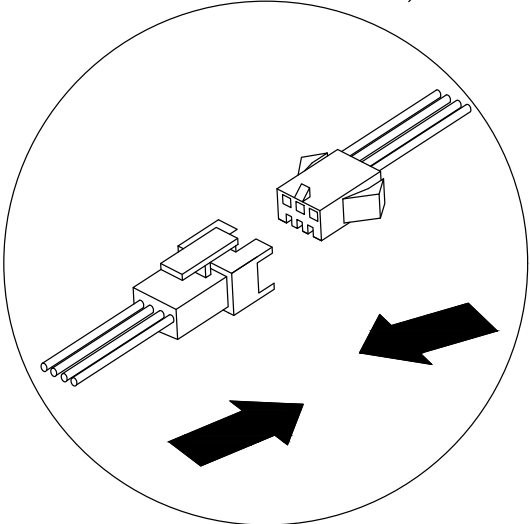
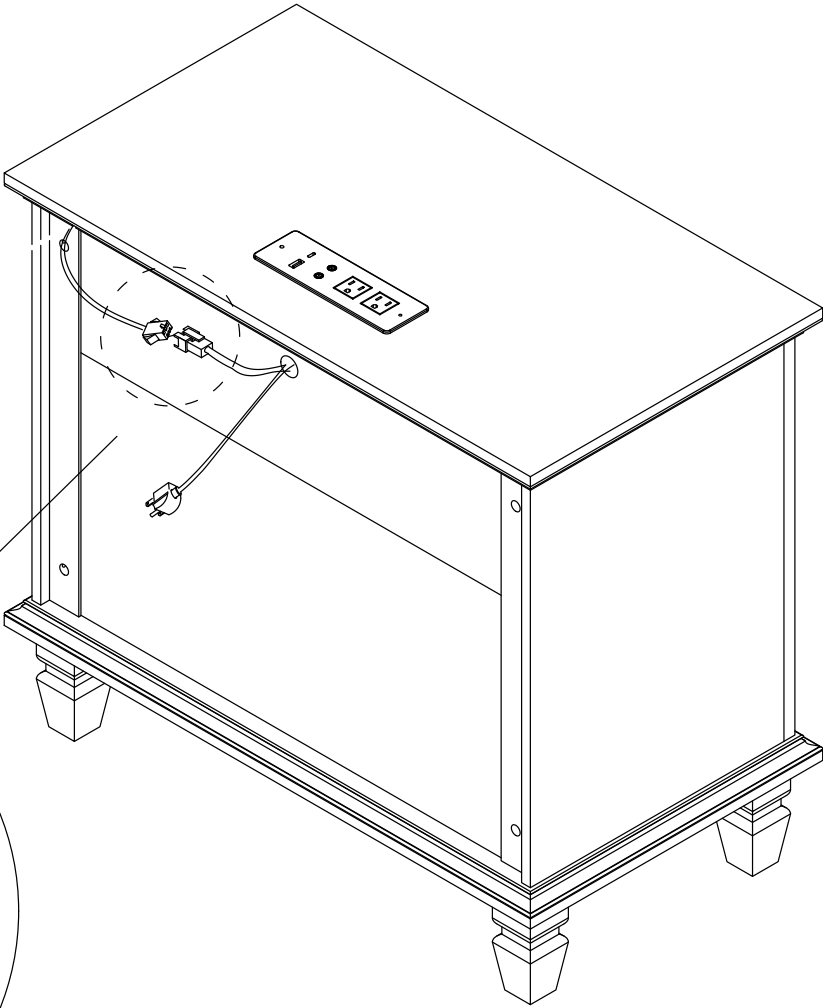
x2



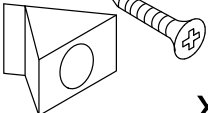
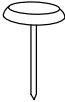
Step 38

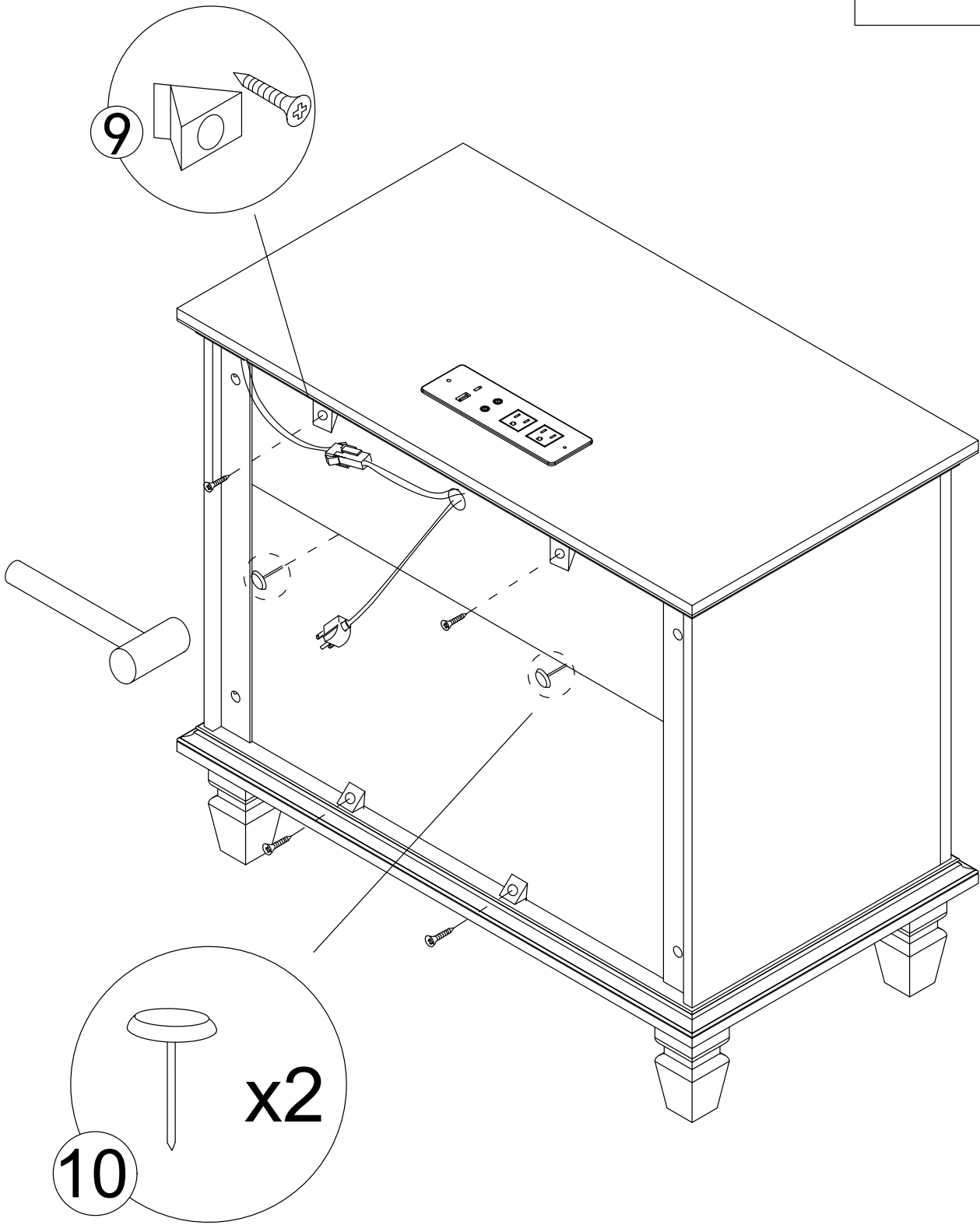


Thread the lamp power cord through the hole

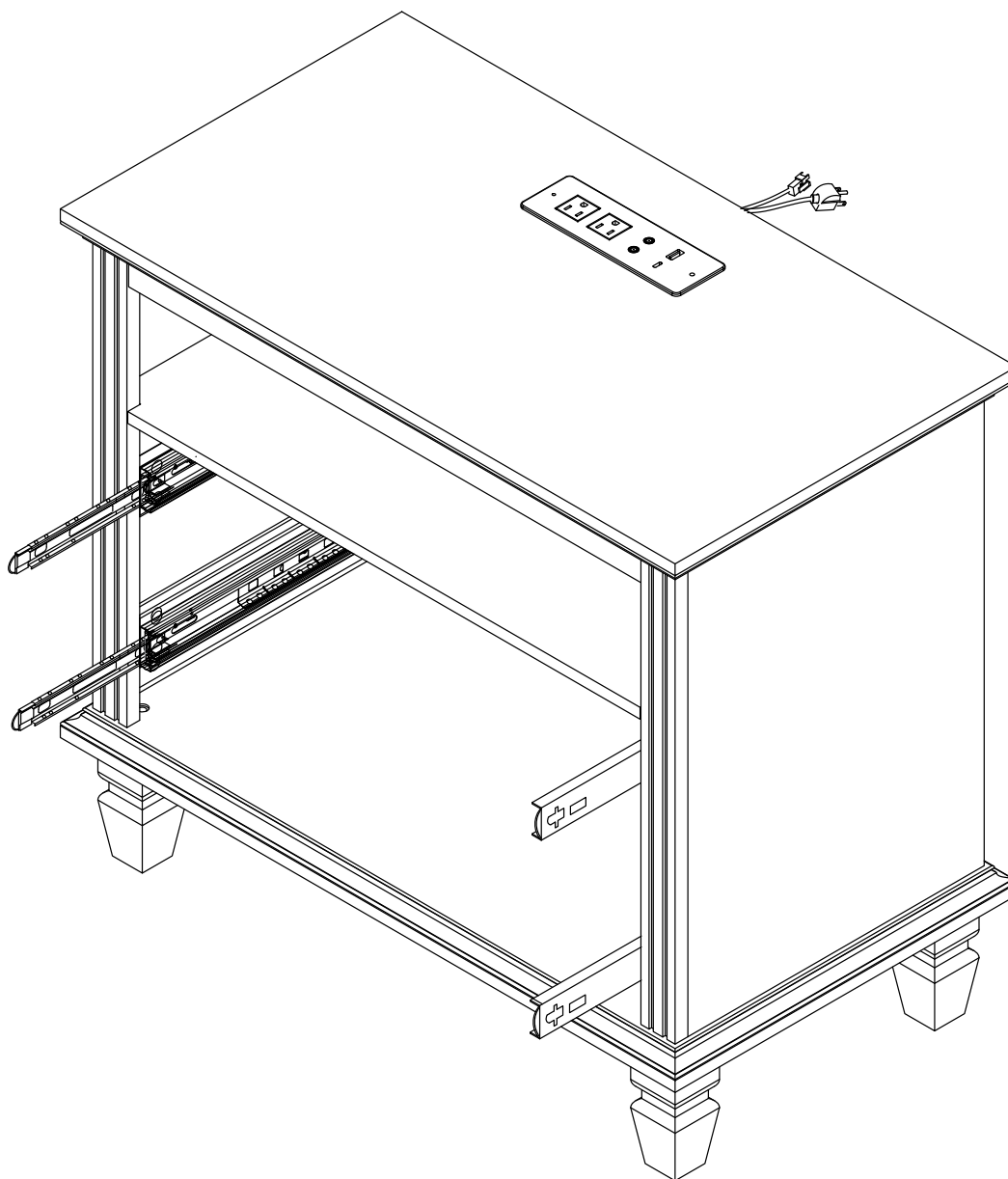


Step 39

- 9  x4
- 10  x2

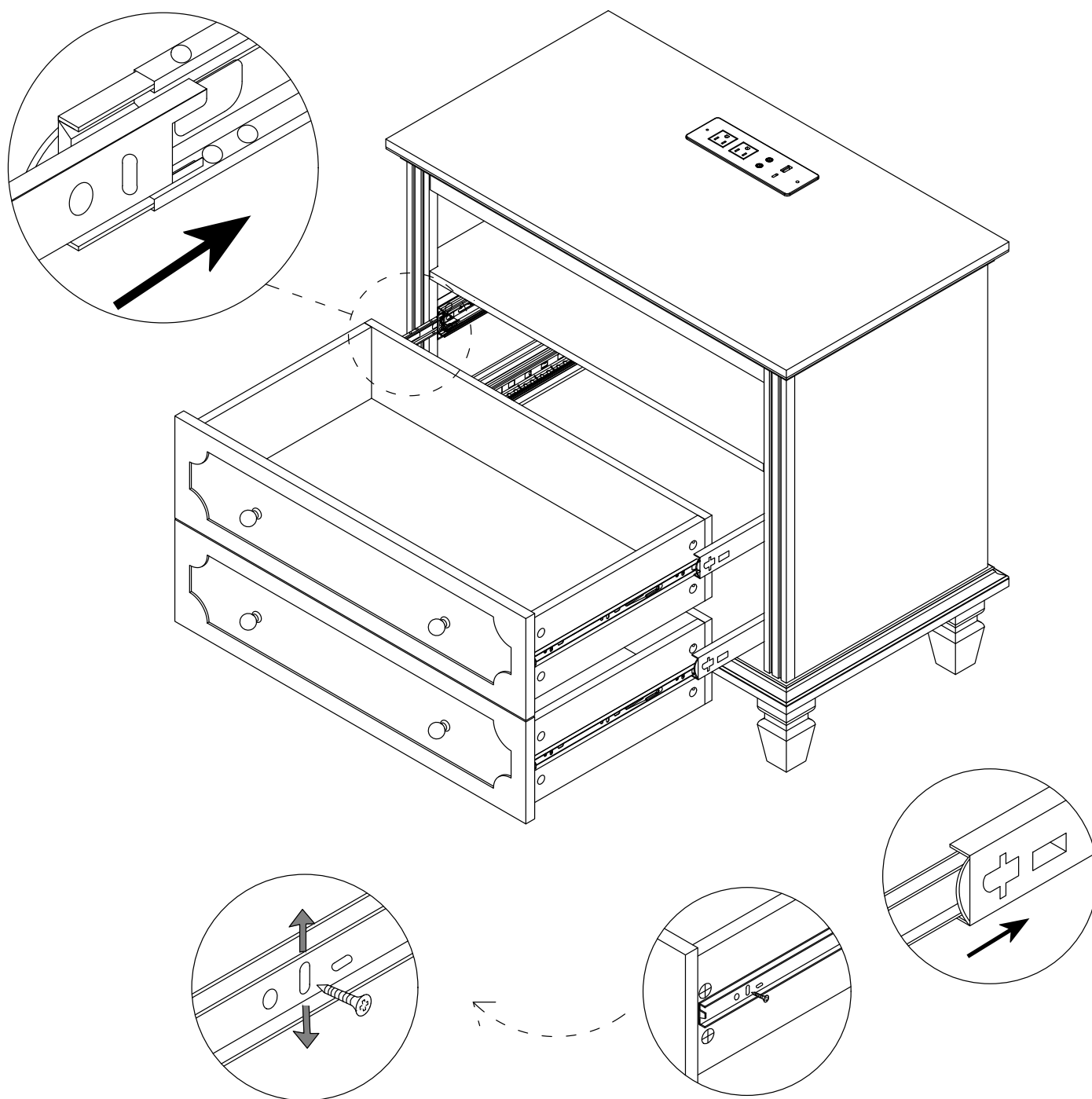


## Step 40



As shown, When installing the drawer,  
pull the guide rail out first, Slide beads are also pulled out.

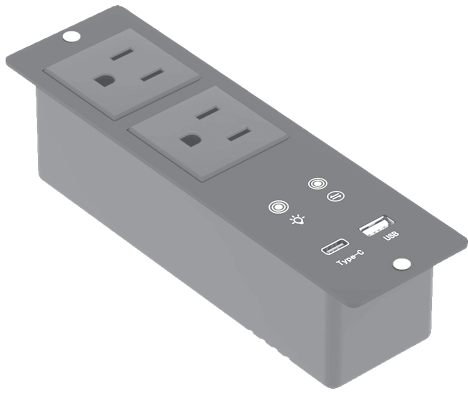
## Step 41



If a large gap is found after installing the drawer the slide rail can be moved up and down to adjust the gap

Step 42





## User's Guide

Thank you for purchasing this product.

To use this product, please connect it to a power source.

Please use if the product works normally after connecting to power.

## Introduction

The box is an intelligent controller. It has 1 USB output port 1 Type-c port and can distribute the current output up to 5V DC-2A. With 2 touch buttons, it can turn ON/OFF the light, change light colors, and adjust the light luminance.

## Operation



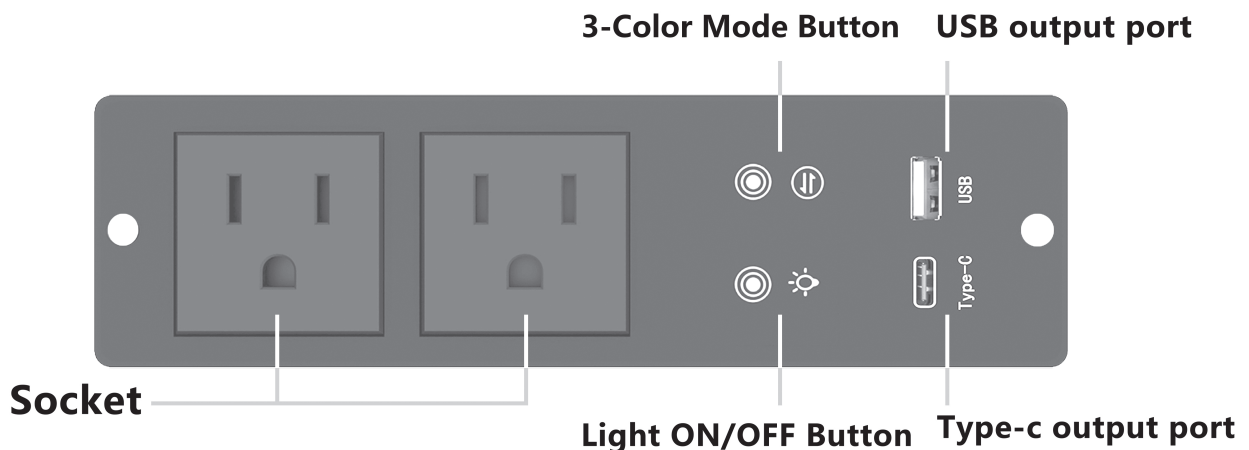
This touch button controls the on/off of the light

Short touch -> lighting on -> short touch -> lighting off.



This touch button controls the color switching and brightness adjustment of the light

1. It can only be used when the light is on
2. Offering 3 different colors to choose from. Simply tap to cycle through the options.
3. Long touch -> adjust the luminance.



## ATTENTION PLEASE

1. If there is no touch response suddenly, Re-plug the power to reset the touch static electricity.
2. If you have any questions when installing, please feel free to contact us. Thank you.