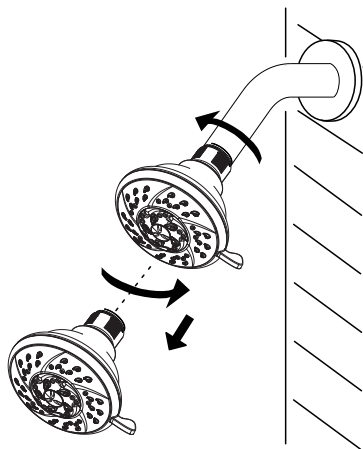


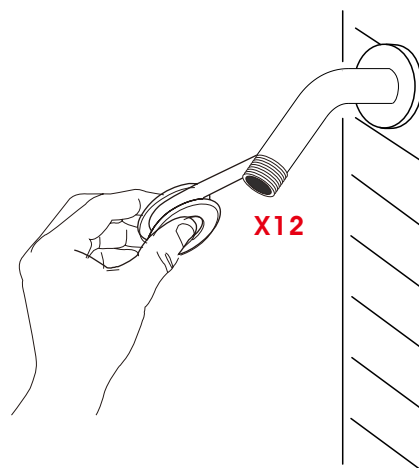
1

Remove the original shower head and clean shower arm.



2

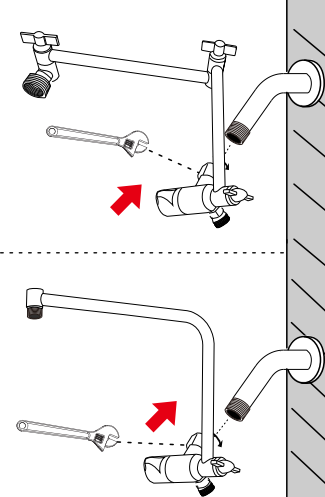
Wrap 12 turns of teflon tape.



3

Tighten free spinning nut clockwise with wrench. (Prevent scratch with cloth)

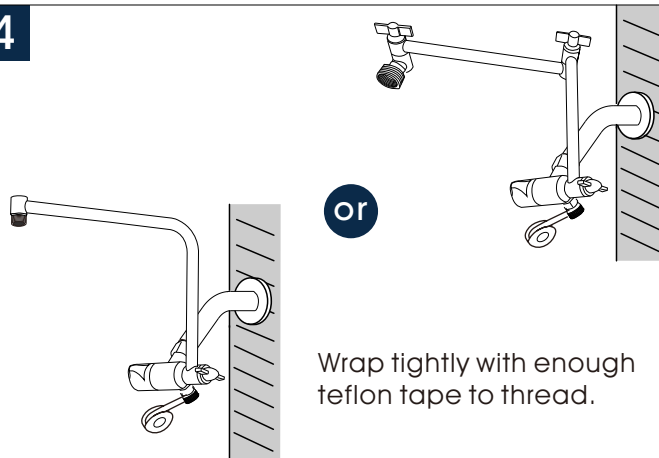
No need black washer on 3-way diverter



4

or

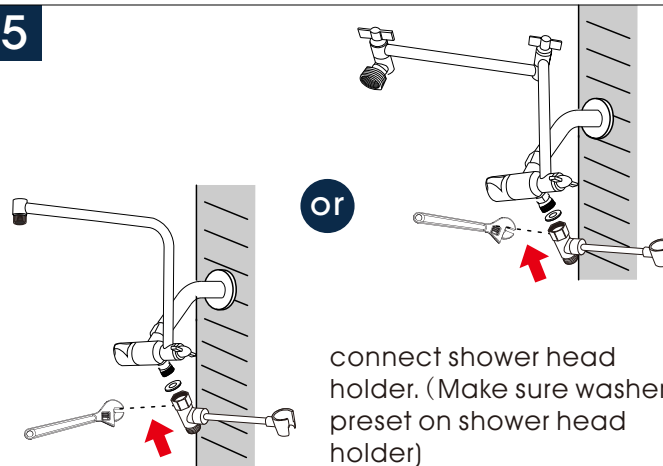
Wrap tightly with enough teflon tape to thread.



5

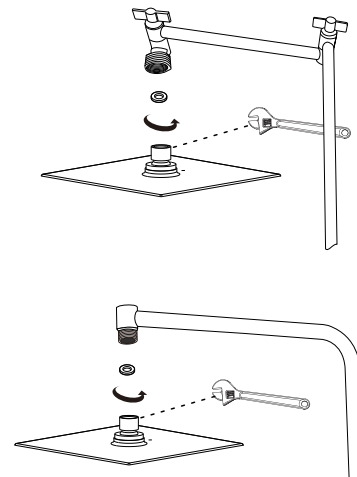
or

connect shower head holder. (Make sure washer preset on shower head holder)



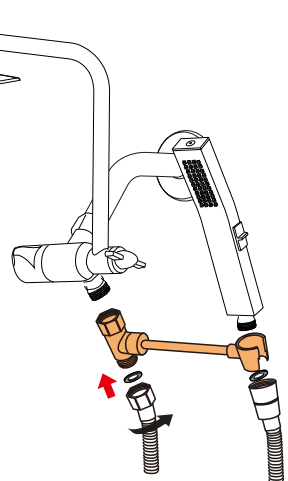
6

Put washer on rainfall shower head and connect it with shower arm. Tighten the rainfall shower head clockwise with wrench. (Prevent scratch with cloth)



7

Connect hex nut of shower hose to shower head holder, connect conical nut of shower hose to shower head. (The hex nut doesn't fit into the bracket.) Some shower hoses use two conical nuts that do not affect the performance of use.



Turn on water supply and check all threaded connections for leaks. If leaks occur, tighten connection with an Adjustable Wrench or by hand. Check Diverter for proper operation by turning the side handle backward and forward to activate the Fixed or Hand Showers.

Must use teflon tape to seal this connector, or it will leak.

! NOTE

! NOTE

Trouble shooting on the back