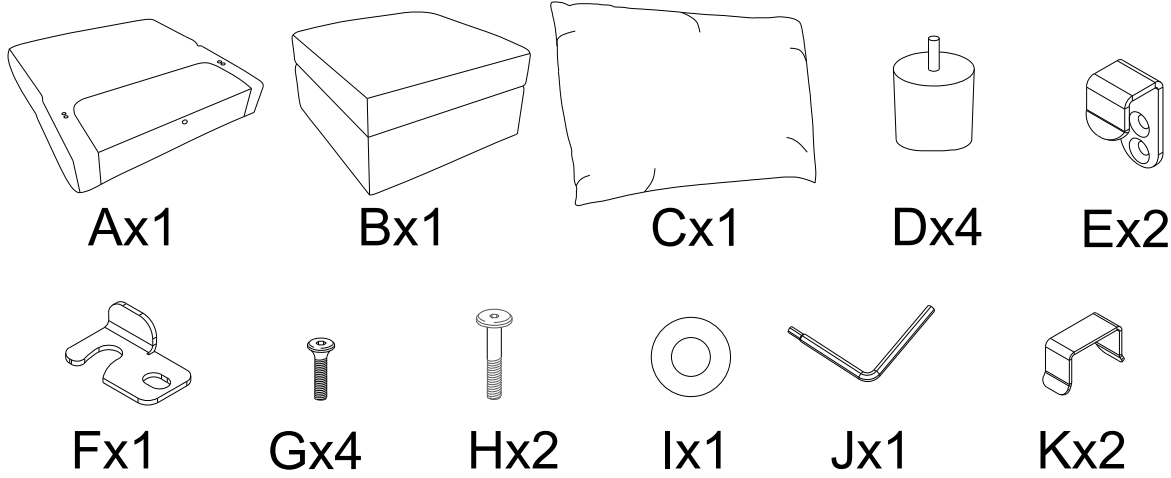


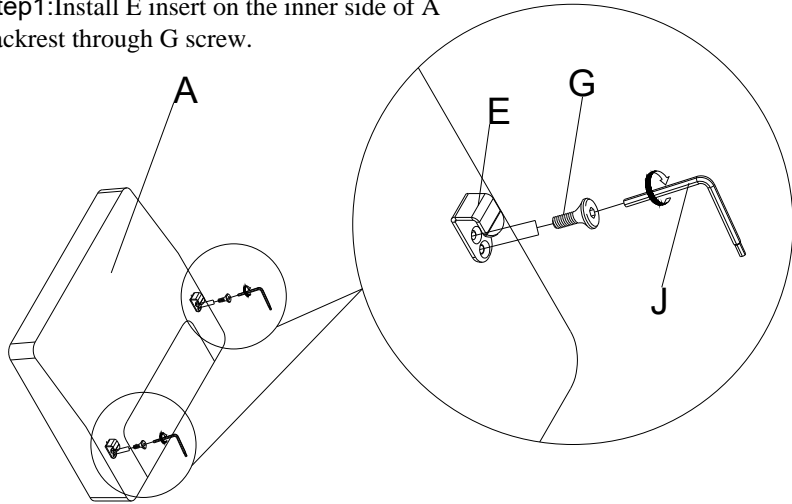
# Parts List

- ① Please check the parts carefully after receiving the product.
- ② Ensure that the parts are complete before installation.
- ③ If any parts is missing or damaged, please contact the seller for after-sales service.



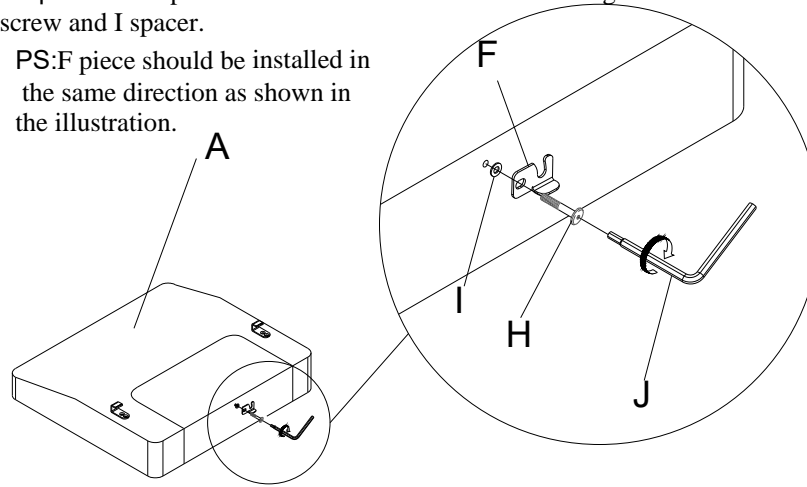
# Installation Instructions

**Step1:** Install E insert on the inner side of A backrest through G screw.

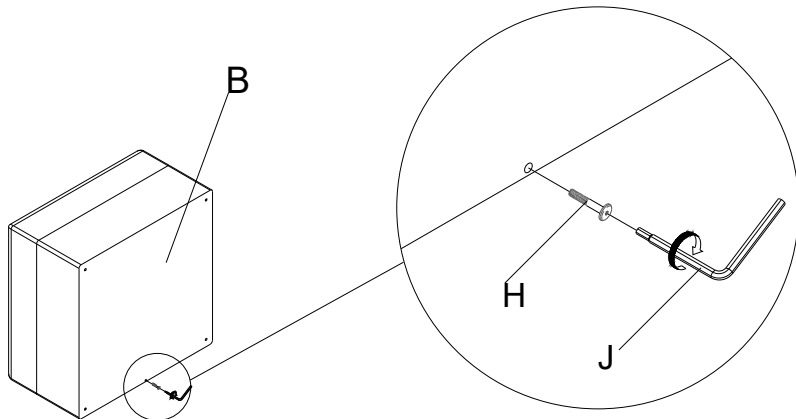


**Step2:** Install F piece on the bottom of A backrest through H screw and I spacer.

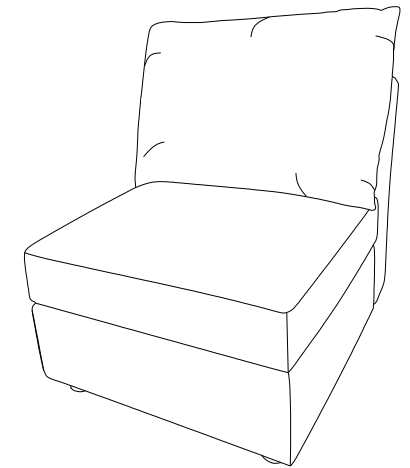
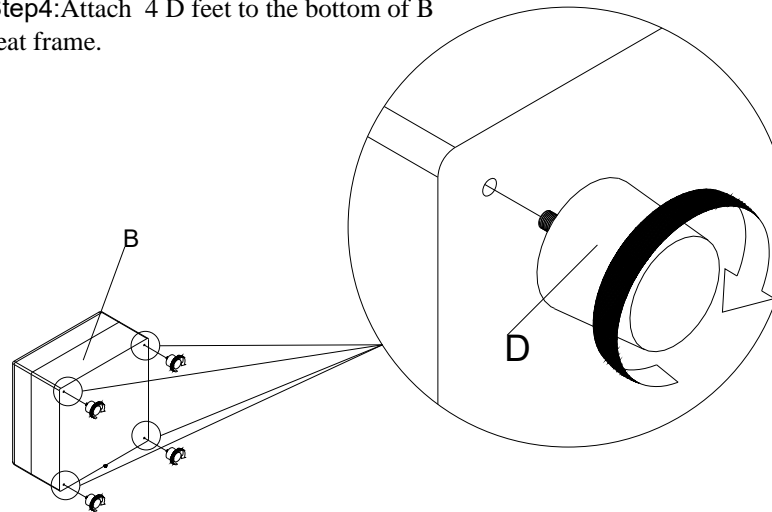
PS: F piece should be installed in the same direction as shown in the illustration.



**Step3:** Install H screw on the rear underside of B seat frame.



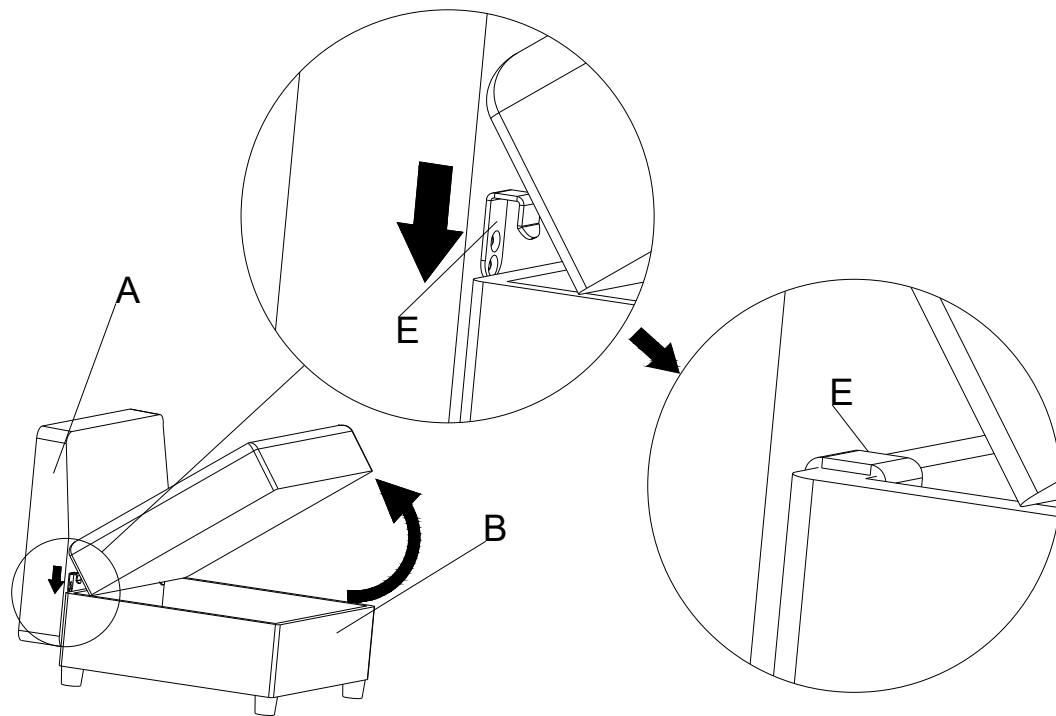
**Step4:** Attach 4 D feet to the bottom of B seat frame.



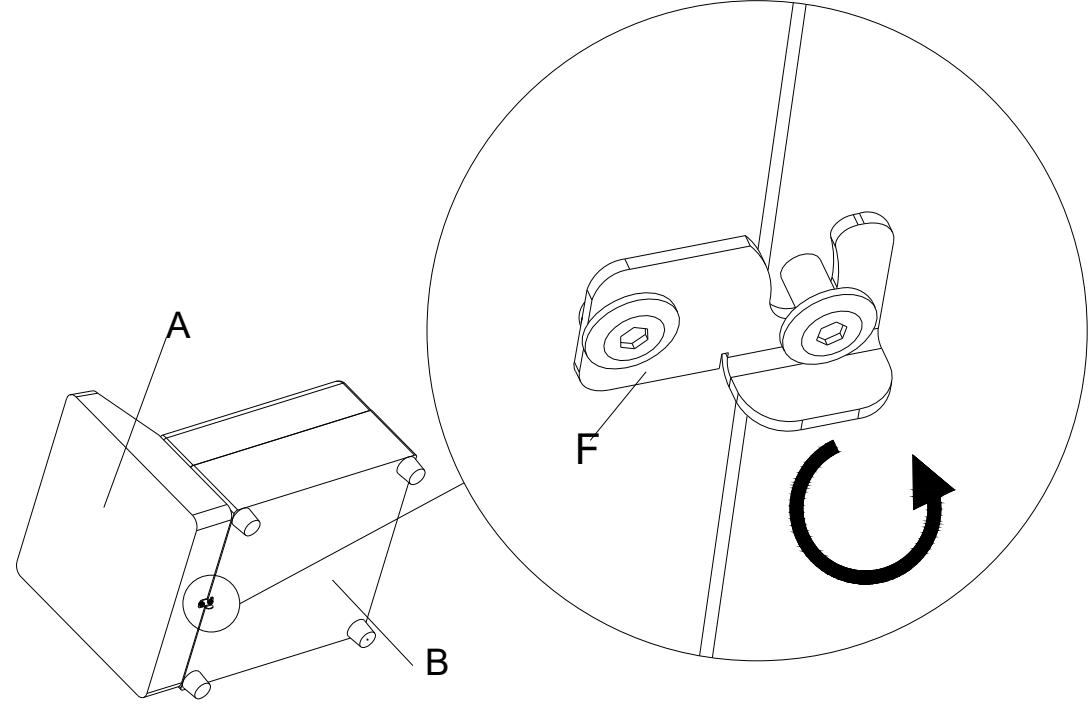
**Product Name:** Armless Sofa  
**Number of installers:** 1 person

- ① To install this product, please read this manual carefully and follow the steps strictly.
- ② Please keep this manual in a safe place for the next installation.

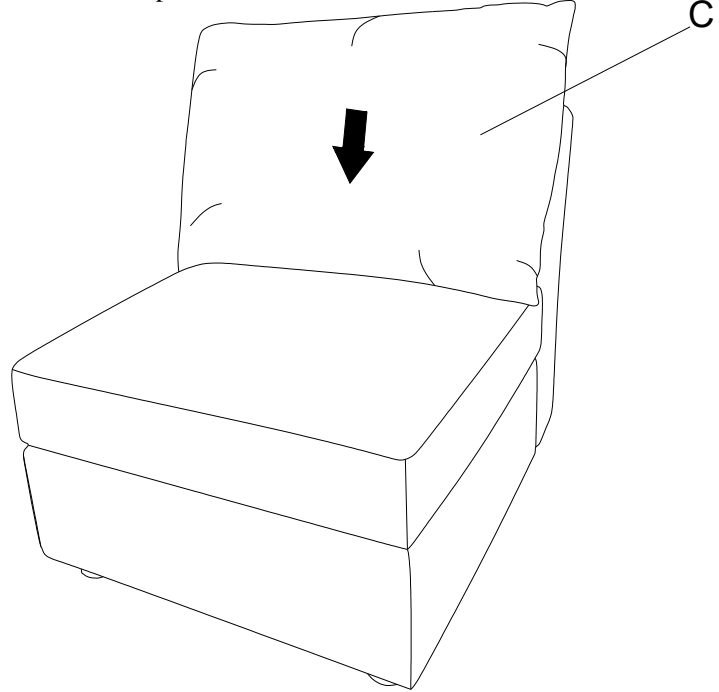
Step5:Open B seat frame to snap in A backrest.



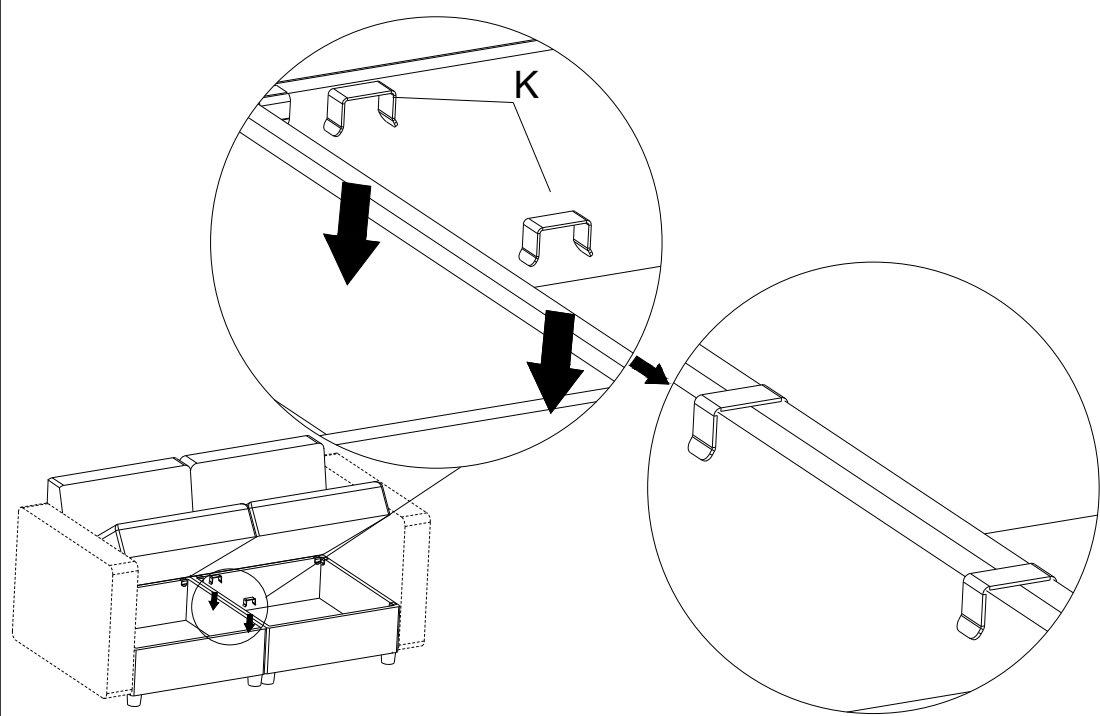
Step6:Lift up the sofa and turn F piece to the position shown in the illustration.



Step7:Putting C back cushion in place.

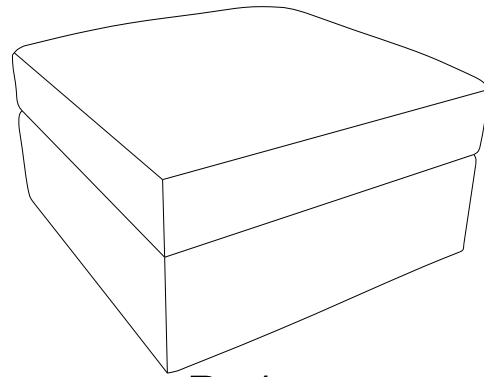


Step8:Multi-seat connection via part K.

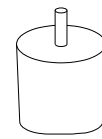


# Parts List

- ①Please check the parts carefully after receiving the product.
- ②Ensure that the parts are complete before installation.
- ③If any parts is missing or damaged, please contact the seller for after-sales service.



Bx1



Dx4



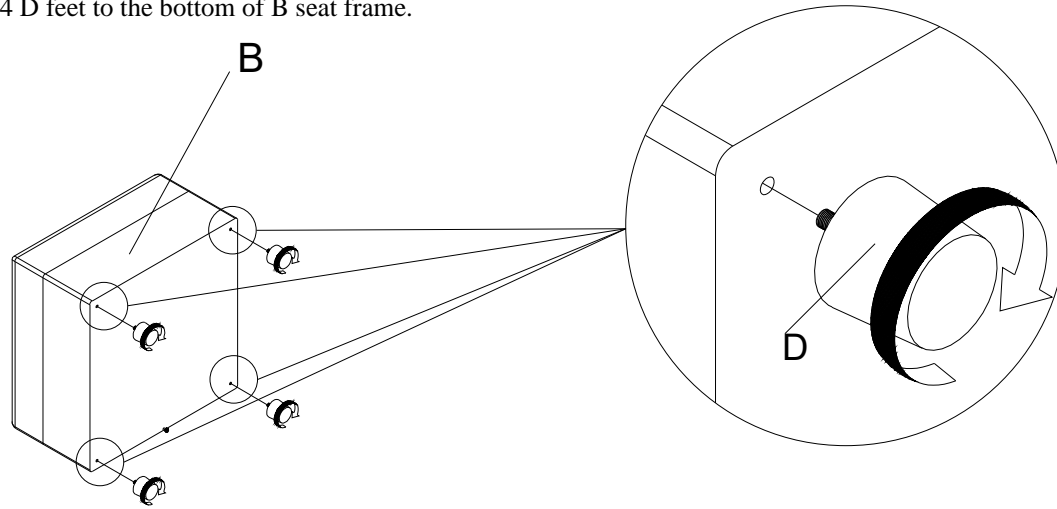
Jx1



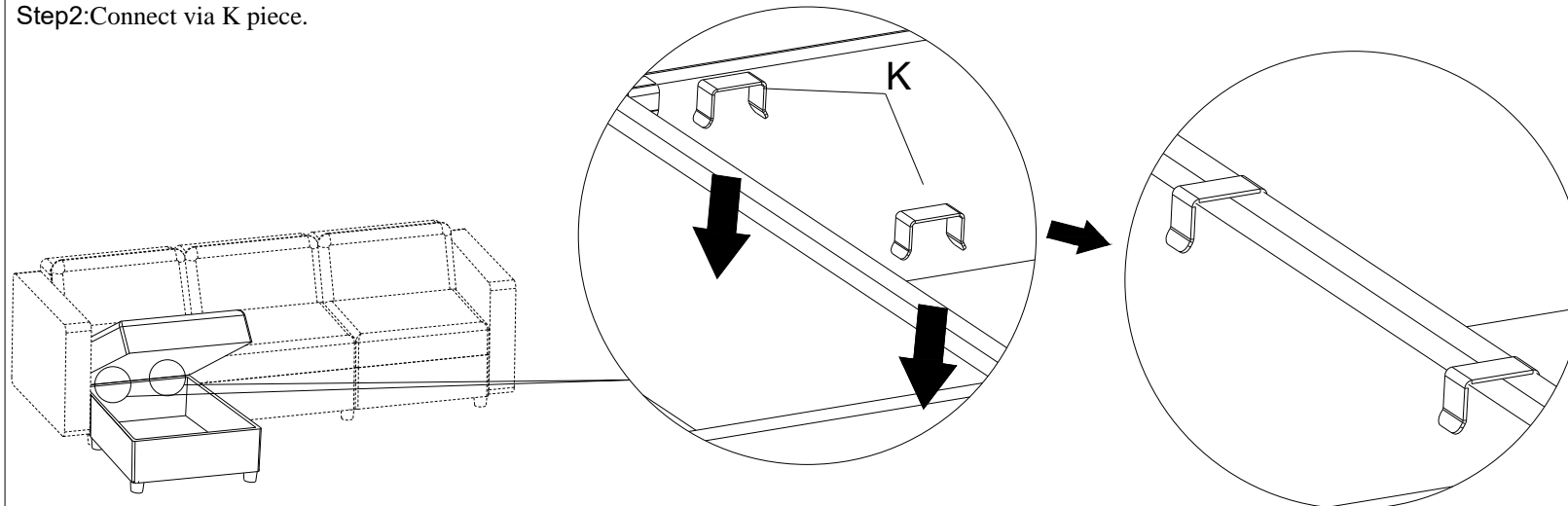
Kx2

# Installation Instructions

Step1: Attach 4 D feet to the bottom of B seat frame.

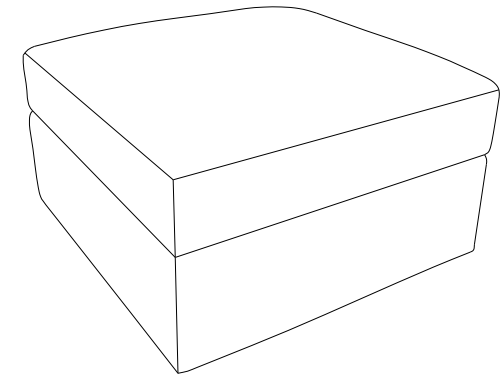


Step2: Connect via K piece.



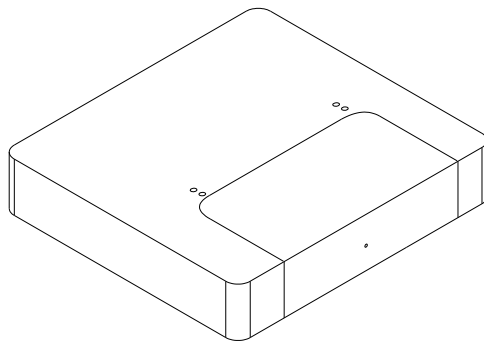
Product Name: Ottoman  
Number of installers: 1 person

- ①To install this product, please read this manual carefully and follow the steps strictly.
- ②Please keep this manual in a safe place for the next installation.

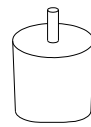


# Parts List

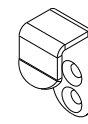
- ① Please check the parts carefully after receiving the product.
- ② Ensure that the parts are complete before installation.
- ③ If any parts is missing or damaged, please contact the seller for after-sales service.



Lx2



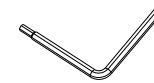
Dx2



Ex4



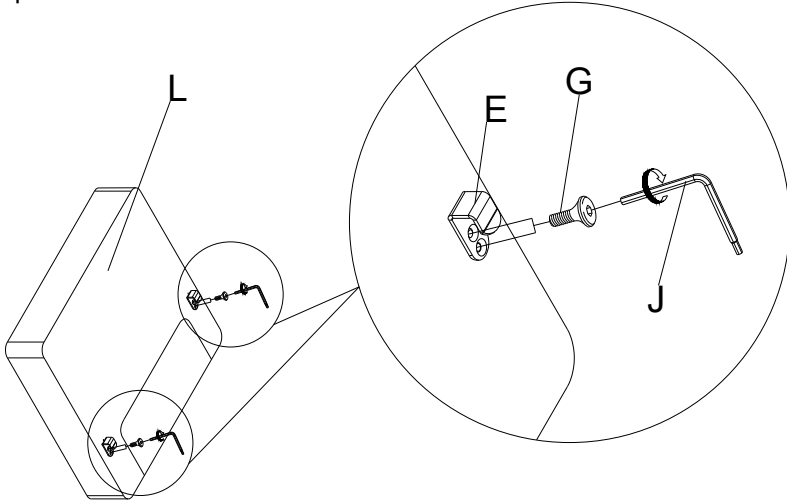
Gx8



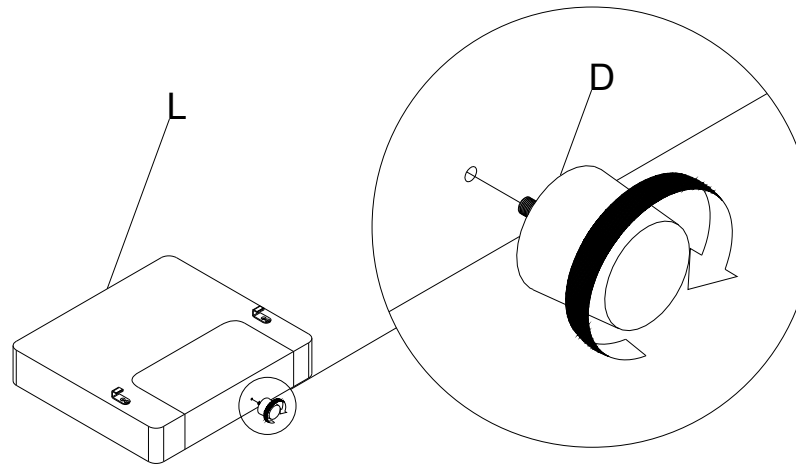
Jx1

# Installation Instructions

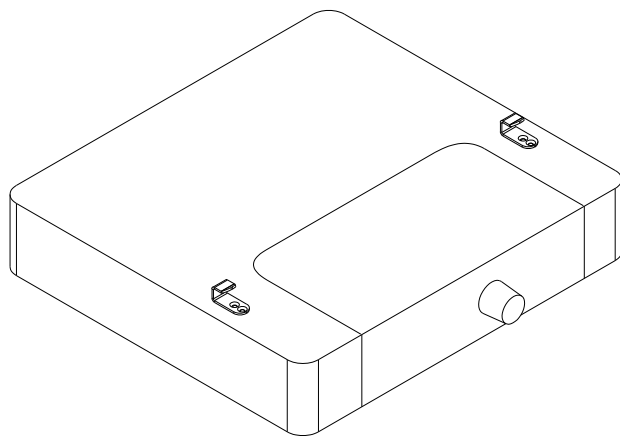
Step1: Install E inserts on both sides of L armrest via G screws.



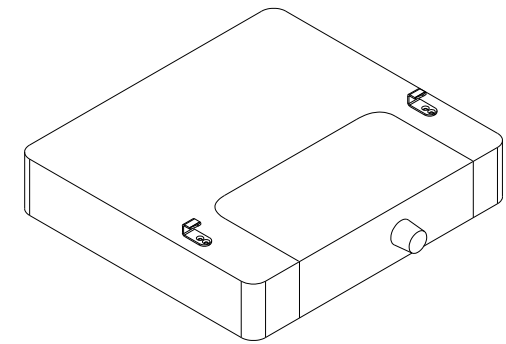
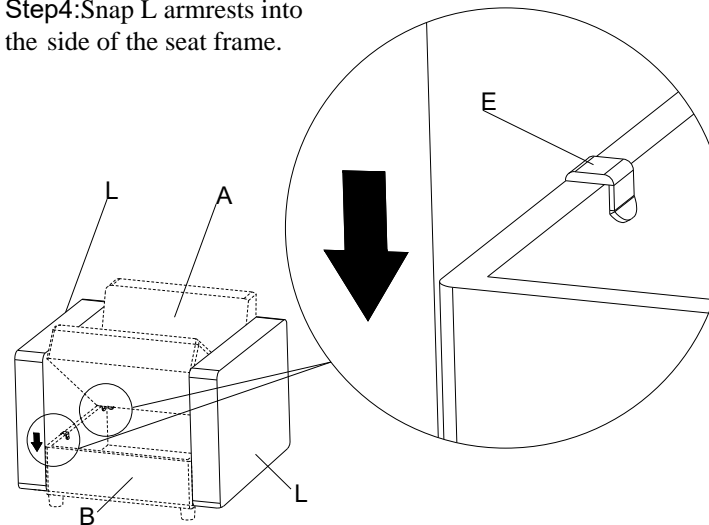
Step2: Install D foot at the bottom of L armrest.



Step3: Repeat the previous two steps to install another armrest.



Step4: Snap L armrests into the side of the seat frame.



Product Name: Sofa Arms  
Number of installers: 1 person

- ① To install this product, please read this manual carefully and follow the steps strictly.
- ② Please keep this manual in a safe place for the next installation.