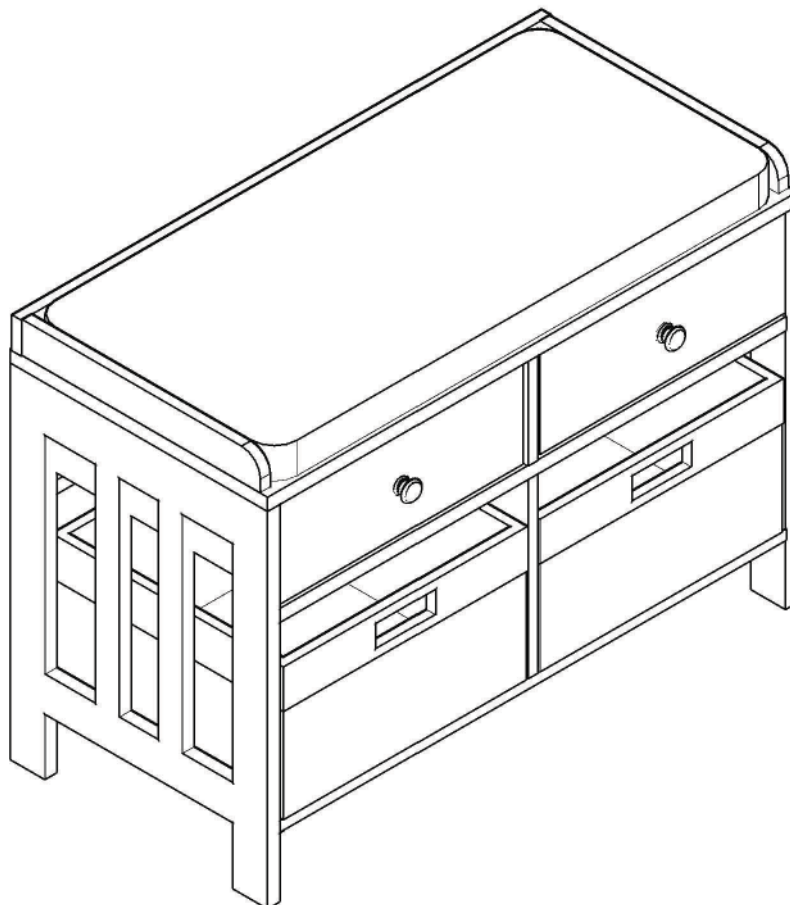


# Storage Bench

Assembly Instructions - Please keep for future reference



## Dimensions

Width - 70cm

Depth - 34cm

Height - 52cm

**Important** – Please read these instructions fully before starting assembly



# Safety and Care Advice

**Important** – Please read these instructions fully before starting assembly

- Check you have all the components and tools listed on pages 2 and 3.
- Remove all fittings from the plastic bags and separate them into their groups.
- Keep children and animals away from the work area, small parts could choke if swallowed.
- Make sure you have enough space to layout the parts before starting.

- Do not stand or put weight on the product, this could cause damage.
- Assemble the item as close to its final position (in the same room) as possible.
- Assemble on a soft level surface to avoid damaging the unit or your floor.
- Parts of the assembly will be easier with 2 people.



- We do not recommend the use of power drill/drivers **for inserting screws**, as this could damage the unit. Only use hand screwdrivers.
- Dispose of all packaging carefully and responsibly.

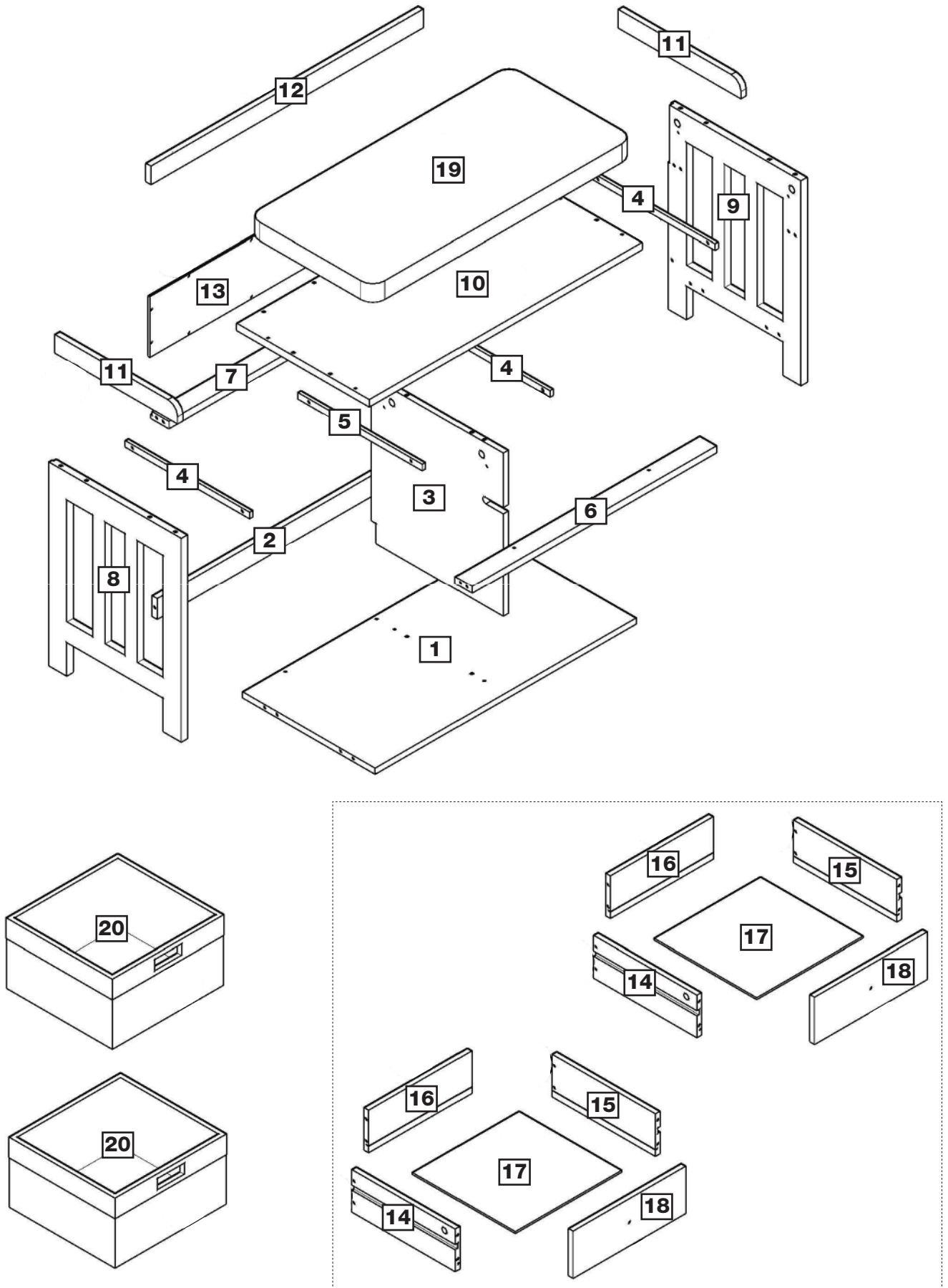
## Care and maintenance

- Only clean using a damp cloth and mild detergent, do not use bleach or abrasive cleaners.
- From time to time check that there are no loose screws on this unit.
- This product should not be discarded with household waste. Take to your local authority waste disposal centre.

# Components - Panels

If you have damaged or missing components, email us at [techstyle.spares@stadiumcp.co.uk](mailto:techstyle.spares@stadiumcp.co.uk)

Please check you have all the panels listed below






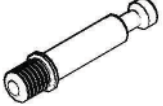







# Components - Fittings

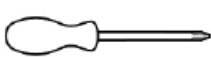
If you have damaged or missing components, email us at [techstyle.spares@stadiumcp.co.uk](mailto:techstyle.spares@stadiumcp.co.uk)

Please check you have all the fittings listed below

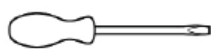
**Note:** The quantities below are the correct amount to complete the assembly. In some cases more fittings may be supplied than are required.

<b>a</b>  Large screw x 17	<b>b</b>  Medium screw x 8	<b>c</b>  Wooden dowel x 28
<b>d</b>  Drawer stop x 2	<b>e</b>  Small screw x 2	<b>f</b>  Camlock bolt x 21
<b>g</b>  Camlock nut x 21	<b>h</b>  Leg glide x 4	<b>j</b>  Dome head screw x 12
<b>k</b>  Bolt x 2	<b>l</b>  Handle x 2	

## Tools required



Crosshead screwdriver  
(medium & large)



Flatblade screwdriver  
(medium)



Eye protection  
(when using  
a hammer or  
glue)

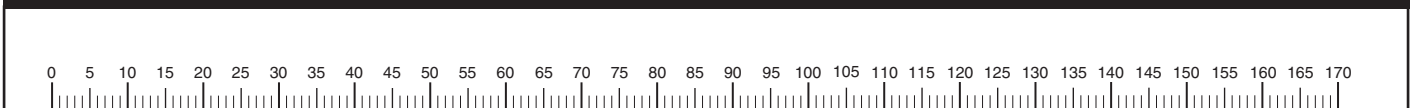


Small  
hammer



Ruler/tape  
measure

Ruler - Use this ruler to help correctly identify the screws



# Assembly Instructions

## Step 1

### Assemble drawers

**a:** Insert 2 x camlock bolt **f** onto drawer front **18**. Attach 1 x handle **l** onto drawer front **18** using 1 x bolt **k**.

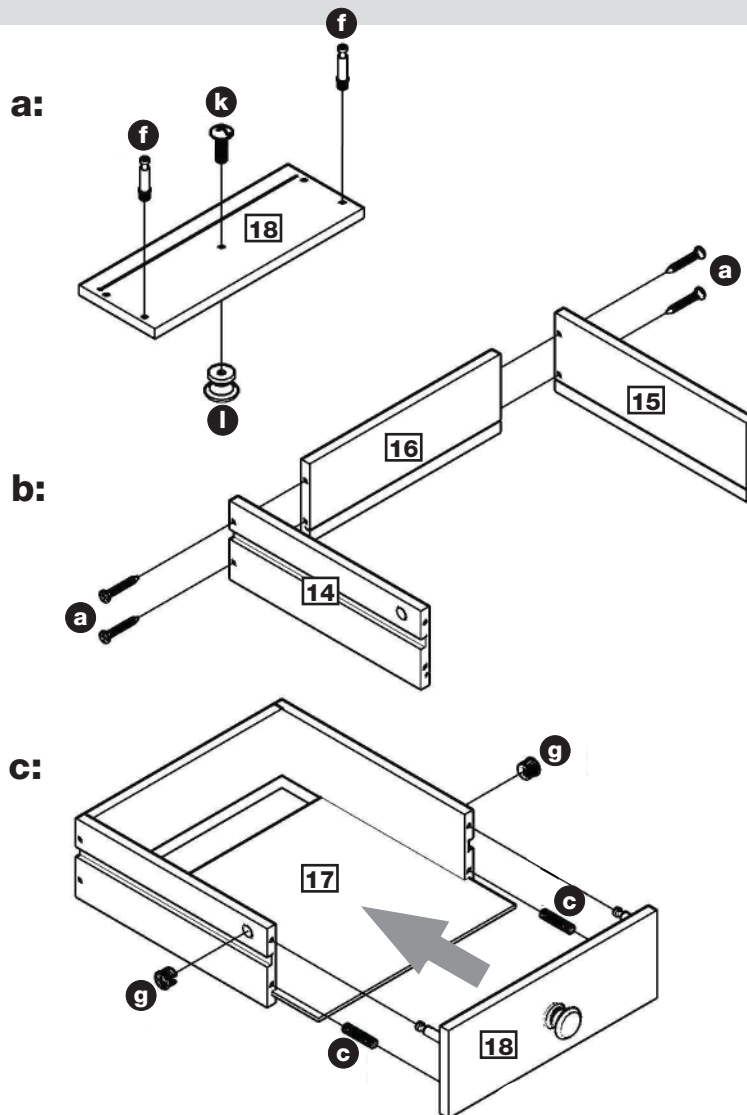
**b:** Attach drawer left side **14** and drawer right side **15** to drawer back **16** using 2 x large screw **a** for each side.

**c:** Slide in drawer base **17**.

Insert 2 x wooden dowel **c** into assembled drawer and attach drawer front **18**.

Insert 2 x camlock nut **g** and rotate clockwise for about 1/4 to 1/2 a turn or until the nut "connects" with the bolt and is secure.

Repeat to assemble second drawer.

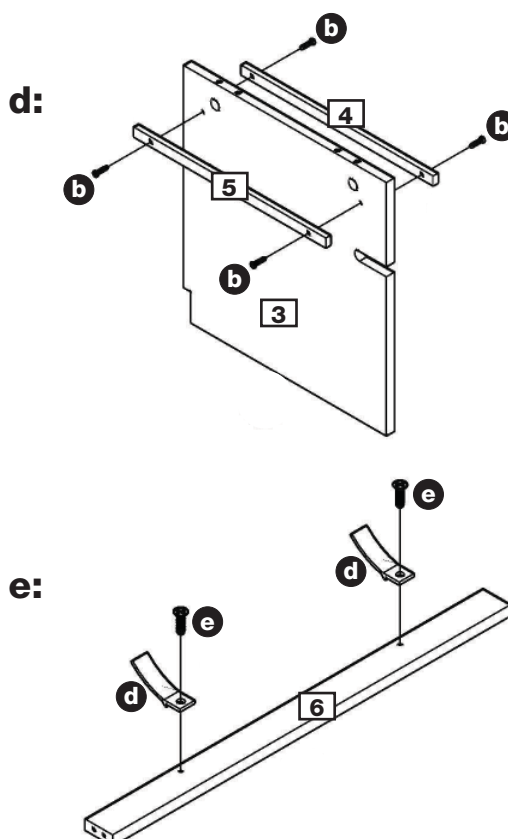


## Step 2

### Frame preparation

**d:** Attach runners **4** and **5** onto panel **3** using 2 x medium screw **b** for each.

**e:** Attach 2 x drawer stop **d** into front crossbar **6** using 1 x small screw **e** for each.



# Assembly Instructions

## Step 2 cont.

### Frame preparation

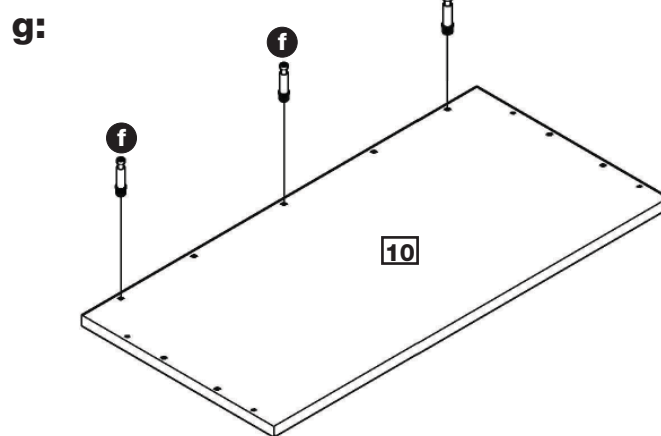
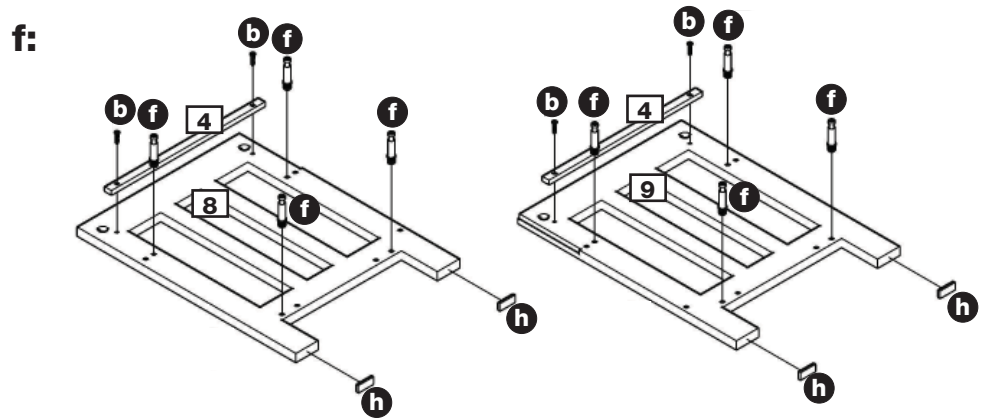
**f:** Attach drawer runner **4** to left side **8** using 2 x medium screw **b**.

Insert 4 x camlock bolt **f** into left side **8** as shown.

Attach 2 x leg glide **h** onto the base of left side **8** as shown.

Repeat for right side **9**.

**g:** Insert 3 x camlock bolt **f** into seat **10**.



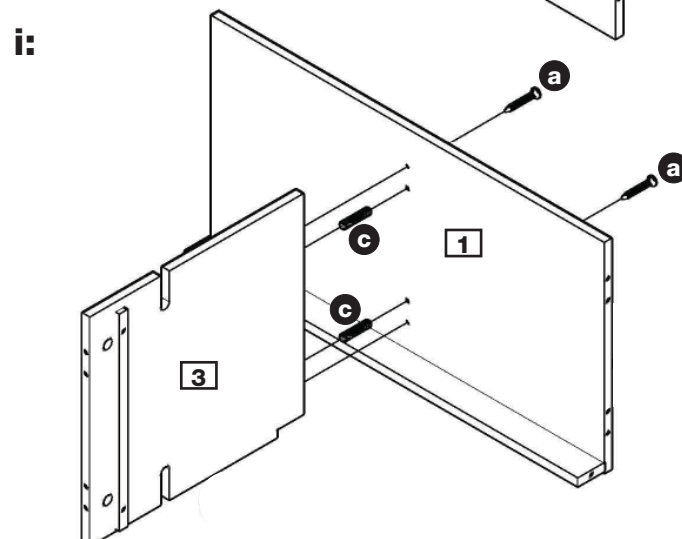
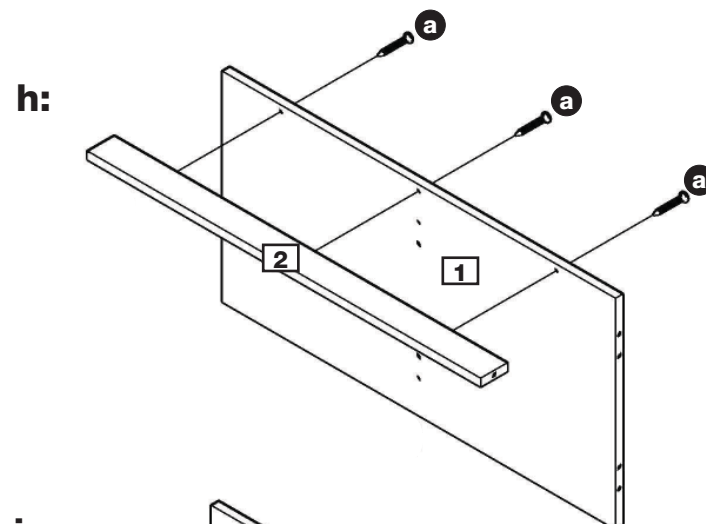
## Step 3

### Frame assembly

**h:** Attach back base plinth **2** to base **1** using 3 x large screw **a**.

**i:** Insert 2 x wooden dowel **c** into base **1**.

Attach separator **3** to base **1** using 2 x large screw **a**.



# Assembly Instructions

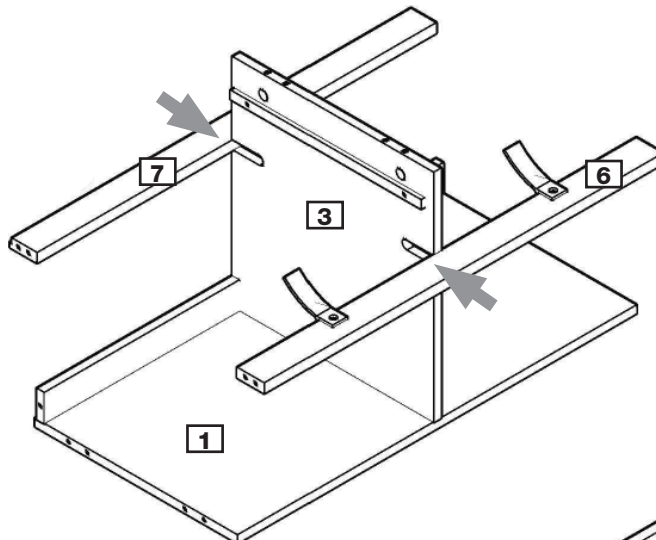
## Step 3 cont.

### Frame assembly

**j:** Slot front crossbar **6** and back crossbar **7** into separator **3** as shown.

**Note:** Make sure the drawer stops are facing as shown.

**j:**

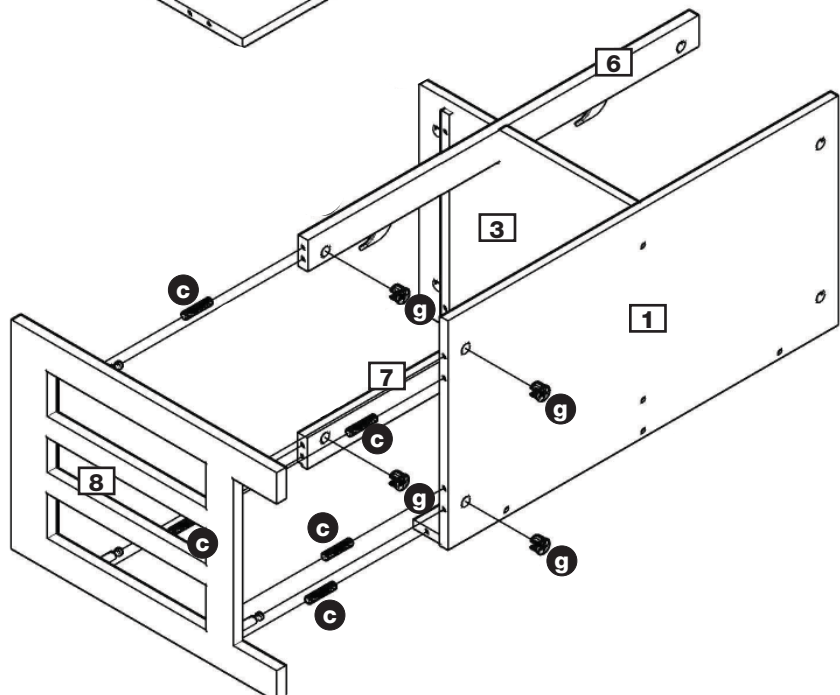


**k:** Insert 5 x wooden dowel **c** into assembled frame as shown.

Attach left side **8**.

Insert 4 x camlock nut **g** and rotate clockwise for about 1/4 to 1/2 a turn or until the nut "connects" with the bolt and is secure.

**k:**

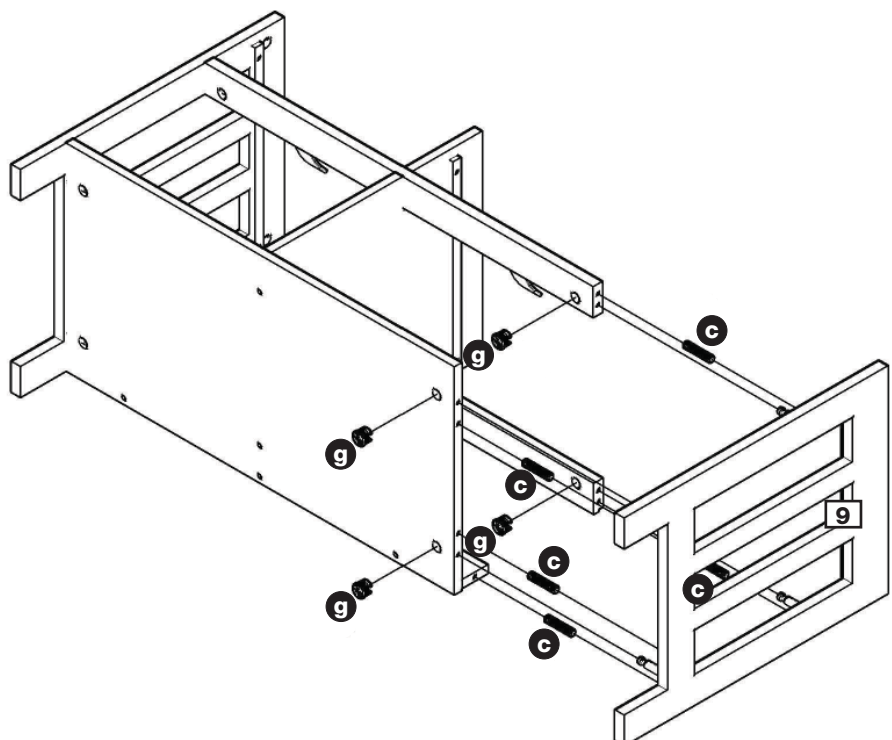


**l:** Insert 5 x wooden dowel **c** into assembled frame as shown.

Attach right side **9**.

Insert 4 x camlock nut **g** and rotate clockwise for about 1/4 to 1/2 a turn or until the nut "connects" with the bolt and is secure.

**l:**



# Assembly Instructions

## Step 3 cont.

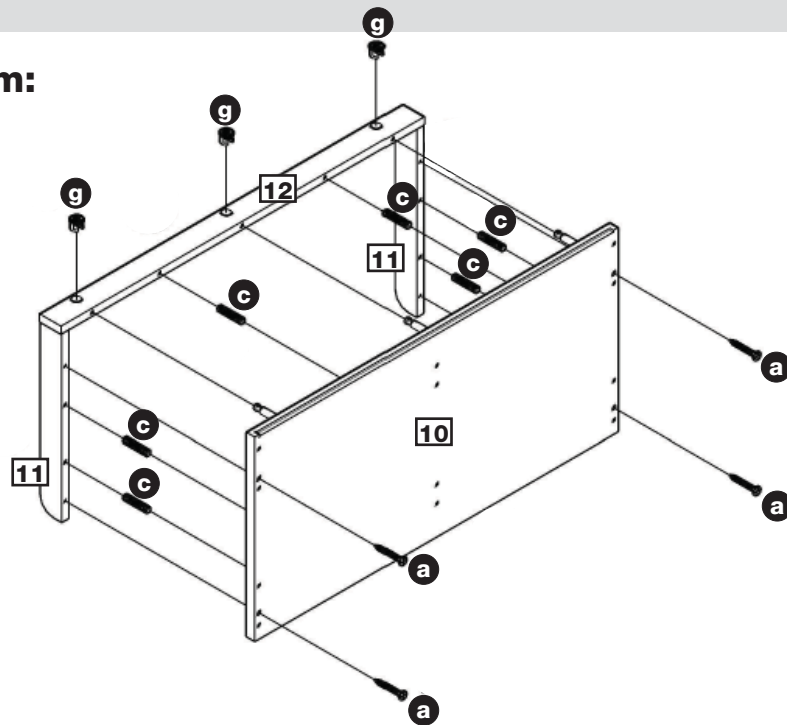
### Frame assembly

**m:** Insert 6 x wooden dowel **c** into top **10**.

Attach back upright **12** - insert 3 x camlock nut **g** as shown and rotate clockwise for about 1/4 to 1/2 a turn or until the nut "connects" with the bolt and is secure.

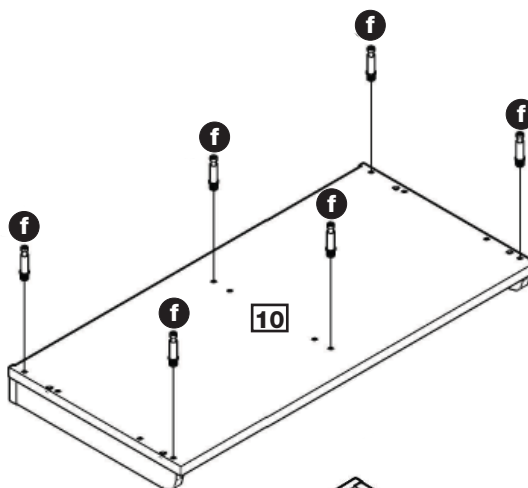
Attach 2 x side upright **11** and fix into place using 2 x large screw **a** for each.

**m:**



**n:** Insert 6 x camlock bolt **f** into top **10** as shown.

**n:**

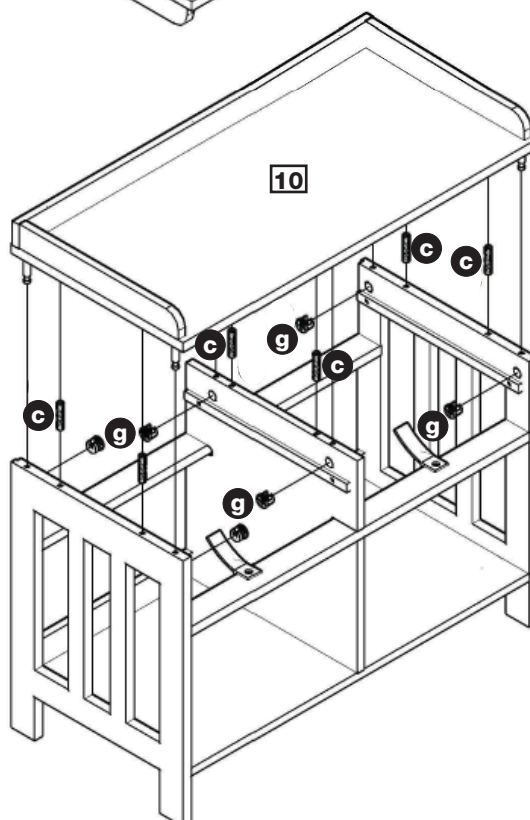


**o:** Insert 6 x wooden dowel **c** into assembled frame.

Slot top **10** onto assembled frame.

Insert 6 x camlock nut **g** as shown and rotate clockwise for about 1/4 to 1/2 a turn or until the nut "connects" with the bolt and is secure.

**o:**

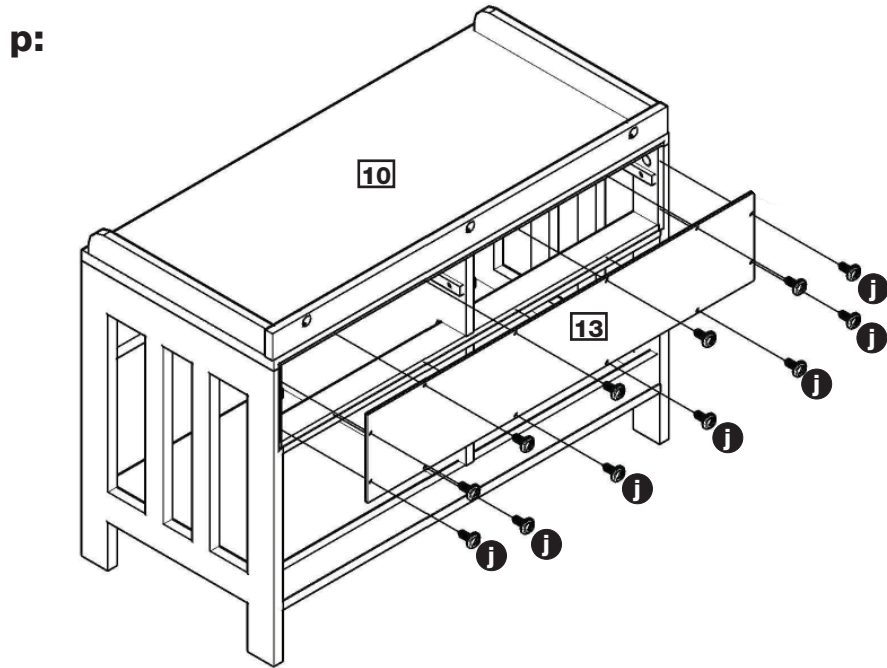


# Assembly Instructions

## Step 3 cont.

### Frame assembly

**p:** Attach backboard **13** to assembled frame using 12 x dome head screw **i**.

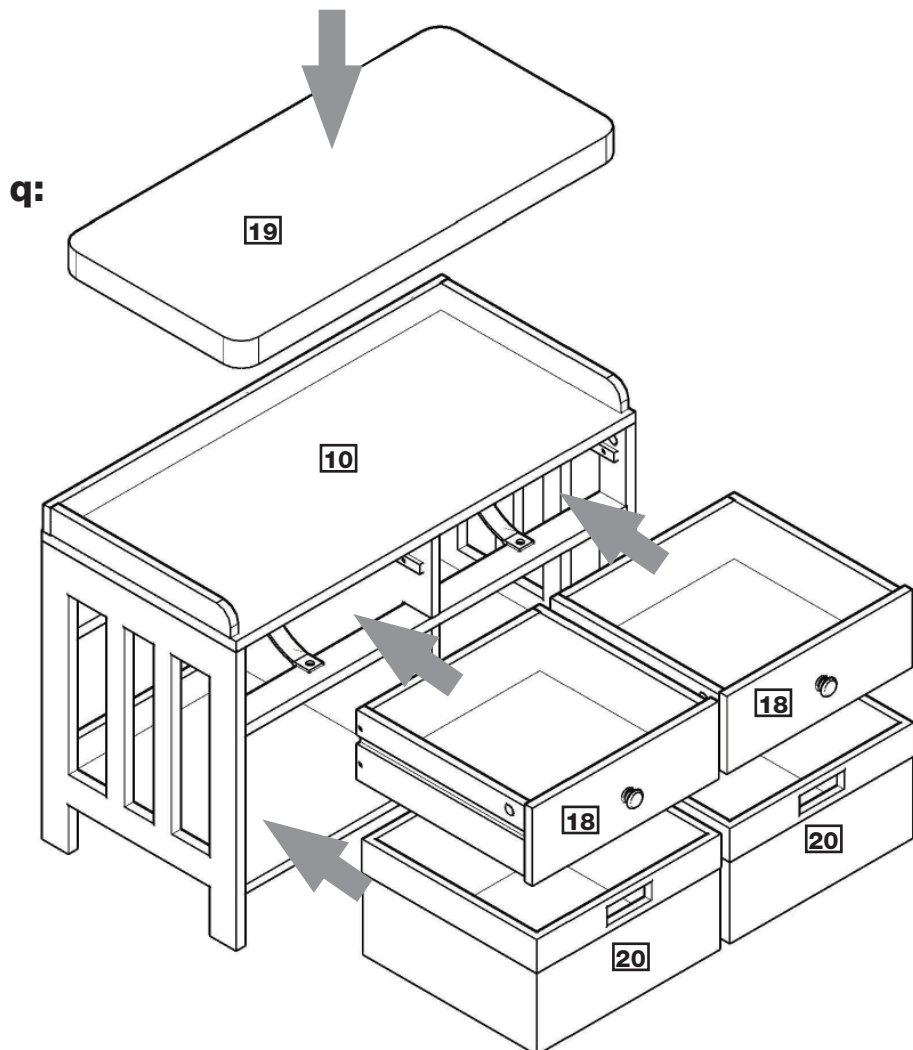


## Step 4

### Finished touches.

**q:** Slide in 2 x assembled drawers and 2 x baskets **20** as shown.

Place padded seat **19** onto the top **10** as shown.



**Assembly is complete.**