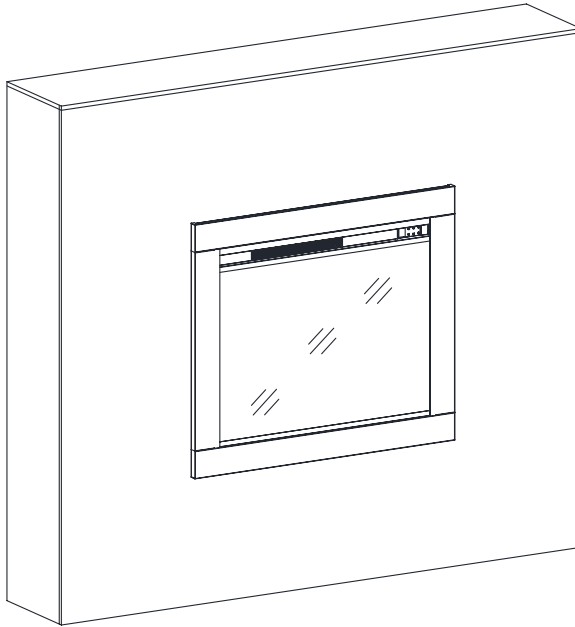


Uptown Trim and Mounting Kit



OWNER'S MANUAL

08/07/2025 | REV. A

Thank you for purchasing our Uptown Trim and Mounting Kit!

Each unit has been manufactured to ensure safety and reliability.

Before first use, read the instructions carefully and keep them for further reference.

Questions, problems, missing parts?
Before returning to store, call Customer Service:

8am-5pm CST, Monday - Friday

Phone: 877-430-0703

Email: resolutions@electricfireplacesdirect.com

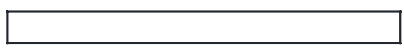

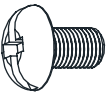
Retain this manual for future use.

Don't forget to tag us!
#electricfireplacesdirect
#modernember

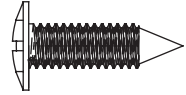
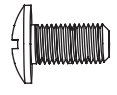




Parts & Hardware

TRIM ASSEMBLY

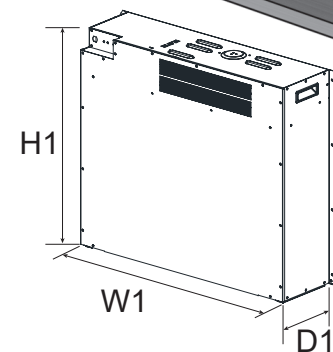
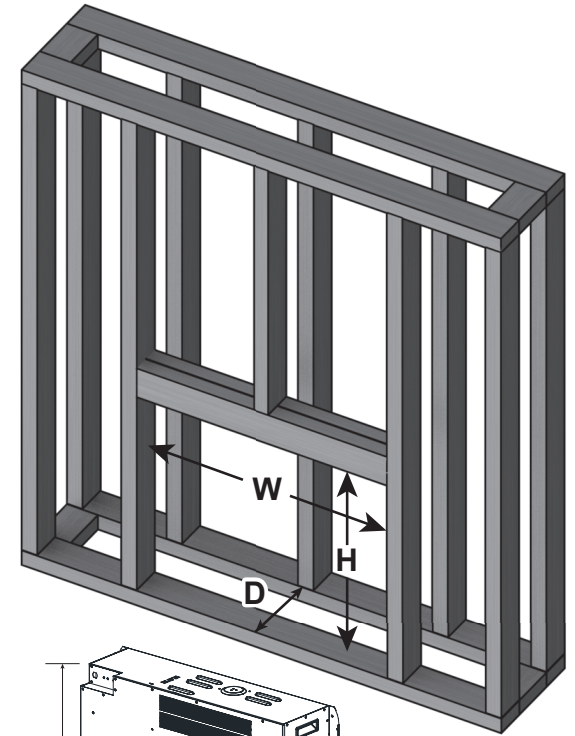
PART NO.	DESCRIPTION	QTY
1	 Top & Bottom Trim Piece	2
2	 Side Trim Piece	2
3	 Screws	8

MOUNTING KIT

PART NO.	DESCRIPTION	QTY
AA	 Screw 4 x 17mm	12
BB	 Screw 4 x 6mm	8
CC	 Securing Plate	2
DD	 Mounting Bracket	2

Specifications

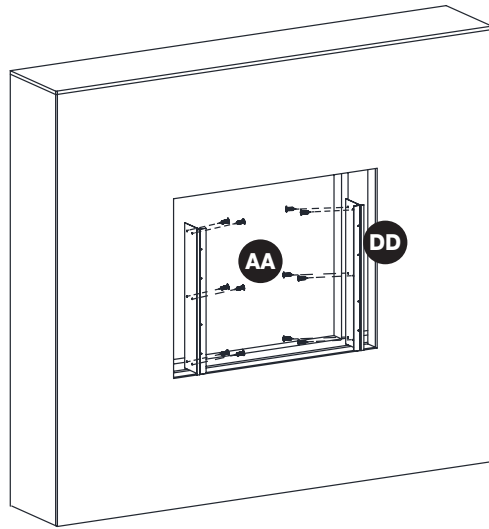
Fireplace Model Number	Frame Width (W)	Frame Height (H)	Frame Depth (D)
EF-TL-23	646mm / 25.4in.	542mm / 21.4in.	215mm / 8.5in.
EF-TL-28-3	784mm / 30.9in.	619mm / 24.4in.	215mm / 8.5in.
EF-TL-33	907mm / 35.7in.	692mm / 27.2in.	245mm / 9.7in.
EF-TL-28-CONC	784mm / 30.9in.	619mm / 24.4in.	215mm / 8.5in.



Fireplace Model Number	Fireplace Width (W1)	Fireplace Height (H1)	Fireplace Depth (D1)
EF-TL-23	557mm / 21.9in.	517mm / 20.4in.	190mm / 7.5in.
EF-TL-28-3	687mm / 27in.	594mm / 23.4in.	190mm / 7.5in.
EF-TL-33	818mm / 32.2in.	667mm / 26.2in.	220mm / 8.7in.
EF-TL-28-CONC	687mm / 27in.	594mm / 23.4in.	190mm / 7.5in.

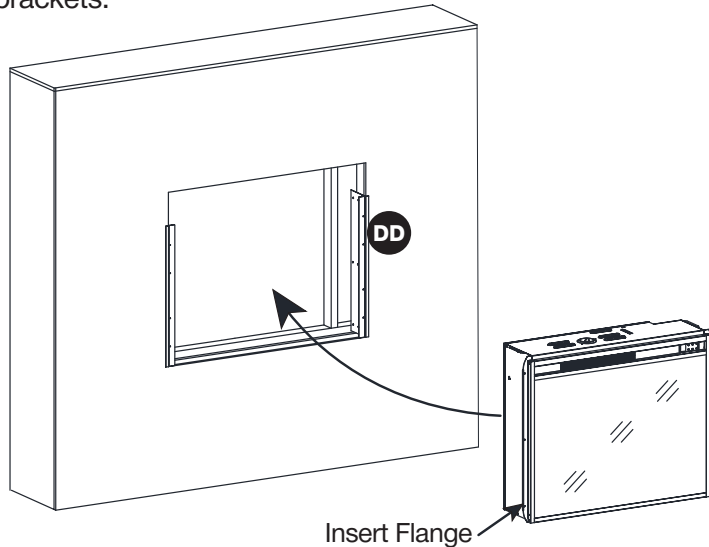
STEP 1

Position the mounting brackets (DD) so they are vertically centered within the opening. Ensure the flange rests flush against the wall. Secure the brackets to the framing using the screws (AA).



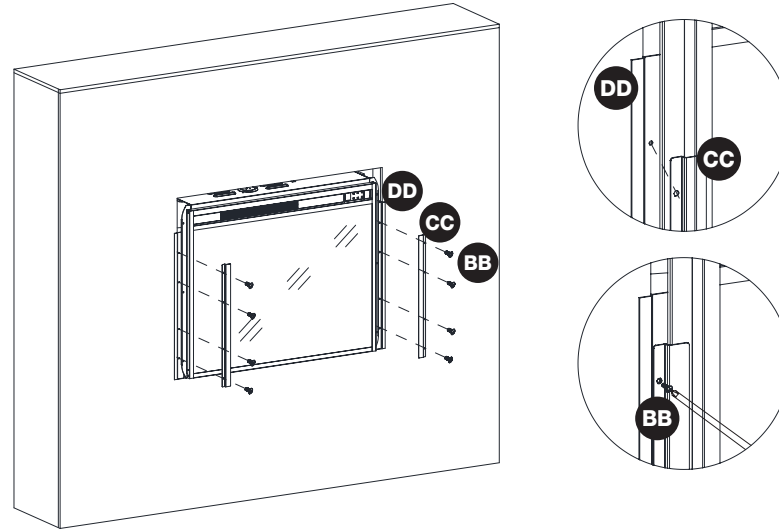
STEP 2

Insert the fireplace into the opening and press it firmly against the brackets (DD) from Step 1. The flange should sit flush against the brackets.



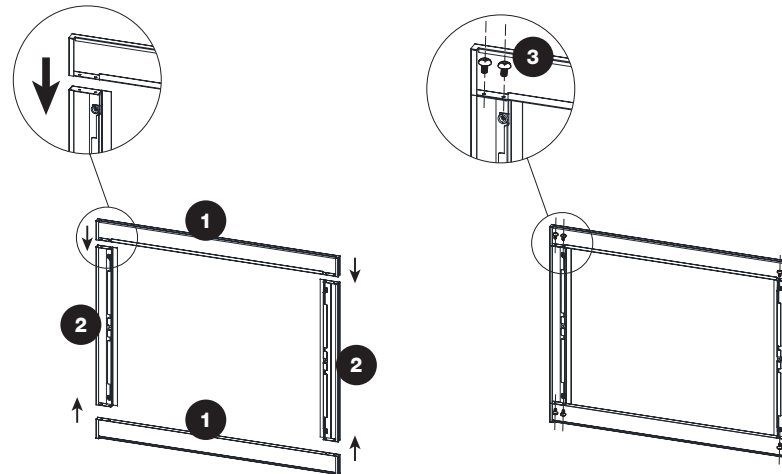
STEP 3

Position the securing plates (CC) over the insert's flange. Fasten them to the mounting brackets (DD) using screws (BB). Once secured, the insert should be firmly held in place.



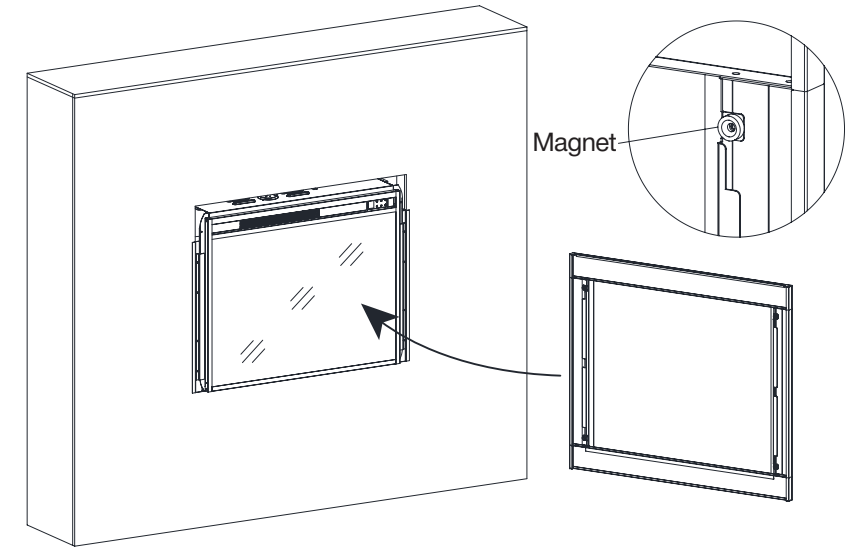
STEP 4

Trim Assembly: Insert one side trim piece (2) into the top trim piece (1). Secure the connection using the provided screws (3). Repeat the process for the second side trim piece (2). Once both side pieces (2) are attached to the top (1) insert and secure the bottom trim piece (1) using the included screws (3).



STEP 5

Attach the trim to the insert. Magnets along the edges will hold the trim securely.



COMPLETED INSTALLATION

