

# INSTALLATION INSTRUCTIONS

**WARNING! SHUT OFF POWER AT FUSE OR CIRCUIT BREAKER**

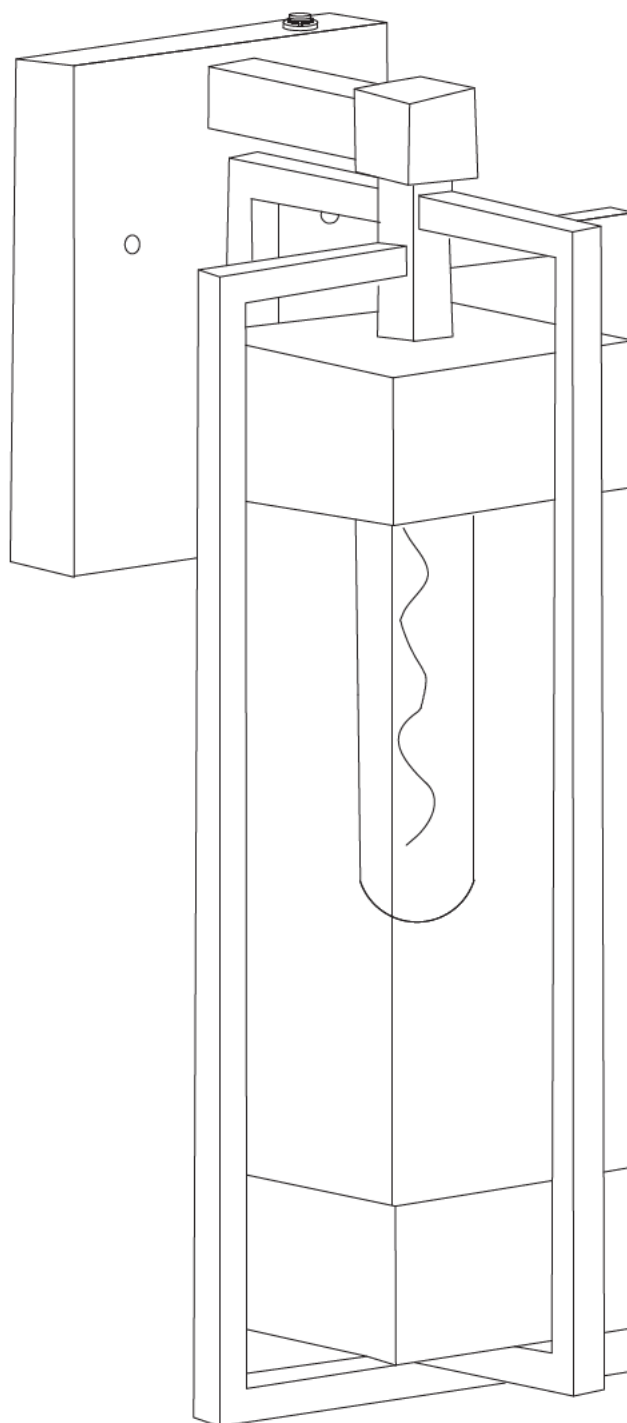
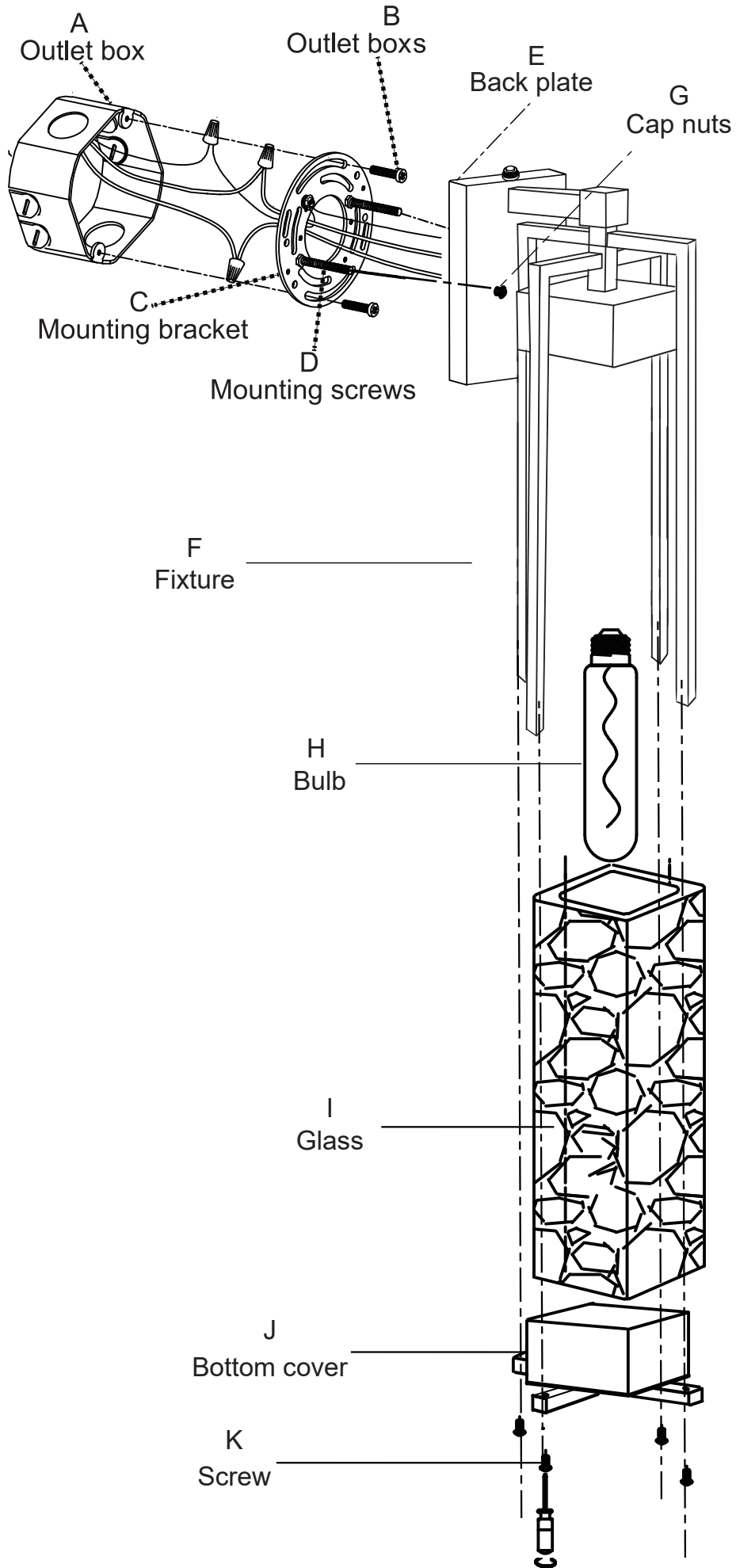


FIG. 1



# PREPARING FOR INSTALLATION

WARNING! SHUT POWER OFF AT FUSE OR CIRCUIT BREAKER.

## PREPARING FOR INSTALLATION (Fig. 1)

1. Shut off power at the fuse box or circuit breaker box and remove the old fixture including the mounting hardware.
2. Carefully unpack your new fixture and lay out all the parts in a clear area. Take care not to misplace any small parts necessary for installation.
3. Unscrew the cap nuts (G) and separate the mounting bracket (C) from back plate(E).
4. Attach the mounting bracket (C) to the outlet box (A) with the outlet box screws (B). Note: the side of mounting plate marked "GND" must face out.
5. Secure mounting screws (D) into mounting bracket (C) with the hex nuts provided.

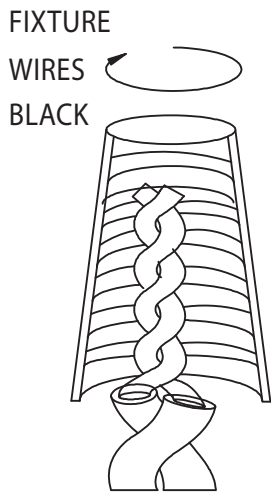
## CONNECTING THE WIRES (Fig. 2)

6. Connect the electrical wires as shown in Fig.2. and making sure that all wire connectors are secured. If your outlet box has a ground wire (green or bare copper), connect the fixture's ground wire to it. Otherwise, connect the fixture's ground wire directly to the circular strap using the green screw provided. Tuck the wire connectors neatly into the outlet box.

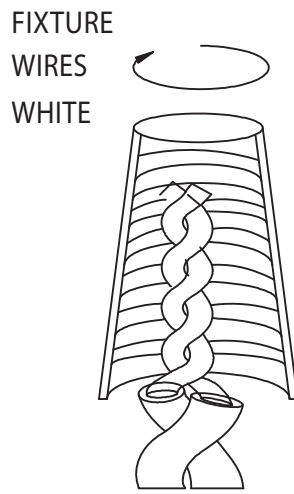
## FINISHING THE INSTALLATION (Fig.1)

7. Align back plate (E) onto mounting bracket (C) and secure with cap nuts (G).
8. Unscrew the screws (K) and separate the bottom cover (J) from fixture frame (F).
9. Install bulb ( Max.100W) in accordance with the fixture specification.
10. Place the glass (I) onto the bottom cover (J) and secure the bottom cover (J) to the fixture frame (F) with screws (K).

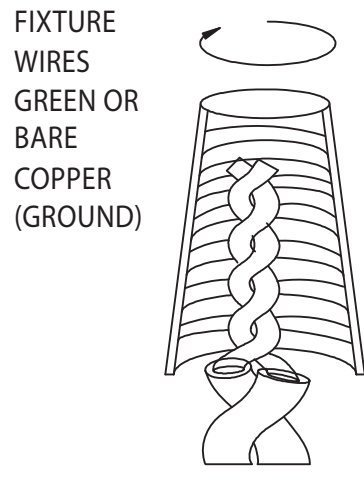
**Fig.2**



HOUSE  
WIRES  
BLACK  
(HOT)



HOUSE  
WIRES  
WHITE  
(NEUTRAL)



HOUSE  
WIRES  
GREEN OR  
BARE COPPER(GROUND)

Your installation is now complete. Return power to the outlet box and test the fixture.

If this product falls for any reason covered by this warranty, feel free to contact us