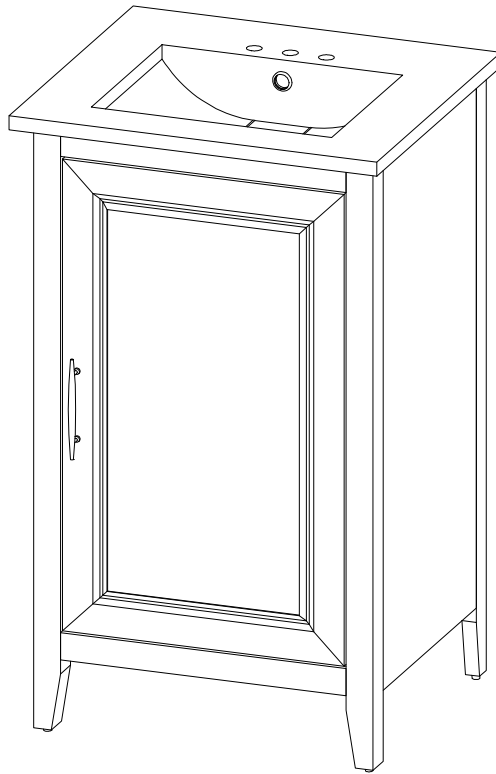


ASSEMBLY INSTRUCTIONS

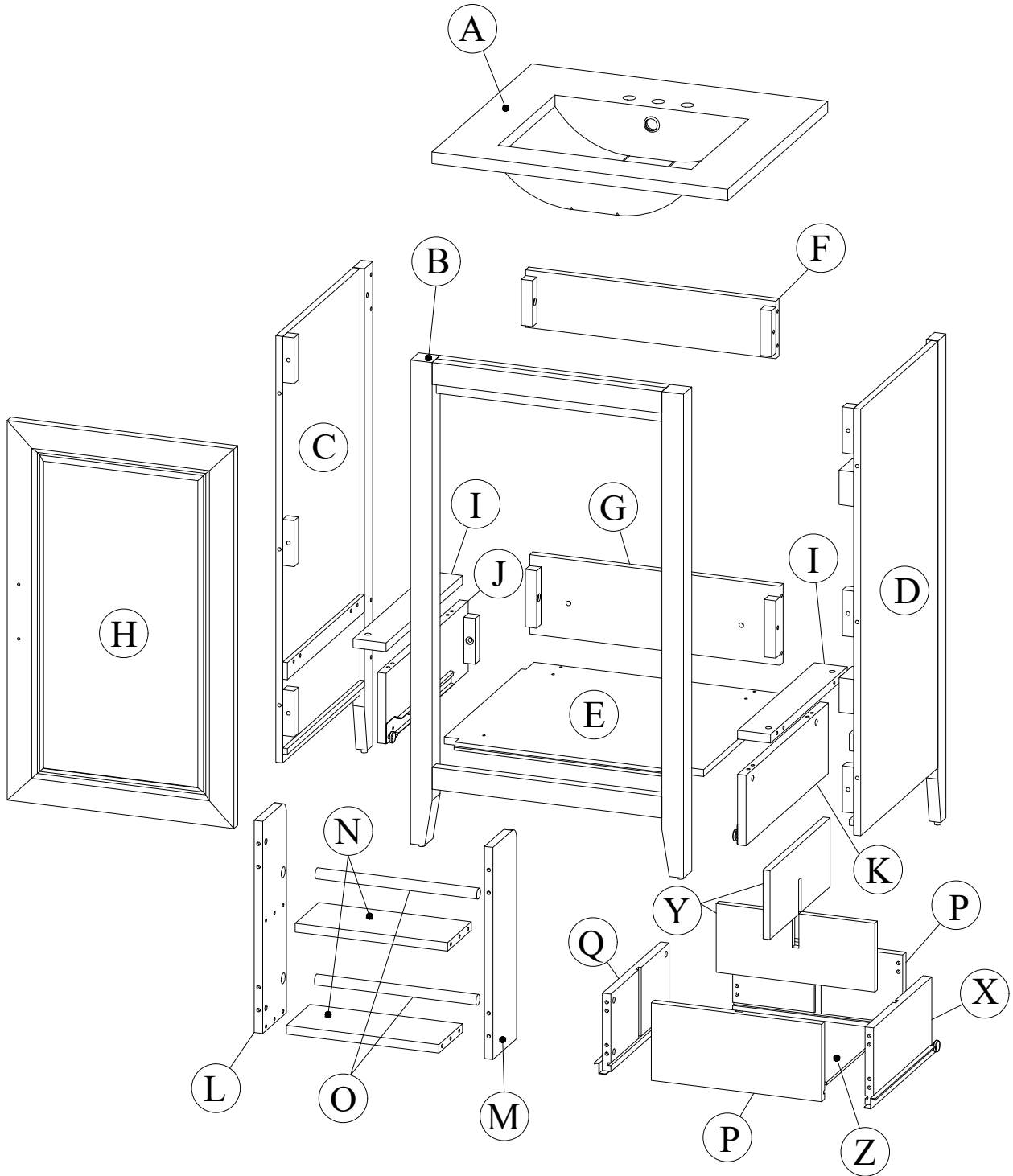
Thank you for purchasing this quality Product. Be sure to check all packing material carefully for small parts, which may have come loose inside carton during shipment. identify and count all parts and compare with the parts list below.



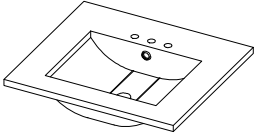
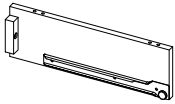
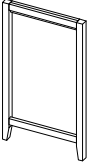

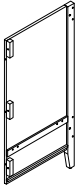

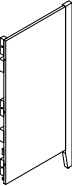
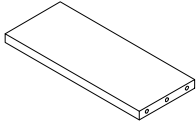
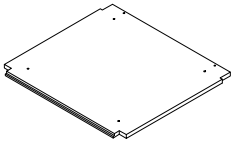
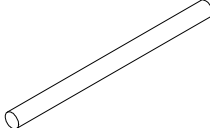
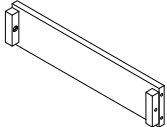
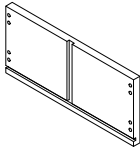
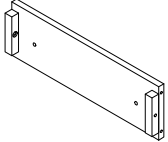
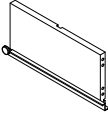
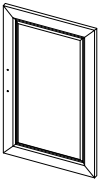
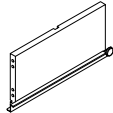
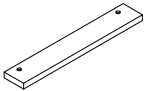
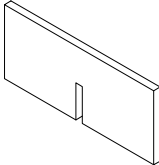
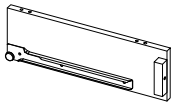
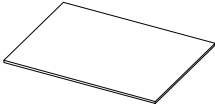
ASSEMBLY INSTRUCTION:

1. Remove hardware from box and sort by size.
 2. Please check to see that all hardware and parts are present prior start of assembly.
 3. Please follow attached instruction in the same sequence as numbered assure fast and easy assembly.
-
1. Don't attempt to repair or modify parts that are broken or defective. Please contact the store immediately.
 2. This products for home use only and not intended for commercial establishments.
 3. Two persons are required for assembly.
 4. Approximate assembly time 1/2 hours.
 5. Component parts and fittings contained in the box. Please sort out all parts before you begin to assemble the item. This is to make sure you always use the correct part.
 6. It is **STRONGLY RECOMMENDED** that you **ANCHOR** this product tooling furniture can cause serious injuries and death. To prevent your furniture from tipping forward it is strongly recommended that you securely attach this product to a wall other solid surface, using the anchor straps provided appropriate fixings.




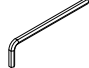
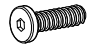
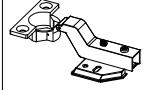
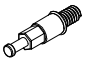


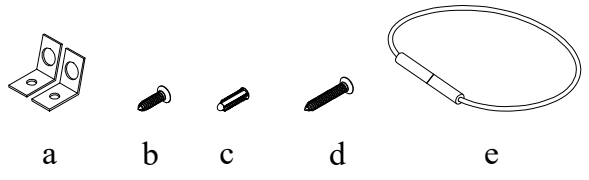




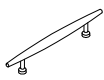
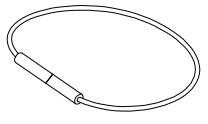

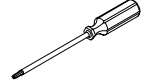

DETAIL VIEW



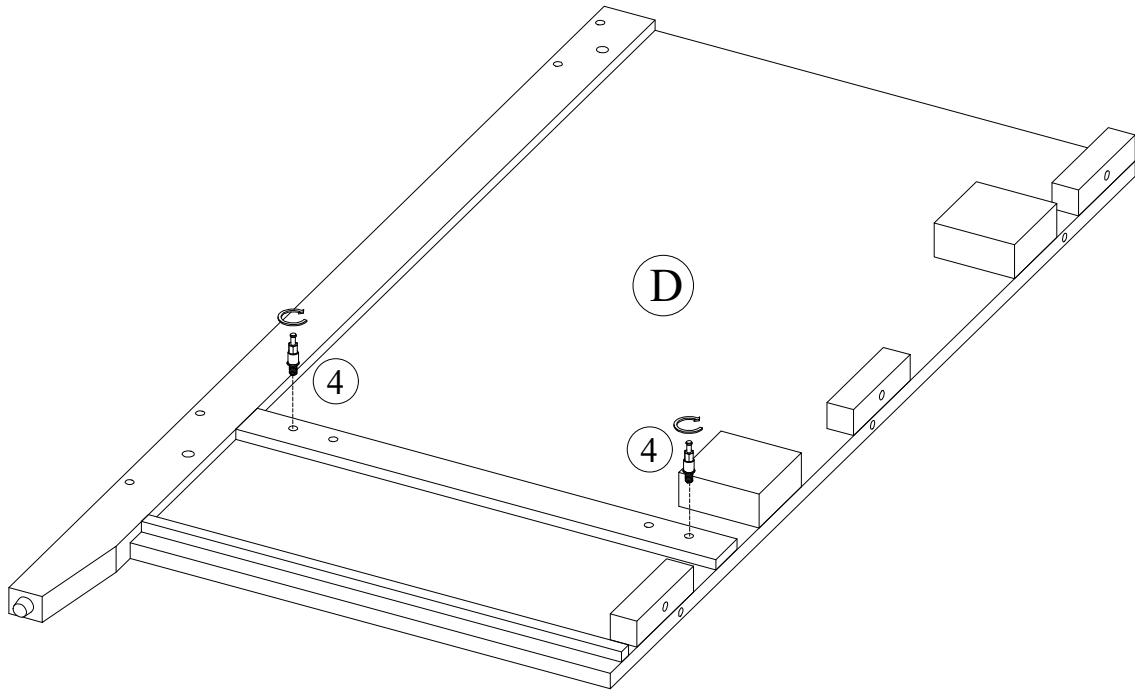
PART LIST

No.	Component		Q'ty	No.	Component		Q'ty
A		Sink	1	K		Support Bar 3 (right)	1
B		Front	1	L		Side panel-left (shelf)	1
C		Side panel (left)	1	M		Side panel-right (shelf)	1
D		Side panel (right)	1	N		Bottoms (shelf)	2
E		Bottom	1	O		Bars (shelf)	2
F		Back panel (top)	1	P		Drawer Front/Back	2
G		Back panel (bottom)	1	Q		Drawer sides (left)	1
H		Door	1	X		Drawer sides (right)	1
I		Support Bar 1	2	Y		Middle panel (drawer)	2
J		Support Bar 2 (left)	1	Z		Drawer bottom	1

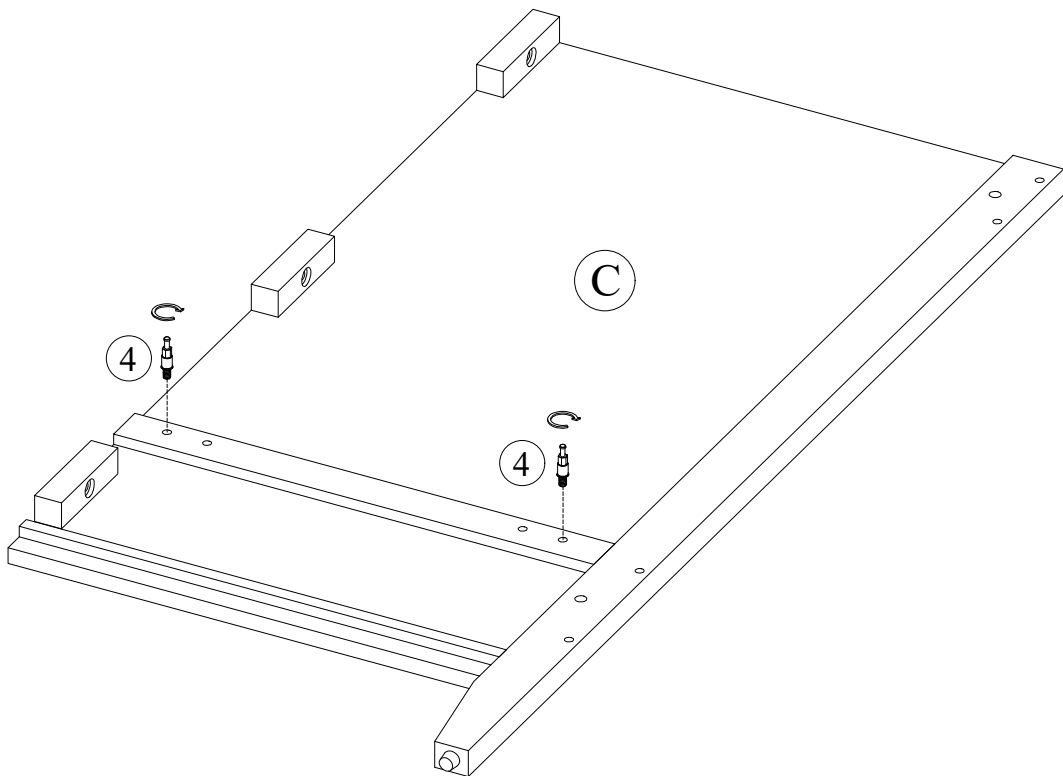
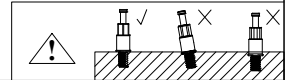
HARDWARE LIST

No.	Hardware		Q'ty	No.	Hardware		Q'ty
1		Allen Bolts 1/4"x35	6	9		Screws 4x25	6
2		Allen Bolts 1/4"x30	4	10		Allen key	1
3		Allen Bolts 1/4"x25	2	11		Hinges	2
4		Cam lock screws	24	12		Screws 4x15	12
5		Cam lock	24	13			Wall brackets 1 set
6		Wooden dowels	42		  		
7		Handle	1				
8		Bolts M4x20	2			Not included	
						Silicone	

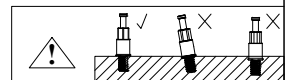
STEP 1



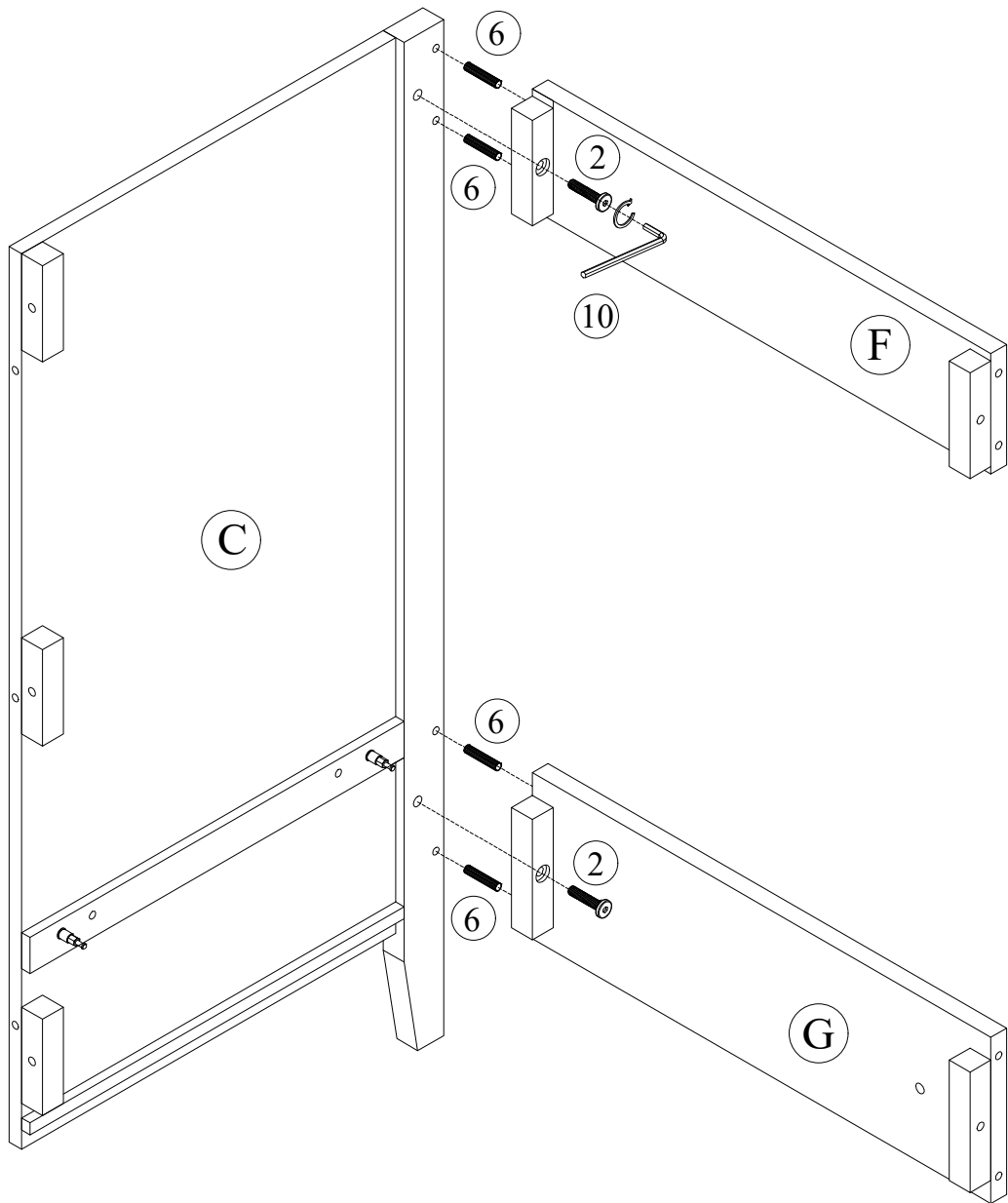
No.	Hardware	Q'ty
4	Cam lock screws	2



No.	Hardware	Q'ty
4	Cam lock screws	2

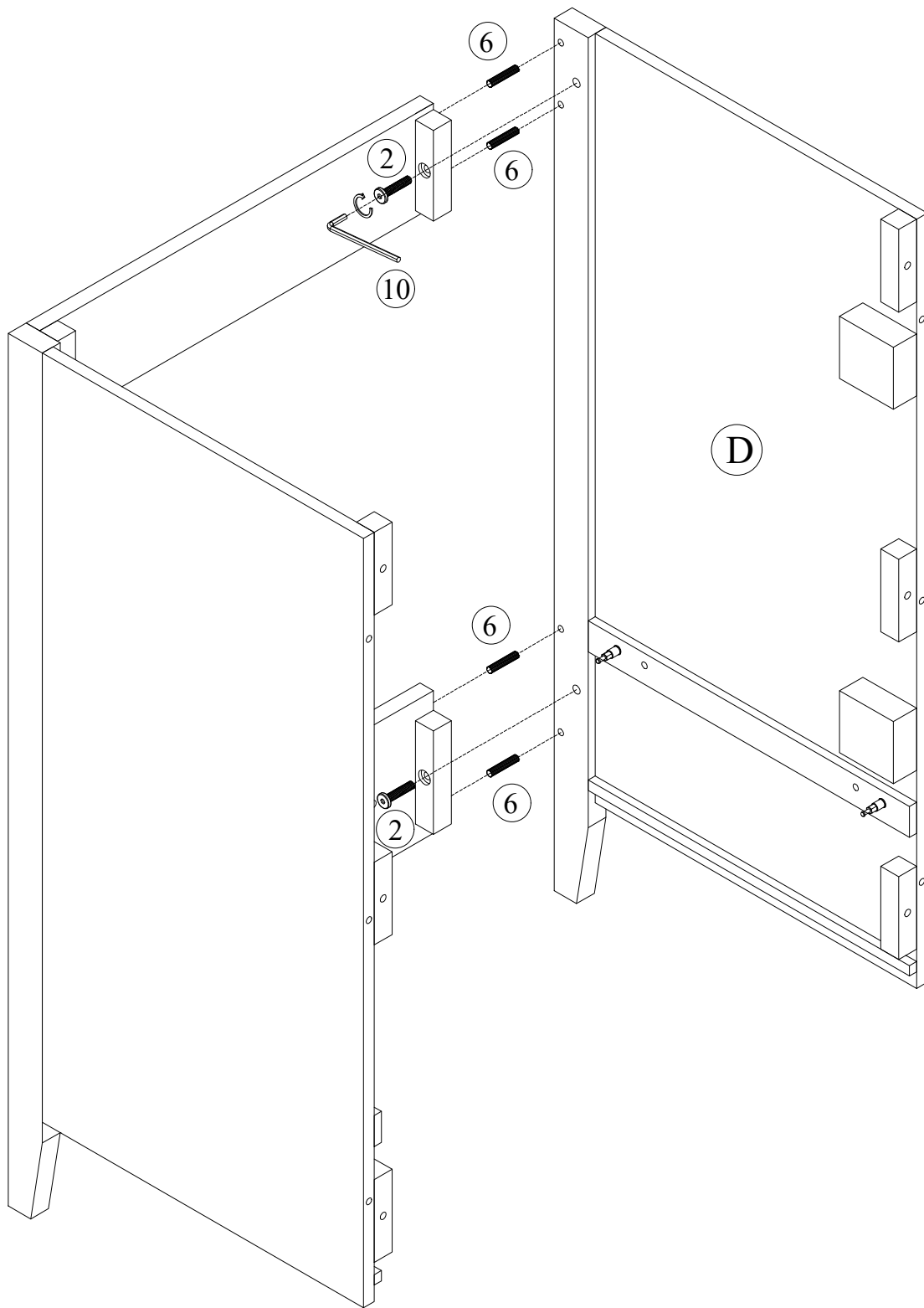


STEP 2



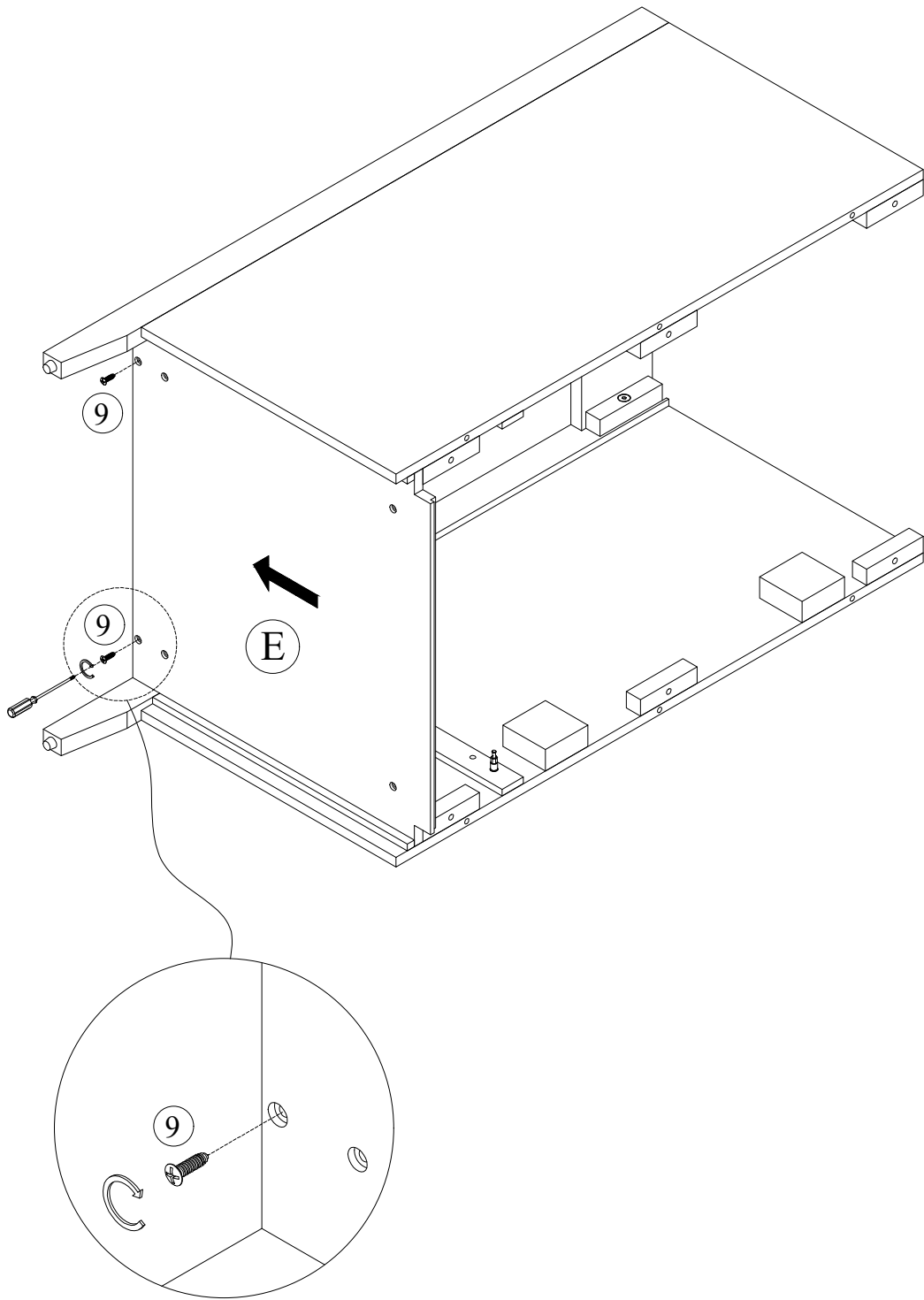
No.	Hardware	Q'ty
2	Allen Bolts 1/4"x30	2
6	Wooden dowels	4
10	Allen key	1

STEP 3



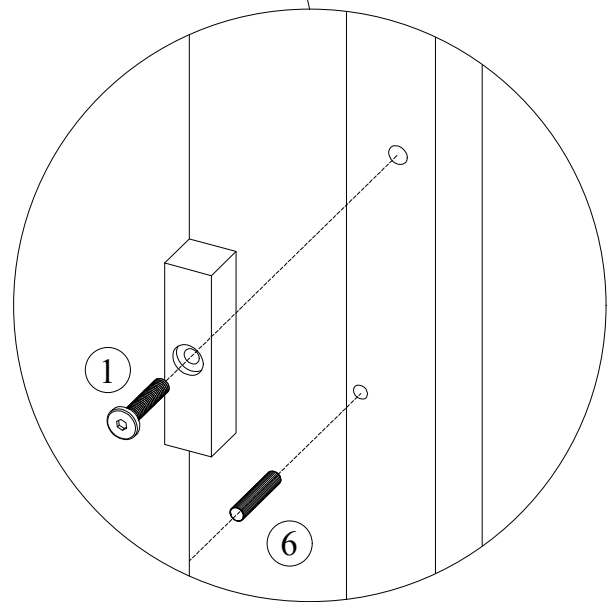
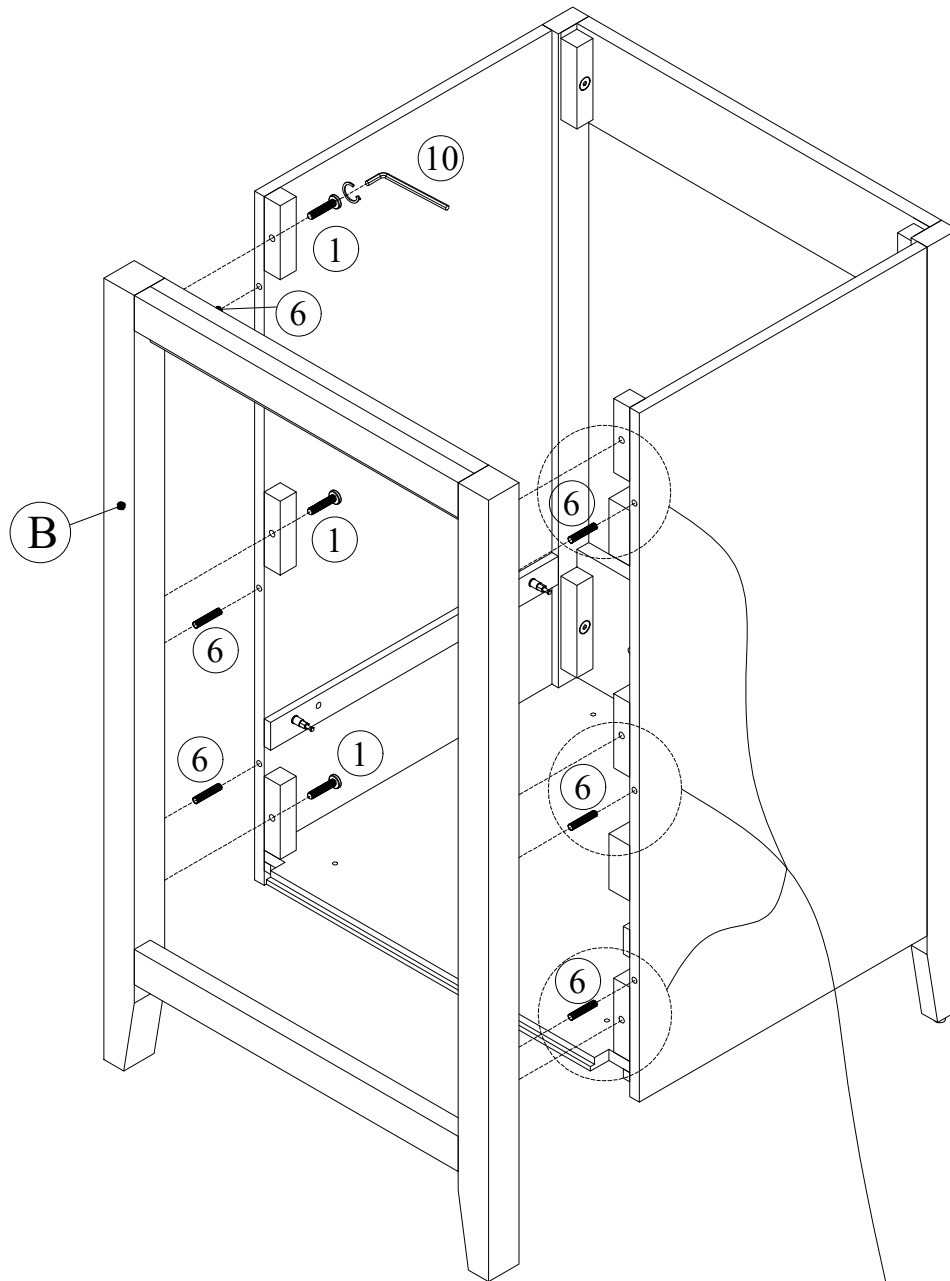
No.	Hardware	Q'ty
2	Allen Bolts 1/4"x30	2
6	Wooden dowels	4
10	Allen key	1

STEP 4



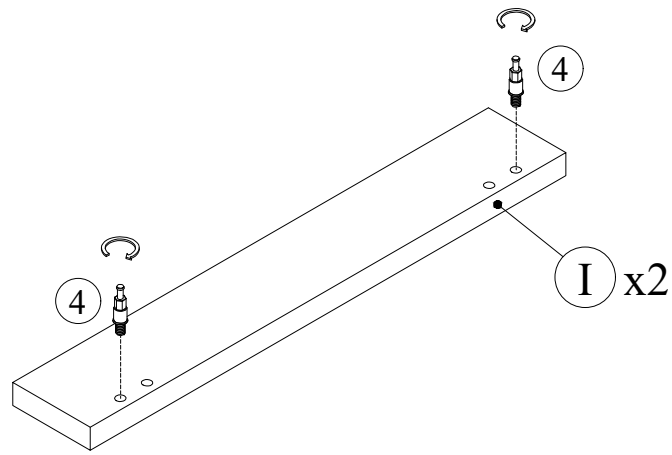
No.	Hardware	Q'ty
9	Screws 4x25	2

STEP 5

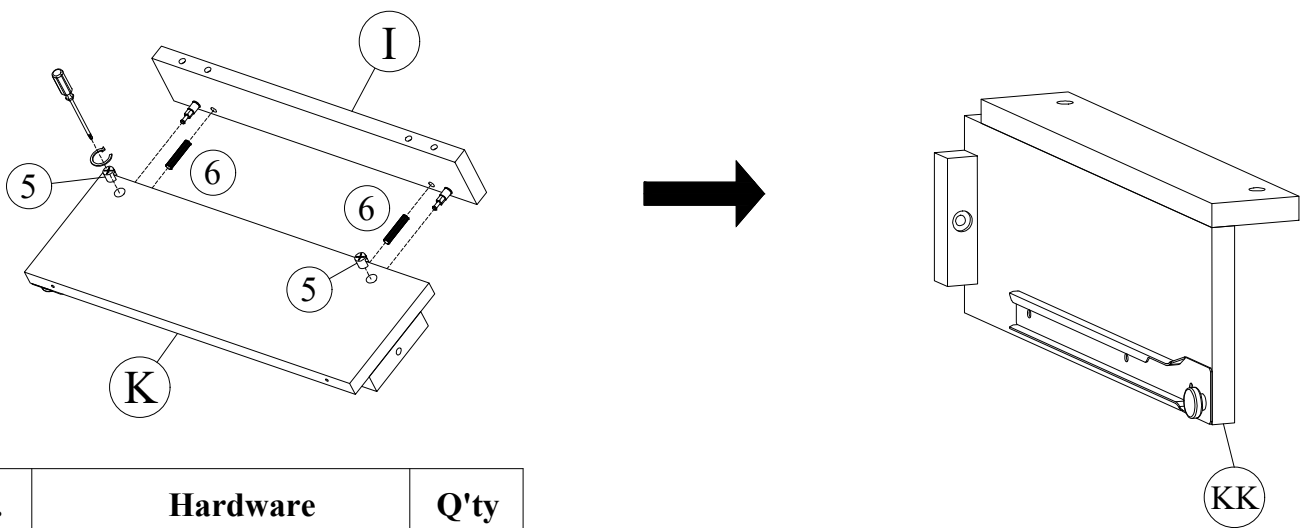
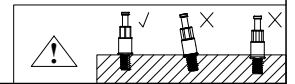


No.	Hardware	Q'ty
1	Allen Bolts 1/4"x35	6
6	Wooden dowels	6
10	Allen key	1

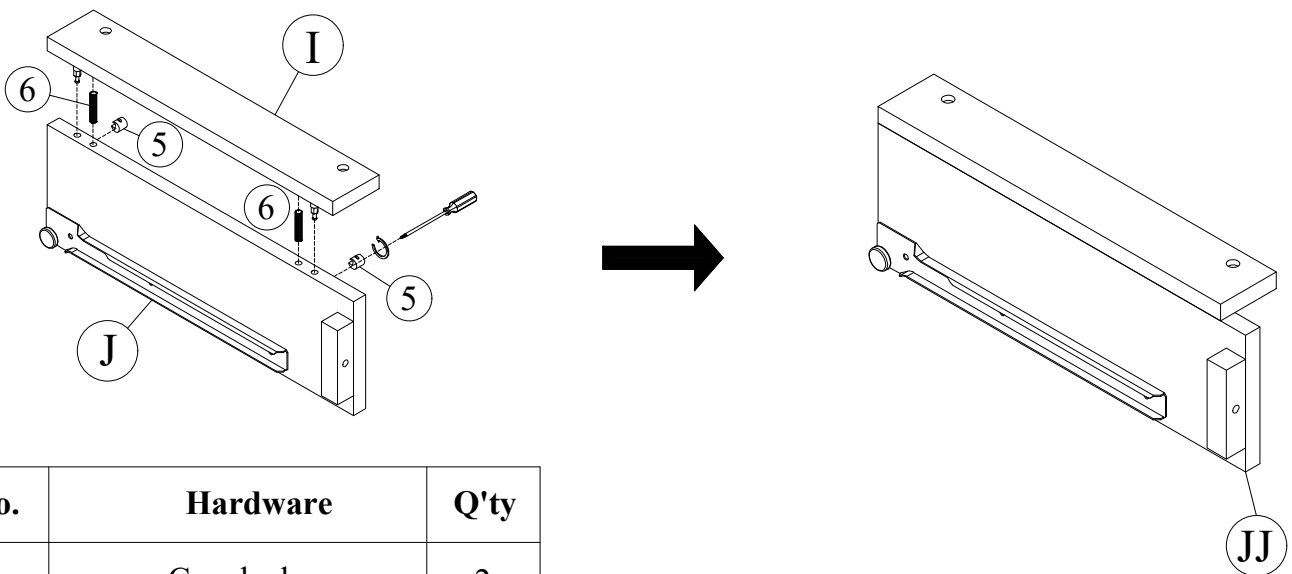
STEP 6



No.	Hardware	Q'ty
4	Cam lock screws	4

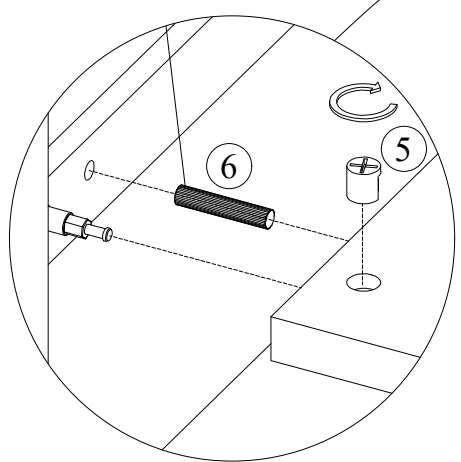
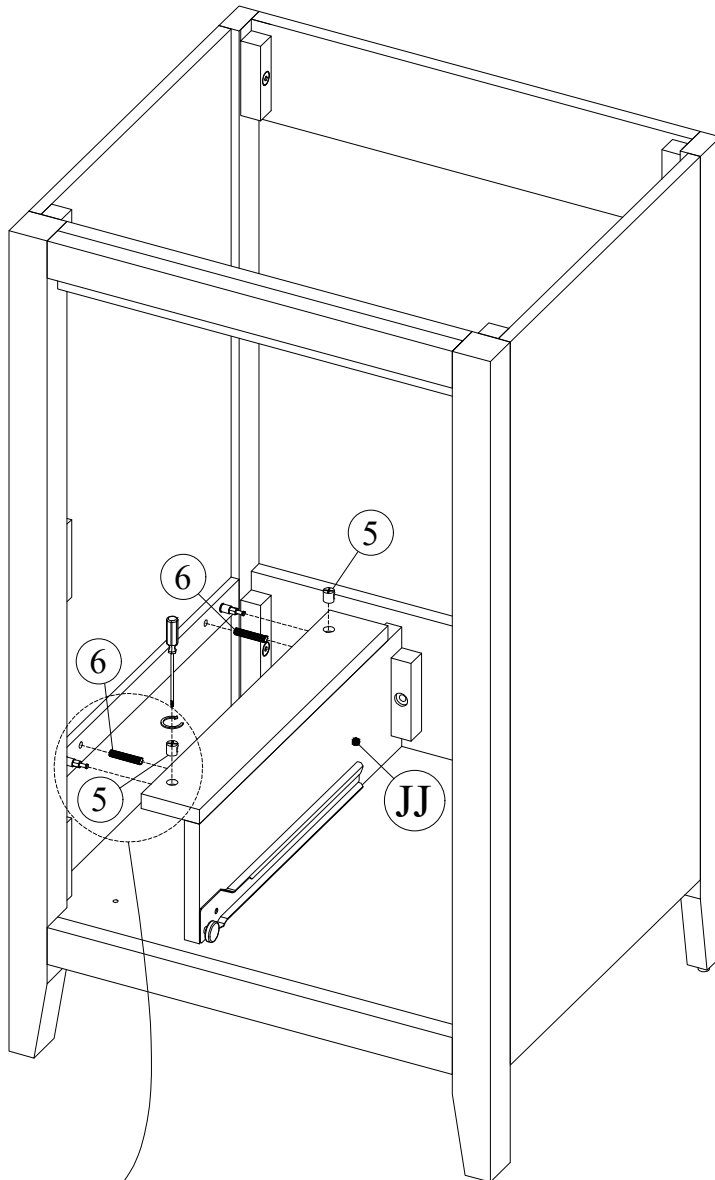


No.	Hardware	Q'ty
5	Cam locks	2
6	Wooden dowels	2



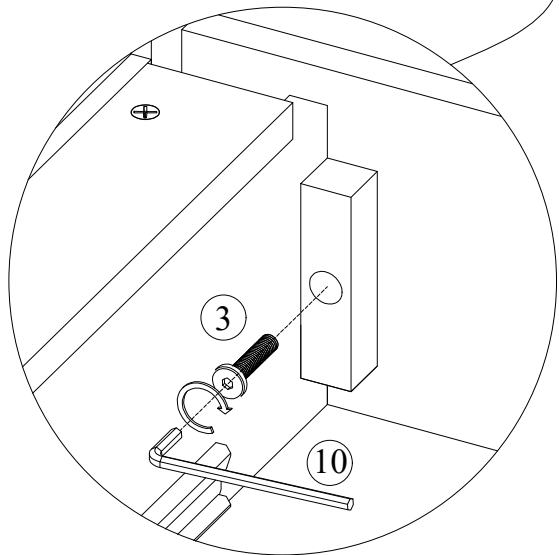
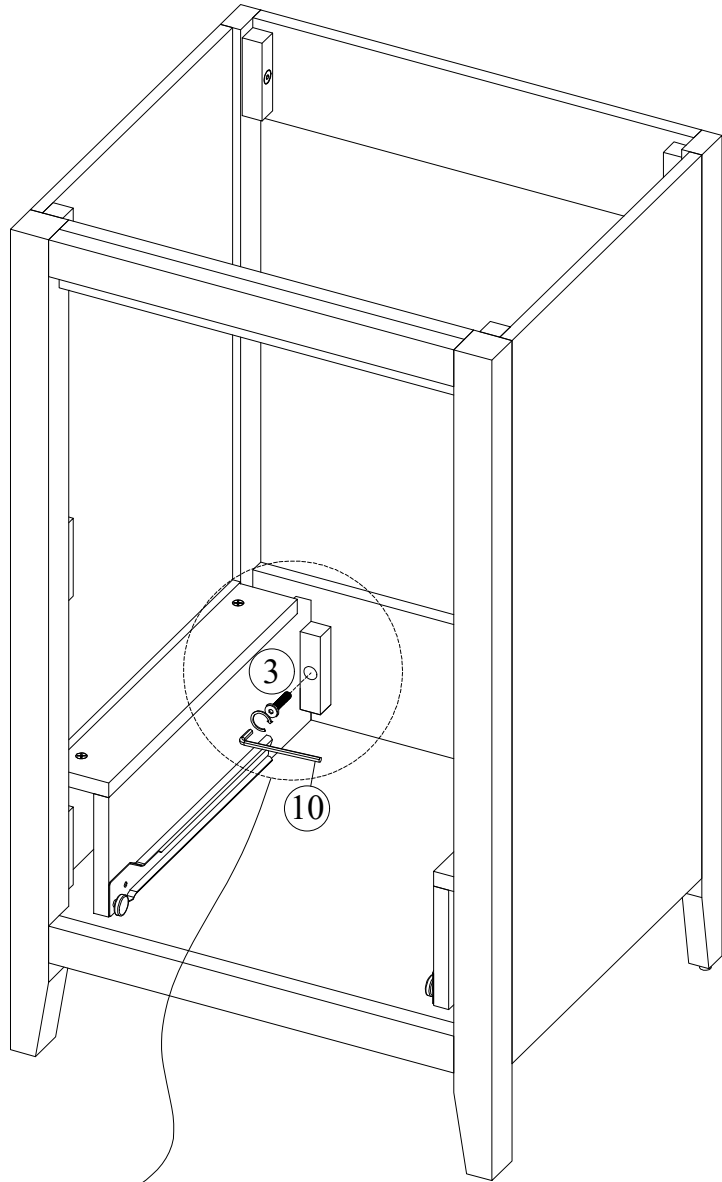
No.	Hardware	Q'ty
5	Cam locks	2
6	Wooden dowels	2

STEP 7



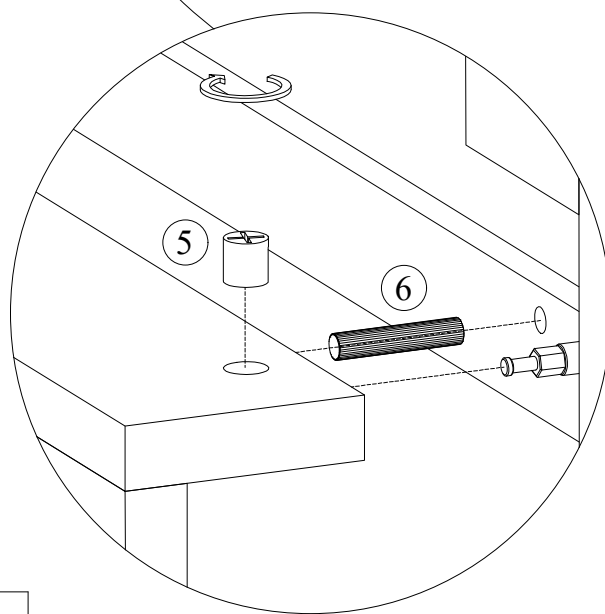
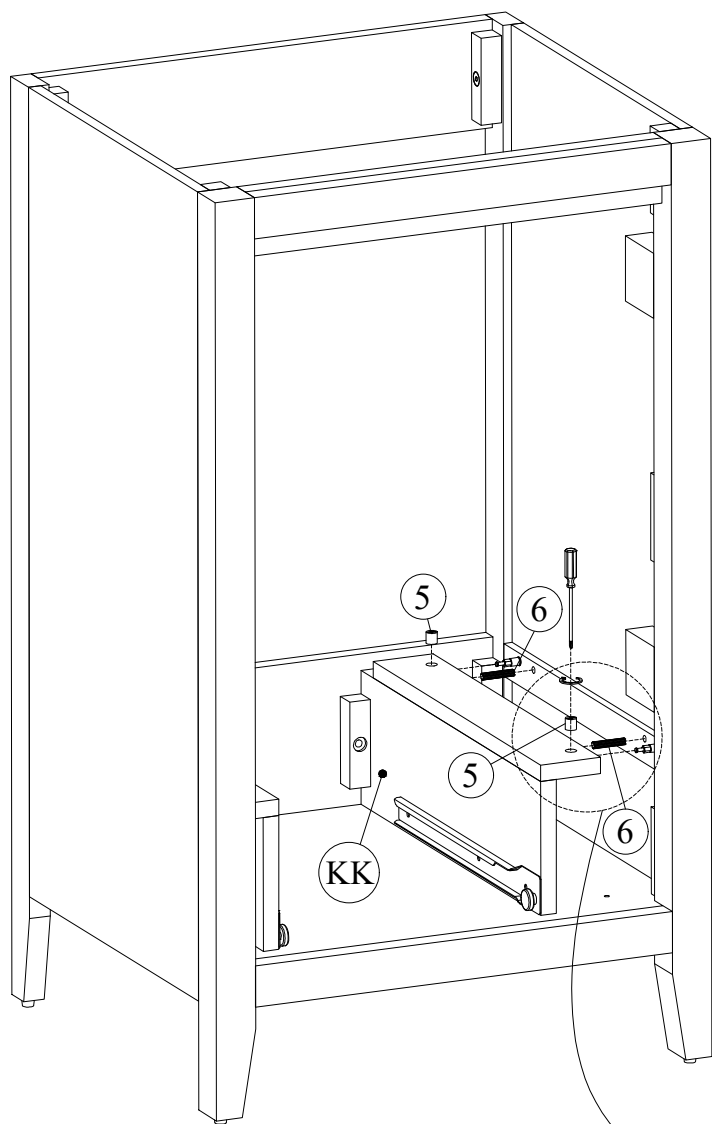
No.	Hardware	Q'ty
5	Cam locks	2
6	Wooden dowels	2

STEP 8



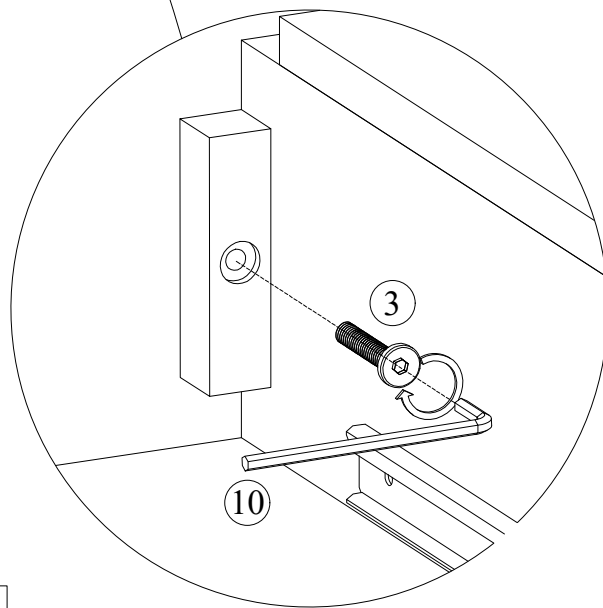
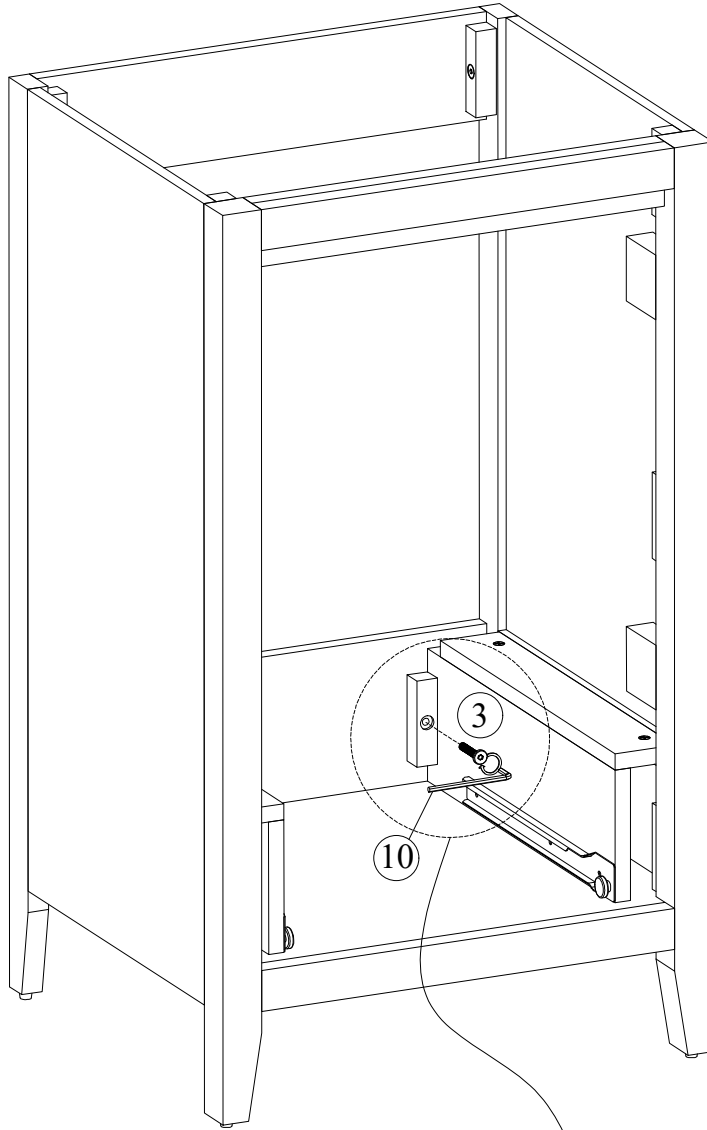
No.	Hardware	Q'ty
3	Allen Bolts 1/4"x25	1
10	Allen key	1

STEP 9



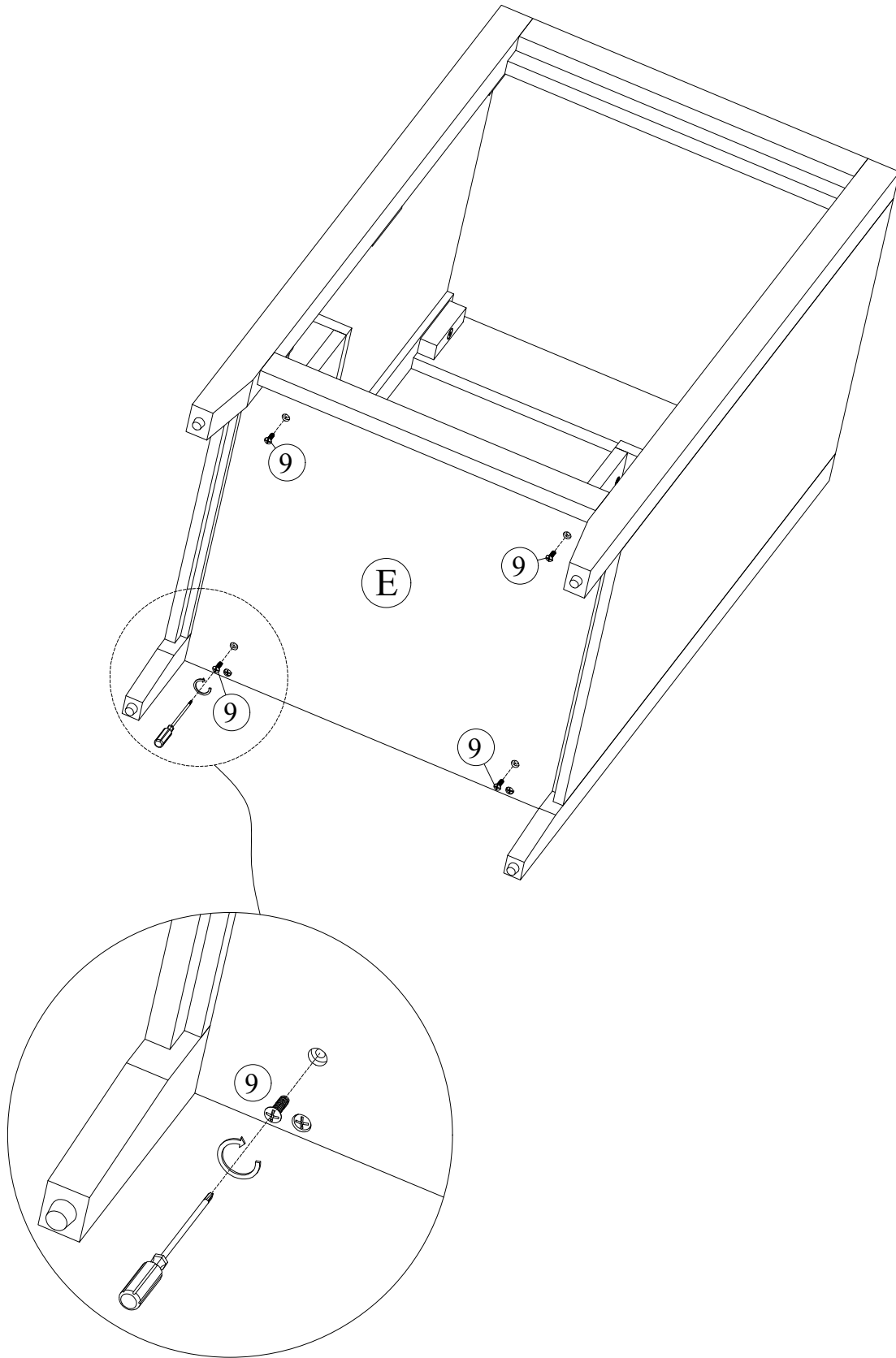
No.	Hardware	Q'ty
5	Cam locks	2
6	Wooden dowels	2

STEP 10



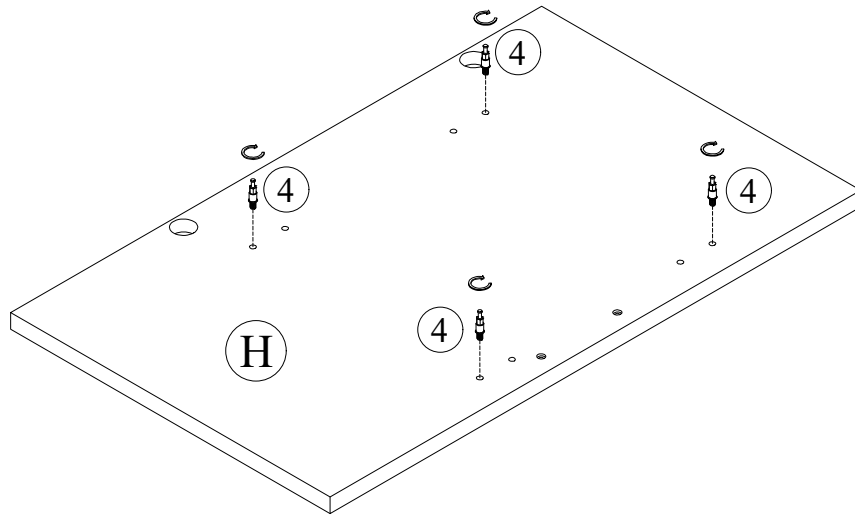
No.	Hardware	Q'ty
3	Allen Bolts 1/4"x25	1
10	Allen key	1

STEP 11

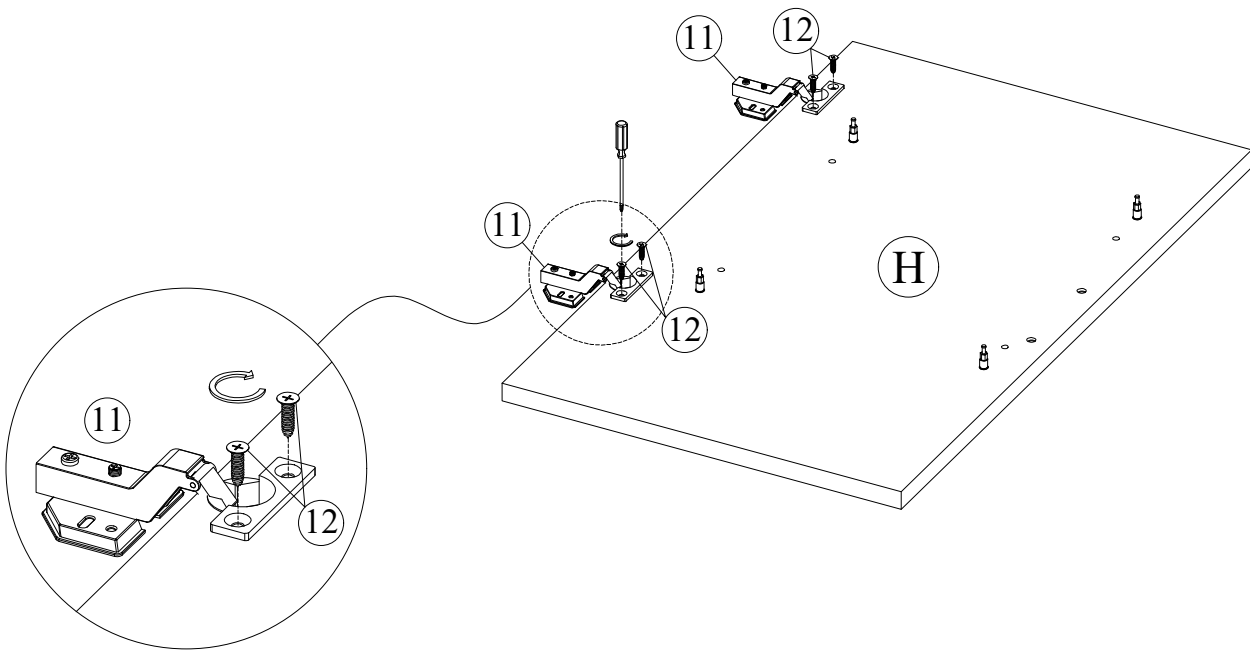
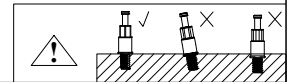


No.	Hardware	Q'ty
9	Screws 4x25	4

STEP 12

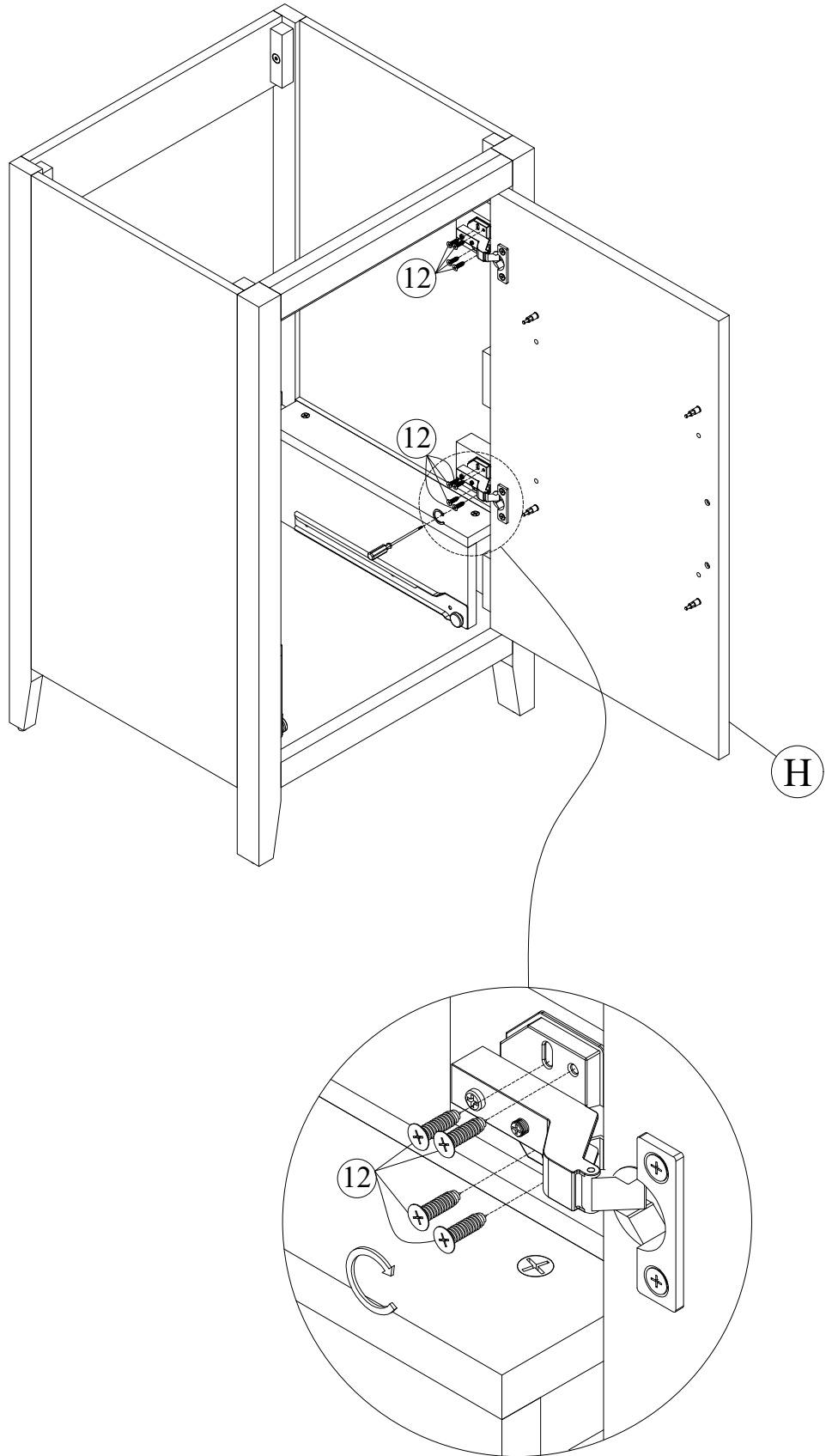


No.	Hardware	Q'ty
4	Cam lock screws	4



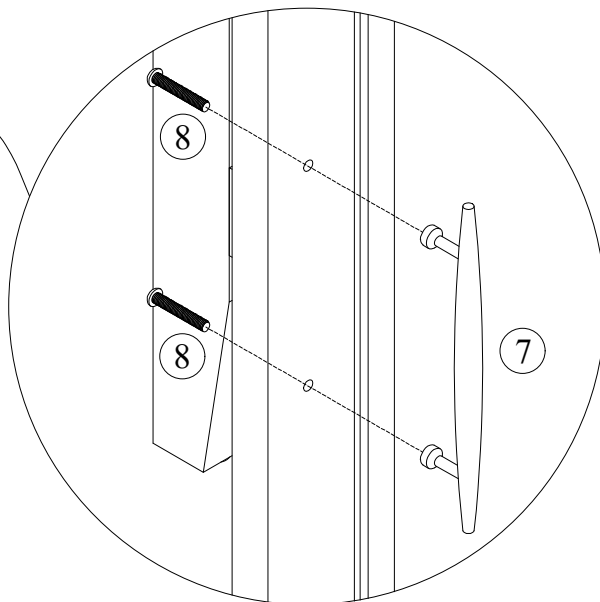
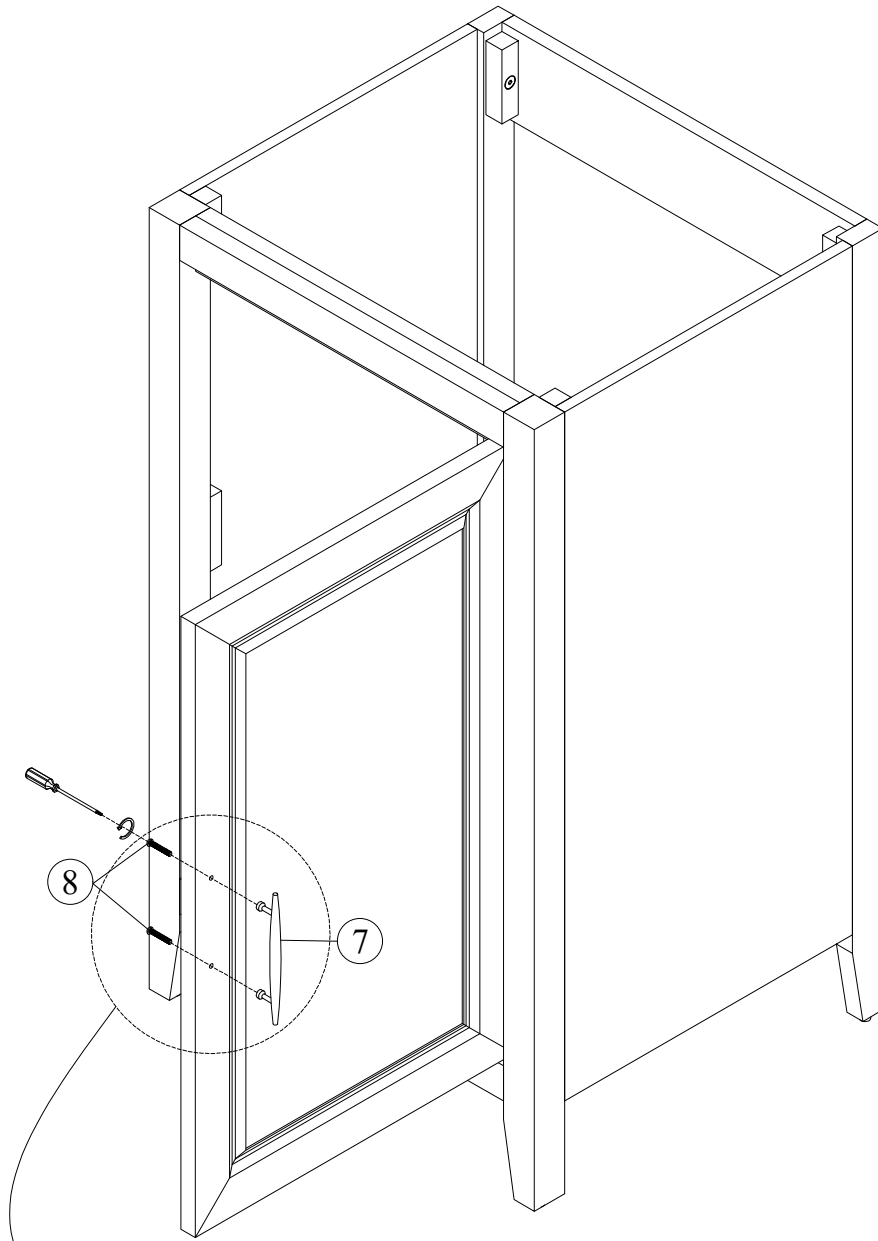
No.	Hardware	Q'ty
11	Hinges	2
12	Screws 4x15	4

STEP 13



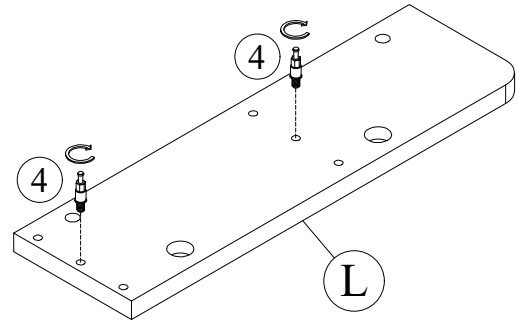
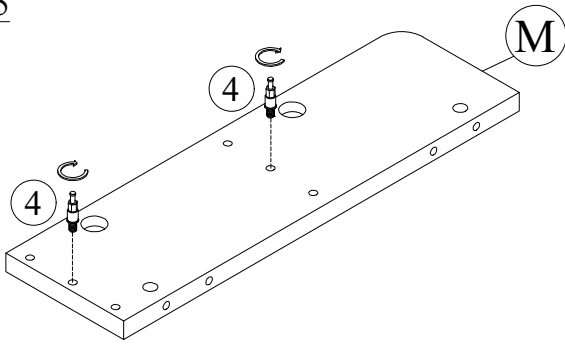
No.	Hardware	Q'ty
12	Screws 4x15	8

STEP 14

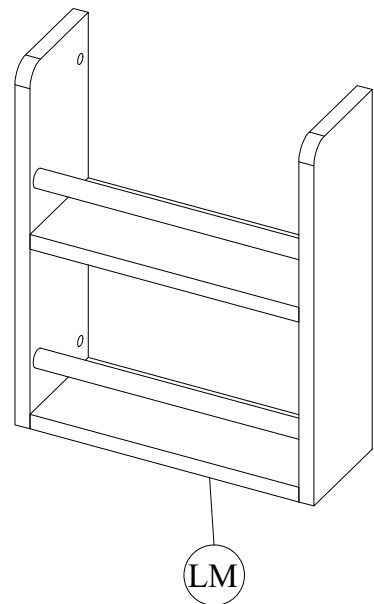
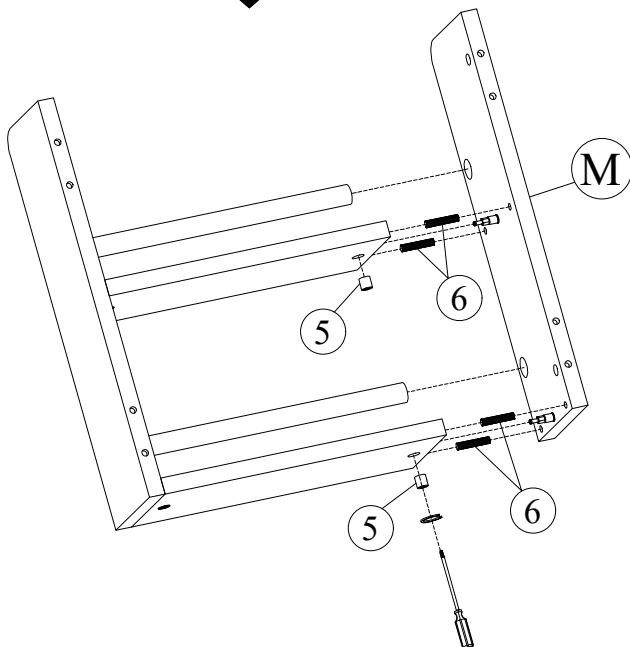
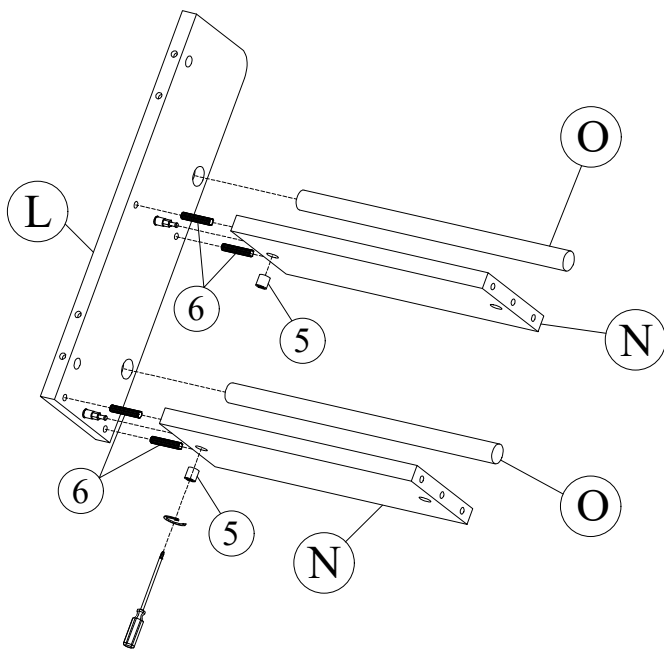
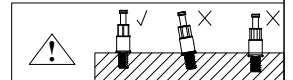


No.	Hardware	Q'ty
7	Handles	1
8	Bolt M4x20	2

STEP 15

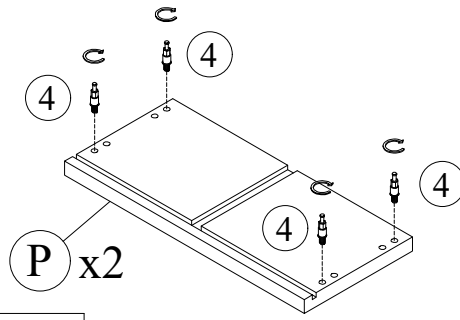


No.	Hardware	Q'ty
4	Cam lock screws	4

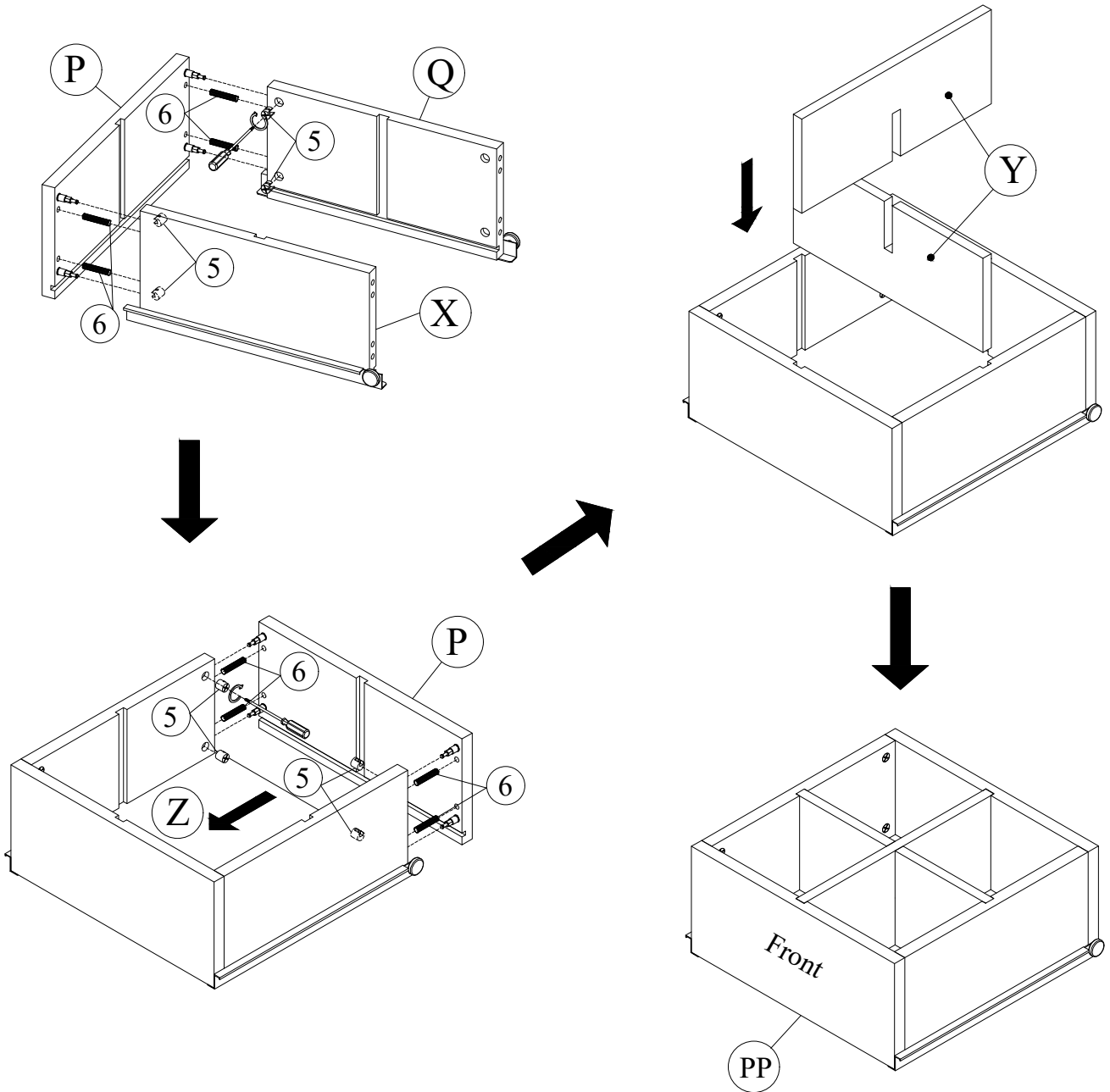
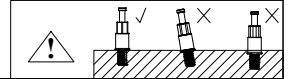


No.	Hardware	Q'ty
5	Cam locks	4
6	Wooden dowels	8

STEP 16

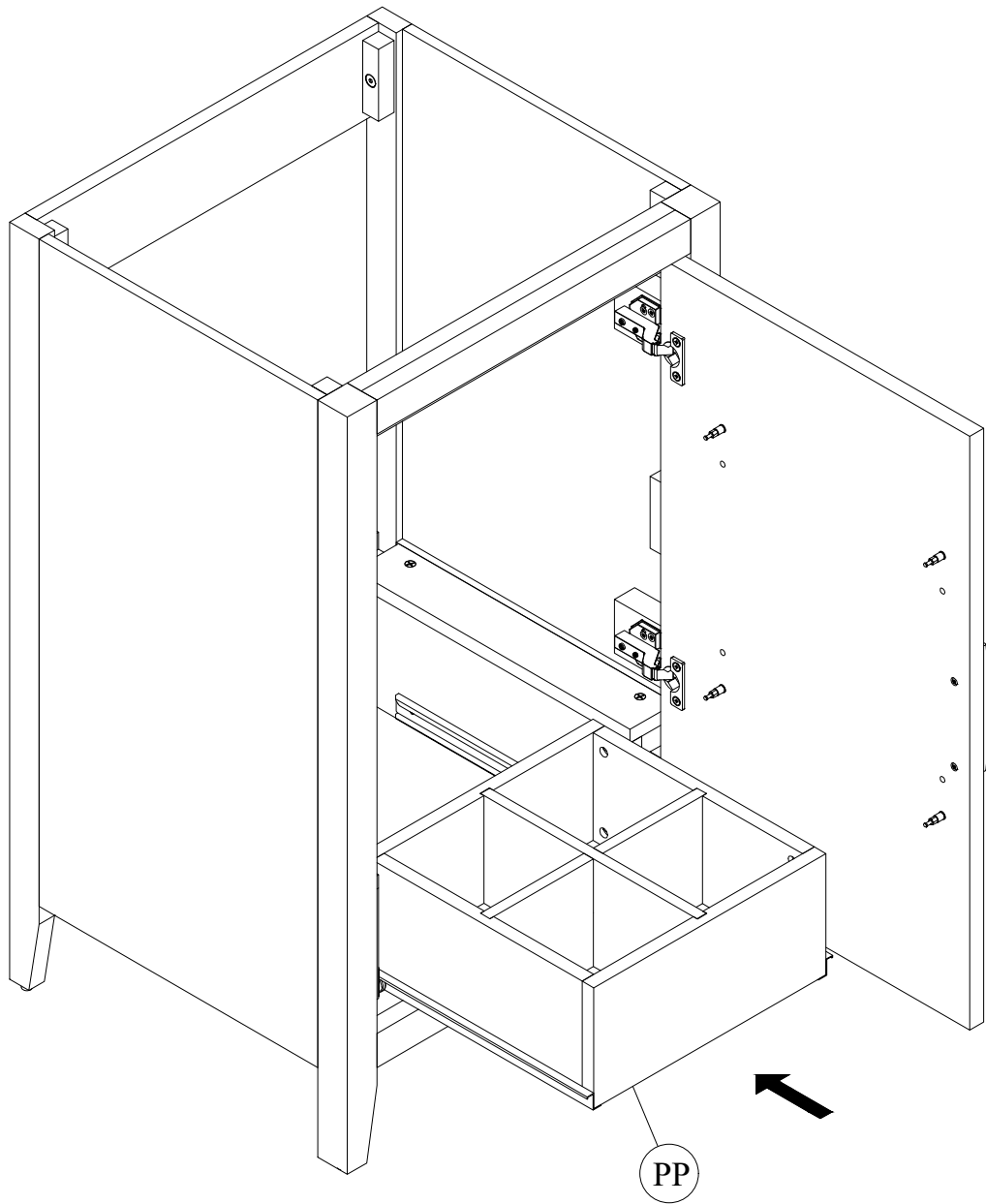


No.	Hardware	Q'ty
4	Cam lock screws	8

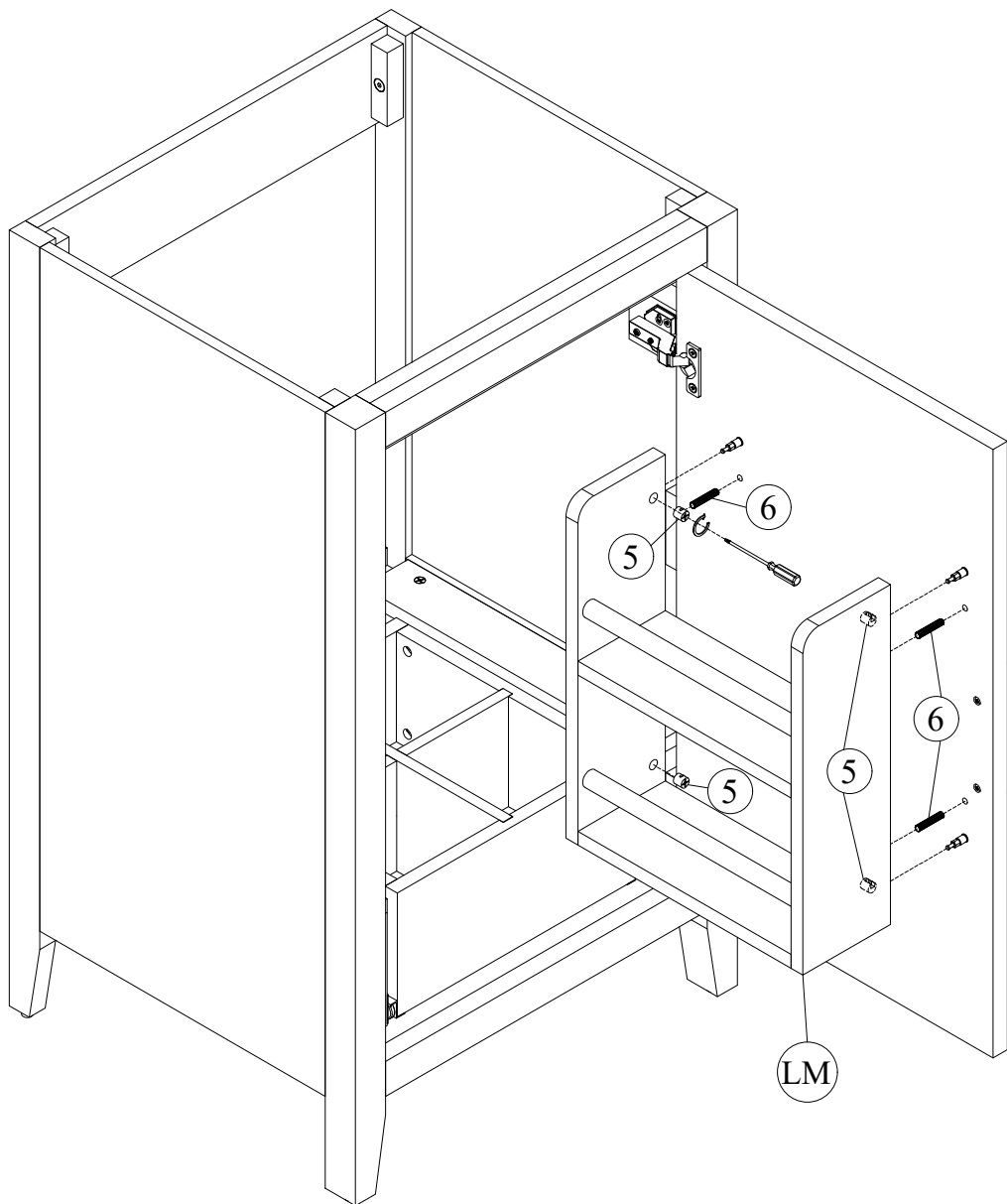


No.	Hardware	Q'ty
5	Cam locks	8
6	Wooden dowels	8

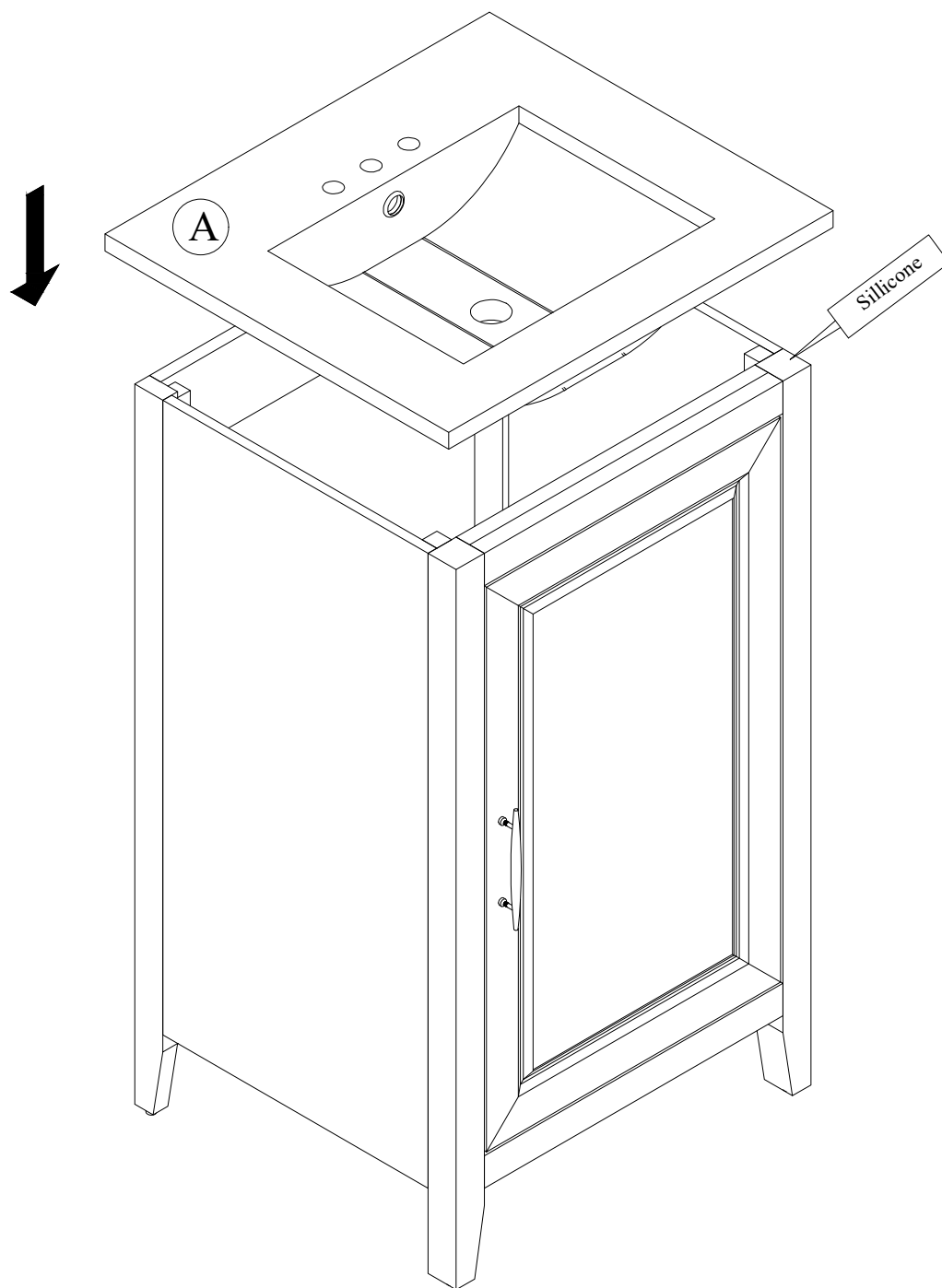
STEP 17



STEP 18



No.	Hardware	Q'ty
5	Cam locks	4
6	Wooden dowels	4



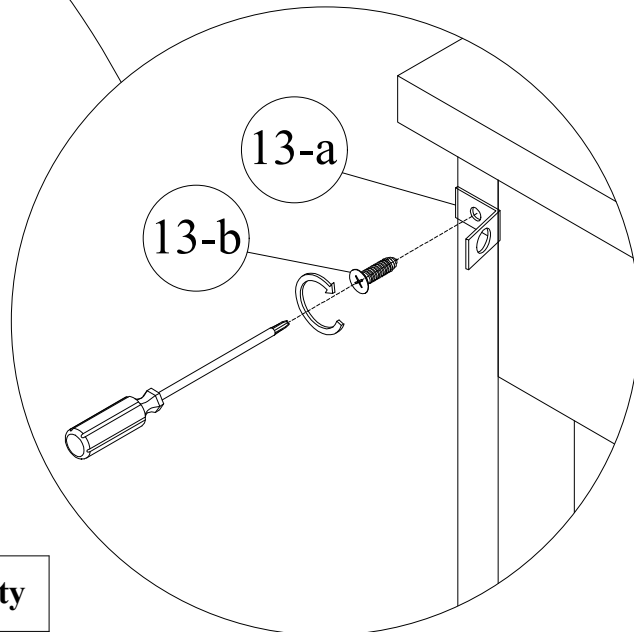
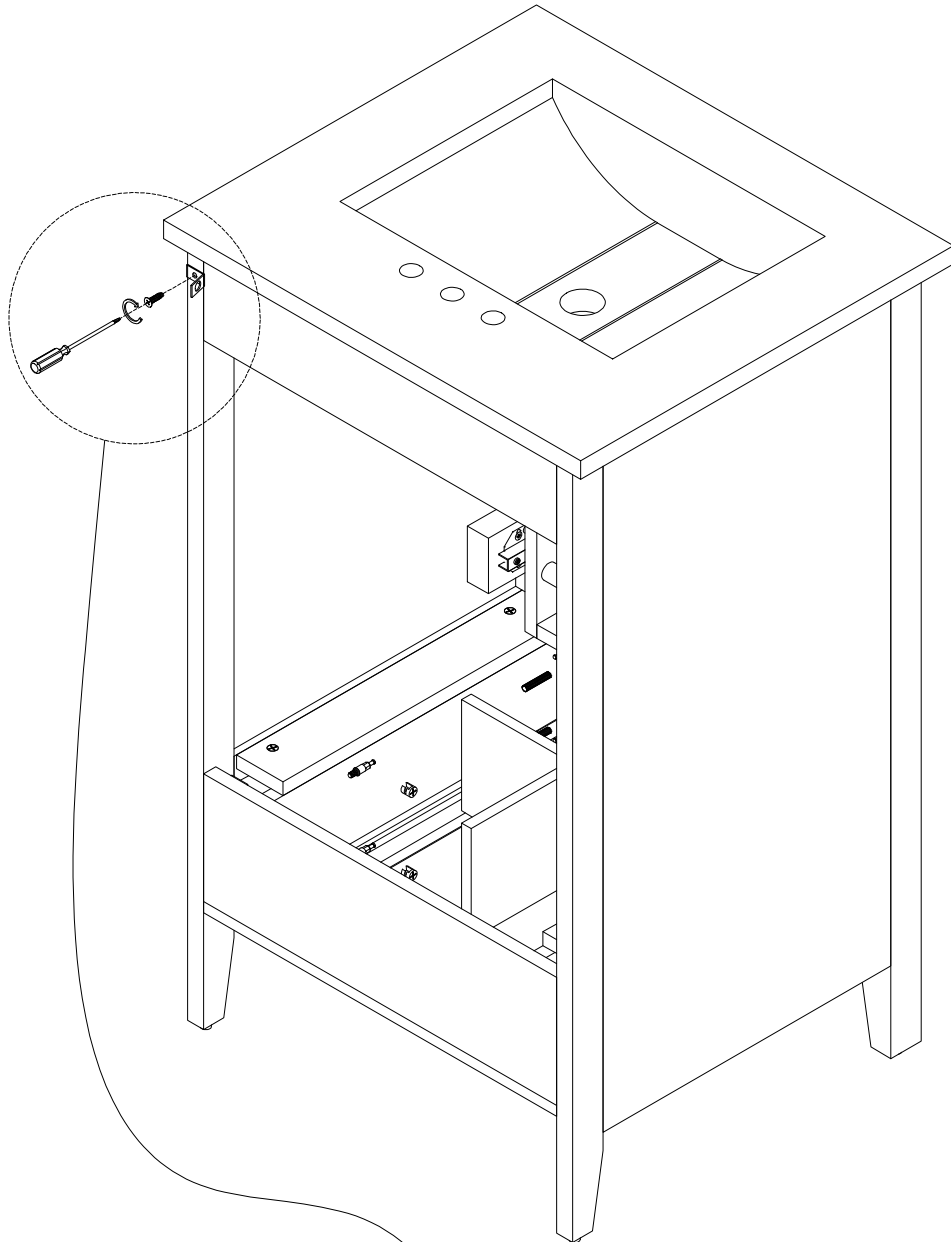
Install the Sink on the cabinet with glue.



Let stand for 24 hours.

Apply silicone caulk to the top edge of the wood cabinet.

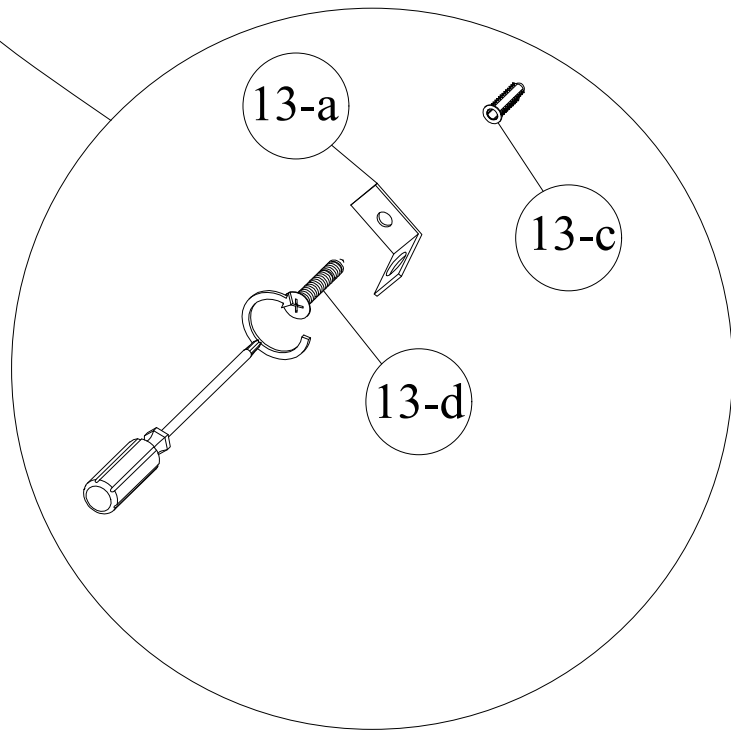
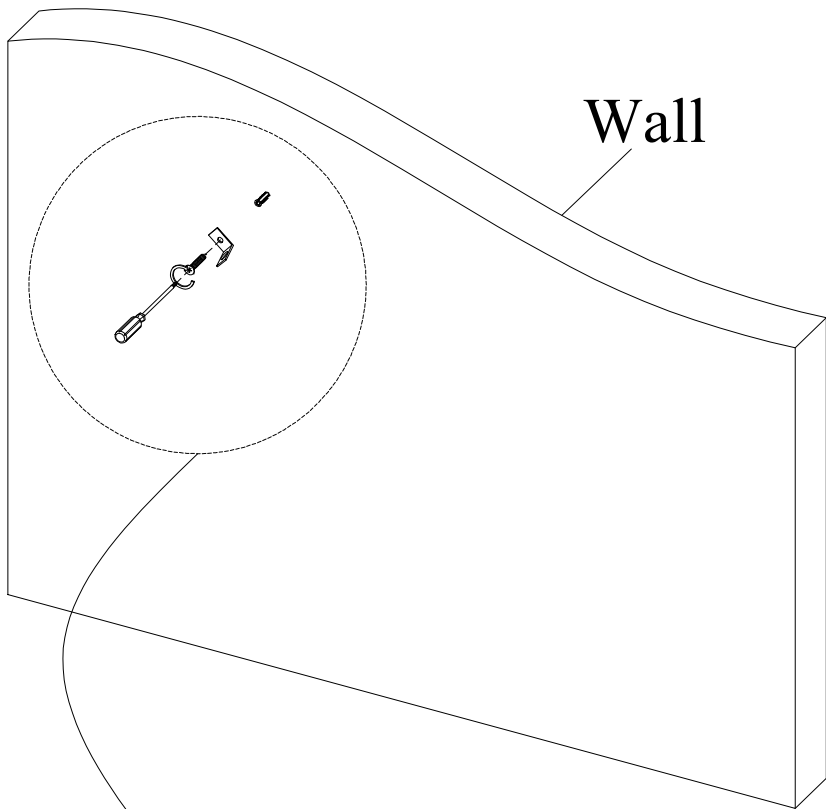
With the help of another adult, gently lower the Sink top with assembled sink onto the cabinet.




STEP 20



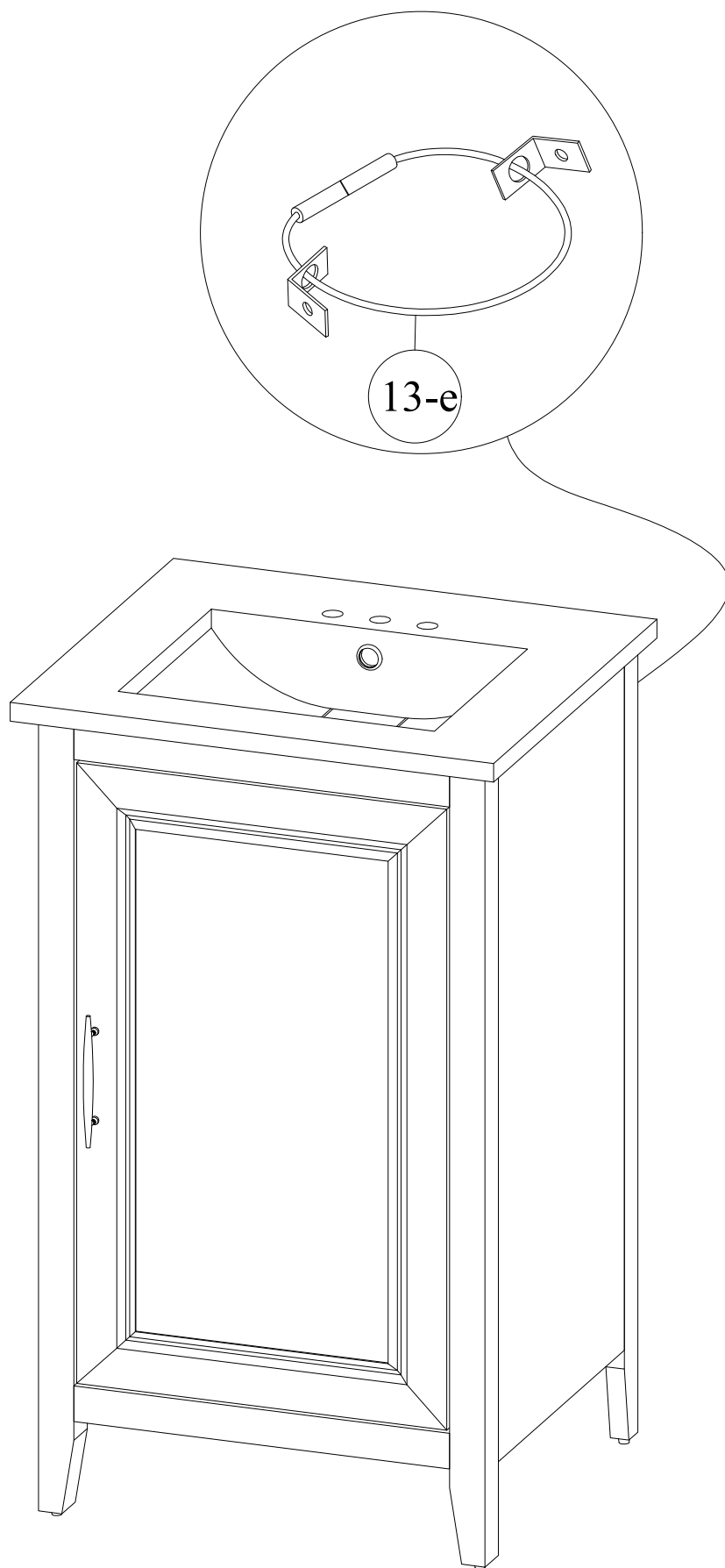
No.	Hardware	Q'ty
13-a		1
13-b		1

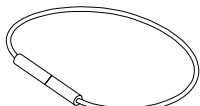
STEP 21



No.	Hardware	Q'ty
13-a		1
13-c		1
13-d		1

STEP 22



No.	Hardware	Q'ty
13-e		1

FINISH

