

15 Services and repairs

If your INJUSA car needs repairs, an assistance service, replacement parts, has been damaged, or if you have any questions regarding this item, PLEASE DO NOT RETURN IT TO THE PLACE WHERE IT WAS PURCHASED.

We will be delighted to help you via our customer service department, where we can offer you the best assistance.
You can contact the service department for your country:

SPAIN ☎ +34 965550862
FAX: +34 965553356
@ service@injusa.com
www.injusa.com
📍 Industrial Juguetera S.A.
Avda. Azorín, N°20
España
03440 Ibi (Alicante)

MEXICO ☎ (55) 5879-5194
@ mexico.service@injusa.com
📍 CENTRO DE SERVICIO
Montesur Mz. 5 Lt.3-18
Colonial del Lago
54475 Nicolás Romero,
Estado de México

📞
WhatsApp +34 605 83 09 05

Direct after-sales service

INSTRUCTION MANUAL

PORSCHE "Spyder 718 RS"

7210/001
7216/001
7217/001
7218/001

12V



INJUSA



Warning

⚠ WARNING:
Adult assembly required because it contains potentially hazardous sharp edges, sharp points and small parts in its unassembled state.

⚠ WARNING:
CHOKING HAZARD
Small parts. Not for children under 3 years.

Conforms to the requirements of ASTM Standard Consumer Safety Specification on Toy Safety, F 963
(Industrial Juguetera S.A. - Avda. de azorin, 20 - 03440 Ibi (Alicante) - Spain

07/24 - V.1

PATENTED MODEL AND DESIGN © INJUSA

1 Congratulations

Thank you for buying your PORSCHE car from Injusa.

To ensure you and your child enjoy your purchase safely and for as long as possible, we recommend you read these instructions carefully and keep them safe for future reference.

By following the instructions and recommendations provided, you will enjoy this product properly and safely. Should you have any questions, contact the customer service department in your country, or contact us via our webpage web www.injusa.com.

The design of the product included are subject to the intellectual property rights owned by Industrial Juguetera, S.A..



12V7AH



12V12000 RPM of 550# driving motor
12V4800 RPM of 380# steering moto



30 Kg.



3 - 8 Km/h



+37 - 95 meses / mois / monhs / monate / mesi / maanden



8 - 12h.



Input: 110V
Output 12V: DC12V 1000mA



1080 x 640 x 440mm.

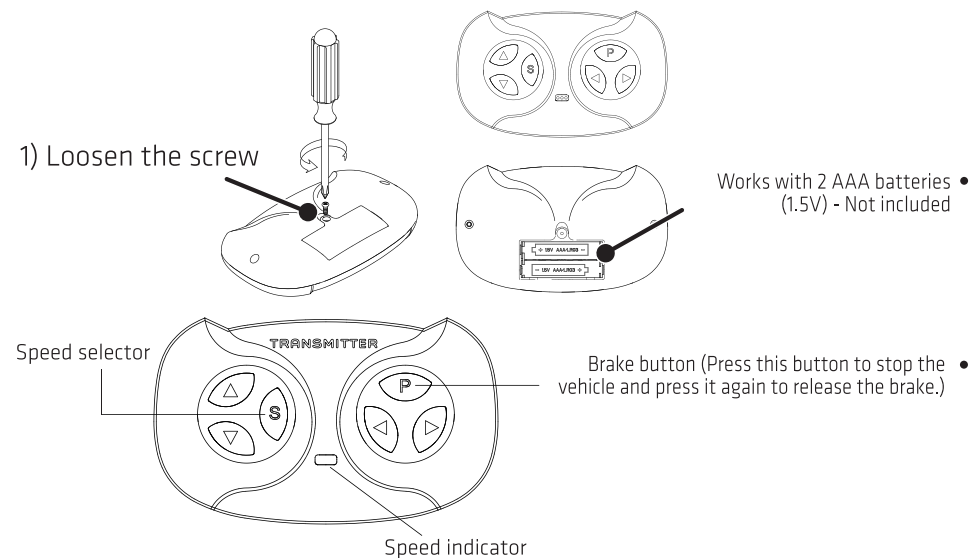


R/C

AAA 1,5V (x2) - Not included

14 Radio control

1) Loosen the screw



RADIO CONTROL CONTROLS.

To activate the remote control of the item, you need to synchronize the remote control with the item using a frequency signal. Once the devices are linked, no other external device (toy) can be controlled with the same controller.

Button function: the "S" button is the car speed selector.

(It has 3 speeds: low, medium and high that will be shown on the red LED indicator on the remote)

This switch makes the vehicle go in fast, normal or slow gear.

When the vehicle moves backwards, it will only operate in slow gear.

Instructions for the 2.4G radio control remote control:

STEP 1: TURN OFF THE CAR POWER BUTTON.

STEP 2: HOLD THE ▲ & ▼ BUTTONS FOR 3 SECONDS TO START PAIRING WITH THE CONTROLLER.

STEP 3: TURN ON THE CAR AND THE RED LED INDICATOR ON THE REMOTE SHOULD STOP FLASHING. (ONCE THIS HAPPENS THE LINK OF THE CONTROLLER WITH THE CAR WILL HAVE BEEN CORRECTLY ESTABLISHED.)

The remote control will take priority over operating the vehicle with the pedal. (The pedal will not work if you are using the remote control).

Warning! Not suitable for children under 36 months. Small pieces.

Changing from manual driving mode to radio control mode, and vice versa, must always be done by an adult.

Non-rechargeable batteries should not be charged.

Different types of batteries, whether new or used, should not be mixed.

Make sure batteries are placed in their correct polarity position.

Used batteries must be removed from the product.

Keep the packaging, it contains important information.

Changing batteries must be carried out by an adult.

Recharge batteries only under adult supervision.

Do not short circuit the power terminals.

Warning: Use of the remote control must be done by an adult.

Warning the remote control is not a toy. It is for adult use only, and should not be used by a child. Close adult supervision is always required. Reception range may change significantly with weather, battery and other environmental conditions.

Do not mix alkaline, standard (carbon-zinc), or rechargeable batteries.

Manufactured in accordance with FCC certification tests and with EMC credentials.

13 Troubleshooting

PROBLEM: THE VEHICLE DOES NOT WORK.

- CAUSE OF THE PROBLEM: THE BATTERY IS INSUFFICIENT.
- PROPERLY CHARGE THE ITEM AFTER EACH USE AND CHARGE IT AT LEAST ONCE A MONTH. IT IS RECOMMENDED TO CHARGE BETWEEN 8 AND 12 HOURS (NO MORE THAN 20 HOURS.)

PROBLEM: THE VEHICLE ONLY WORKS FOR A SHORT PERIOD OF TIME.

- CAUSE OF THE PROBLEM: THE BATTERY IS INSUFFICIENT.
- PROPERLY CHARGE THE ITEM AFTER EACH USE AND CHARGE IT AT LEAST ONCE A MONTH. IT IS RECOMMENDED TO CHARGE BETWEEN 8 AND 12 HOURS (NO MORE THAN 20 HOURS.)
- THE BATTERY MAY NEED TO BE REPLACED DEPENDING ON THE HISTORY OF CHARGING AND USE IT MAY HAVE HAD.

PROBLEM: SOUNDS DO NOT WORK.

- MAKE SURE THE VOLUME IS HIGH AND THE MP3 JACK CABLE IS NOT CONNECTED. PLEASE NOTE THAT THE STEERING WHEEL SOUNDS DO NOT WORK WHILE THE MP3 SYSTEM JACK IS CONNECTED.

PROBLEM: CHARGER OVERHEATS.

- IT IS NORMAL FOR BOTH THE BATTERY AND THE CHARGER TO BE SLIGHTLY HOT DURING THE VEHICLE CHARGING PROCESS. IF YOU NOTE THAT THE CHARGER GETS EXCESSIVELY HOT, DISCONNECT IT AND CHECK IF THERE COULD BE AN OVERCHARGE OR A SHORT CIRCUIT IN THE BATTERY.

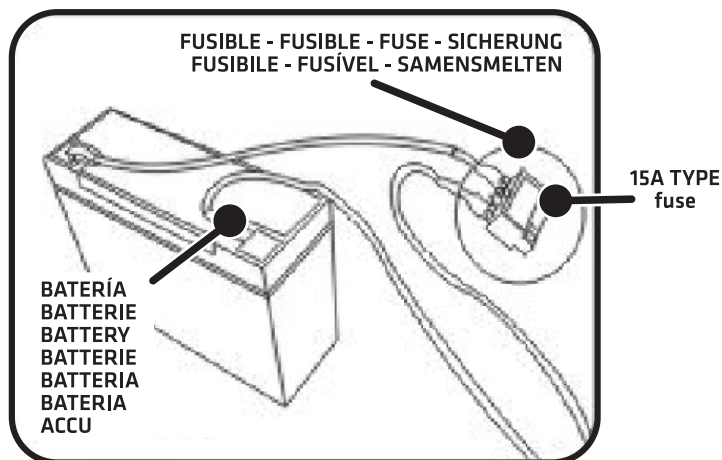
TO PREVENT A SHORT CIRCUIT OR SAFETY FUSE CUTOUT:

- DO NOT OVERLOAD THE VEHICLE. MAXIMUM SUPPORTED WEIGHT 30KG.
- DO NOT DRAG ANY WEIGHT OR LOAD WITH THE VEHICLE.
- DO NOT POUR WATER OR ANY TYPE OF LIQUID NEAR THE ELECTRICAL PARTS.
- DO NOT REPLACE THE WIRING SYSTEM WITHOUT PROFESSIONAL SUPERVISION.



WARNING:

Batteries should only be handled by an adult.



2 Index

• Safety	3
General warnings	3
Warnings about charging the battery	3
User warnings	3
• Parts	4
• Assembly	5
• Assembly	6
• Assembly	7
• Assembly	8
• Assembly	9
• Car controls	10
• Connections and operation	11
• Maintenance	11
• Warnings	12
• Battery replacement	12
• Troubleshooting guide	13
• Radio control	14
• Services, repairs	15



INDUSTRIAL JUGUETERA, S.A.

AVDA. DE AZORÍN, 20
03440 IBI (ALICANTE) ESPAÑA
TEL.: 96 555 08 62 / FAX: 96 555 33 56
www.injusa.com / info@injusa.com

Made in China

3 Safety

GENERAL WARNINGS

- USE UNDER THE SUPERVISION OF AN ADULT. READ THE INSTRUCTIONS BEFORE USING THIS PRODUCT. FOLLOW THEM CAREFULLY AND RETAIN THEM FOR FUTURE REFERENCE. KEEP THE INSTRUCTIONS FOR FUTURE REFERENCE, IT HAS RELEVANT INFORMATION.
- THE VEHICLE MUST BE ASSEMBLED BY AN ADULT. REMOVE THE ASSEMBLY TOOLS AND FIXINGS BEFORE GIVING THE TOY TO A CHILD.
- INCORRECT ASSEMBLY OF THE STEERING WHEEL AND THE WHEELS COULD BE DANGEROUS.
- DO NOT OVERLOAD THE VEHICLE. IT IS DESIGNED FOR USE BY A CHILD.
- DO NOT LEAVE THE VEHICLE CLOSE TO A HEAT SOURCE (RADIATORS, ETC.).

WARNINGS ABOUT CHARGING THE BATTERY

- THIS ITEM CAN ONLY BE USED WITH A RECHARGEABLE 12V BATTERIE AND A 12V BATTERY CHARGER SPECIFIED BY INJUSA. ONLY USE THE BATTERIES AND CHARGER SPECIFIED BY THE MANUFACTURER. WARNING: FOR THE PURPOSES OF RECHARGING THE BATTERY, ONLY USE THE DETACHABLE SUPPLY UNIT PROVIDED WITH THIS TOY.
- THE CHARGER IS NOT A TOY.
- DO NOT MIX DIFFERENT TYPES OF BATTERIES, OR MIX NEW WITH USED ONES.
- INSERT THE BATTERIES ACCORDING TO THE CORRECT POLARITY.
- DO NOT SHORT-CIRCUIT THE POWER TERMINALS.
- ONLY AN ADULT WHO HAS READ AND UNDERSTOOD THE SAFETY WARNINGS SHOULD HANDLE, CHARGE, OR RECHARGE THE BATTERY.
- THE BATTERY'S PROTECTIVE COVER SHOULD BE REMOVED AND REPLACED BY AN ADULT USING AN APPROPRIATE TOOL, WHICH MUST BE KEPT OUT OF THE REACH OF CHILDREN.
- WHEN THIS PRODUCT LEAVES THE FACTORY, THE BATTERIES ARE FULLY CHARGED, BUT BEFORE USING IT FOR THE FIRST TIME YOU WILL NEED TO CHARGE THEM AGAIN FOR MAXIMUM EFFECTIVENESS.
- ONLY CHARGE IN A WELL-VENTILATED AREA.

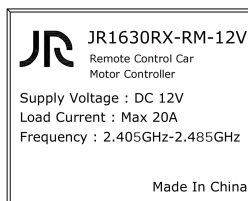
USER WARNINGS

- WARNING. THIS ARTICLE IS ONLY FOR USE BY CHILDREN AGED THREE AND ABOVE. THE MAXIMUM WEIGHT OF THE CHILD IS 30KG.
- USE UNDER THE SUPERVISION OF AN ADULT.
- MAKE SURE THE VEHICLE IS USED IN A LARGE ENOUGH SPACE THAT IS ADEQUATE FOR ITS USAGE, IN OTHER WORDS, ON A FLAT SURFACE WITH NO STEPS OR DANGEROUS OBSTACLES.
- TO ENSURE THE PRODUCT IS USED AND HANDLED SAFELY, MAKE SURE THE CHILD KNOWS HOW TO USE THE ACCELERATOR, THE BRAKE AND THE VEHICLE STEERING SYSTEM CORRECTLY.
- THE VEHICLE MUST BE USED WITH CAUTION, AS IT REQUIRES SKILL AND ABILITY TO AVOID FALLS OR COLLISIONS TO THE USER OR THIRD PARTIES. PLEASE MAKE SURE IT IS USED PROPERLY SO THAT IT DOES NOT MEAN A DANGER.
- WARNING. USING THIS ITEM IN PUBLIC AREAS COULD CAUSE AN ACCIDENT.
- WARNING! NOT TO BE USED IN TRAFFIC.
- WARNING! PROTECTIVE EQUIPMENT SHOULD BE WORN. NOT TO BE USED IN TRAFFIC. WE RECOMMEND WEARING HELMET, GLOVES, ELBOW AND KNEE PADS.
- DO NOT TAKE THE VEHICLE INTO WATER OR ONTO SAND.

WARNING: RISK OF FIRE. Do not bypass.
Replace only with universal fuse 15A type.

When changing from manual driving mode to RC driving mode, this change must be made by an adult.

Conforms to the safety requirements of Specification F963, Injusa, Avda. Azorín nº20, Ibi, Alicante, Spain.



12 Warnings

IT IS ADVISABLE TO KEEP THE MANUFACTURER'S ADDRESS, SPECIFICATIONS, COLORS AND CONTENT MAY VARY FROM THE ILLUSTRATION. ELECTRIC. WITH BATTERY AND CHARGER INCLUDED. RECHARGEABLE BATTERY CHILDREN SHOULD WEAR APPROPRIATE SHOES AND PROTECTIVE EQUIPMENT WHEN USING THE VEHICLE. CHILDREN MUST BE SITTING WITH THE SEAT BELT ADJUSTED WHEN DRIVING THE VEHICLE. USE THIS TOY STRICTLY AS SHOWN IN THE SAFETY MANUAL. PLEASE CAREFULLY CHECK THE TIRES, BRAKES, STEERING WHEEL, SEAT AND SEAT BELTS BEFORE USING THE VEHICLE.

ONLY USE THE BATTERY SPECIFIED BY THE MANUFACTURER. ONLY USE THE CHARGER SPECIFIED BY THE MANUFACTURER.

WARNING! KEEP THE INSTRUCTION MANUAL, IT CONTAINS IMPORTANT INFORMATION.

WARNING! TO RECHARGE THE BATTERY, USE ONLY THE CHARGER PROVIDED WITH THIS TOY.DC ADAPTER.

WARNING! THE REMOTE CONTROL IS NOT A TOY. IT IS FOR ADULT USE ONLY AND SHOULD NOT BE USED BY A CHILD. DIRECT ADULT SUPERVISION IS ALWAYS REQUIRED. THE RECEPTION RANGE OF THE R/C CONTROLLER MAY CHANGE SIGNIFICANTLY DEPENDING ON WEATHER, BATTERY AND OTHER ENVIRONMENTAL CONDITIONS.

WARNING! NOT SUITABLE FOR CHILDREN UNDER 36 MONTHS. SMALL PIECES.

WARNING! NOT SUITABLE FOR CHILDREN UNDER 36 MONTHS. LONG CABLES. RISK OF STRANGULATION.

DO NOT USE THIS VEHICLE OUTDOORS WHILE IT IS RAINING.

MAKE SURE THE VEHICLE COMES TO A COMPLETE STOP BEFORE CHANGING FORWARD/REVERSE DIRECTION IT IS COMPLETELY PROHIBITED TO CHANGE OR SUBSTITUTE THE CIRCUIT AND/OR ADD OTHER ELECTRICAL PARTS TO THE WIRING SYSTEM.

ADULTS SHOULD TEACH THEIR CHILDREN THE PROCEDURES FOR SAFE DRIVING, EXPLAINING TO THEM HOW TO MAKE TURN AND HOW TO BRAKE.

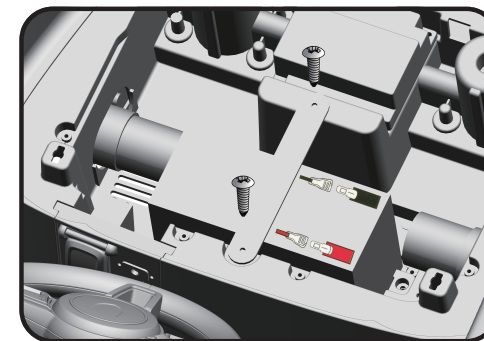
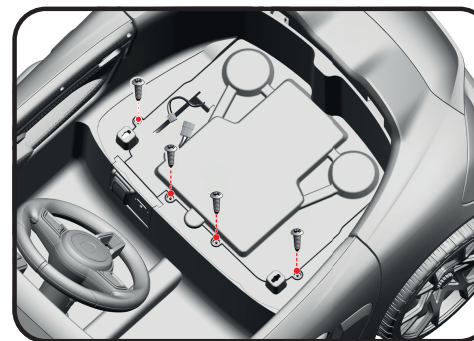
TURN OFF THE VEHICLE WHEN NOT IN USE.

CHECK THE SEAT TO MAKE SURE IT IS PROPERLY INSTALLED AND SECURED.

THE CHARGING SOCKET IS LOCATED UNDER THE SEAT.

DO NOT ALLOW CHILDREN TO TOUCH OR CLOSE TO THE WHEELS WHEN THE CAR IS MOVING.

Battery replacement



- 1- Access the battery, housed under the seat.
- 2- Unscrew the screws on the battery cover.
- 3- Unscrew the screws on the battery retaining piece.
- 4- Disconnect the battery terminals.
- 4- Replace the battery.
- 5- Connect the terminals to the new battery again.
(Be sure to connect the battery terminals following correct polarity)
- 6- Screw back the screws on the battery retaining piece.
- 7- Screw back the battery cover screws.
- 8- Put the seat back in the car. (indications on page 14)

11 Connections and operation

BATTERY CHARGE

- ONLY AN ADULT WHO HAS READ AND UNDERSTANDS THE SAFETY WARNINGS SHOULD HANDLE, CHARGE OR RECHARGE THE BATTERY.
- WHEN LEAVING THE FACTORY, THE BATTERIES ARE PERFECTLY CHARGED, BUT BEFORE USING THEM IT IS NECESSARY TO CHARGE THEM ONE MORE TIME TO ACHIEVE MAXIMUM EFFICIENCY.
- IMPORTANT: CONNECTIONS MUST BE MADE BY AN ADULT.

1. LOCATE THE CHARGING SOCKET.

2. CONNECT THE CHARGER TO THE CHARGING SOCKET.

3. CONNECT THE CHARGER TO THE POWER SUPPLY.

4. ONCE THE BATTERY IS CHARGED, DISCONNECT THE CHARGER FROM THE CHARGING SOCKET, AND IN TURN, DISCONNECT THE CHARGER FROM THE POWER SOCKET.

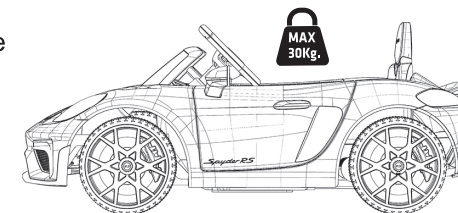
- THIS VEHICLE IS EQUIPPED WITH AN ELECTRIC BRAKE. WHEN YOU RELEASE THE ACCELERATOR GRIP, THE VEHICLE WILL STOP AUTOMATICALLY.
- MAKE SURE THAT CHILDREN KNOW HOW TO CORRECTLY USE THE VEHICLE AND, ABOVE ALL, THE BRAKING SYSTEM.

Maintenance

- WARNING! FAILURE TO CARRY OUT THESE CHECKS AND MAINTENANCE RECOMMENDATIONS COULD CAUSE A FALL OR OVERTURN.
- REGULARLY CHECK THE CONDITION OF THE VEHICLE, ESPECIALLY ALL PARTS RESPONSIBLE FOR FASTENING AND THOSE PARTS THAT WEAR OUT.
- MAKE SURE THE STEERING AND BRAKE WORK PROPERLY.
- CLEAN THE TOY WITH THE CHARGER DISCONNECTED.
- DO NOT USE ABRASIVE CLEANING PRODUCTS OR SPRAY DIRECTLY WITH WATER. TO CLEAN THE VEHICLE, USE A CLOTH SLIGHTLY DAMPENED WITH WATER. NEVER WET PARTS OF THE VEHICLE SUCH AS: THE ENGINE, CABLES, FUSE, BATTERIES AND CONNECTORS.
- THE BATTERY CHARGER USED WITH THE TOY SHOULD BE REGULARLY EXAMINED FOR DAMAGE TO THE POWER CORD, PLUG, CASING AND OTHER PARTS, AND IN CASE OF DAMAGE, IT SHOULD NOT BE USED UNTIL THE DAMAGE HAS BEEN REPAIRED.
- WARNING. TO RECHARGE THE BATTERY, USE ONLY THE SEPARATE POWER UNIT SUPPLIED WITH THIS TOY.
- THE BATTERY, CHARGER, CABLES, CONNECTORS AND HOUSING SHOULD BE EXAMINED PERIODICALLY TO AVOID POTENTIAL DANGERS. IN CASE OF DETERIORATION, ALL DEFECTS MUST BE CORRECTED BEFORE USE.
- BY FOLLOWING THESE RULES YOU WILL ENJOY A LONG LIFE. IF THESE INSTRUCTIONS ARE NOT FOLLOWED, INJUSA WAIVES ALL GUARANTEES REGARDING THE EFFECTIVENESS OF THE BATTERIES.
- ONLY AN ADULT WHO HAS READ AND UNDERSTANDS THE SAFETY WARNINGS SHOULD HANDLE, CHARGE OR RECHARGE THE BATTERY.
- WHEN THE SPEED OF THE TOY DECREASES SIGNIFICANTLY, IT MEANS THAT THE BATTERIES ARE DISCHARGED, SO IT IS NECESSARY TO CHARGE THEM IMMEDIATELY, OTHERWISE THEY WILL BE IRREPARABLY DAMAGED. (SEE CHARGE BATTERY).
- IF YOUR VEHICLE HAS A DIGITAL VOLTMETER (IF EQUIPPED), THE VOLTAGE RANGE WILL TELL YOU HOW MUCH CHARGE IS LEFT IN THE BATTERY AND WHEN YOU SHOULD CHARGE IT. MAKE SURE THE VEHICLE IS STATIONARY!
- DO NOT LEAVE THE TOY INACTIVE WITH THE BATTERY DISCHARGED. IF THE TOY HAS TO BE LEFT INACTIVE FOR A LONG PERIOD, IT IS RECOMMENDED TO CHARGE THE BATTERY AND DISCONNECT IT, CHARGING IT AGAIN EVERY 5 OR 6 MONTHS.
- WARNING! THE BATTERY CHANGE SHOULD ONLY BE CARRIED OUT BY AN ADULT.
- VERY IMPORTANT. THIS VEHICLE HAS A THERMAL SAFETY FUSE, ELECTRICAL PROTECTOR AGAINST CURRENT OVERLOADS OR A SHORT CIRCUIT.
- YOU CAN GET YOUR REPLACEMENT BY SENDING YOUR ORDER TO INJUSA.



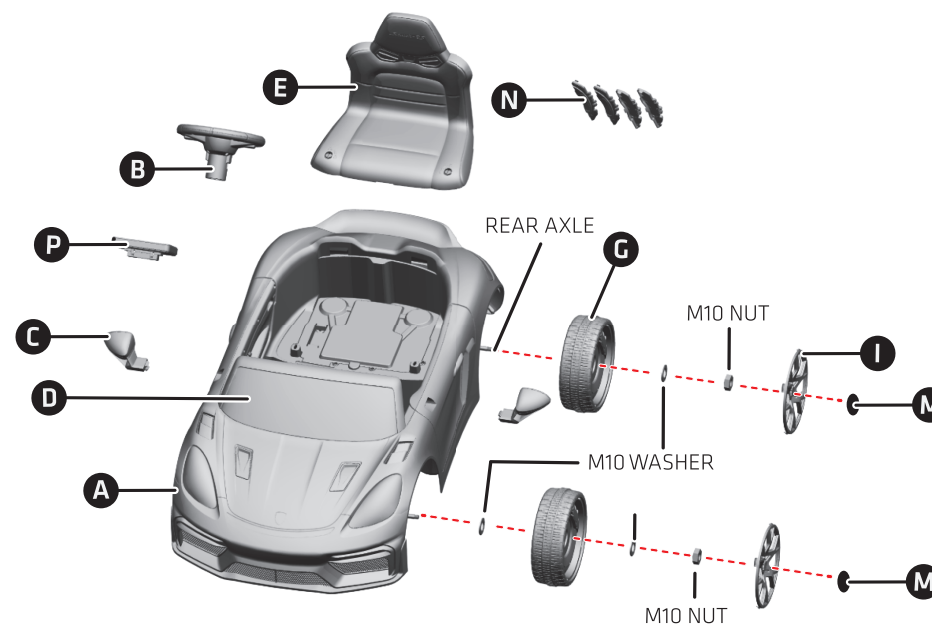
WARNING: To reduce the risk of injury, adult supervision is required. Never use in roadways, near motor vehicles, on or near steep inclines or steps, swimming pools or other bodies of water; always wear shoes, and never allow more than one rider.



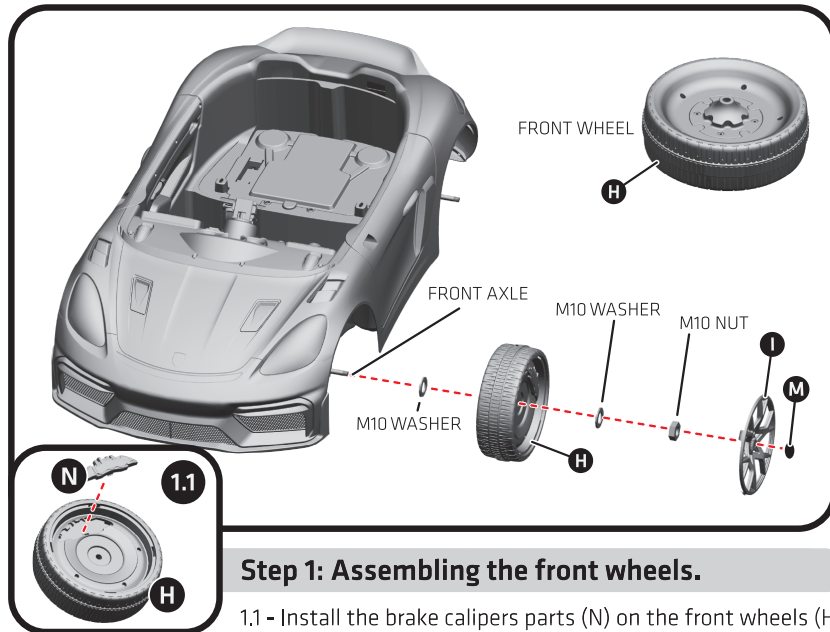
4 Parts

PARTS FOR ASSEMBLY

- | | |
|--------------------------|---|
| A) Bodywork - (x1) | J) R/C controller - (x1) |
| B) Steering wheel - (x1) | K) Charger - (x1) |
| C) Mirrors - (1 + 1) | L) Instructions - (x1) |
| D) Windshield - (x1) | M) Wheel stickers - (x4) |
| E) Seat - (x1) | N) Brake calipers - (x4) |
| G) Rear wheels - (x2) | O) MP3 (not included in MP4 version) - (x1) |
| H) Front wheels - (x2) | P) Dashboard piece (not included in MP4 version) - (x1) |
| I) Rims - (x4) | Q) Screw bag (Washer M10 (x7) - Nut M10 (x1)) |



5 Assembly

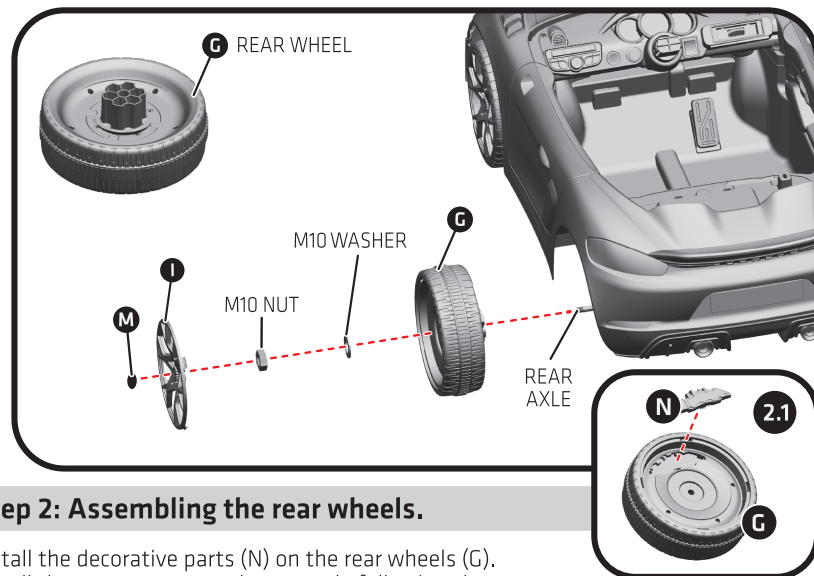


Step 1: Assembling the front wheels.

1.1 - Install the brake calipers parts (N) on the front wheels (H).

1.2 - Install the components to the front axle following the sequence:

M10 Washer - Front wheels (H) - M10 Washer - M10 Nut - Rim (I) - Sticker for the wheel (M).



Step 2: Assembling the rear wheels.

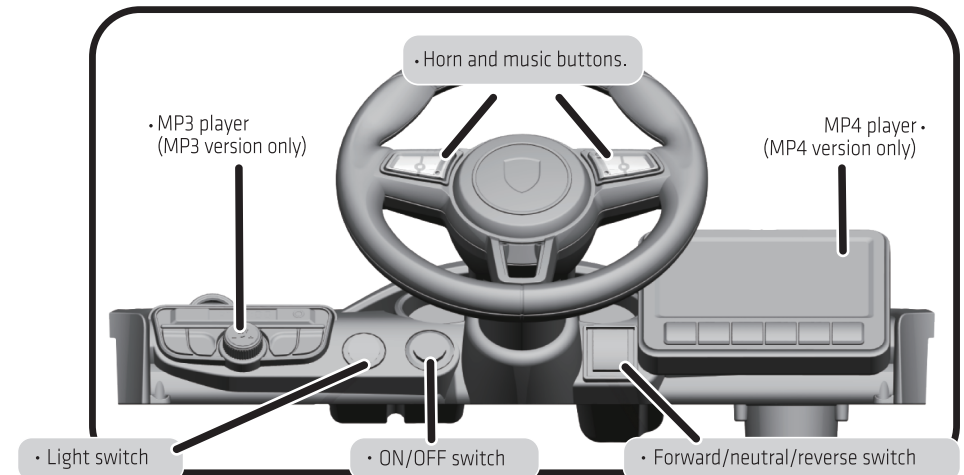
2.1 - Install the decorative parts (N) on the rear wheels (G).

2.2 - Install the components to the rear axle following the sequence:

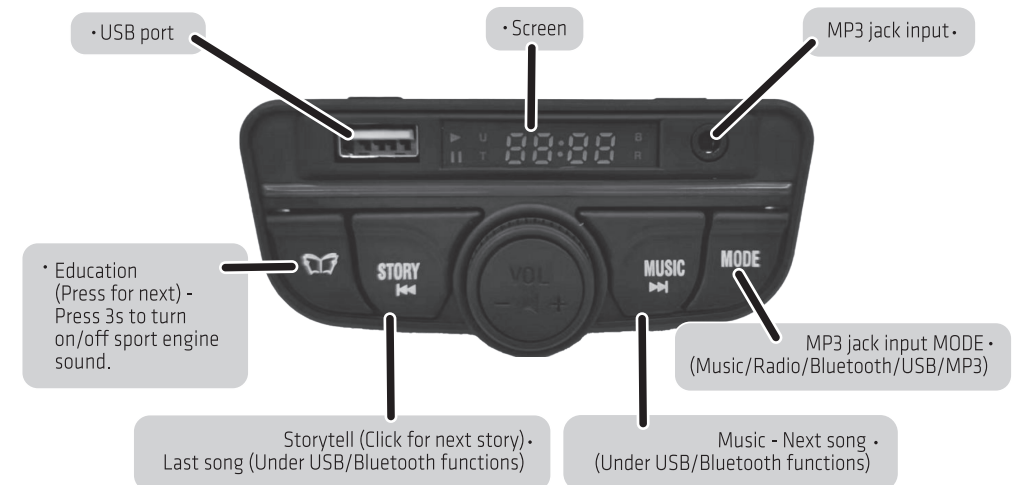
Front wheels (H) - M10 washer - M10 nut - Rim (I) - Wheel sticker (M).

10 Car controls

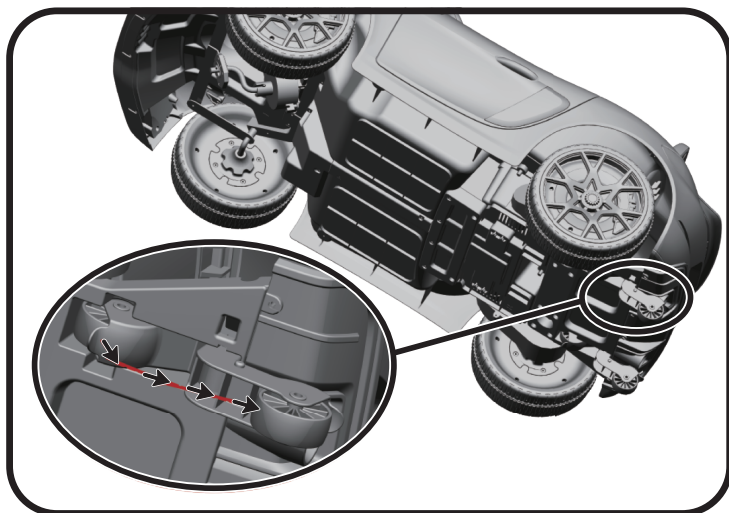
Dashboard



MP3 system



9 Assembly



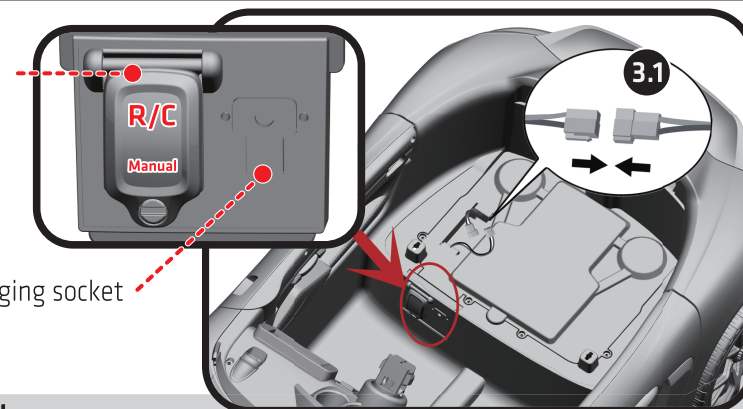
Transport wheels.

When the car is off or without battery, it can be easily carried by an adult. Remove the wheels located under the car and lift the front part, this way you can easily transport it.

6 Assembly

• Manual / remote switch (optional)

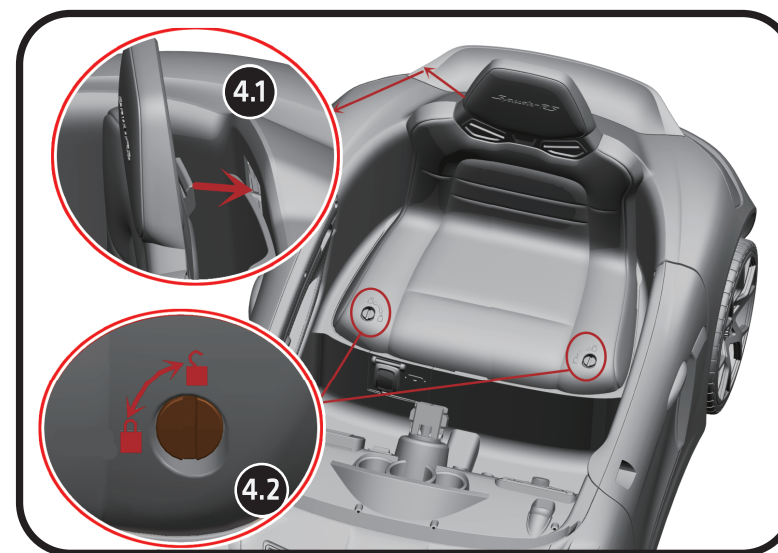
• Battery charging socket



Step 3: Connect the power.

3.1 - Connect the power cables with the red connector. According to the image, there is a switch to change between Manual mode and radio control mode. (manual control/remote control switch is optional).

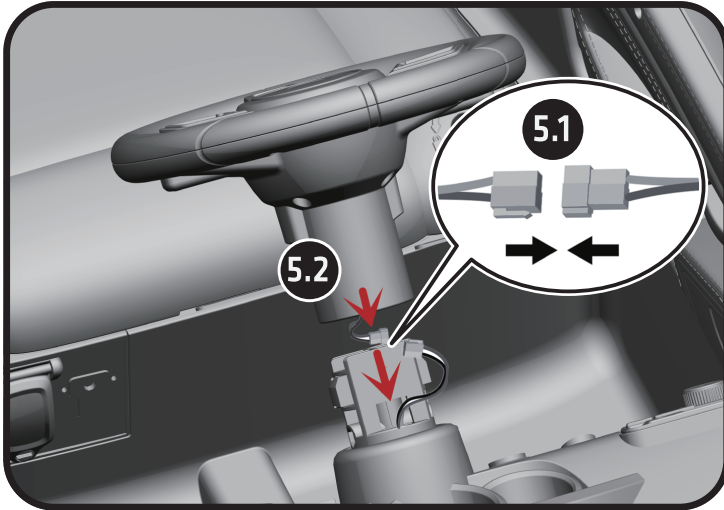
- Manual mode/remote mode switch description :
- **With manual mode:** The car can only be driven by the child.
 - **With remote mode:** The car can only be controlled by R/C control.



Step 4: Seat Installation.

- 4.1: Correctly place the seat in the car.
4.2: Secure the seat to the car by rotating the two locking pieces.

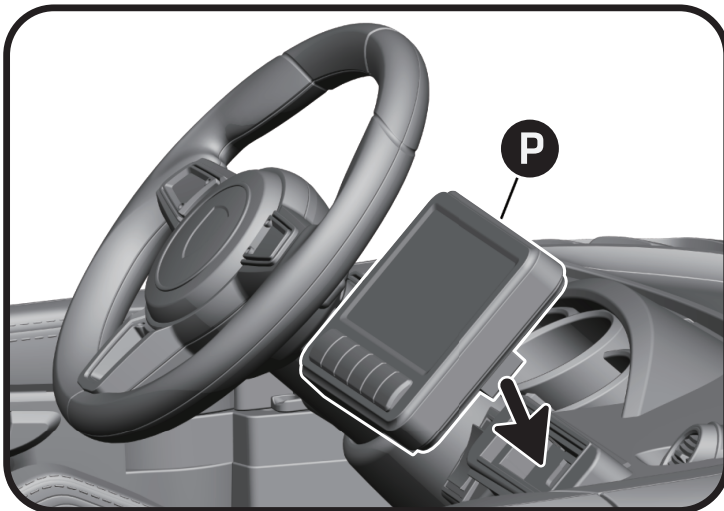
7 Assembly



Step 5: Installing the steering wheel.

5.1: Connect correctly the steering wheel to the cables coming from the dashboard.

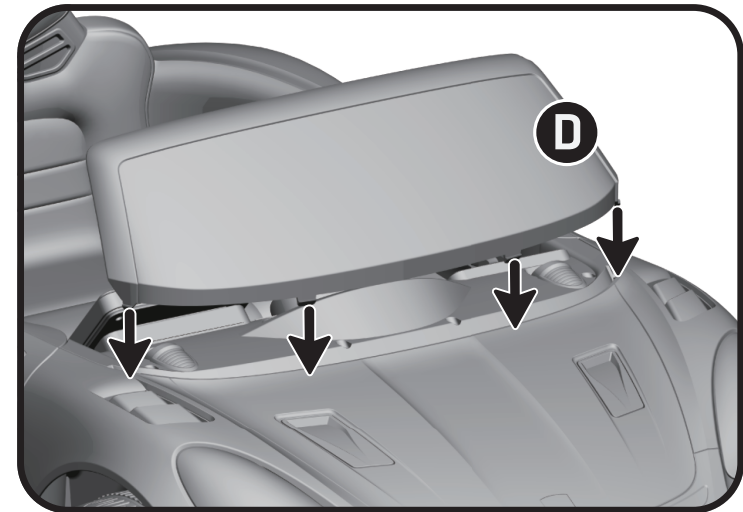
5.2: Insert the steering wheel into the quick release piece.



Step 6: Installing the dashboard piece or MP4 player.

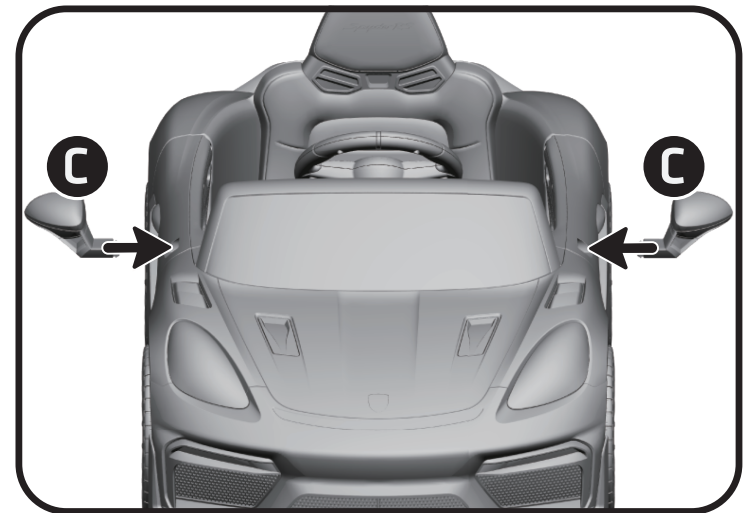
Insert the dashboard piece (P) or MP4 player into the dashboard, assembly as shown in the image below.

8 Assembly



Step 7: Windshield Installation.

Insert the windshield piece (D) as shown in the image below.



Step 8: Installing the mirrors.

Insert the mirrors (C) (left and right) into the sides of the car as shown in the image below.