

WARNING

- ** WE RECOMMEND INSTALLATION OF THIS LIGHTING FIXTURE BE DONE BY A LICENSED ELECTRICIAN **
- * Switch off the main electrical supply from the main fuse box / circuit breaker before installation.
- * Inspect item carefully before attempting to install.
- * If there is any damages or obvious defects, do not install.
- * Item may not be returned once it has been installed.

CARE AND MAINTENANCE


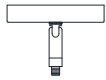








- * To clean the outside of the fixture, use a dry or slightly dampened clean cloth (use clean water, never a solvent) to wipe the surface of the fixture.
- * To clean the inside of the fixture, first disconnect power to the fixture by turning off the circuit breaker or by removing the fuse at the fuse box. Next, use a dry or slightly dampened clean cloth (use clean water, never a solvent) to wipe the interior surface of the fixture.
- * Do not use any cleaners with chemical, solvents or harsh abrasives. Use only a dry soft cloth to dust or wipe carefully.

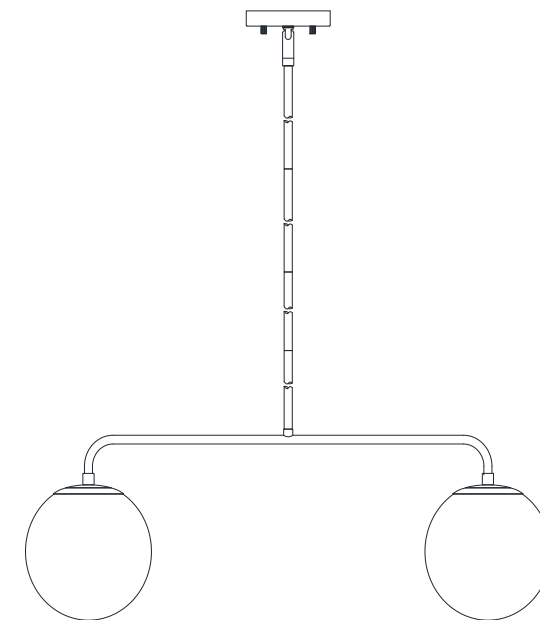
NOTICE& IMPORTANT SAFETY INSTRUCTIONS

- * Please make sure that you have all parts indicated before you begin assembly of this item
 - * This item should be assembled on a soft surface to prevent scratching the finish during assembly
 - * To reduce the risk of fire, electrical shock or injury to persons or property, please follow the guideline below for safe use and installation
 - *The external flexible cable or cord of this lamp cannot be replaced
- If the cord is damaged, the lamp shall be destroyed

Product Dimensions: 29"L X 7"W X 18.5"- 48 .5"H

Part List and Hardware List

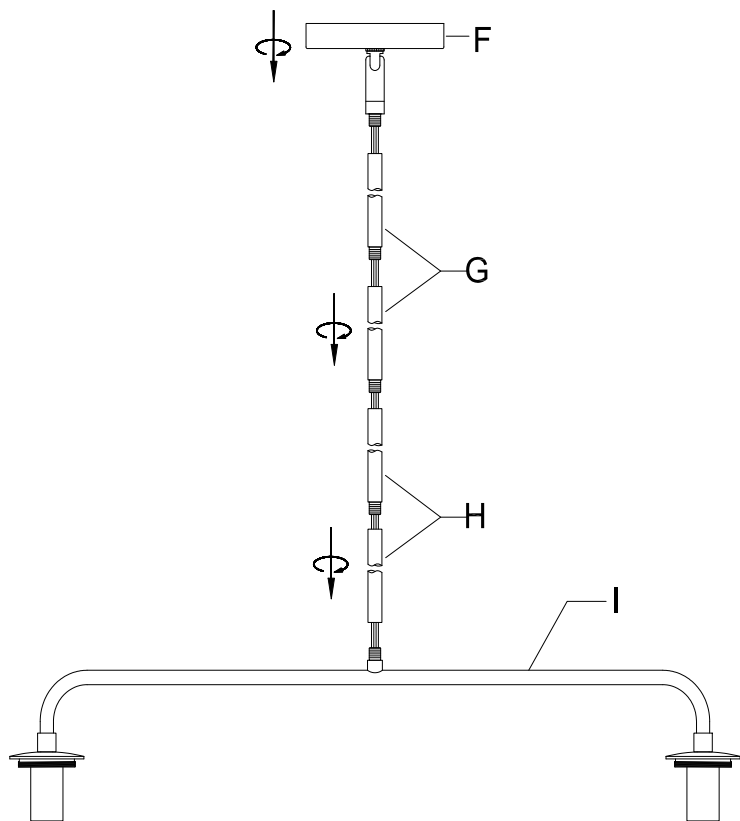
PIECE	DESCRIPTION	PICTURE	QUANTITY	PIECE	DESCRIPTION	PICTURE	QUANTITY
A	Mounting bar		1X	F	Canopy		1X
B	Mounting screw		2X	G	12"Rod		2X
C	Canopy nut		2X	H	6"Rod		2X
D	Bulb		2X	I	Fixture body		1X
E	Wire Nut		3X	J	Glass shade		2X



PREPARATION

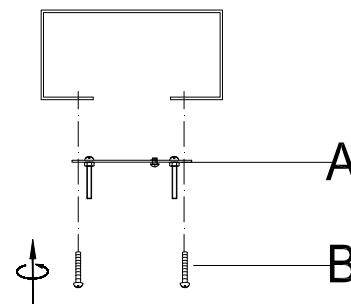
- * Before beginning assembly of product, make sure all parts are present. Compare parts with package contents list and hardware contents list.
- * If any part is missing or damaged, do not attempt to assemble the product.
- * Estimated Assembly Time: 20 minutes.
- * If you are having difficulty, our friendly Customer Care team is always here to help.

NOTE: PLEASE USE TYPE "B" BULB MAX 25-WATT OR LED BULB MAX 13-WATT, THERE IS LED 4-WATT BULB IN THE BOX

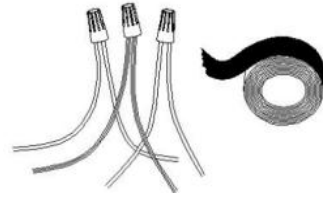
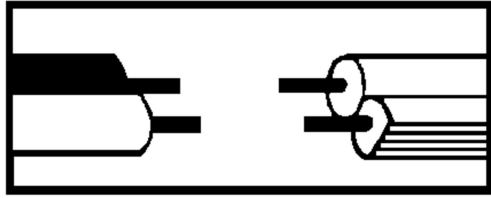


Step 1:

Attach the 6"rod (H) through the wire to fixture body(I), and lock the 12"rod (G) and 6"rod (H) in turn. Attach the canopy(F) through wire to 12"tube(G).



Step 2: Attach the mounting bar (A) to the ceiling with mounting screw (B)



Note: Install mounting bar first then connect wire.

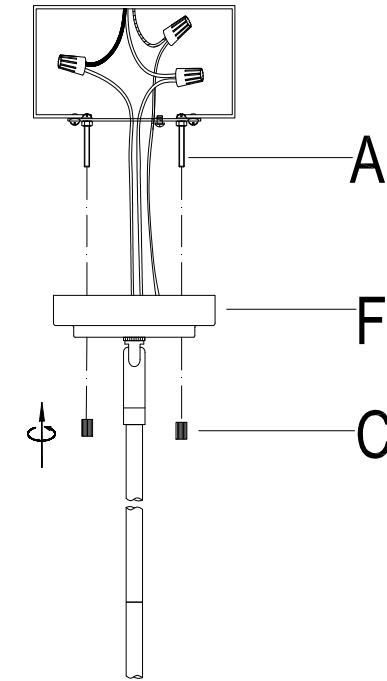
Step 3: Wire connection

Connect fixture neutral wire (ribbed) to the outlet box neutral wire (usually white) using a wire connector. Connect fixture hot wire (smooth with markings) to the outlet box hot wire (usually black) using a wire connector.

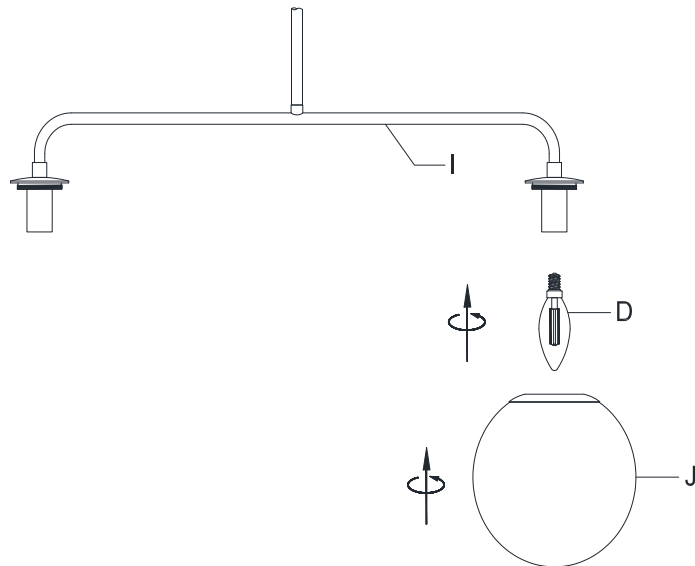
CAUTION: Do not reverse the hot and neutral connections

Grounding Instructions:

Wrap ground wire from outlet box around green ground screw on mounting bracket, no less than 2" from wire end. Tighten ground screw. If fixture is supplied with a ground wire, connect to outlet ground wire with a wire connector.



Step 4: Attach the mounting screw through the canopy (F) and lock it with the canopy nut (C).



Step 5: Install the light bulb (D) into the socket, and then install the glass (J) to the aluminum at the base.