

ASSEMBLY INSTRUCTIONS

Description: End table

Important safety instructions:

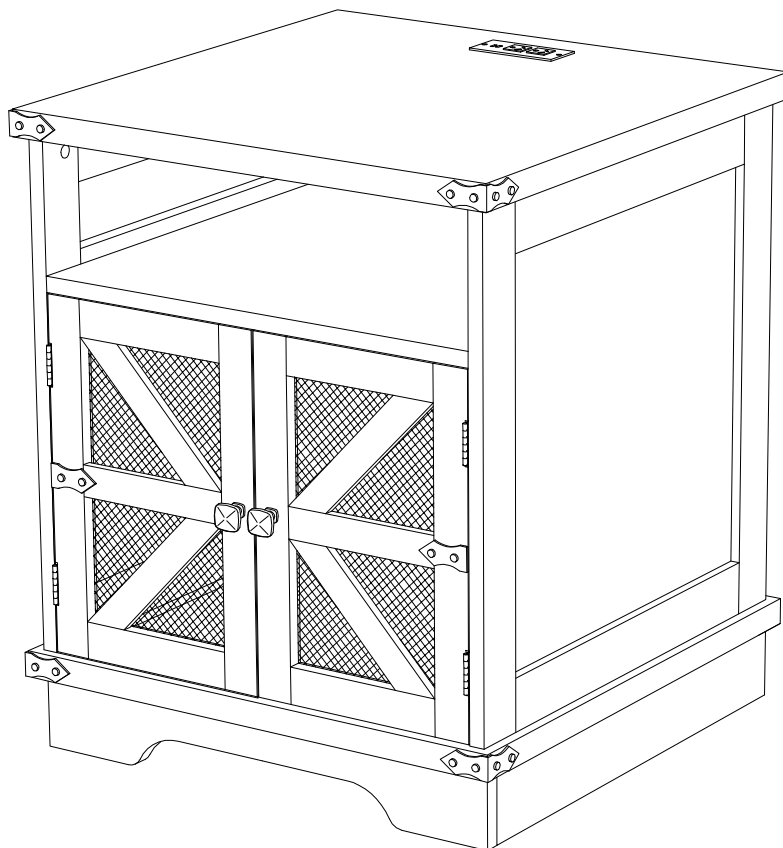
- Please carefully read all instructions before assembling.
- For your safety and ease, assembly by two or more adults is recommended.
- Keep instructions for future use.

Pre-assembly:

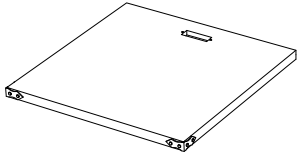
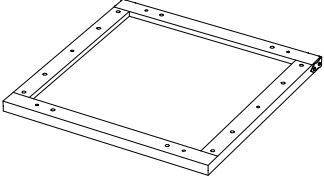
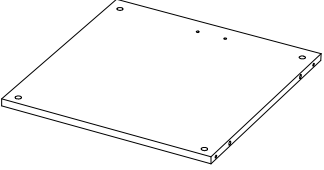
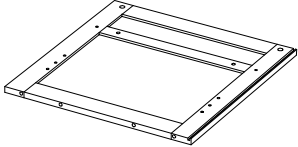
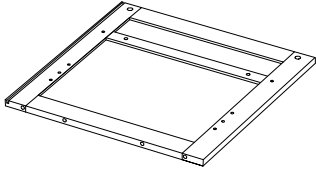
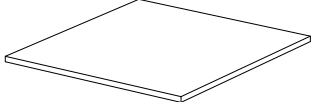
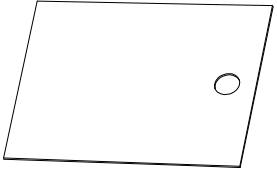
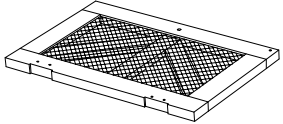
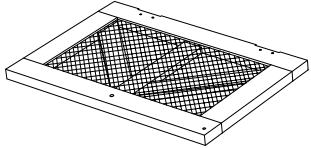
- Do not discard any contents until after assembly is complete to avoid accidentally discarding small parts or hardware.
- Remove all parts and hardware from box along with any plastic protective packaging.

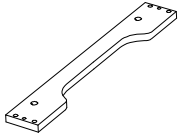
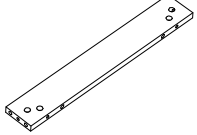
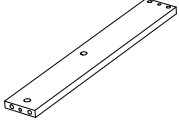
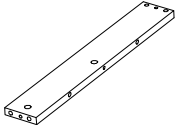
After-sales service:

Thank you for purchasing our product. If you find any troubles with assembly or missing or damaged parts, please feel free to contact us. We will assist you to solve any troubles. 24 Hours Online Customer Service For You

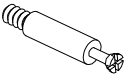

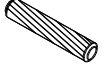
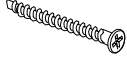


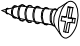

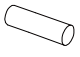



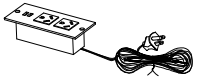
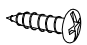

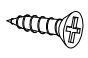


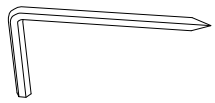
Parts List

Item	Description		QTY
1	Top Panel		1
2	Bottom Panel		1
3	Top Shelf Panel		1
4	Left Side Panel		1
5	Right Side Panel		1
6	Bottom Shelf Panel		1
7	Back Panel		1
8	Left Door Panel		1
9	Right Door Panel		1

Item	Description		QTY
10	Base Front Panel		1
11	Base Back Panel		1
12	Base Left Panel		1
13	Base Right Panel		1

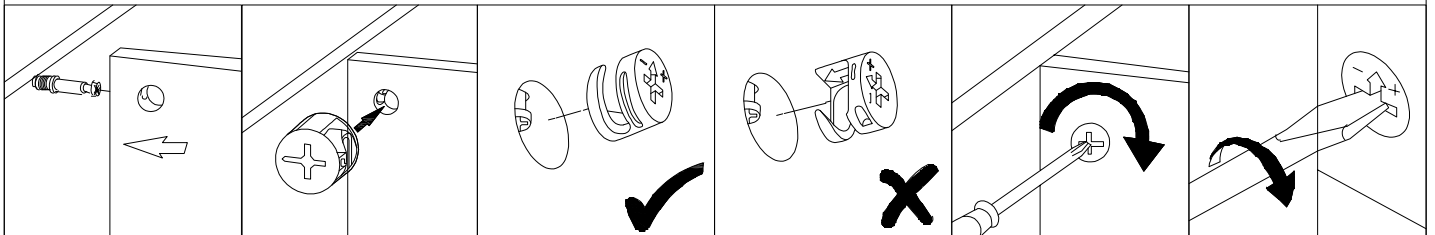
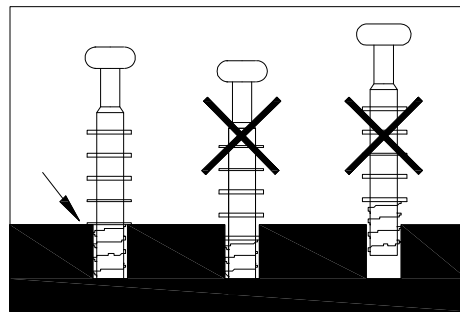
Hardware List

Item		Description	QTY
A	Cambolt		18+2
B	Camlock		18+2
C	Wood dowel ø 6x30mm		28+2
D	bolt ø 7x40mm		4
E	Knob		2
F	Screw ø 4x18mm		2
G	Screw ø 3x12mm		18+2
H	Magnet		1
I	Shelf Support		4

Item		Description	QTY
J	Door Check		4
K	Socket		1
L	Screw ø 3x14mm		2
M	Back Buckle		4
N	Screw ø 3x14mm		4
O	Metal Plate		2
P	Screw ø 3x12mm		2
	Allen Wrench		1

PLEASE USE 3-IN-1 SCREWS CORRECTLY.

Installation method of
Cam Lock & Cam Screw



Step 1

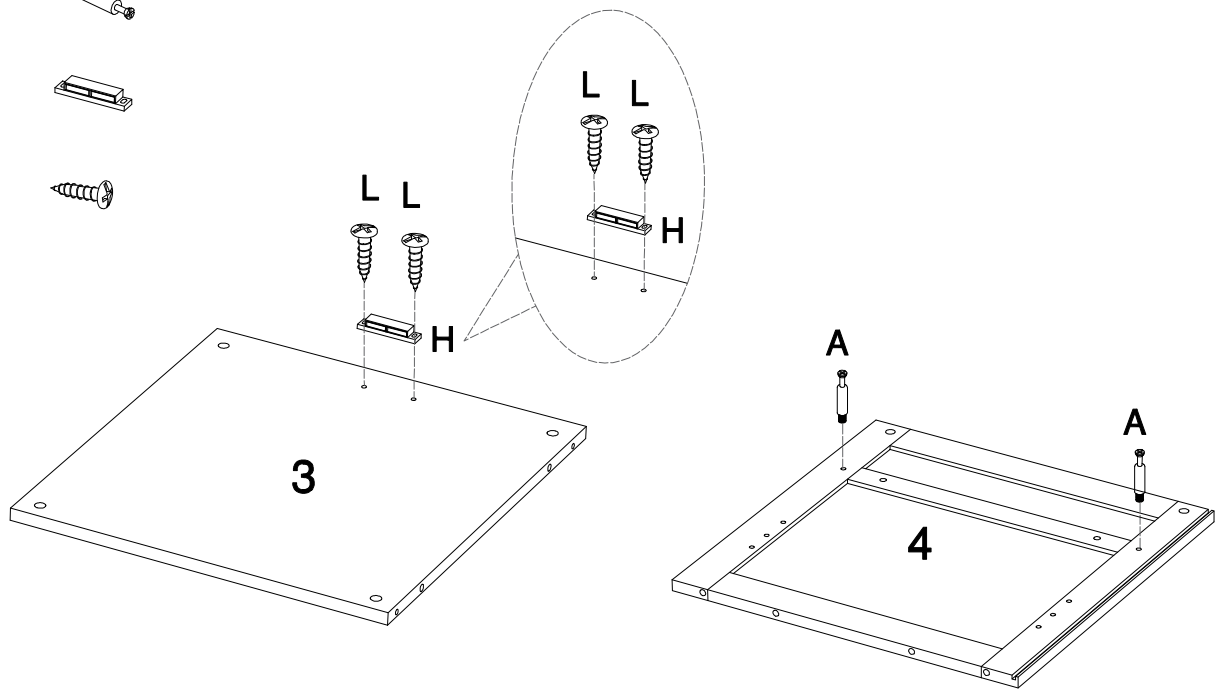
A X 2



H X 1



L X 2

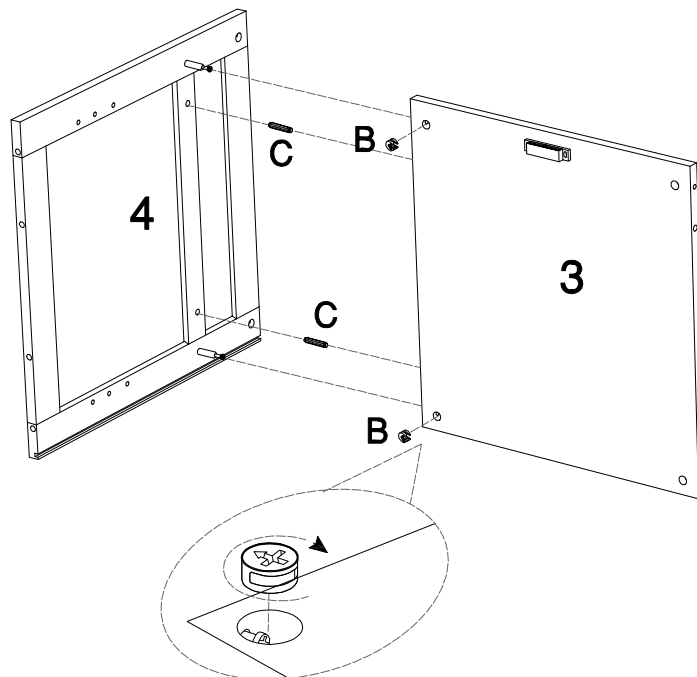


Step 2

B X 2



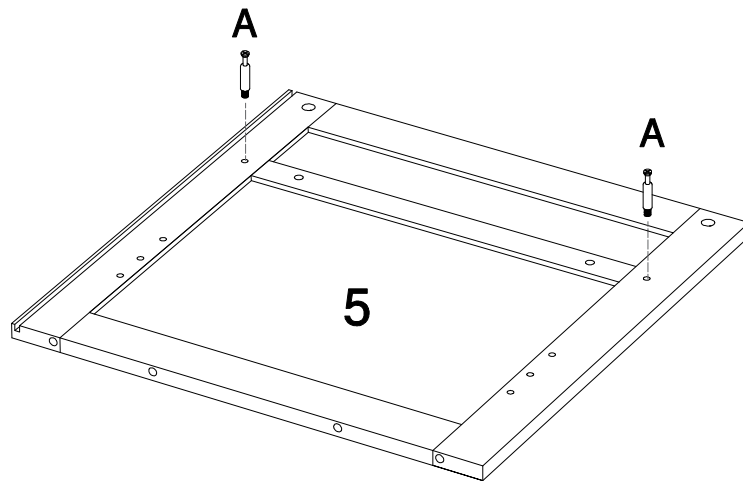
C X 2



When inserting Cam Lock ensure arrowhead on Cam Lock points toward to the hole on the panel edge.

Step 3

A X 2

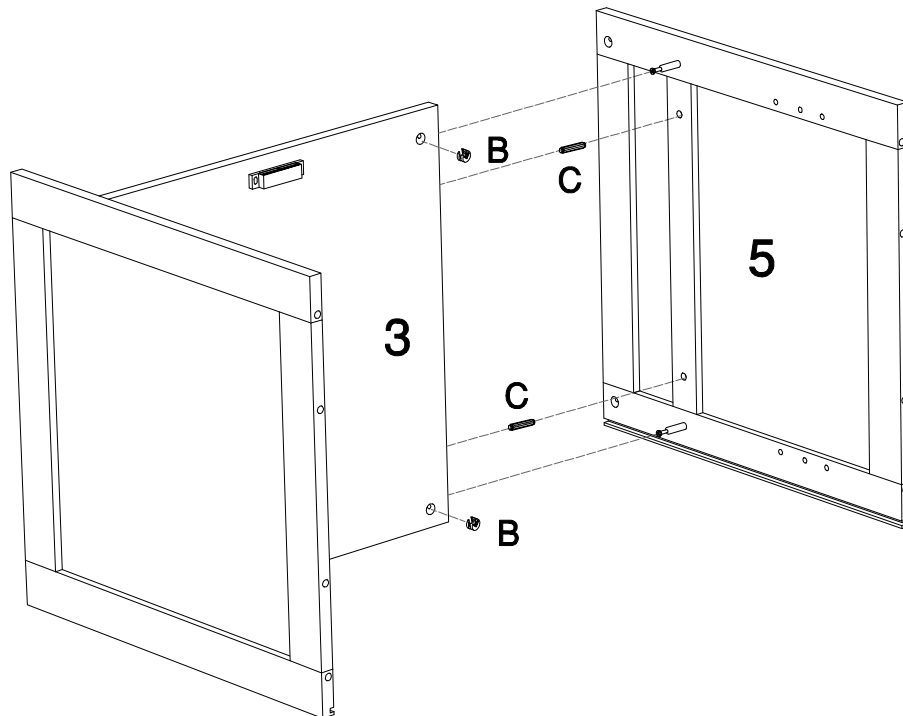


Step 4

B X 2

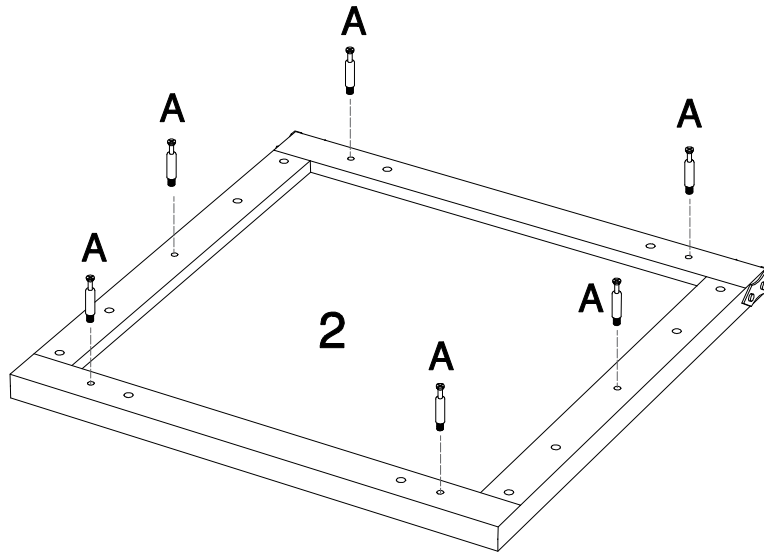


C X 2



Step 5

A X 6

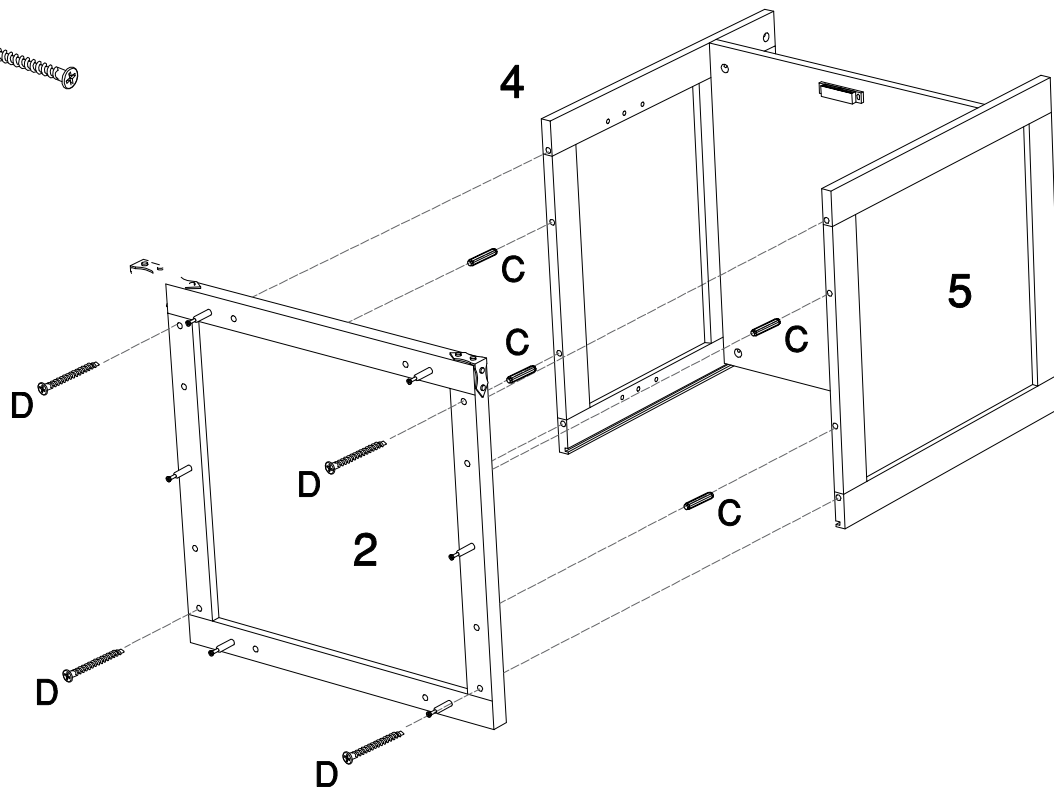


Step 6

C X 4




D X 4

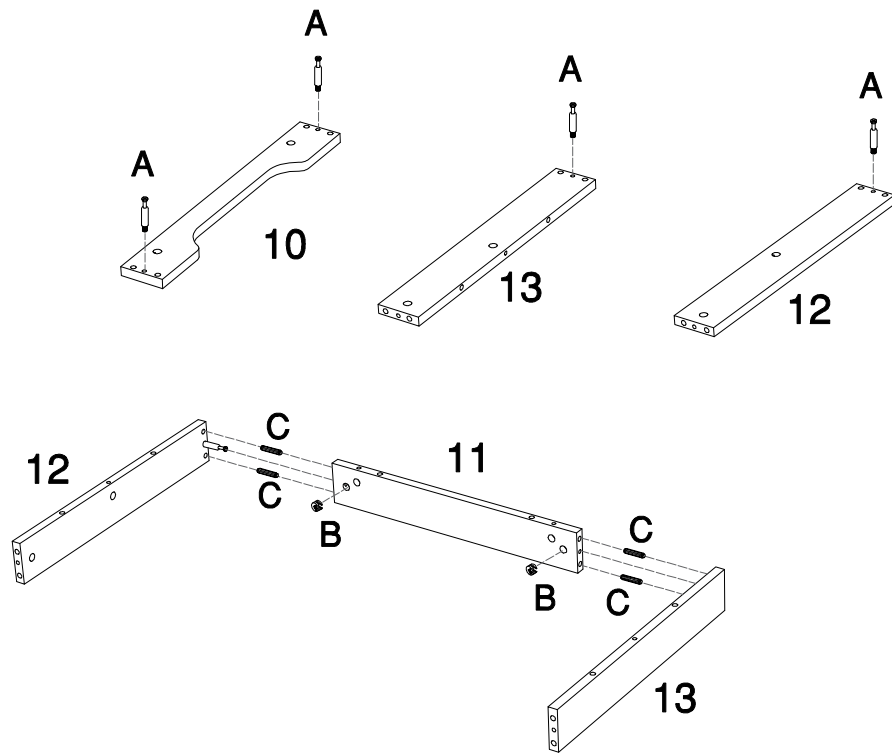


Step 7


A X 4 

B X 2 

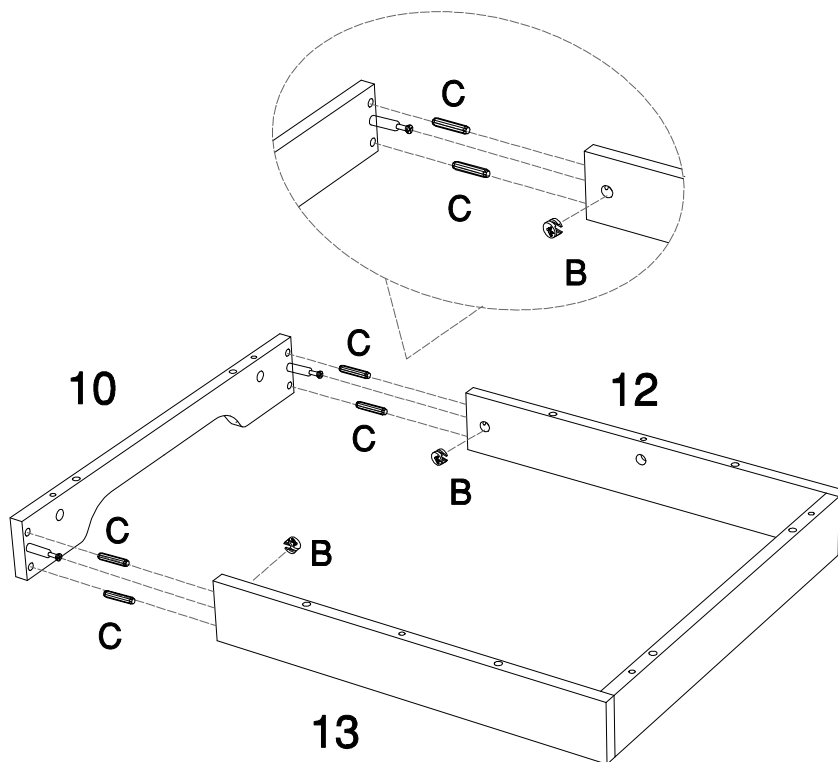
C X 4 




Step 8

B X 2 

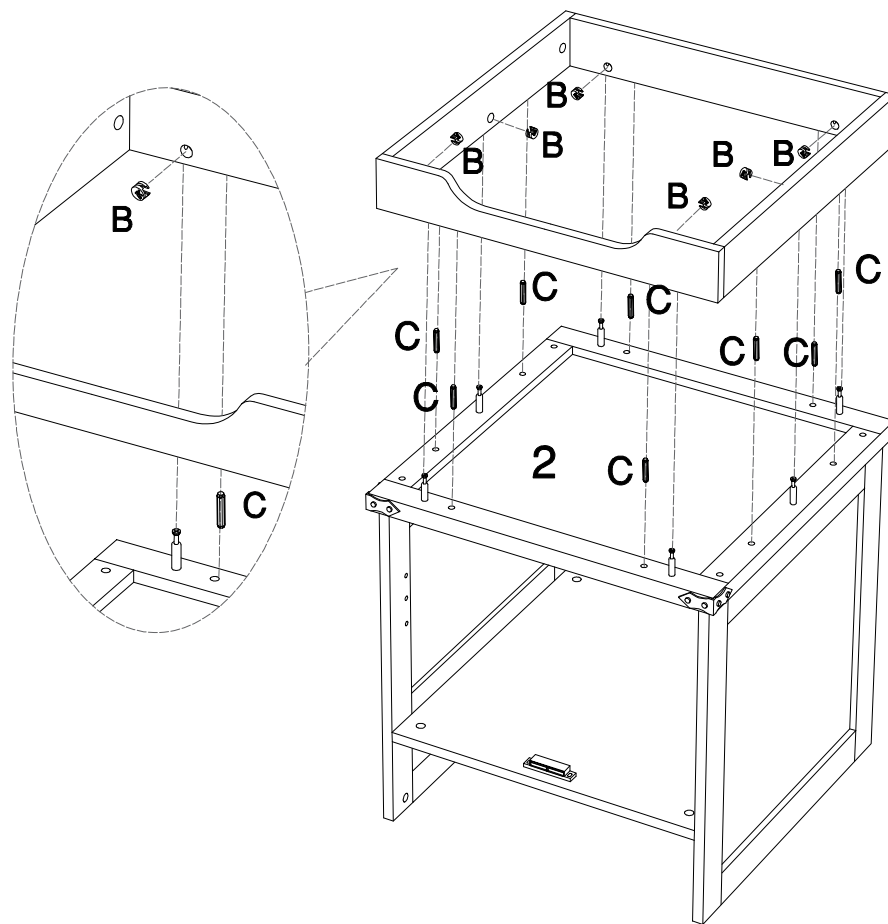
C X 4 



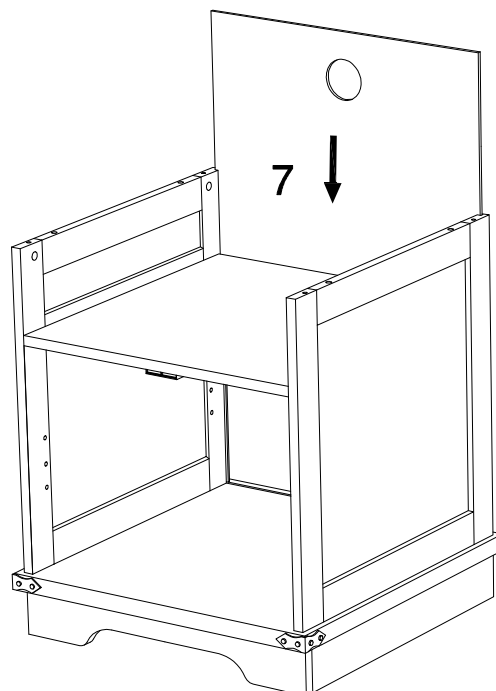
Step 9

B X 6 

C X 8 

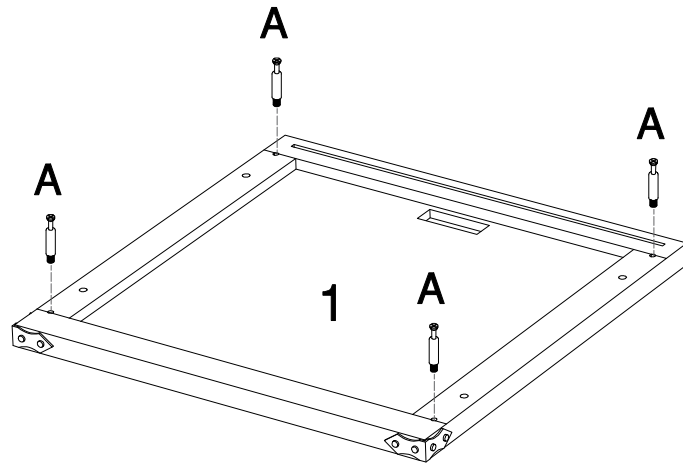


Step 10



Step 11

A X 6

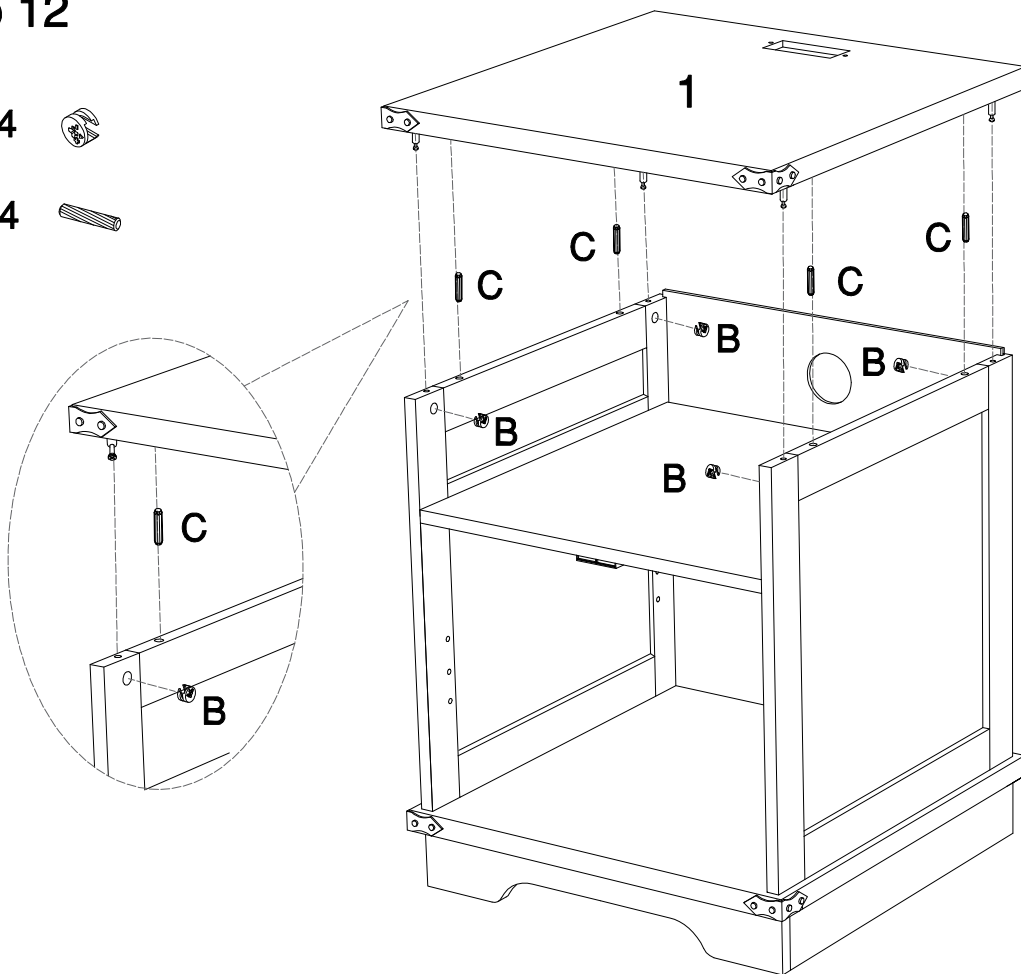


Step 12

B X 4





C X 4



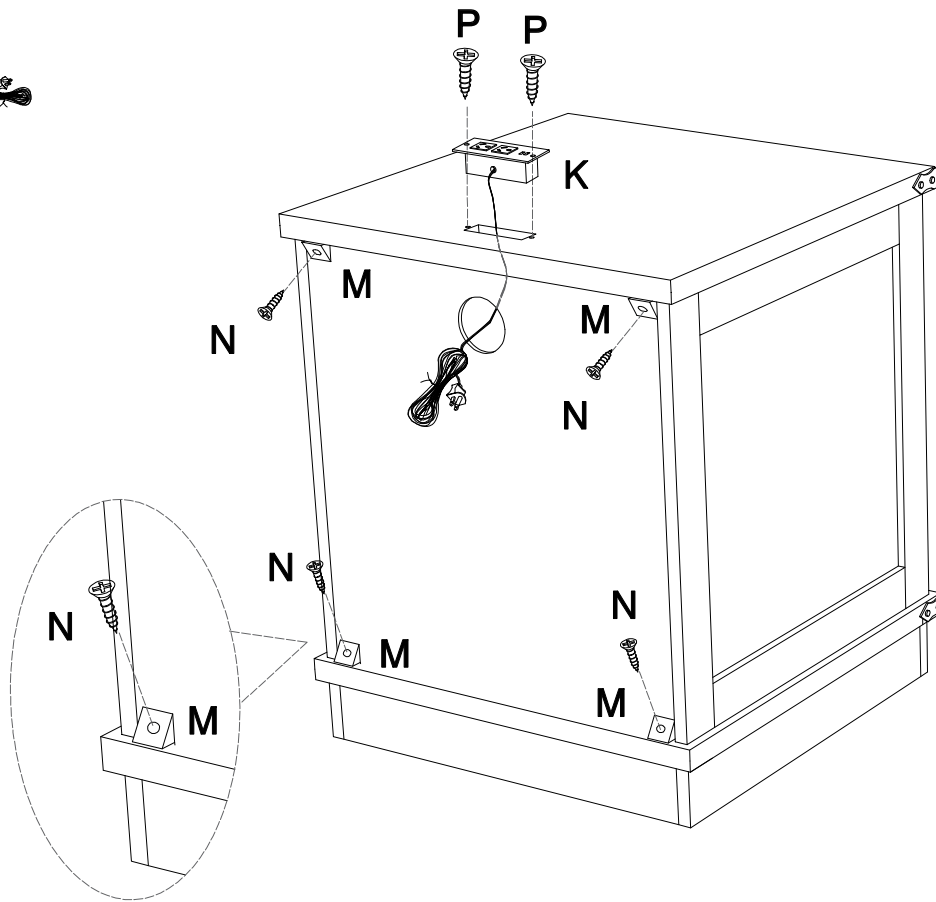
Step 13

KX1 

PX2 

MX4 

NX4 

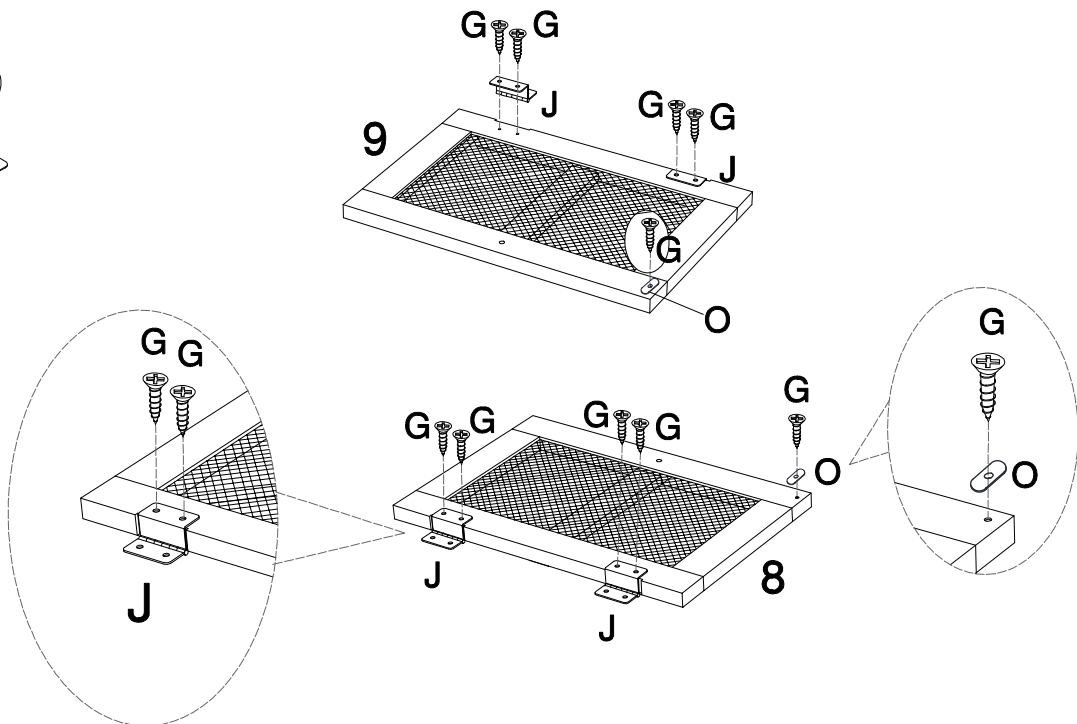


Step 14

GX10 

JX4 

OX2 

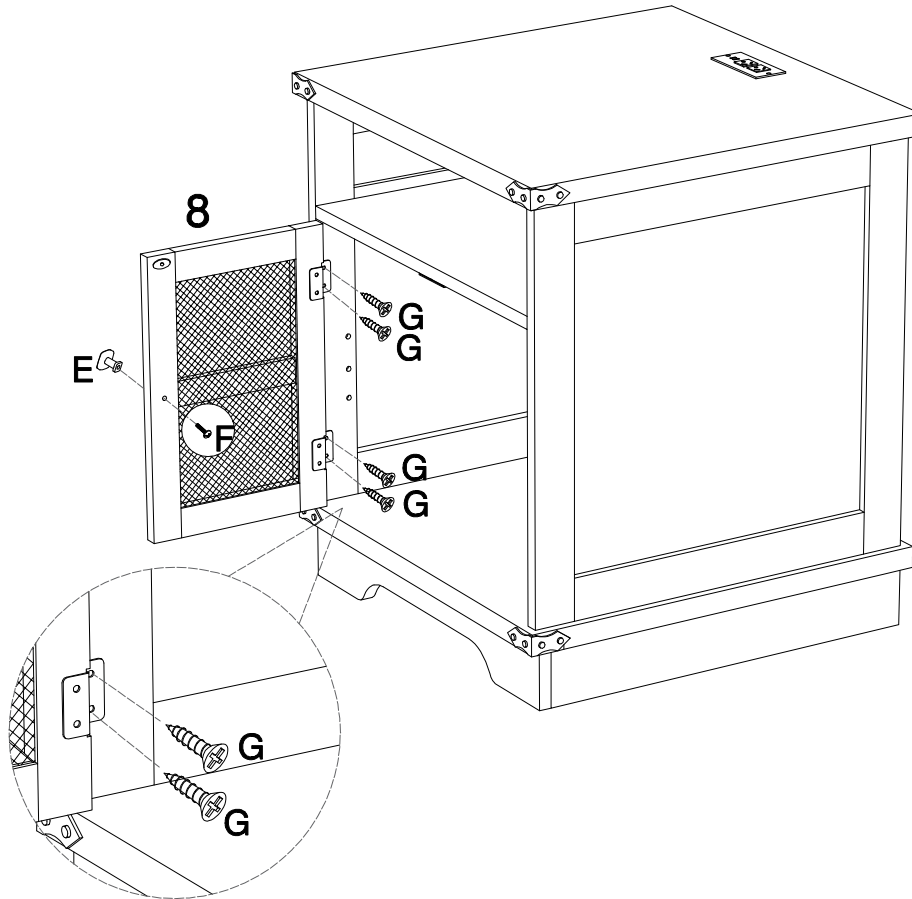


Step 15

EX 1 


FX 1 

GX 4 

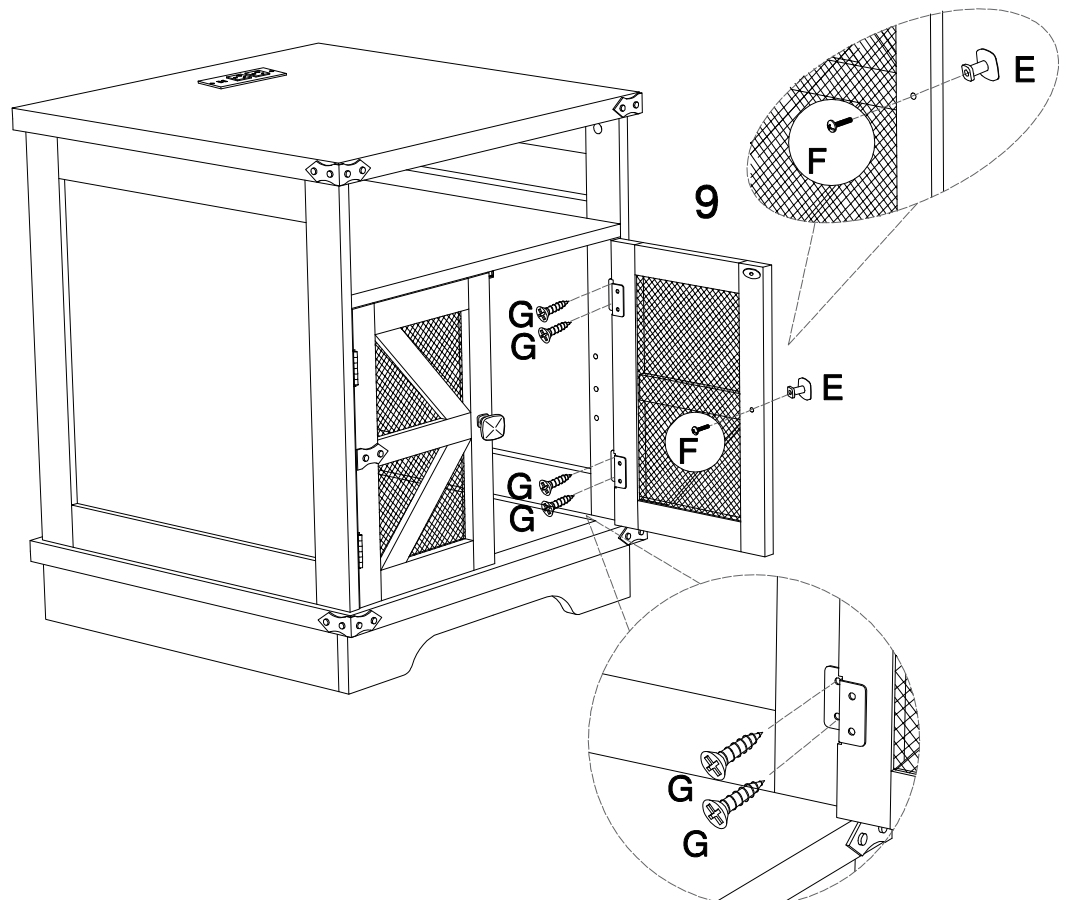


Step 16

EX 1 

FX 1 

GX 4 



Step 17

1 X 4

