



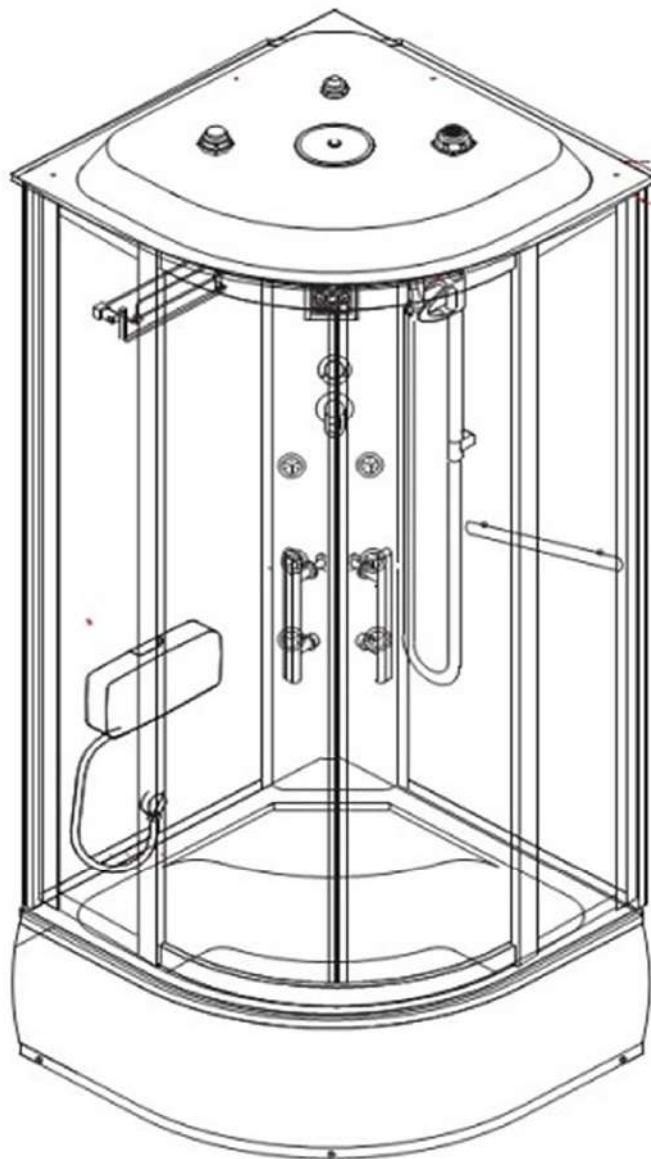
Whirlpool Shower/Bathtub MILAN/VIENNA

Thanks for buy our products.

Please read the instruction carefully before installation.

Product specifications are subject to change without notice.

Use installation instructions supplied with producer.





SIMBA

LED roof light(7 changeable colors)

roof shower

speaker

fan

back lights

control panel

hand shower

shampoo holder

sliding pole

faucet

handle

towel rack

back nozzles

foot massager

Tray





Whirlpool Shower/Bathtub MILAN/VIENNA

Installation instruction

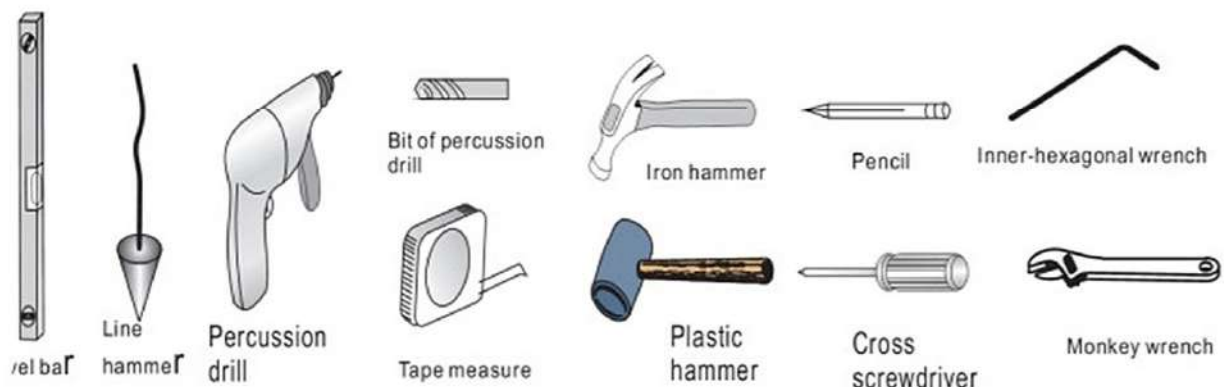
1. Reminding

- (1). Please install the shower room according to the instruction strictly to avoid unstable and damage problems.
- (2). Please count all the spare parts, and lay the glass side by the wall vertically.
- (3). Do not knock the glass to avoid broken

2. Attention

- (1). Please do not let children to enter into the shower room alone.
- (2). Do not shiny the shower room or hang heavy things on the enclosure.
- (3). Do not knock or rub the glass with heavy items.
- (4). Pay attention to your head when you enter into or out the room
- (5). Pay attention to the wet tray to avoid slipping.
- (6). Keep the shower room well ventilated to avoid mildewy items.
- (7). Shower room can be cleaned with nonabrasive bathroom cleaner (washer, soap and water) or any glass cleaner you use elsewhere in your home usually. Never use any type of abrasive cleaner, alcohol, banana oil, and acetone and so on
- (8). While the old, child, sick and disabled use this shower booth, they must be supervised by person in charge.

3. Install tools





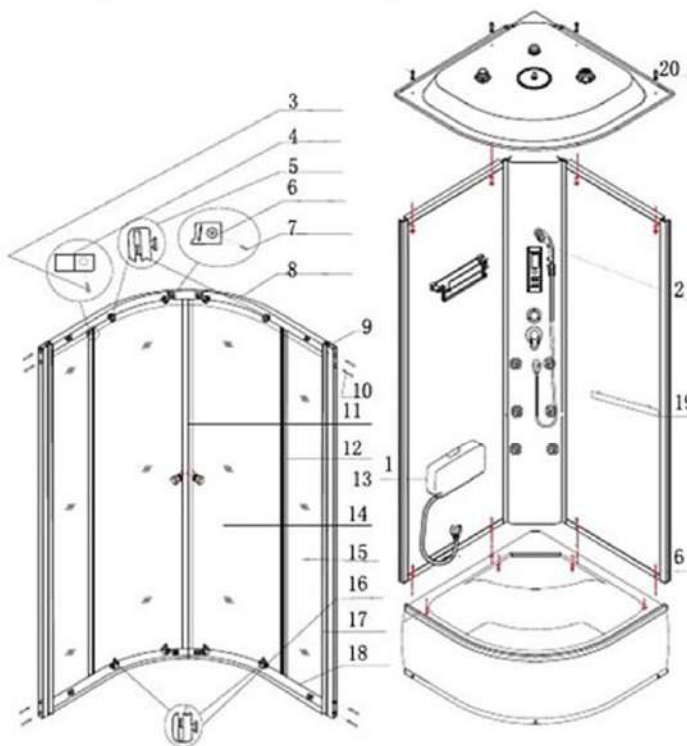
Whirlpool Shower/Bathtub MILAN/VIENNA

4. Electric specificaton(without steam)

V	Hz	KW	A
110	50/60	0.03	0.15/0.3

5. Accessories

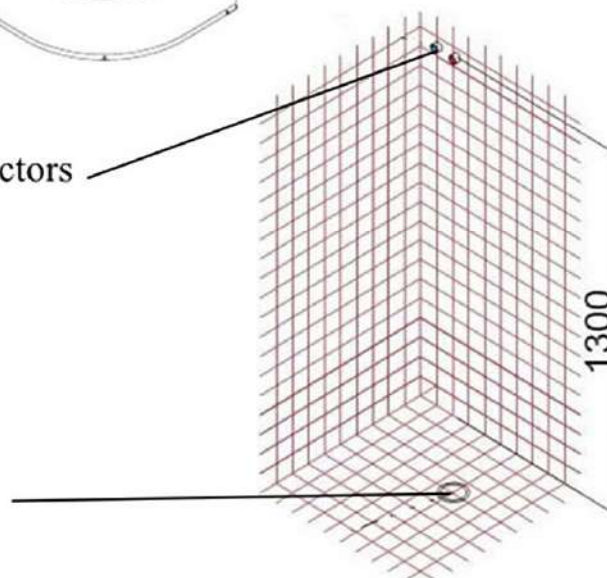
Check the 4 cantin boxes one for roof and tray, one for back panel, one for back glass, one for front glass



6. Preparation

cold and hot water pipe connectors

water outlet



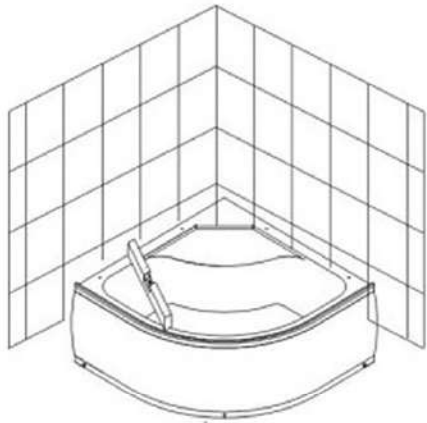


SIMBA

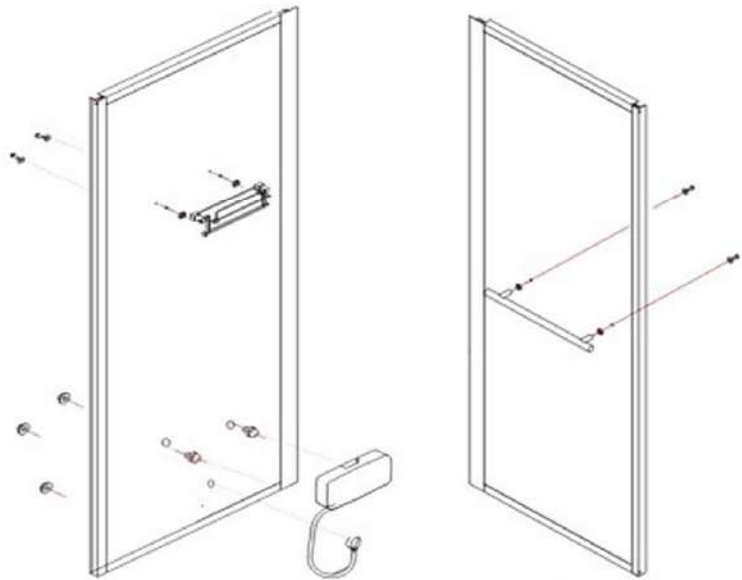
Whirlpool Shower/Bathtub

MILAN/VIENNA

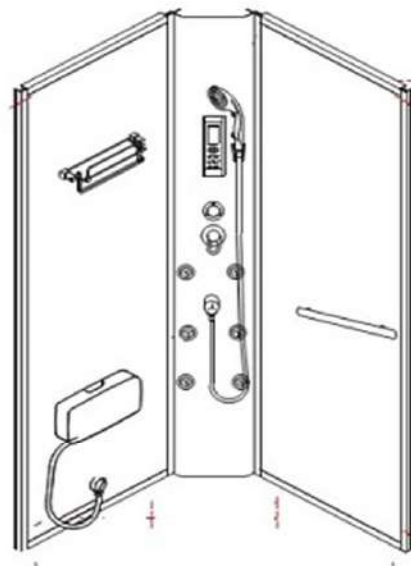
7.Step1



7.Step2

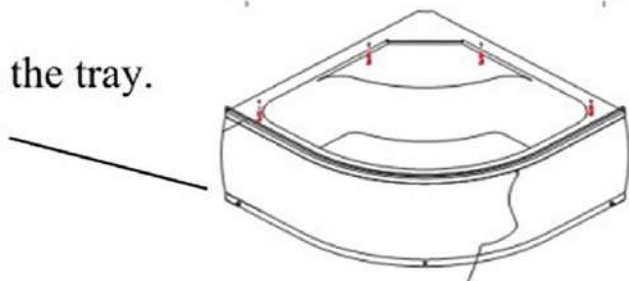


7. Step 3



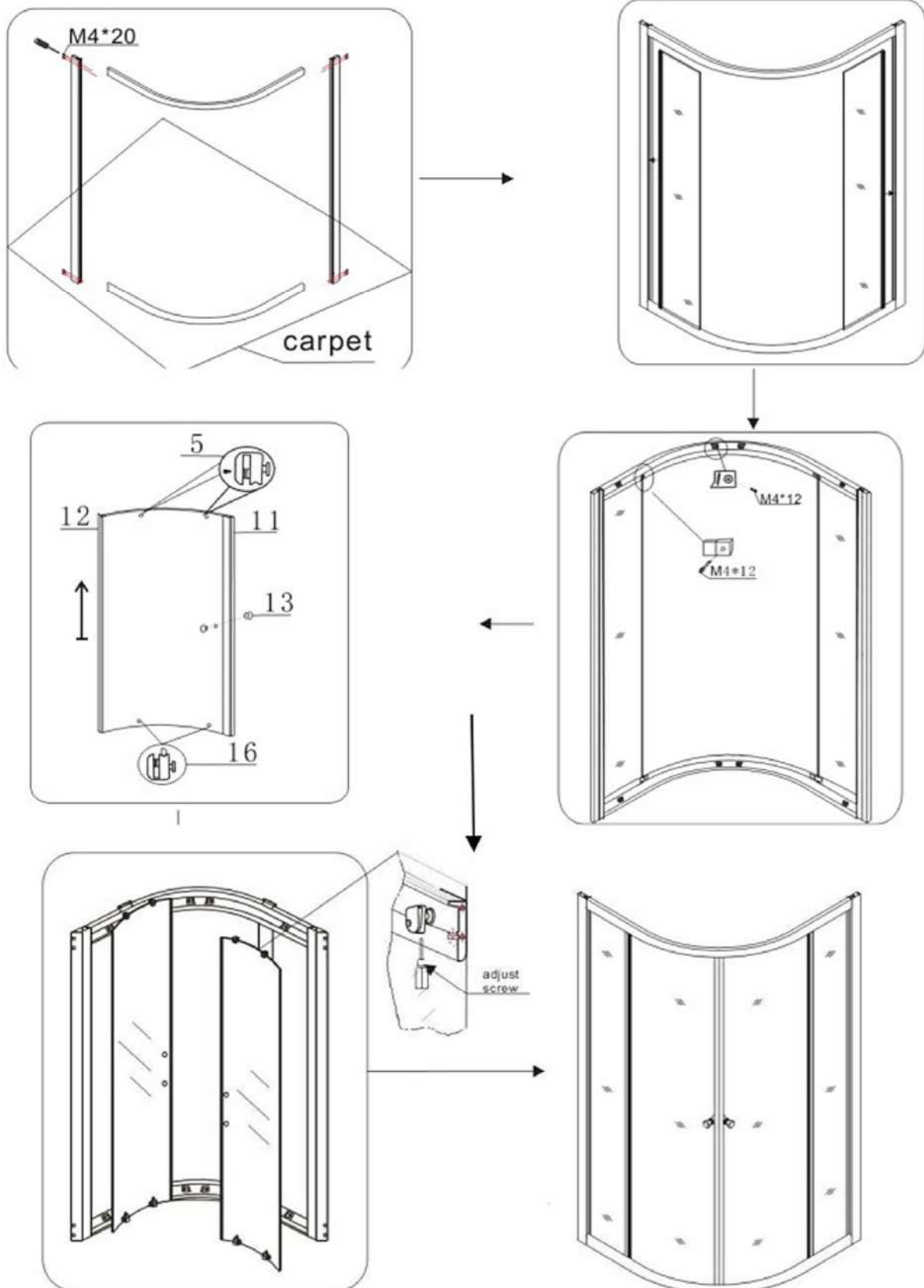
Note:
there is a film on the surface of the way,
please take off the film before

putting the shower enclosure on the tray.



Whirlpool Shower/Bathtub MILAN/VIENNA

8. Step1



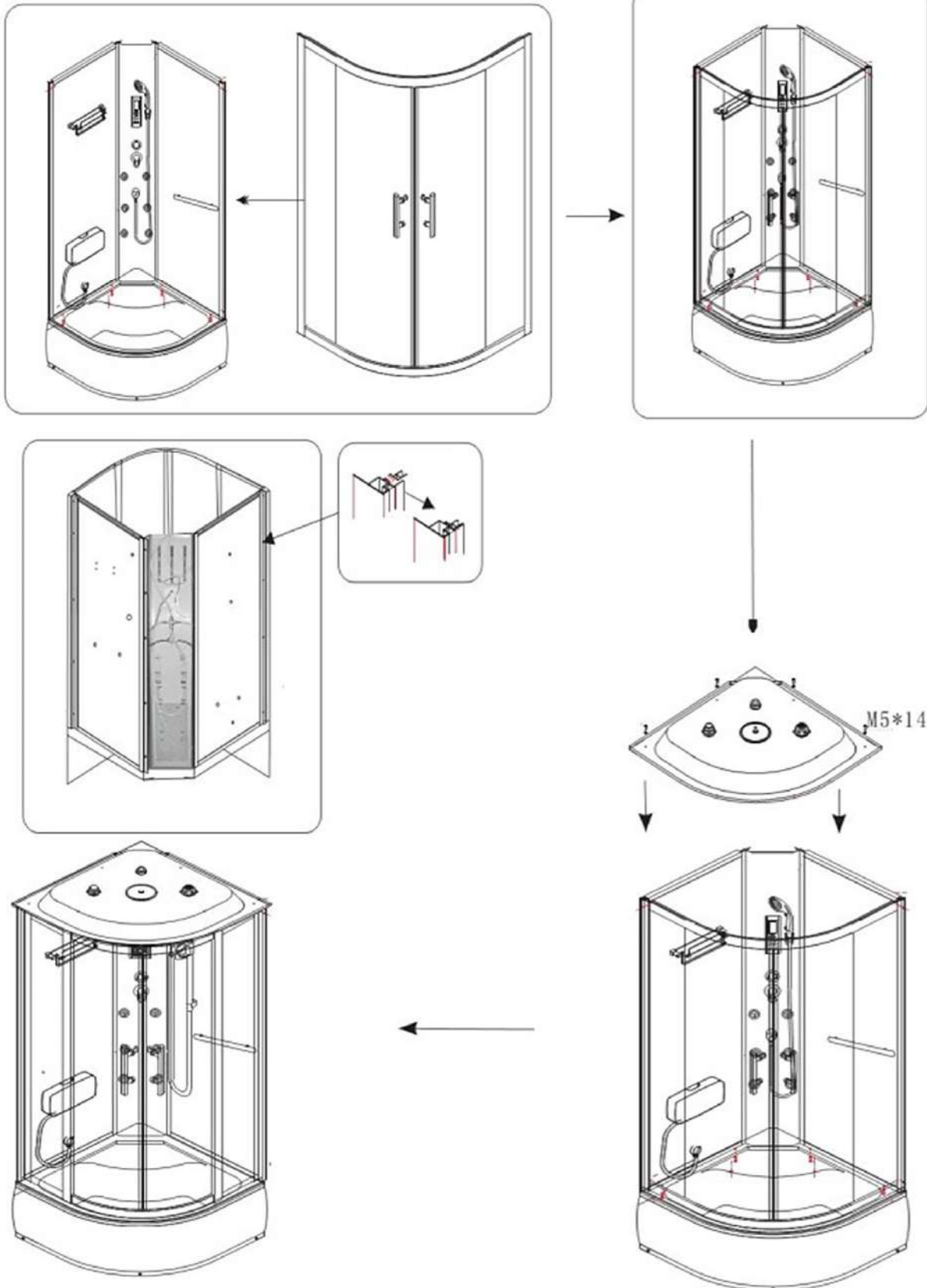


SIMBA

Whirlpool Shower/Bathtub

MILAN/VIENNA

8. Step 2

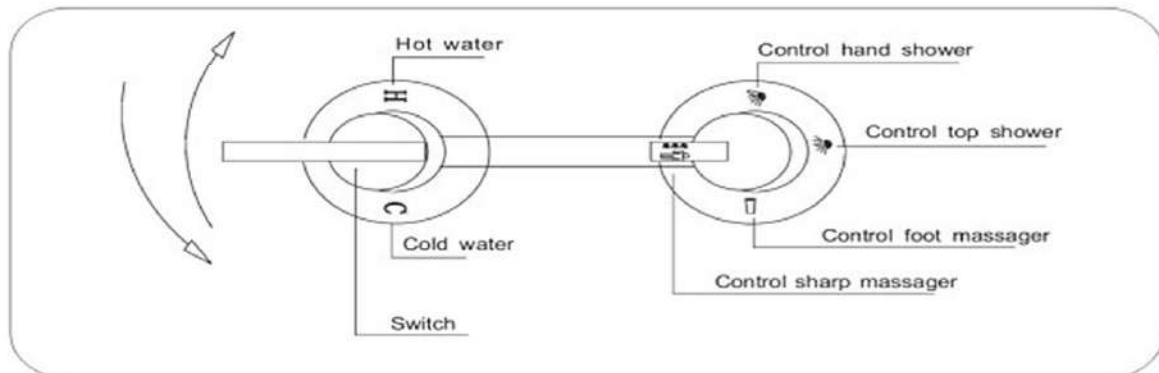
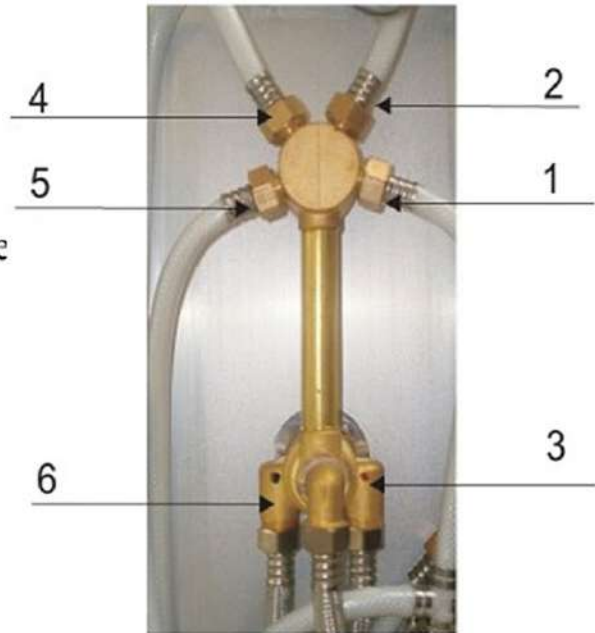




Whirlpool Shower/Bathtub MILAN/VIENNA

9

1. water hose for foot massager
2. backmassage connector
- 3: hose for cold water
- 4: hose for connecting top shower
- 5: hose for connecting handle showe
- 6: hose for hot water



1. open the switch, it can adjust the hot and cold water by turning into right and left, it is fine when you feel the temperature is ok
2. Turning the adjuster, it can control water running from the hand shower, foot massager, sharp massager and top shower.
3. The hydraulic pressure is 0.4 Mpa in every part

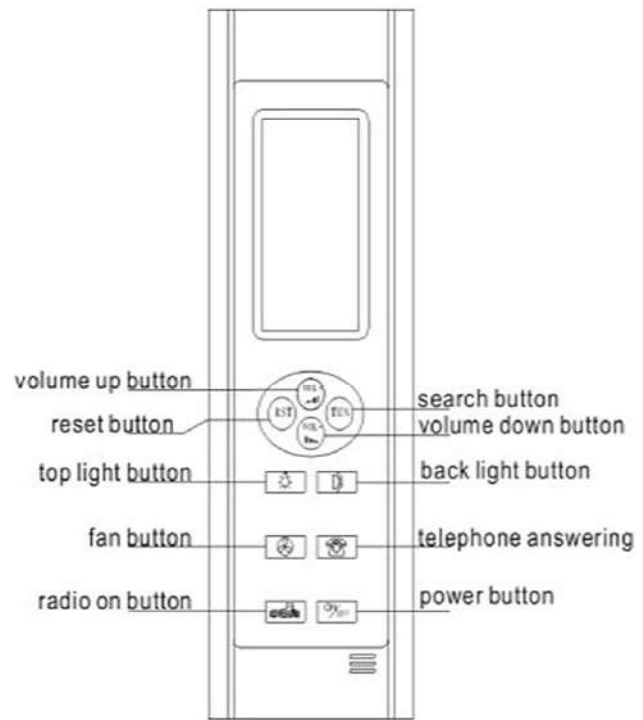
NOTICE:

If the anomaly occurred, cut off power, and ask the electrician to check and repair, do not disassemble and repair by yourself.

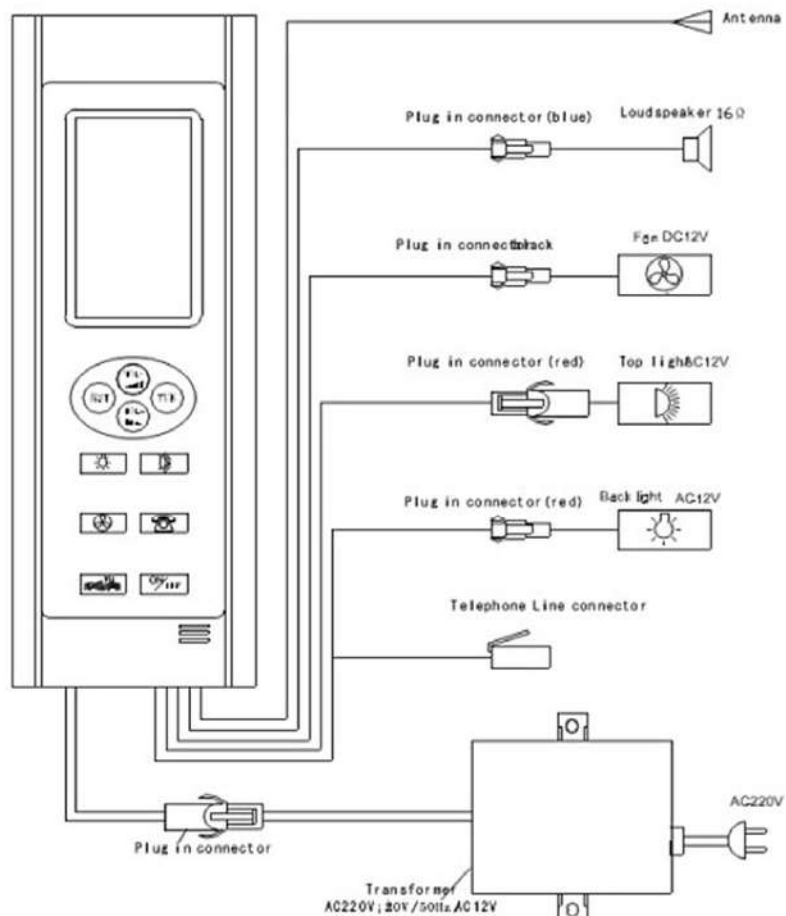


Whirlpool Shower/Bathtub MILAN/VIENNA

10. PC panel instruction



11. Connection Photo





Whirlpool Shower/Bathtub MILAN/VIENNA

12. CLEAN AND MAINTENANCE

- 1.You can use common liquid detergent and soft cloth to clean integrated shower booth instead of detergent containing acetone and ammonia.
2. If there is glue on the surface of booth, you can use soft cloth with a little of gasoline to remove it.If there is scratch on the surface of booth, you can use 1500#— 2000# waterproof abrasive paper to grind it, then coat toothpaste and polish it with soft cloth.
- 3.For gold-plating and aluminum-plating parts, no need to wipe them frequently
- 4.Do not use rough utensil or detergent containing chemical solvent and pellet to clean the surface of booth.
- 5.Do not use utensil and knife to knock booth.

NOTICE OF TRANSPORTATION AND STORAGE

- 1.While storing, keep upright and avoid overlapping. Prohibit to mix it with organic solvent such as formic acid and formaldehyde, etc.
- 2.While transporting, must handle gently and avoid stress, mechanical collision and violent shake.
- 3.If do not use for a long time,must keep dry and ventilated and away from corrosive gas.



Whirlpool Shower/Bathtub MILAN/VIENNA

13. Failure and the countermeasure

Once there is any failure as following, please check it according to the following countermeasures,if it is also exist,please contact the sales agents in our local area

Phenomena		cause	countermeasure
No power		no connecting	check the power
		plug	check the plug
		fuse wire	replace the fuse wire
No noise		problem with plug	check the plug
		speaker broken	replace or maintains
No radio		antenna disconnection	connecting the
		circuit board	maintains or replace
		antenna	adjust the position of
No light		bulb	replace
		plug	check the plug
No exhaust		ventilator	replace
		plug	check the plug