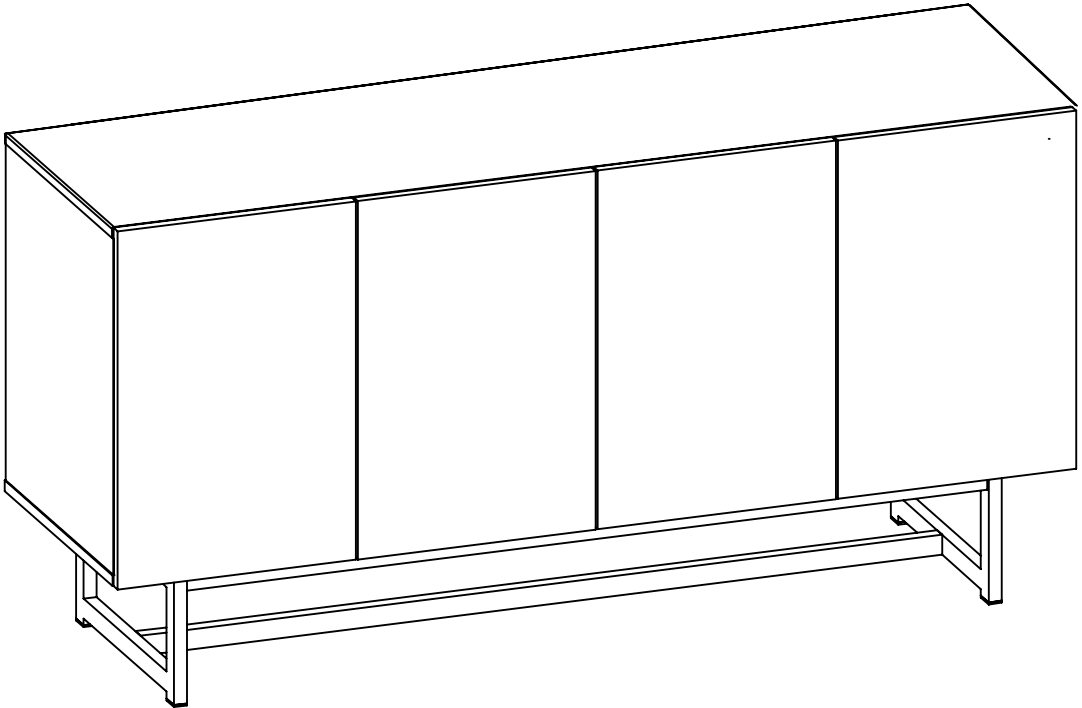


TVS-LTM-001-V2

TV Stand Media Console

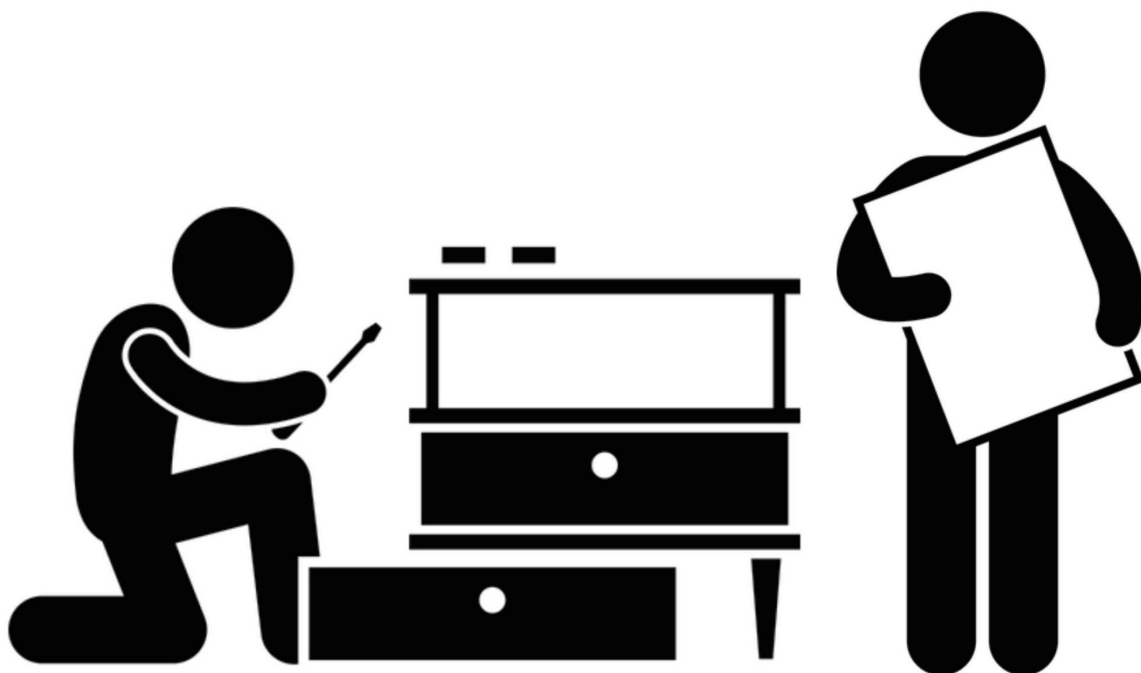


ASSEMBLY INSTRUCTION

ADULT ASSEMBLY REQUIRED

**THE PRODUCT MAY RECOMMENDED
ASSEMBLING BY MORE THAN ONE
PERSON.**

**PLEASE ASK FOR ASSISTANCE AT YOUR
CONVENIENCE BEFORE ASSEMBLING.**



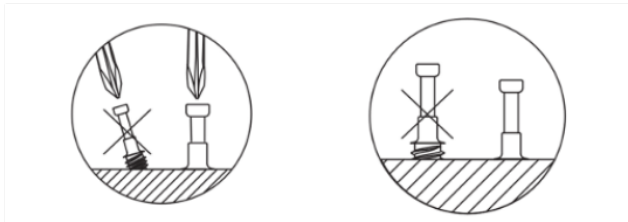
Before You Start



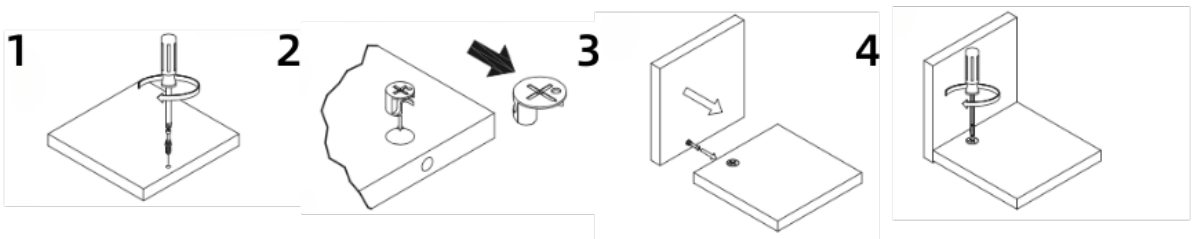
- Carefully read each step and follow the proper order
- Separate and count all parts and hardware
- Ensure you have enough space for assembly
- Have the following tools: Flat Head Screwdriver, #2 Phillips Head Screwdriver and Hammer
- Caution: If using a power drill or screwdriver, slow down and stop when the screw is tight to avoid stripping

Failure to do so may result in stripping the screw


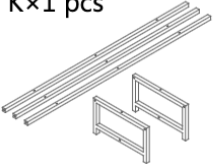
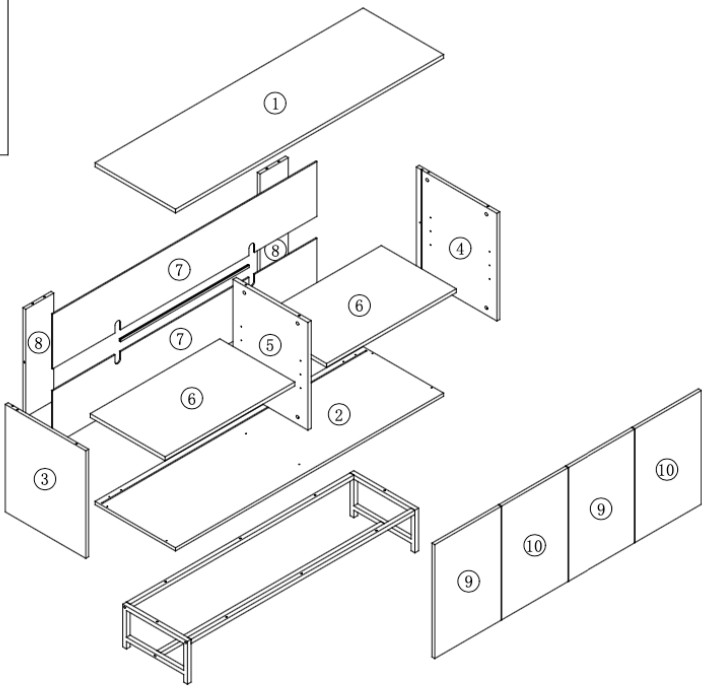









Cam Lock Fastening System



Ensure screws are evenly tightened and assembled vertically



Parts & Hardware

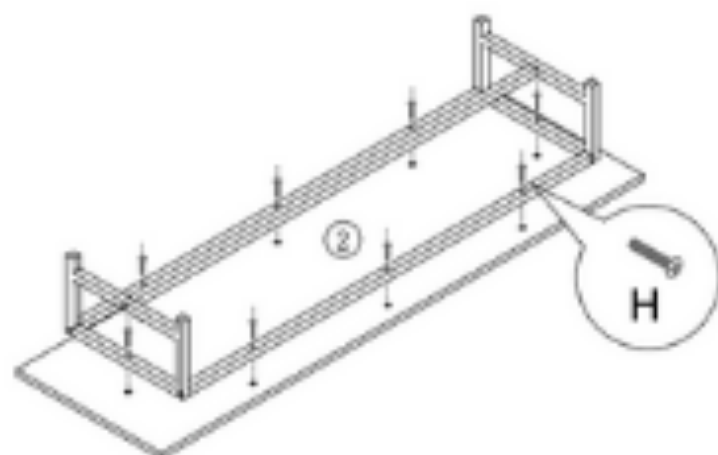
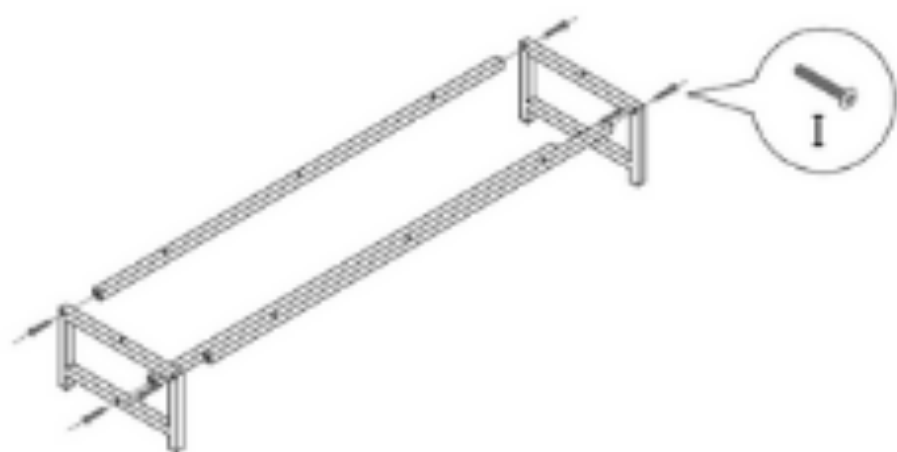
 A×22 pcs	K×1 pcs 	
 B×22 pcs		
 C×56 pcs		
 D×4 pcs		
 E×4 pcs		
 F×8 pcs		
 G×4 pcs	 J×1 pcs	
 H×8 pcs	 I×6 pcs	

Step 1

H×8

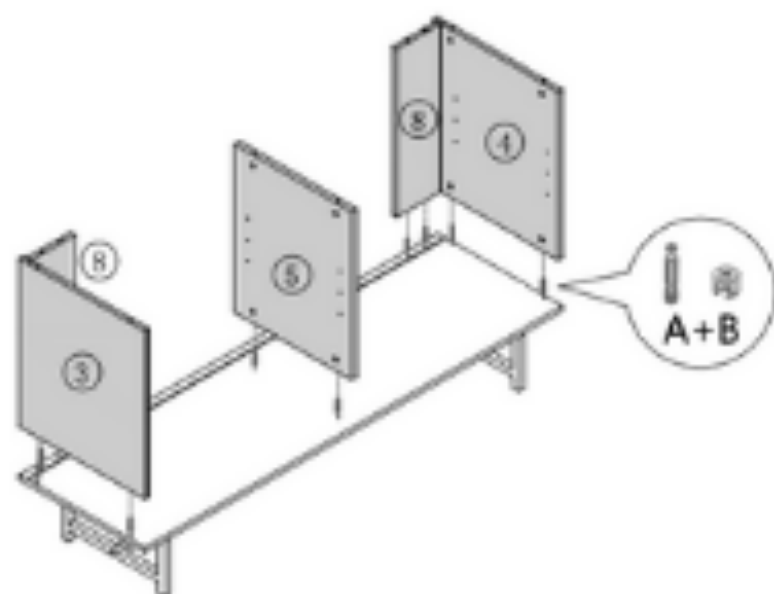
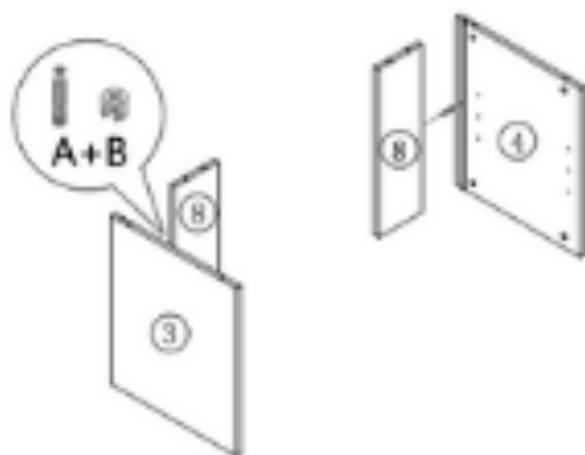
I×6

K×1



Step 2

A×12 B×12

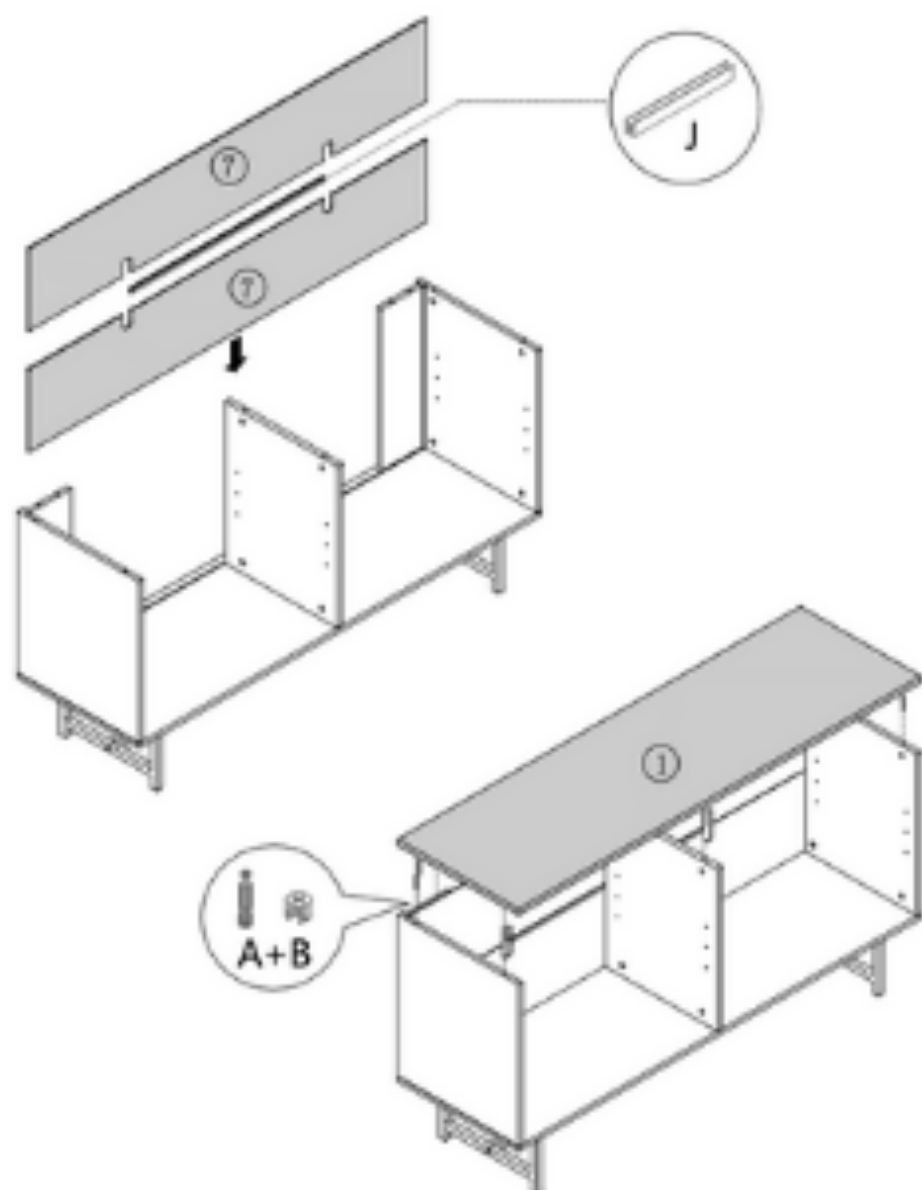


Step 3

J×1

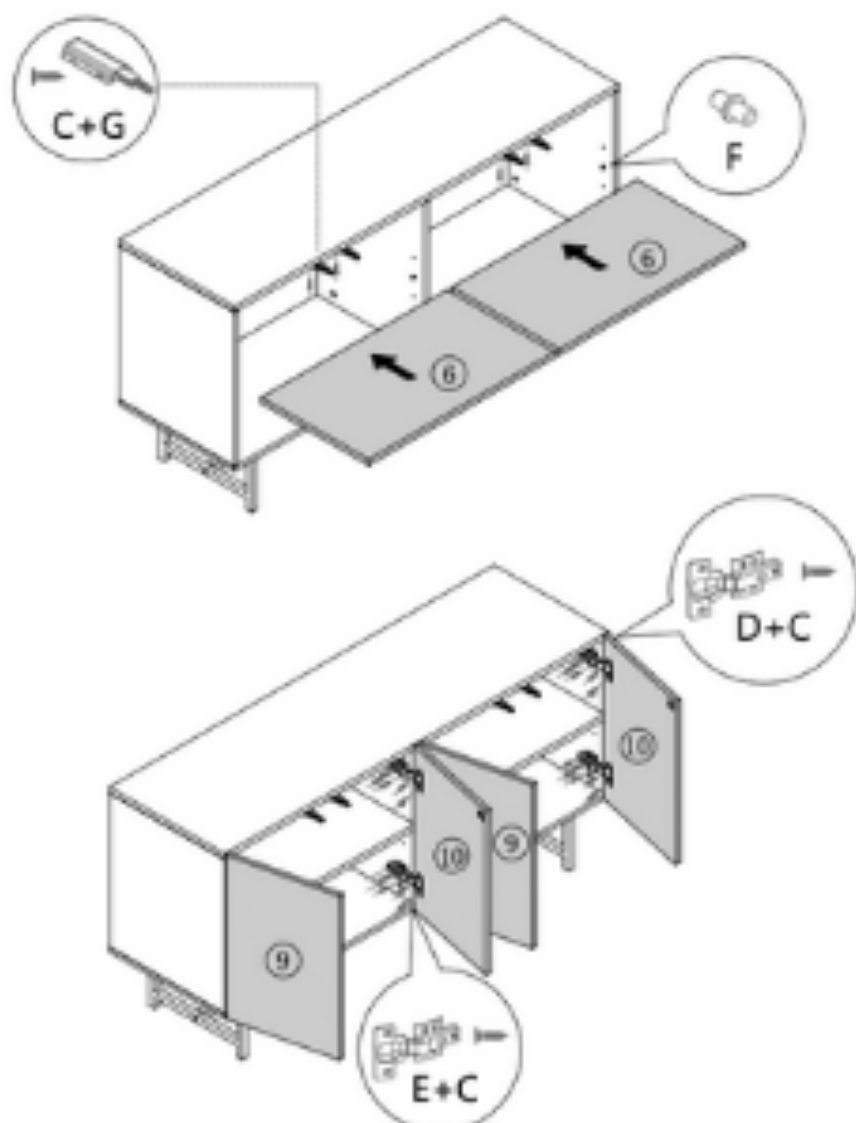
A×10

B×10



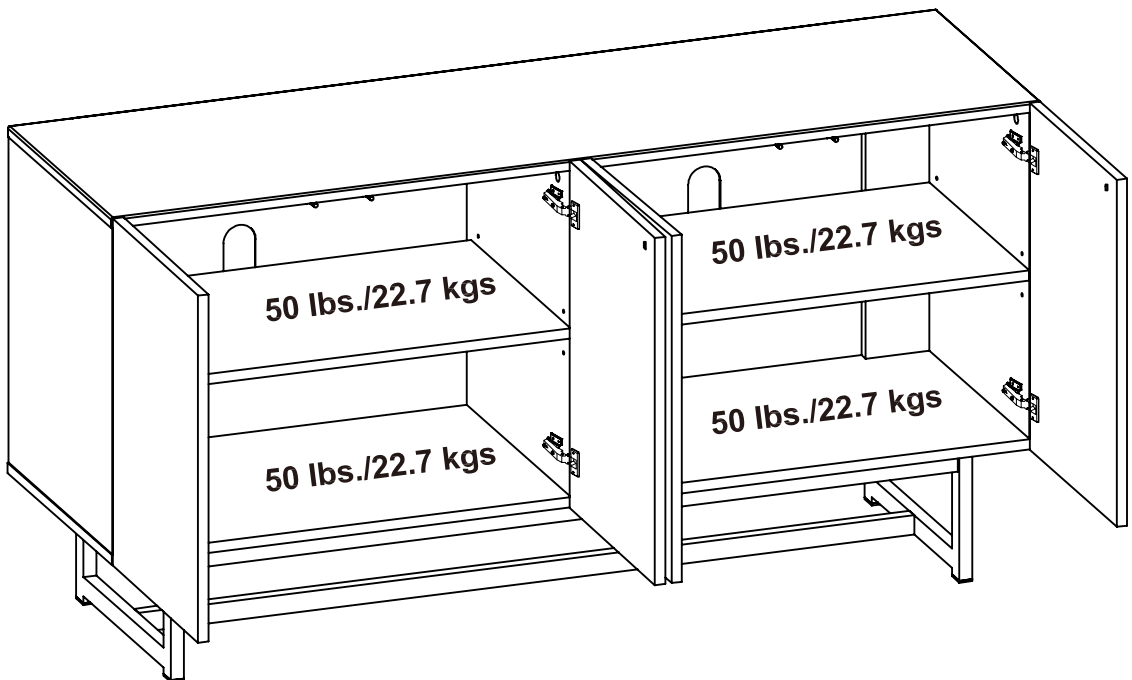
Step 4G×4
E×4F×8
C×56

D×4



Maximum Load Capacity

This unit is designed to support the listed maximum loads. Exceeding these limits may result in sagging, instability, collapse, or serious injury



WARNING

Ensure all items are removed before moving the unit. Lift with a team; do not drag or push. Failure to follow these instructions may result in instability, collapse, or serious injury.