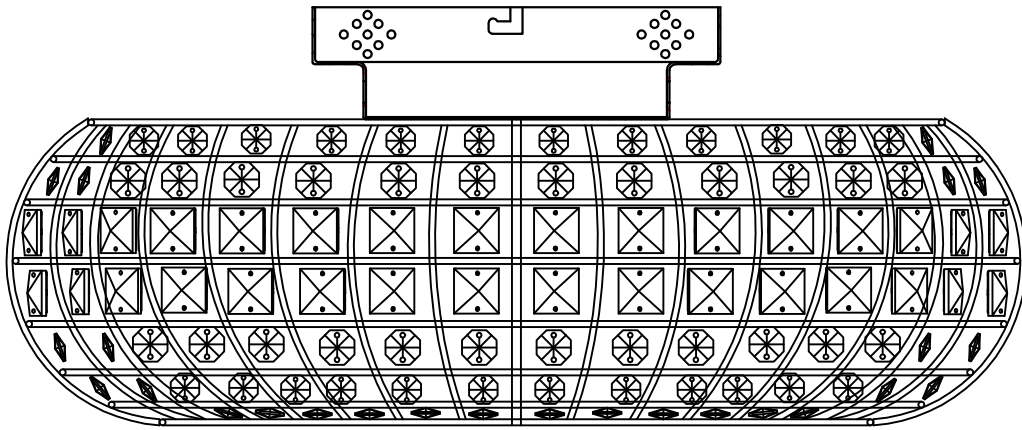


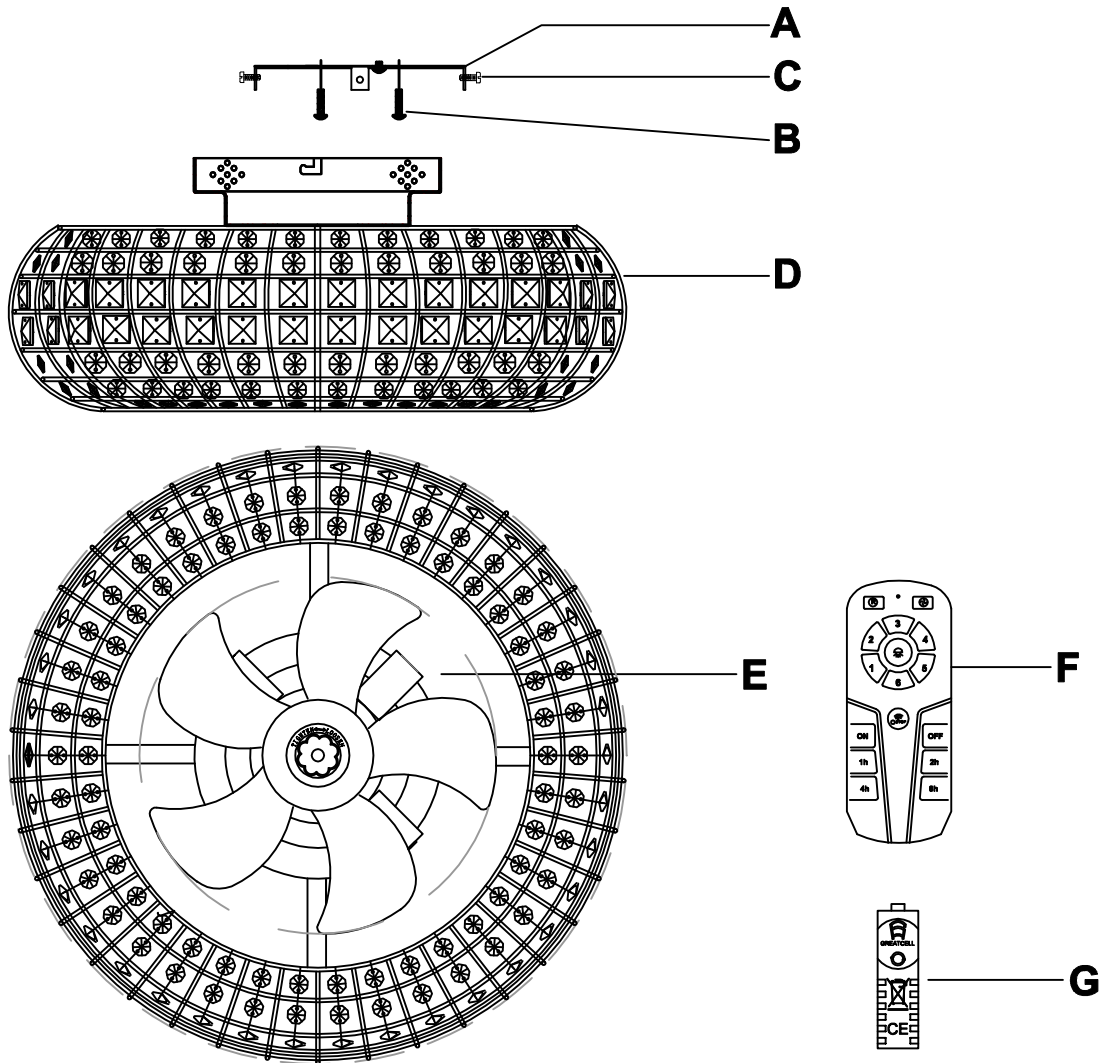
**WARNING: SHUT POWER OFF AT FUSE OR CIRCUIT BREAKER**

# **4-LIGHT CEILING MOUNTED FAN LIGHT**



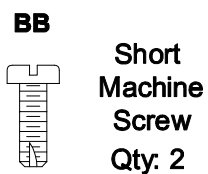
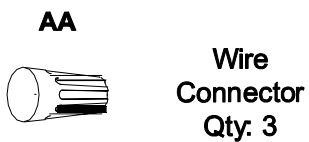
**WARNING: SHUT POWER OFF AT FUSE OR CIRCUIT BREAKER**

**PACKAGE CONTENTS**



PART	DESCRIPTION	QTY.
A	Mounting Bracket	1
B	Tapping screw	2
C	Machine screw	4
D	Fan lamp body	1
E	lamp holder	4
F	remote control	1
G	battery	2

**HARDWARE CONTENTS**



## WARNING: SHUT POWER OFF AT FUSE OR CIRCUIT BREAKER

### ! SAFETY INFORMATION

Please read and understand this entire manual before attempting to assemble, operate or install the product.

### ! WARNING

- **IMPORTANT: NEVER** attempt any work without shutting off the electricity.
- Place the main power switch in the "OFF" position and unscrew the fuse(s), or switch "OFF" the circuit breaker switch(es), that control the power to the fixture or room you are working in.
- Place the wall switch in the "OFF" position. If the fixture to be replaced has a switch or pull chain, place it in the "OFF" position.
- Do not use bulbs with wattage greater than specified on this fixture.

### CAUTION

- If you have any doubts about how to install this lighting fixture, or if the fixture fails to operate completely, please contact a licensed electrical contractor.
- All parts must be used as indicated in these instructions. Do not substitute any parts, leave parts out, or use any parts that are worn out or broken. Failure to obey this instruction could invalidate ETL listing and/or C.S.A. certification of this fixture.

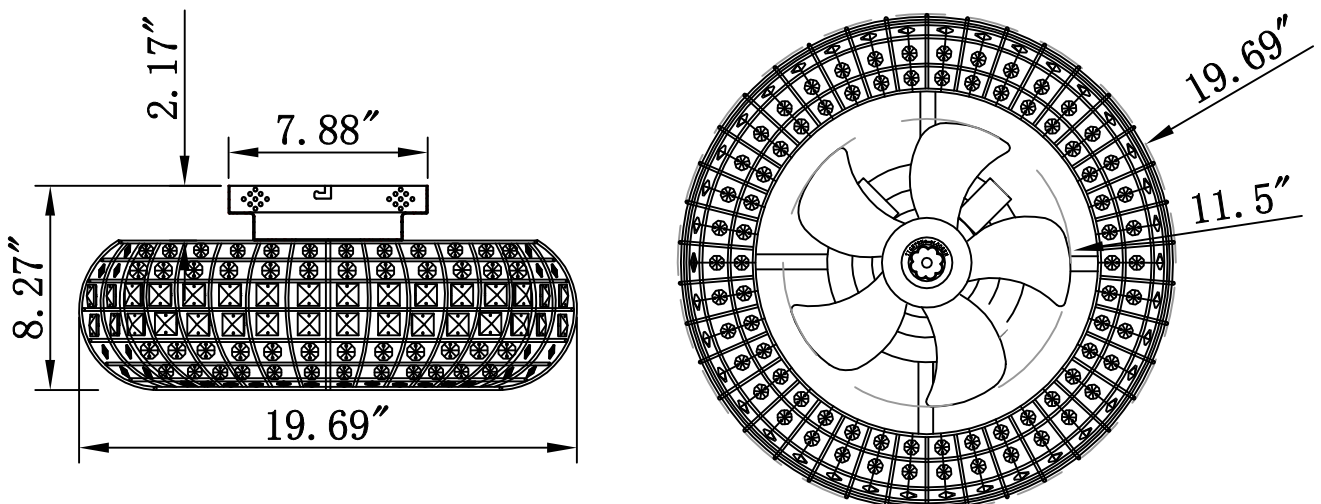
### PREPARATION

Before beginning assembly of product, make sure all parts are present. Compare parts with package contents list and hardware contents list. If any part is missing or damaged, do not attempt to assemble the product.

**Estimated assembly time: 30 minutes to 1 hour**

Tools Required for Assembly (not included): Phillips screwdriver, flathead screwdriver, wire strippers, electrical tape, ladder, safety glasses.

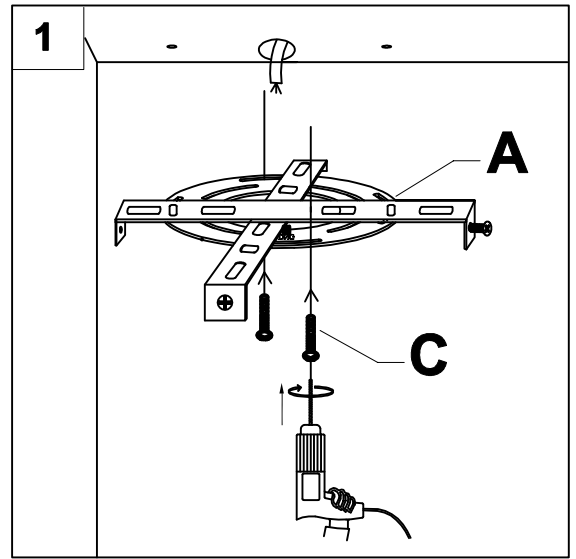
### SIZE OF PRODUCT



**ASSEMBLY INSTRUCTIONS**

**1. Mounting Bracket (A) Tapping screw (C)**

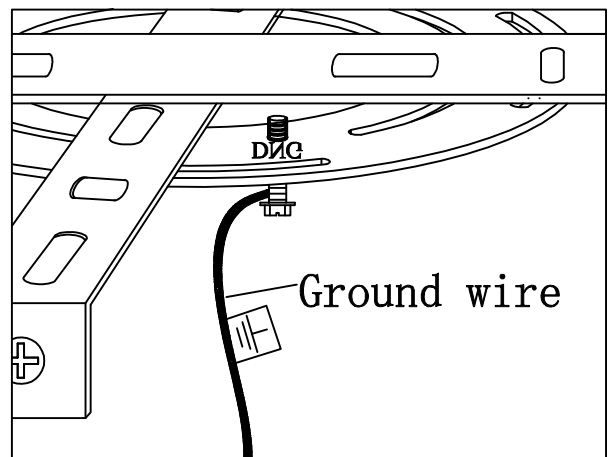
**Note:** Tighten the hanging plate onto the wall with self tapping screws



**2. Wire connection guide:**

**Ground wire:**

- **For installation in the United States:** Wrap ground wire from outlet box around ground screw preassembled on mounting bracket (B) no less than 2 in. from wire end. Tighten ground screw. If fixture is supplied with a ground wire, connect to outlet ground wire with a wire connector (AA).
- **For installation in Canada:** If fixture is supplied with ground wire, wrap ground wire around ground screw on mounting bracket (B). Tighten ground screw. Connect fixture ground wire to outlet ground wire with the wire connector (AA).



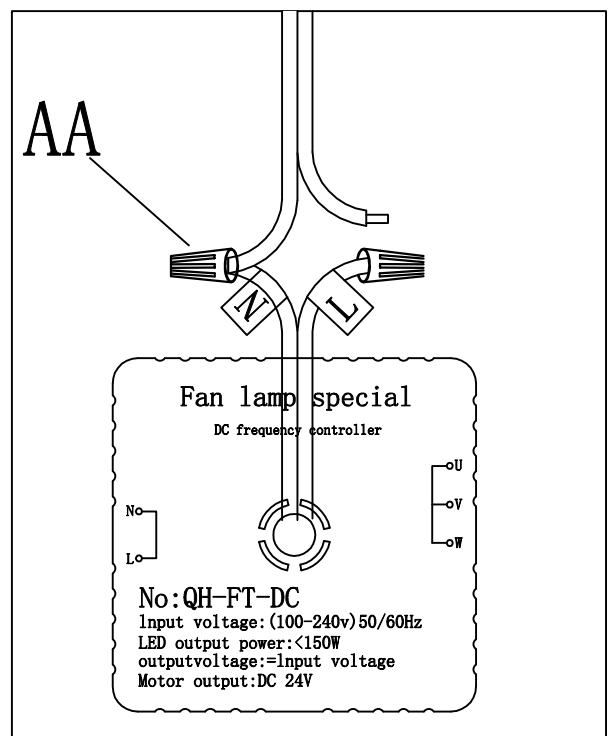
**Supply wires:**

- Connect the Neutral (White) supply wire from the outlet box to the Neutral fixture wire (White or Parallel Cord "D" shaped and ribbed).
- Connect the Hot (Black) supply wire from the outlet box to the Hot fixture wire (Black or Parallel Cord round and smooth).

**NOTE:**

Fixture wires will either be:

- Black and White.
- Parallel Cord SPT-1 lamp wire with one round smooth wire and one "D" shaped ribbed wire.



**Hardware Used**

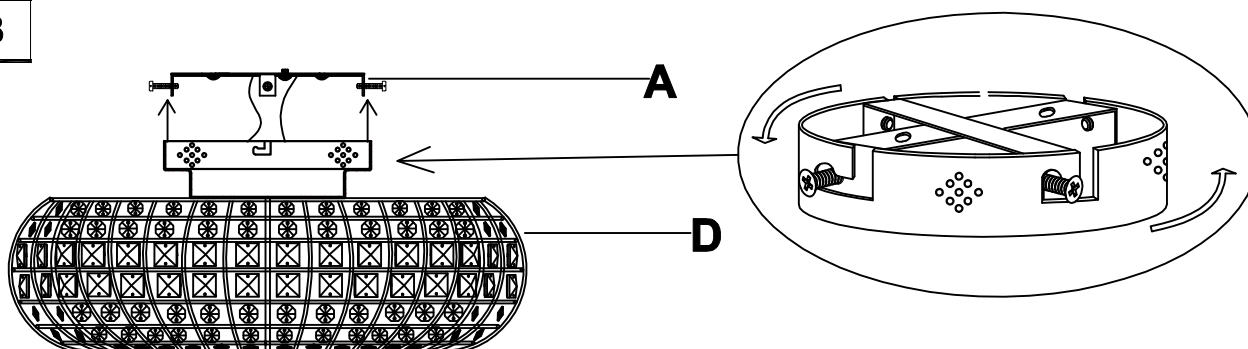
**AA** Wire Connector



x 3

**ASSEMBLY INSTRUCTIONS**

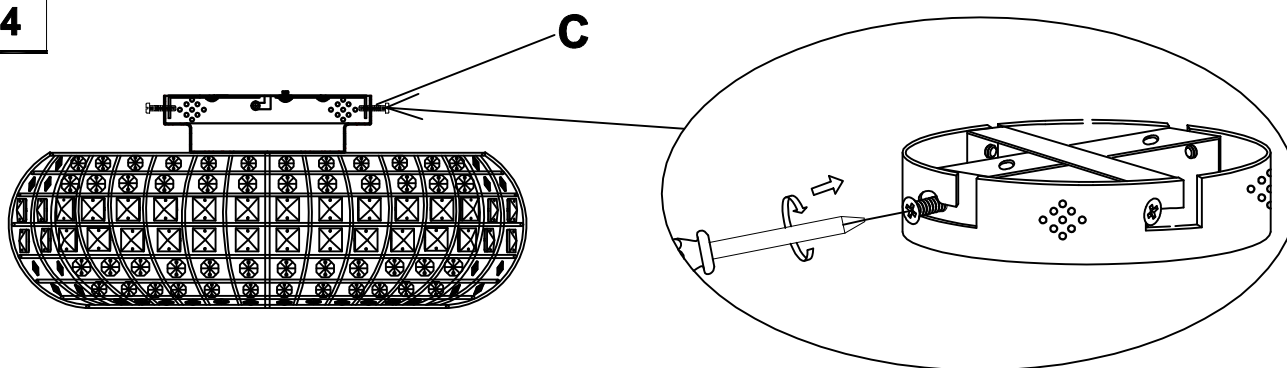
**3**



**3. Mounting Bracket (A) Fan lamp body (D)**

**Note:** Align the circular hole of the fan lamp body with the mechanical screw on the installation bracket, fit it against the wall, and insert it into the circular hole of the fan lamp body. Rotate it to the left to ensure that the mechanical screw on the installation bracket is perfectly inserted into the side hole of the fan lamp body. Please note that the electrical wires of the lamp body should not be pressed against the wall or the outer side of the fan lamp body disc during this step.

**4**



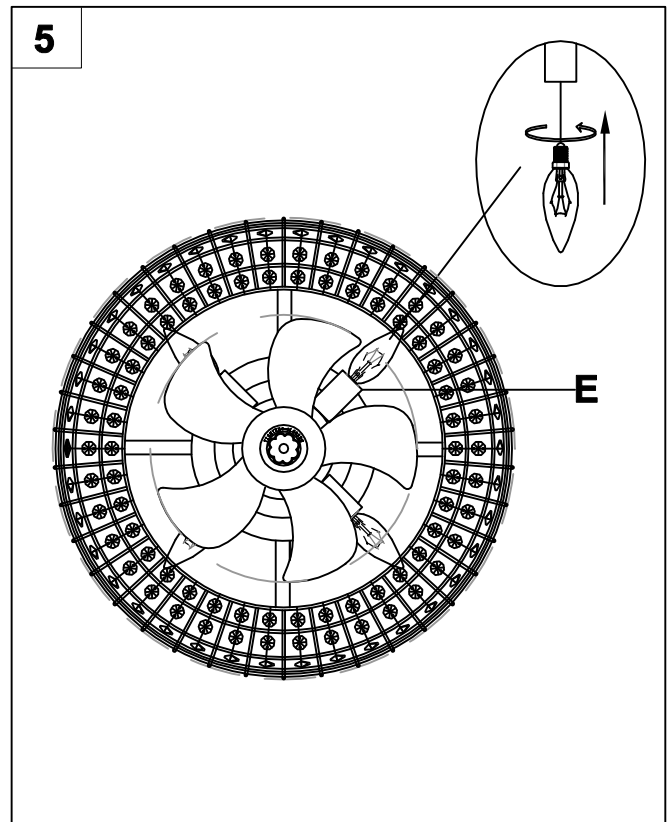
**4. Machine screw (C)**

**Note:** Use a screwdriver to sequentially lock the mechanical screws on the mounting bracket onto the fan lamp body disc.

**WARNING: SHUT POWER OFF AT FUSE OR CIRCUIT BREAKER**

**ASSEMBLY INSTRUCTIONS**

- 5. Insert 40-watt max. candelabra-base incandescent bulb or CFL/LED equivalent (none included) into socket (E).



**CARE AND MAINTENANCE**

- . Always be certain that electric current is turned off before cleaning this item.
- . Use a soft, moist cloth with mild non-abrasive soap to clean fixture. Never use glass cleaner on fixture, as it will damage the metal finish.
- . All glass shades may be washed in a towel-lined sink with warm water and mild soap. Do not wash shades in an automatic dishwasher.

**TROUBLESHOOTING**

<b>PROBLEM</b>	<b>POSSIBLE CAUSE</b>	<b>CORRECTIVE ACTION</b>
Fixture does not light.	1. Fixture may be wired incorrectly. 2. Worn or broken bulb.	1. Check wiring. 2. Replace bulb.

**WARNING: SHUT POWER OFF AT FUSE OR CIRCUIT BREAKER**

**WARRANTY**

---

The manufacturer warrants that its products will be free from defects in material and workmanship for one (1) year from the date of purchase by the original purchaser.

To replace a product with a warranted defect, the original purchaser must return any allegedly defective parts or products to the authorized warehouse from which the product was purchased, along with proof of purchase, the original purchaser's name and return address, and a description of the claimed defect.

If any warranted products are found, at the manufacturer's sole discretion, to be defective, such products will, at its option and cost, be replaced, repaired, or refunded, less an amount directly attributable to the original purchaser's prior use of the product. The repaired or replaced product will be returned with prepaid freight. This warranty does not cover labor or other costs or expenses required to remove or install any defective, repaired, or replaced product.

The parties expressly agree that the original purchaser's sole and exclusive remedy shall be the repair, replacement, or refund of defective products as provided herein. This warranty extends only to the original purchaser and is not transferable to heirs, subsequent owners, or otherwise, and becomes void if the original purchaser no longer owns the product.

This warranty does not apply to any products that have been subjected to misuse, mishandling, misapplication, connection to voltage more than 5% above standard North American voltage, unusual use (including but not limited to use in environments where the annual average ambient operating temperature is below 27°F or above 95°F), neglect (including improper maintenance), accidents, acts of God such as high winds, improper installation or care, failure to follow written instructions for normal use and care, improper packaging of returned products, modification (including use of unauthorized parts or attachments), or unauthorized adjustment or repair.

Significant exposure to chemicals, harsh cleaners, salt water, or salt air will void all warranties on exterior finishes. This warranty applies only when all components, including transformers, are provided by the manufacturer. Substituting another manufacturer's products or components will render the warranty void.

**THIS WARRANTY GIVES YOU SPECIFIC LEGAL RIGHTS. YOU MAY ALSO HAVE OTHER RIGHTS WHICH VARY FROM STATE TO STATE. SOME STATES DO NOT ALLOW LIMITATIONS ON IMPLIED WARRANTIES OR THE EXCLUSION OR LIMITATION OF INCIDENTAL OR CONSEQUENTIAL DAMAGES, SO THE ABOVE LIMITATIONS OR EXCLUSIONS MAY NOT APPLY TO YOU.**

**THE FOREGOING WARRANTY IS IN LIEU OF ALL OTHER WARRANTIES, EXPRESS OR IMPLIED, INCLUDING WARRANTIES OF MERCHANTABILITY, FITNESS FOR A PARTICULAR PURPOSE, OR NON-INFRINGEMENT. THE ORIGINAL PURCHASER SHALL NOT BE ENTITLED TO, AND THE MANUFACTURER SHALL NOT BE LIABLE FOR, ANY INDIRECT, SPECIAL, INCIDENTAL, OR CONSEQUENTIAL DAMAGES OF ANY KIND, INCLUDING BUT NOT LIMITED TO LOSS OF PROFITS, PROMOTIONAL OR MANUFACTURING EXPENSES, OVERHEAD, INJURY TO REPUTATION, OR LOSS OF CUSTOMERS.**