

## NOTICE

---

\* Please make sure that you have all parts indicated and they are in good condition before you begin assembly of this item. Refer to part list and hardware list below for guidance.

\* This item should be assembled on a soft surface to prevent scratching the finish during assembly.

\* This item may require periodic tightening

\* If you are having difficulty, our friendly Customer Care team is always here to help.

## PREPARATION

---

\* Before beginning assembly of product, make sure all parts are present. Compare parts with part contents list and hardware contents list.

\* If any part is missing or damaged, do not attempt to assemble the product.

\* Estimated assembly time : **20 minutes**

\*Tools required for assembly (included) : **Allen key**

\*Tools required for assembly (not included) : **Philip screw driver**

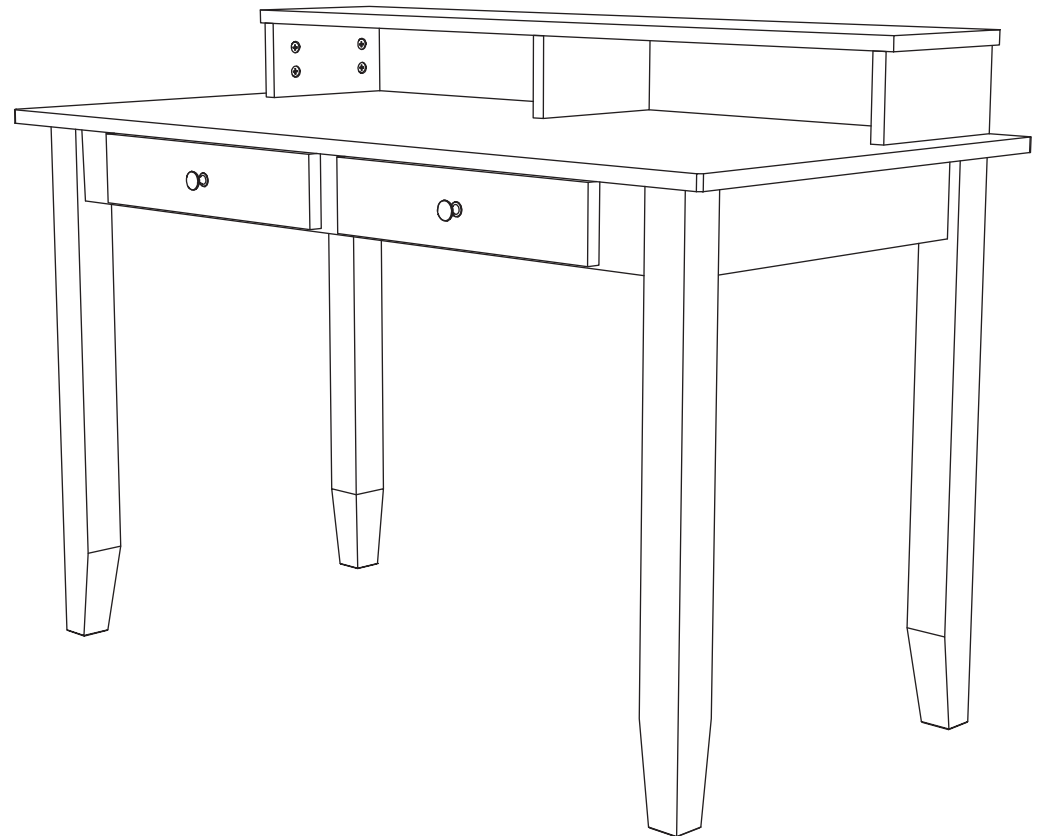
\*Tools required for assembly (not included) : **Mallet**

## CARE AND MAINTENANCE

---

Always use felt pads under all articles to prevent discoloration or softening of the lacquer. Plastic and rubber bases on items can discolor wood. Wipe up spill immediately and avoid common hazards such as hot dishes, harsh solvents and abrasives. Cleaning should be done with a soft lint free cotton cloth dampened with water or furniture polish. On highly used surface we recommend applying a quality paste wax which should be used on a regular basis to provide additional protection from scratches and spills. How often you apply the wax depends on how much wear the furniture receives.

Product Dimensions : 47.24" W x 23.62" D x 33.07" H

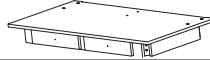

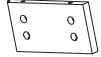











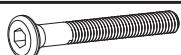
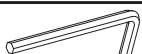


Weight capacity - 145 LBS

Warning : Do not stand on table.

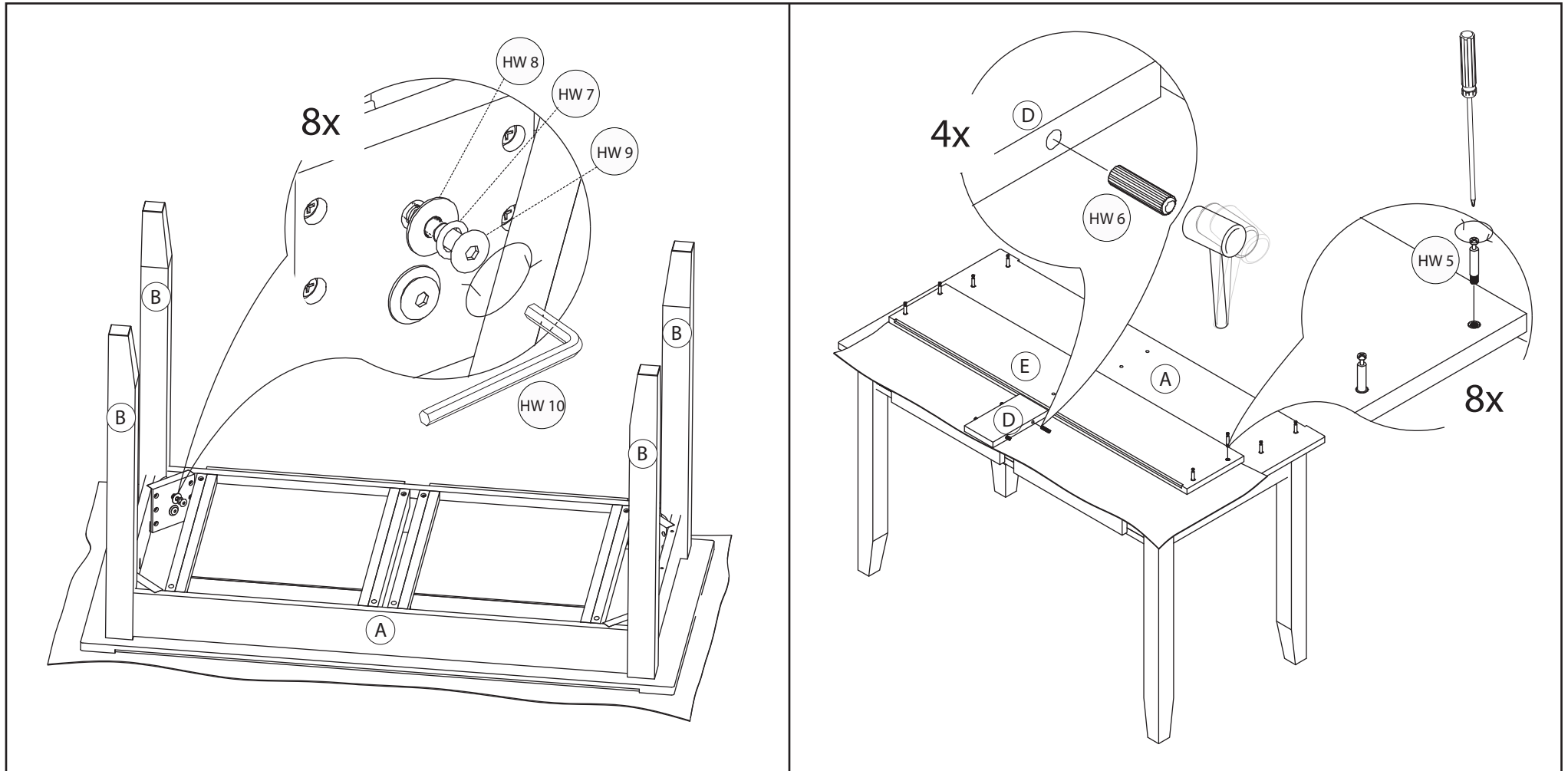
Warning : Do not over torque bolts.

### Part List and Hardware List

PIECE	DESCRIPTION	PICTURE	QUANTITY
A	Table Top		1x
B	Leg		4x
C	Side Panel L/R		2x
D	Mid Panel		1x
E	Top Panel		1x
F	Back Panel		1x
HW 1	Silver Metal Knob		2x
HW 2	Truss Screw 22mm		2x
HW 3	Nail 21mm x $\varnothing$ 1.5mm		13x
HW 4	Cam Lock (Minifix)		8x
HW 5	Shaft (Minifix)		8x
HW 6	Wood Dowel M8 x 30mm		4x
HW 7	Spring Washer 8mm		8x
HW 8	Flat Washer 8mm		8x
HW 9	Jcbc Bolt M8x0.5x70mm		8x
HW 10	Allen Key M5		1x

## PREPARATION

- \* Before beginning assembly of product, make sure all parts are present. Compare parts with part contents list and hardware contents list.
- \* If any part is missing or damaged, do not attempt to assemble the product.
- \* Estimated assembly time : 20 minutes
- \* Tools required for assembly (included) : Allen key
- \* Tools required for assembly (not included) : Philip screw driver
- \* Tools required for assembly (not included) : Mallet
- \* If you are having difficulty, our friendly Customer Care team is always here to help.

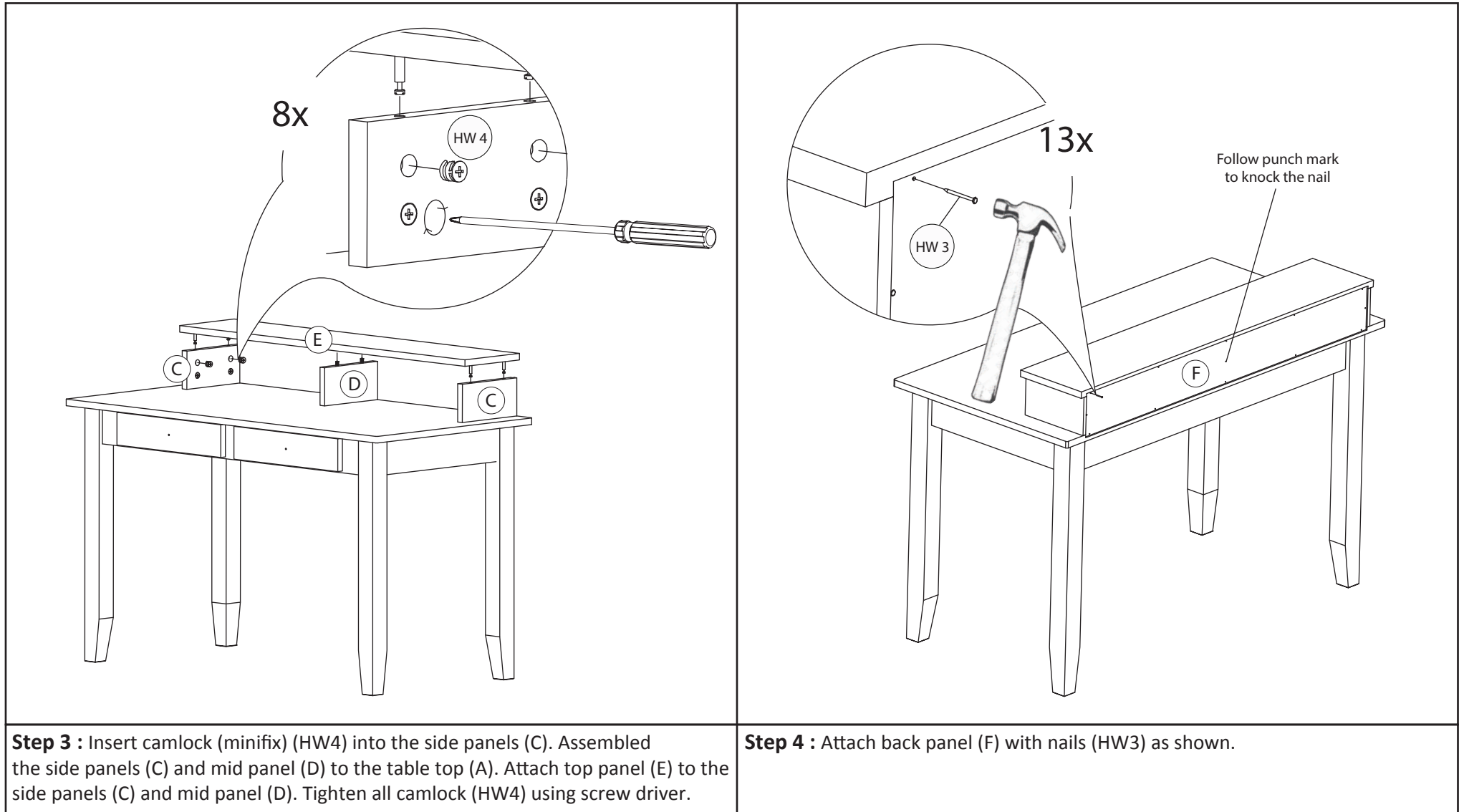


**Step 1 :** Place the table top (A) upside down on a clear and smooth to avoid scratch the surface. Place the leg (B) in position and screw in the bolts (HW9). Put the washer (HW7,HW8) on the bolts (HW9) in the order shown in the picture.

**Step 2 :** Insert the shaft (minifix)(HW5) inside the thread nut at the table top (A) and top panel (E). Then, insert wood dowel (HW6) inside the hole at the mid panel (D). Be careful with the table surface, cover it before place any part on it.

## PREPARATION

- \* Before beginning assembly of product, make sure all parts are present. Compare parts with part contents list and hardware contents list.
- \* If any part is missing or damaged, do not attempt to assemble the product.
- \* Estimated assembly time : 20 minutes
- \* Tools required for assembly (included) : Allen key
- \* Tools required for assembly (not included) : Philip screw driver
- \* Tools required for assembly (not included) : Mallet
- \* If you are having difficulty, our friendly Customer Care team is always here to help.

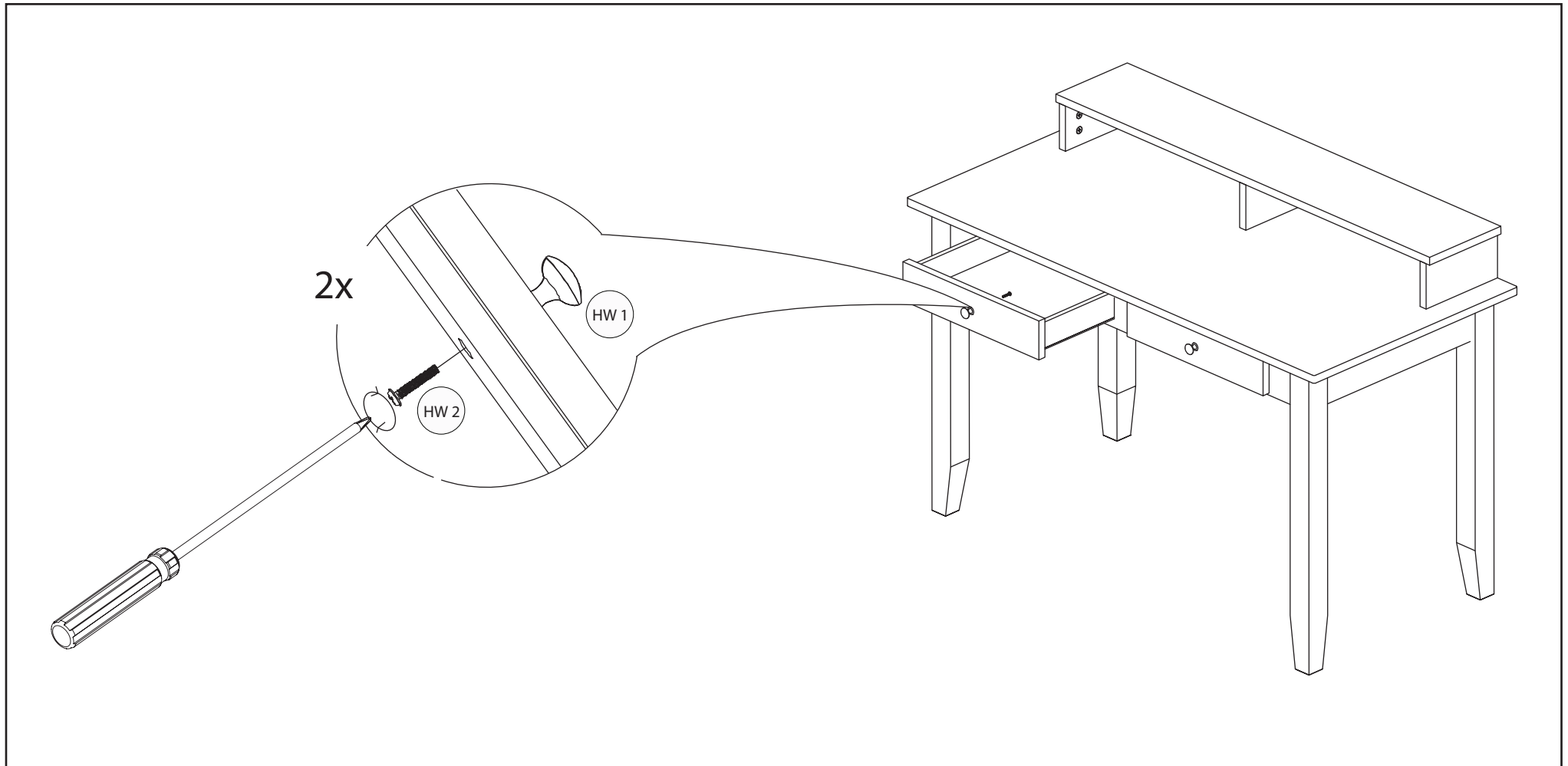


**Step 3 :** Insert camlock (minifix) (HW4) into the side panels (C). Assembled the side panels (C) and mid panel (D) to the table top (A). Attach top panel (E) to the side panels (C) and mid panel (D). Tighten all camlock (HW4) using screw driver.

**Step 4 :** Attach back panel (F) with nails (HW3) as shown.

## PREPARATION

- \* Before beginning assembly of product, make sure all parts are present. Compare parts with part contents list and hardware contents list.
- \* If any part is missing or damaged, do not attempt to assemble the product.
- \* Estimated assembly time : 20 minutes
- \* Tools required for assembly (included) : Allen key
- \* Tools required for assembly (not included) : Philip screw driver
- \* Tools required for assembly (not included) : Mallet
- \* If you are having difficulty, our friendly Customer Care team is always here to help.



**Step 5** : Pull out the drawer unit, then attach silver metal knob (HW1) using the truss screw (HW2).