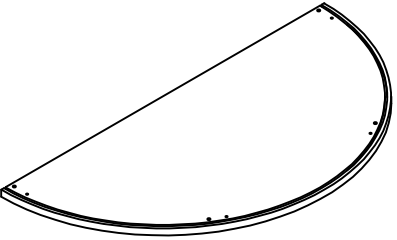
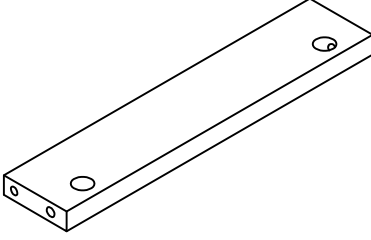
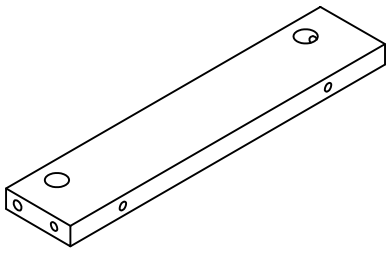


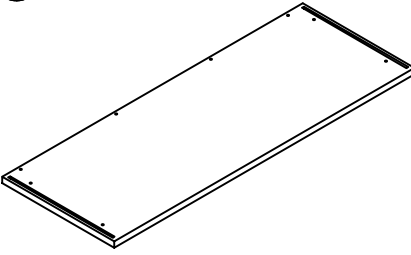
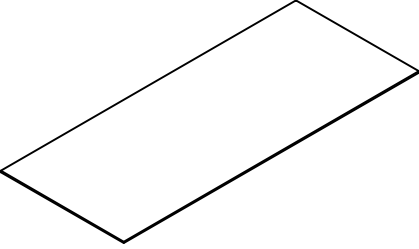
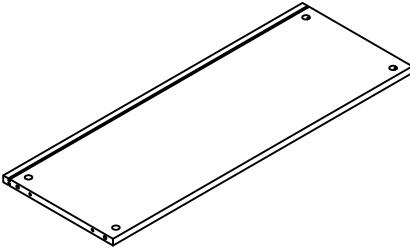
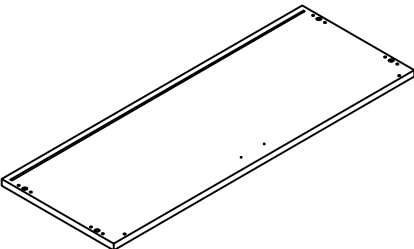
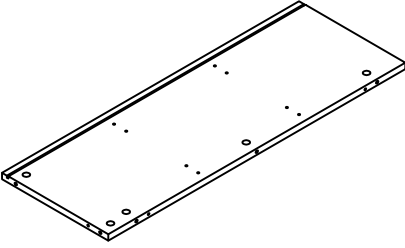
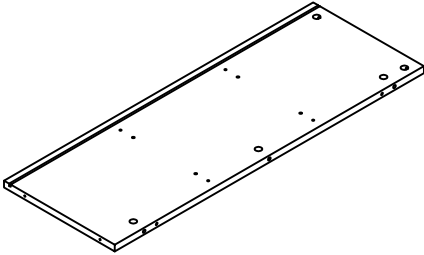
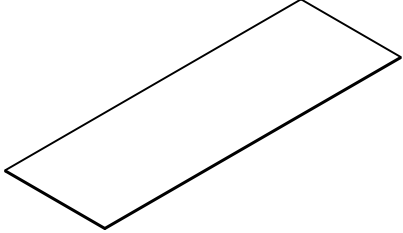
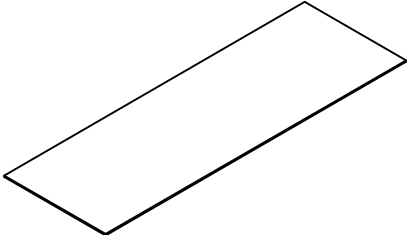
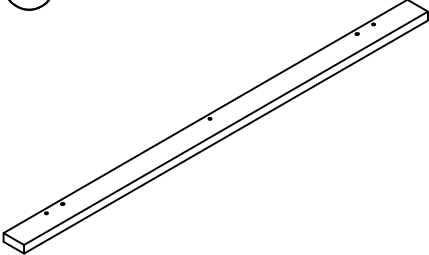
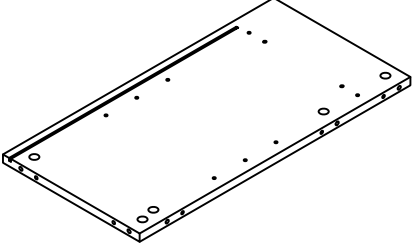
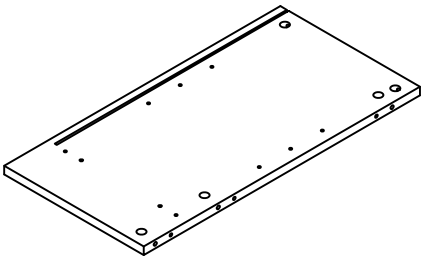


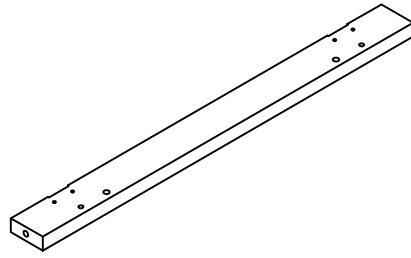
<p>①</p>  <p>1 PC</p>	<p>②</p>  <p>2 PCS</p>	<p>③</p>  <p>2 PCS</p>
<p>④</p>  <p>1 PC</p>	<p>⑤</p>  <p>1 PC</p>	<p>⑥</p>  <p>1 PC</p>
<p>⑦</p>  <p>2 PCS</p>	<p>⑧</p>  <p>2 PCS</p>	<p>⑨</p>  <p>1 PC</p>
<p>⑩</p>  <p>1 PC</p>	<p>⑪</p>  <p>1 PC</p>	<p>⑫</p>  <p>3 PCS</p>
<p>⑬</p>  <p>2 PCS</p>	<p>⑭</p>  <p>2 PCS</p>	<p>⑮</p>  <p>1 PC</p>

16



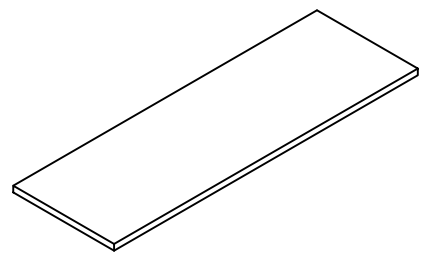
1 PC

17



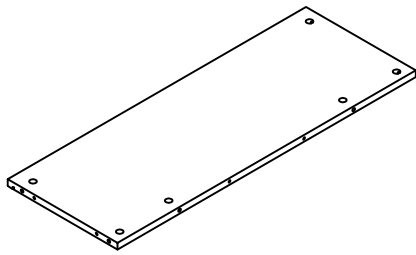
2 PCS

18



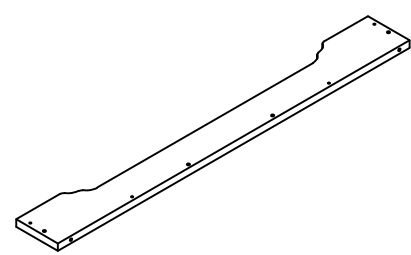
1 PC

19



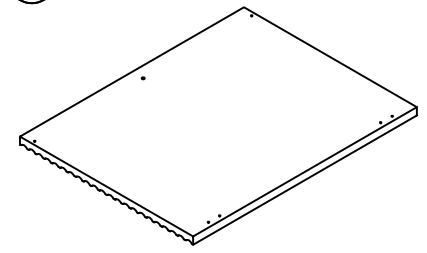
1 PC

20

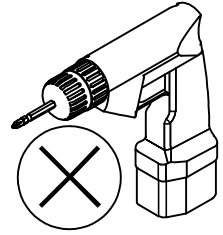
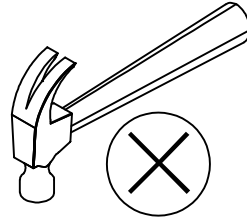
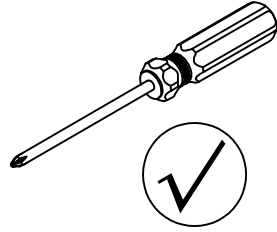
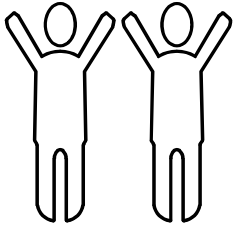


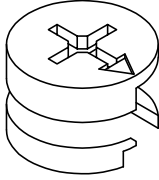
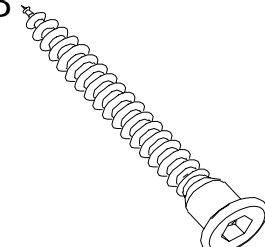
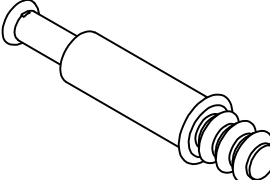
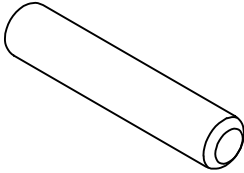
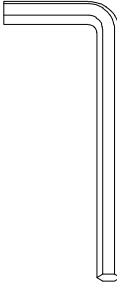
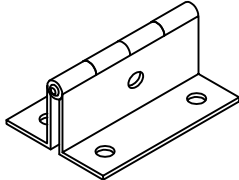
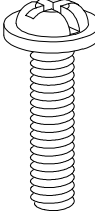
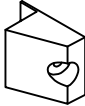
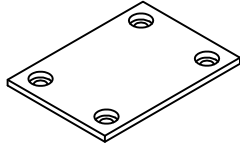
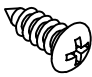
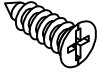
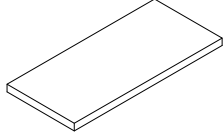
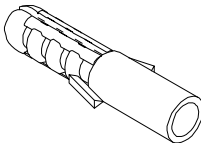
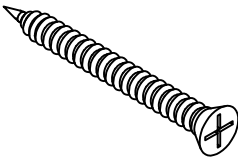
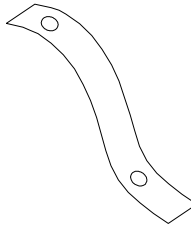
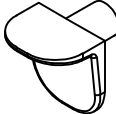
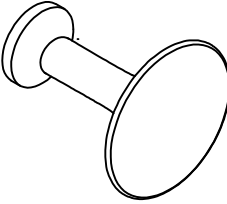
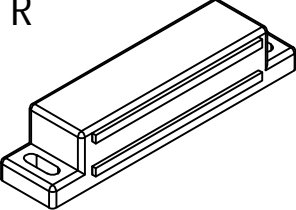
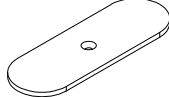
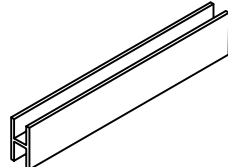
1 PC

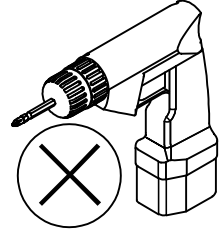
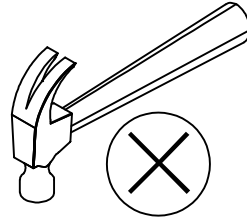
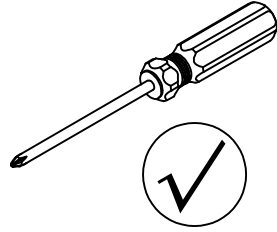
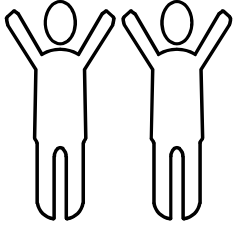
21



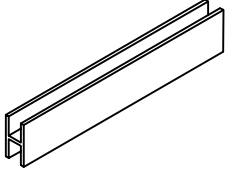
2 PCS



<p>A</p>  <p>∅15*10mm 42PCS</p>	<p>B</p>  <p>M5*45mm 12PCS</p>	<p>C</p>  <p>∅6*35mm 42PCS</p>	<p>D</p>  <p>∅6*30mm 44PCS</p>
<p>E</p>  <p>4mm 1PC</p>	<p>F</p>  <p>41*15*1 4PCS</p>	<p>G</p>  <p>M4*18mm 2PCS</p>	<p>H</p>  <p>13*13*11 36PCS</p>
<p>I</p>  <p>40*28*1 1PC</p>	<p>J</p>  <p>M3*16mm 39PCS</p>	<p>K</p>  <p>M3*14mm 30PCS</p>	<p>L</p>  <p>25*11*3mm 6PCS</p>
<p>M</p>  <p>M8*37mm 1PC</p>	<p>N</p>  <p>M4*35mm 1PC</p>	<p>O</p>  <p>205*25 1PC</p>	<p>P</p>  <p>17*12*13 4PCS</p>
<p>Q</p>  <p>∅28*24 2PCS</p>	<p>R</p>  <p>74*16 1PC</p>	<p>S</p>  <p>34*12*1mm 2PCS</p>	<p>T</p>  <p>268*12*6 1PC</p>

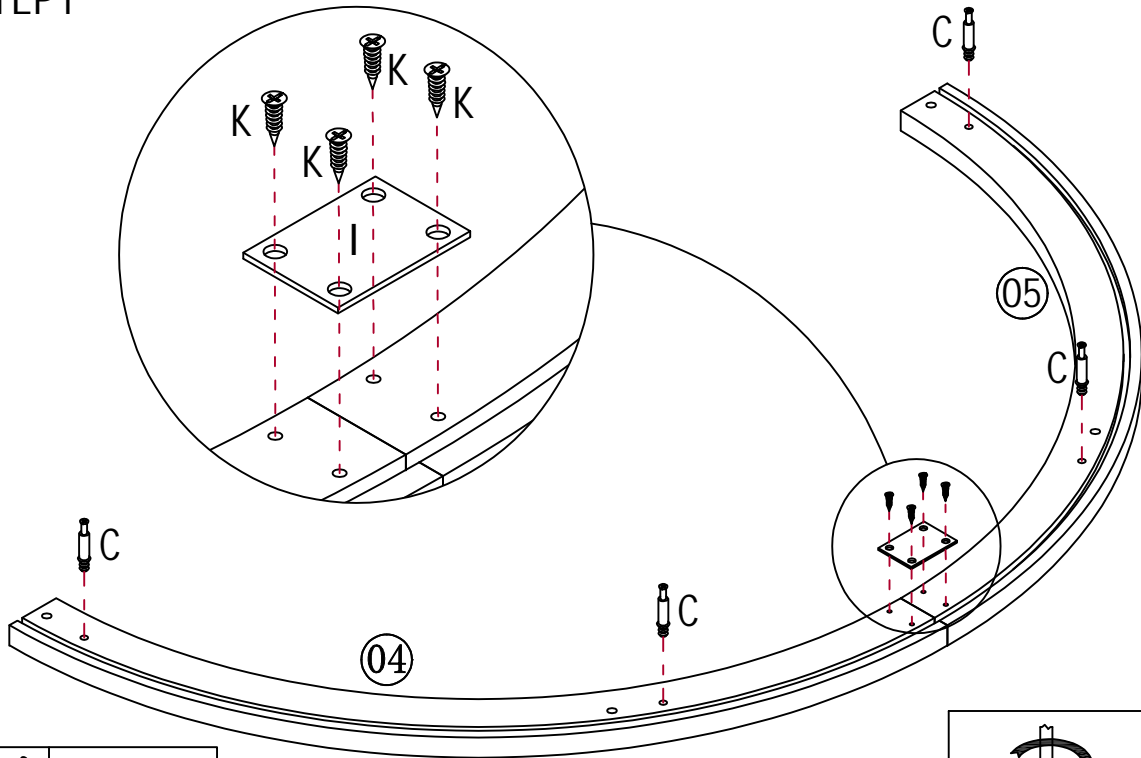





U

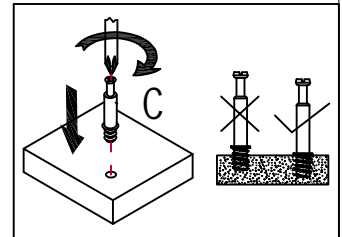


768*355.5*15 1PC

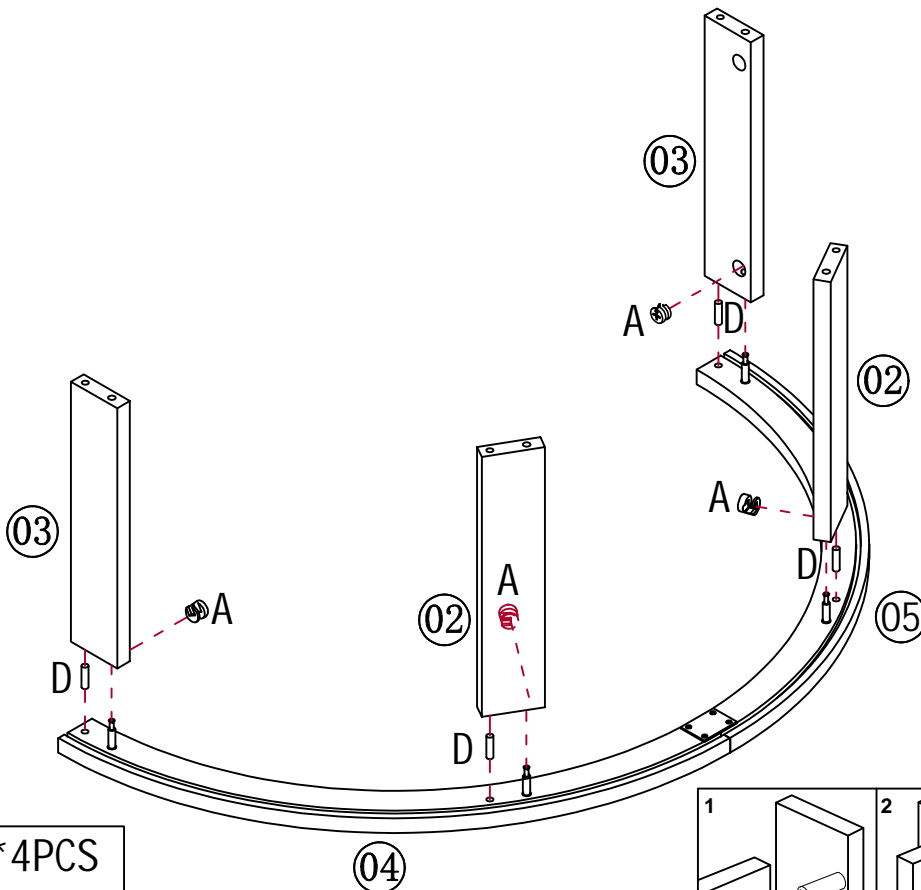
STEP1





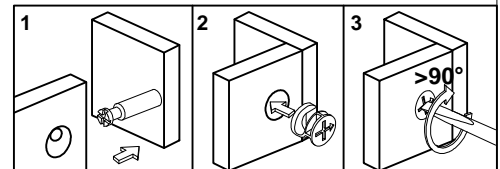
	C*4PCS
	K*4PCS
	I*1PC



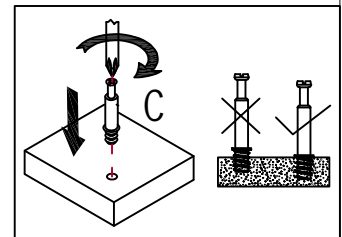
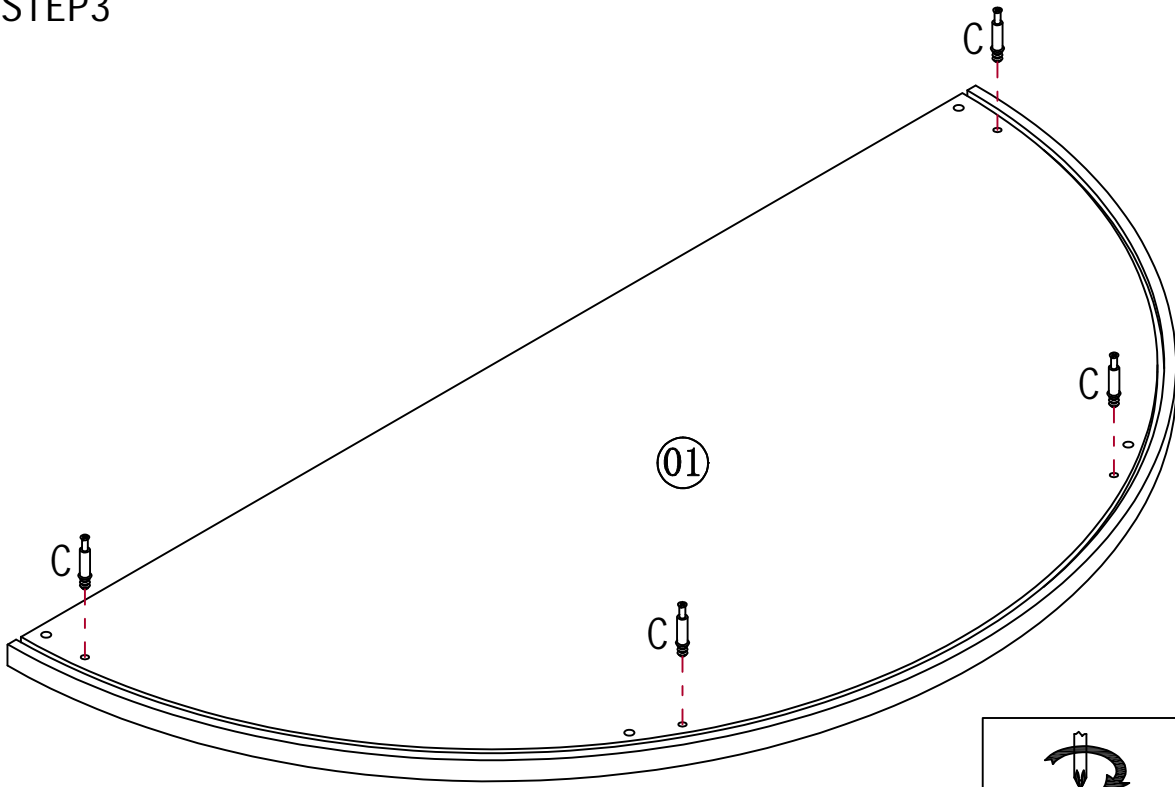
STEP2




	A*4PCS
	D*4PCS

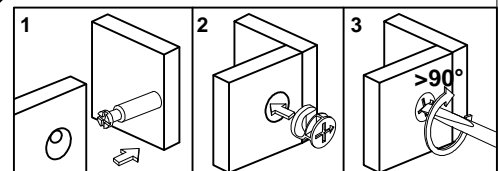
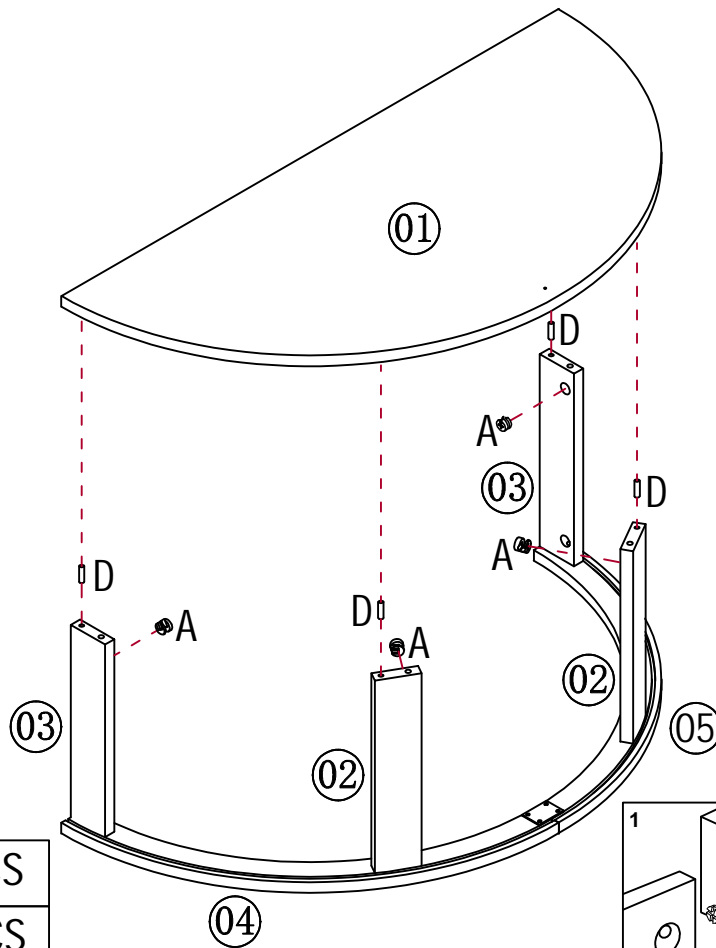




STEP3



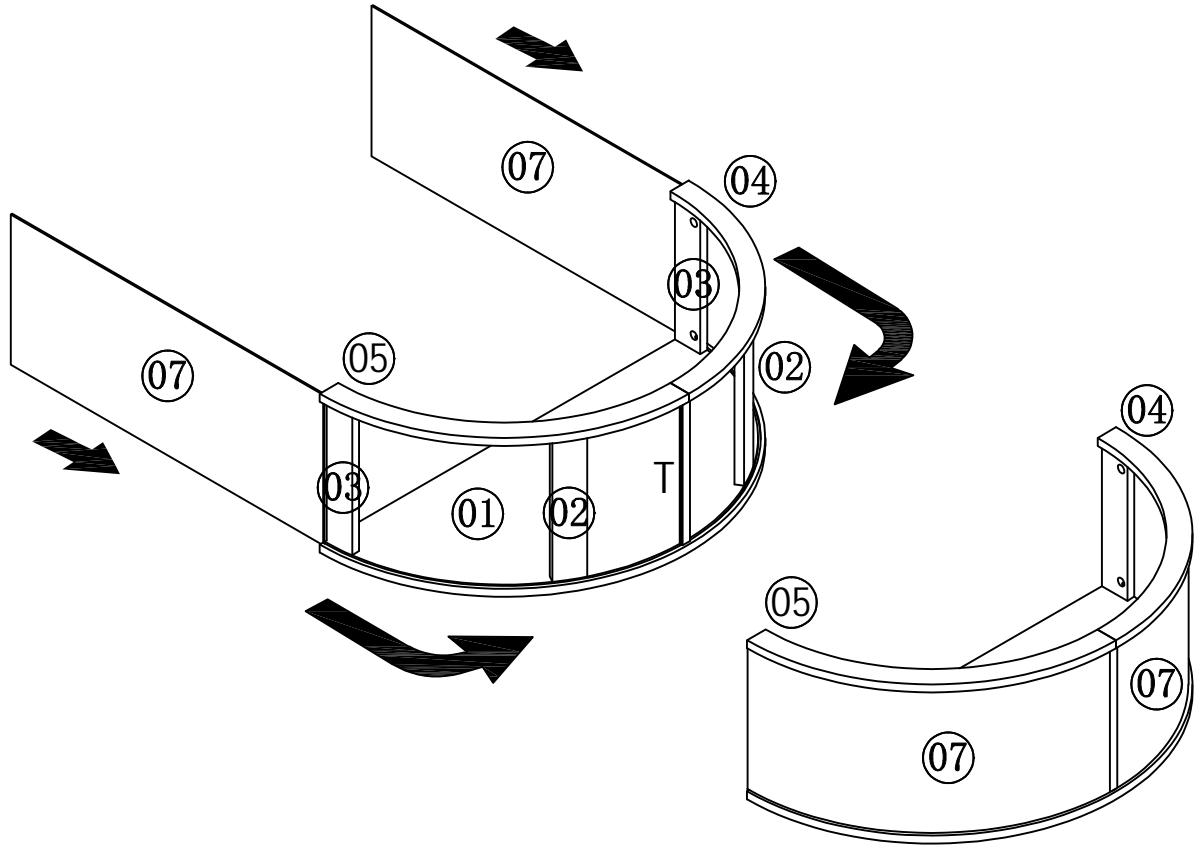
	C*4PCS
---	--------

STEP4



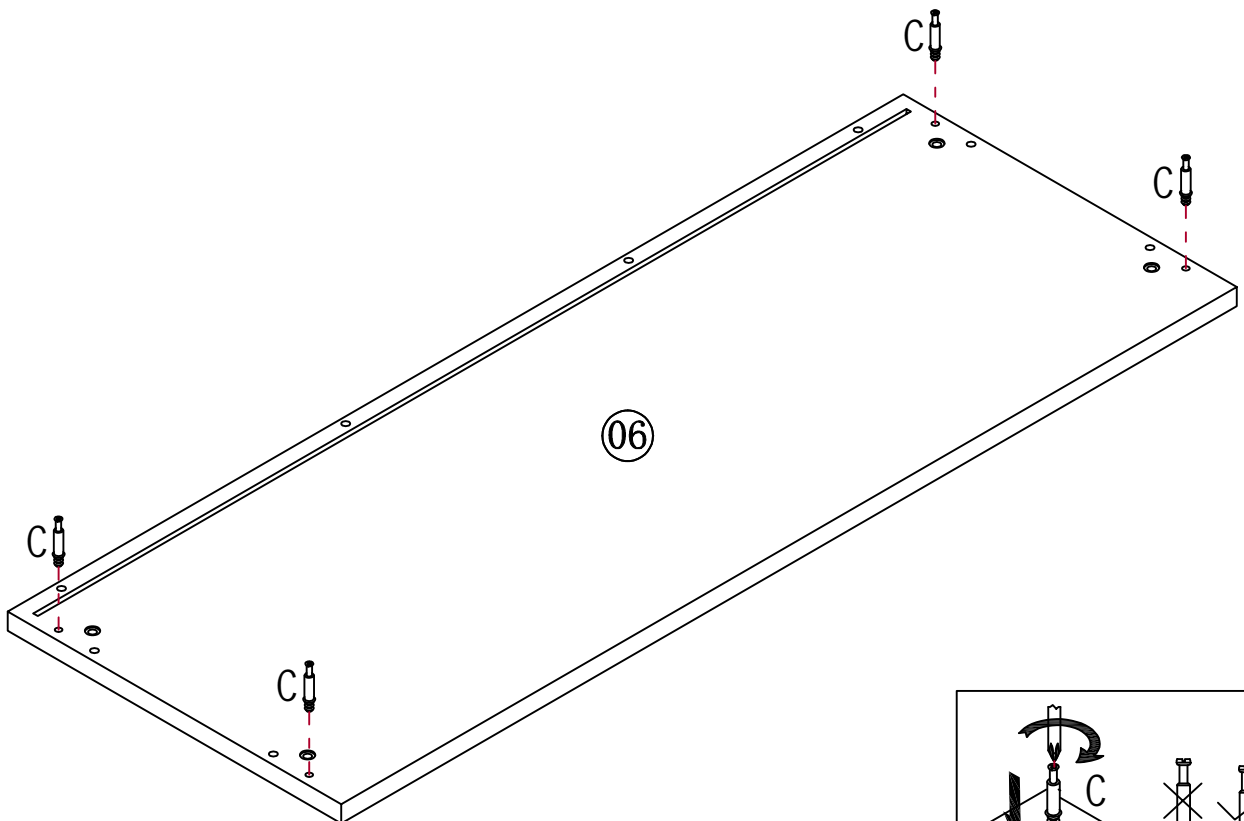
	A*4PCS
	D*4PCS

STEP5



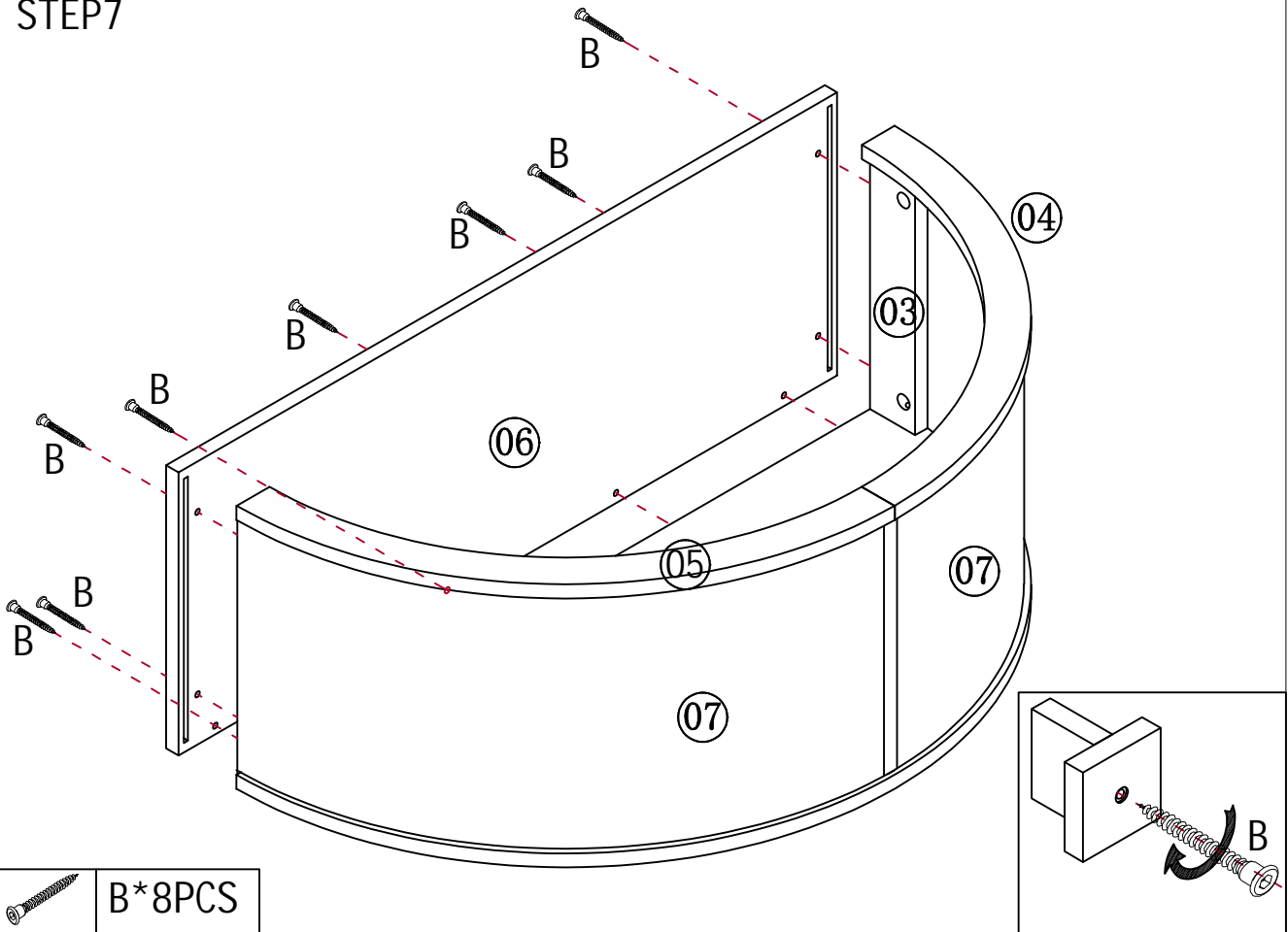
T*1PC

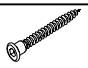
STEP6



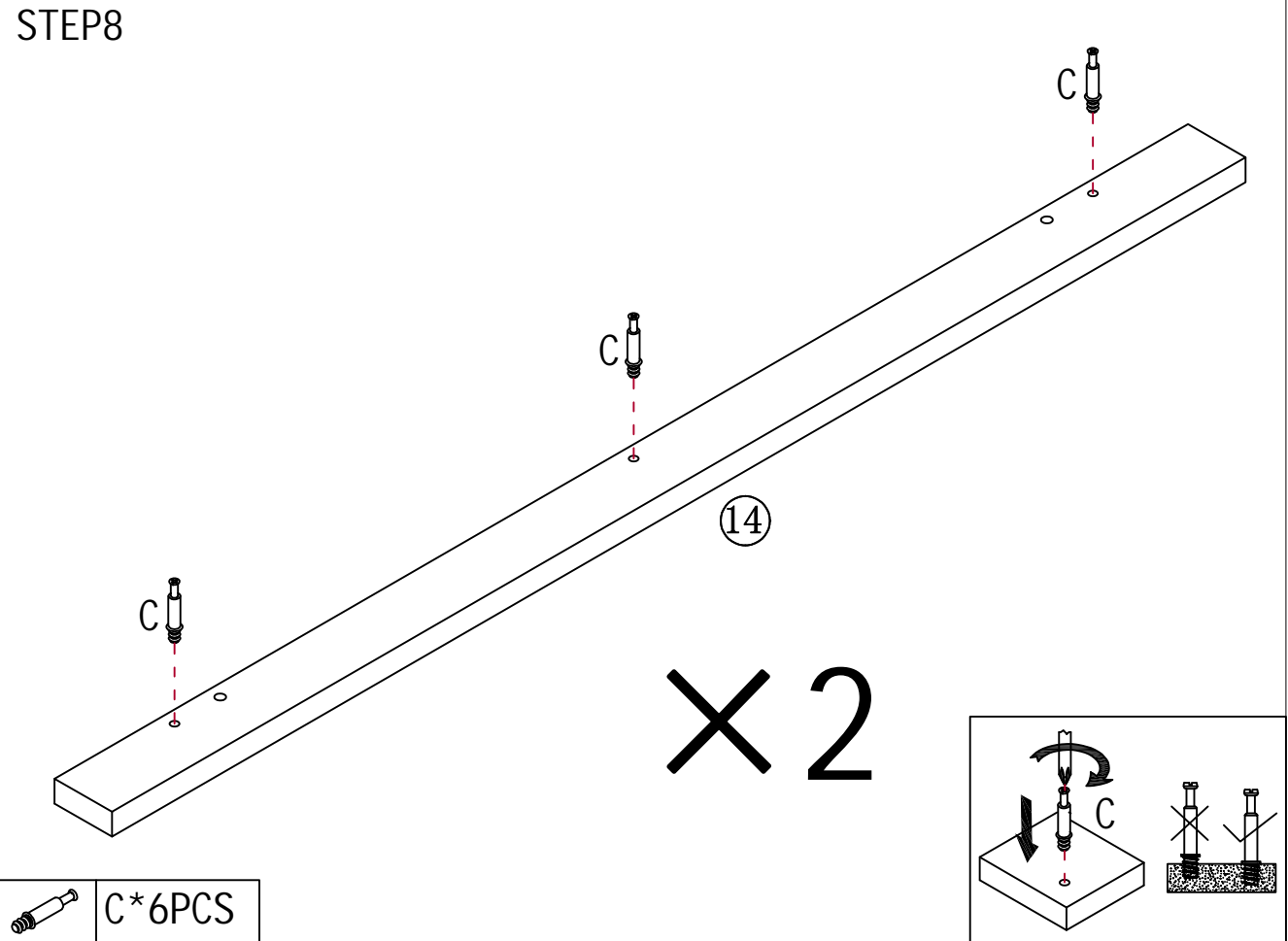
C*4PCS

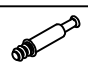
STEP7



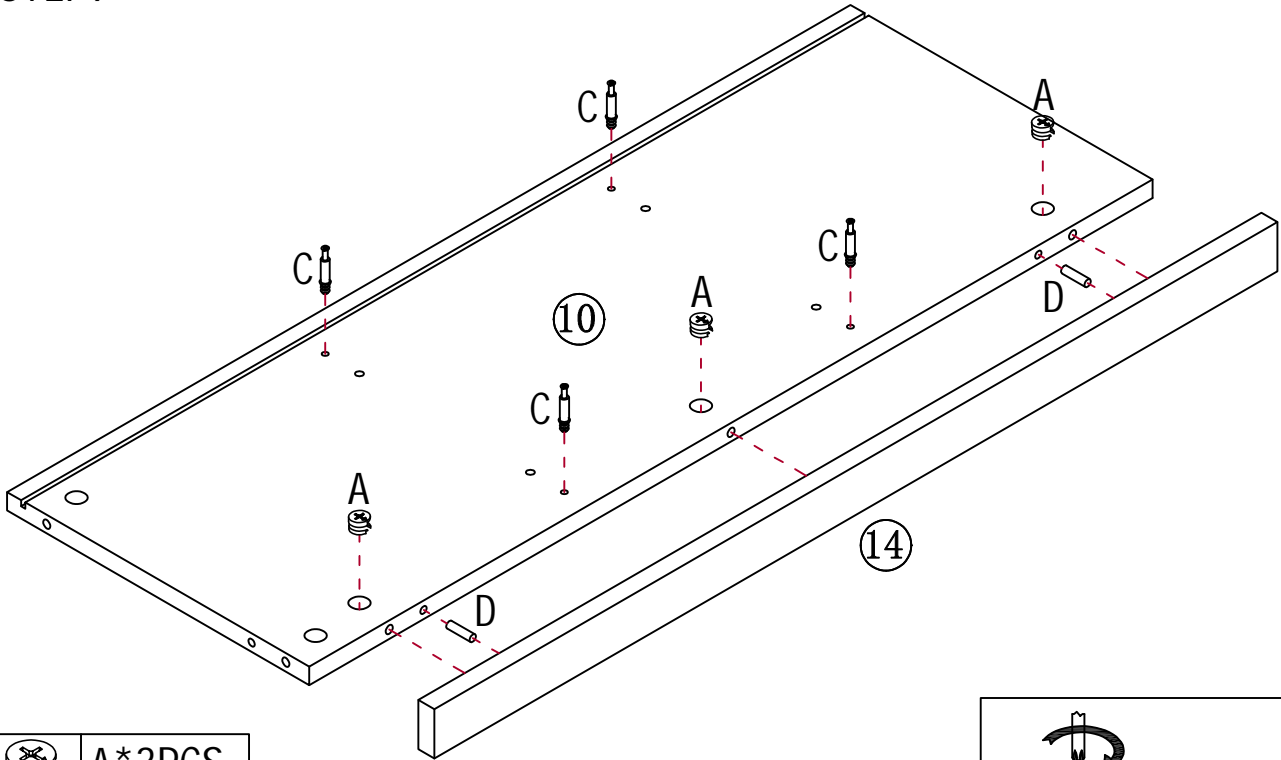
 B*8PCS




STEP8

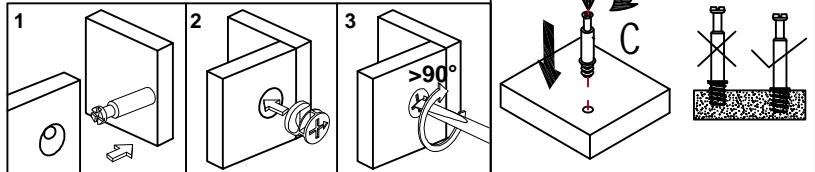


 C*6PCS

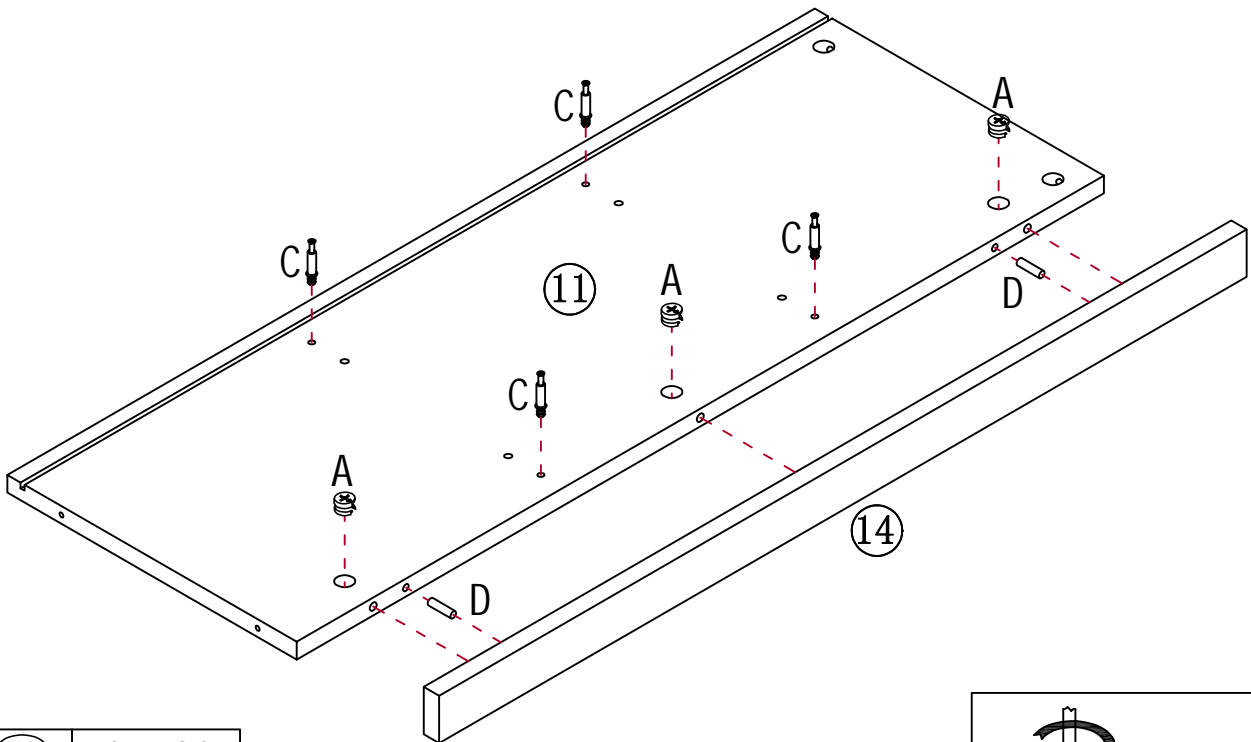
STEP9






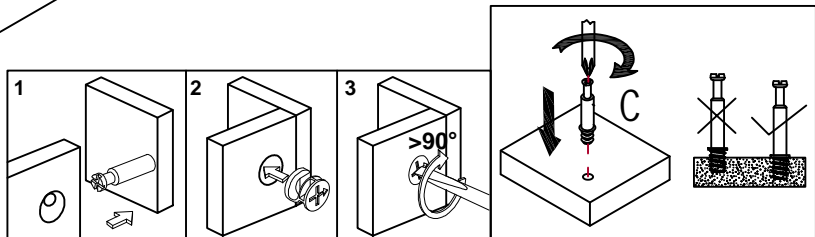
	A*3PCS
	C*4PCS
	D*2PCS



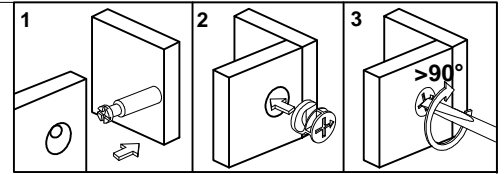
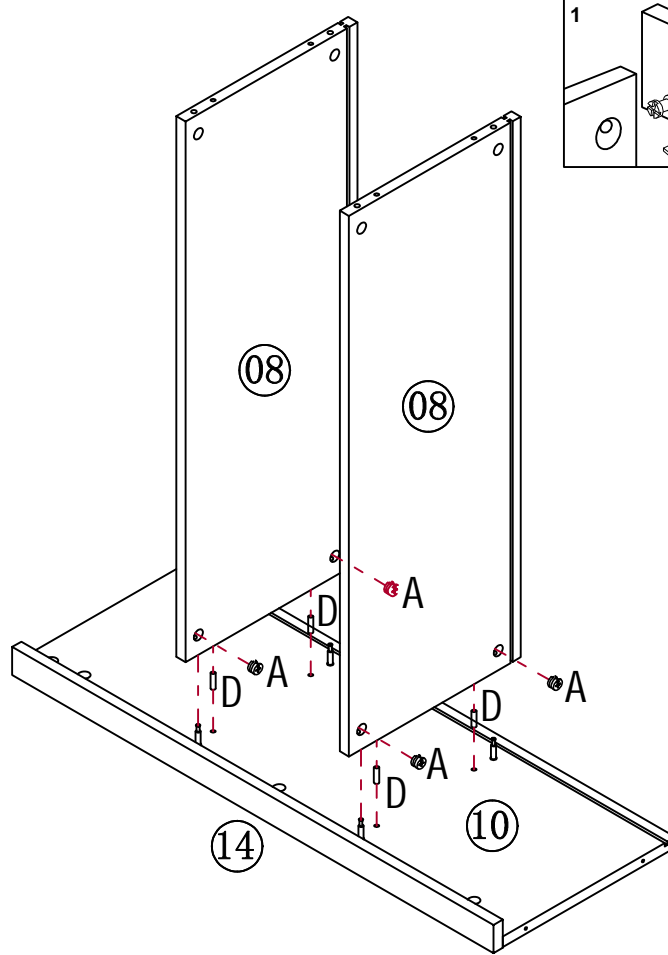
STEP10





	A*3PCS
	C*4PCS
	D*2PCS

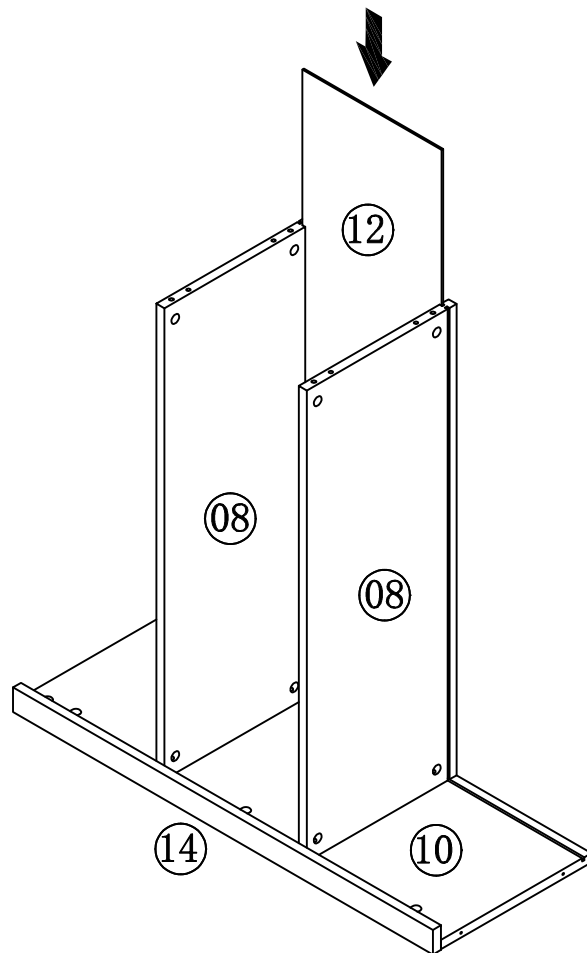


STEP11

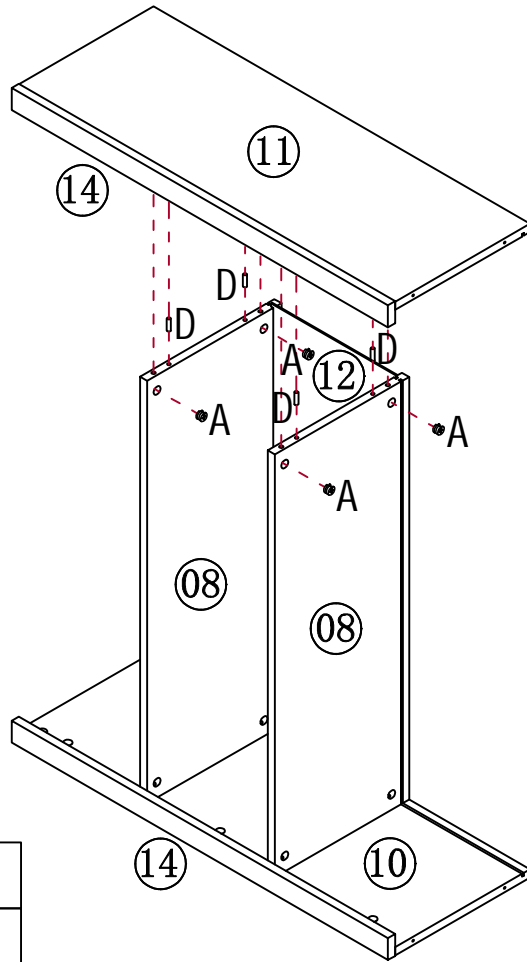




	A*4PCS
	D*4PCS

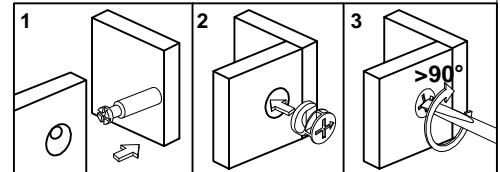
STEP12



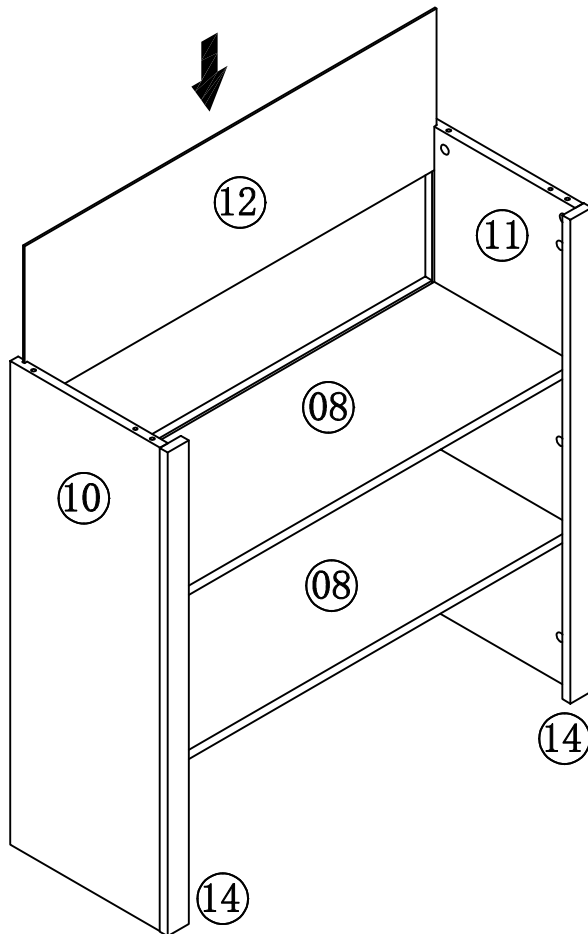
STEP13



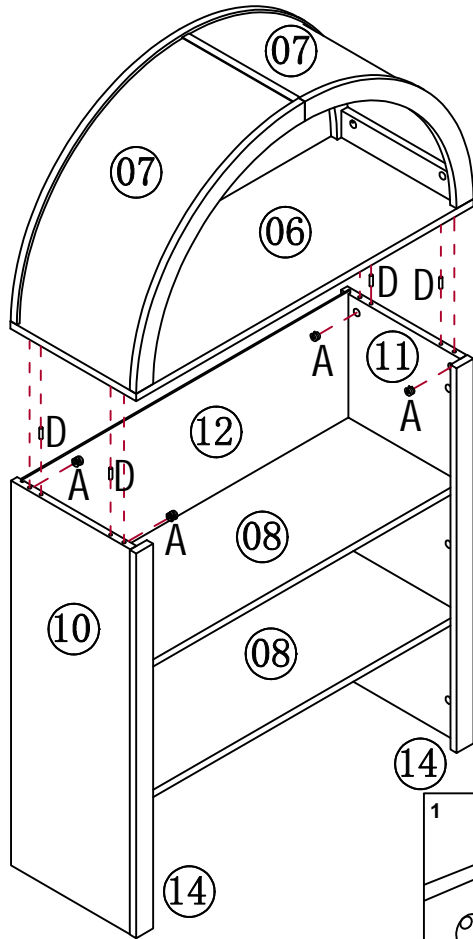
	A*4PCS
	D*4PCS



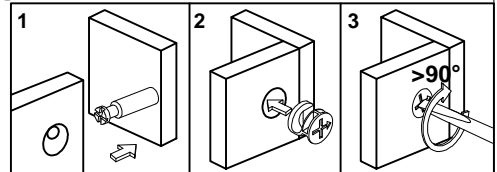
STEP14



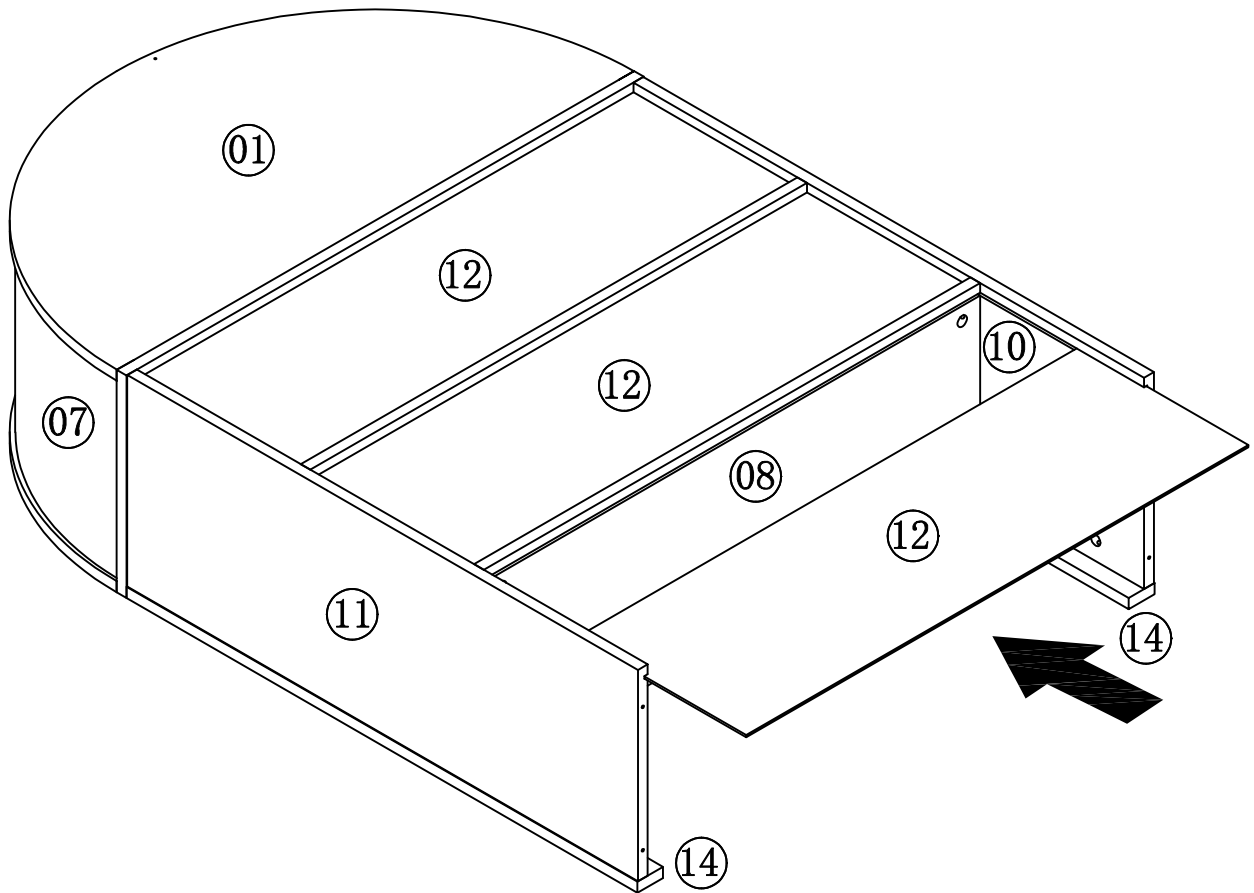
STEP15



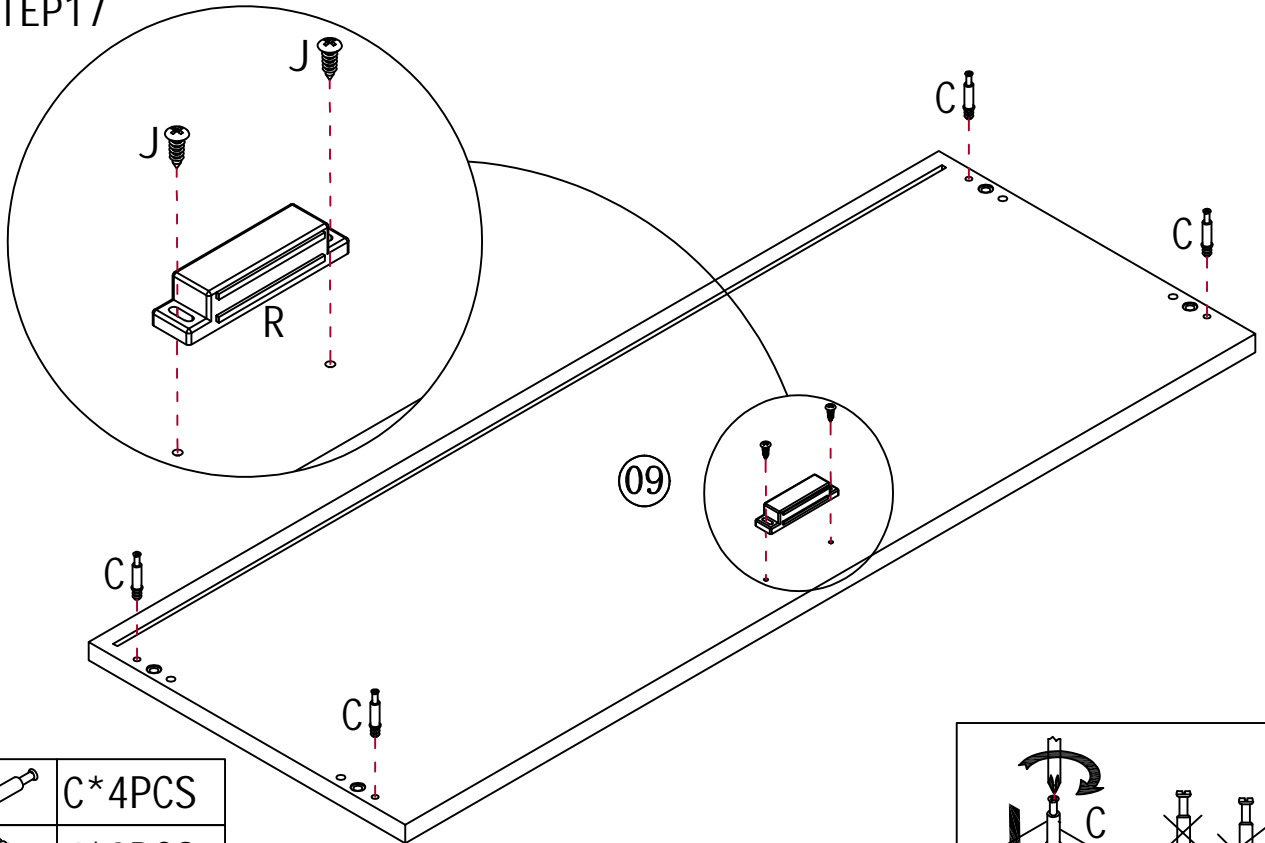
	A*4PCS
	D*4PCS






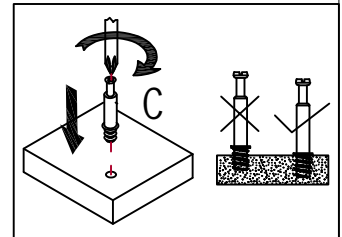
STEP16



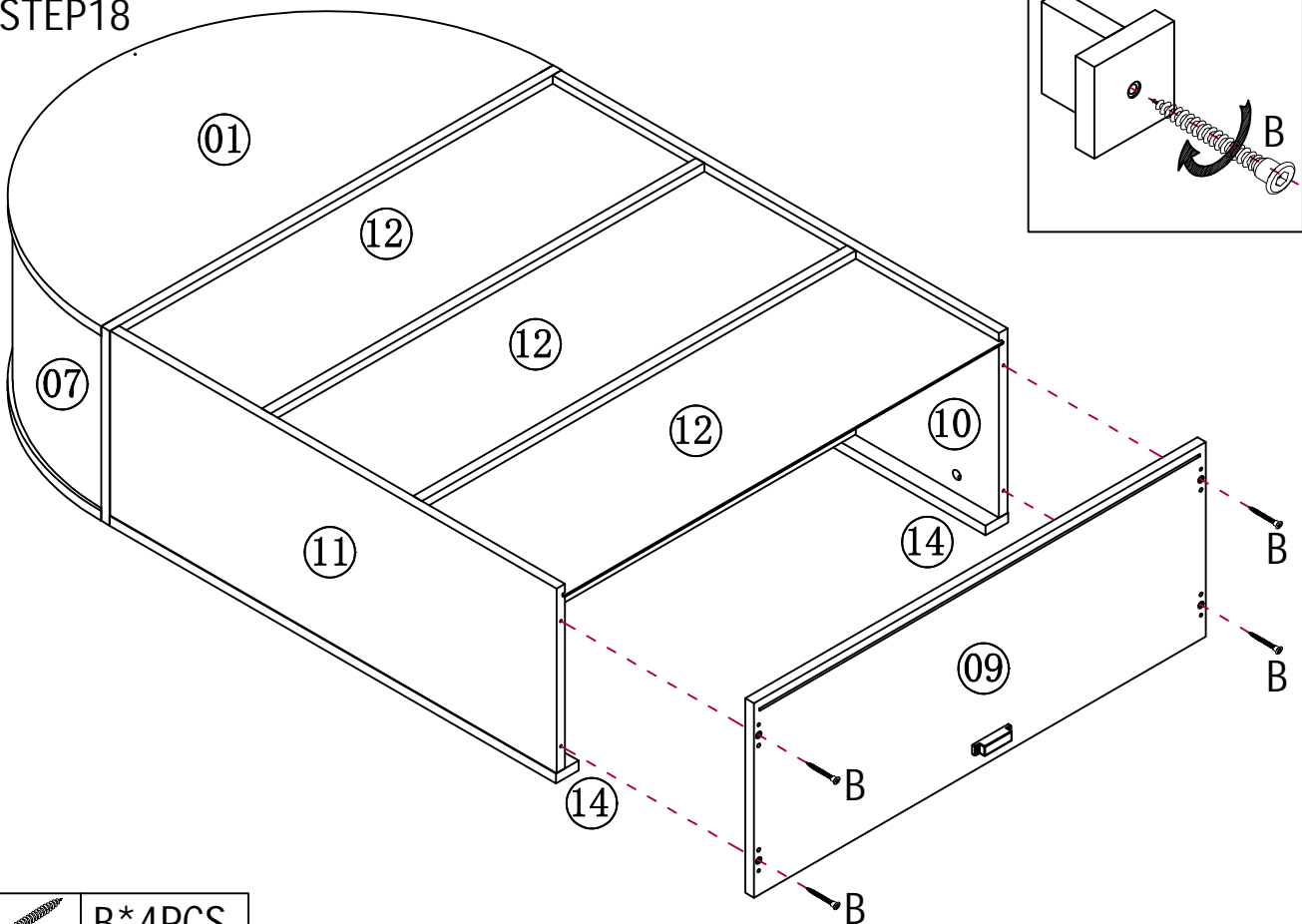
STEP17




	C*4PCS
	J*2PCS
	R*1PC

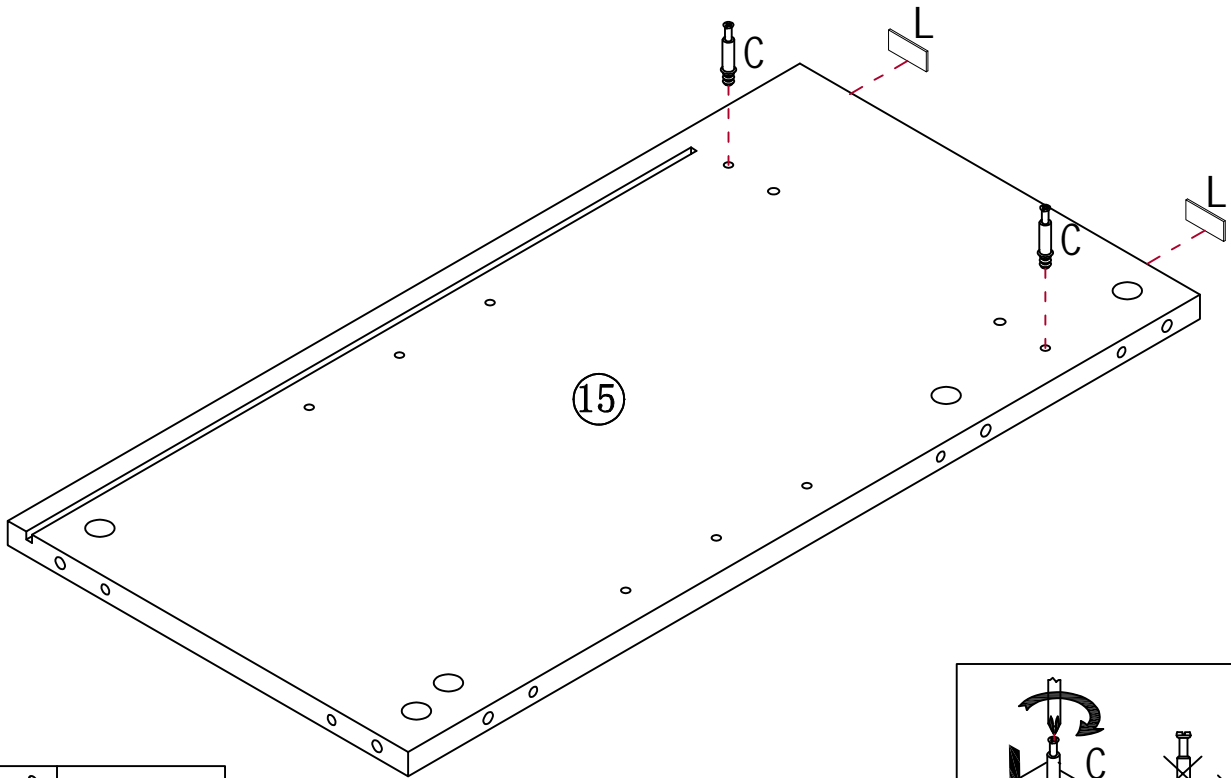




STEP18

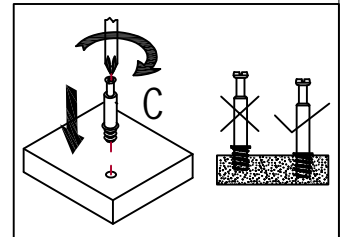


	B*4PCS
---	--------

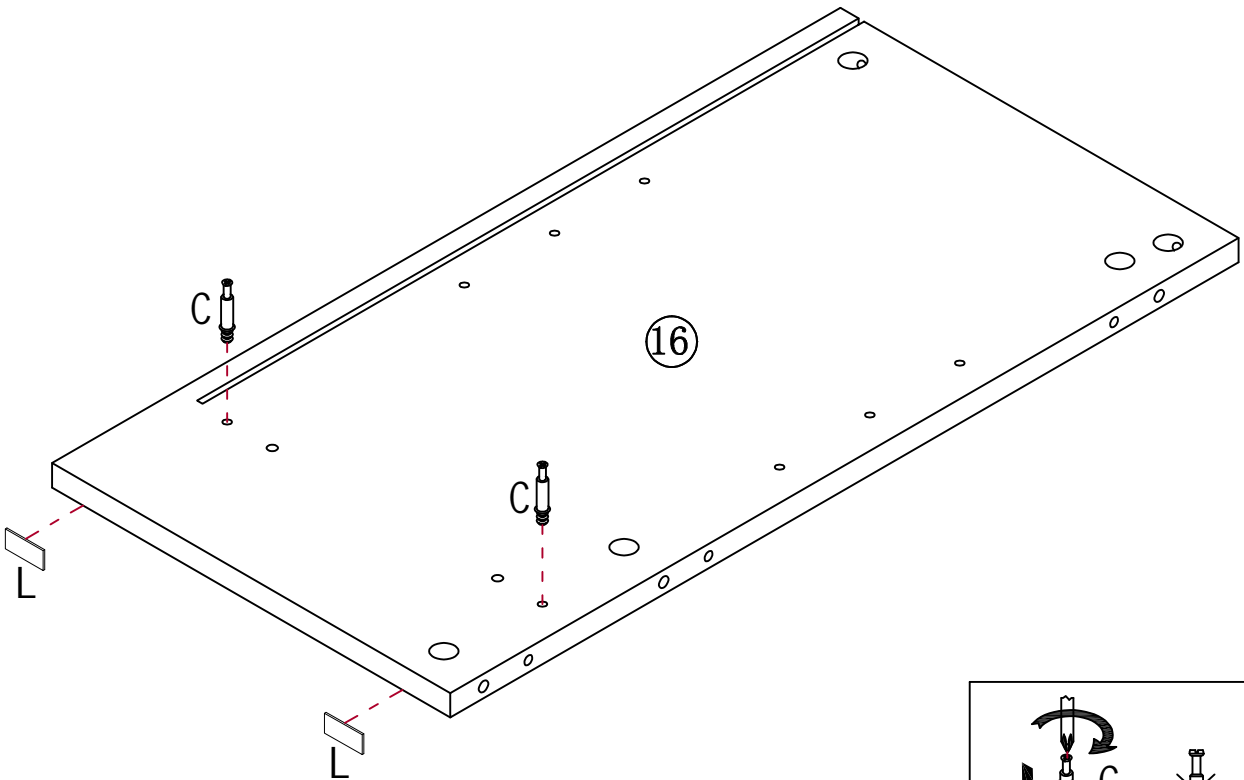
STEP19


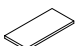


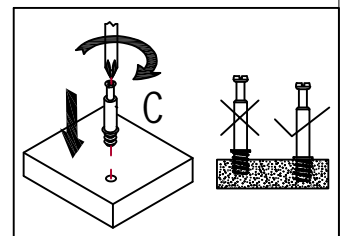
	C*2PCS
	L*2PCS



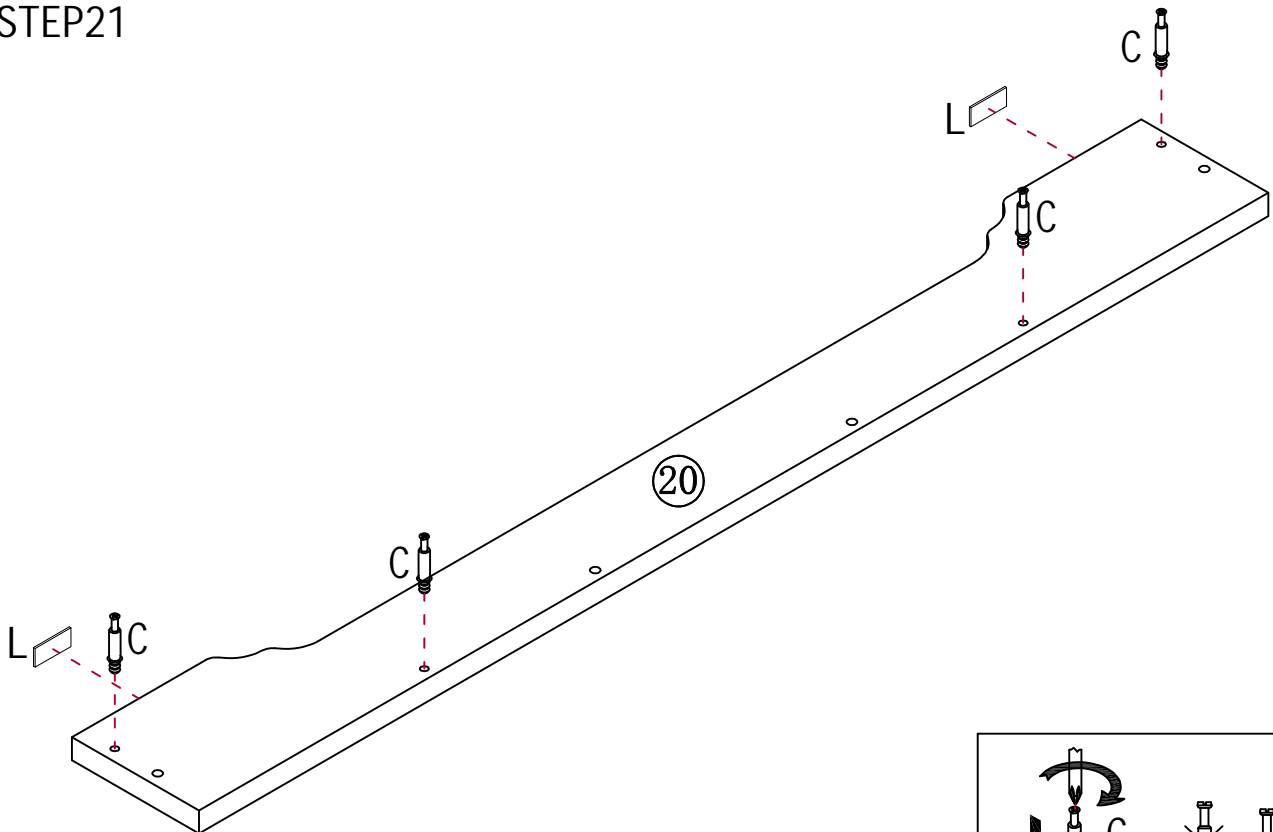
STEP20


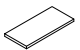


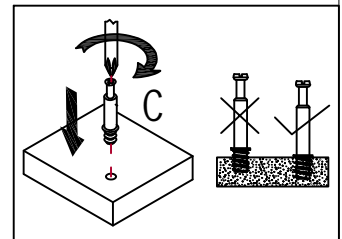
	C*2PCS
	L*2PCS



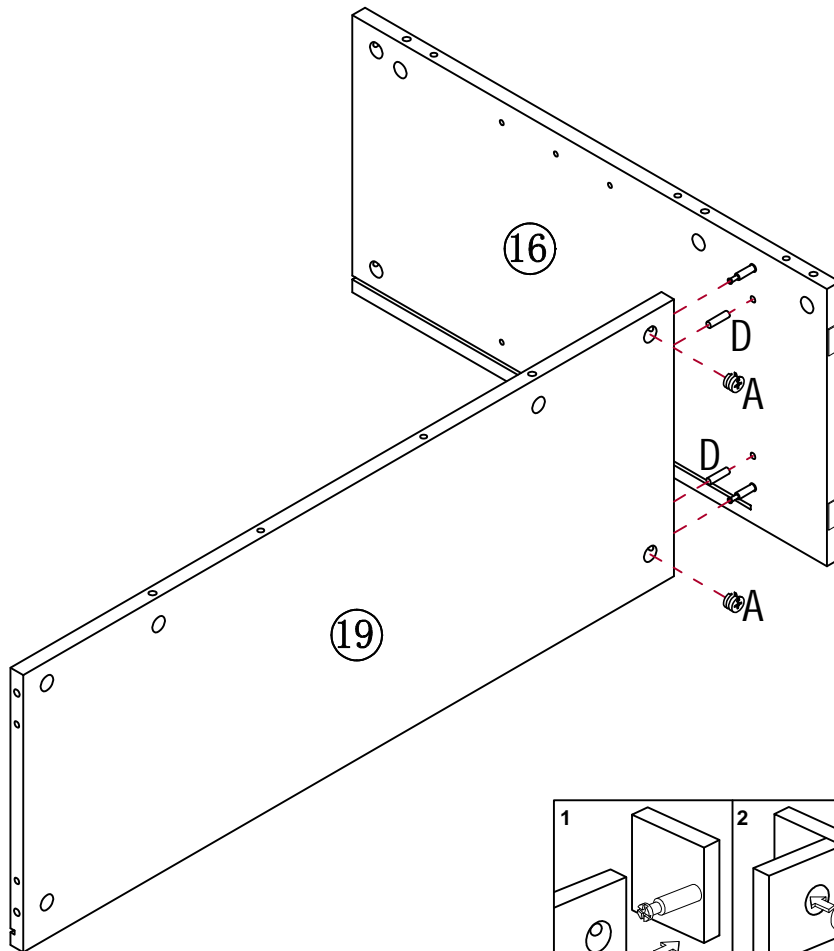
STEP21





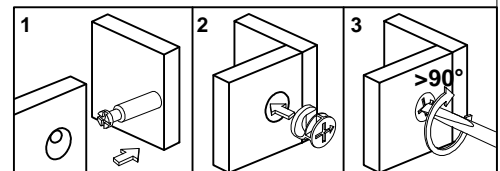
	C*4PCS
	L*2PCS



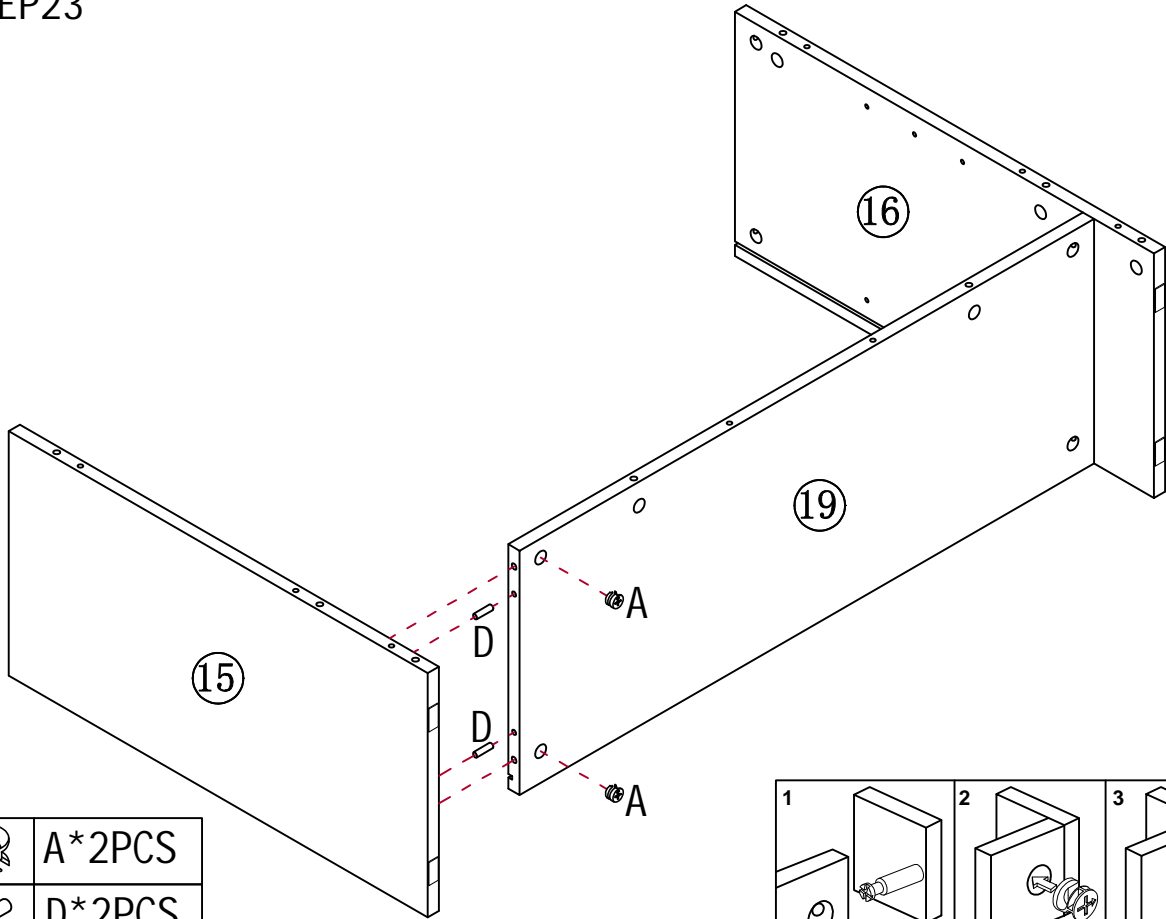
STEP22





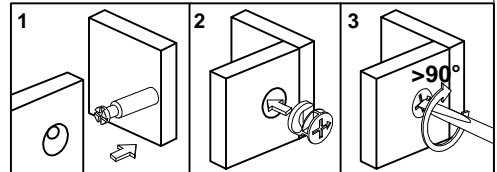
	A*2PCS
	D*2PCS



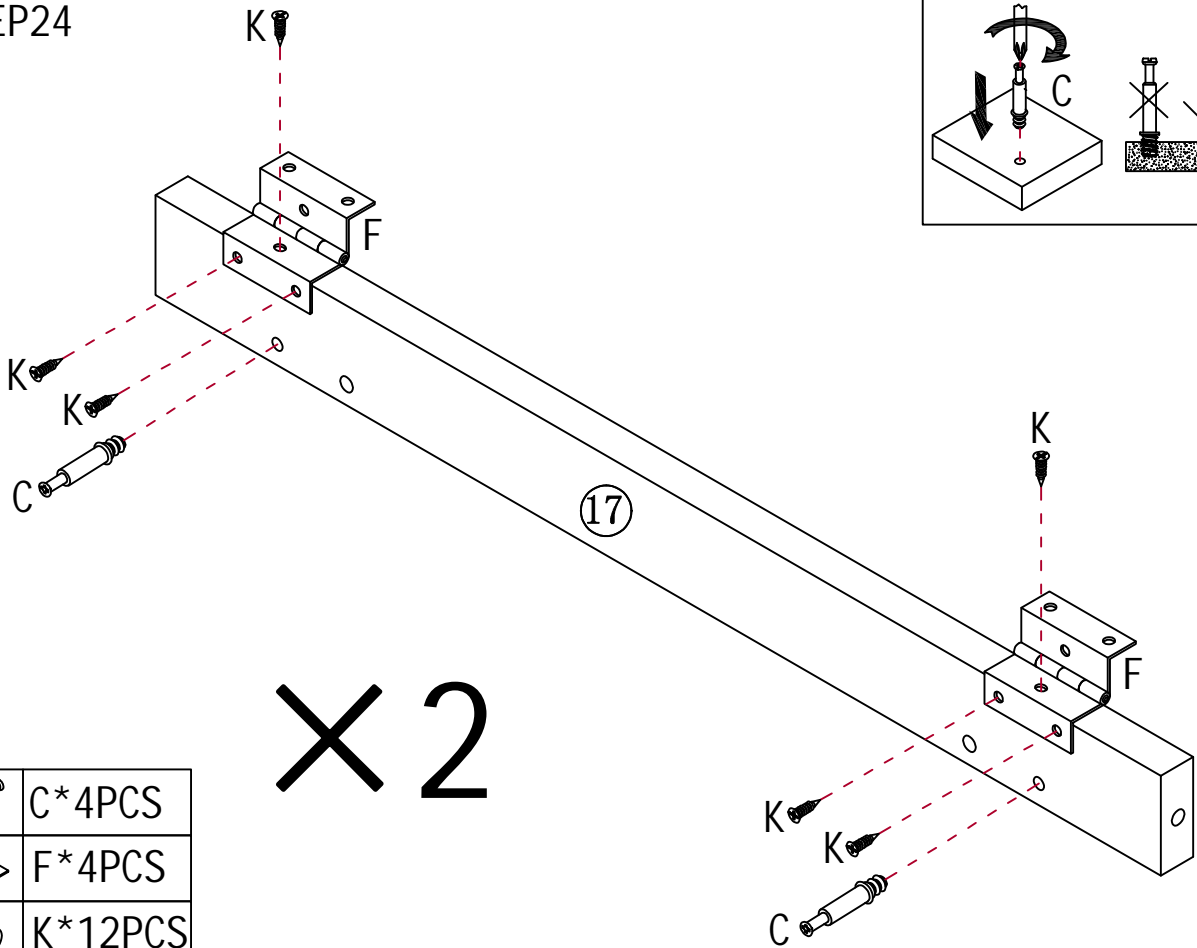
STEP23






	A*2PCS
	D*2PCS

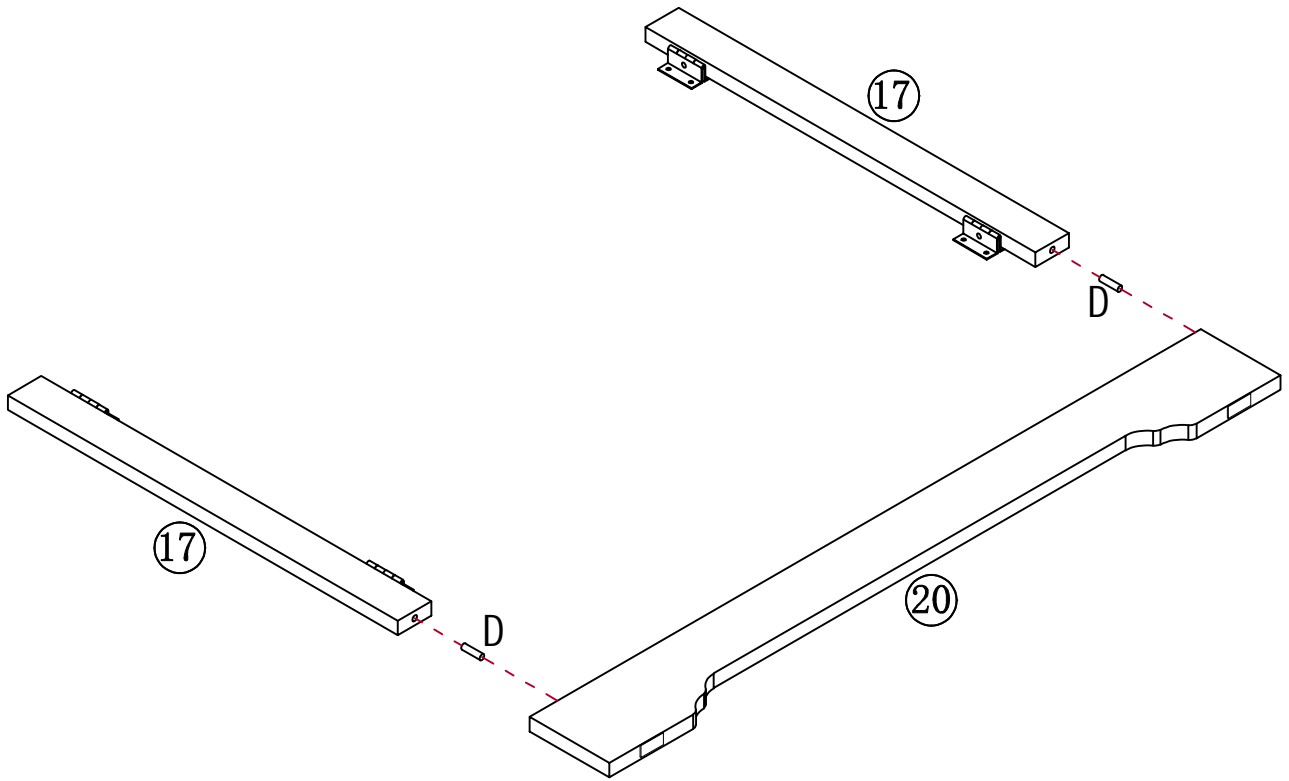



STEP24



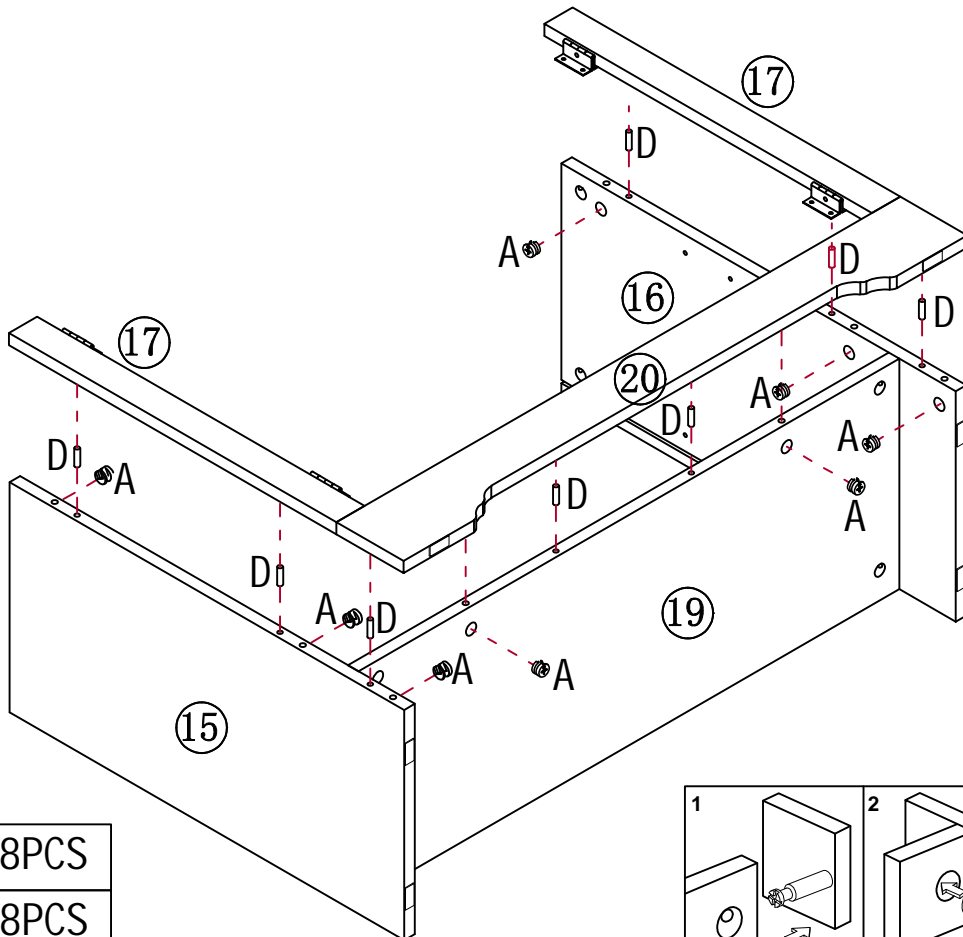
	C*4PCS
	F*4PCS
	K*12PCS



STEP25

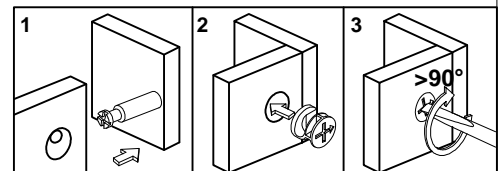


	D*2PCS
---	--------

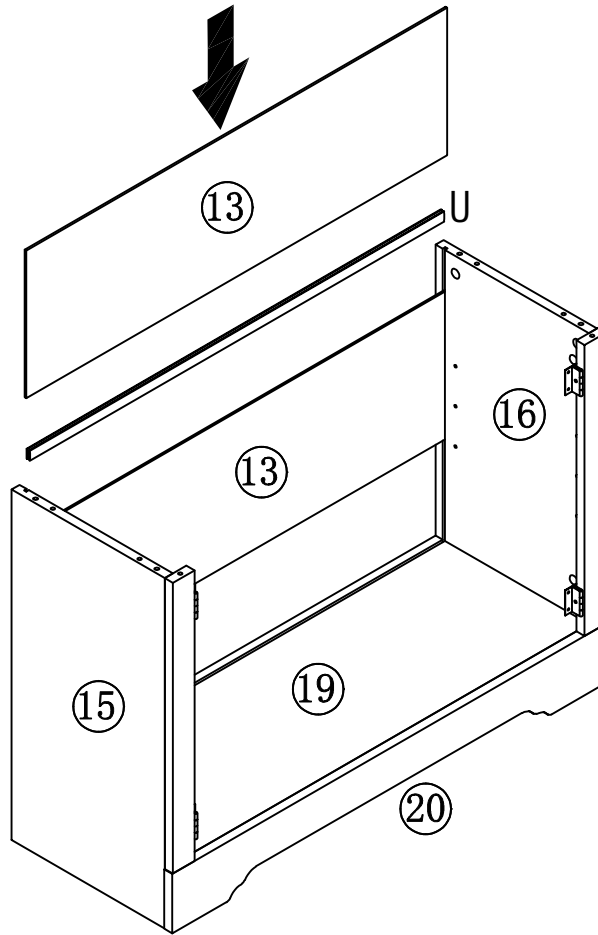
STEP26



	A*8PCS
	D*8PCS

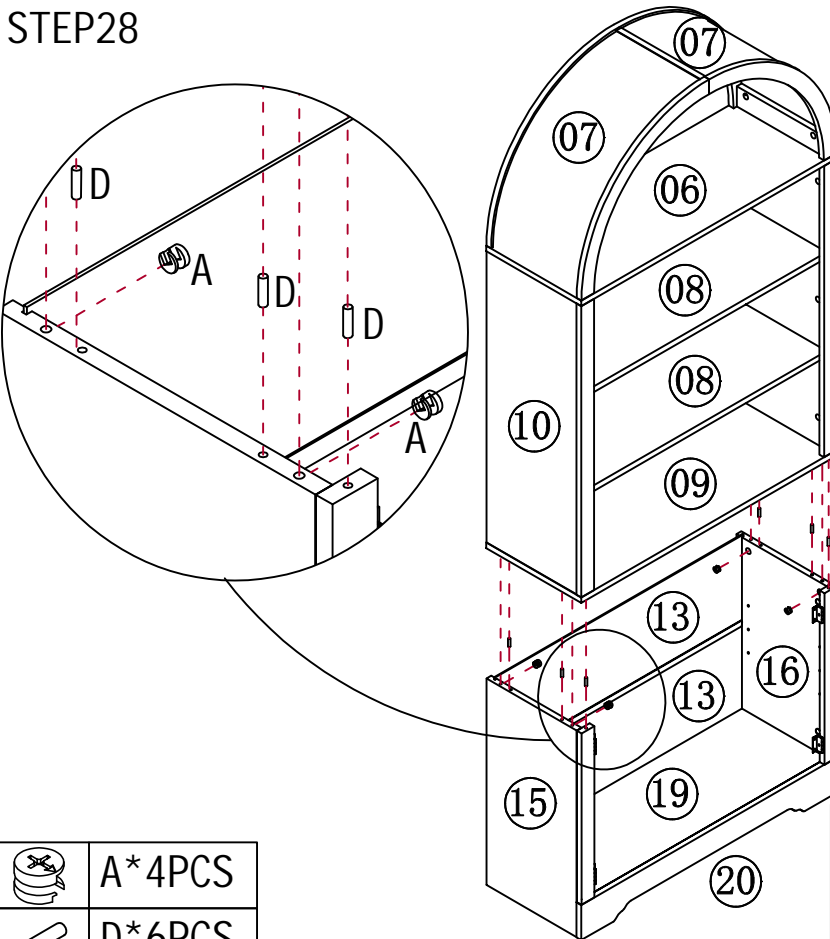


STEP27



U*1PC

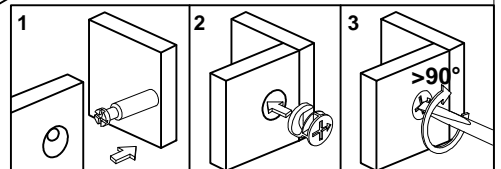
STEP28



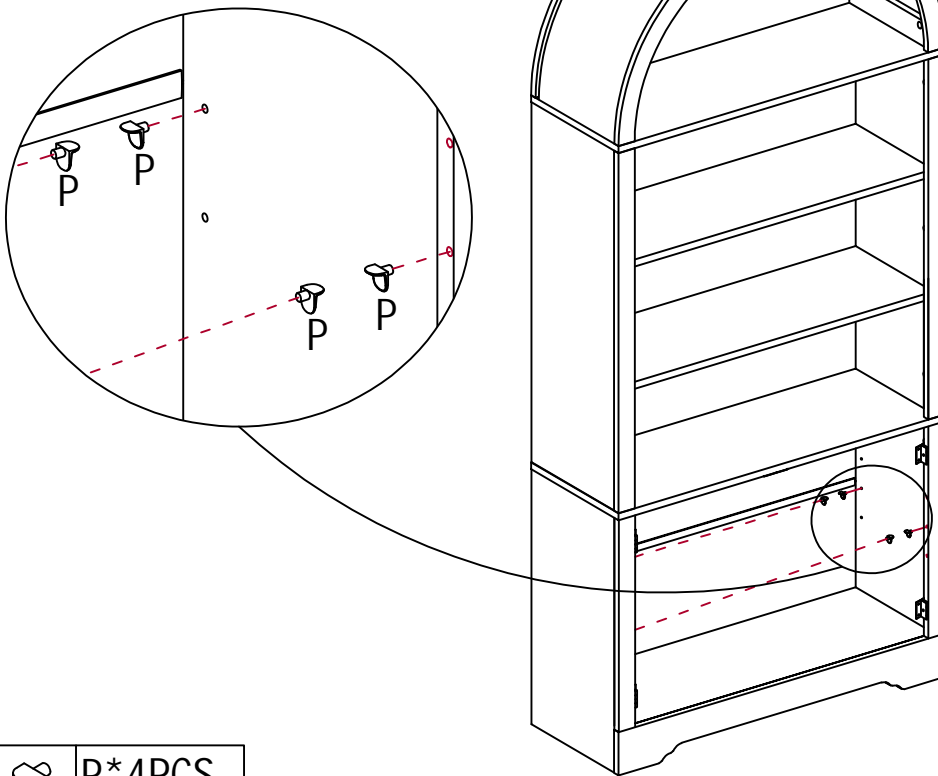
A*4PCS



D*6PCS

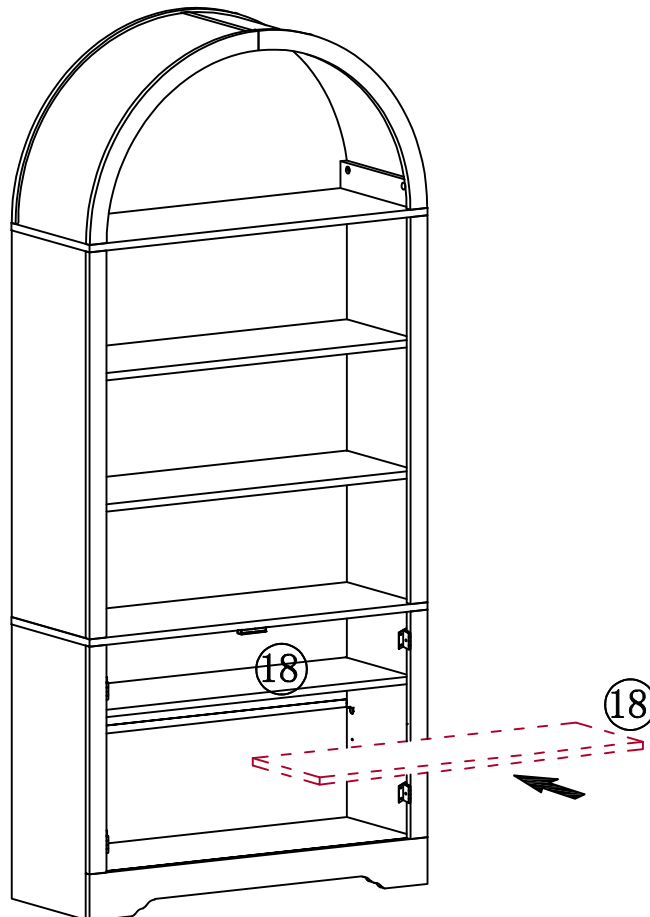


STEP29



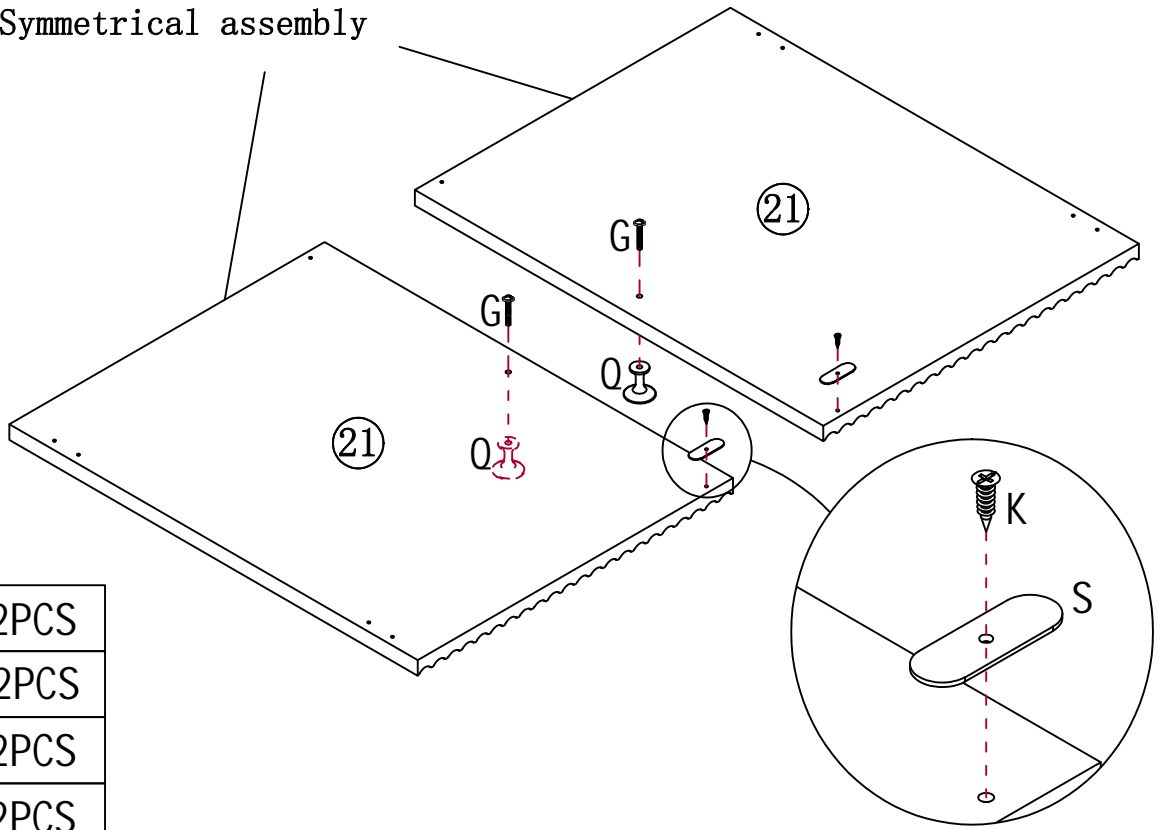
P*4PCS





STEP30



STEP31

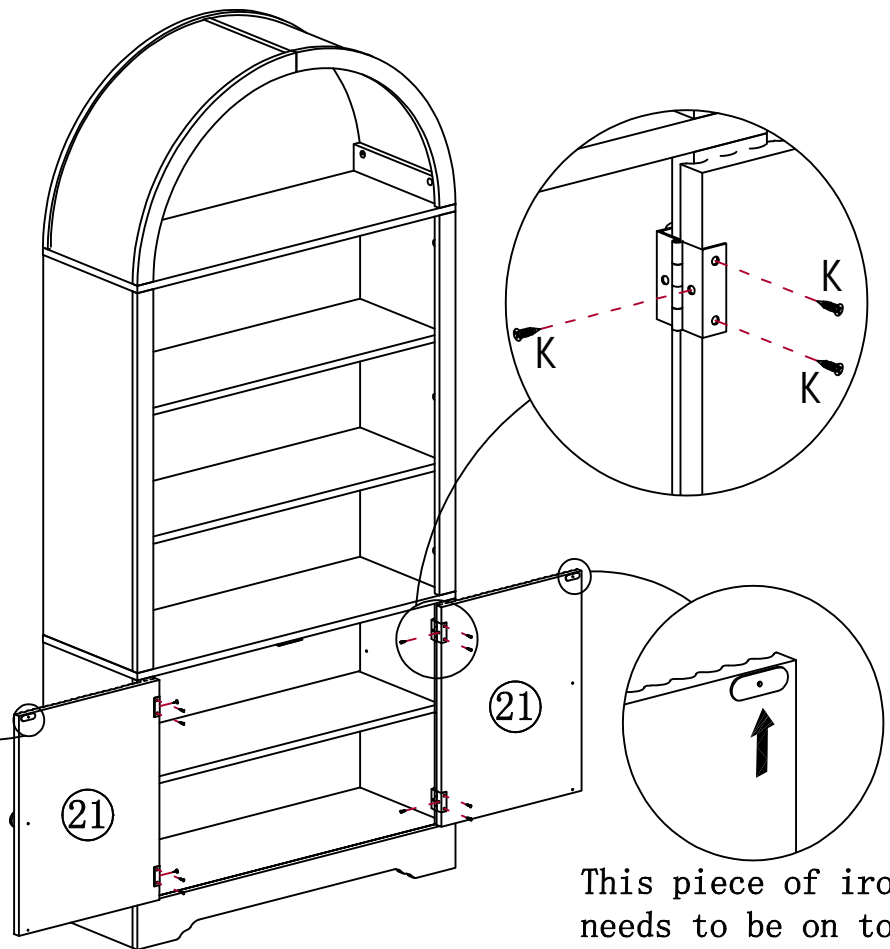
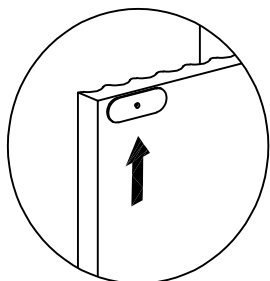
Symmetrical assembly




	G*2PCS
	K*2PCS
	Q*2PCS
	S*2PCS

STEP32

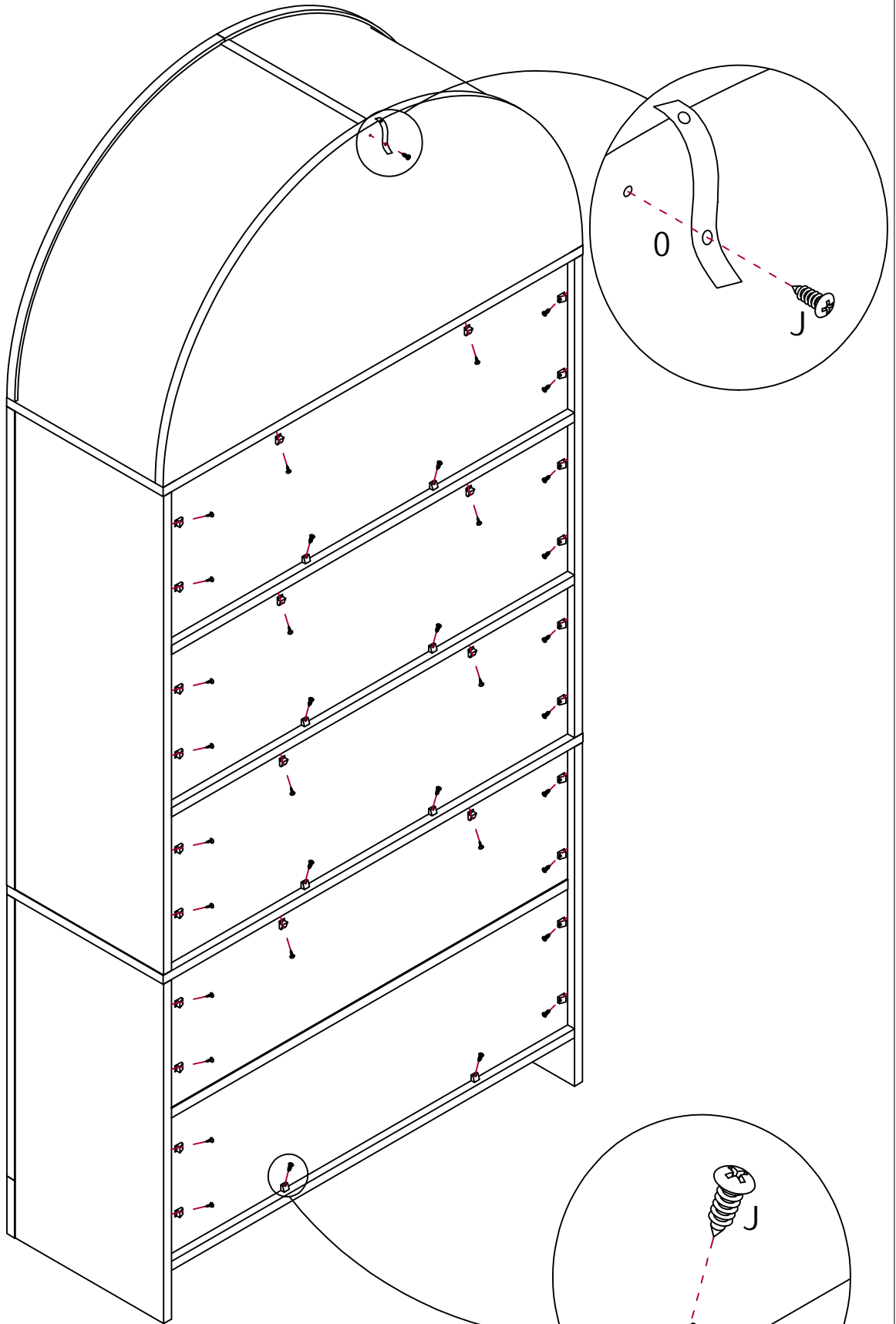
This piece of iron needs to be on top






This piece of iron needs to be on top

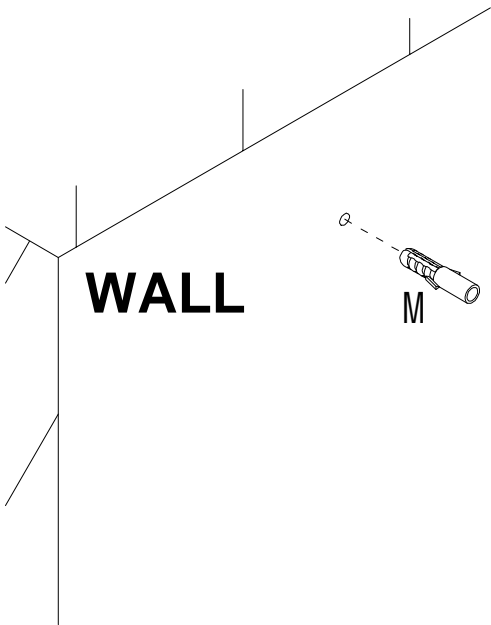
	K*12PCS
---	---------

STEP33



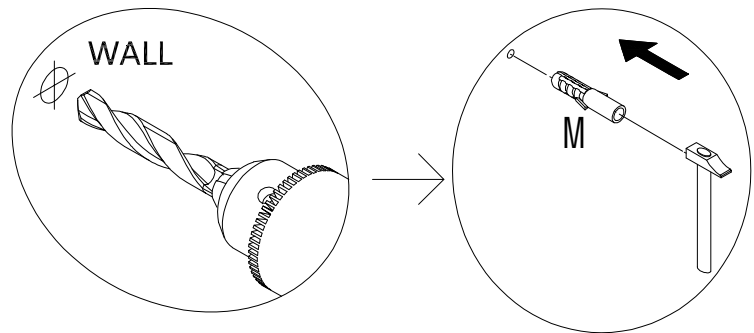
	H*36PCS
	J*37PCS
	O*1PC

STEP35



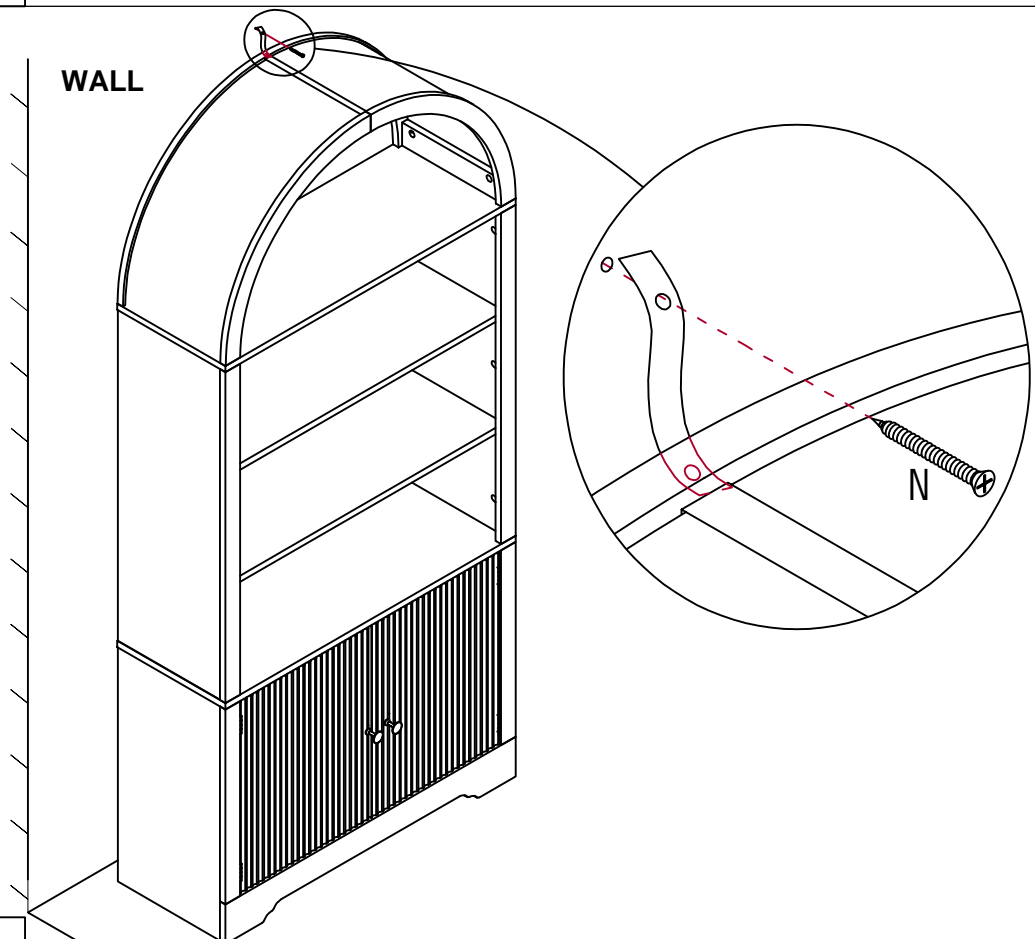
EN: Drill a hole on the wall at the required position for anti-falling device installation.

DE: Bohren Sie ein Loch an der gewünschten Position in die Wand, um die Absturzsicherung zu installieren



M*1PC

STEP36



N*1PC