

Assembly Instructions

Caution : You must read this before you proceed

Care & Maintenance



- Not for commercial use. For residential use only.



- Furniture may scratch floors. We recommend using furniture pads to protect your floors.



- Do not put hot items directly on furniture surface.



- Do not clean furniture with harsh cleansers or polish.



- Do not place furniture under direct sunlight.



- Do not place furniture near heating or cooling vents.



- Do not write on furniture without a padded barrier to protect the surface.



- Do not place furniture outside . For indoor use only.



- Stains may be removed with mild soap solution and damp cloth.



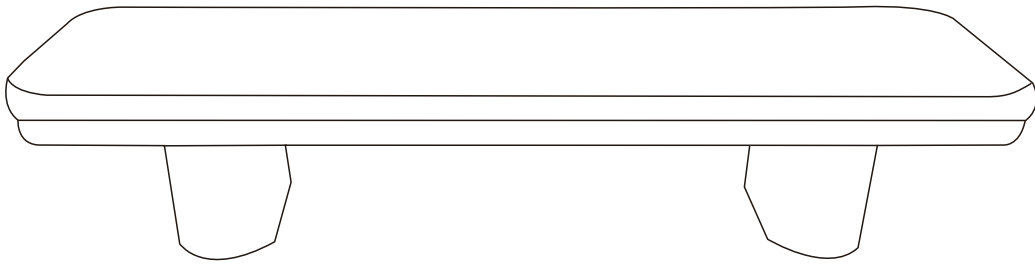
- Children should not climb or jump on the furniture.



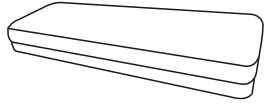
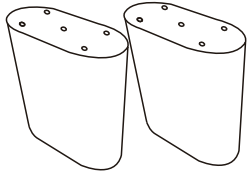
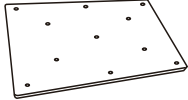
- Dust and pick-up spills using a clean, non-colored, lint-free cloth.

Please look in cardboard box for hardware packs and legs.




Ottoman



Parts List

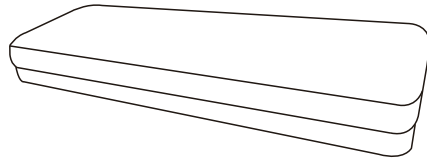
Label	Picture	Description	QTY
A		Ottoman Body	1
B		Ottoman Legs	2
C		Ottoman Seat	2

Headware

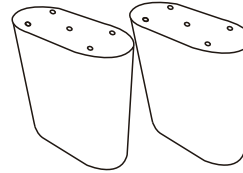
Label	Picture	Description	QTY
①		Screw (M6*30)	23
②		Flat Washer	13
③		Allen Wrench	1

Assembly Preparation

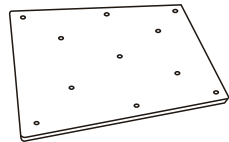
Before
Beginning
Assembly:



A



B



C



① x23



② x13



③ x1



- Read instructions, cover to cover-



- Have 2 adults on hand for assembly-



- Do not assemble on flooring or carpet-



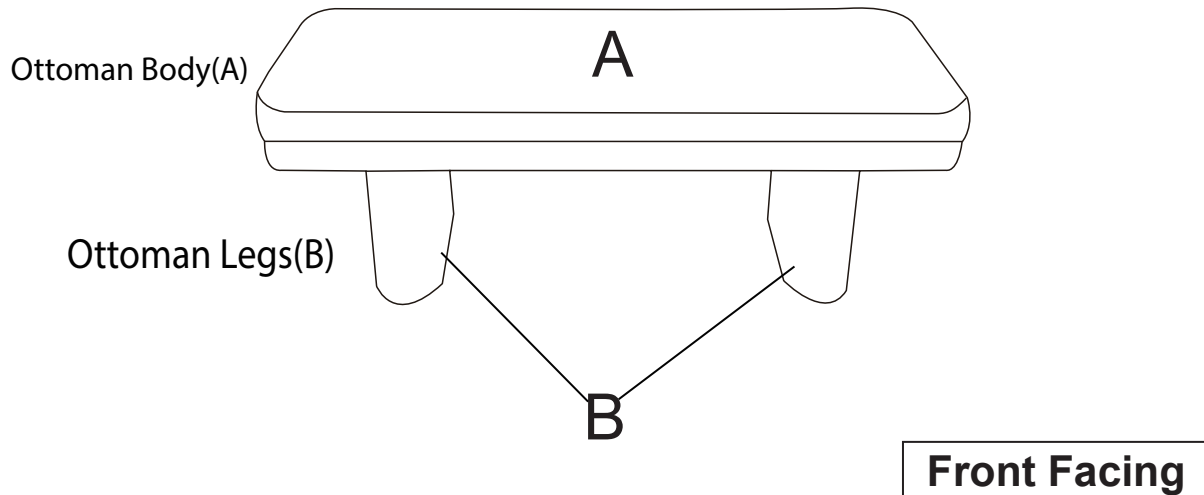
- Assemble on a clean non-marring surface (packing foam)-



- Save all packaging until finished

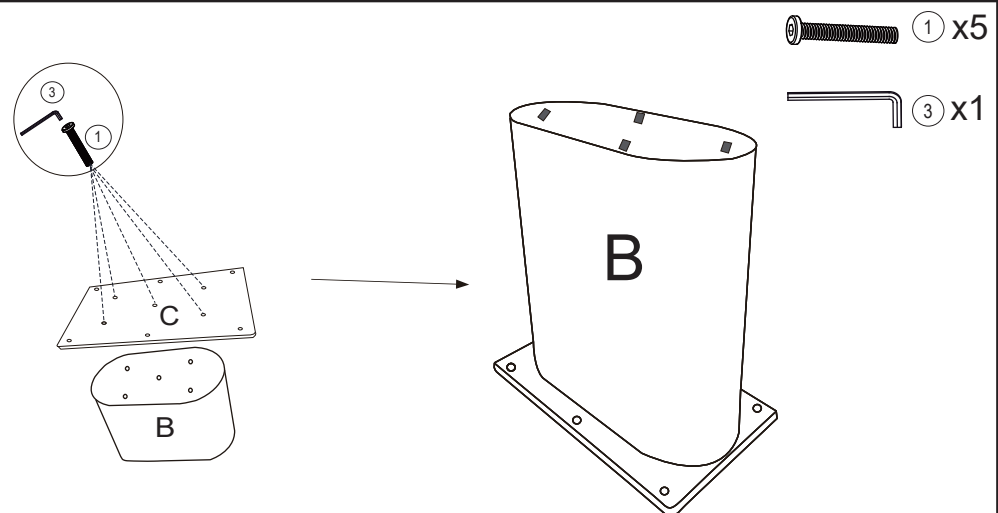
Assembly Steps

Overview



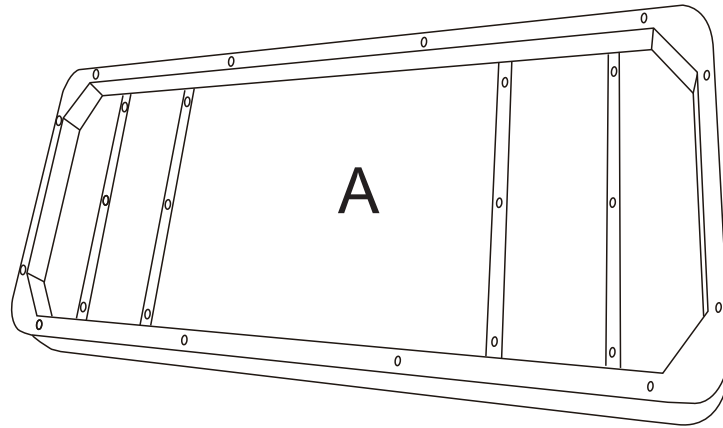
This ottoman has multiple parts and may require up to 10 minutes to assemble. To give you an overview of the ottoman parts, the above picture is to help you put the various parts into perspective. Please read through the instructions below to familiarise yourself with the parts and steps before assembly.

Step 1



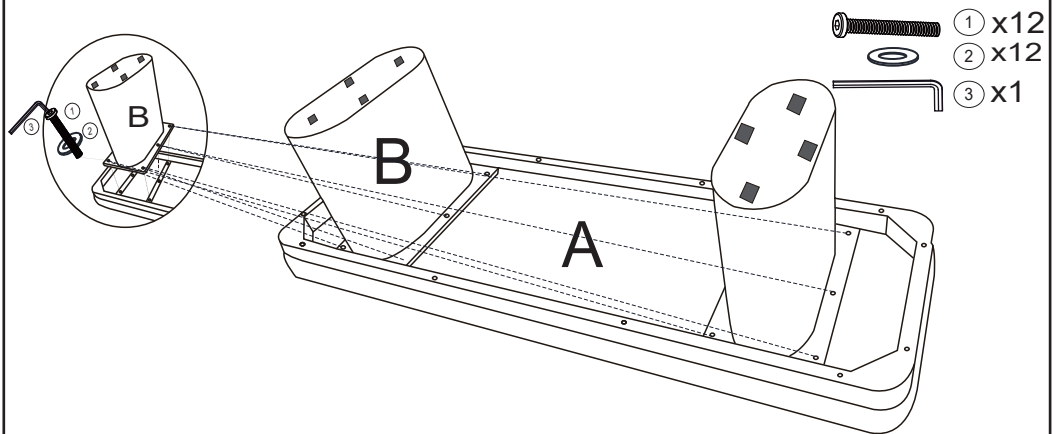
Align the ottoman leg(B) with the holes in the ottoman seat(C) as shown in the diagram, Install the screws(①) and then tighten them. Then just flip it over so it matches the illustration.

Step 2



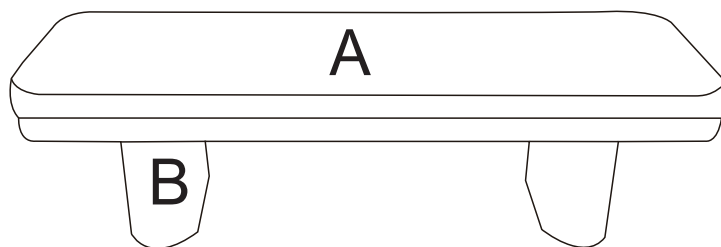
Place the ottoman body(A) upside down on a clean surface.

Step 3



Align the holes of the ottoman body(A) according to Steps 1-2, install the screws(①) and flat washers (②) , then tighten them.

Finished



Your ottoman is ready for use.

This ottoman can only used on a flat, level surface.