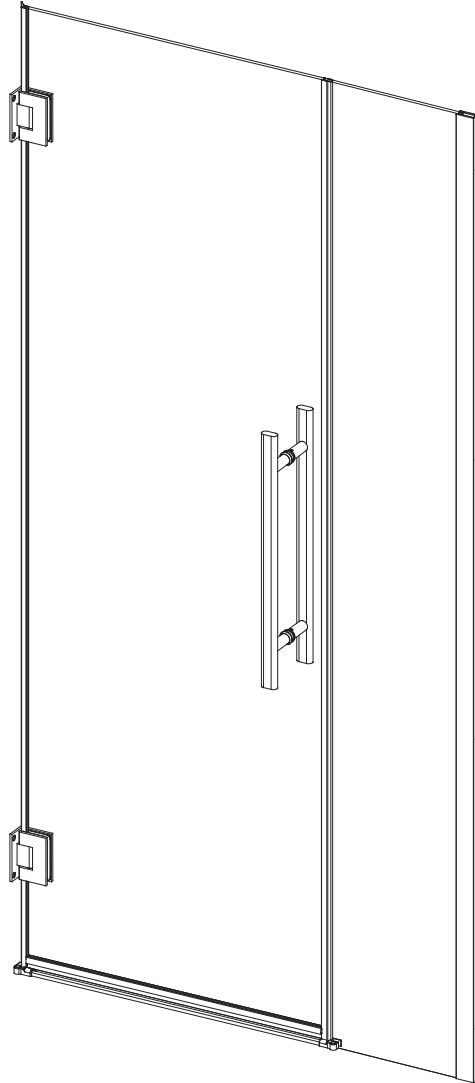


INSTALLATION INSTRUCTIONS

FOR SHOWER DOOR AND BATHTUB DOOR



TMW3472-CH/BN/MB

TMW3672-CH/BN/MB

FINISH :

CH-Chrome

BN-Brushed Nickel

MB-Matte Black

◆ General Information

Inspect the product immediately upon receipt for transit damage, missing packs/parts or manufacturing fault. Damage reported later will not be accepted. Handle the product with care avoiding knocks and shock loading to all sides and edges of the glass.

◆ Notes: Safety glass can not be re-worked

Read these instructions carefully before start of installation.

Special care should be taken when drilling walls to avoid hidden pipes or electrical cables.

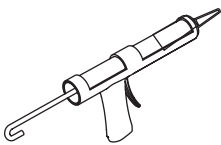
Note: This product is heavy and may require two people to install.

◆ Aftercare instructions

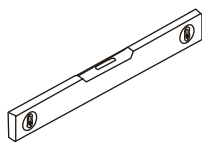
After use, your shower should be cleaned with soap and water. This is particularly important in hard water districts where insoluble lime salts maybe deposited and allowed to build up. Cleaners of a gritty or abrasive nature should not be used. Care should be taken to avoid contact with strong chemicals, they can be used but with caution, if in doubt contact the manufacturer of the cleaner in question.

Keep these instructions for aftercare and customer service details.

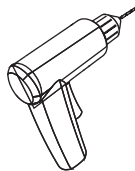
Tools Required



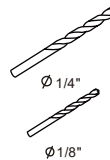
Silicone



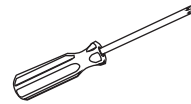
Level



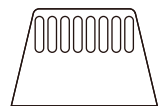
Drill



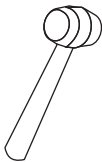
Drill Bit



Screwdriver
(Phillips)



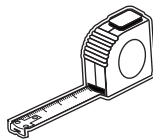
Sealant
Finishing Tool



Mallet



Pencil



Tape Measure



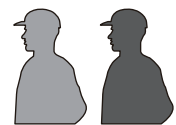
Allen Wrenches



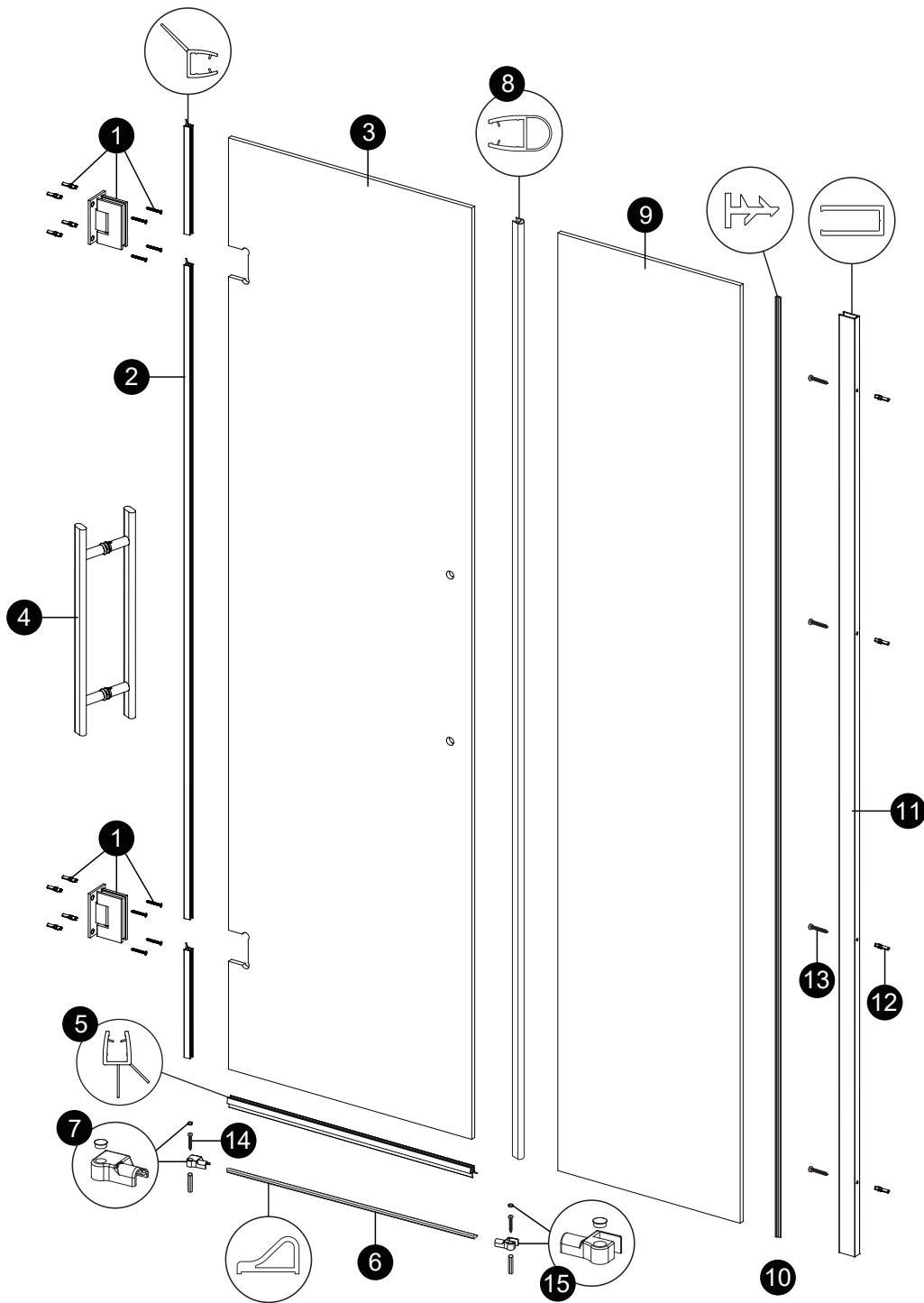
Painters
Tape

Tips: Measure the finished opening before proceeding with the installation to be sure that the correct model size has been ordered.

Note: These instructions will show the installation of the shower door. Please follow the same steps for the installation of the tub door.



PARTS LIST



PACKING LIST

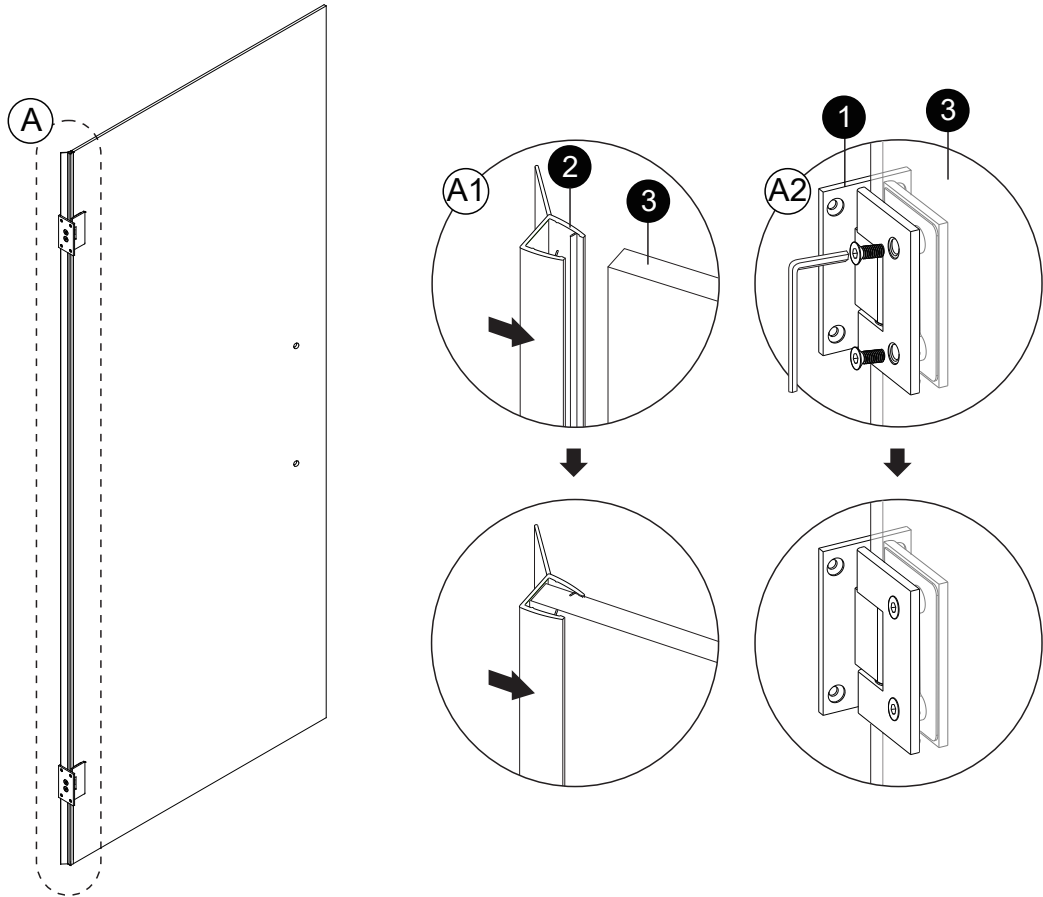


Keep small parts away from children

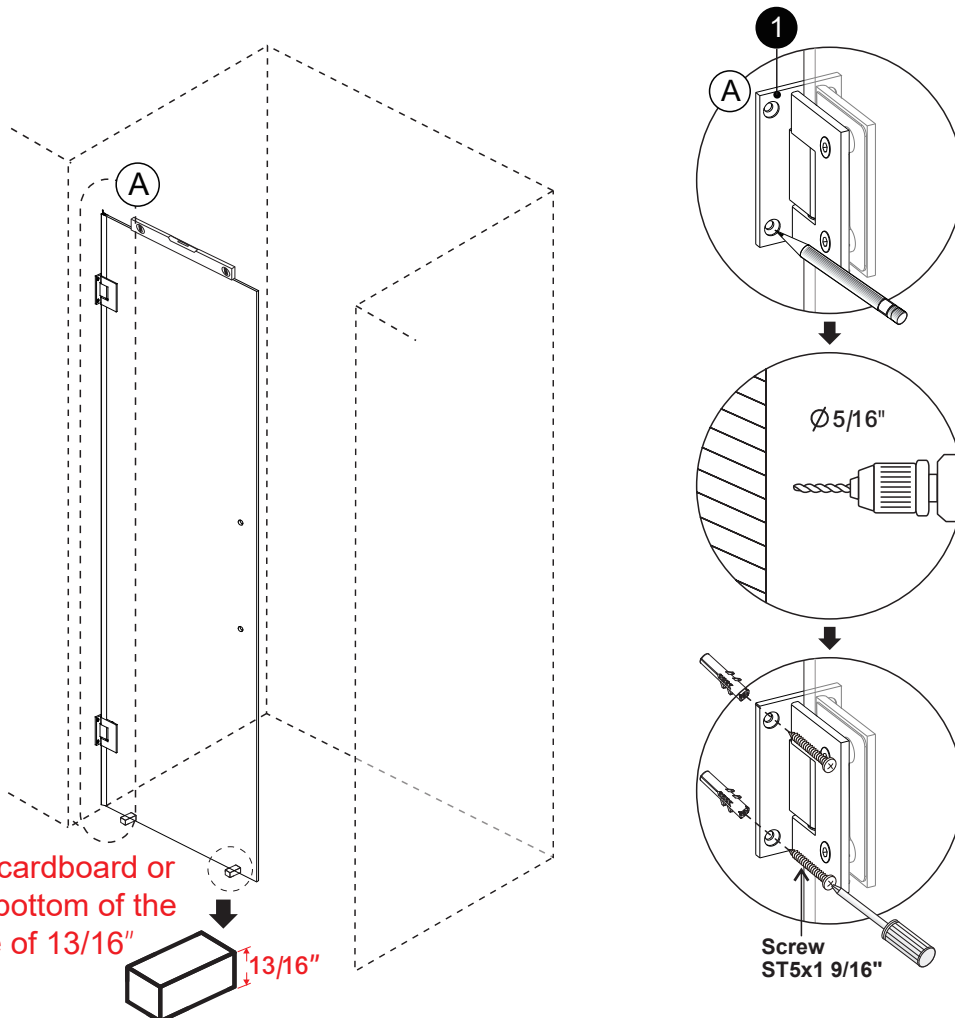
PART #	DESCRIPTION	Q'TY	PART #	DESCRIPTION	Q'TY
1	Hinges x2	2sets	8	Gasket-C	1pc
	Wall Plug x8		9	Fixed Panel	1pc
	Screws ST5x1 9/16" x8		10	Gasket-D	1pc
2	Gasket A	3pcs	11	Wall Jamb	1pc
3	Door Panel	1pc	12	Wall Plugs	6pcs
4	Handle	1pc	13	Countersunk Screws ST4x1 3/8"	4pcs
5	Gasket-B	1pc	14	Screws ST4x1 3/8"	2pcs
6	Drip Rail	1pc	15	180° Clamps-B (L/R)	1set
7	180° Clamps-A (L/R)	1set			

INSTALLATION STEPS

STEP 1

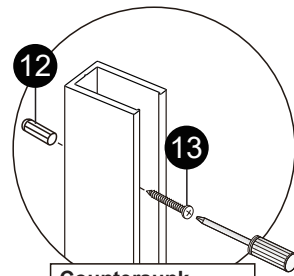
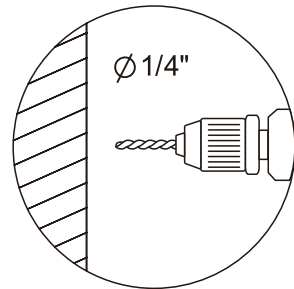
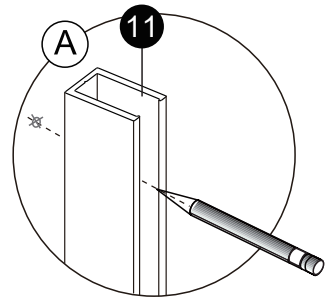
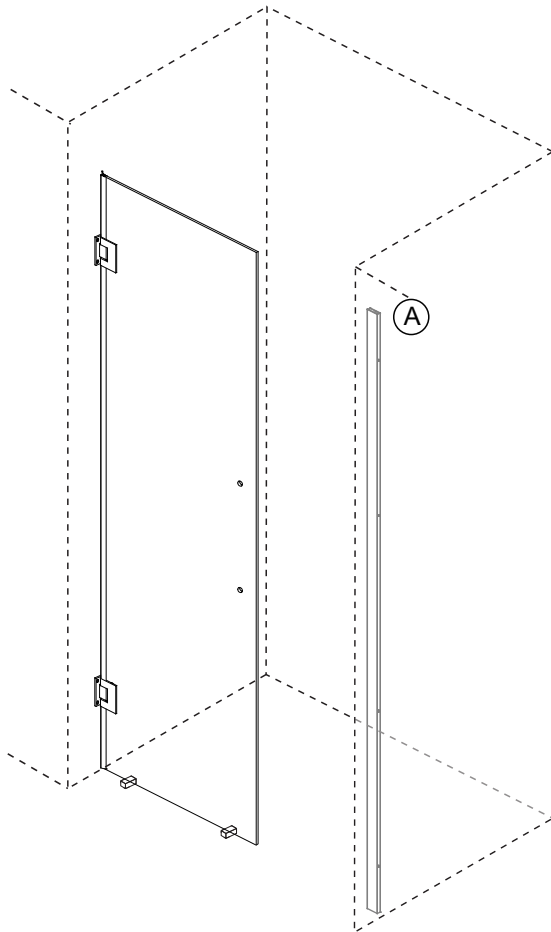


STEP 2



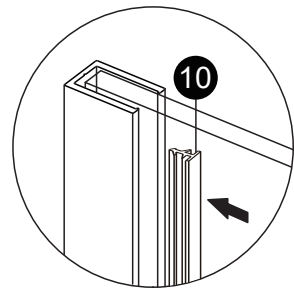
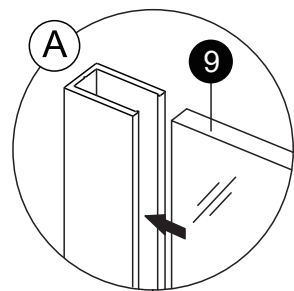
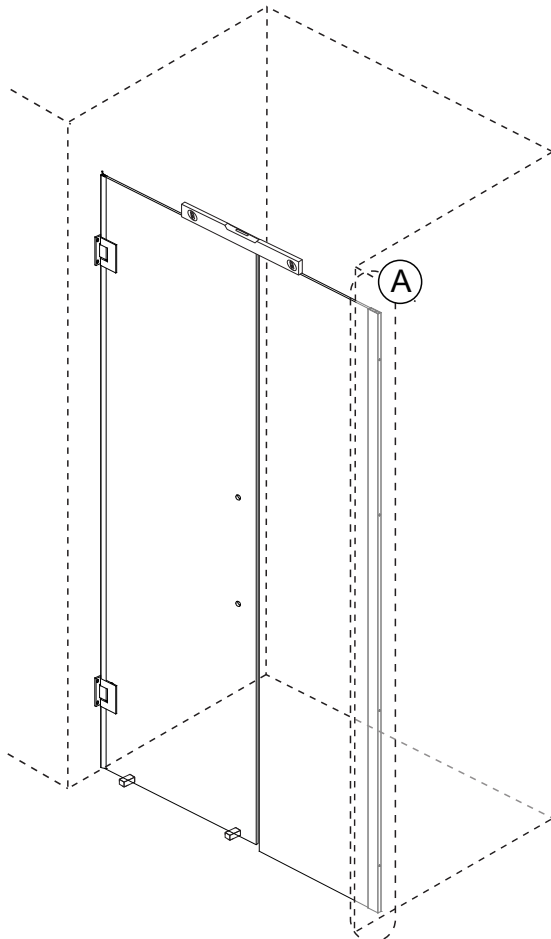
NOTE: Raised on cardboard or planks, keep the bottom of the glass at a distance of $13/16''$ from the floor.

STEP 3

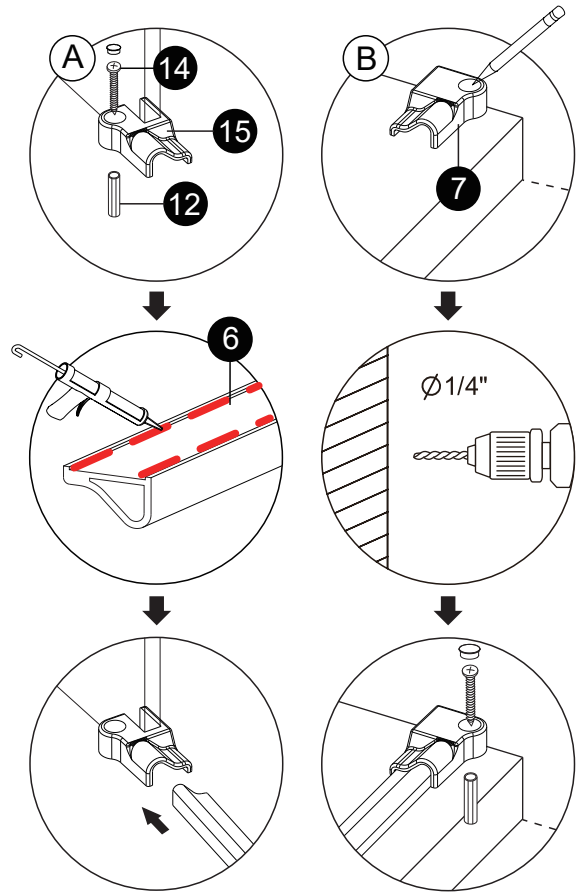
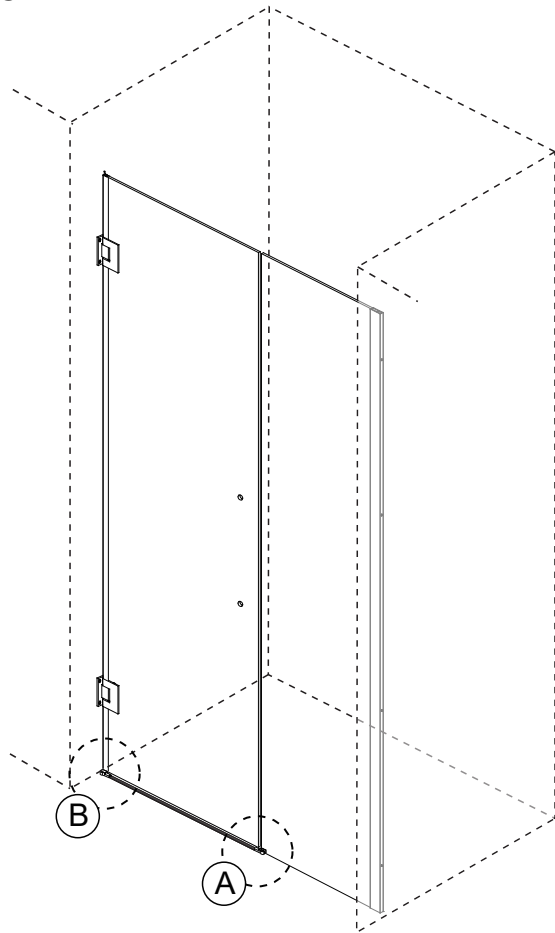


Countersunk
Screws ST4x1 3/8"

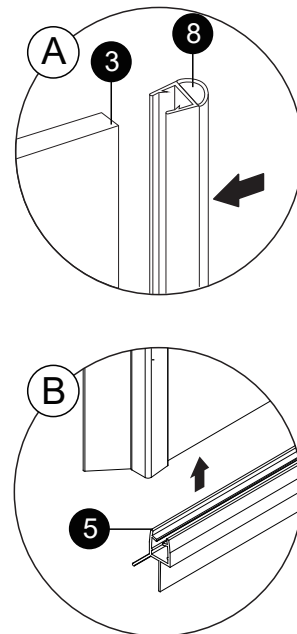
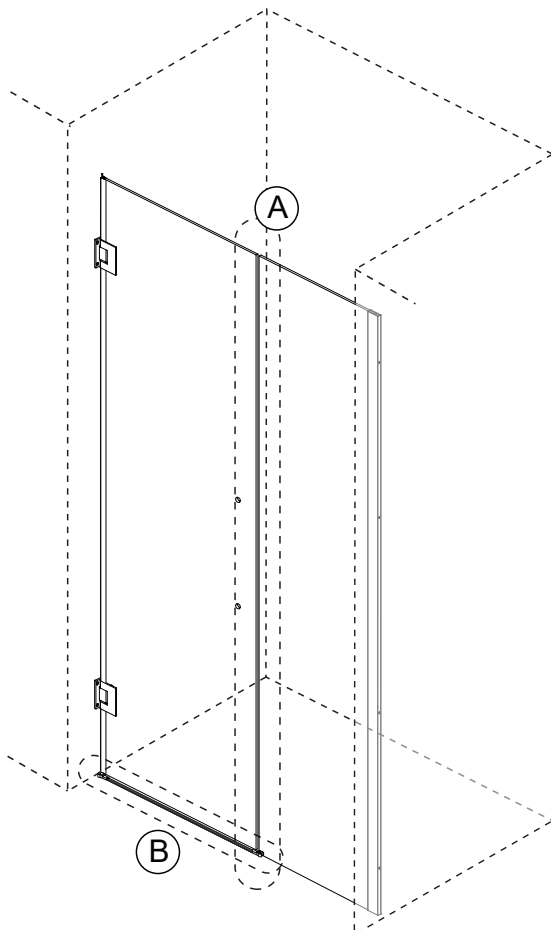
STEP 4



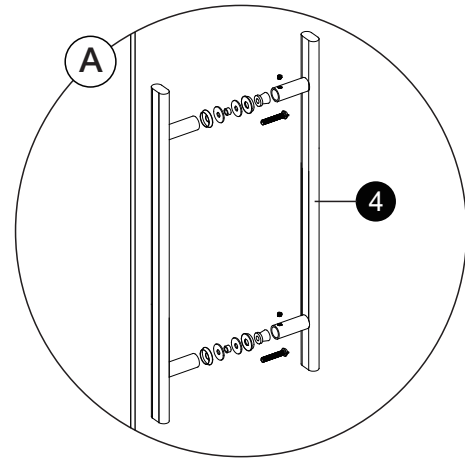
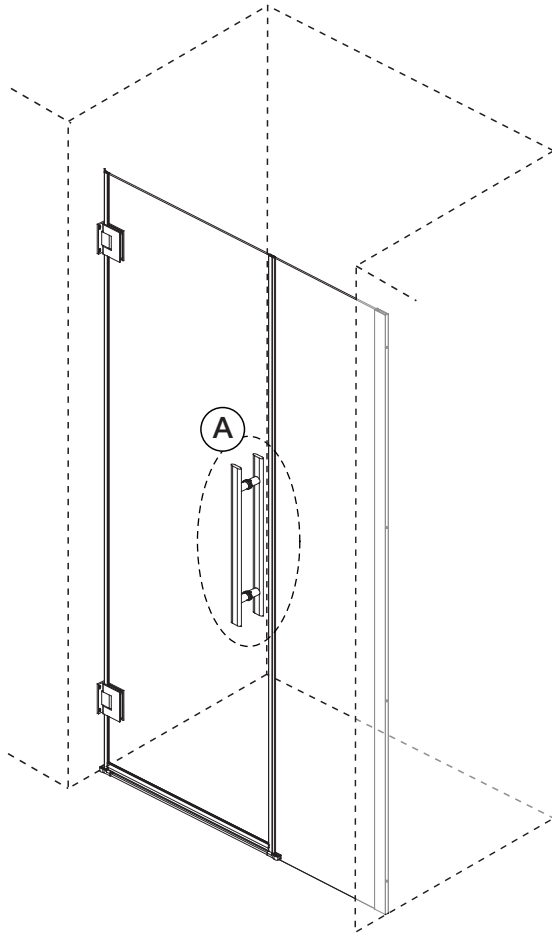
STEP 5



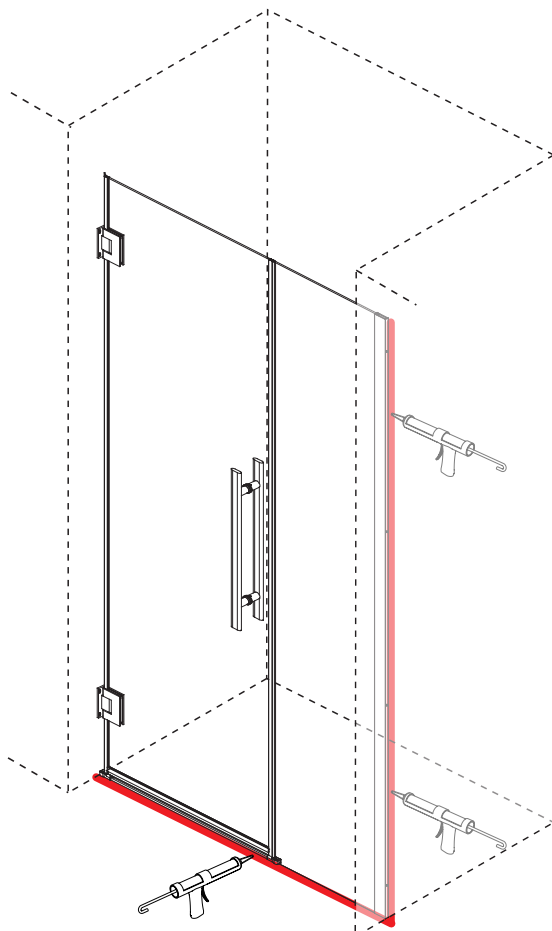
STEP 6



STEP 7



STEP 8



24 HOURS

Apply clear silicone caulking along the wall and threshold of the shower door inside and outside.

(make sure you) wait 24hours before using the shower. Do not allow water to directly hit door.