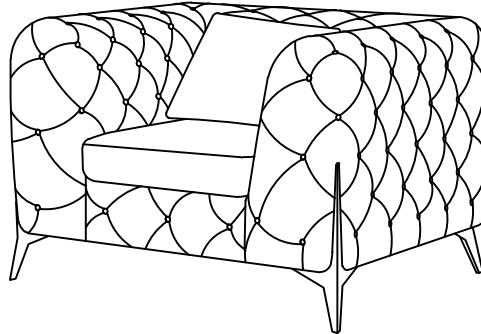


ASSEMBLY INSTRUCTION

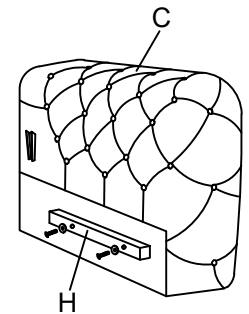
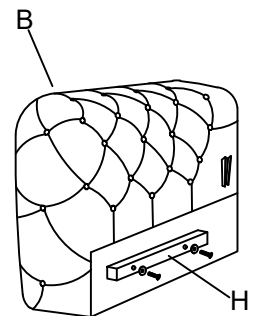
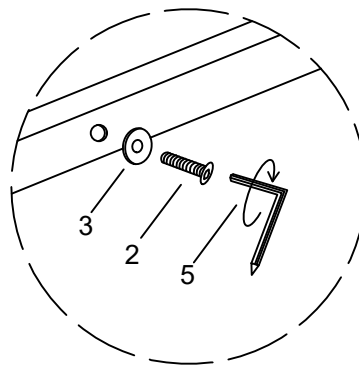
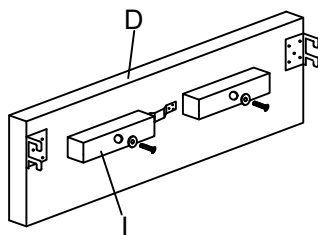
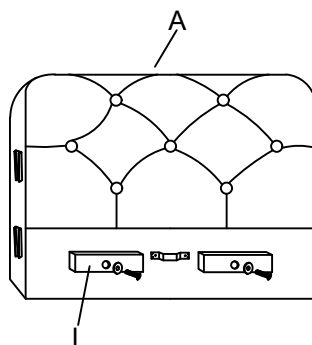
Item NO:C8001 ARMCHAIR



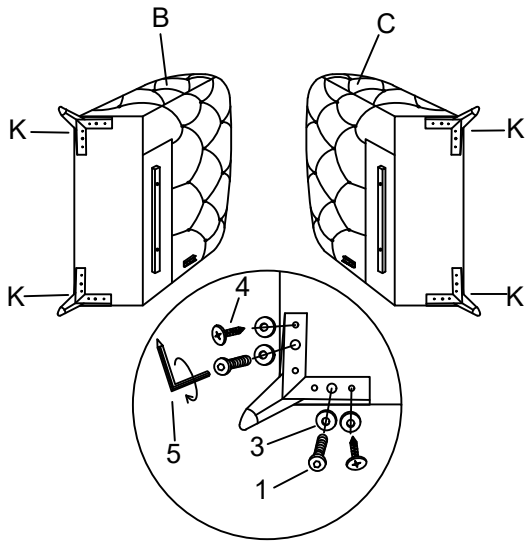
PARTS IDENTIFICATION						
A	BACK REST		1PC	G	SUPPORT STRIP	1PC
B	LEFT ARMREST		1PC	H	BATTEN	2PC
C	RIGHT ARMREST		1PC	I	BATTEN	4PC
D	FRONT PLATE		1PC	J	PILLOW	1PC
E	SEAT		1PC	K	LEG	4PC
F	CUSHION		1PC			

HARDWARE LIST			
NO.	SIZE	DIAGRAM	QTY
1	Bolts M8*40mm		12
2	Bolts M8*55mm		8
3	Flat washer		28
4	Screws		8
5	Allen wrench		1

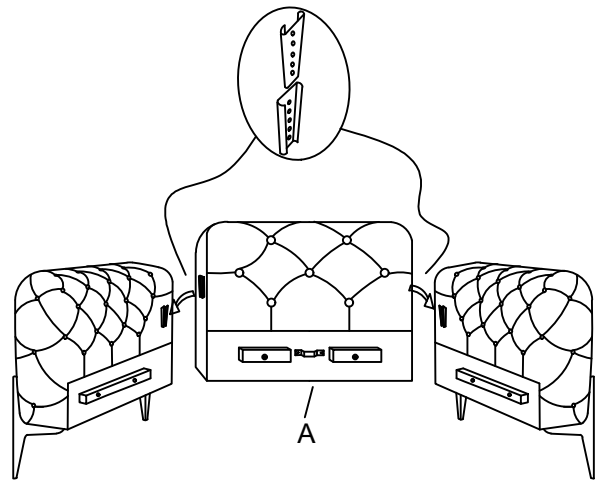
STEP 1



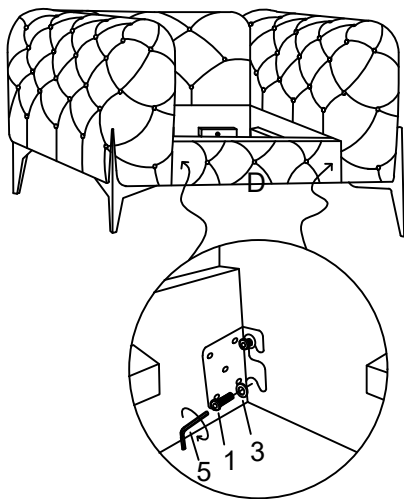
STEP 2



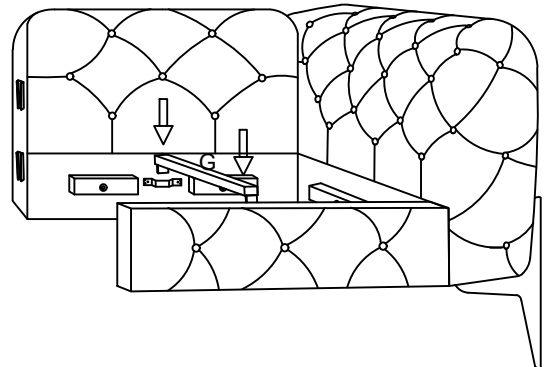
STEP 3



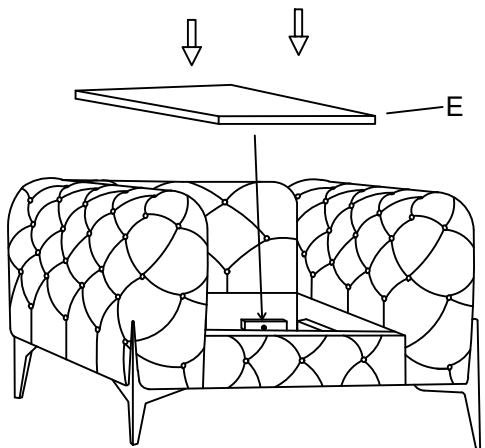
STEP 4



STEP 5



STEP 6



STEP 7

