

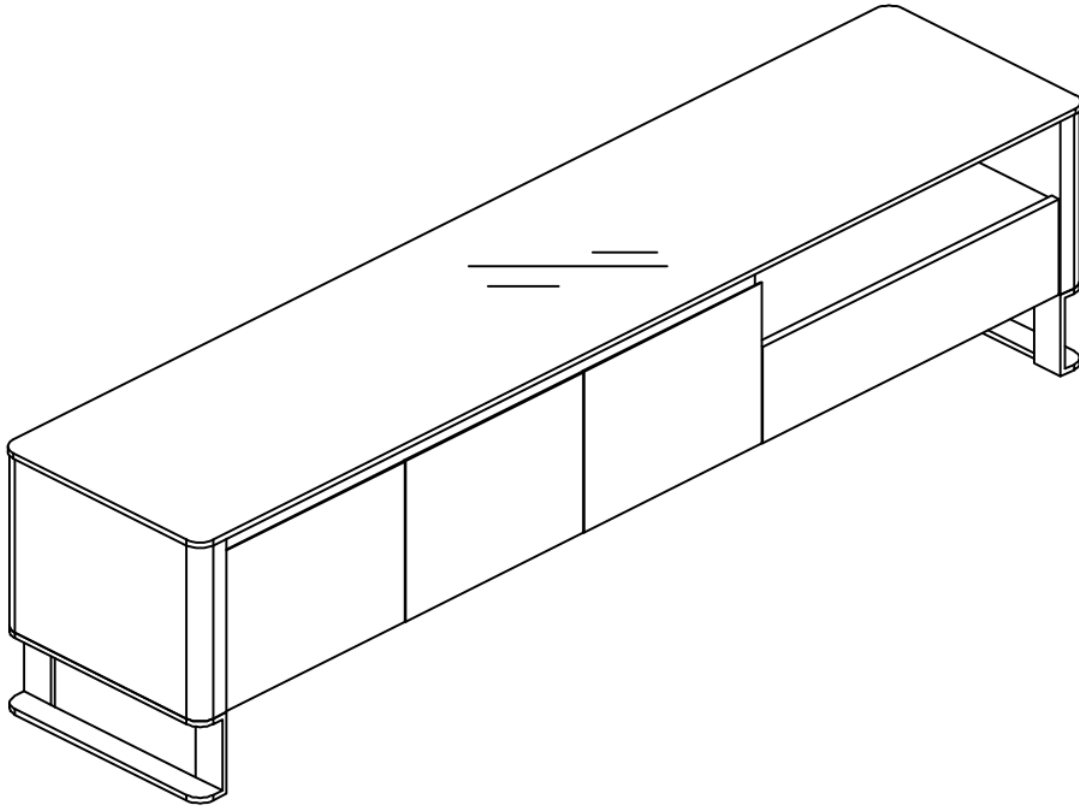


TV Base

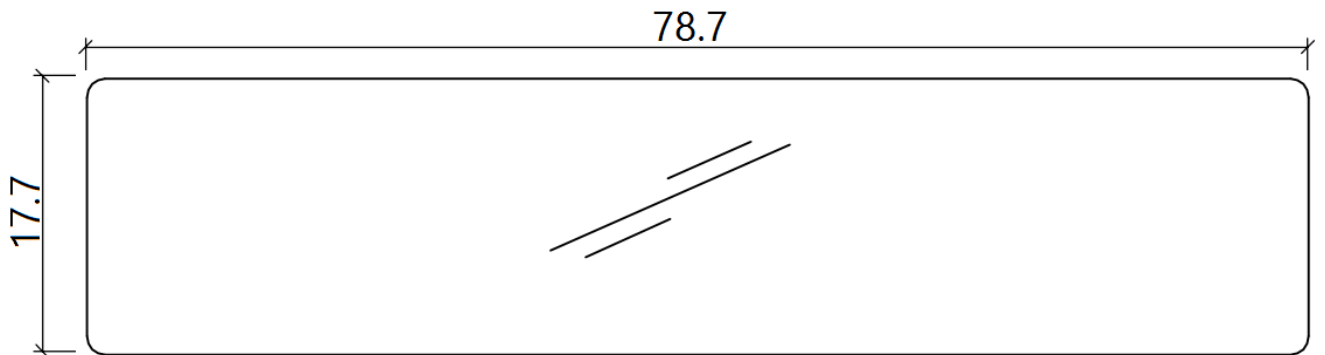
J&M is proud to present the Julian TV Base. This TV base features a black gloss top complimented by the amiable earth tones of the warm walnut veneer. This TV base features adequate storage options, an opening for media units with a pre-cut hole for easy cable management and stainless steel legs for a clean finish.

Detailed Dimensions

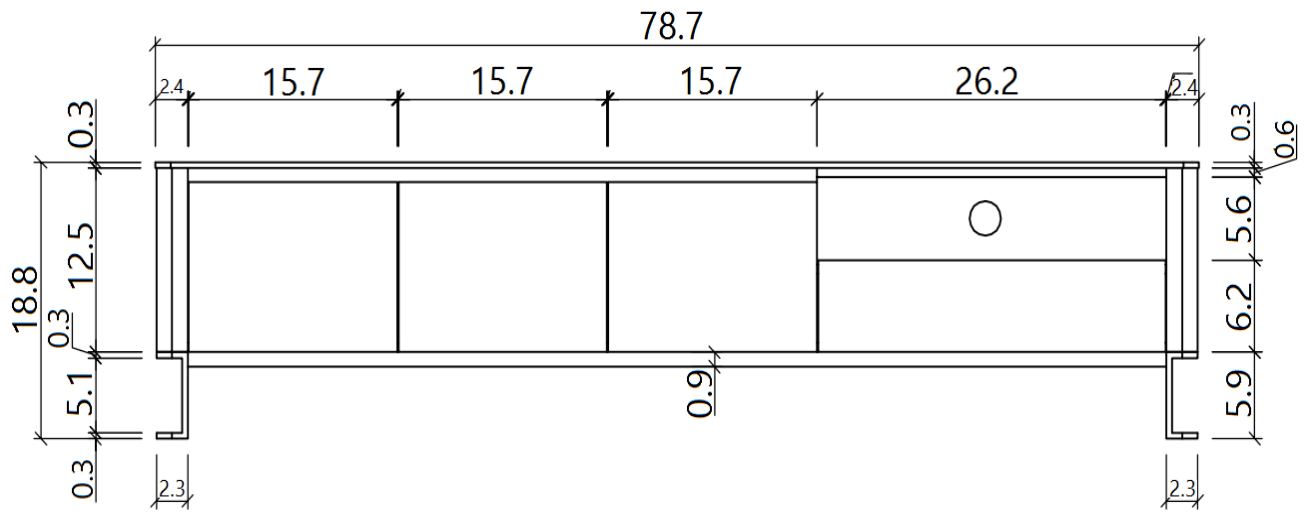
TV Base



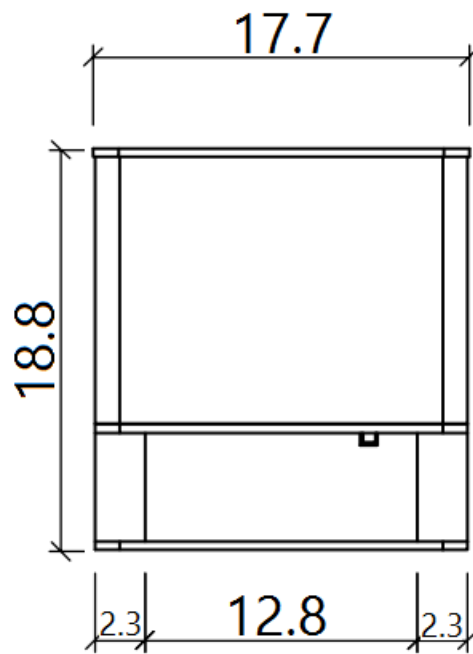
Top View



Front View



Side View







Assembly Instructions

VERSION: 191F

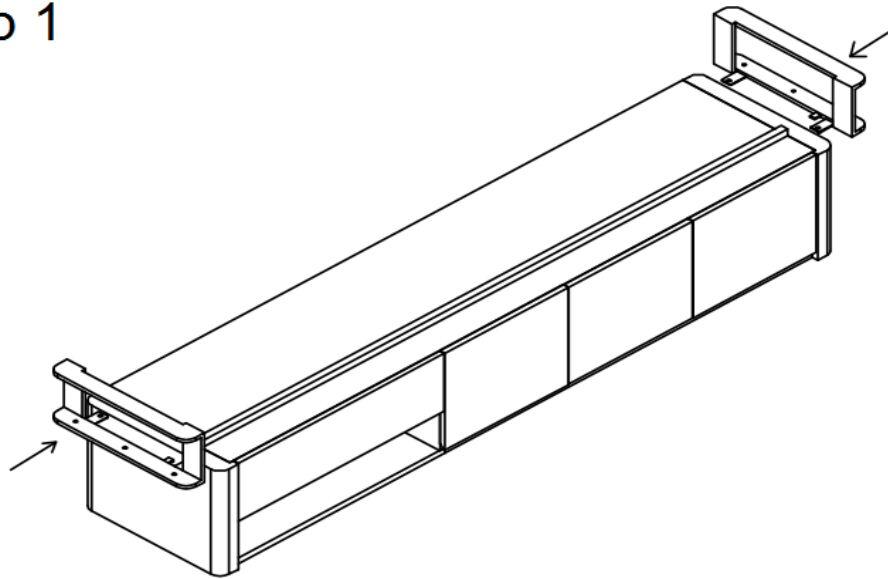
ASSEMBLY INSTRUCTION

SETTING FITTINGS

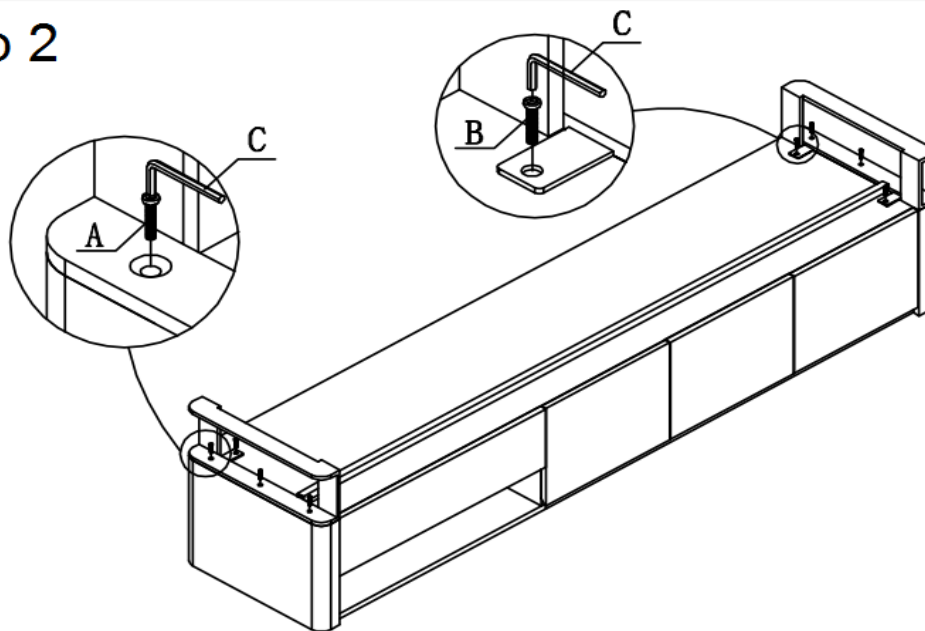
DR-191F-01-A

FITTINGS	SPEC.	AMOUNT	FITTINGS	SPEC.	AMOUNT
A	 M8x20	6pcs	B	 M8x10	4pcs
C	 5mm	1pcs	D	 50x10x1	8pcs

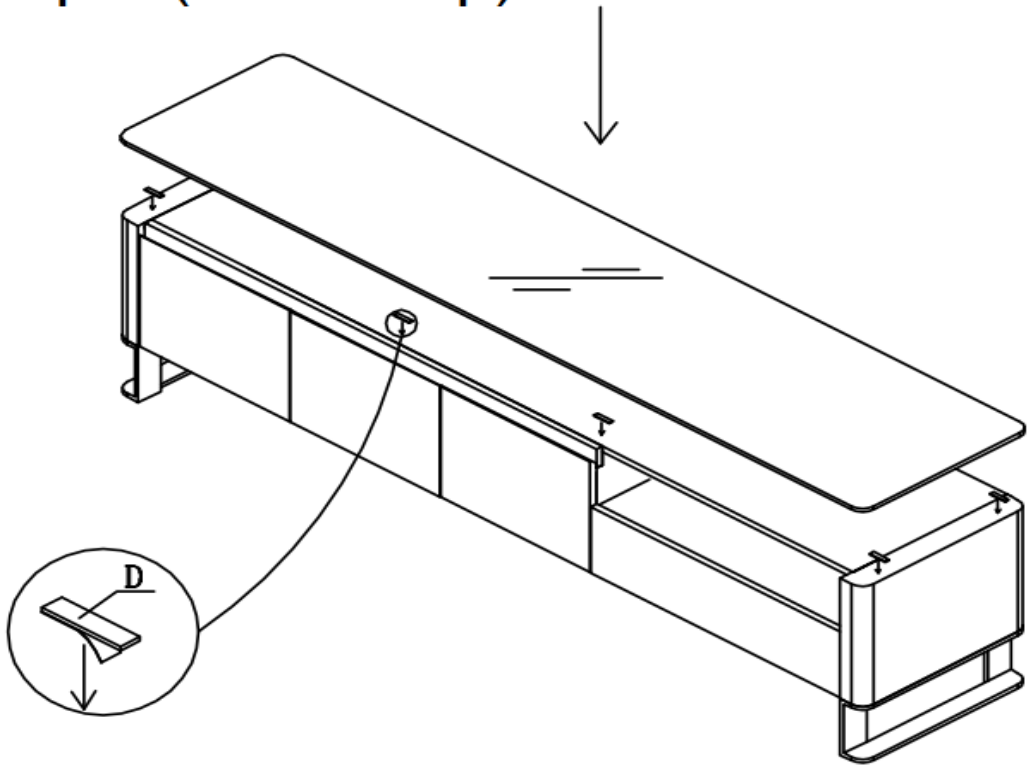
Step 1



Step 2



Step 3 (Final Step)



Finished Product

