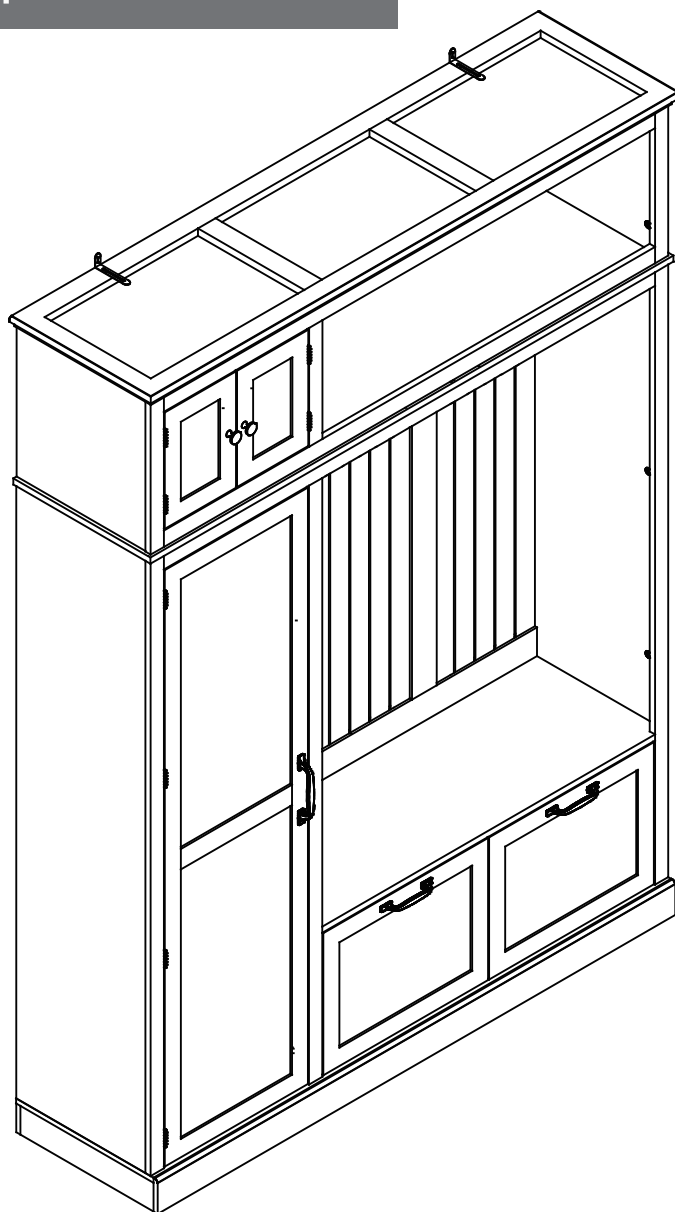


Hall Tree

Assembly Instructions - Please keep for future reference



Dimensions

Width- 59.05inch

Depth- 15.75inch

Height- 74.8inch



WARNING



This product is NOT a Clothing Storage Unit (CSU).

DO NOT use it for clothing storage.
Improper use may cause furniture tipover.

Important – Please read these instructions fully before starting assembly



Safety and Care Advice

Important – Please read these instructions fully before starting assembly

- Check you have all the components and tools listed on the following pages.
- Remove all fittings from the plastic bags and separate them into their groups.
- Keep children and animals away from the work area, small parts could choke if swallowed.
- Make sure you have enough space to layout the parts before starting.

- During assembly do not stand or put weight on the product, this could cause damage.
- Assemble the item as close to its final position (in the same room) as possible.
- Assemble on a soft level surface to avoid damaging the unit or your floor.
- Parts of the assembly will be easier with 2 people.



power drill is set on a low torque setting.

- To reduce the likelihood of damaging your product please ensure that your

Care and maintenance

• Only clean using a damp cloth and mild detergent, do not use bleach or abrasive cleaners.

• From time to time check that there are no loose screws on this unit.

• This product should not be discarded with household waste. Take to your local authority waste disposal centre.

Handy Hints

• Assemble all parts and bolts loosely during assembly, only once the product is complete should you fully tighten the bolts

• Regularly check and ensure That all bolts and fittings are tightened properly.

WARNING In order to help prevent overturning – please follow these instructions

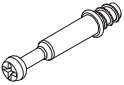


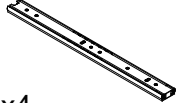
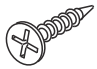
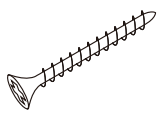
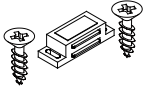
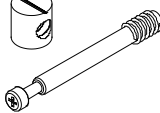

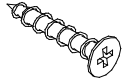
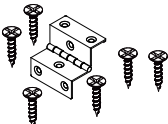



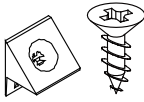

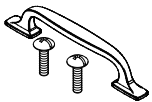
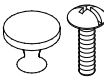
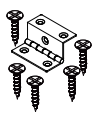
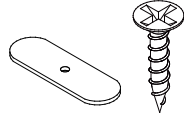
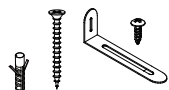

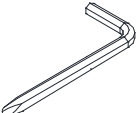
To help prevent product toppling over please follow the below steps:-

- Use the anti tip stap or wall fixing method provided (if applicable)
- Do not allow children to climb or hang on the furniture
- Do not open more than one drawer at a time
- Do not place heavy items in the top drawers
- Do not place heavy items on top of the furniture, unless the furniture has been designed for this purpose

Components - Fittings

Please check you have all the panels listed below

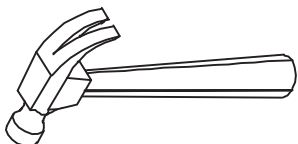
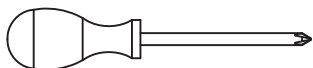
Note: The quantities below are the correct amount to complete the assembly. In some cases more fittings may be supplied than are required.

<p>(A) </p> <p>Cam Bolt x 92+2</p>	<p>(B) </p> <p>6*30mm Dowel x 72+2</p>	<p>(C) </p> <p>Cam lock x 96+2</p>	<p>(D) </p> <p>Slide x4</p>
<p>(E) </p> <p>3*12mm Screw x 16+1</p>	<p>(F) </p> <p>4*30mm Screw x 16+1</p>	<p>(G) </p> <p>x3set</p>	<p>(H) </p> <p>x 4set</p>
<p>(I) </p> <p>3*14mm Hook x 4set</p>	<p>(J) </p> <p>4*25mm Screw x 6+1</p>	<p>(K) </p> <p>3*12mm Four-fold hinge x 6set</p>	<p>(L) </p> <p>4*40mm Screw x 18+1</p>
<p>(M) </p> <p>3.5*12mm Corner Brace x 2set</p>	<p>(N) </p> <p>Shelf Support x 8</p>	<p>(O) </p> <p>3.5*14mm Back panel clip x 21set</p>	<p>(P) </p> <p>4*18mm Handle x 2set</p>
<p>(Q) </p> <p>4*18mm Handle x 1set</p>	<p>(R) </p> <p>4*18mm round handle x 2set</p>	<p>(S) </p> <p>3*12mm three-fold hinge x 2set</p>	<p>(T) </p> <p>x 4set</p>
<p>(U) </p> <p>Anti-tipping Device x2</p>	<p>(V) </p> <p>Perfect fit x 50</p>	<p>(W) </p> <p>Allen key x 1</p>	

Tools required Not Included



Phillips screwdriver
(medium & large)



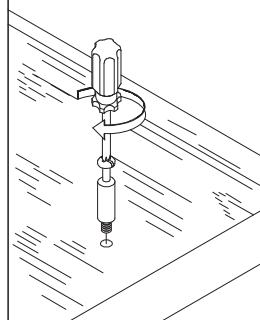
Using Camlocks

Step 1

Connect the male camlock as directed in the assembly instructions using a screwdriver.

1

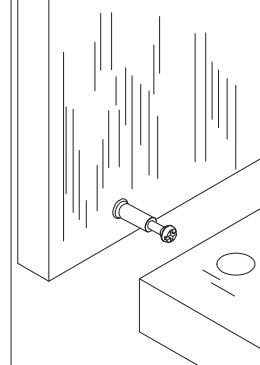
DO NOT OVER TIGHTEN.
NE PAS SERRER EXCESSIVEMENT.



Step 2

Push the male camlock into the entry hole.

2

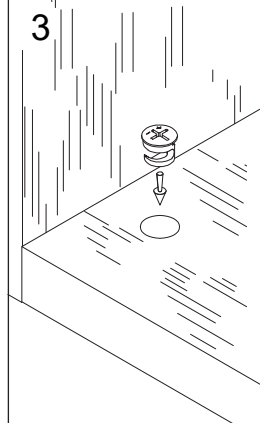


Step 3

Insert the female camlock as shown in the instruction.

Note: ensure that the arrow on the top of the camlock points towards the entry hole for the male camlock.

3



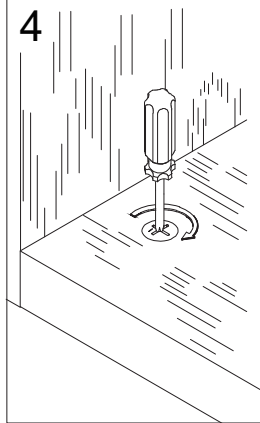
Step 4

Turn the female camlock clockwise with a screwdriver.

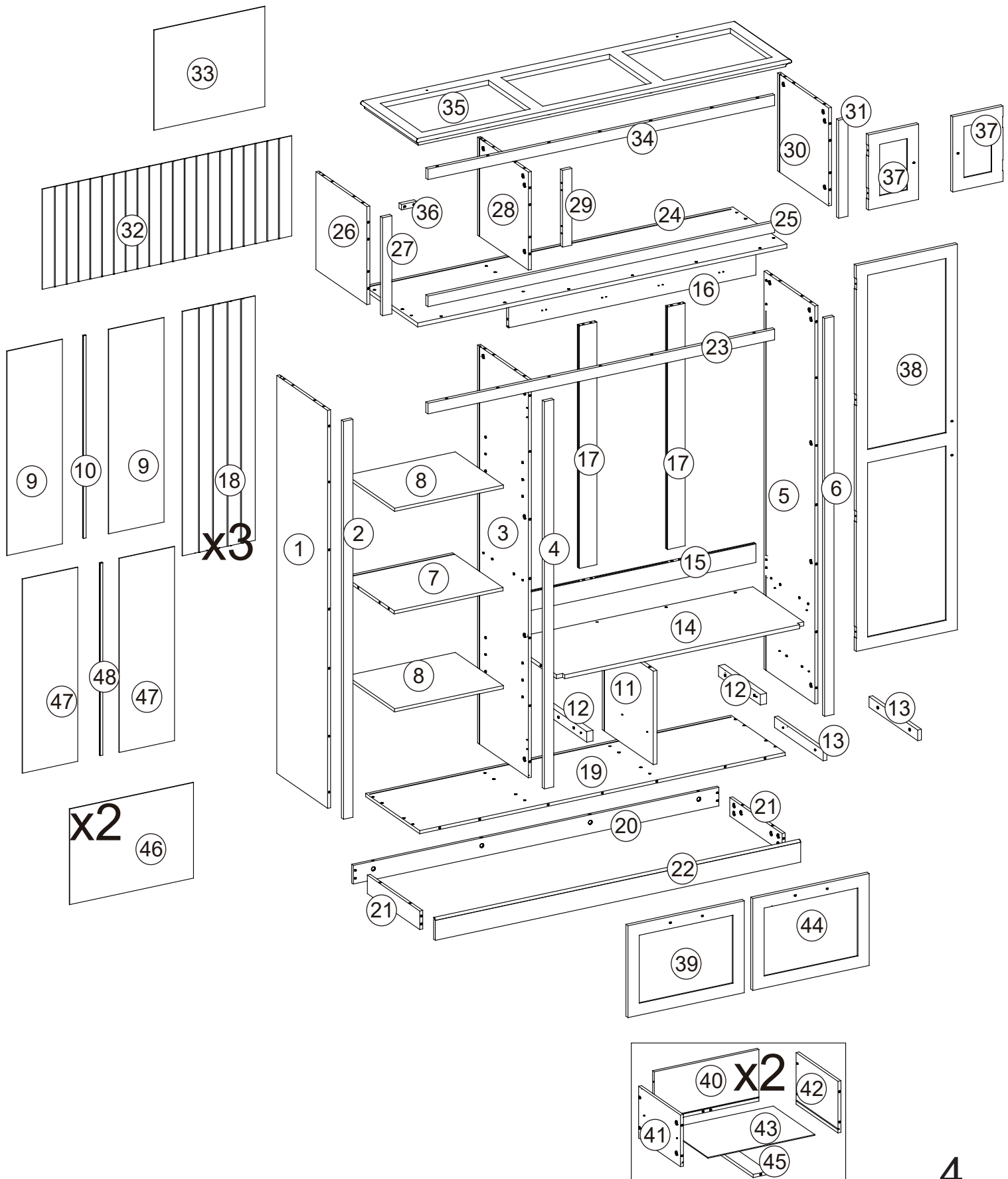
You should feel a click when the camlock is locked in place.

The joint is now secure.

4

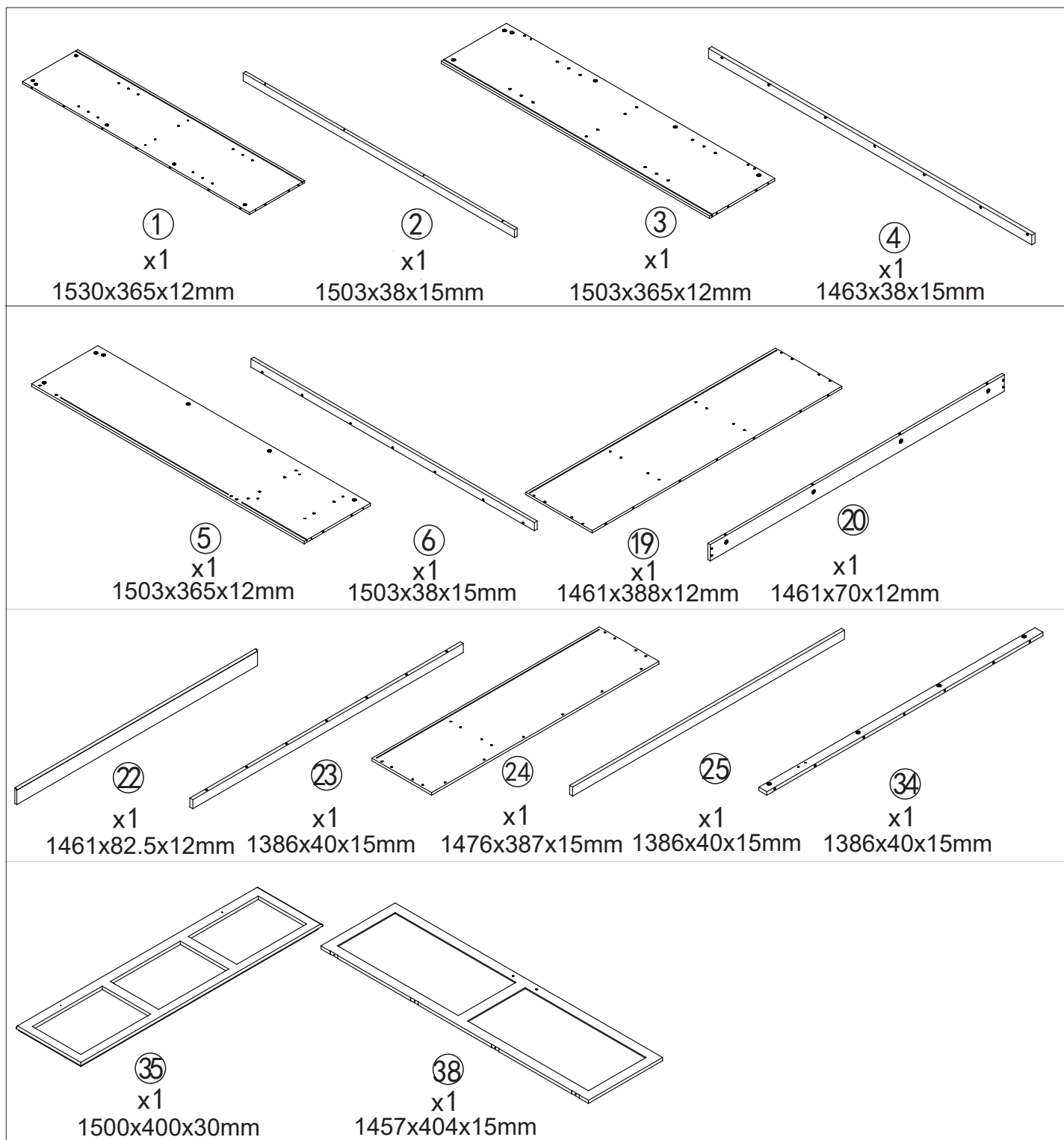


Assembly Instructions



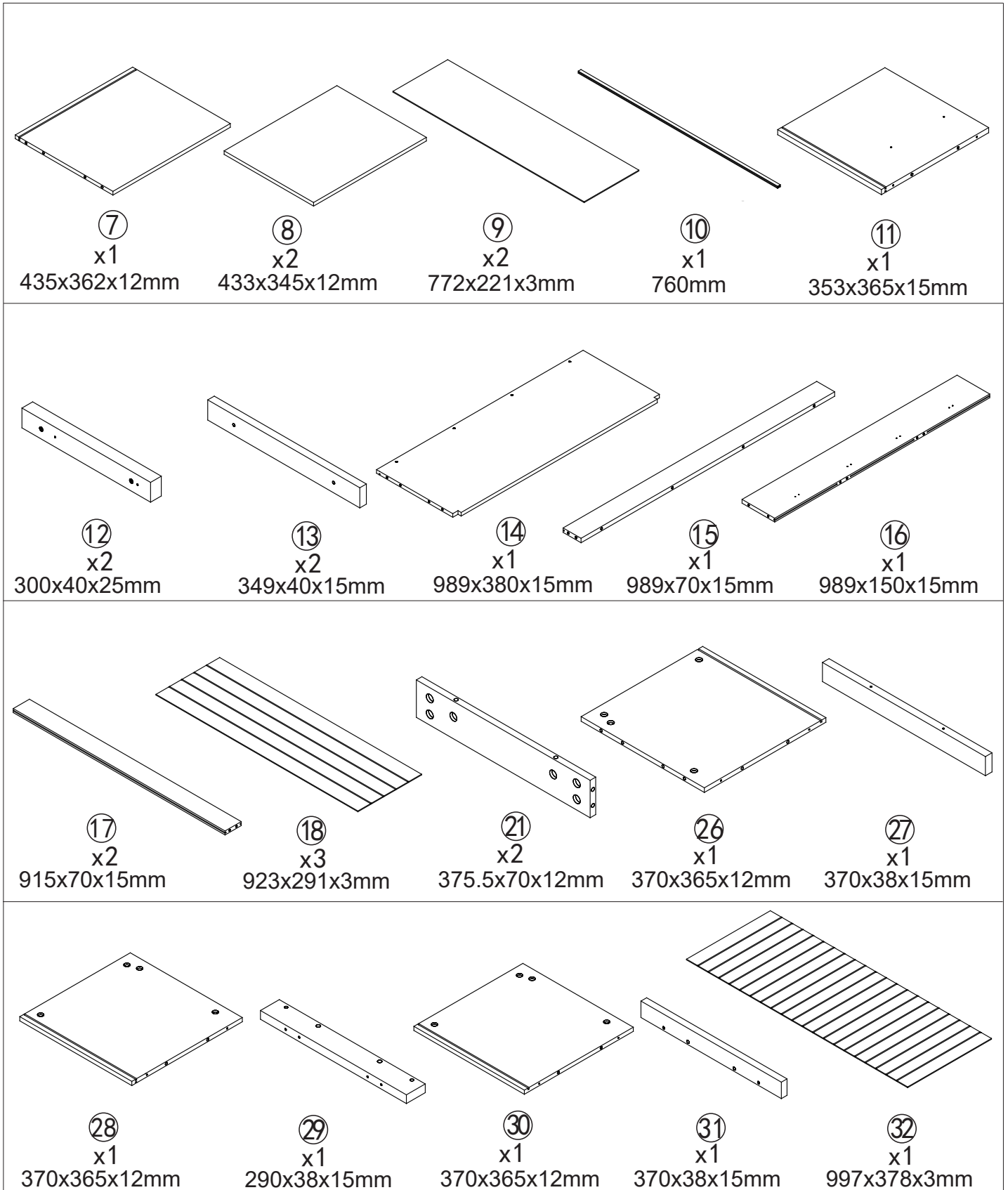
PART LIST

This product comes in 2 box.



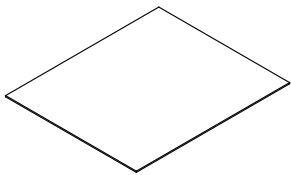
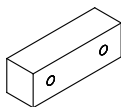
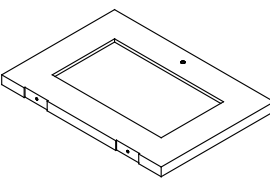
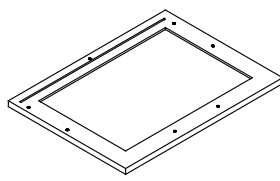
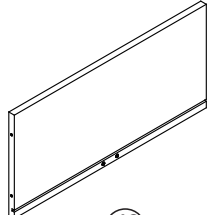
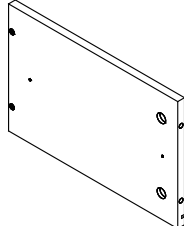
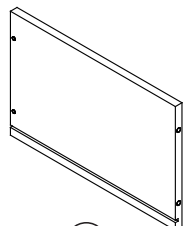
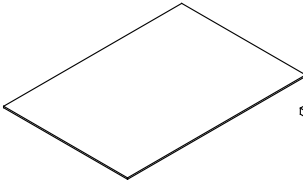
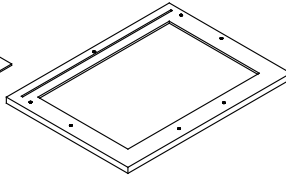
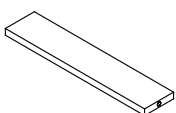
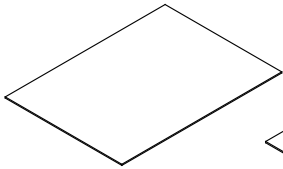
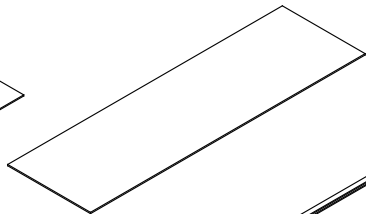
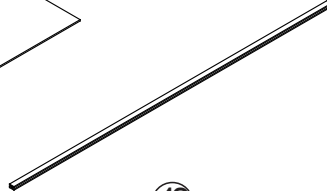

PART LIST

This product comes in 2 box.



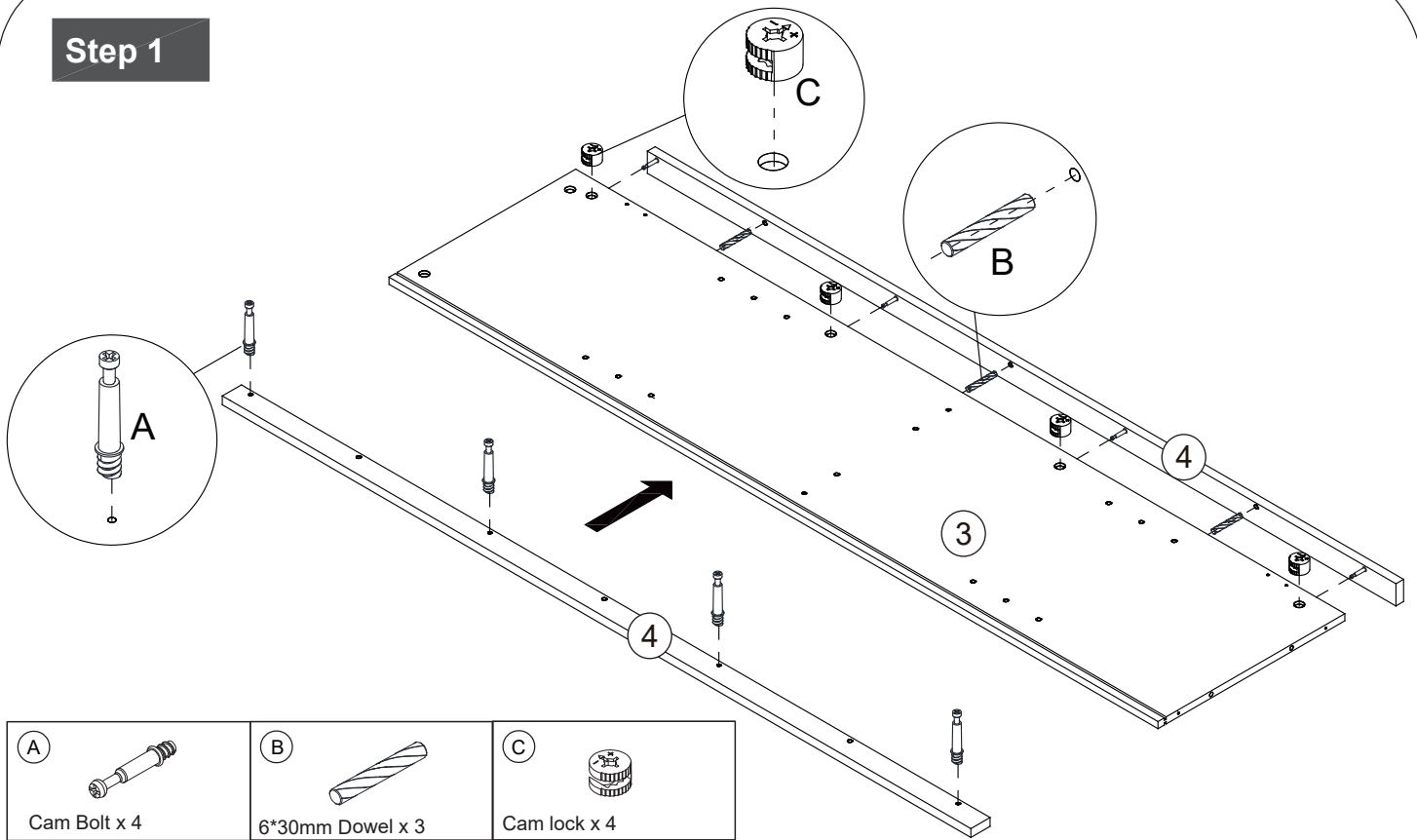
PART LIST

This product comes in 2 box.

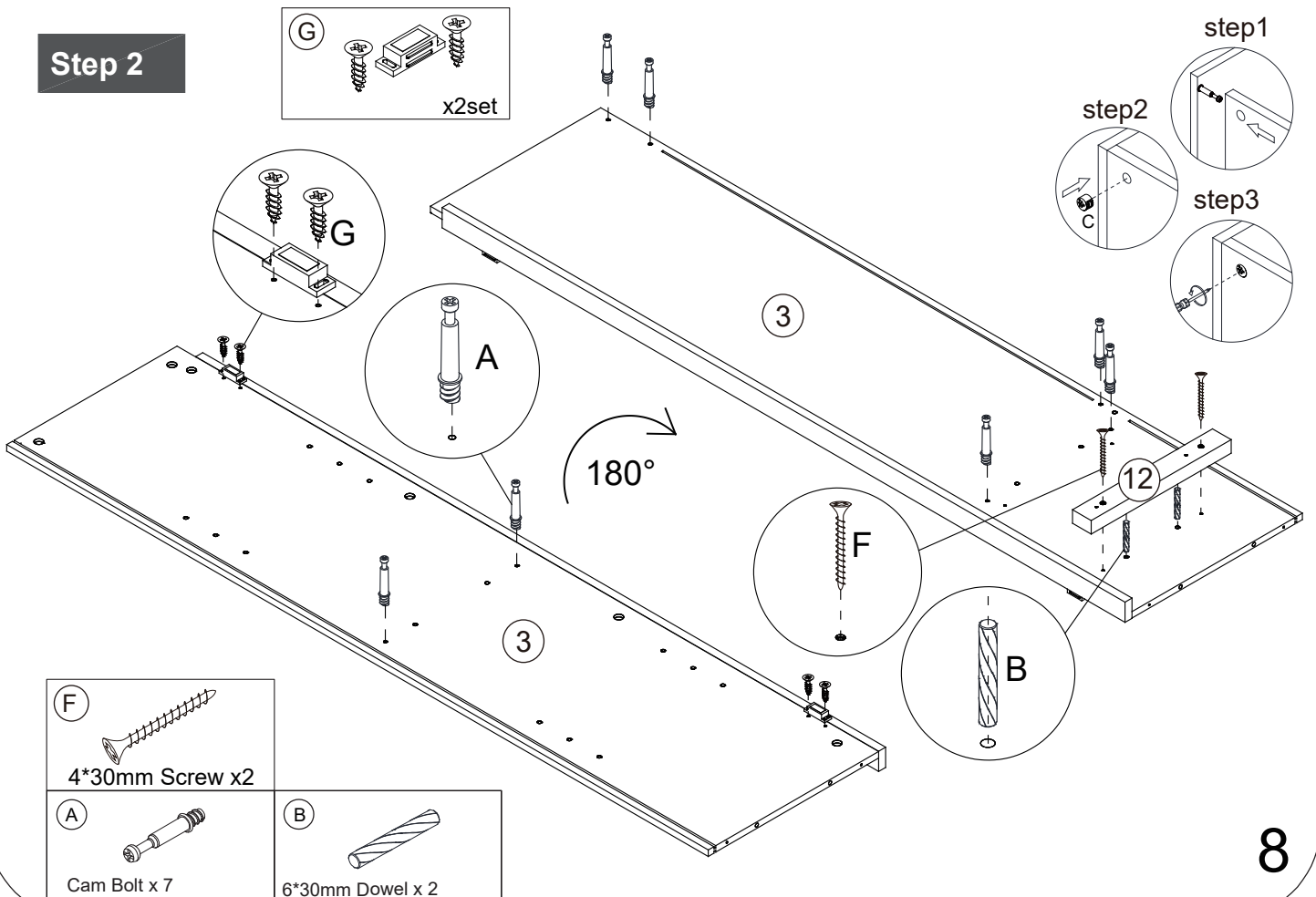
 ③③ x1 443x378x3mm	 ③⑥ x1 61x18x18mm	 ③⑦ x2 284x201x15mm	 ③⑨ x1 465x347x15mm	 ④① x2 418x195x12mm
 ④① x2 300x195x12mm	 ④② x2 300x195x12mm	 ④③ x2 427x297x3mm	 ④④ x1 465x347x15mm	 ④⑤ x2 288x60x12mm
 ④⑥ x2 495x361x3mm	 ④⑦ x2 733x221x3mm	 ④⑧ x1 722mm	 Hardware kit x1	

Assembly Instructions

Step 1



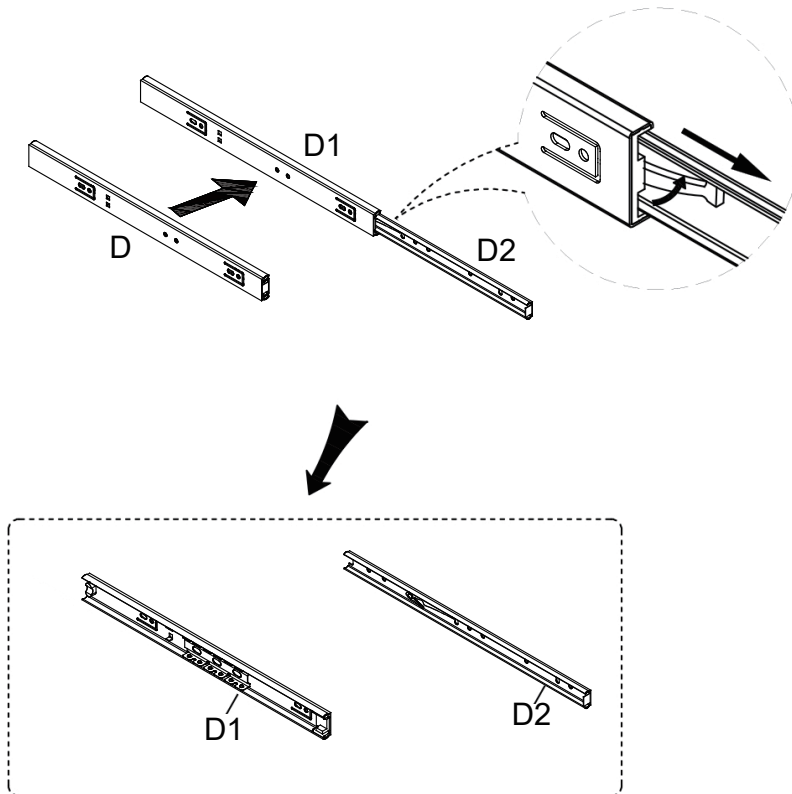
Step 2



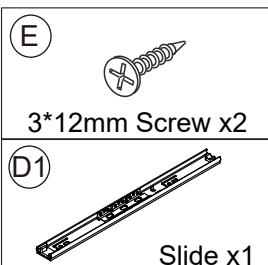
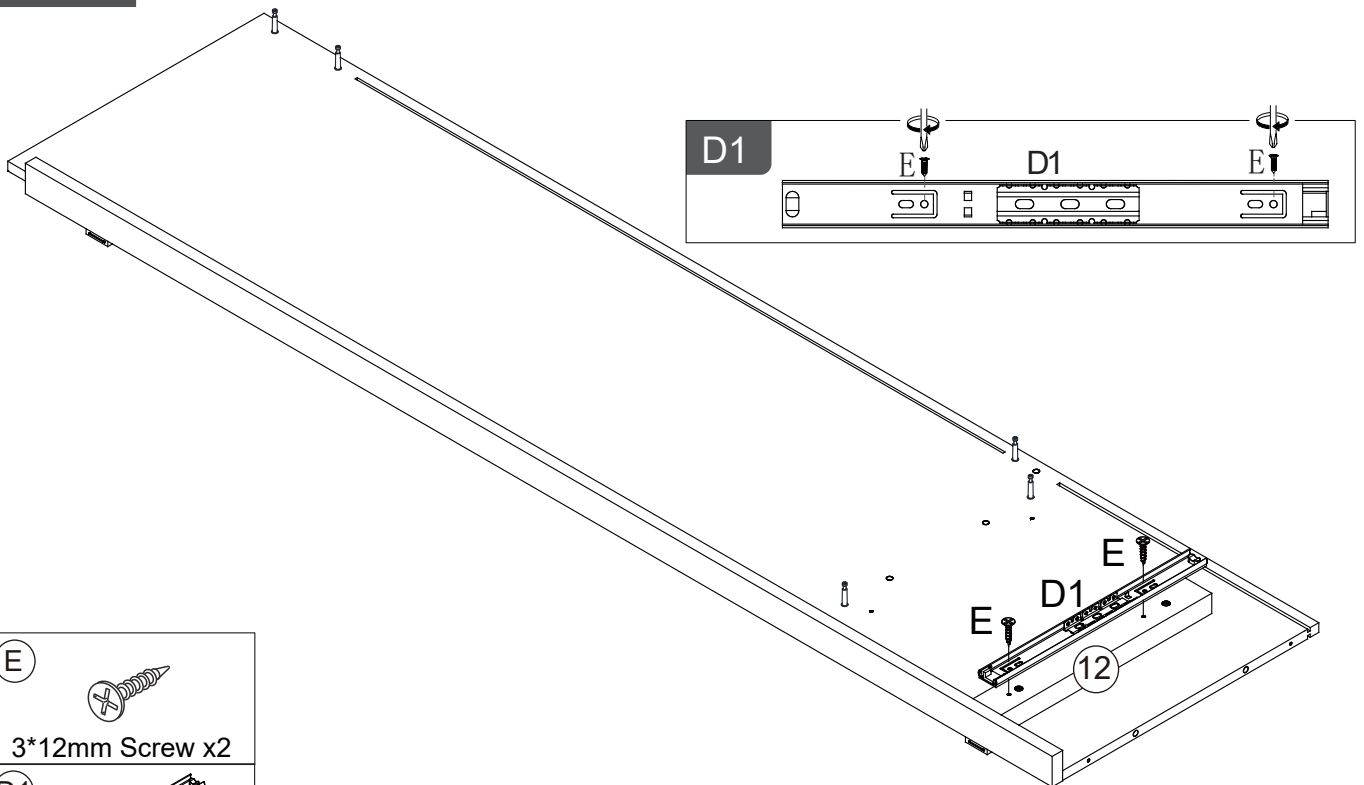
Assembly Instructions

Step 3

x4

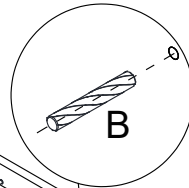
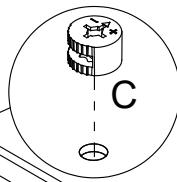
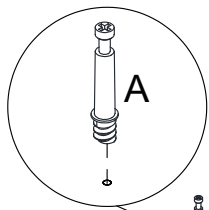


Step 4

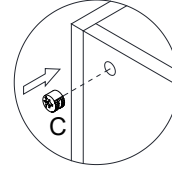


Assembly Instructions

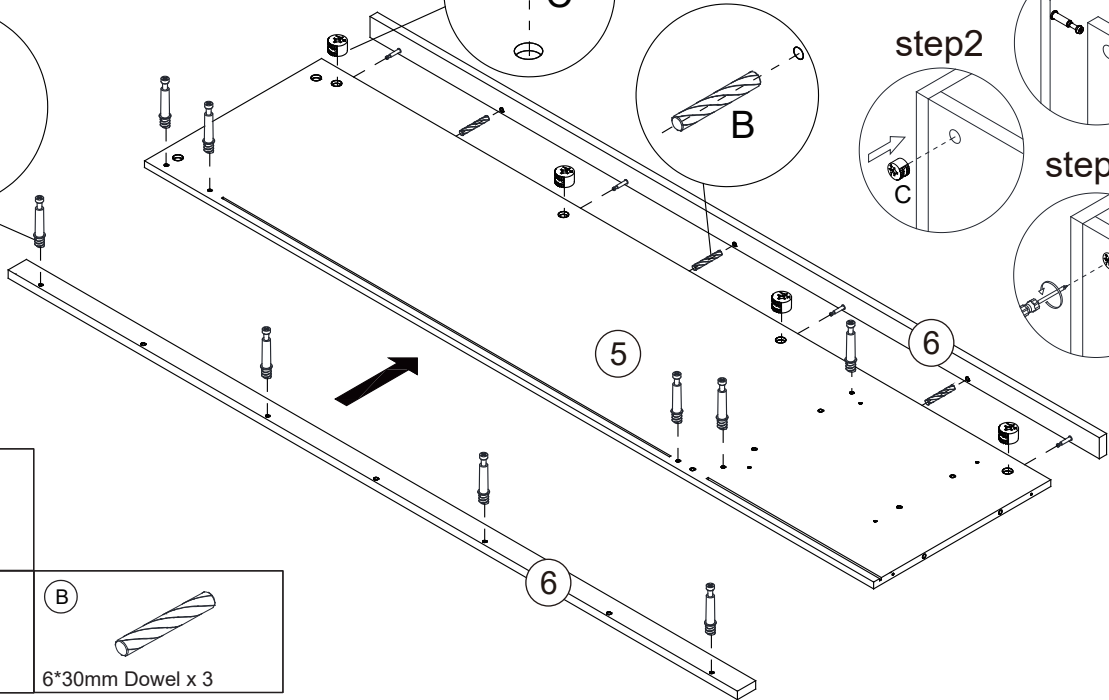
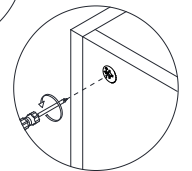
Step 5



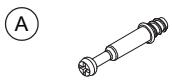
step2



step3



Cam lock x 4

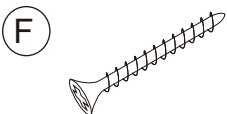
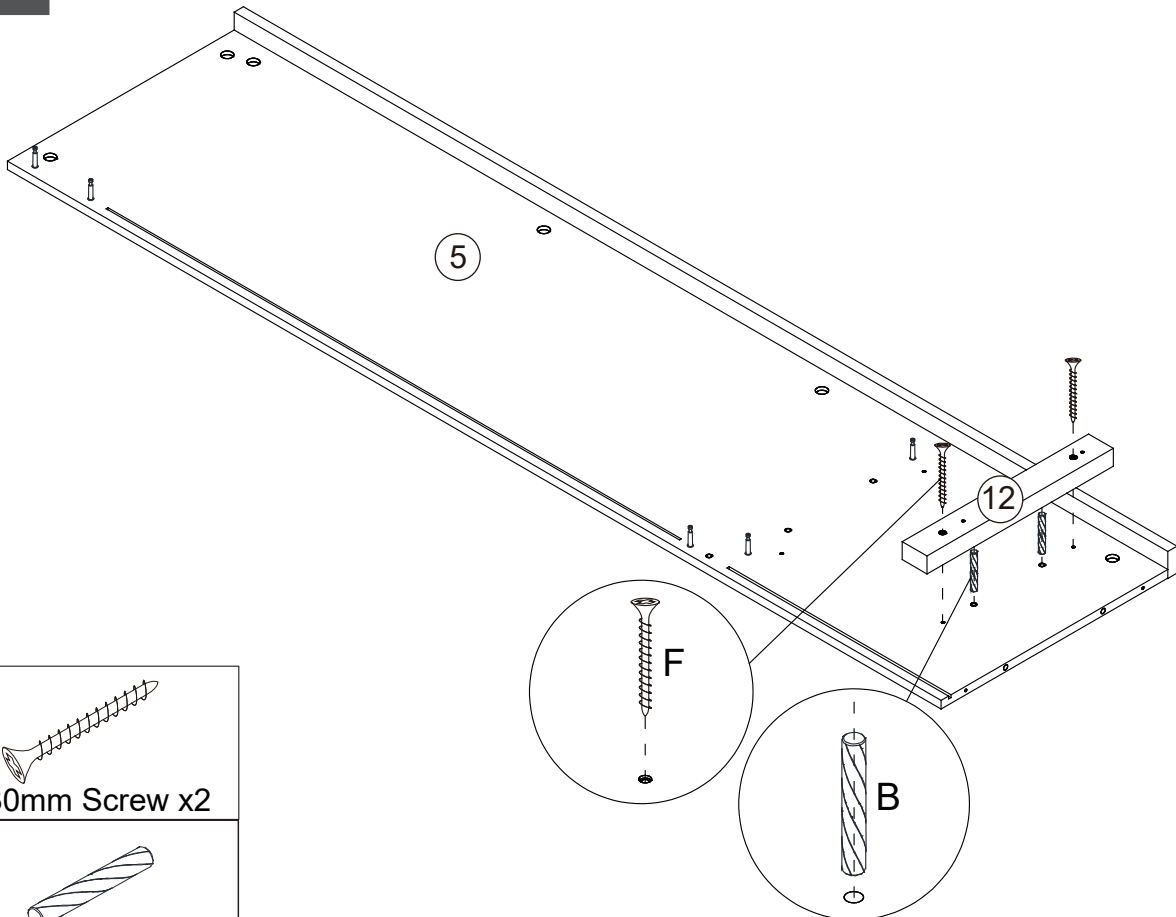


Cam Bolt x 9

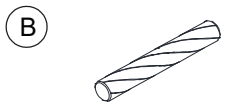


6*30mm Dowel x 3

Step 6



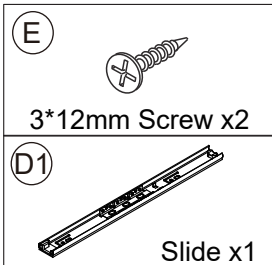
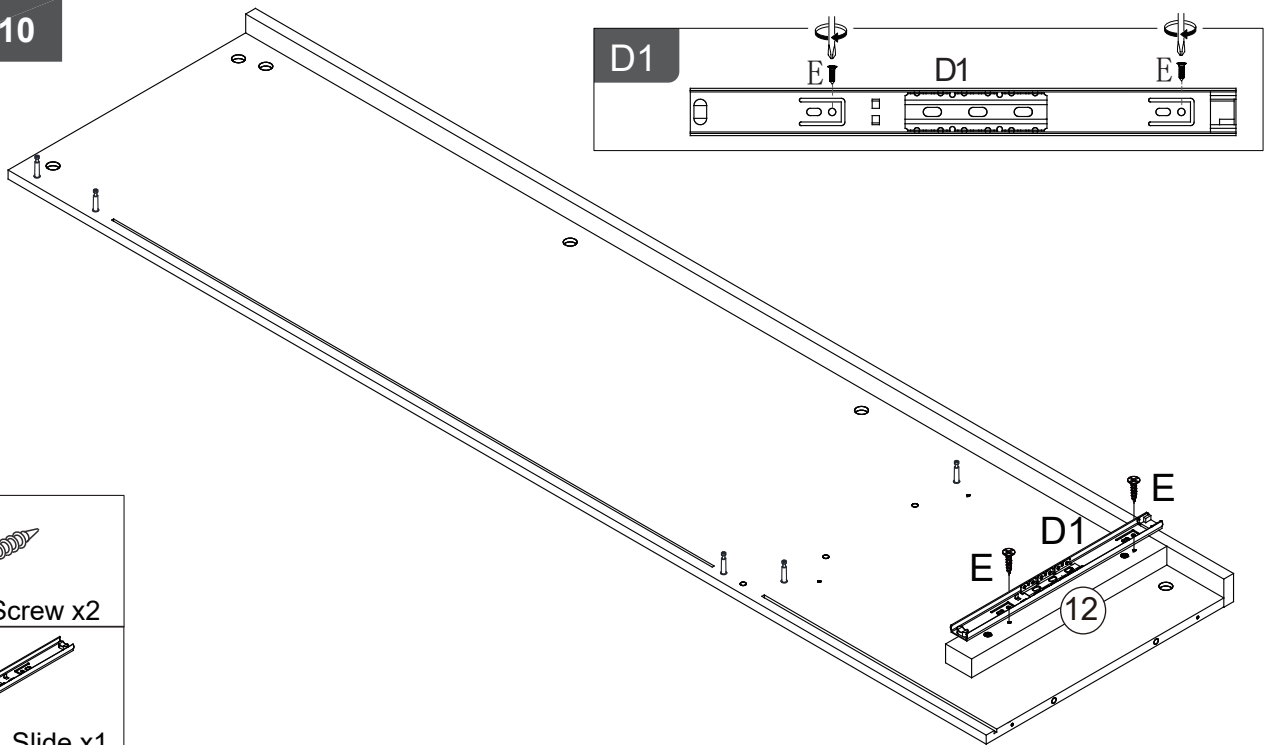
4*30mm Screw x2



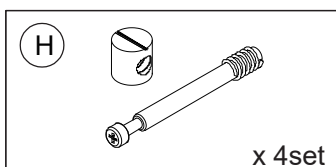
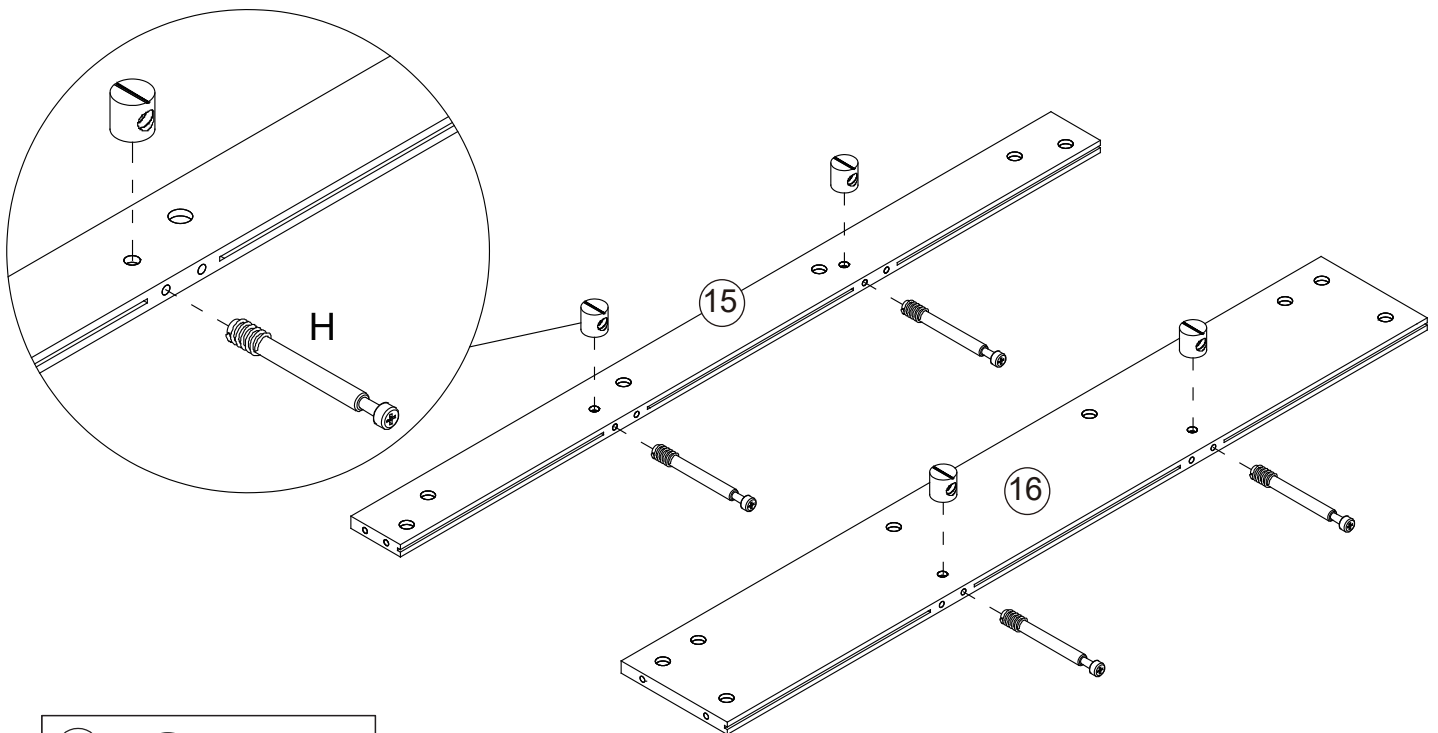
6*30mm Dowel x 2

Assembly Instructions

Step 10

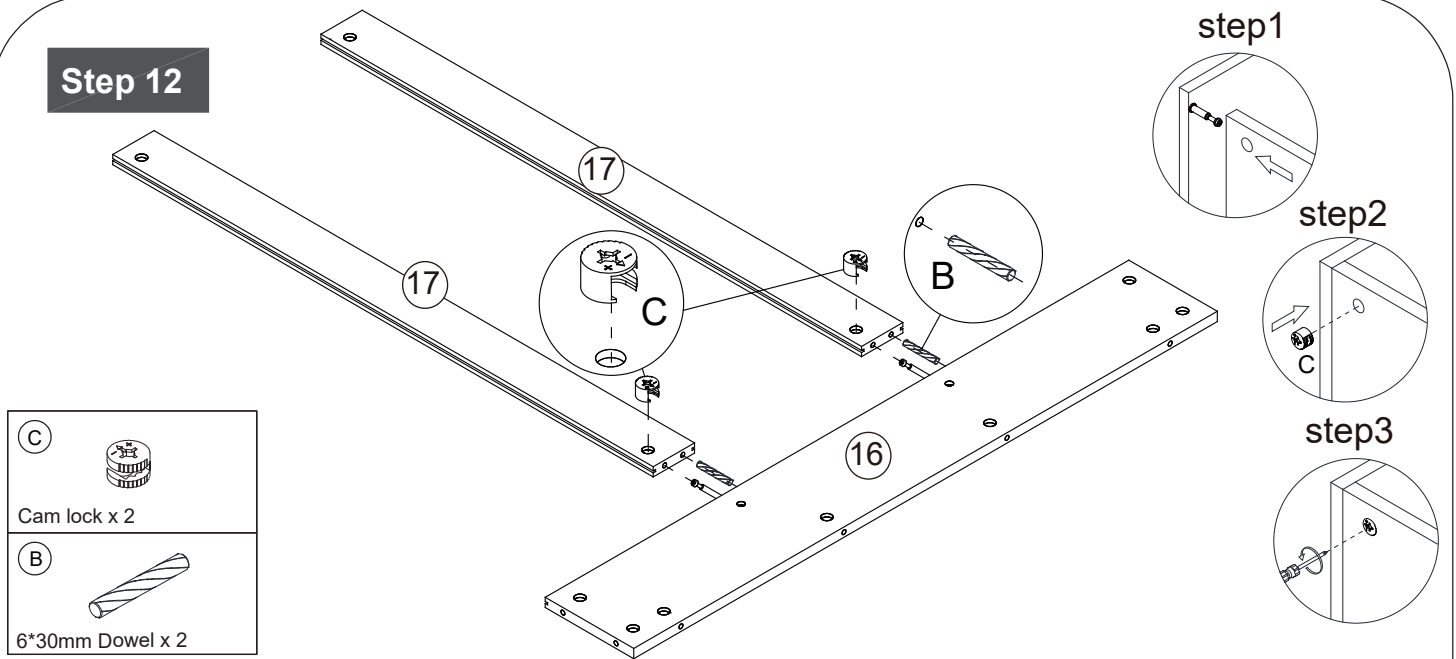


Step 11

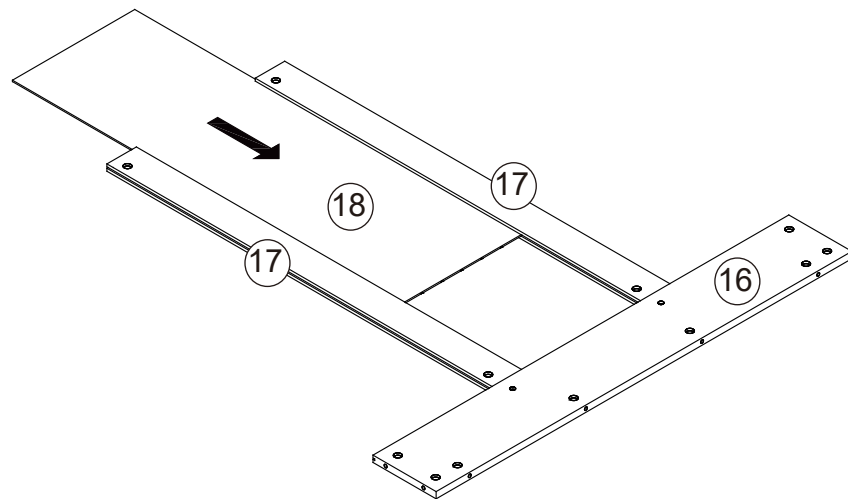


Assembly Instructions

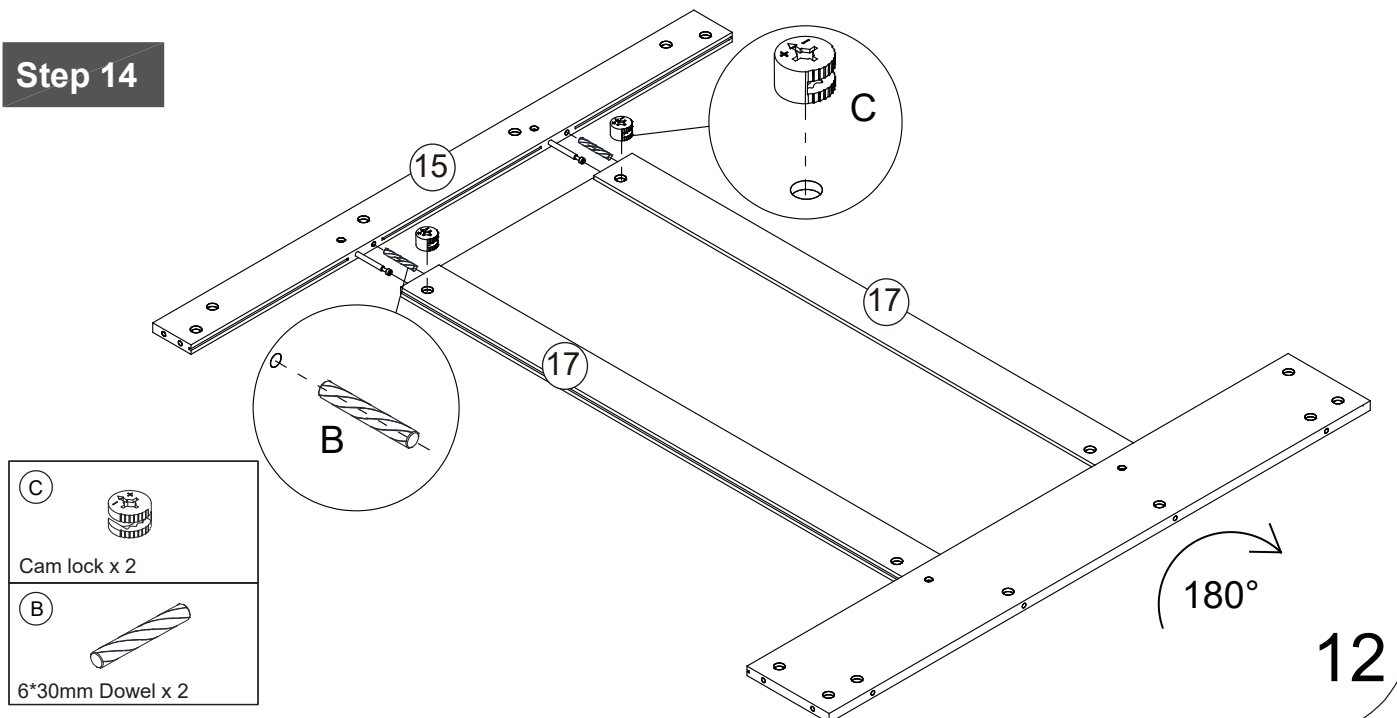
Step 12



Step 13

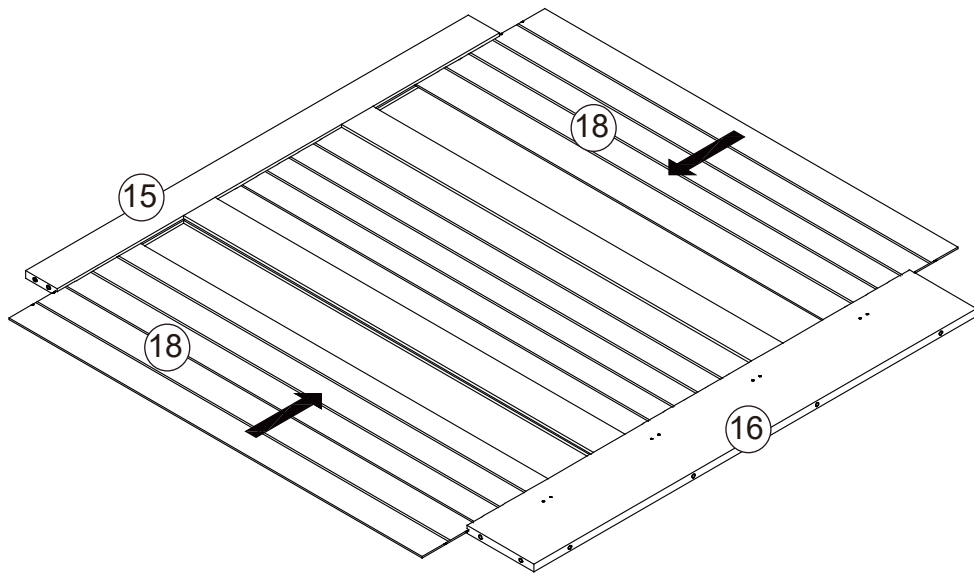


Step 14

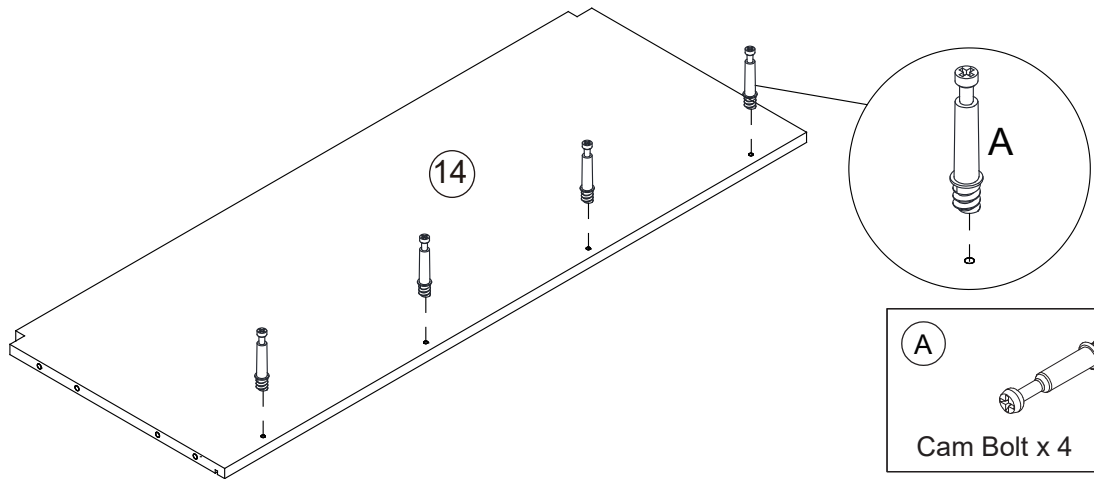


Assembly Instructions

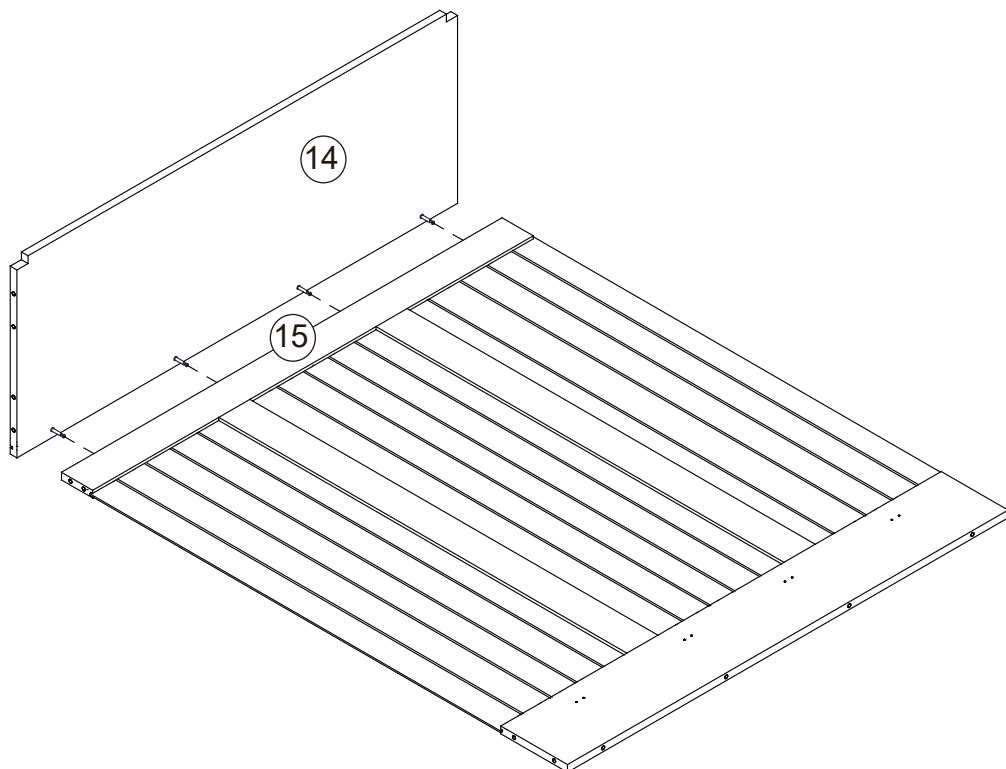
Step 15



Step 16

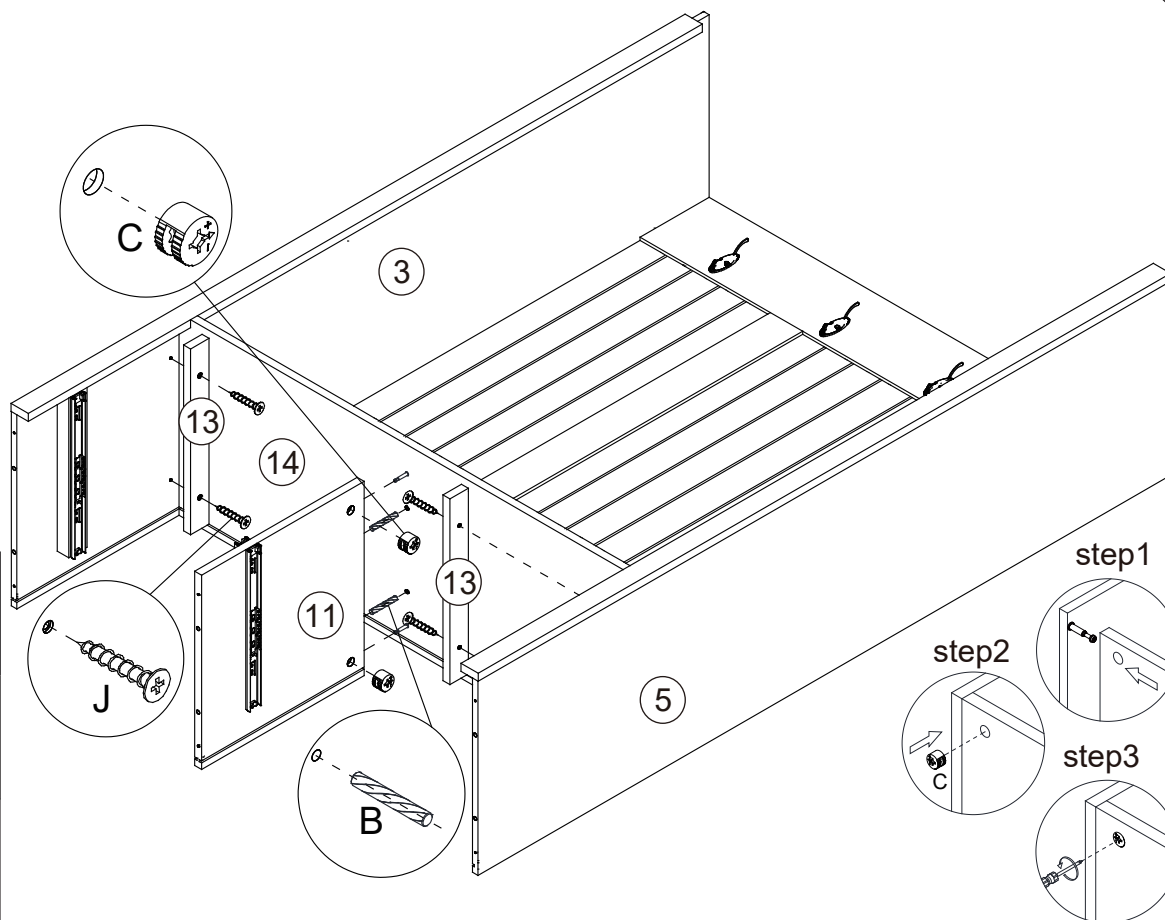


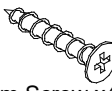

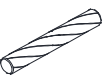
Step 17



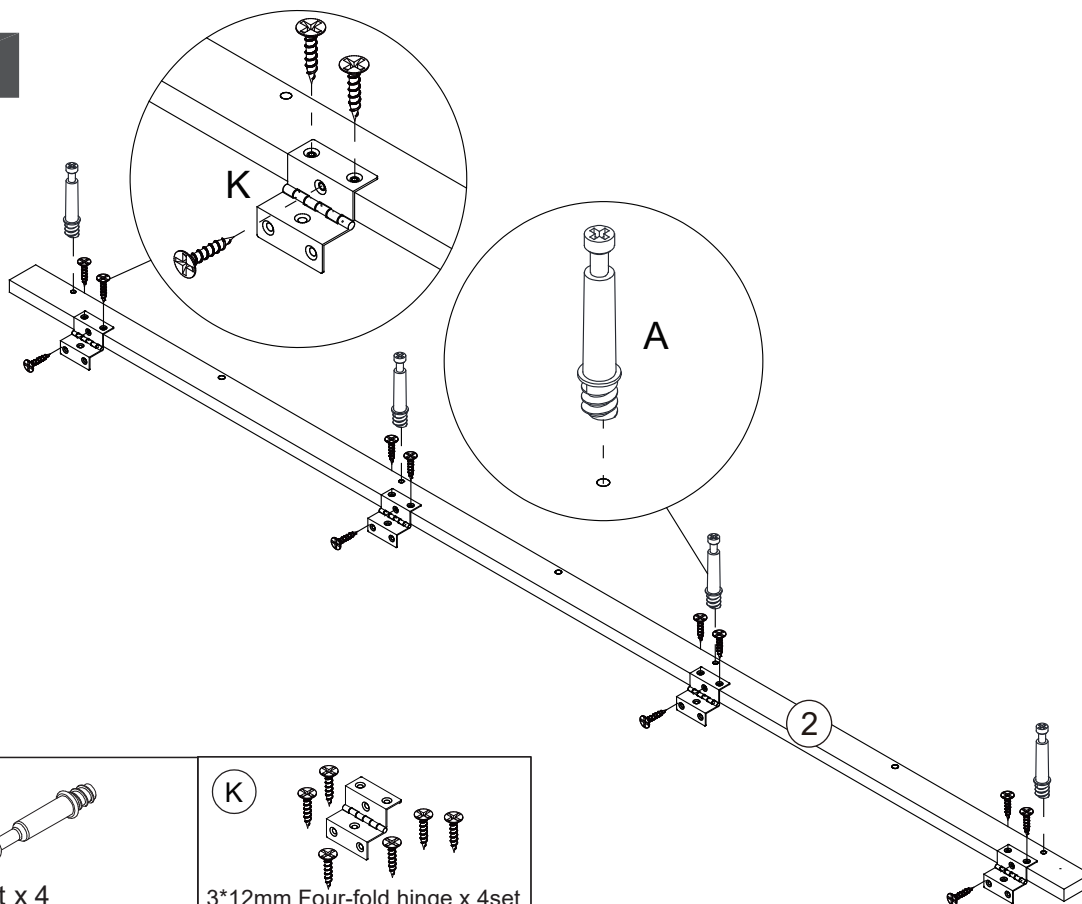
Assembly Instructions

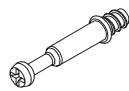
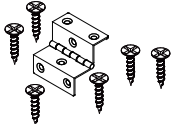
Step 20



J	
4*25mm Screw x4	
C	
Cam lock x 2	
B	
6*30mm Dowel x 2	

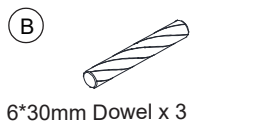
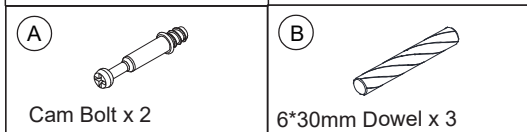
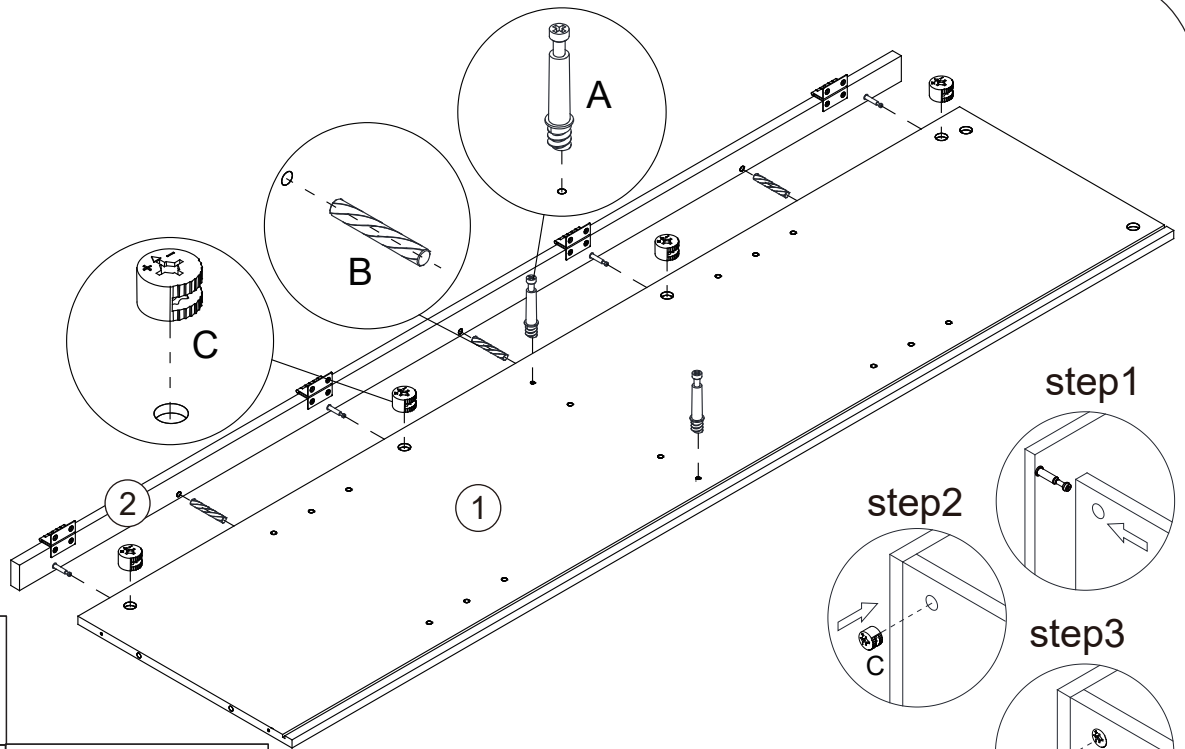
Step 21



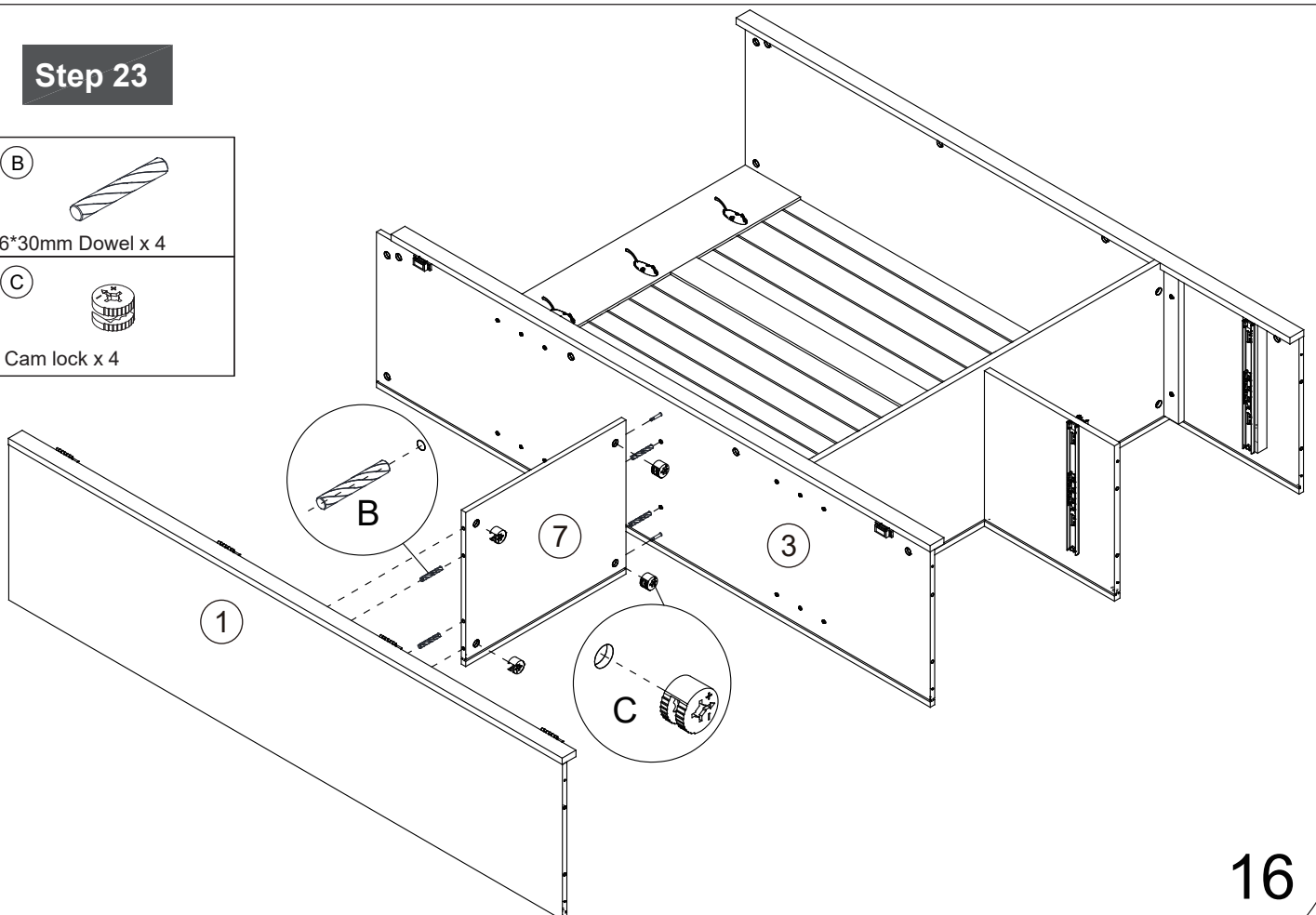
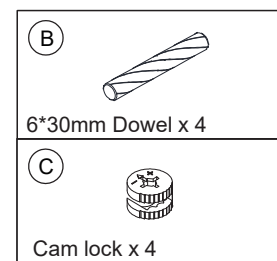
A	
Cam Bolt x 4	
K	
3*12mm Four-fold hinge x 4set	

Assembly Instructions

Step 22

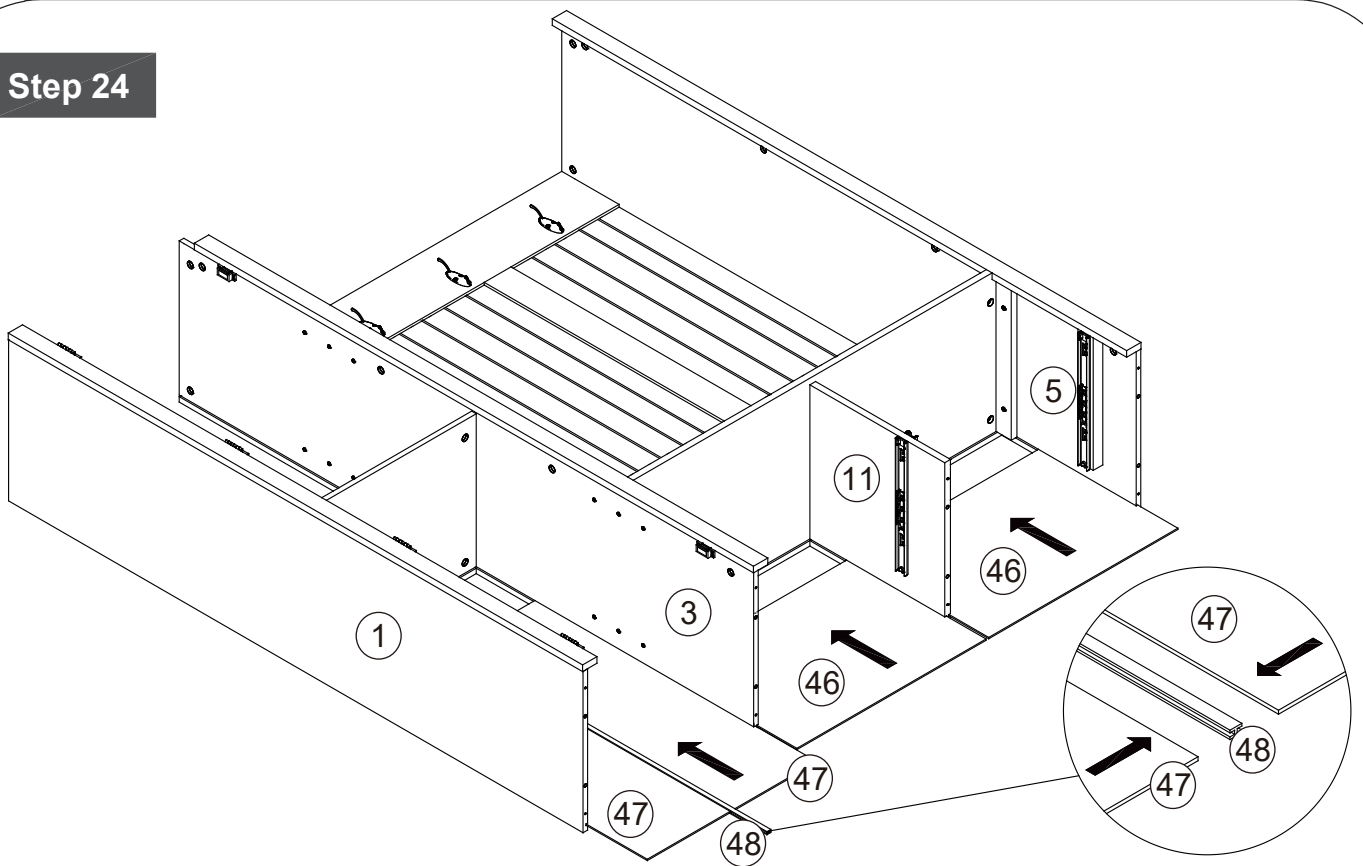


Step 23

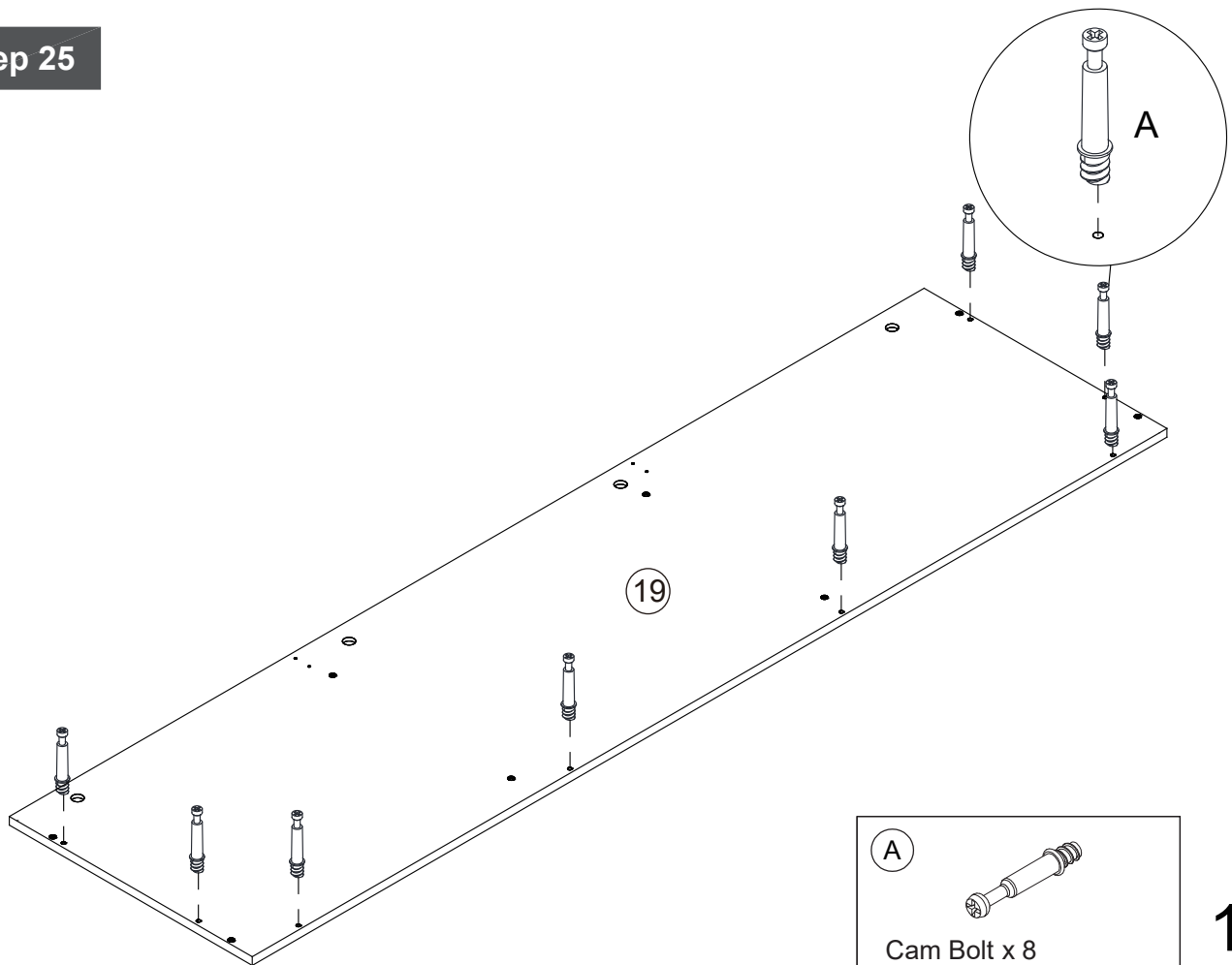


Assembly Instructions

Step 24

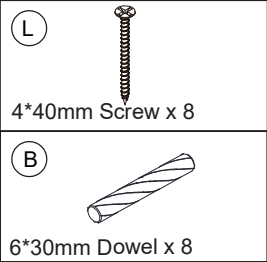
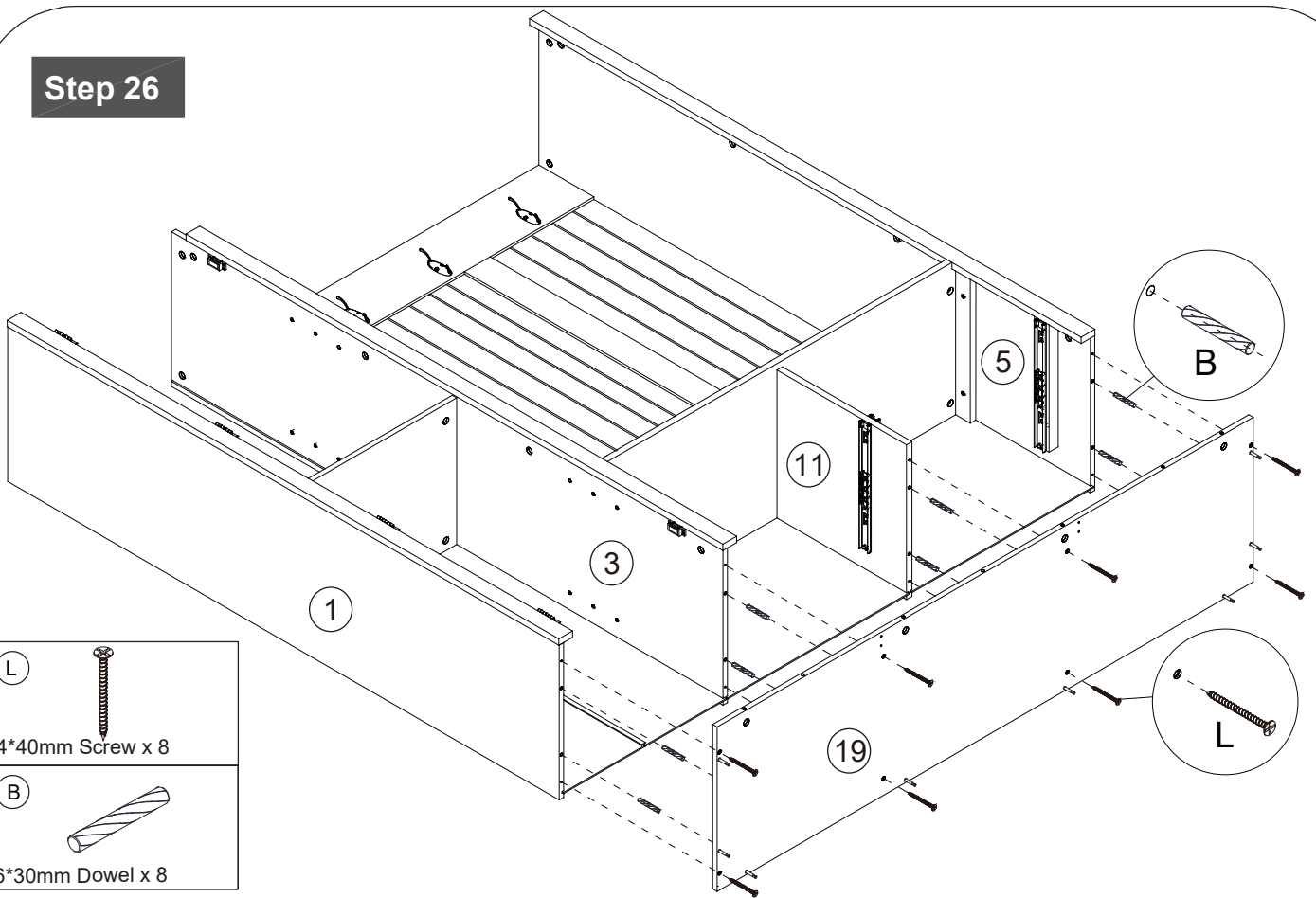


Step 25

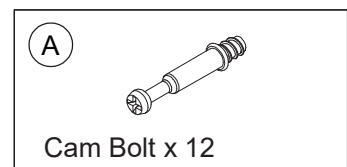
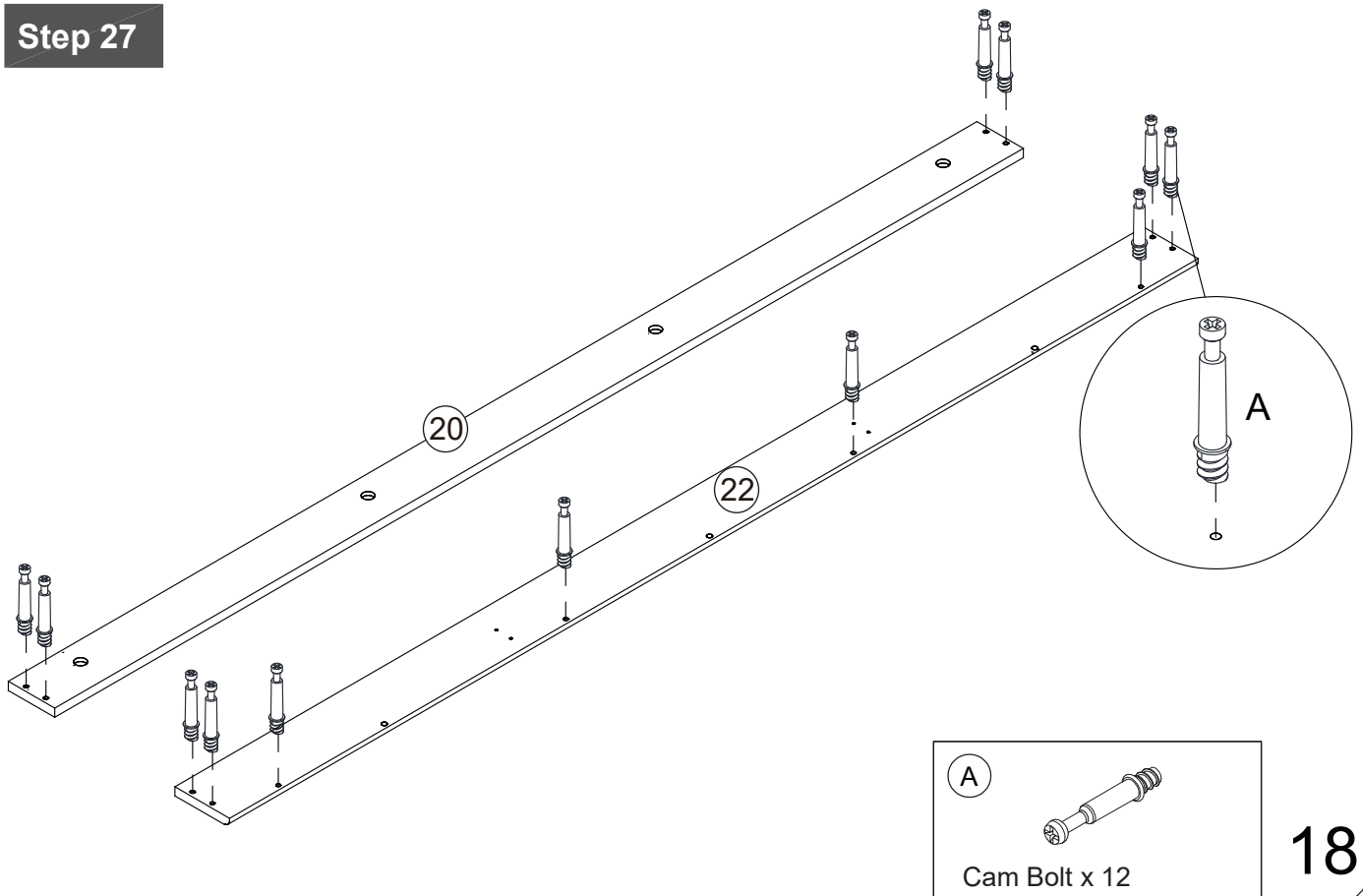


Assembly Instructions

Step 26

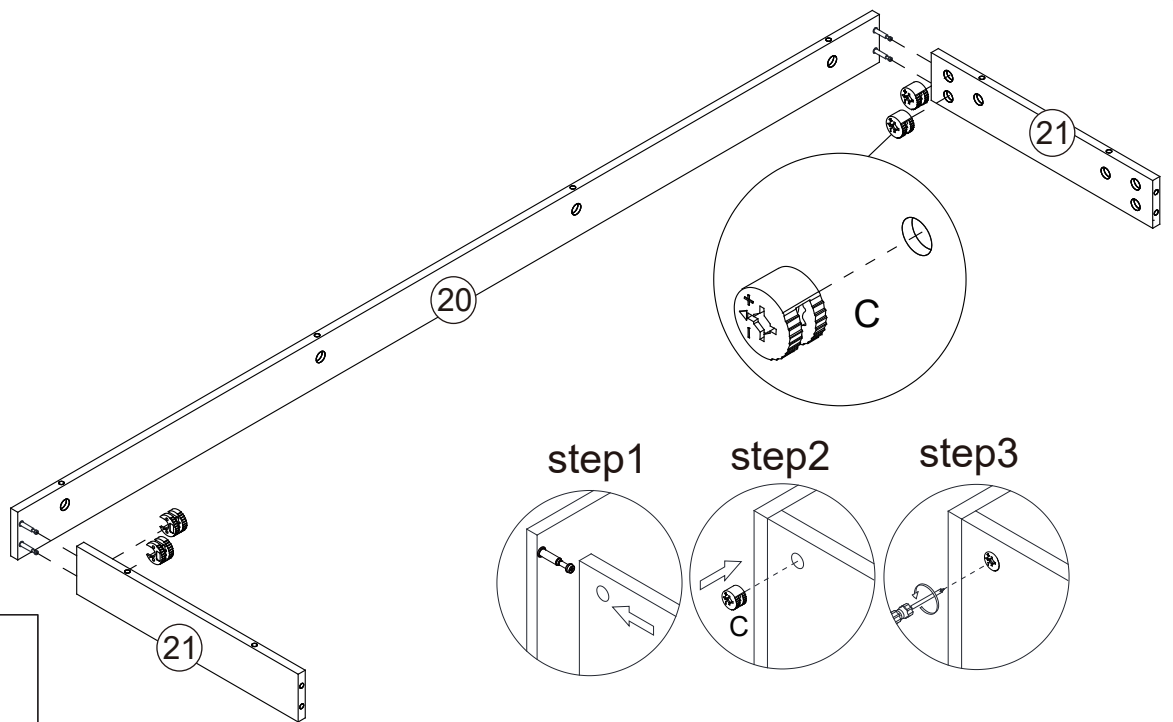


Step 27

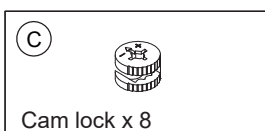
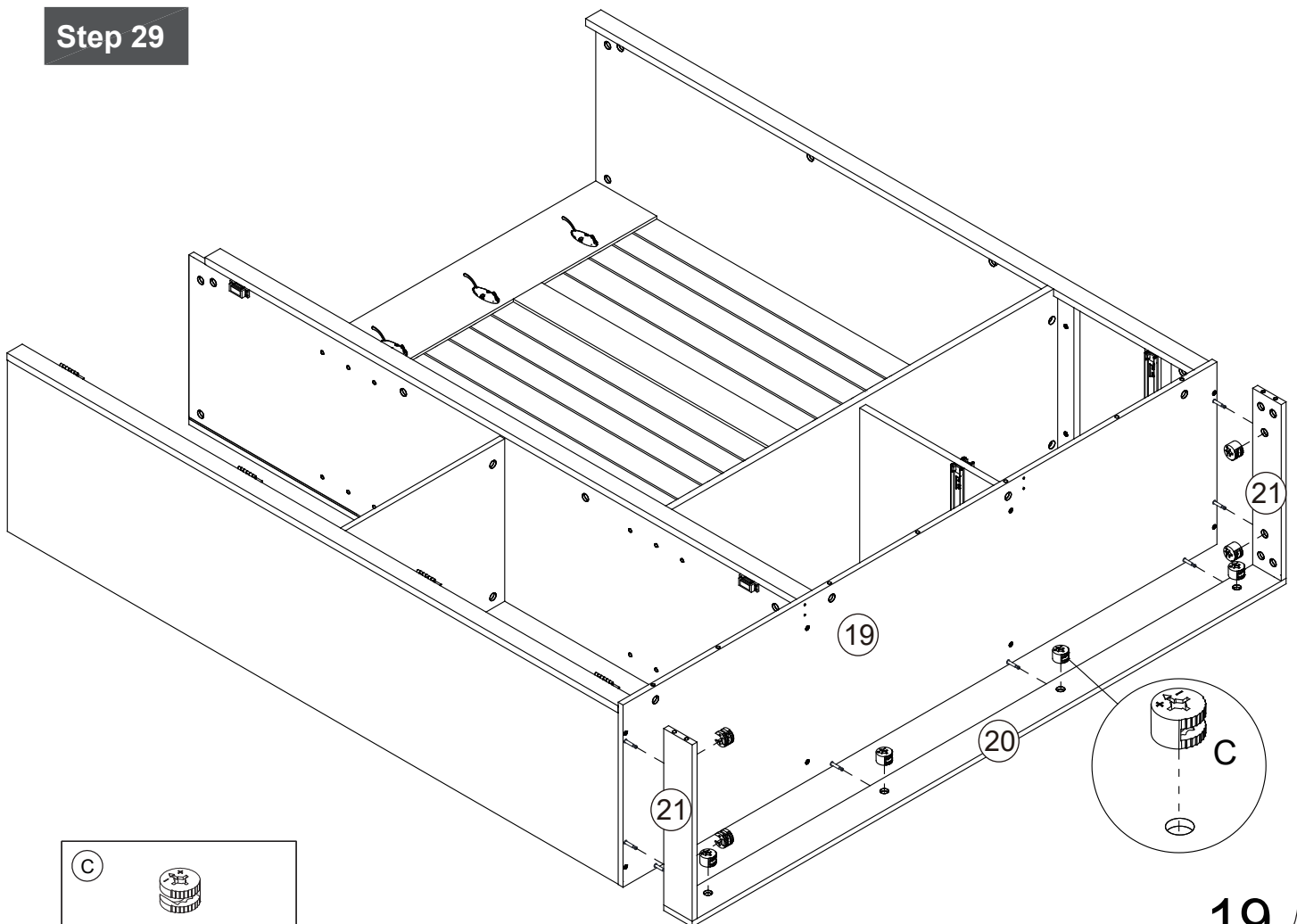


Assembly Instructions

Step 28

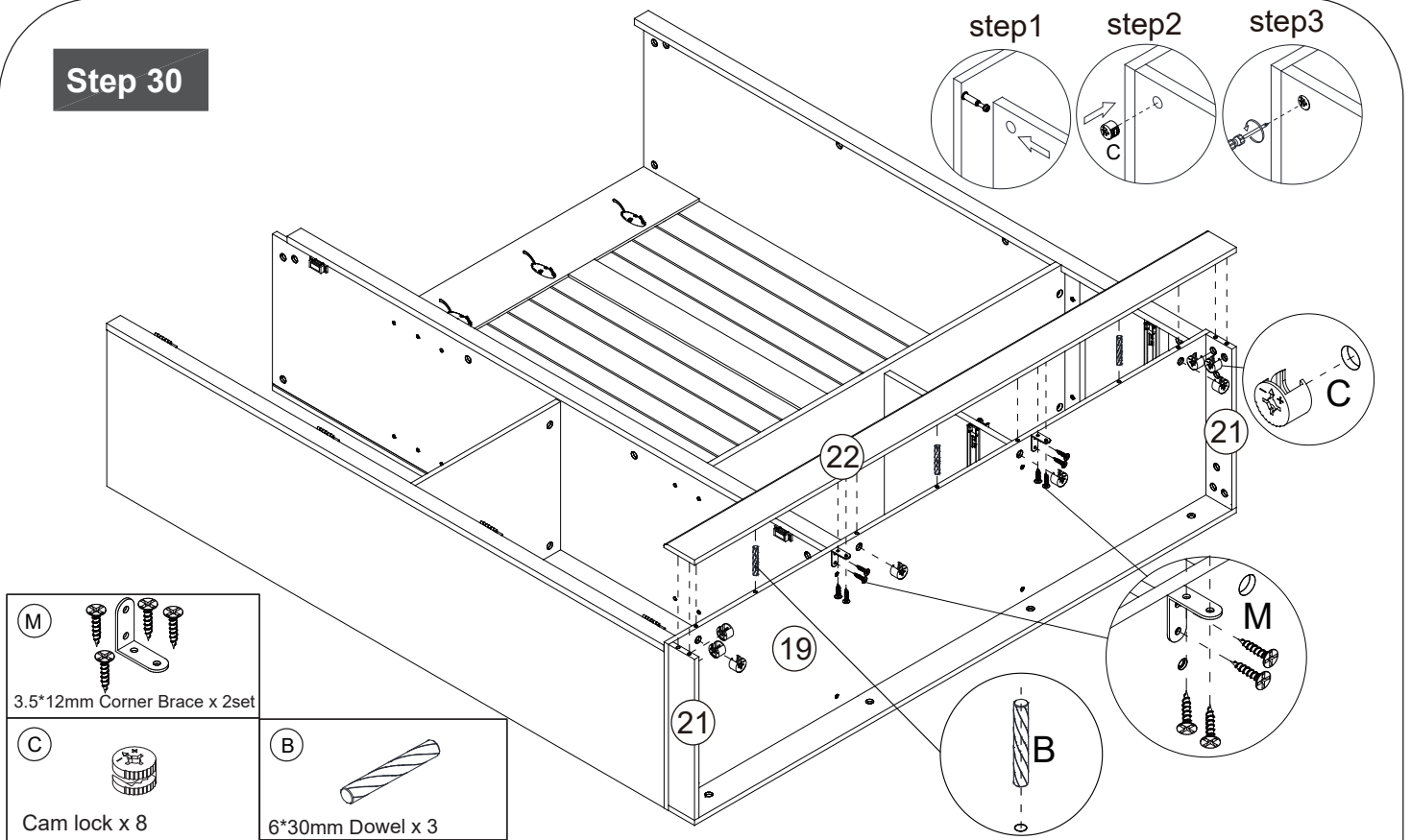


Step 29

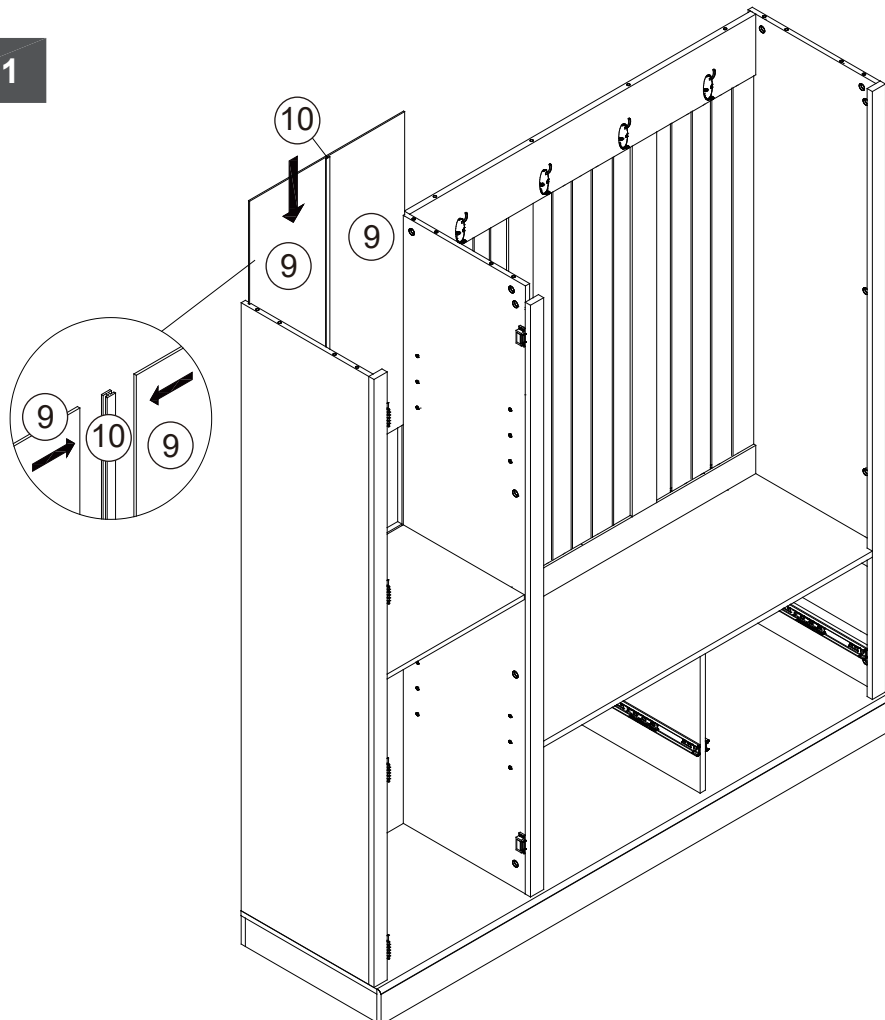


Assembly Instructions

Step 30

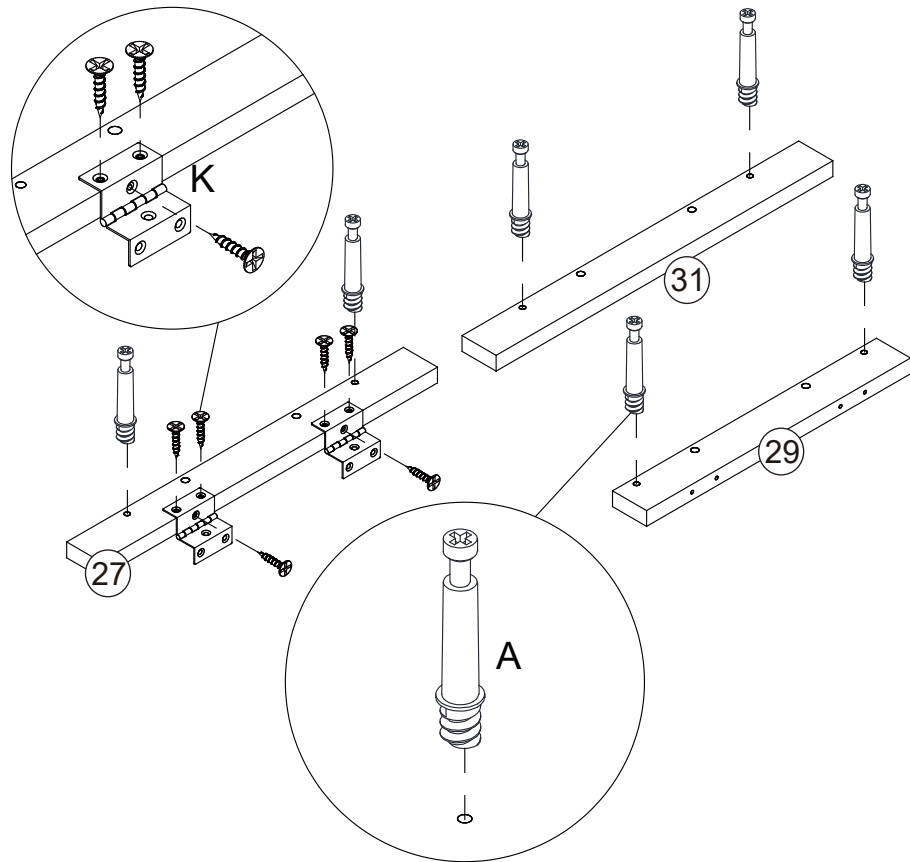


Step 31

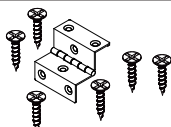


Assembly Instructions

Step 32

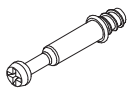


K



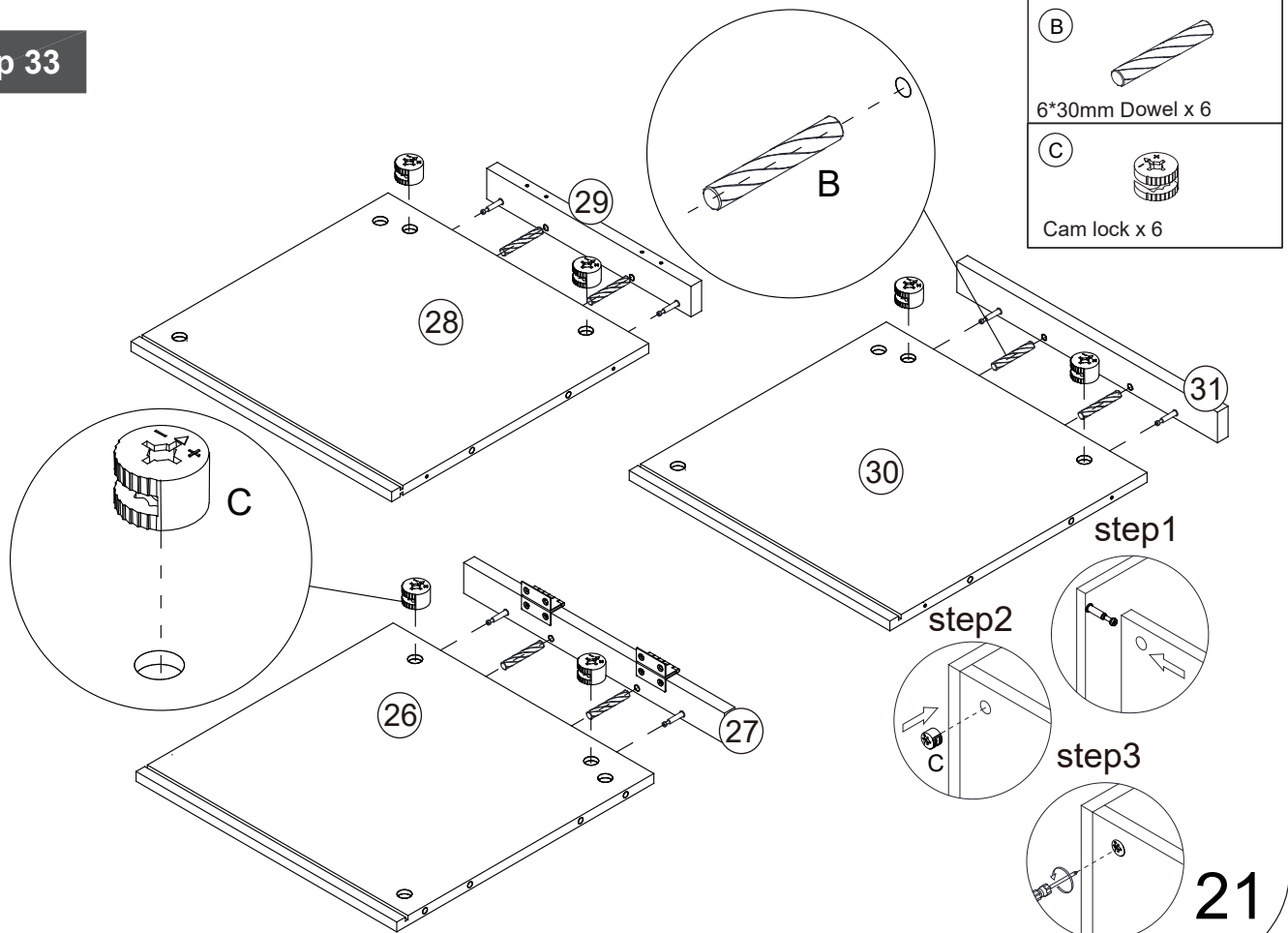
3*12mm Four-fold hinge x 2set

A



Cam Bolt x 6

Step 33



B



6*30mm Dowel x 6

C



Cam lock x 6

step1

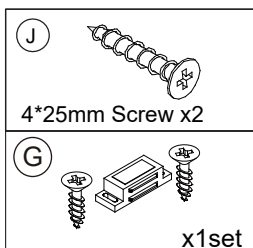
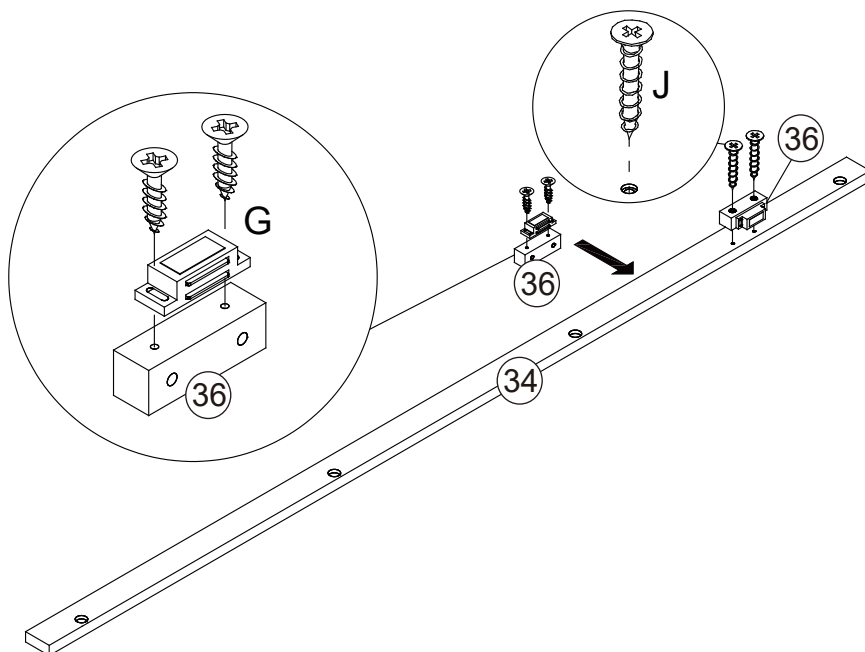
step2

step3

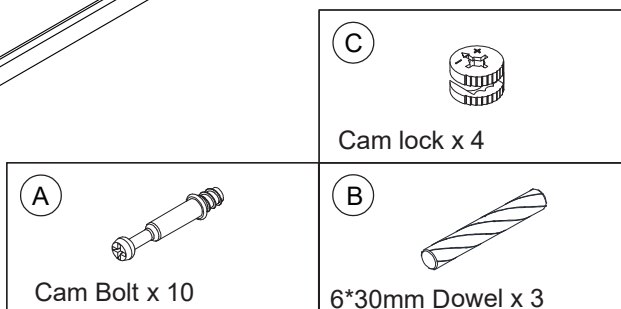
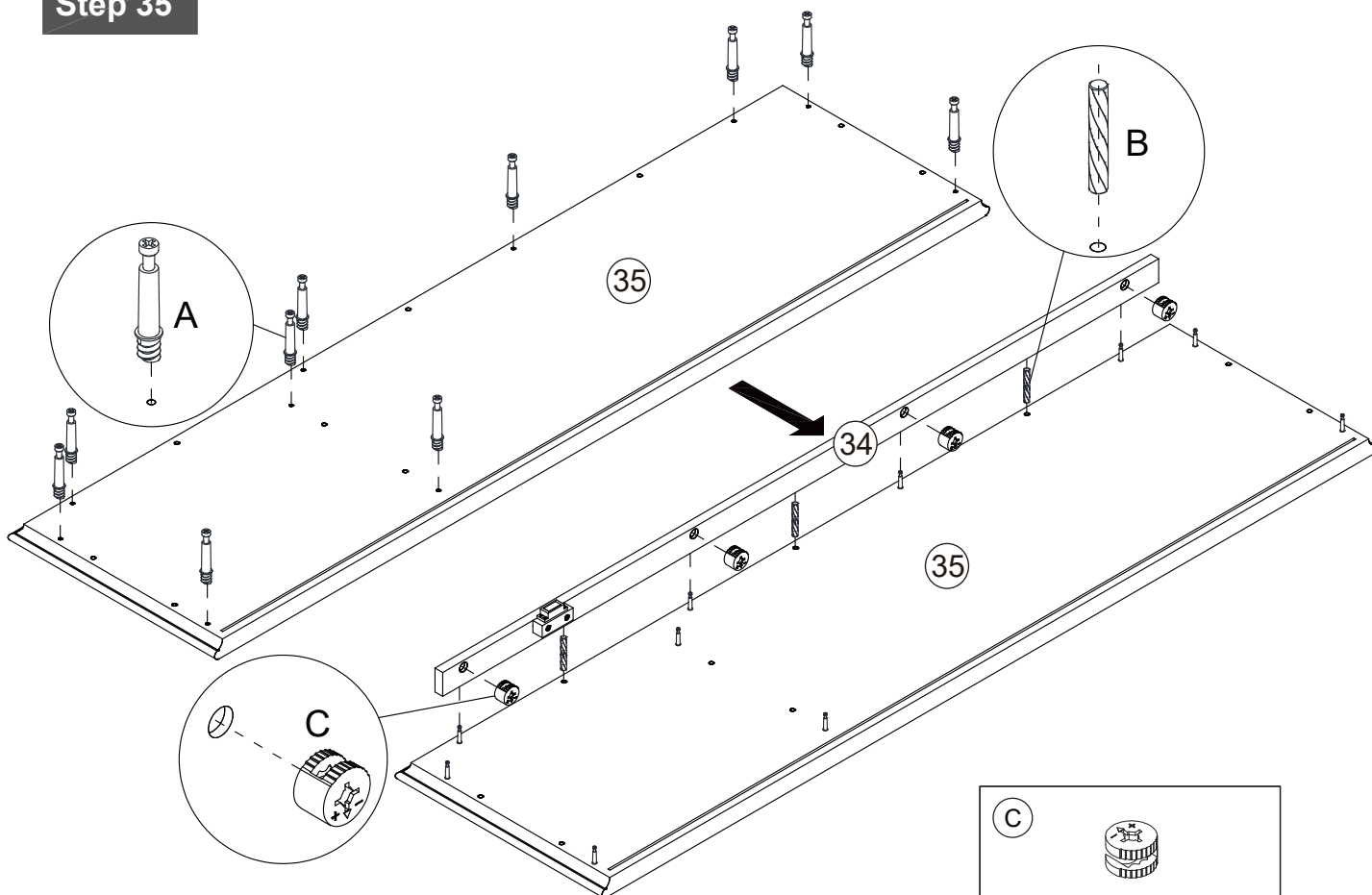
21

Assembly Instructions

Step 34

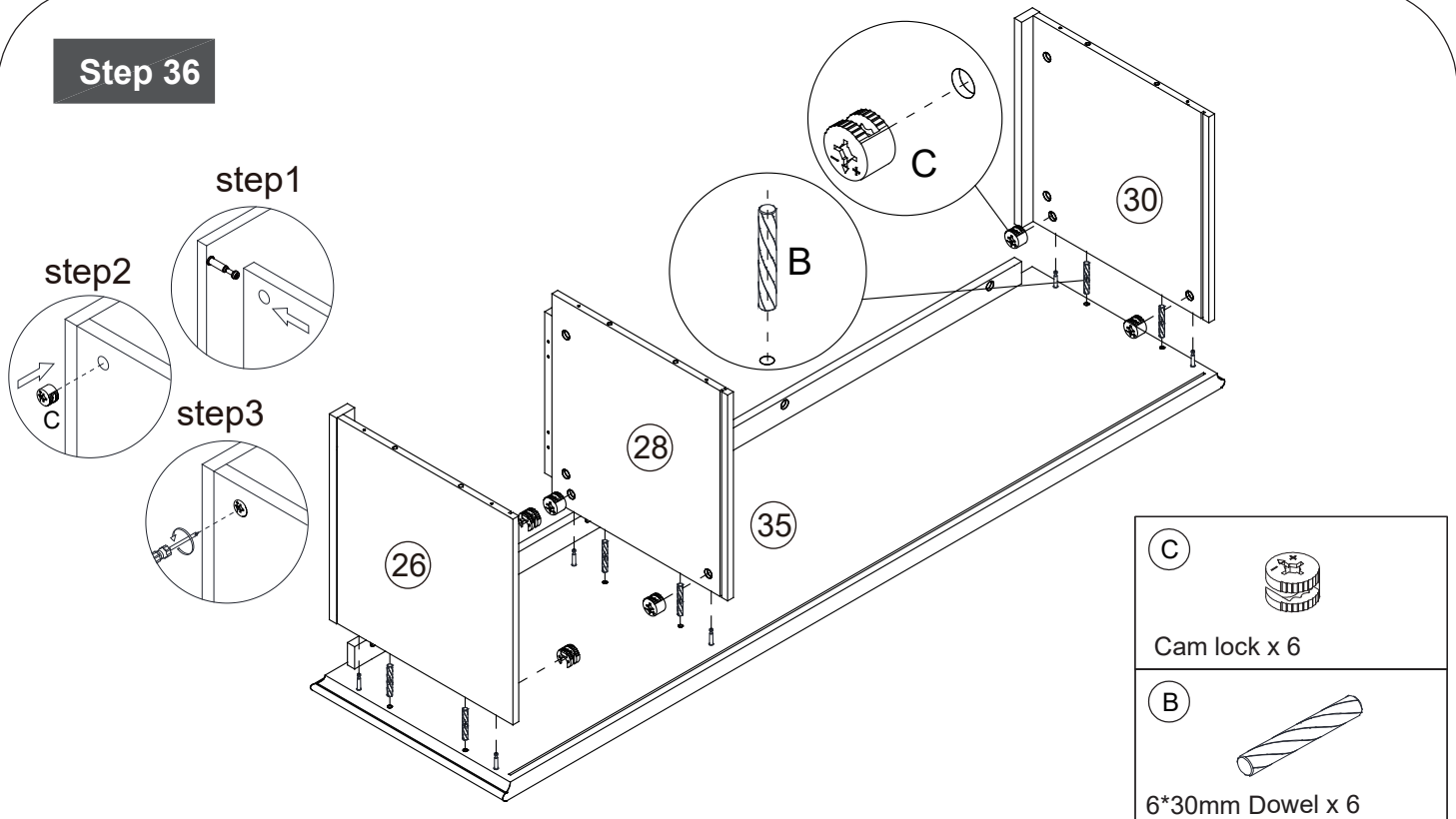


Step 35

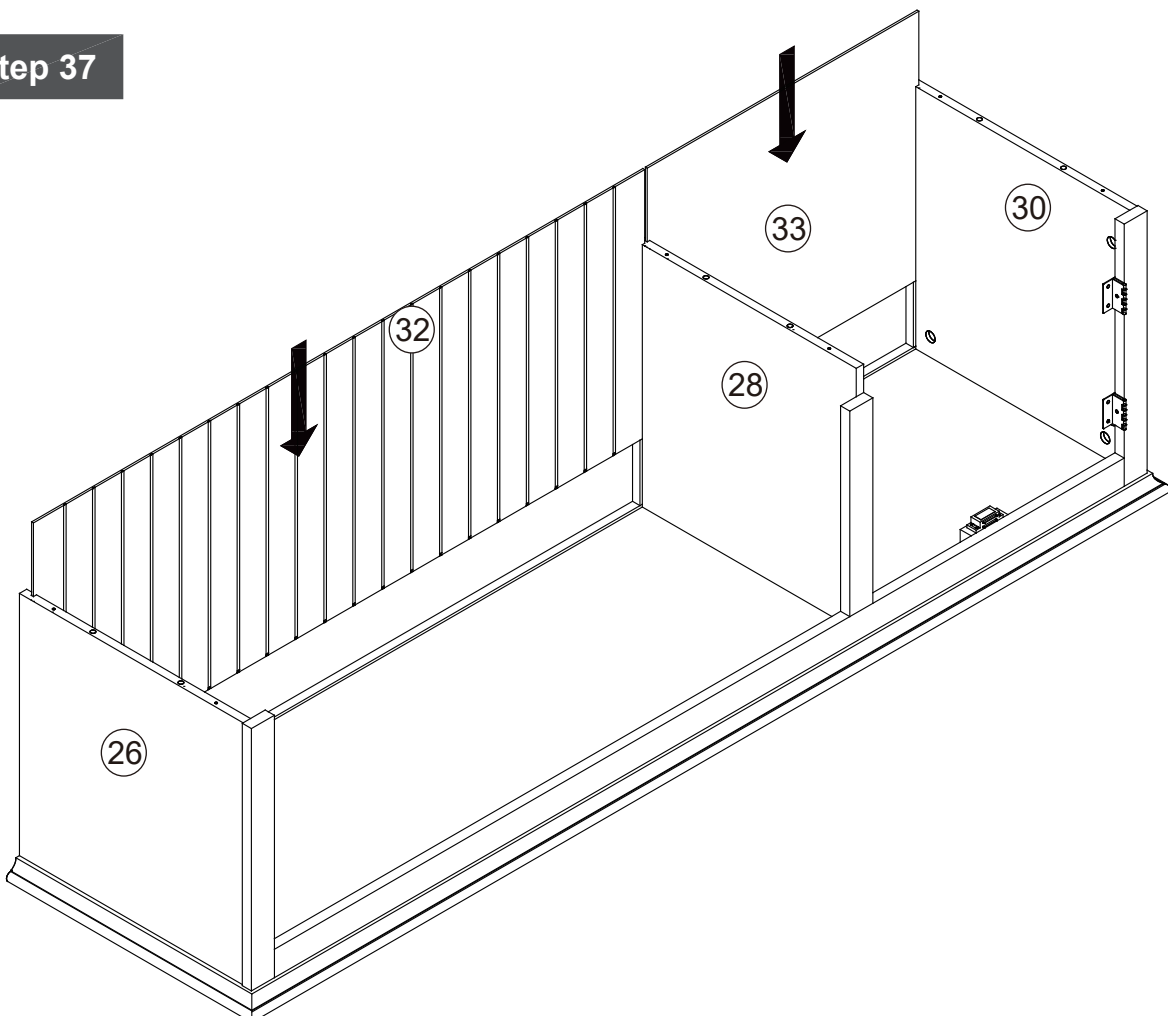


Assembly Instructions

Step 36

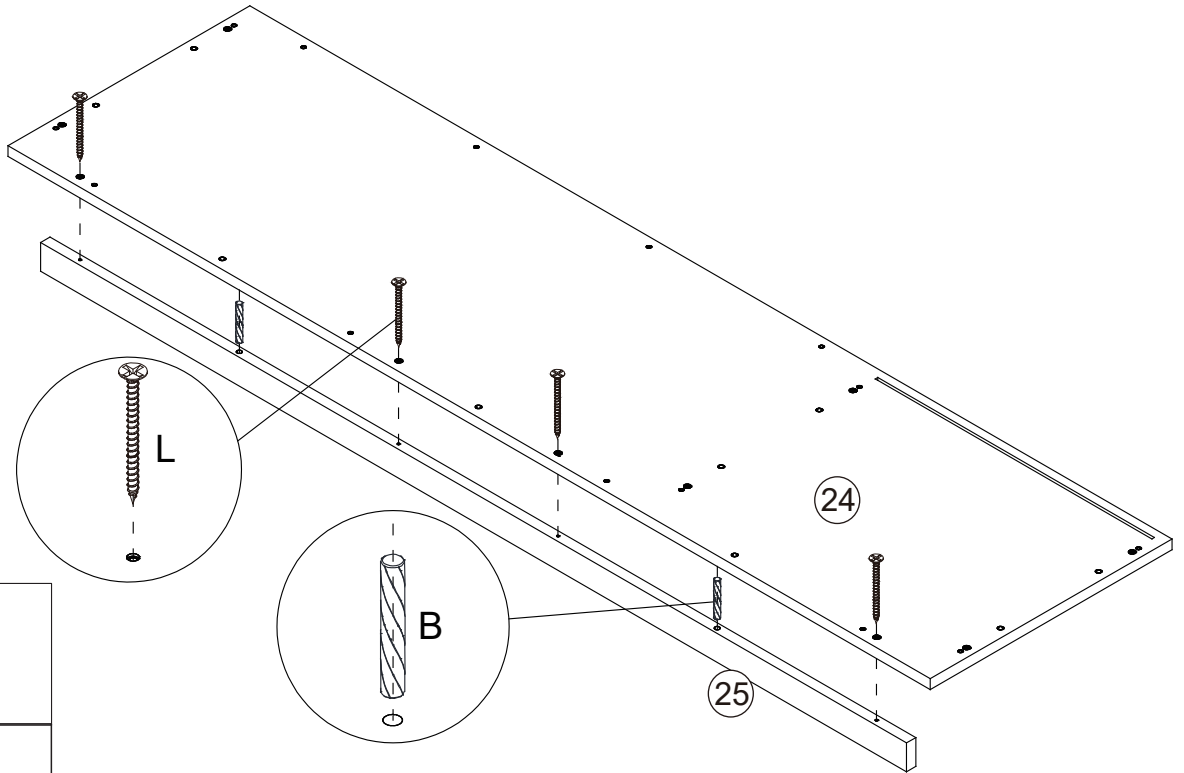


Step 37



Assembly Instructions

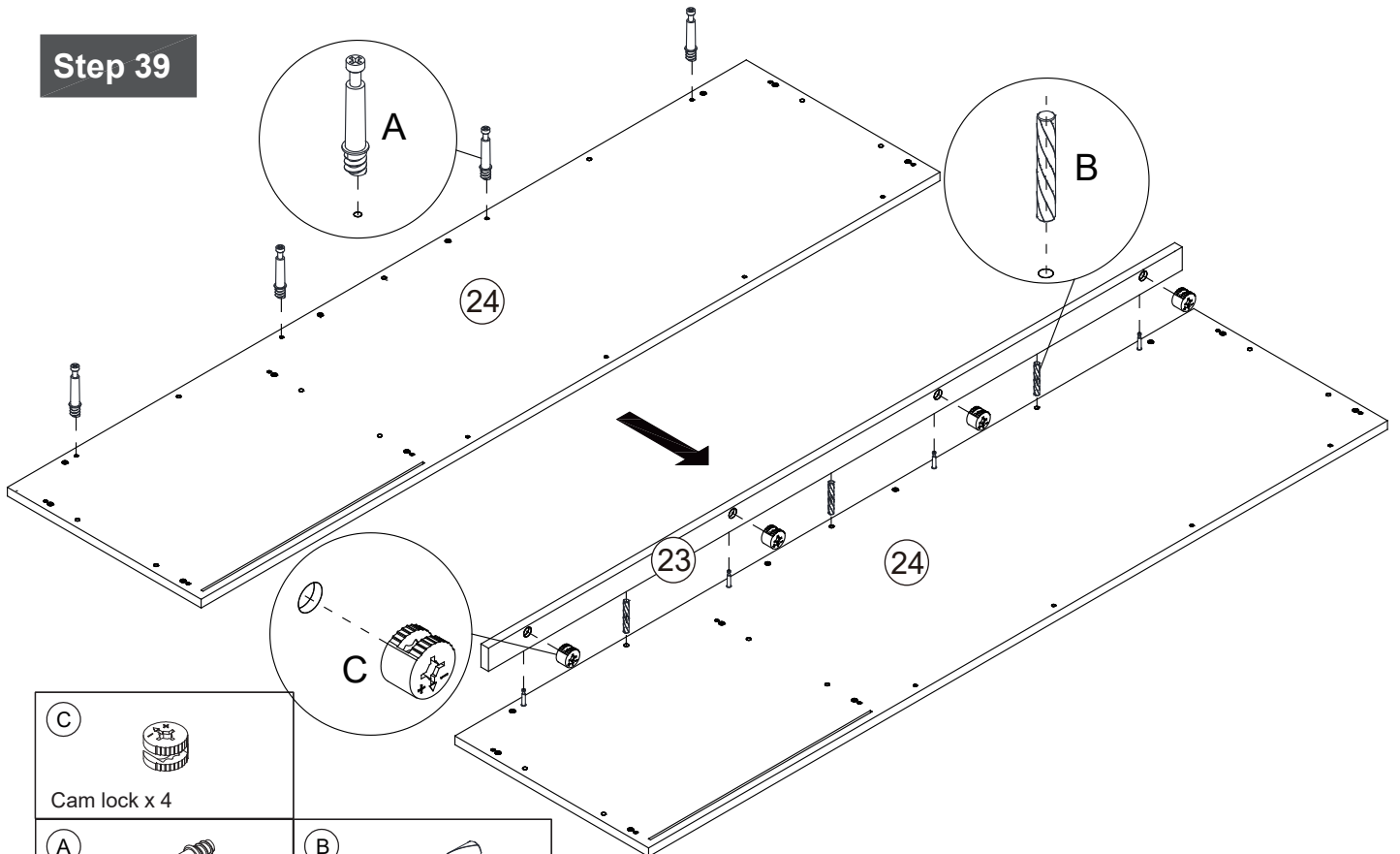
Step 38



(L)
4*40mm Screw x 4

(B)
6*30mm Dowel x 2

Step 39



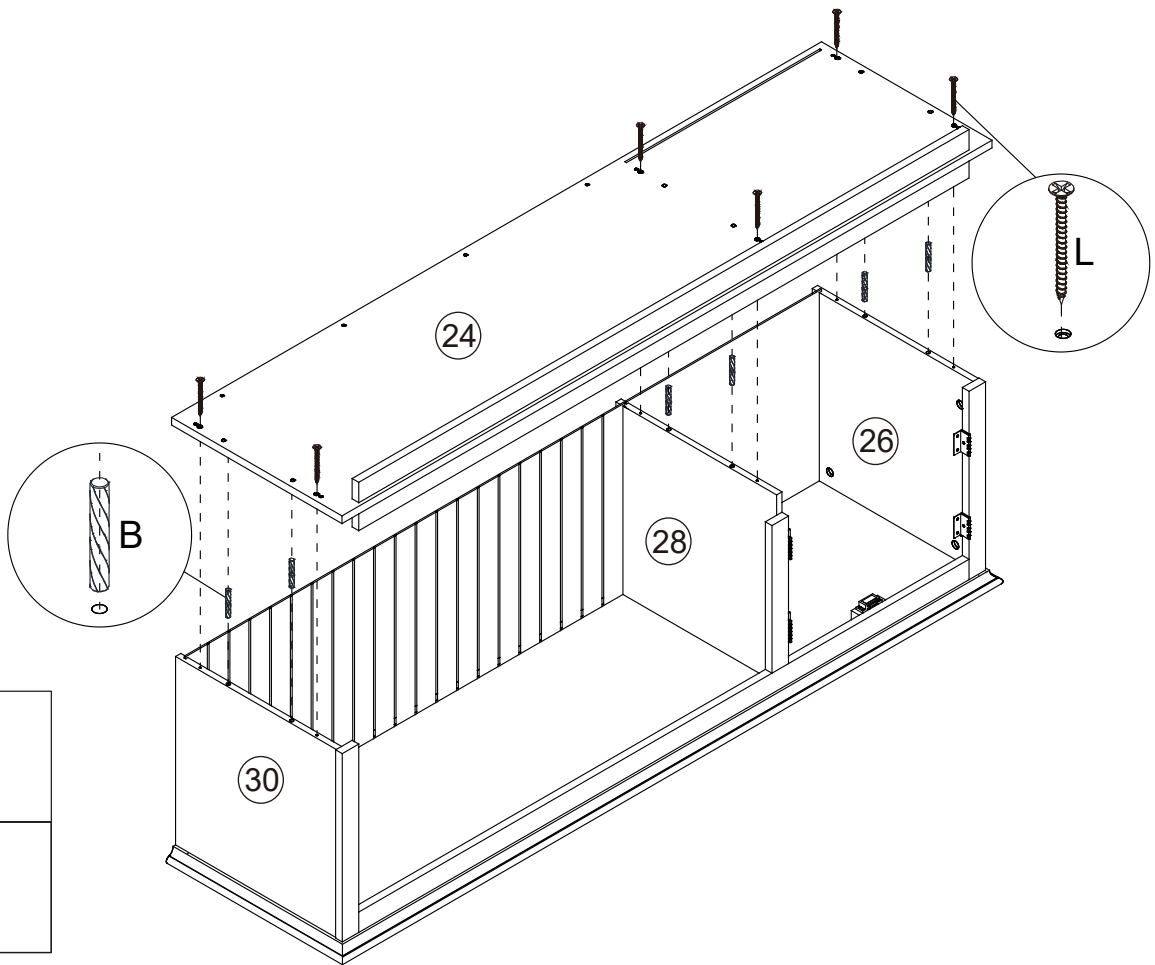
(C)
Cam lock x 4

(A)
Cam Bolt x 4

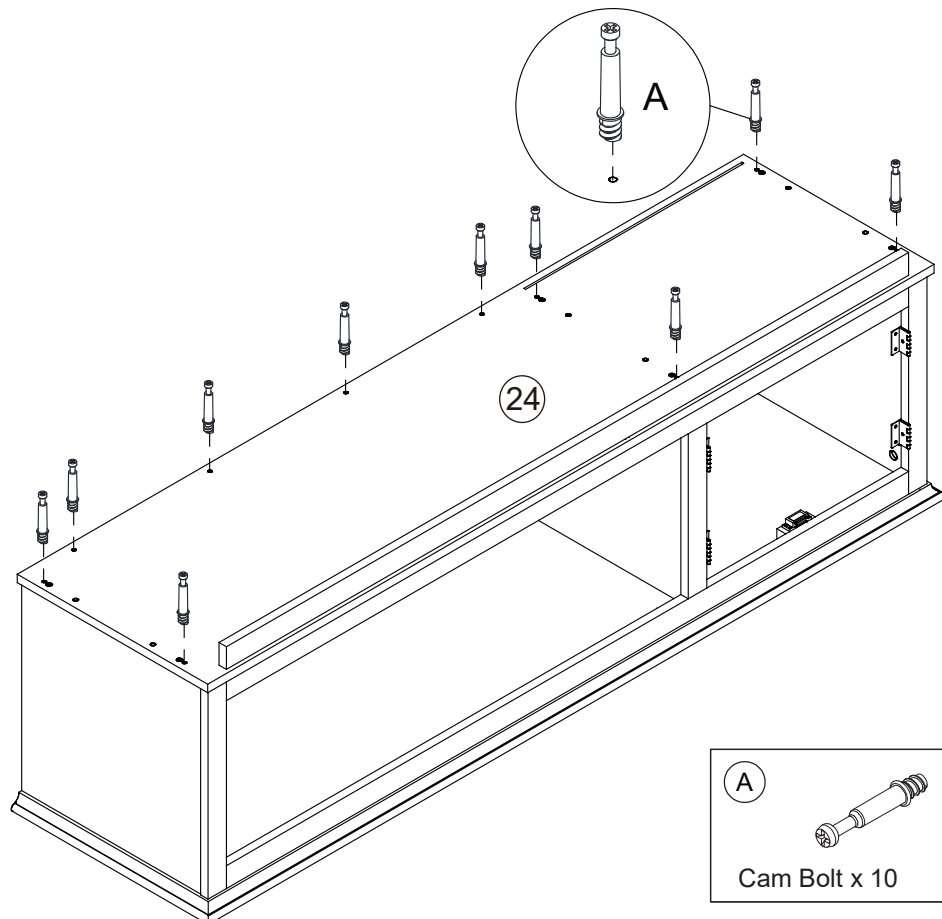
(B)
6*30mm Dowel x 3

Assembly Instructions

Step 40

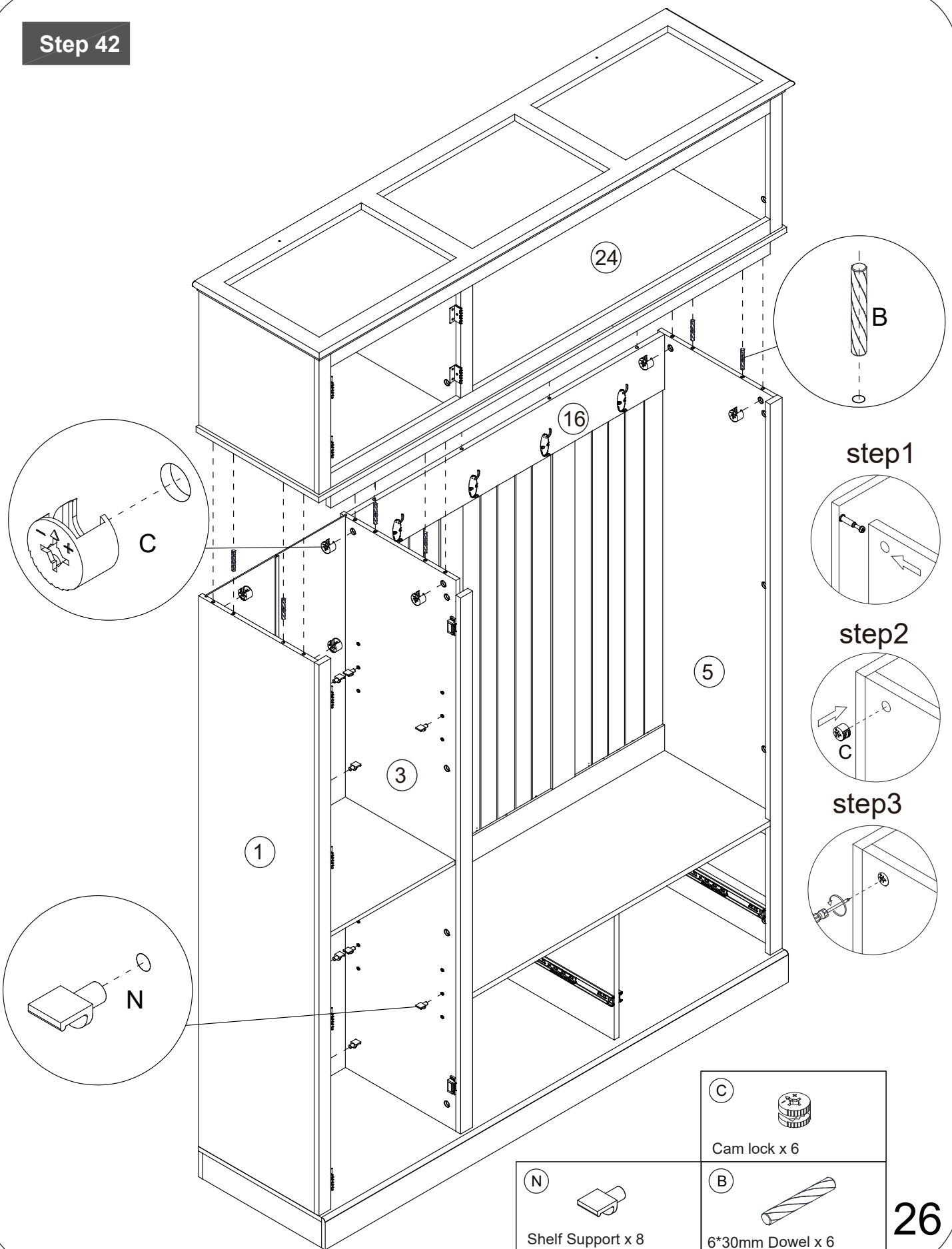


Step 41



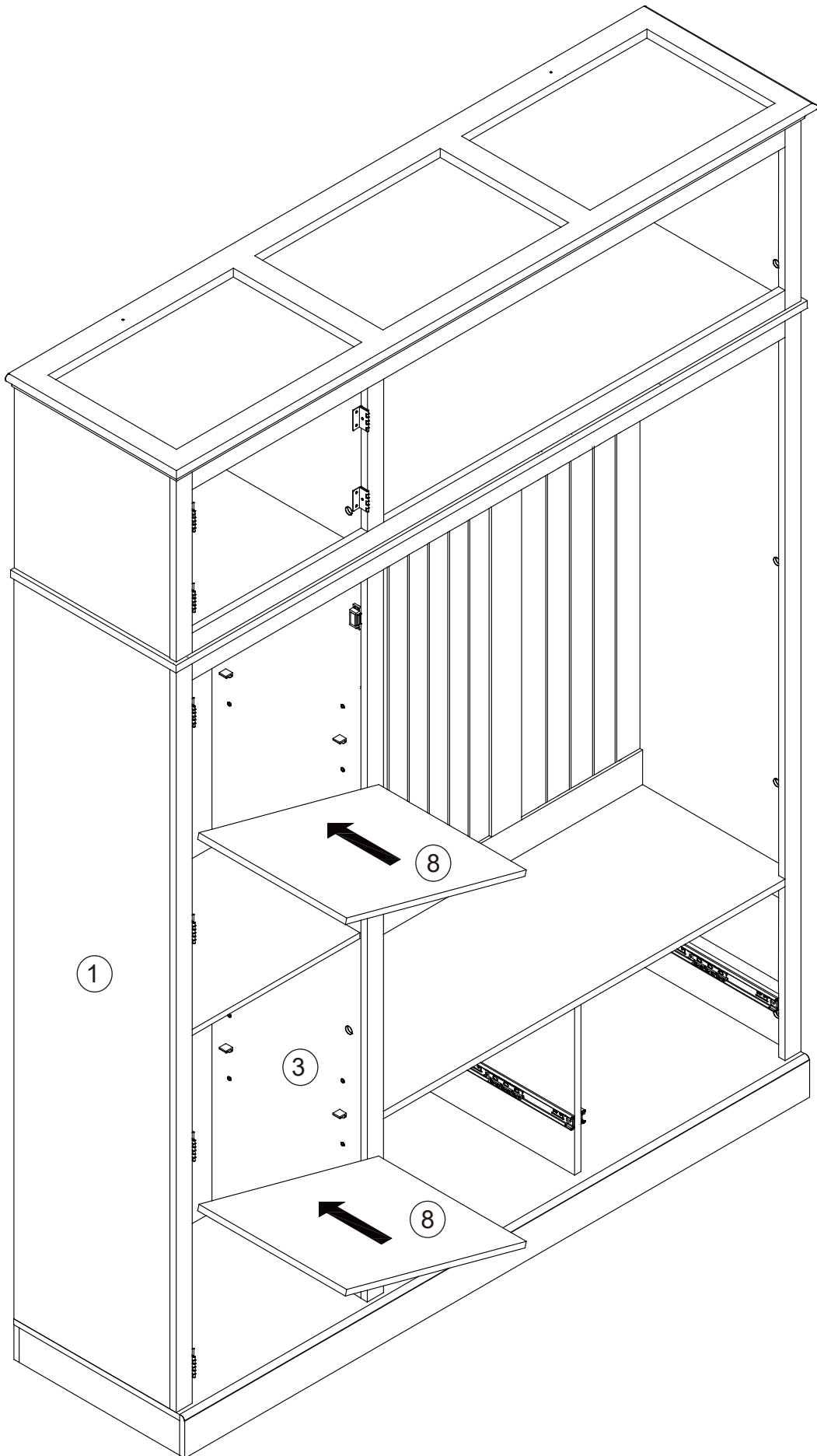
Assembly Instructions

Step 42



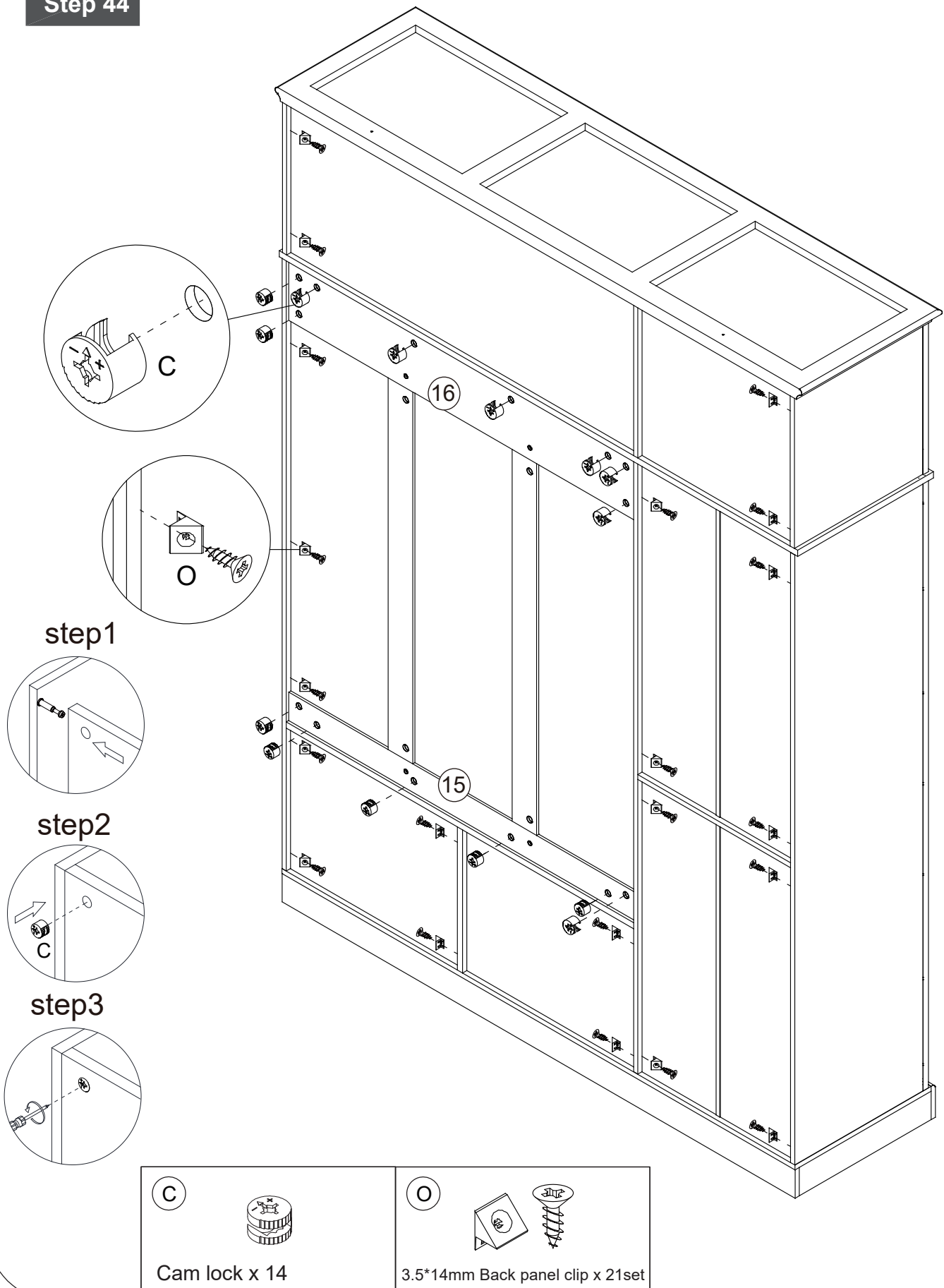
Assembly Instructions

Step 43



Assembly Instructions

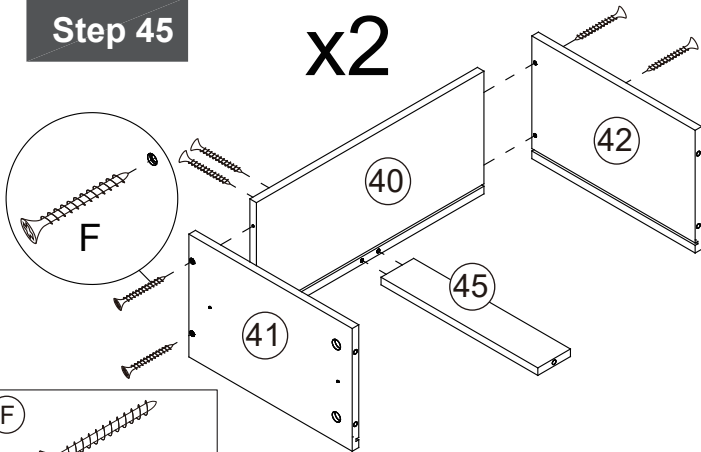
Step 44



Assembly Instructions

Step 45

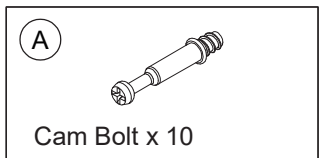
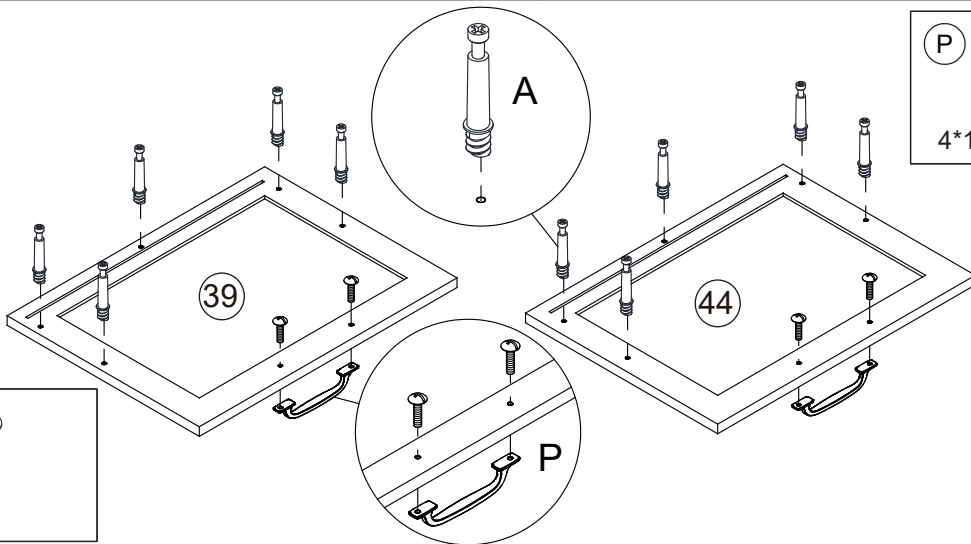
x2



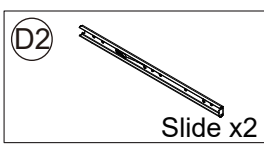
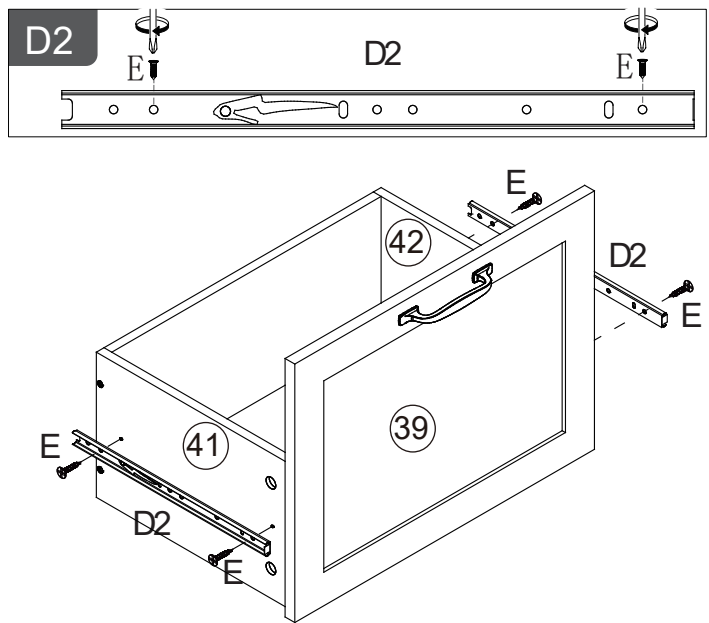
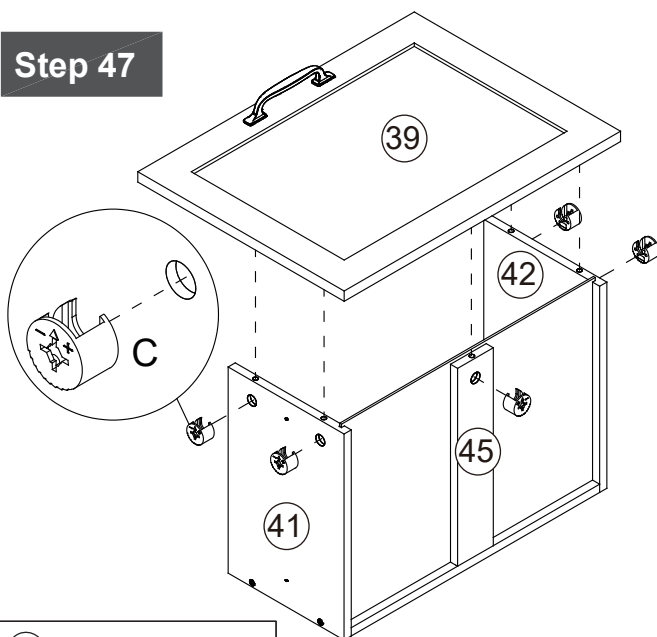
x2



Step 46

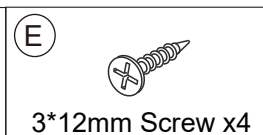
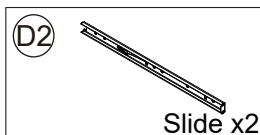
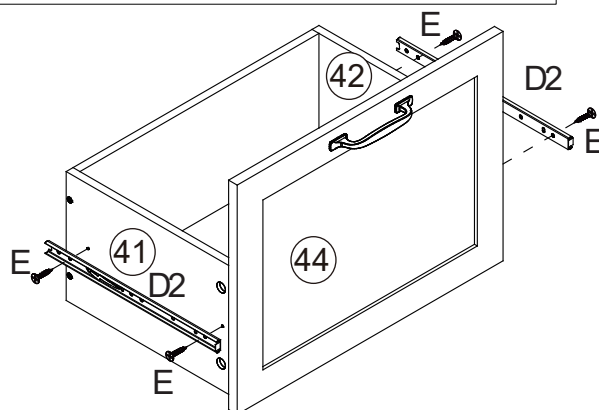
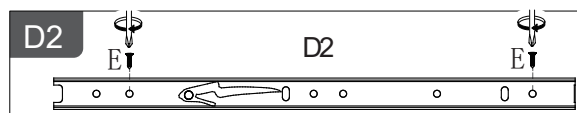
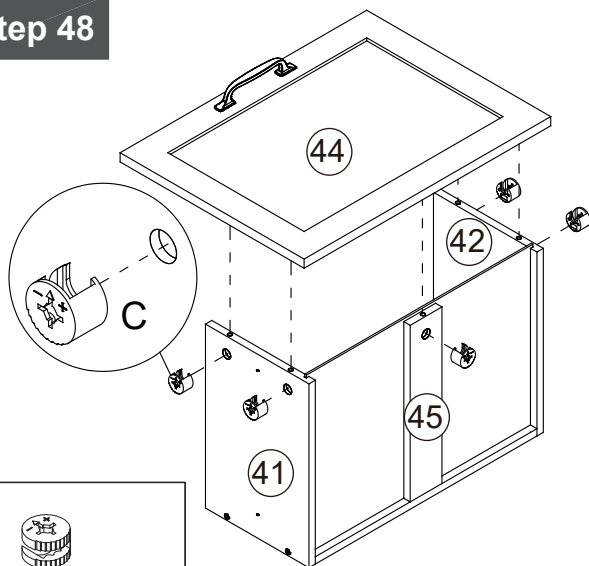


Step 47

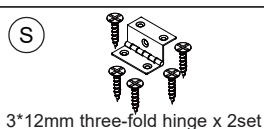
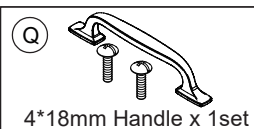
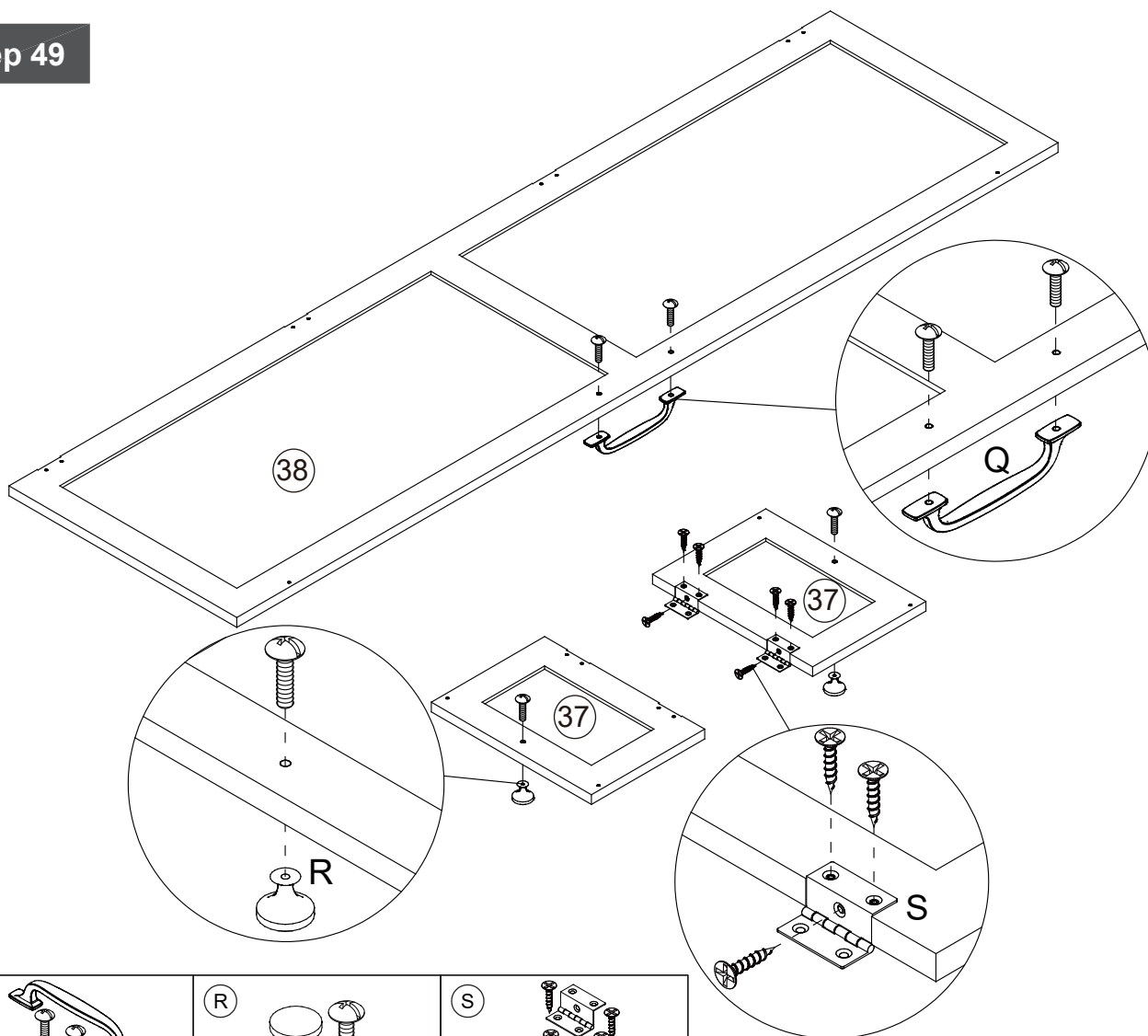


Assembly Instructions

Step 48

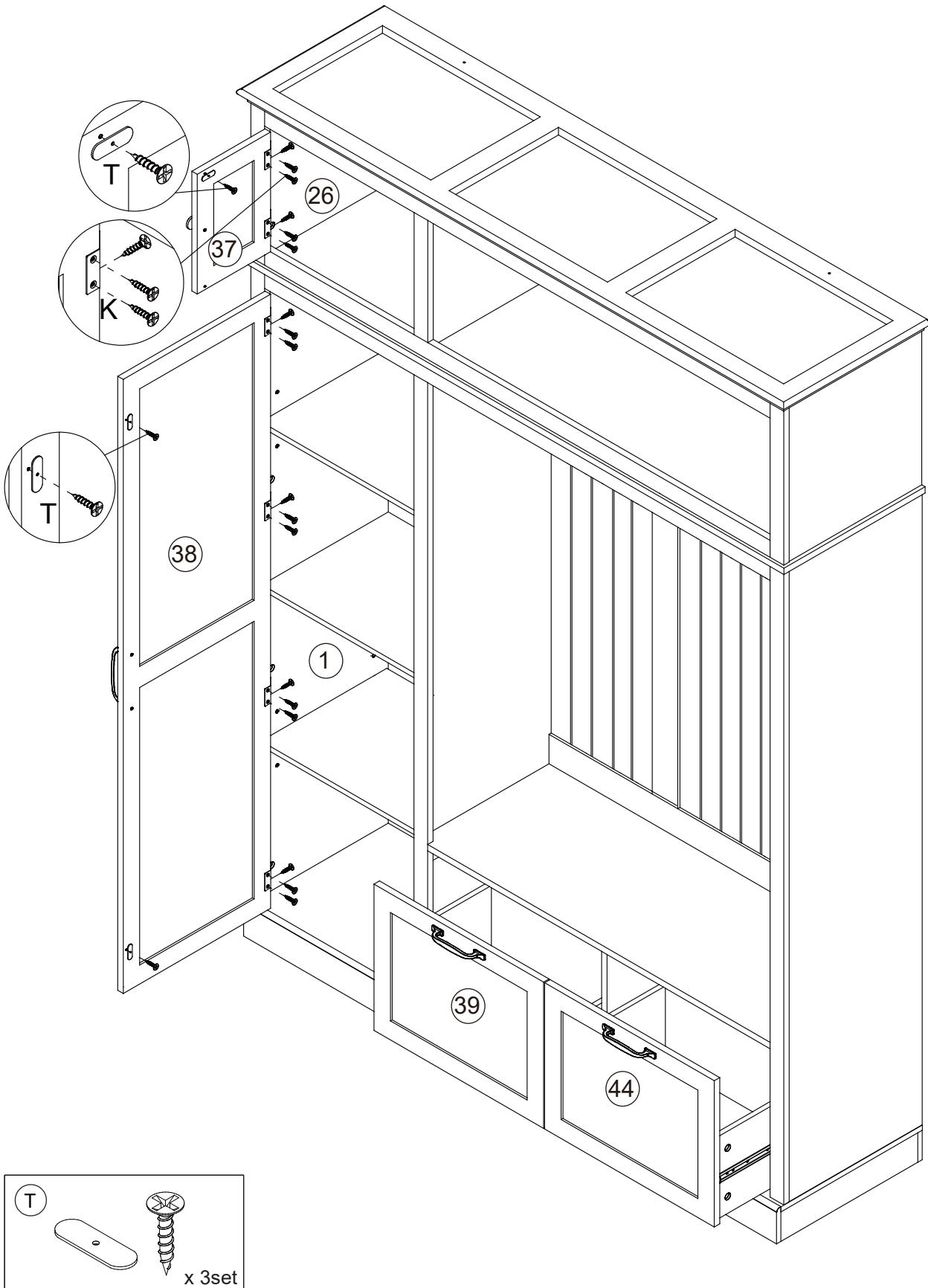


Step 49



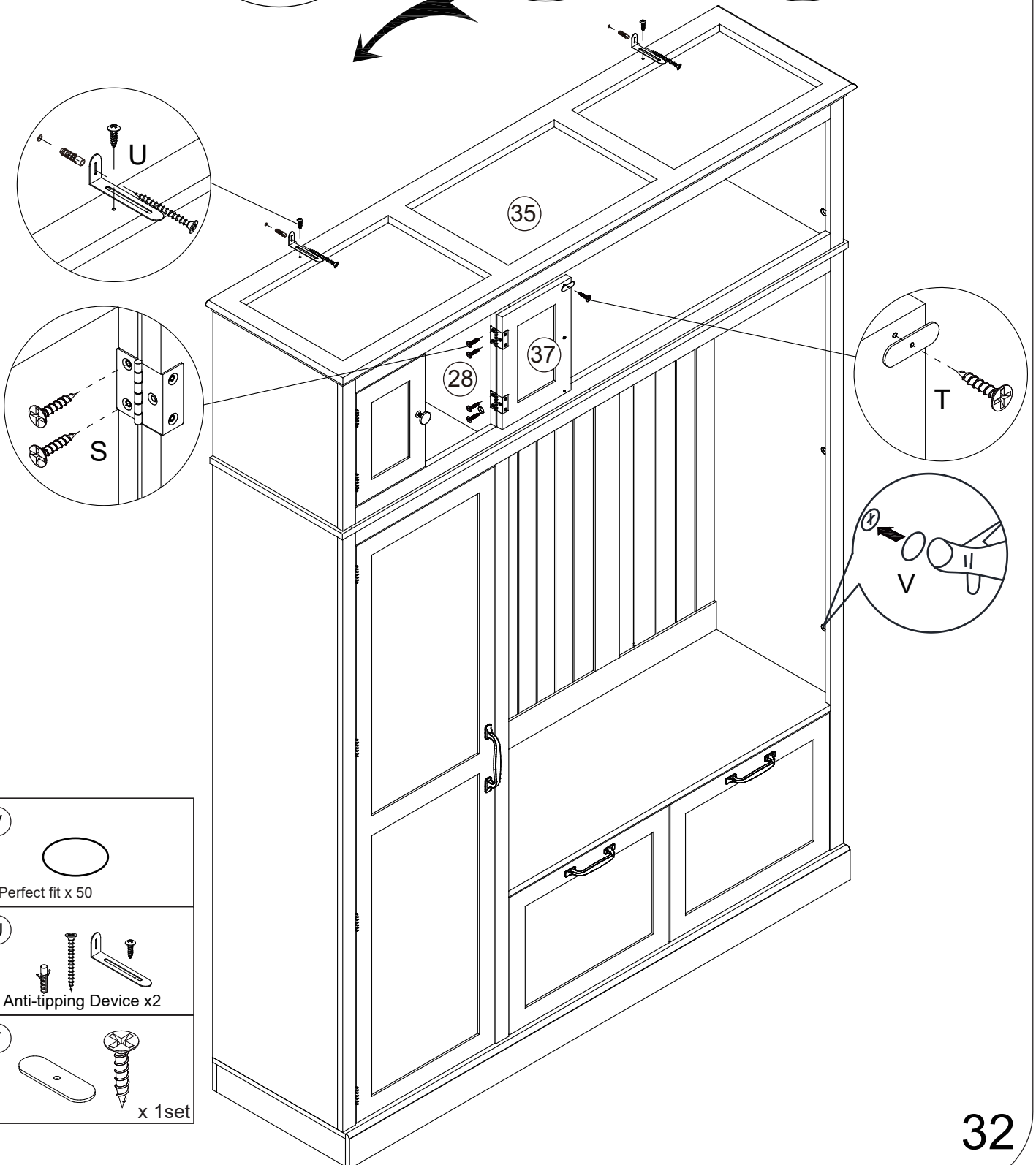
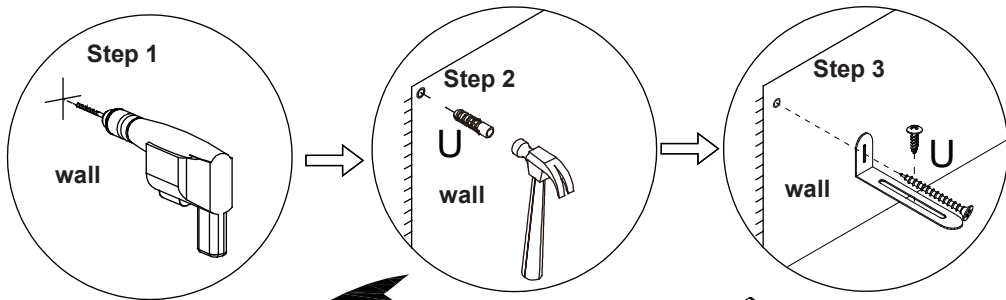
Assembly Instructions

Step 50



Assembly Instructions

Step 51



Assembly Instructions

Finish

