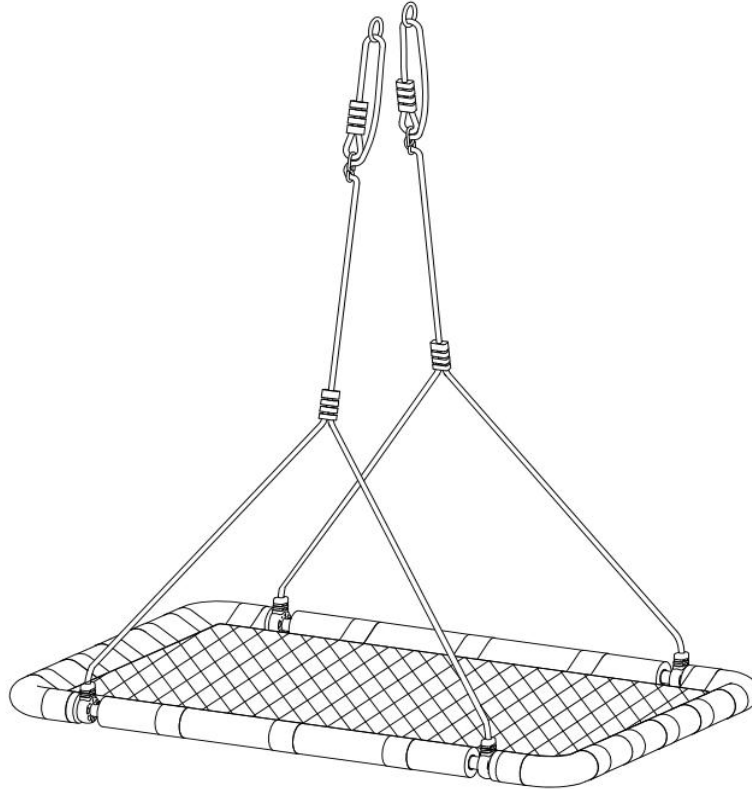


RECTANGULAR SWING

USER'S MANUAL



WARNING! For family domestic use only. Not suitable for children under 3 years.

To be used under the direct supervision of an adult. Long cord, risk for strangulation! Risk of falling!

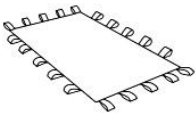
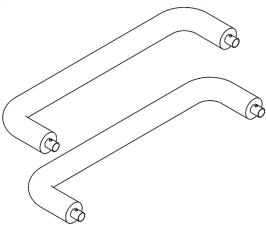
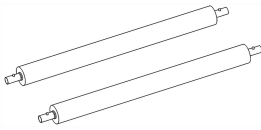
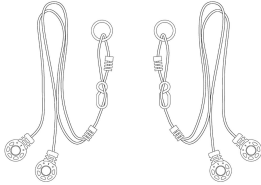
INSTRUCTIONS FOR USE

SAFETY INSTRUCTIONS **WARNING!**

- 1- Please keep this instruction sheet safely for future reference.
- 2- Please do not modify the product or the assembly details in any way. Modifications will affect the structural integrity and replacement parts will be at the buyer's expense.
- 3- Inappropriate use or faulty application of the product are explicitly forbidden and absolve the manufacturer of all liability. This product needs to be mounted by an adult before use.
- 4- The use of the item is allowed only under continuous supervision by an adult.
- 5- The product can bear a maximum load of 150kg/300lbs. The product is not suitable for children under 36 months due to a lack of extra safety precautions and taking into account the limited mental capacities of toddlers.
- 6- This product is only suitable for family domestic use, both indoors and outdoors.
- 7- When installing the product, ensure that the play system or other construction can support the weight (minimum 150kg/330lbs) and that there is no risk of entrapment.
- 8- The product should be at a distance of at least **2m** from all other installations e.g. fences, branches, clothes-line,
- 9- In this safety area on hard, angular or pointed objects should be present. The surface underneath the product should be flat and shock absorbing. The product must not be placed on asphalt, concrete or any other hard surface. We advise the removal and storage of all accessories during the winter because the characteristics of the soil (when frozen) are not suitable for safe play.
- 10- The distance between the suspension points along the crossbeam equals or is more than the distance between the junction points of the product, plus 4% of the distance between the ground and beam. See FIG I.
- 11- The minimum distance from the bottom of the swing seat to the ground surface shall not be less than 14 inches. The minimum lateral free space should be 17.5".
- 12- Specific instruction for adjusting the rope length: see FIG II. Ensure that the product hangs horizontal after adjustment of the ropes.
- 13- Please ensure that the crossbeam is never higher than 8ft. Please make sure that children do not climb the product to reach the top beam.
- 14- To avoid the swing from heating up, do not place it facing the sun. In warm weather, check that the seating surface is not too hot.
- 15- All pieces should be checked regularly. For replacement material and expansion of the playground equipment, please contact the supplier. Consequently safety will be guaranteed.
- 16- This product can only be used in combination with sufficiently strong swing hooks with a nylon bearing. Only in this case the safety can be ensured. It is explicitly forbidden to use the metal rings on a suspension system without a hinged element.
- 17- Make sure threaded fasteners connecting structural components have a locking mechanism, such as lock washers, self-locking nuts, or other features designed to hold up the swing securely.

PARTS LIST

- Take all parts out of the packaging and check if anything is damaged, and if all parts are present.

ITEM	PART IMAGE	MODEL	QT
A		Seating surface of nest swing	1
B		Curved tubes with foam	2
C		Straight tubes with foam	2
D		Rope with ring and plastic suspensions	2

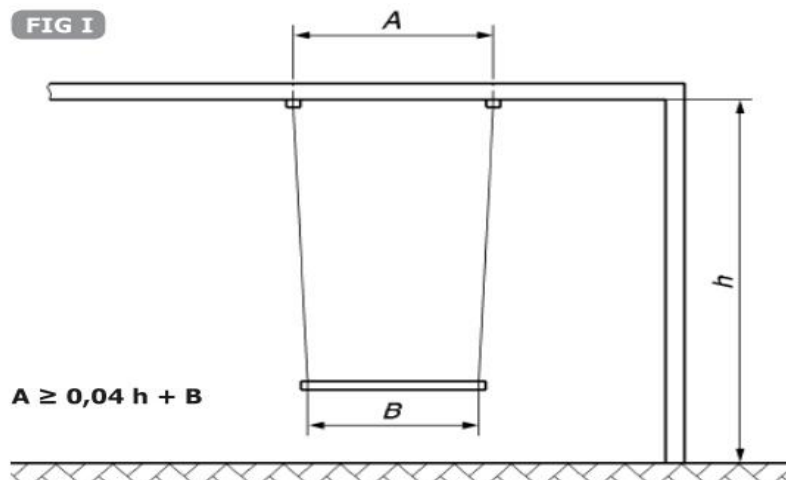
HOW TO INSTALL

A - Distance between the suspension points along the crossbeam.

B - Distance between the junction points of the swing element and the means of suspension.

h - Distance from the ground to the lower side of the crossbeam.

The distance of A can be calculated by taking the measurement of the height and multiply it by 0.04, you will then add the measurement of the width. The distance of A should be equal to or greater than that amount.

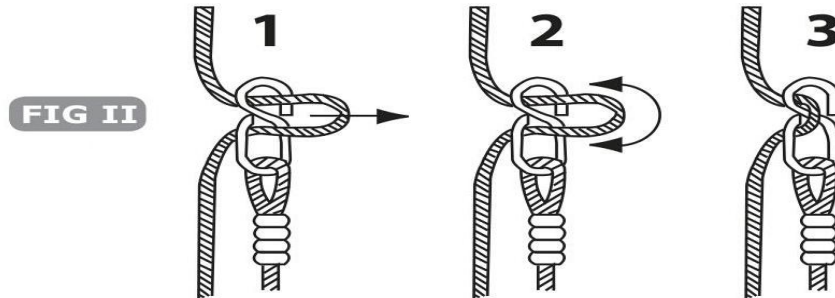


Example:

H=2.5M B=65CM
(0.04 x 250CM)+65CM

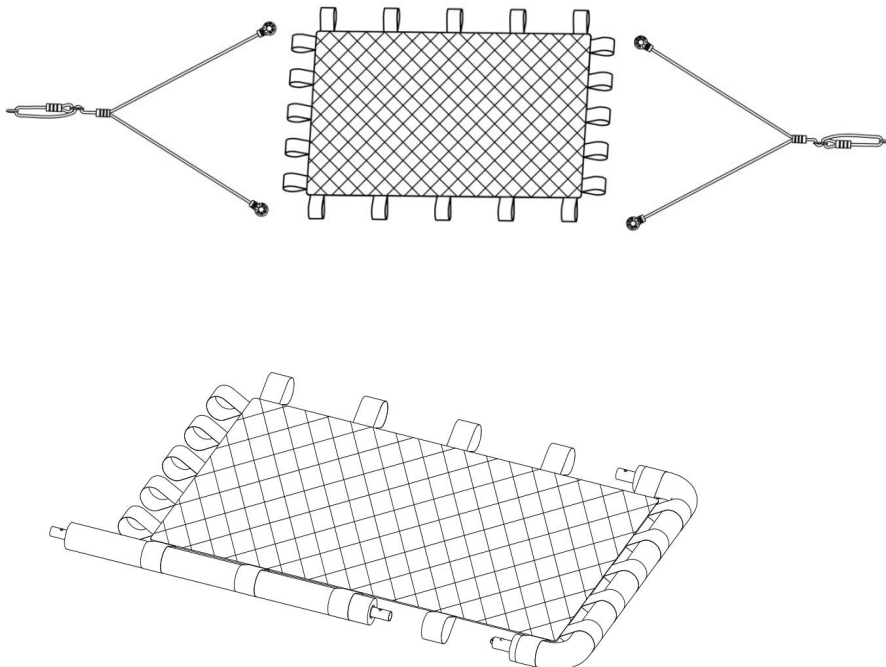
A ≥75 CM

HOW TO ADJUST THE ROPES



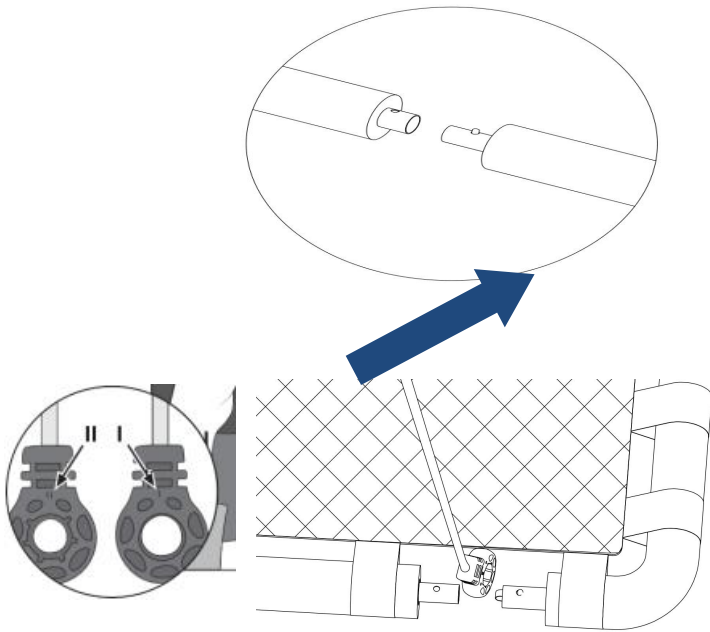
ASSEMBLY STEPS

1. Lay the seat mat and ropes on the floor. Put the two ropes with plastic connectors beside the seat mat like the below picture.



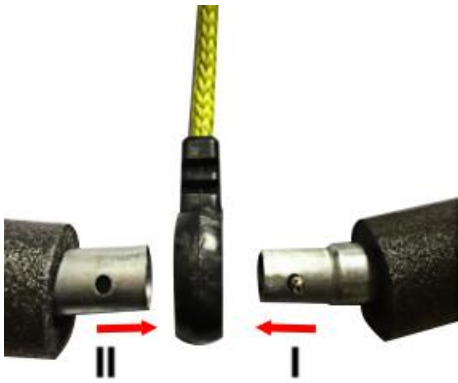
First insert the tubes, Make sure that a thicker tube end with a hole follows a tube end with a button. Do not assemble the tubes now.

2. Assemble the tubes and ropes according to following instruction.



Now start to connect the tubes by the plastic connectors on the ropes, Please note that there are “I” and “II” marked on the inner side of the plastic connectors.

Now connect the tubes by pressing down the button on the contracted tube end. Locking is done by clicking on the button.



Make sure that “I” is pointed to the contracted tube with button, and “II” is pointed to the tube with hole. And when you cover the plastic connector to the tube, please cover the “II” side to the tube at first, next is “I” side. Make sure that the button is fully inserted into the hole until you can see the button on the surface of the hole like following picture.

INSPECTION AND MAINTENANCE

The frequency of inspection and maintenance will vary with the type of equipment or materials used or other factors (e.g. heavy use, levels of vandalism, coastal location, air pollution, age of equipment,). Special attention should be given to the swing hooks, rings, eyes, plastic welds and ropes. Moving metal parts must be oiled regularly.

Check all coverings for bolts and sharp edges and replace when required.

Routine visual inspection (weekly to monthly)

Always check that the bolts and nuts are securely fastened,

Check the shock absorbing surface for objects that don't belong there.

Check for missing parts.

Check the equipment ground clearances.

Operational inspection (1 to 3 months)

Check the stability of the construction.

Check every part for excessive wear and replace when necessary.

Annual inspection (1 to 2 times per year)

Check for rust and corrosion.

Check every part for excessive wear and replace when necessary.