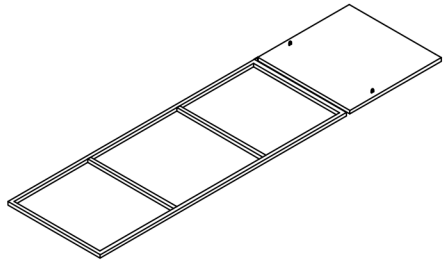
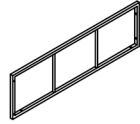


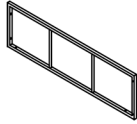
A 1PC



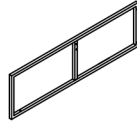
B1 1PC



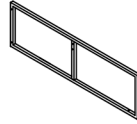
B2 1PC



C1 1PC



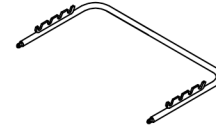
C2 1PC



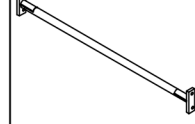
D 2PC



E 1PC



F 1PC

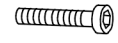


G1 16PC



M6X40

G2 18PC



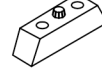
M6X35

G3 6PC

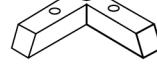


M6X20

H1 4PC



H2 4PC



J 18PC



K 36PC



M 2PC



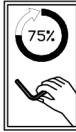
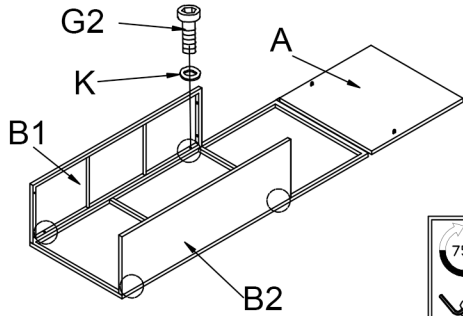
T1 1PC



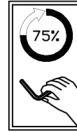
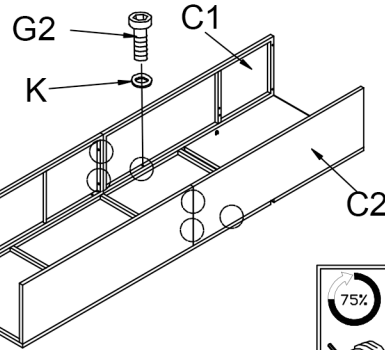
T2 1PC



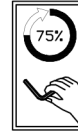
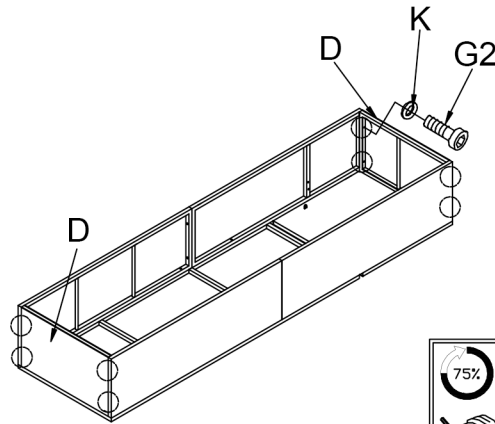
Step 1



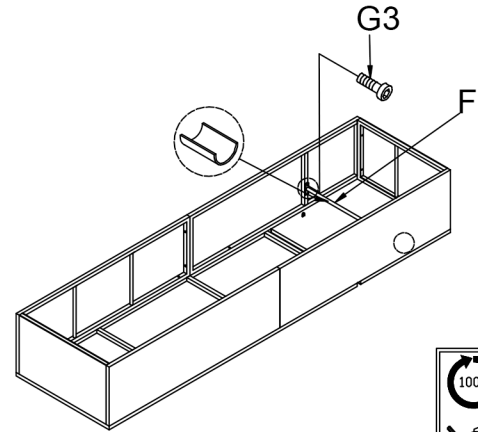
Step 2



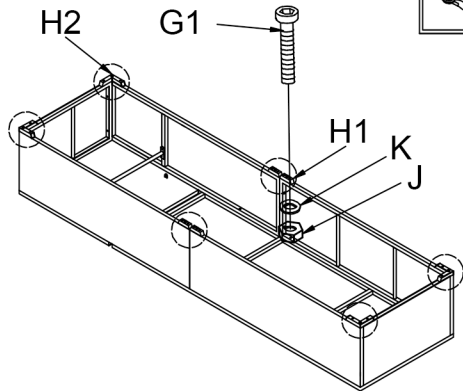
Step 3



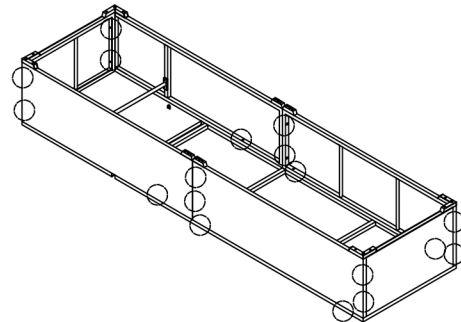
Step 4



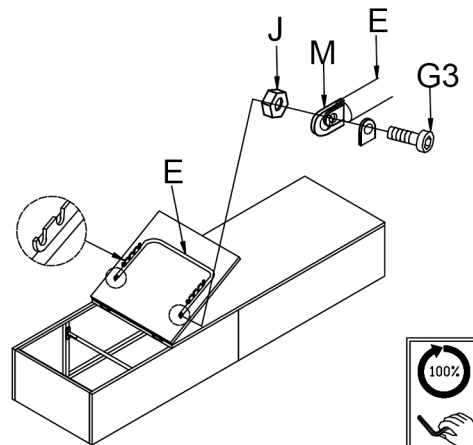
Step 5



Step 6



Step 7



Step 8

