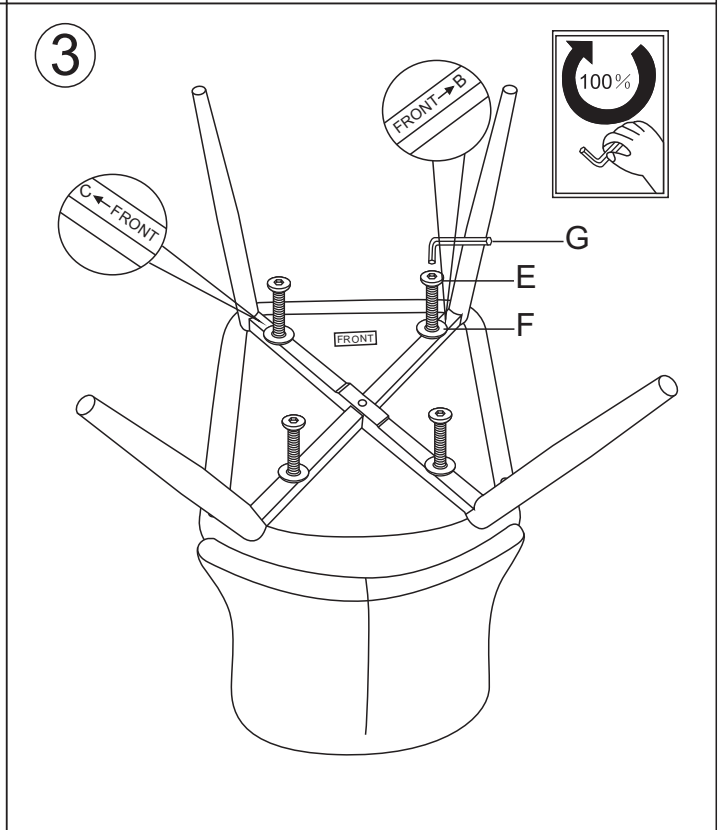
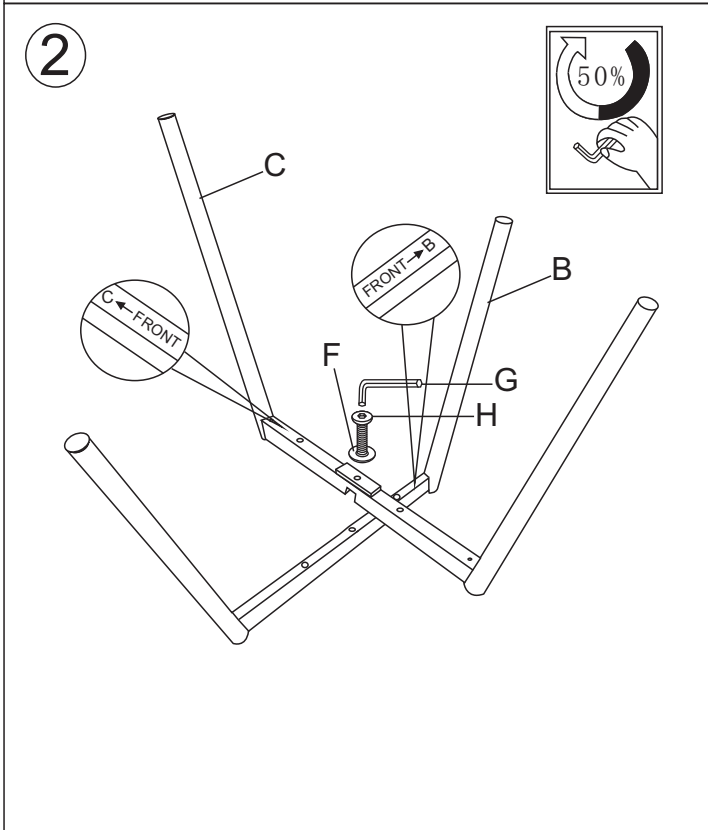
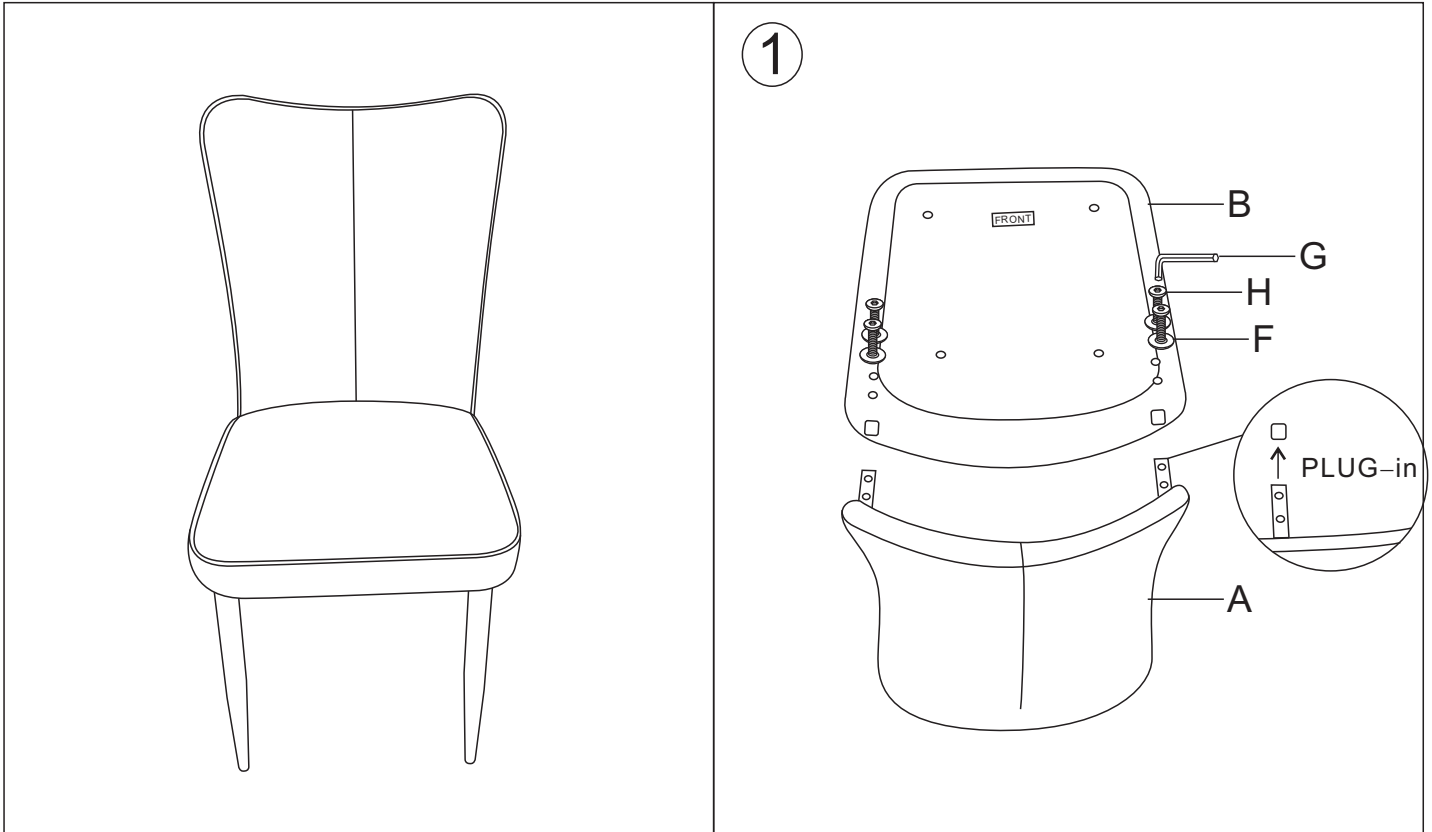


# ASSEMBLY INSTRUCTIONS



Ax1	Bx1	Cx1	Dx1	Ex4	Fx9	Gx1	Hx5
				M6x45mm	M6x16mm		M6x16mm