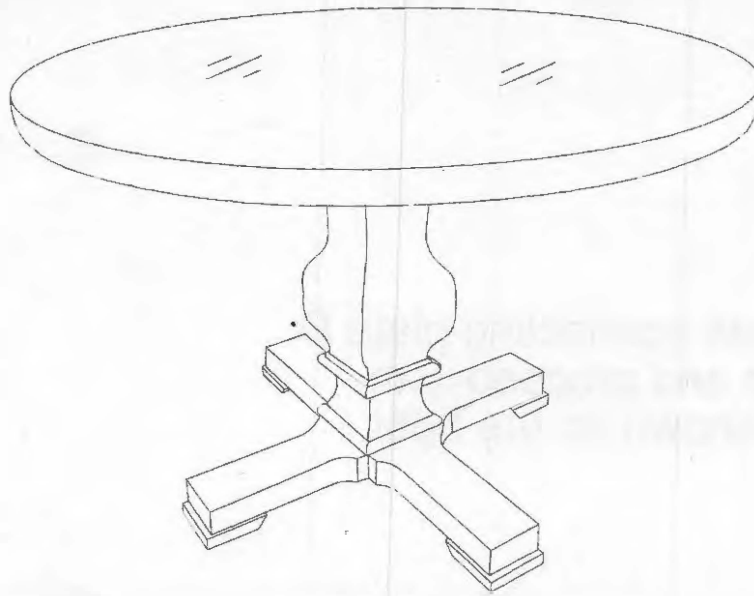











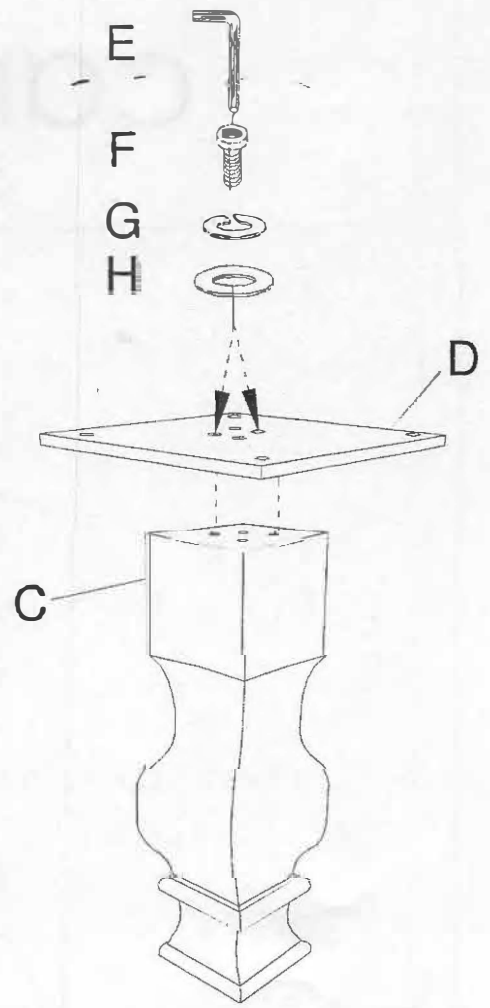
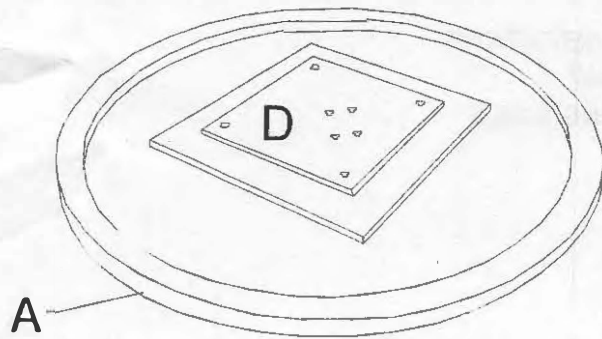
Assembly Instructions

ROUND DINING TABLE



	PART	DESCRIPTION	Q'TY	Nº.	PART	DESCRIPTION	Q'TY
A		Table top	1PC	B		Feet	2PCS
C		Pedestal Leg	1PC	D		Connecting plate	1PC
E		Allen Head Wrench 5mm	1PC	F		Allen Head Bolt M8mm x 38mm	8PCS
G		Spring Washer M8mm	12PCS	H		Flat Washer M8mm x M19 x 1.5mm	12PCS
I		Allen Head Bolt M8mm x 76mm	4PCS				

STEP 1



Please unscrew connecting plate D from table top and proceed with assembly as shown on the right.

STEP 2

