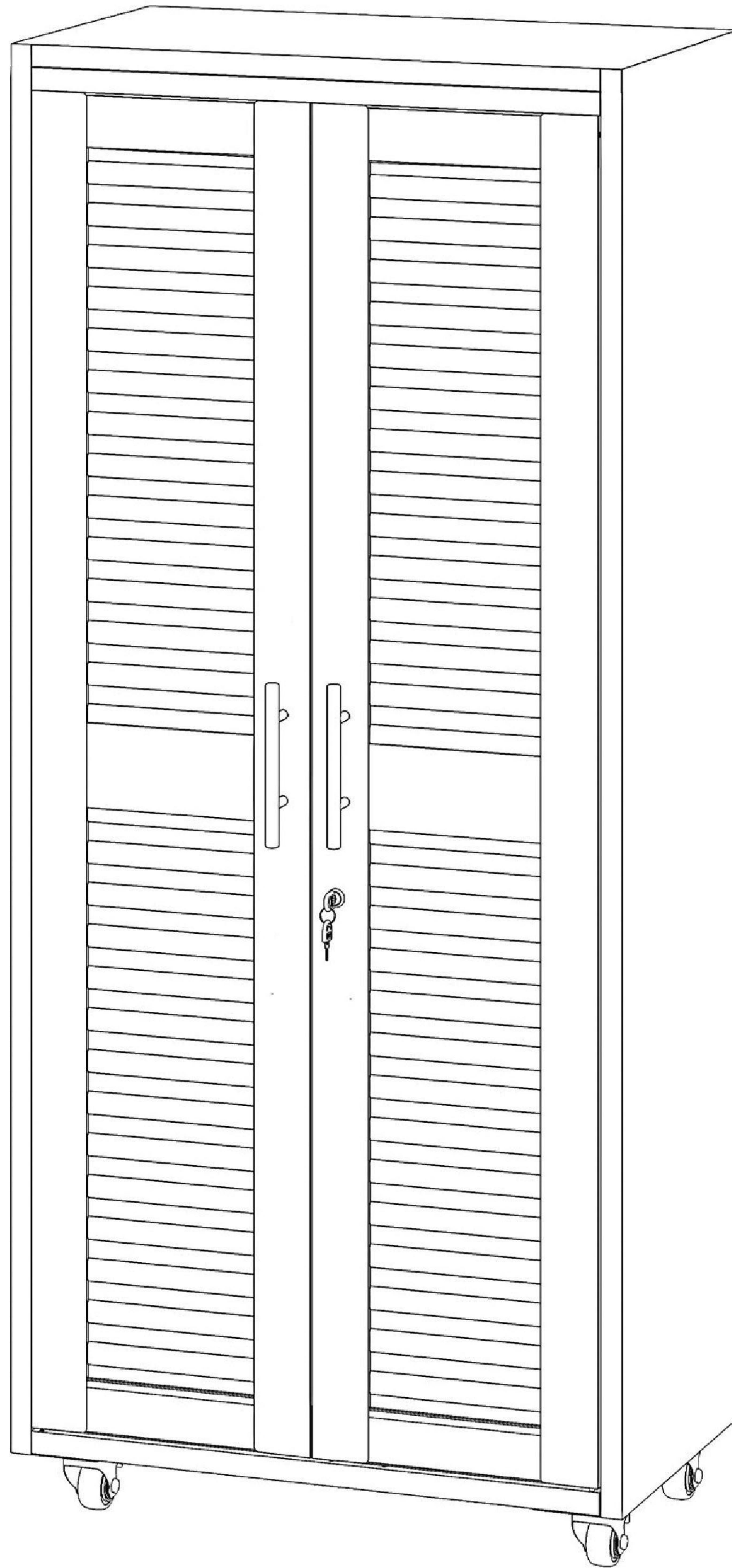
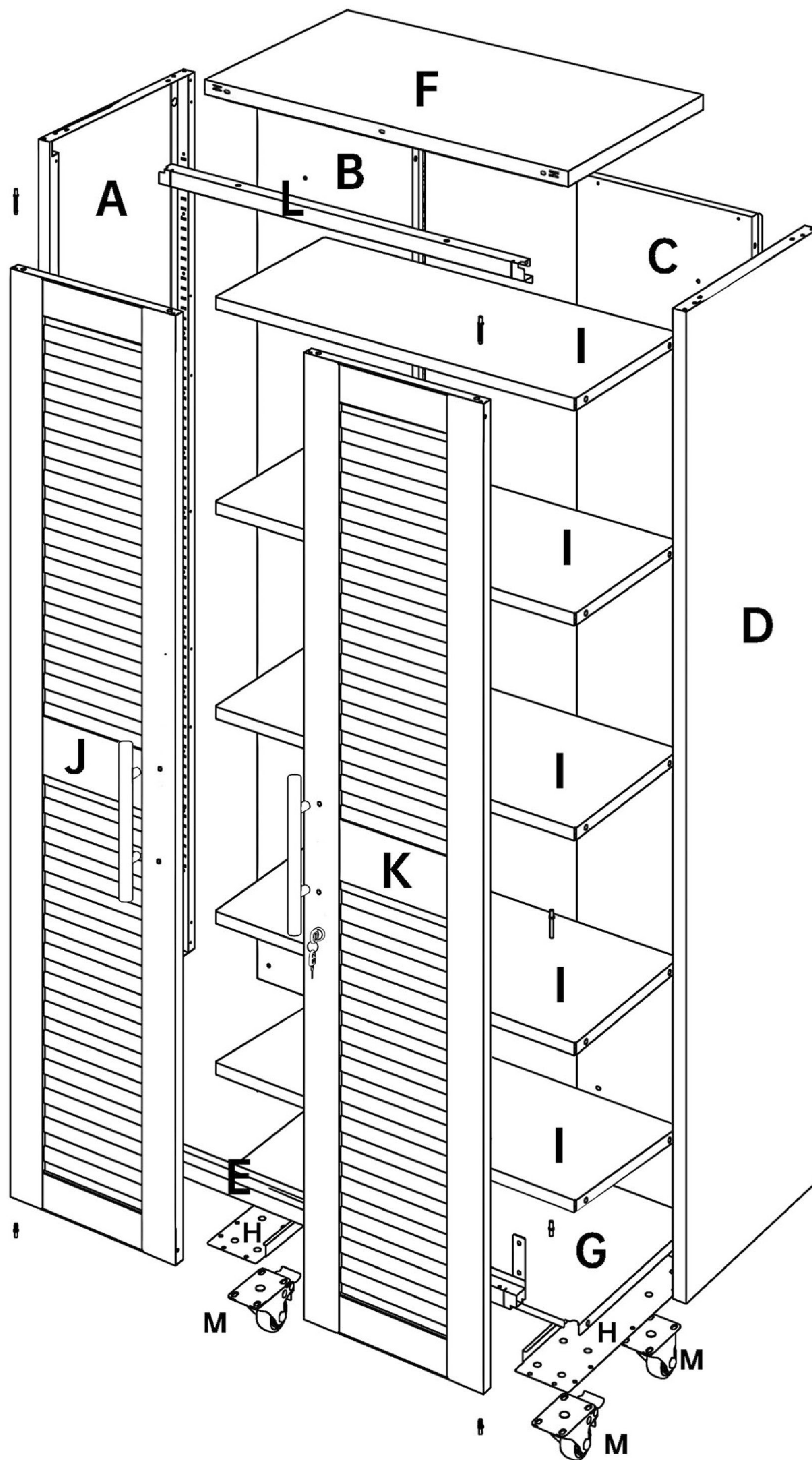


Assembly Instructions





CAUTION

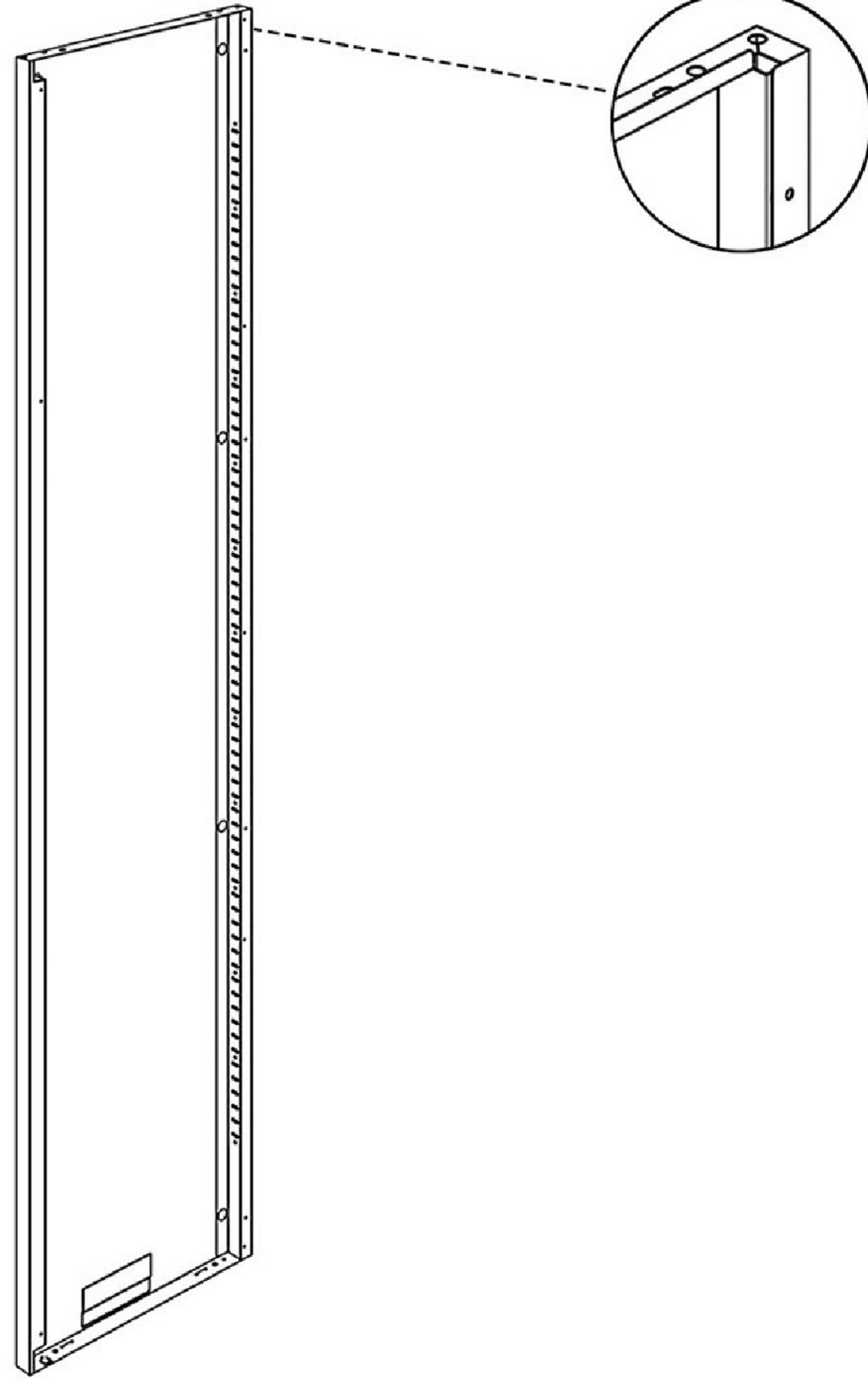
An assistant is required

CUSTOMER FIRST, SERVICE FOREMOST!
Questions? Issues?
CONTACT US
REPLY WITHIN 24 HOURS IN BUSINESS DAYS

Accessories

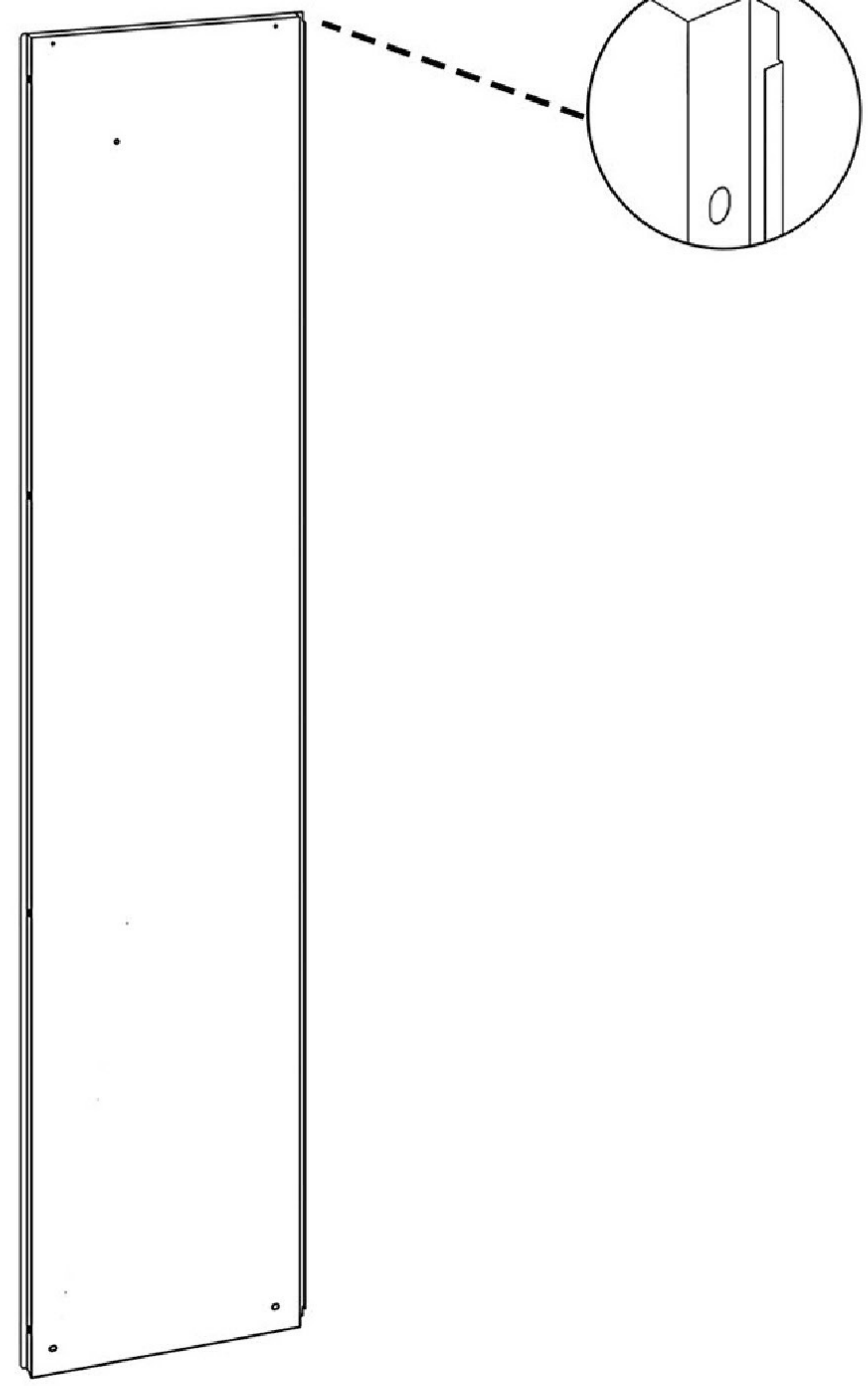
A-Left Side Panel

1PC



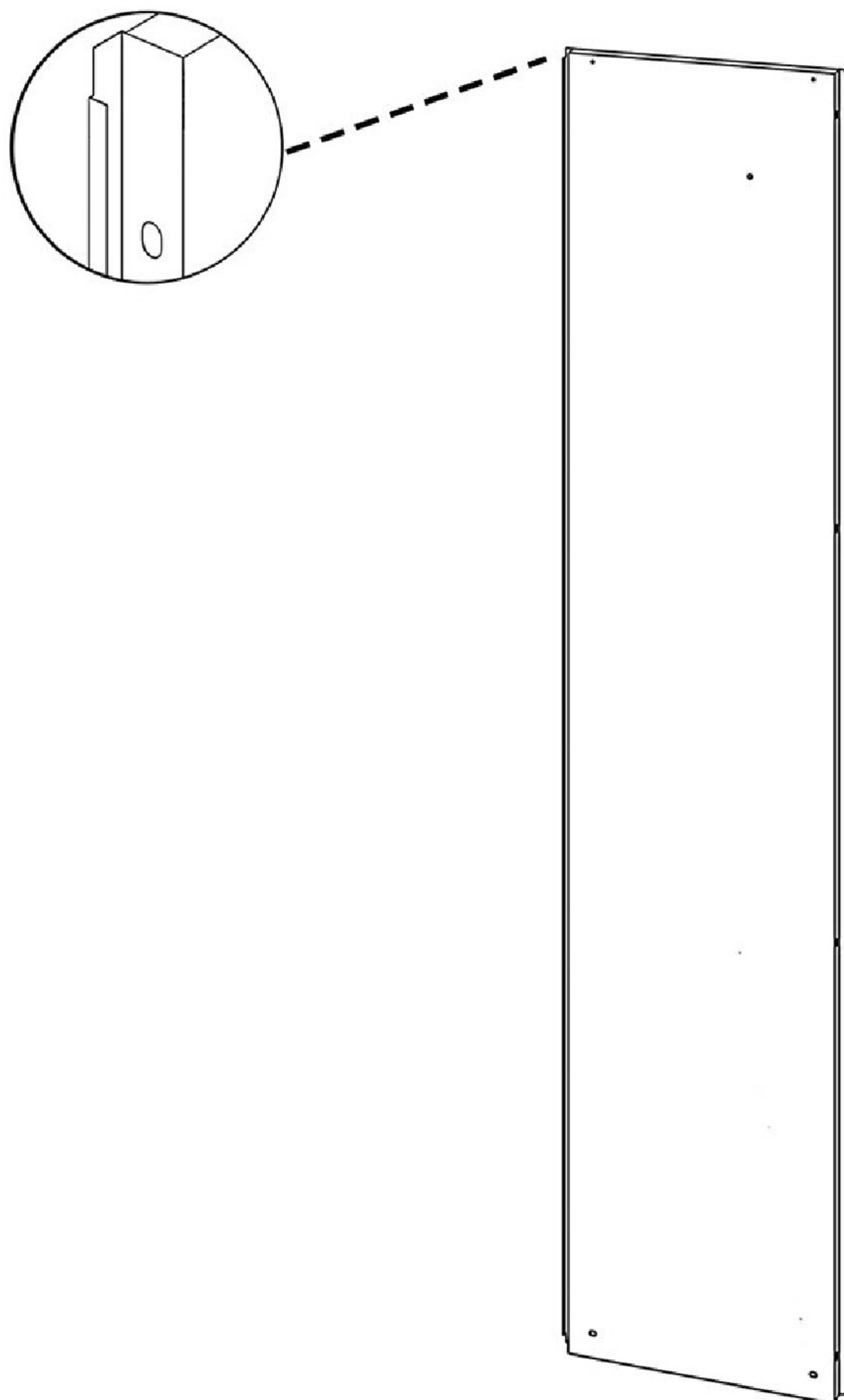
B-Left Back Panel

1PC



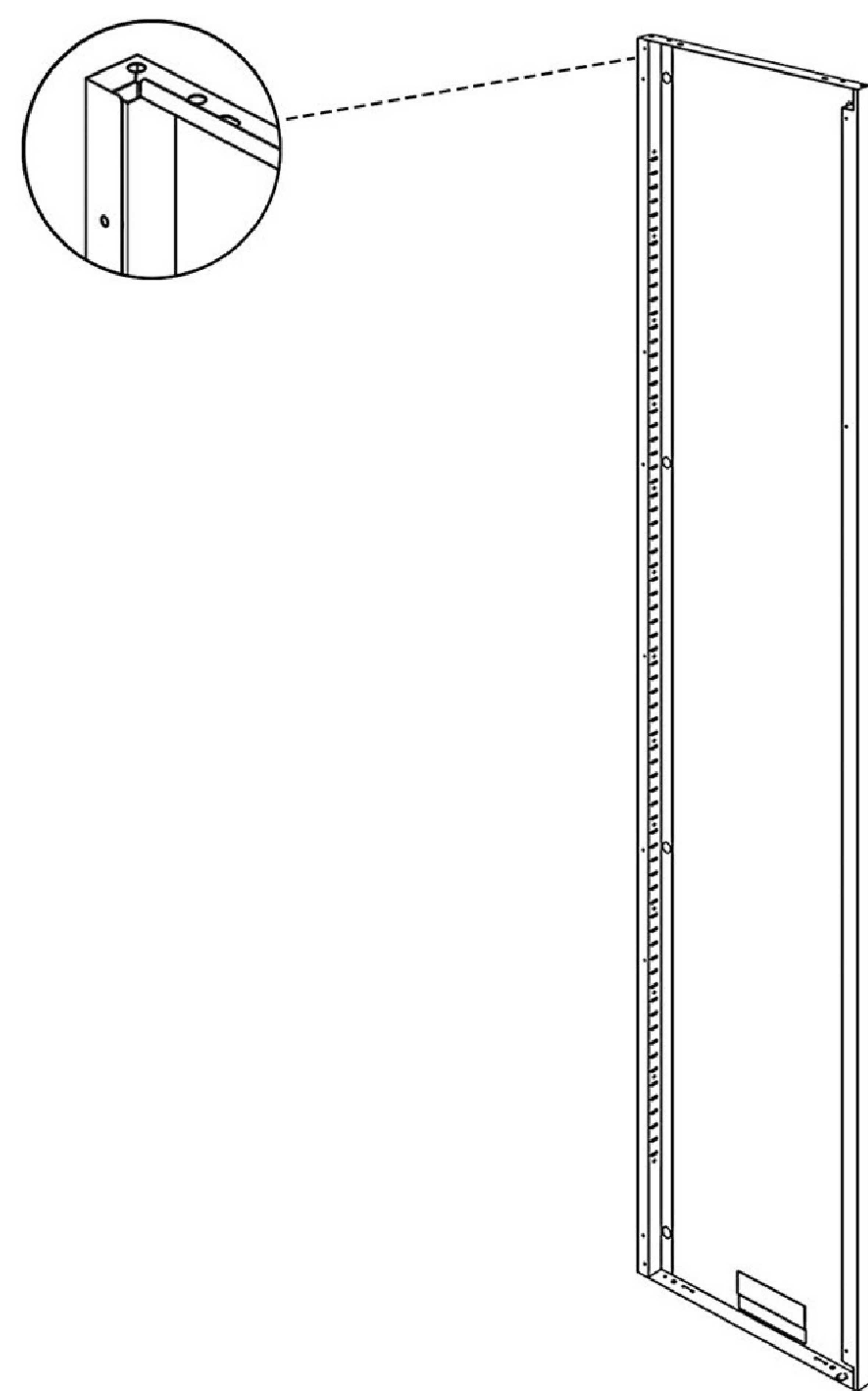
C-Right Back Panel

1PC



D-Right Side Panel

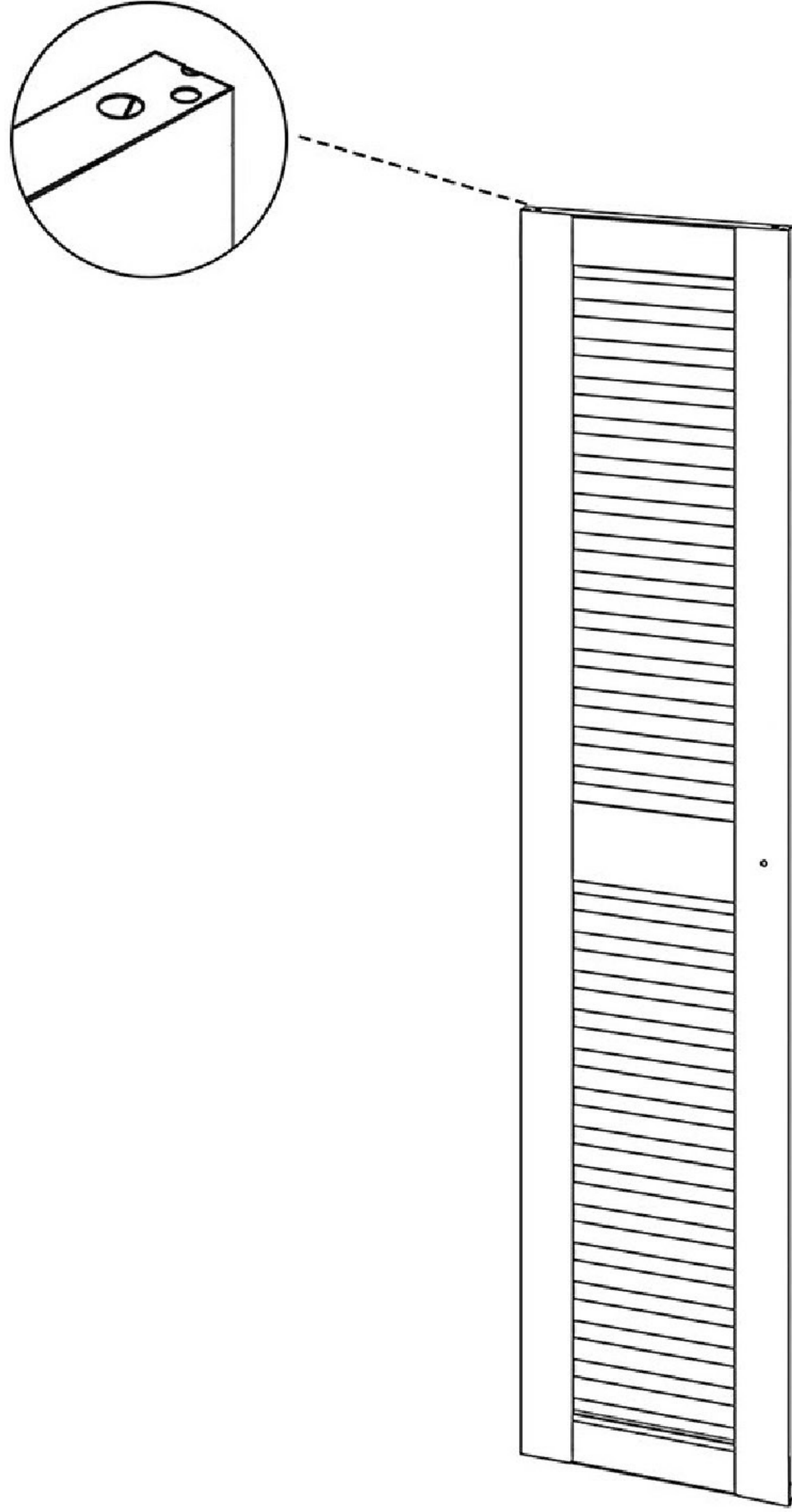
1PC



Accessories

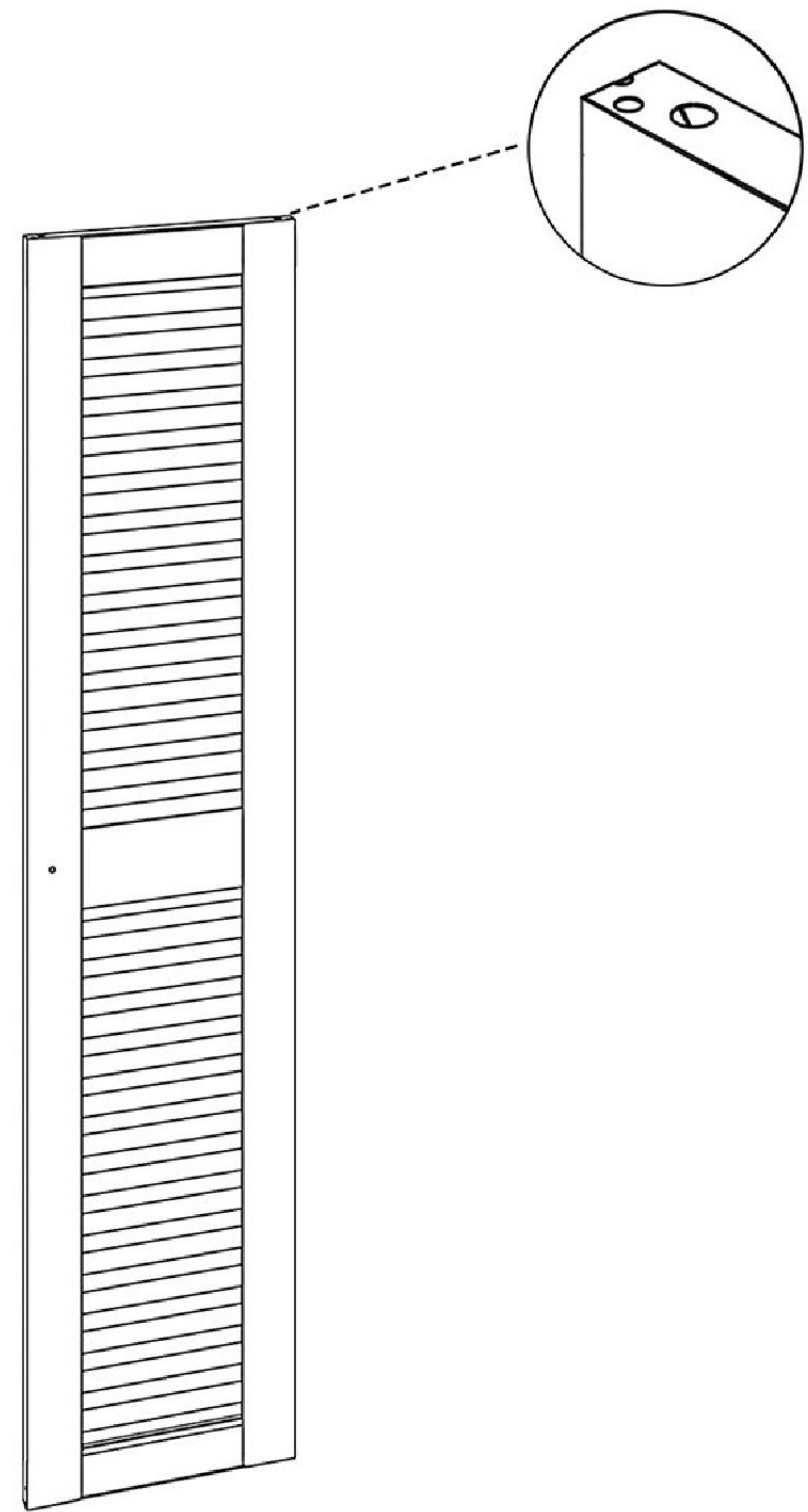
J-Left Door

1PC



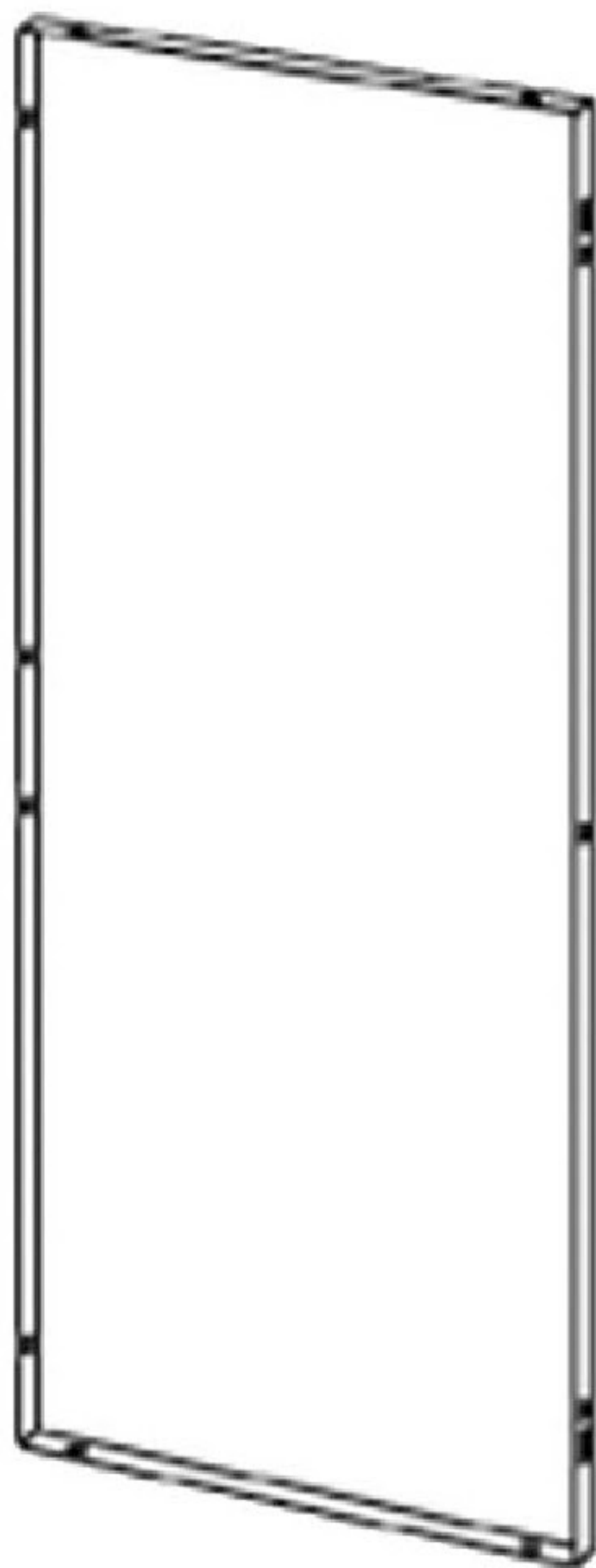
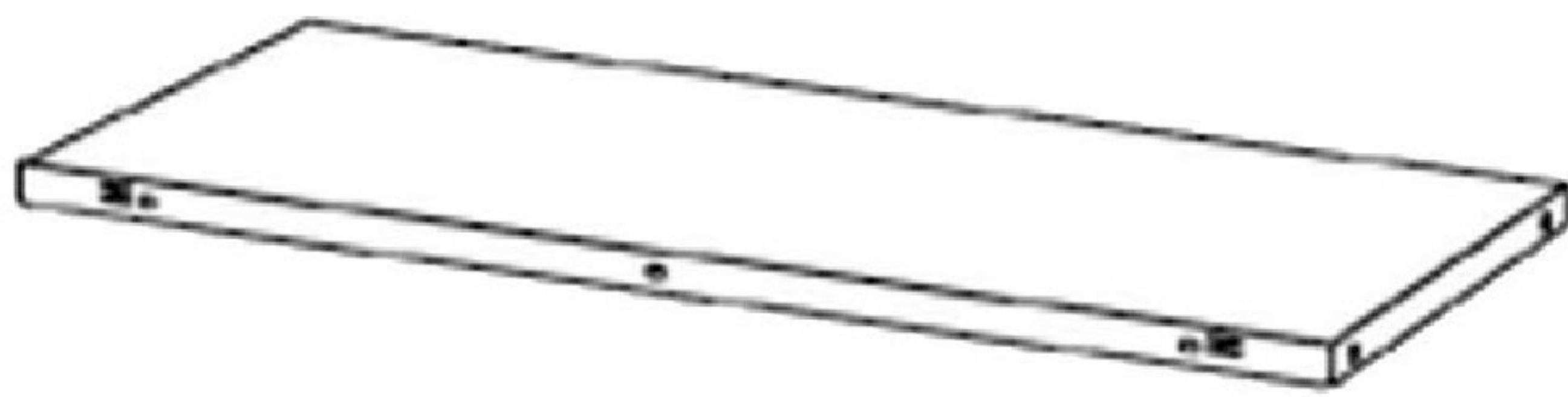
K-Right Door

1PC



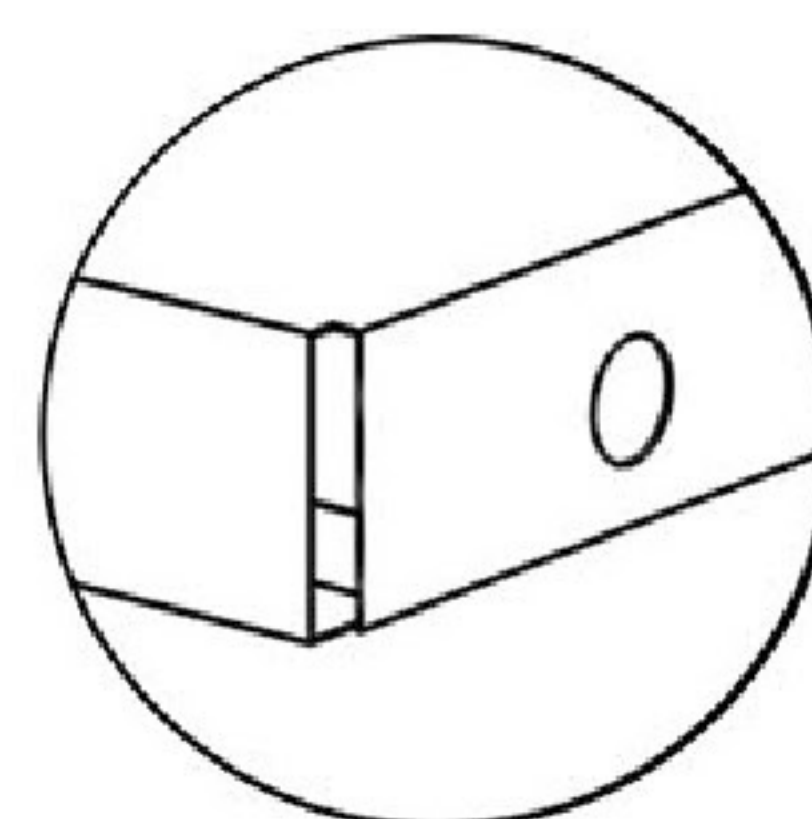
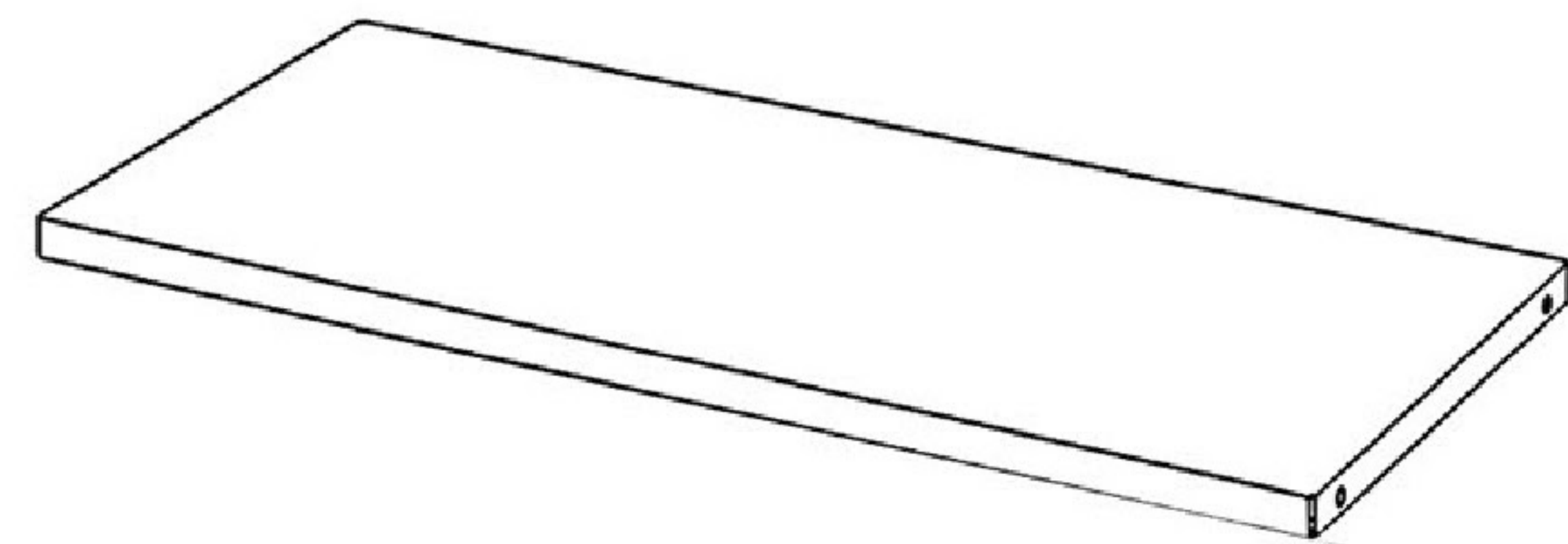
F-Top Panel

1PC



I-Shelf

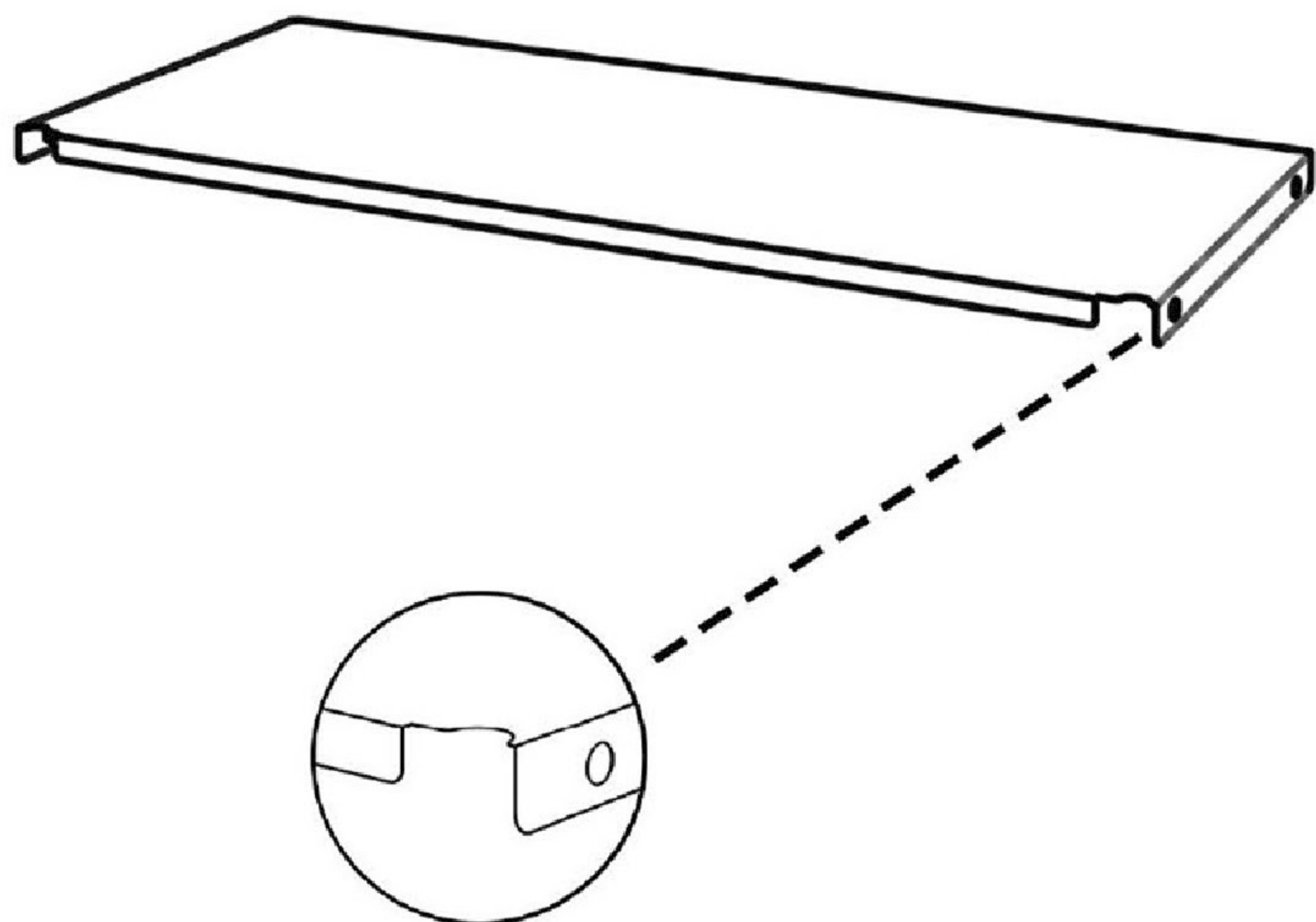
5PCS



Accessories

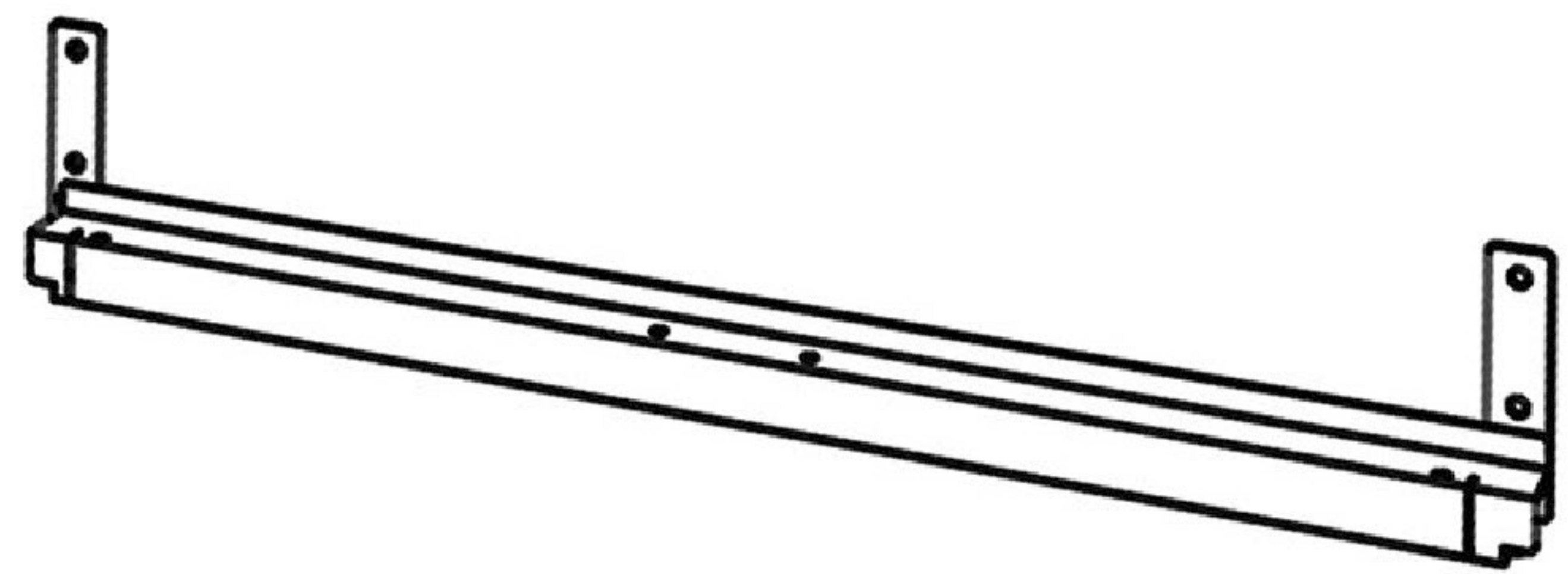
G-Bottom Panel

1PCS



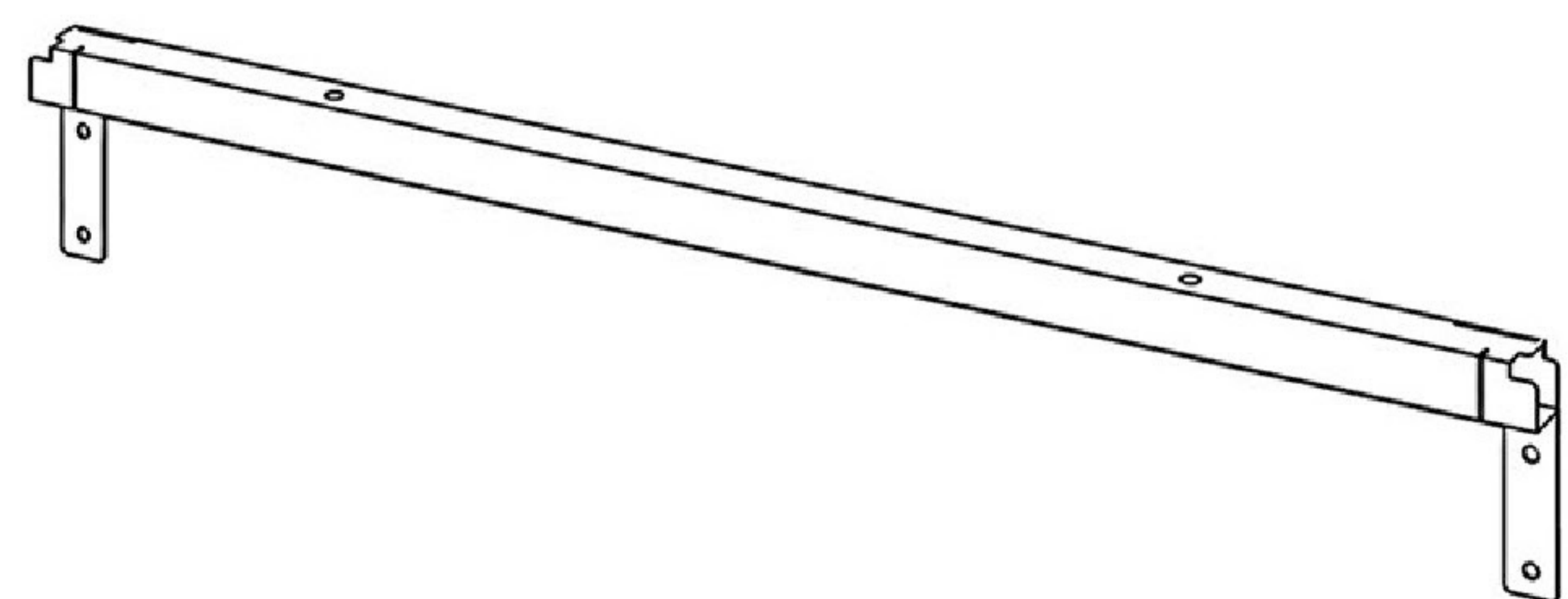
E-Kick Plate

1PC



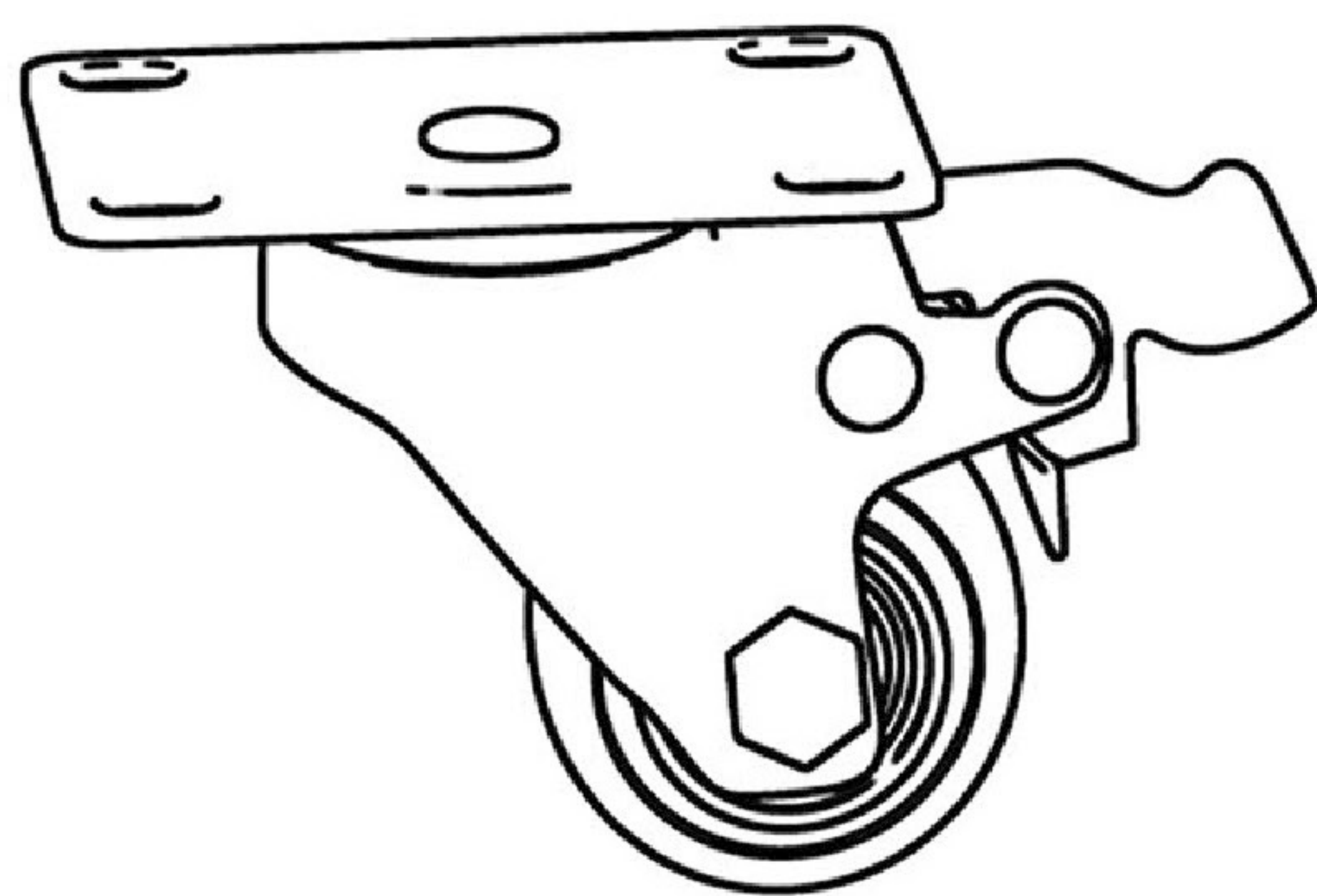
L-Top Plate

1PC



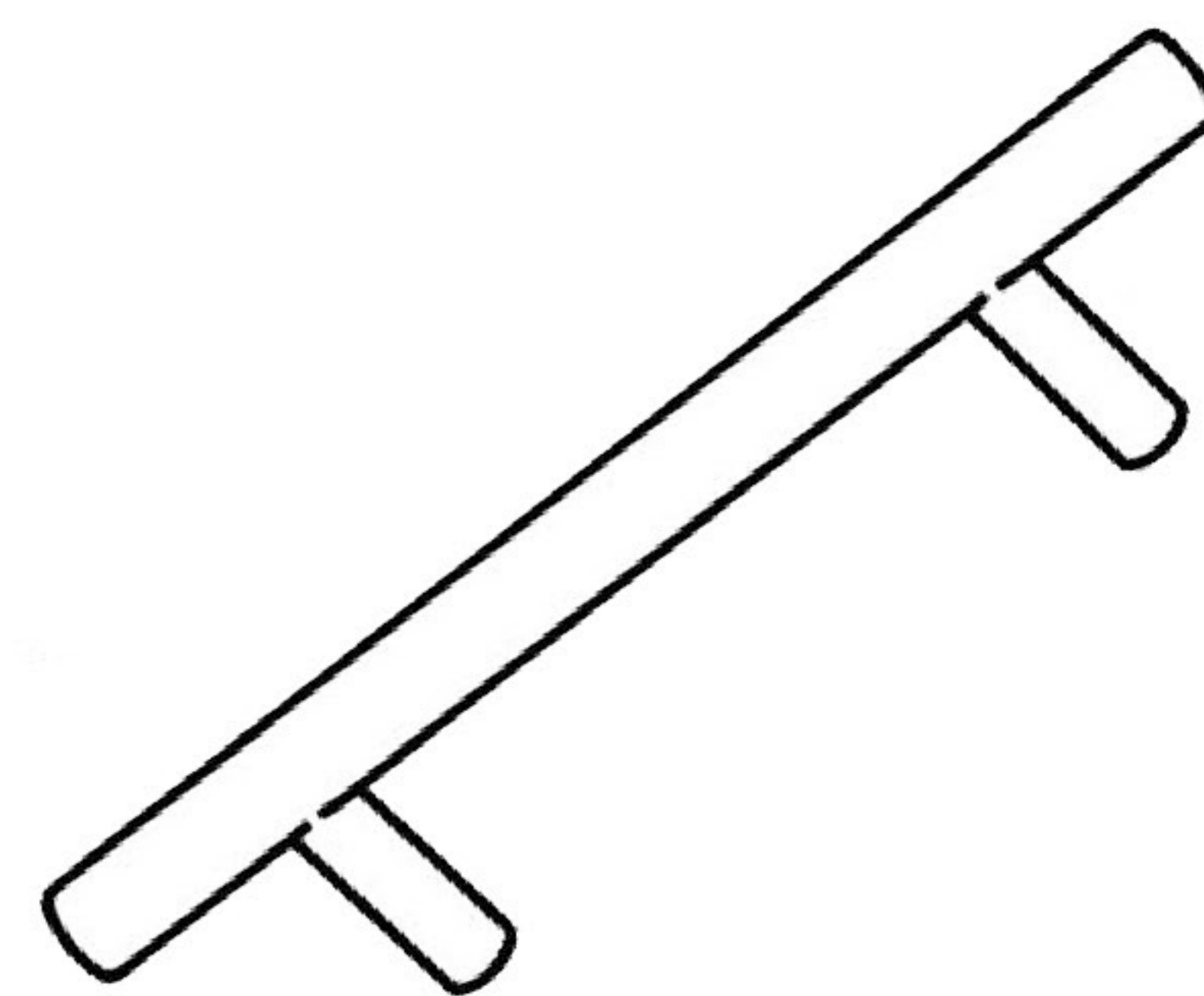
M-Brake Wheel

4PCS



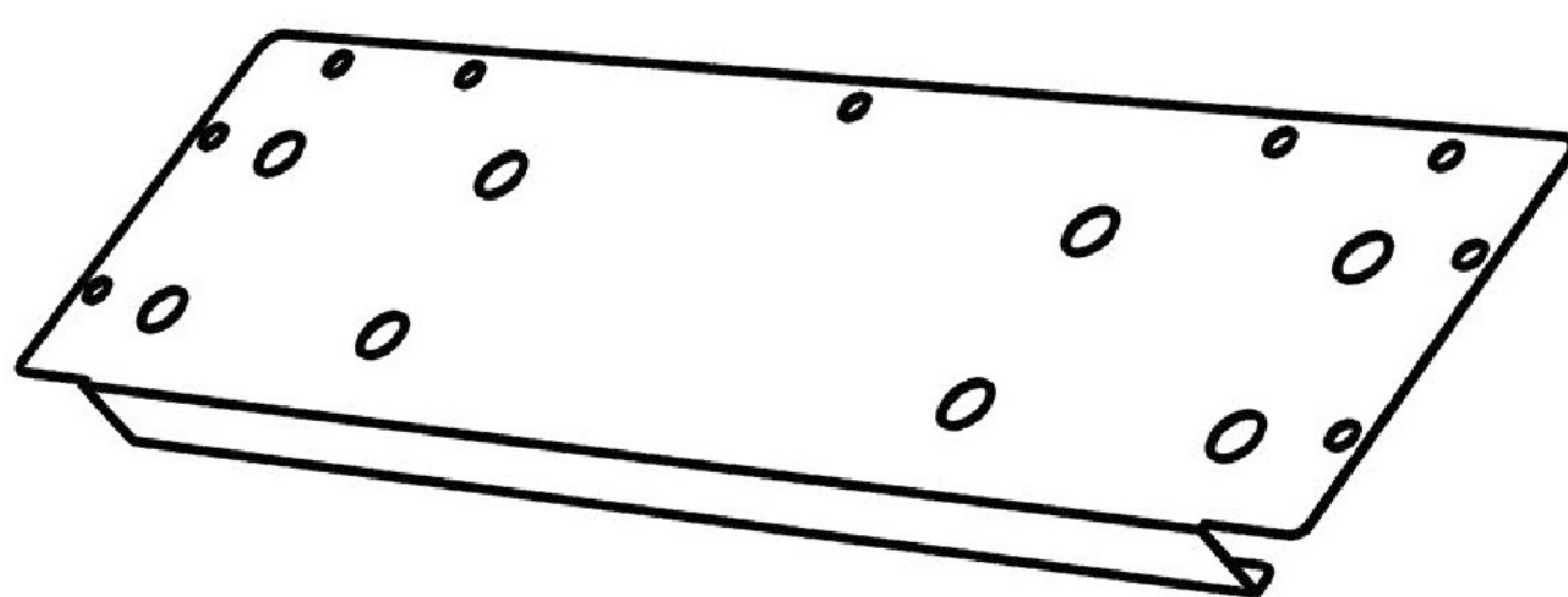
S-Handle

2PCS



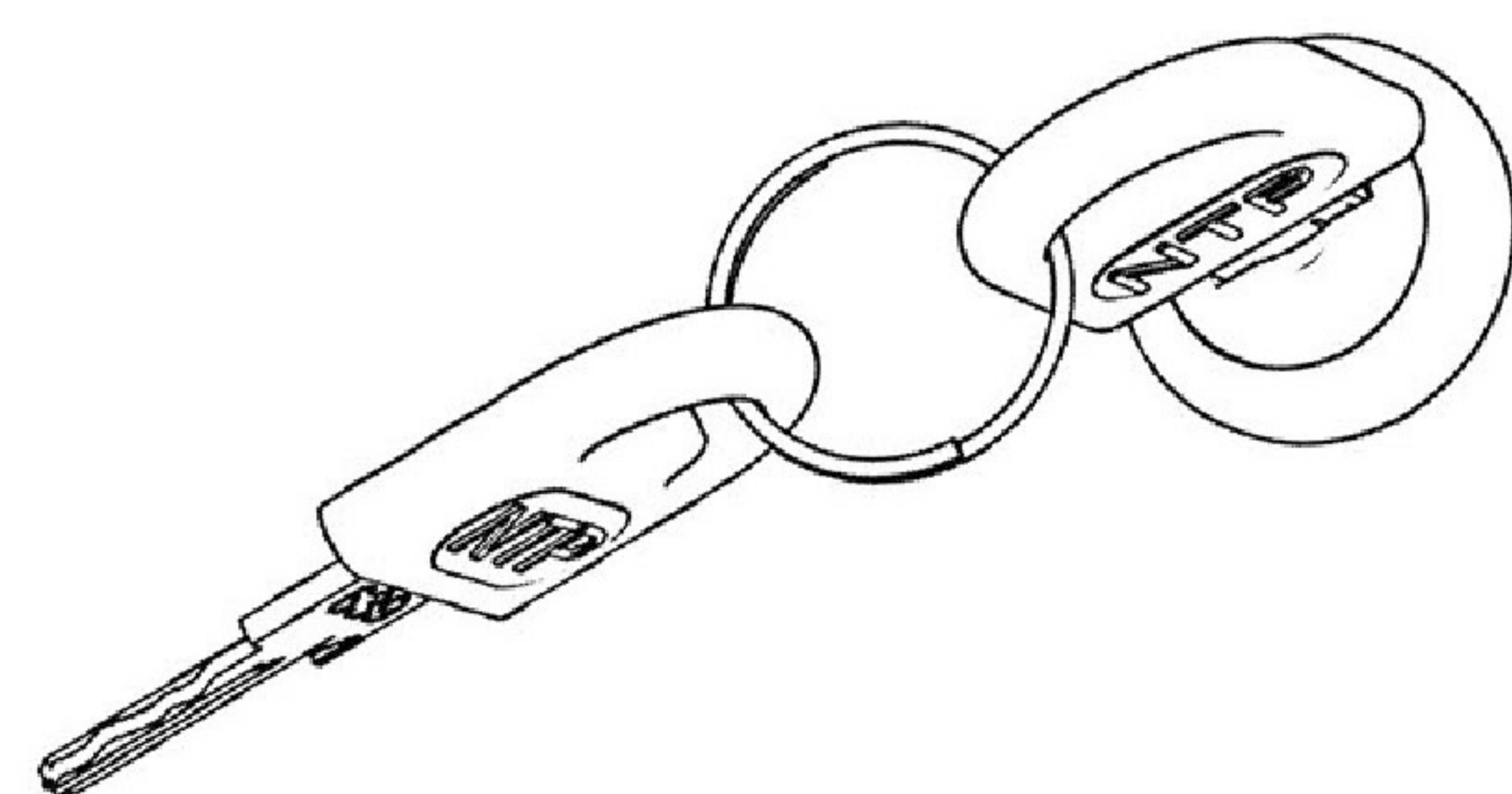
H-Base

2PCS



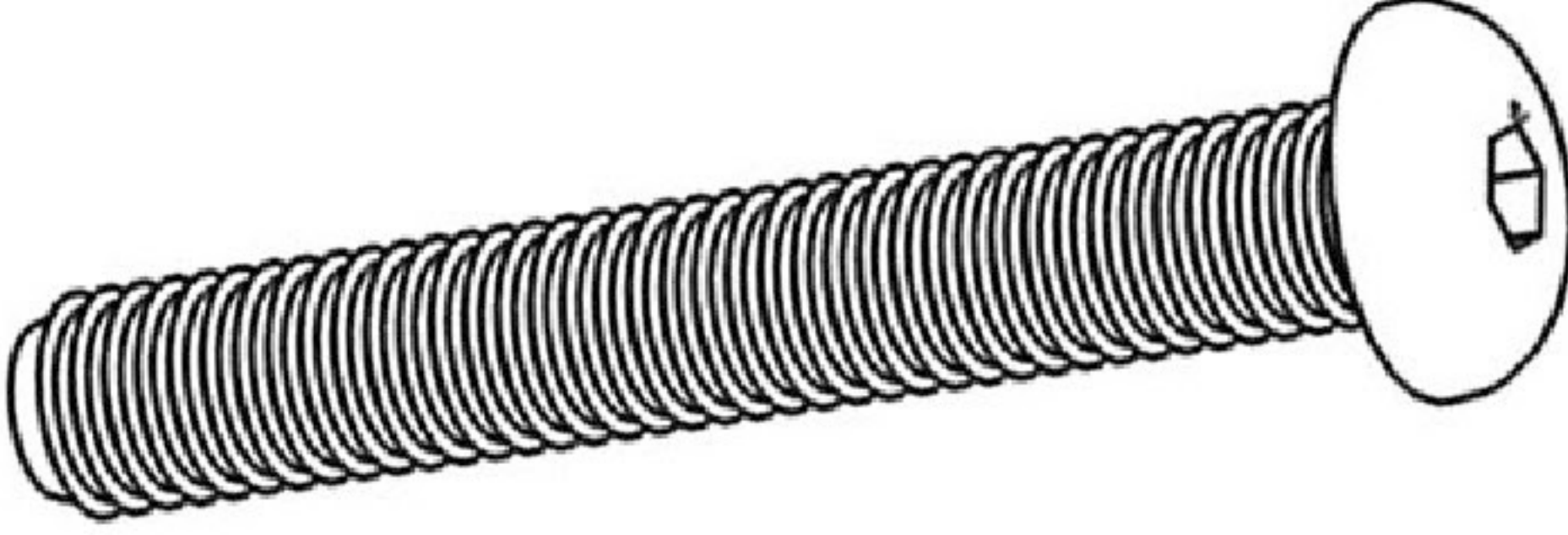
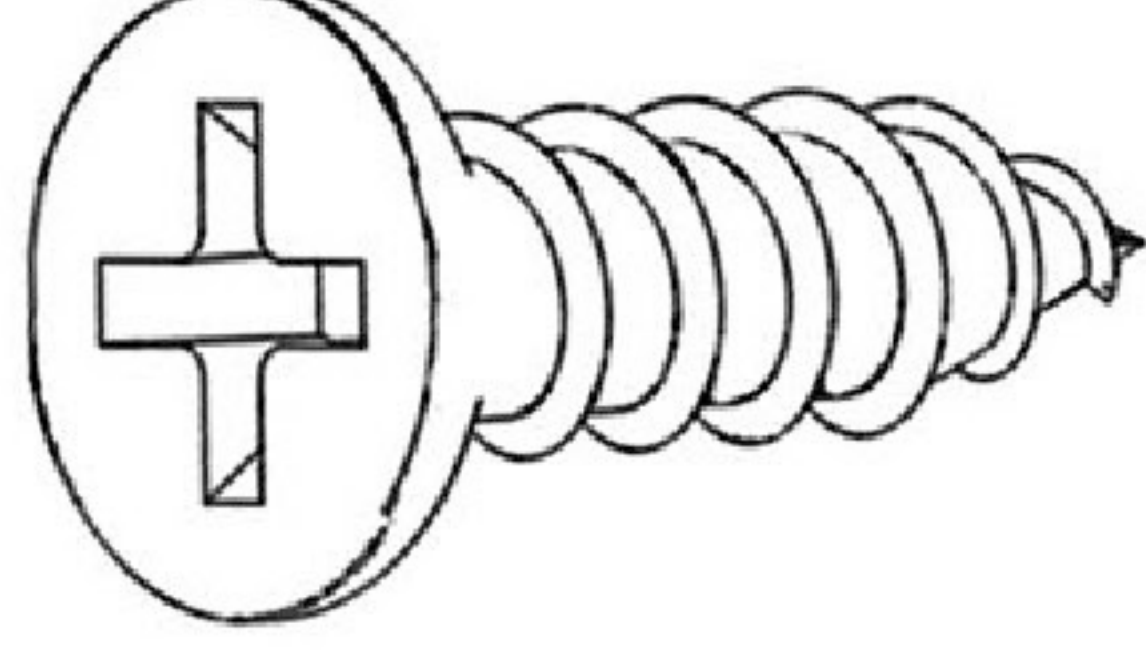
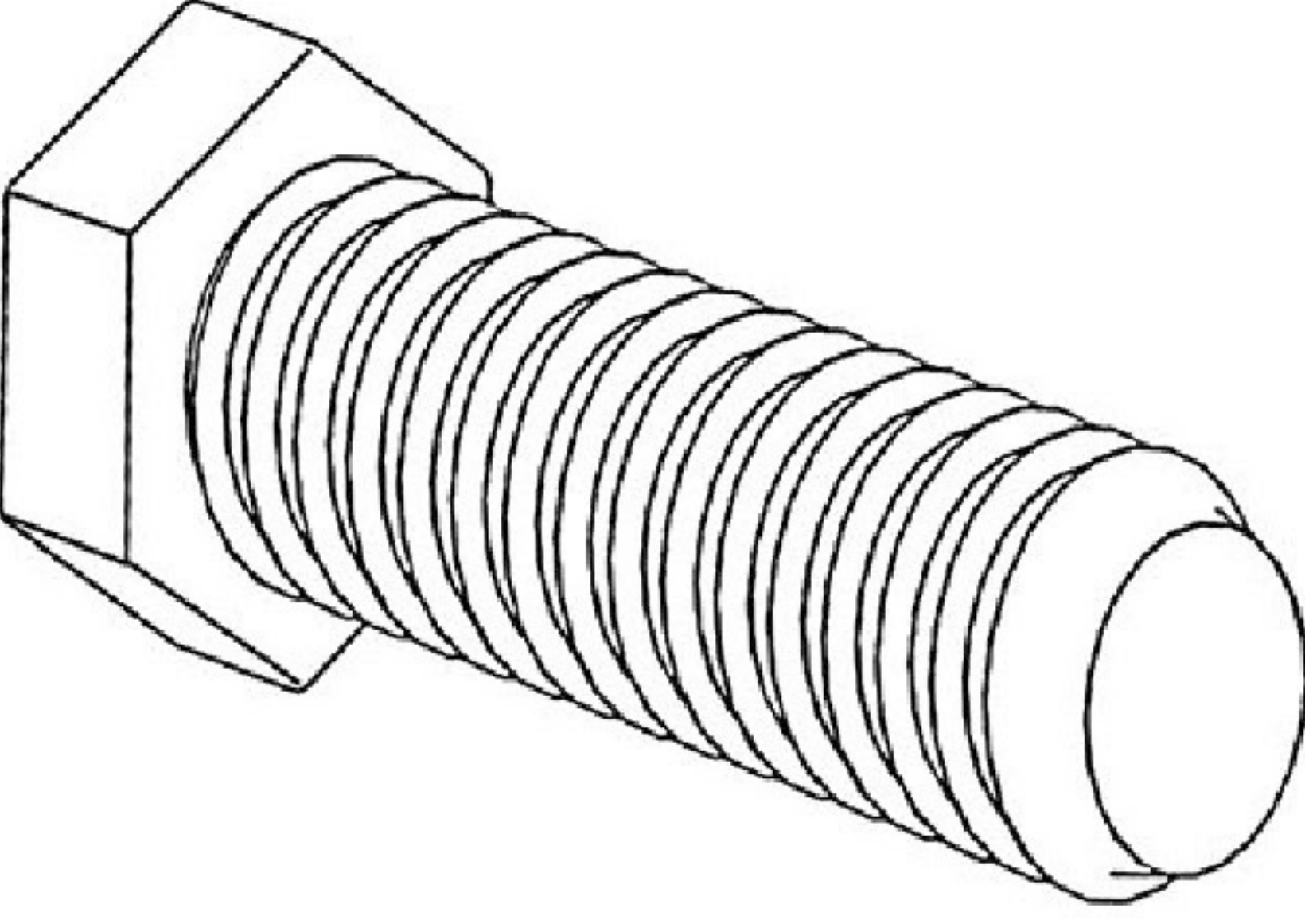
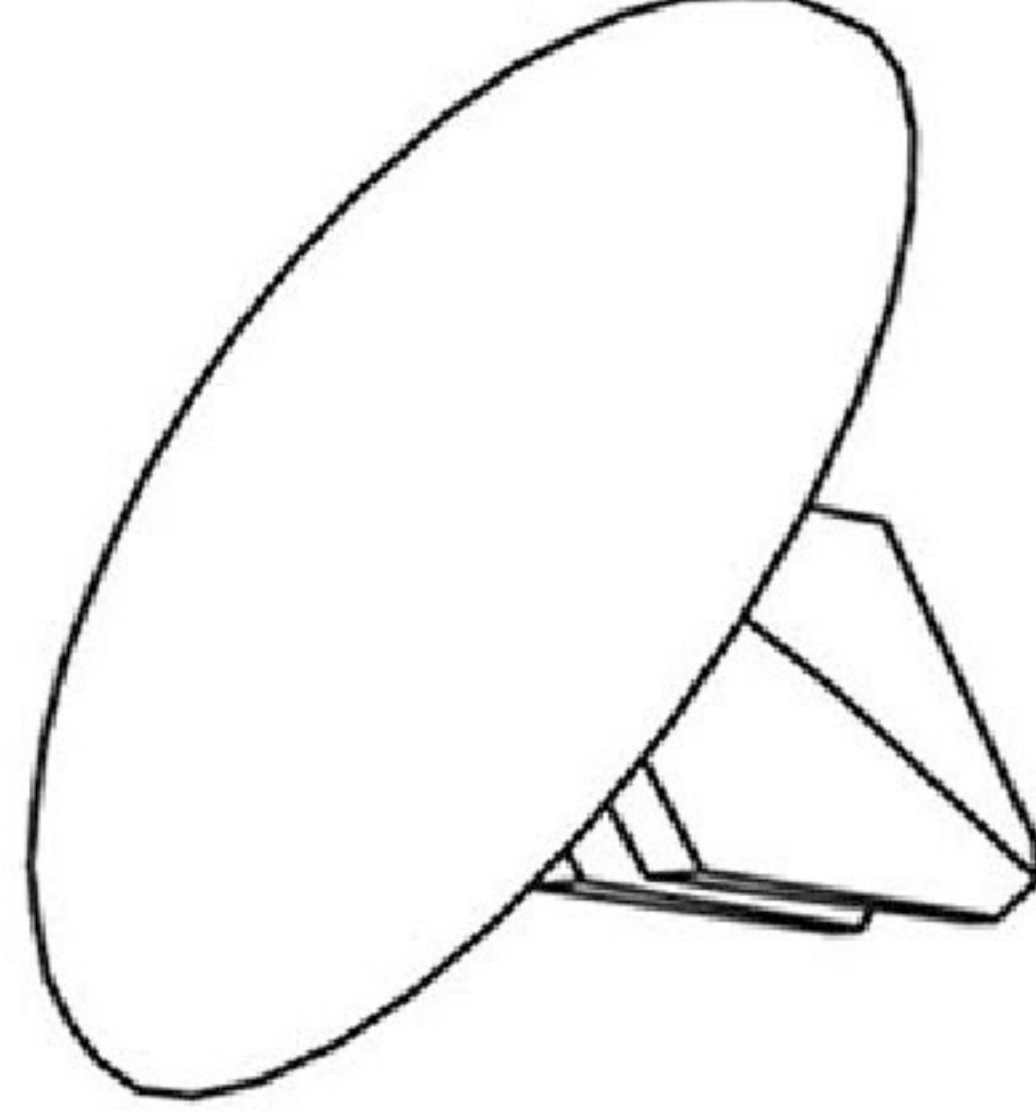
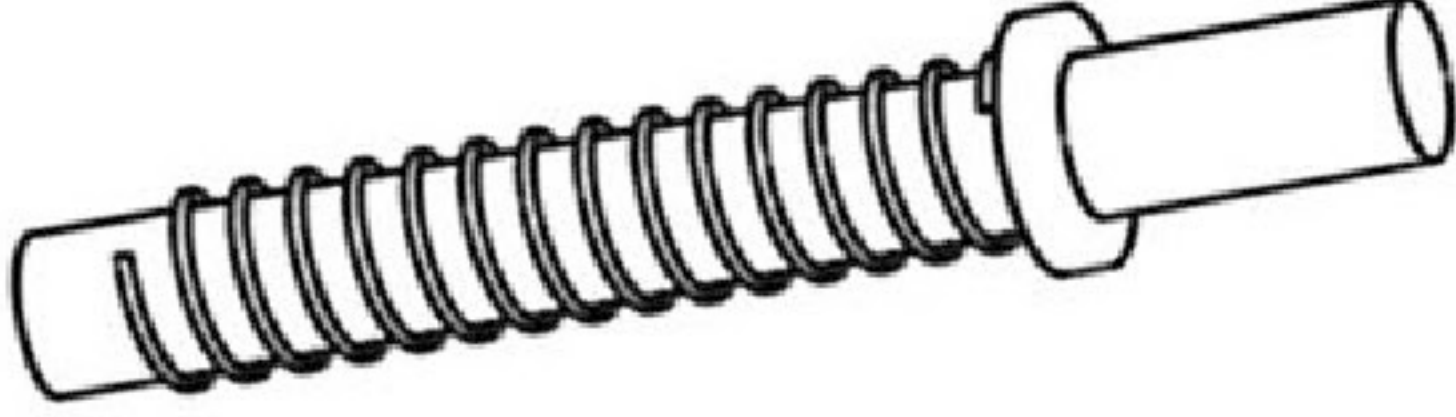
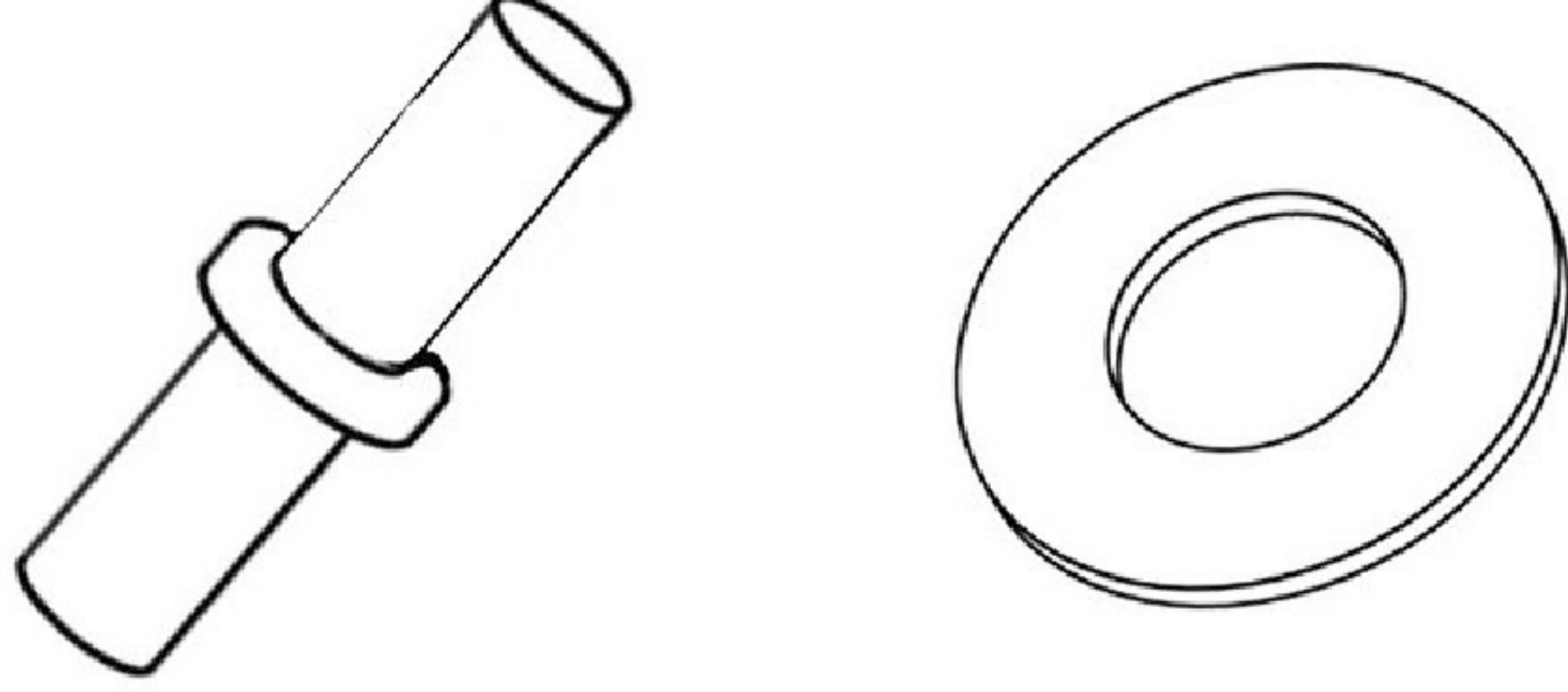
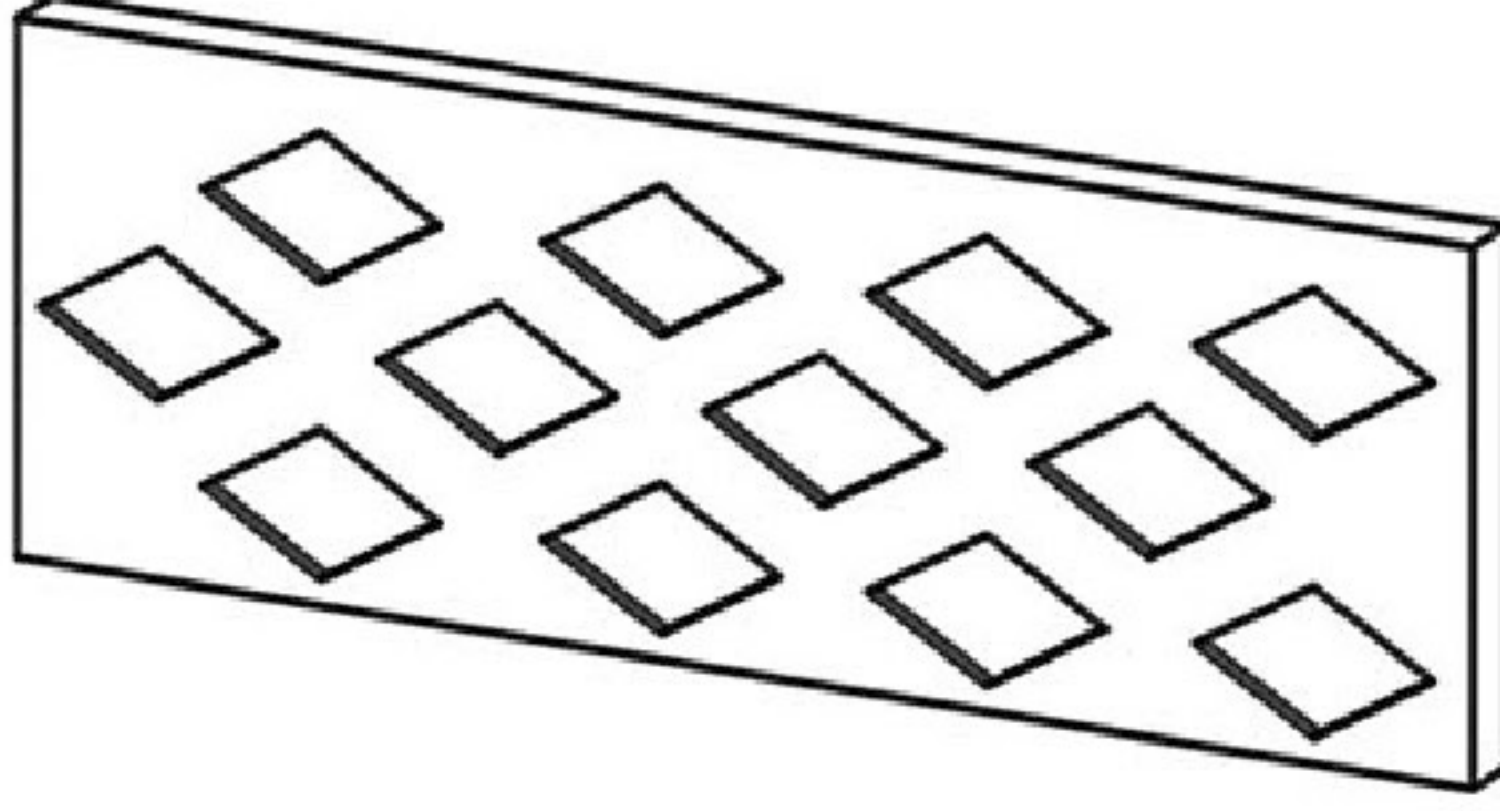
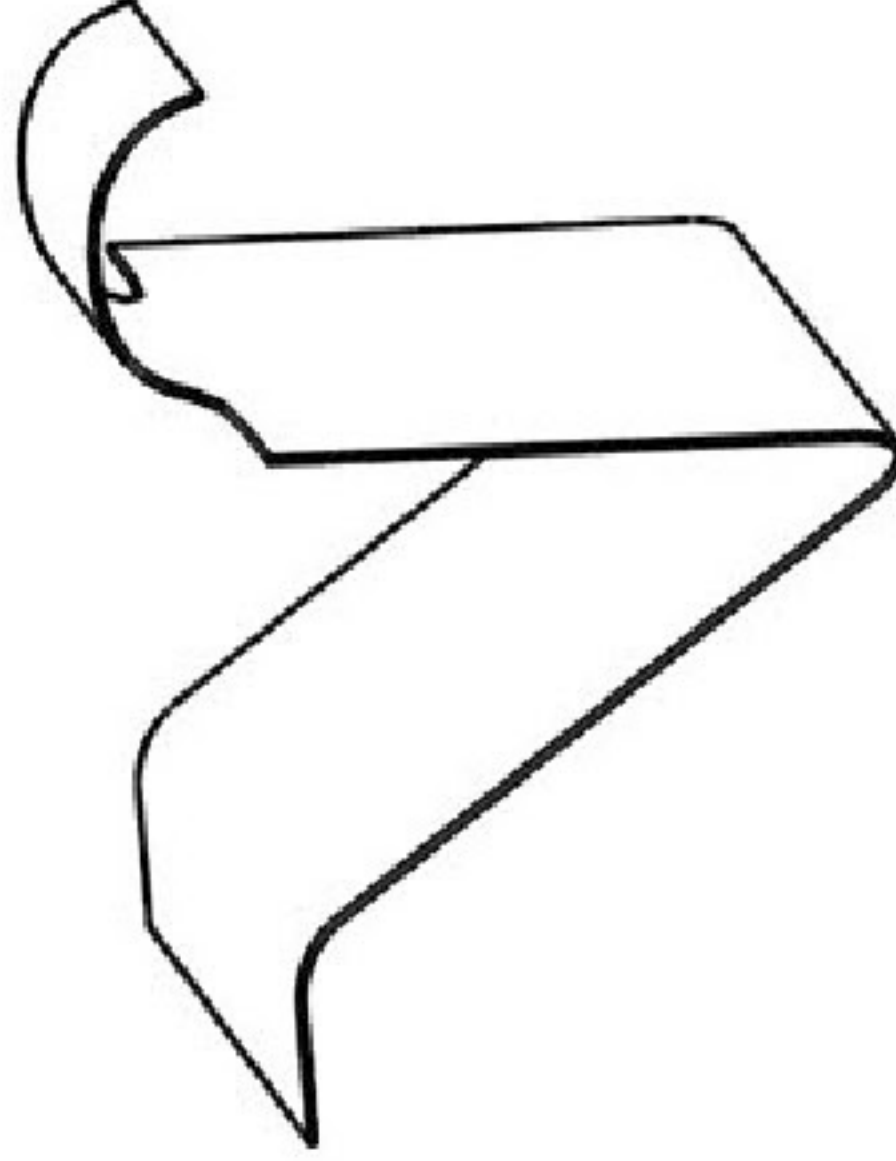

Key

1PCS



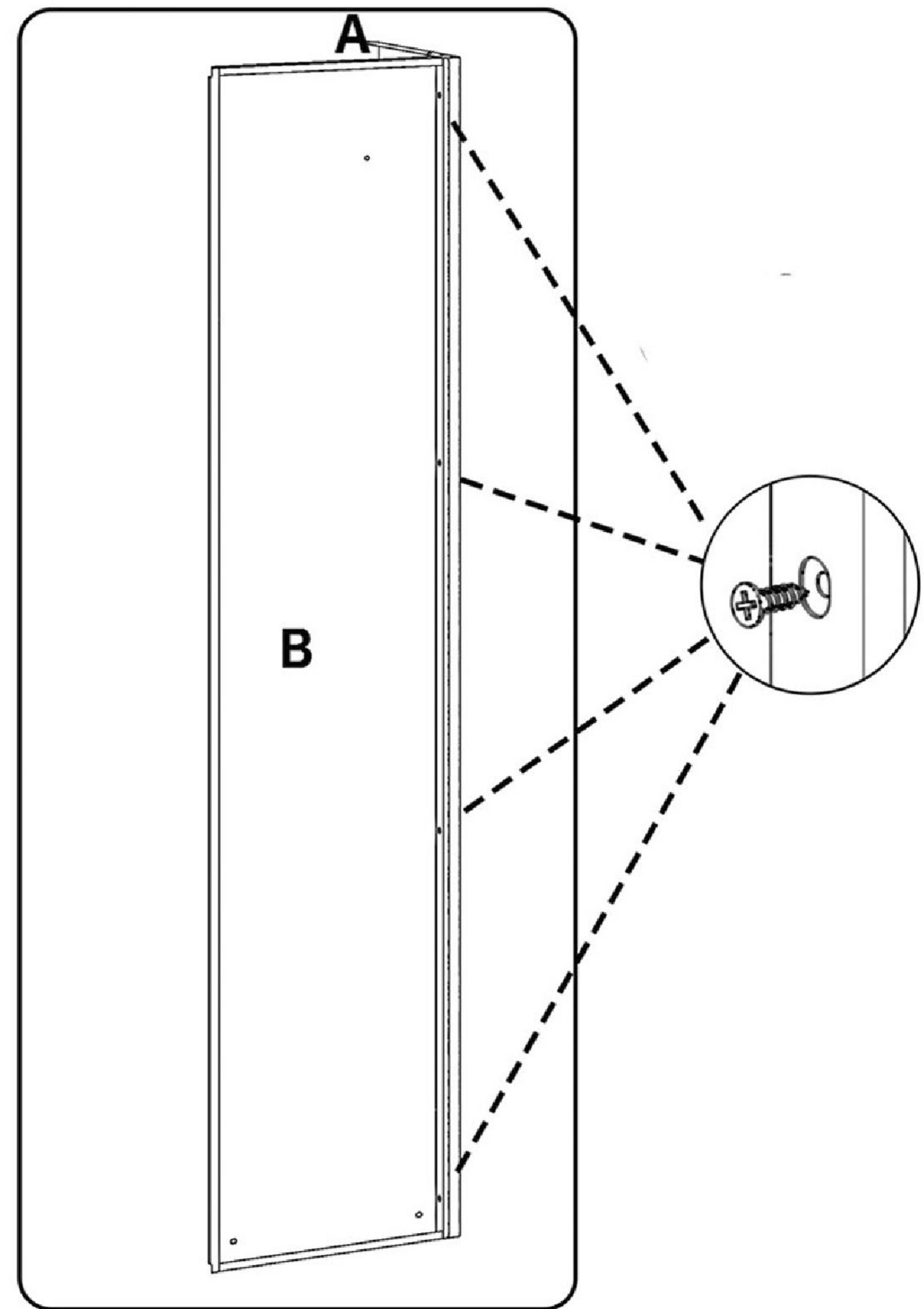
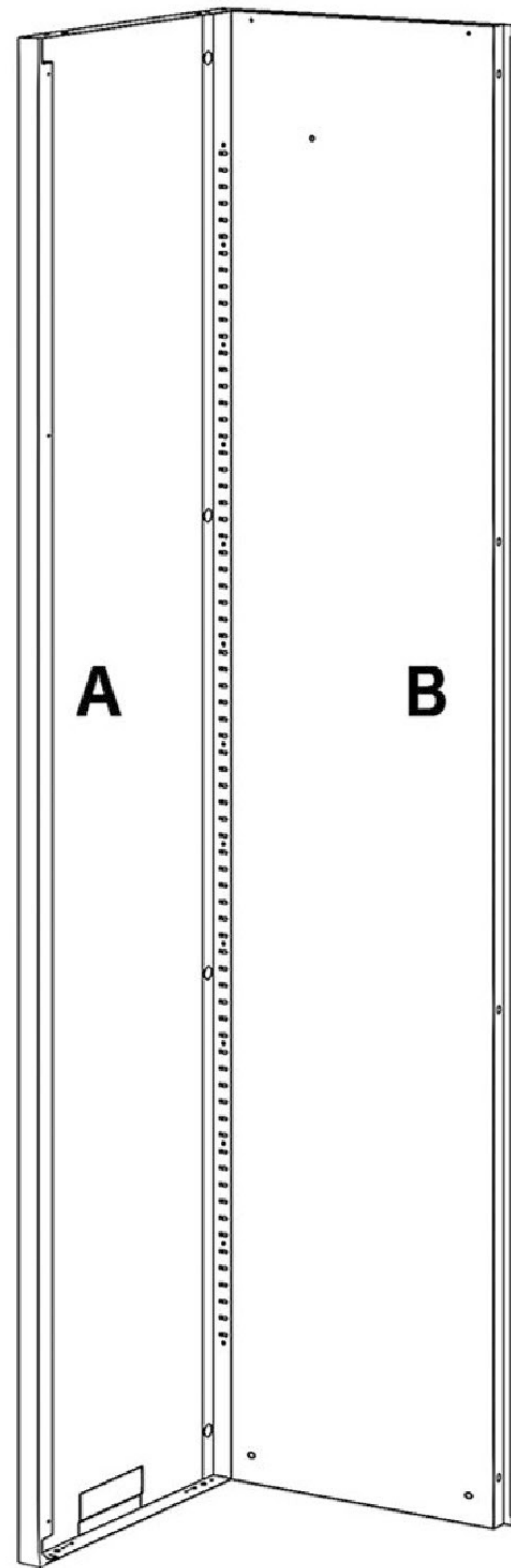
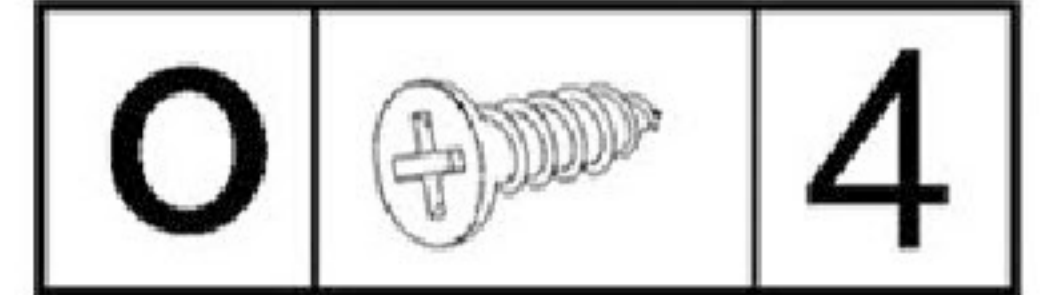
Attached on the right door K

Accessories

N-M4*22 Screw	4PCS	O-M4*8 Screw	47PCS
			
W-M8*25 Screw	16PCS	P-Stop Pad	2PCS
			
Q-Spring shaft	2PCS	R-Door Pivot & Shim	2PCS
 <p>Already pre-installed on the doors</p>			
T-Magnet	4PCS	U-Shelf Clasp	20PCS
			
V-Expansion Screw	2PCS		
			

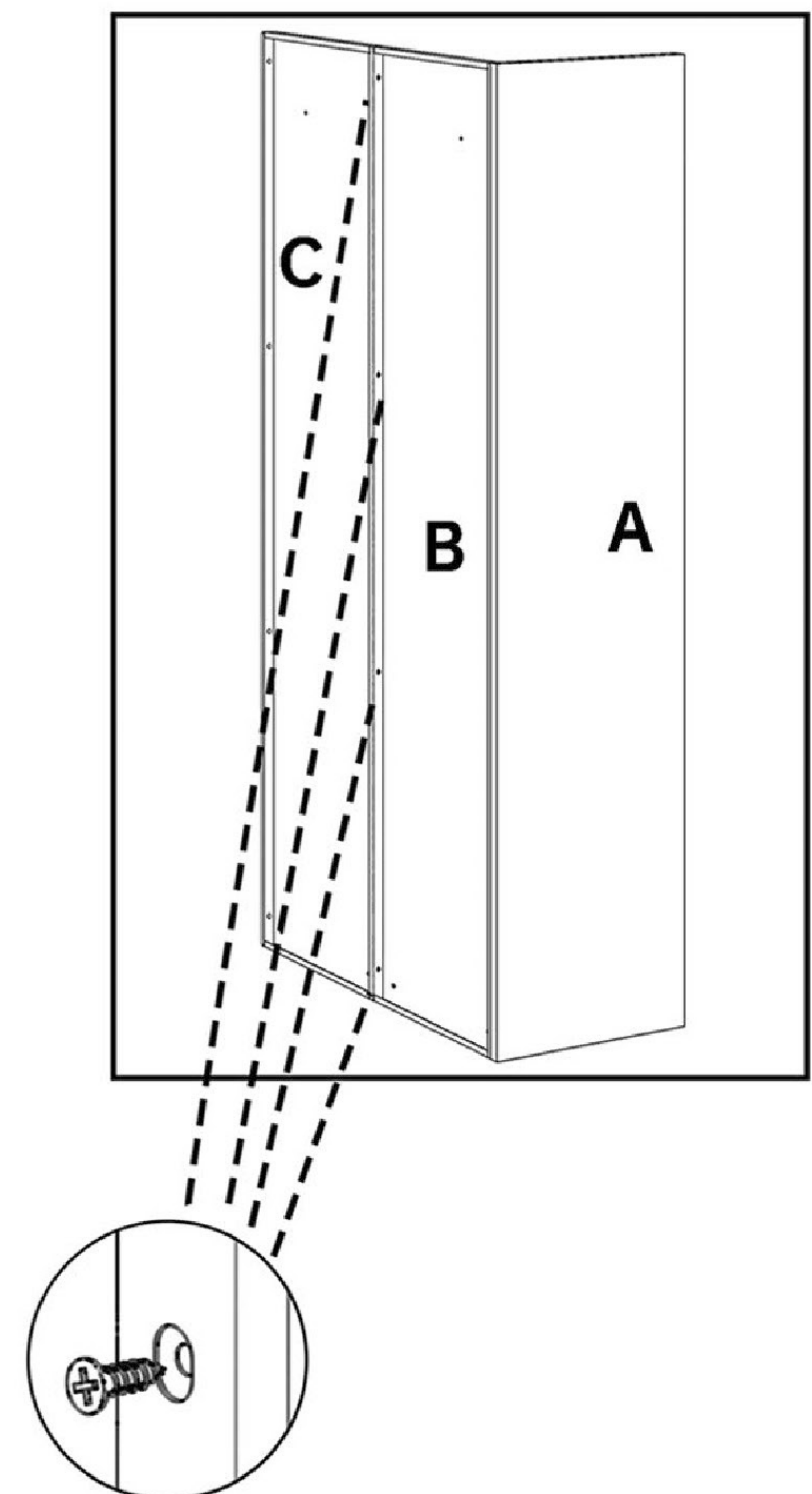
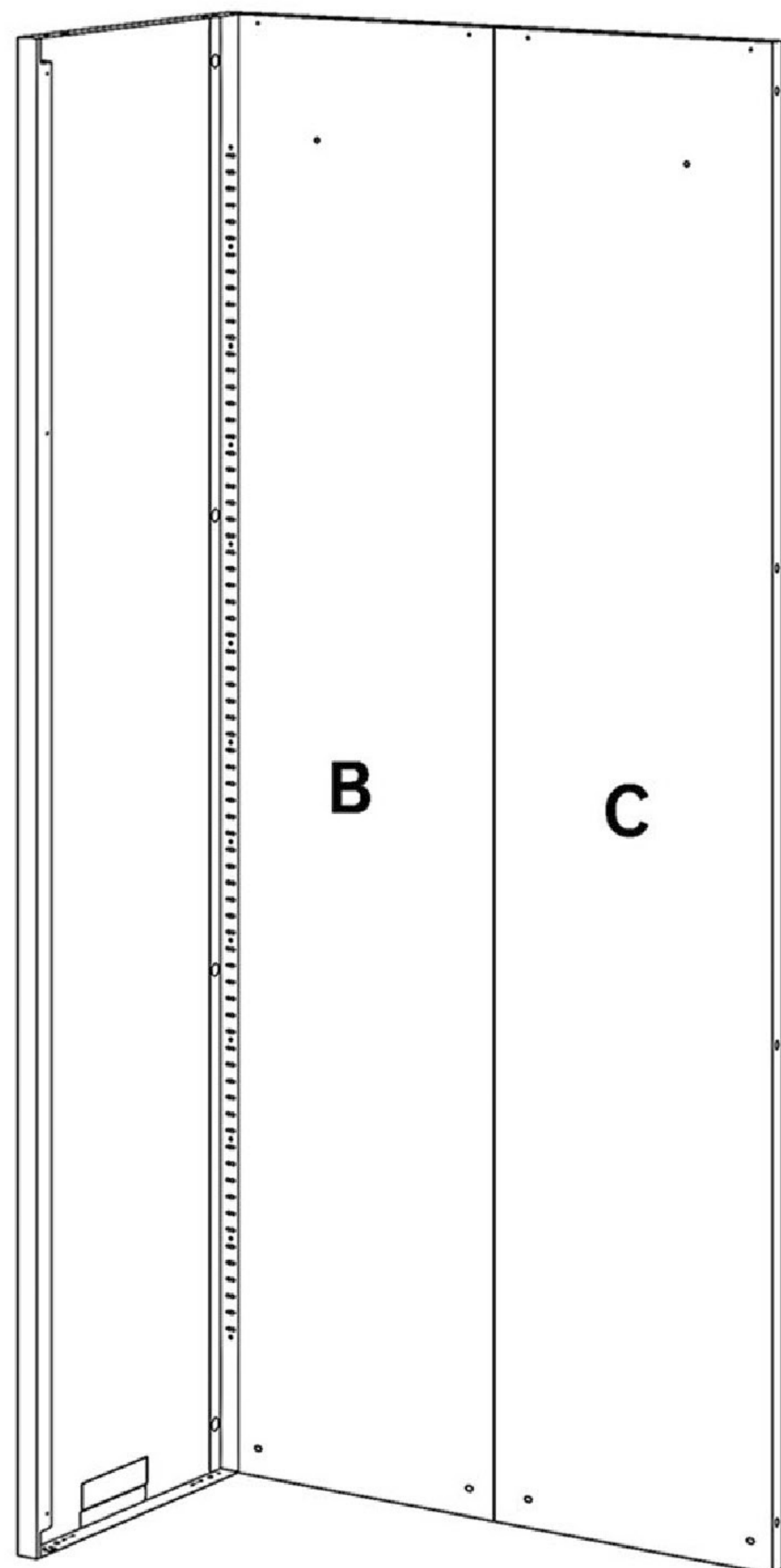
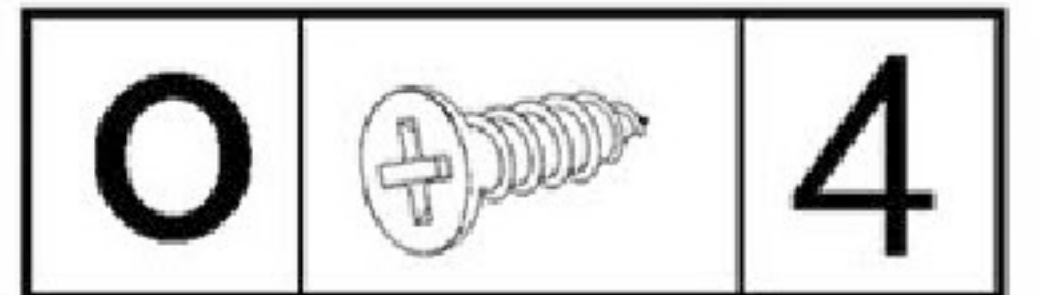
Step 1

Connect left side panel A and left back panel B with 4 screws O

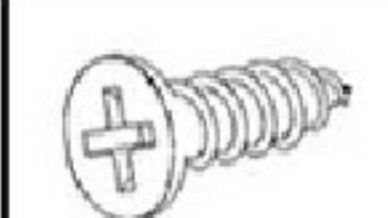


Step 2

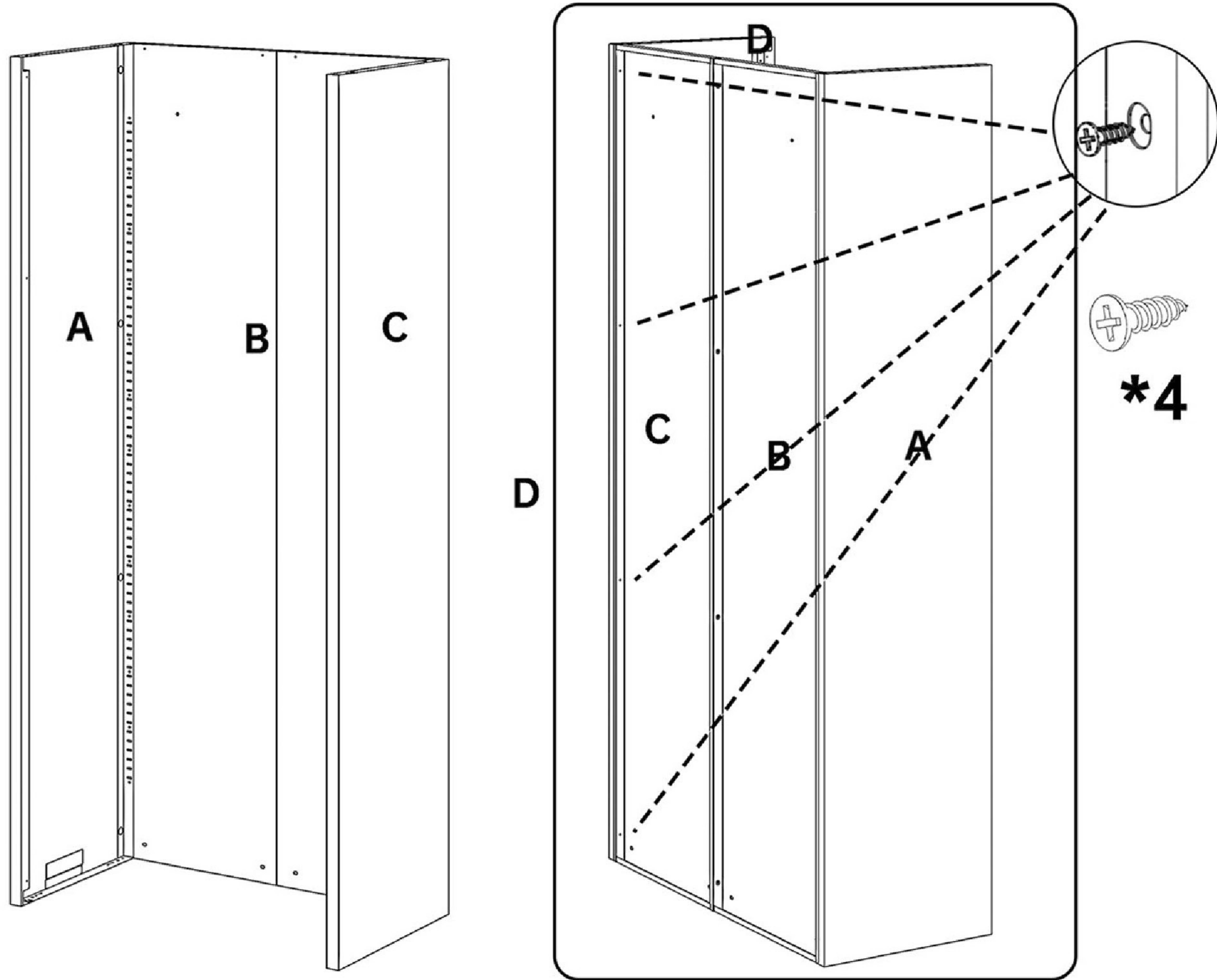
Connect left back panel B and right back panel C with 4 screws O



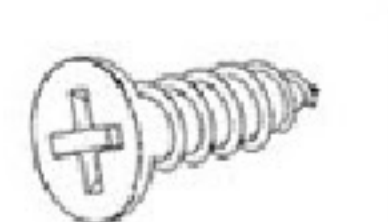
Step 3

O  4

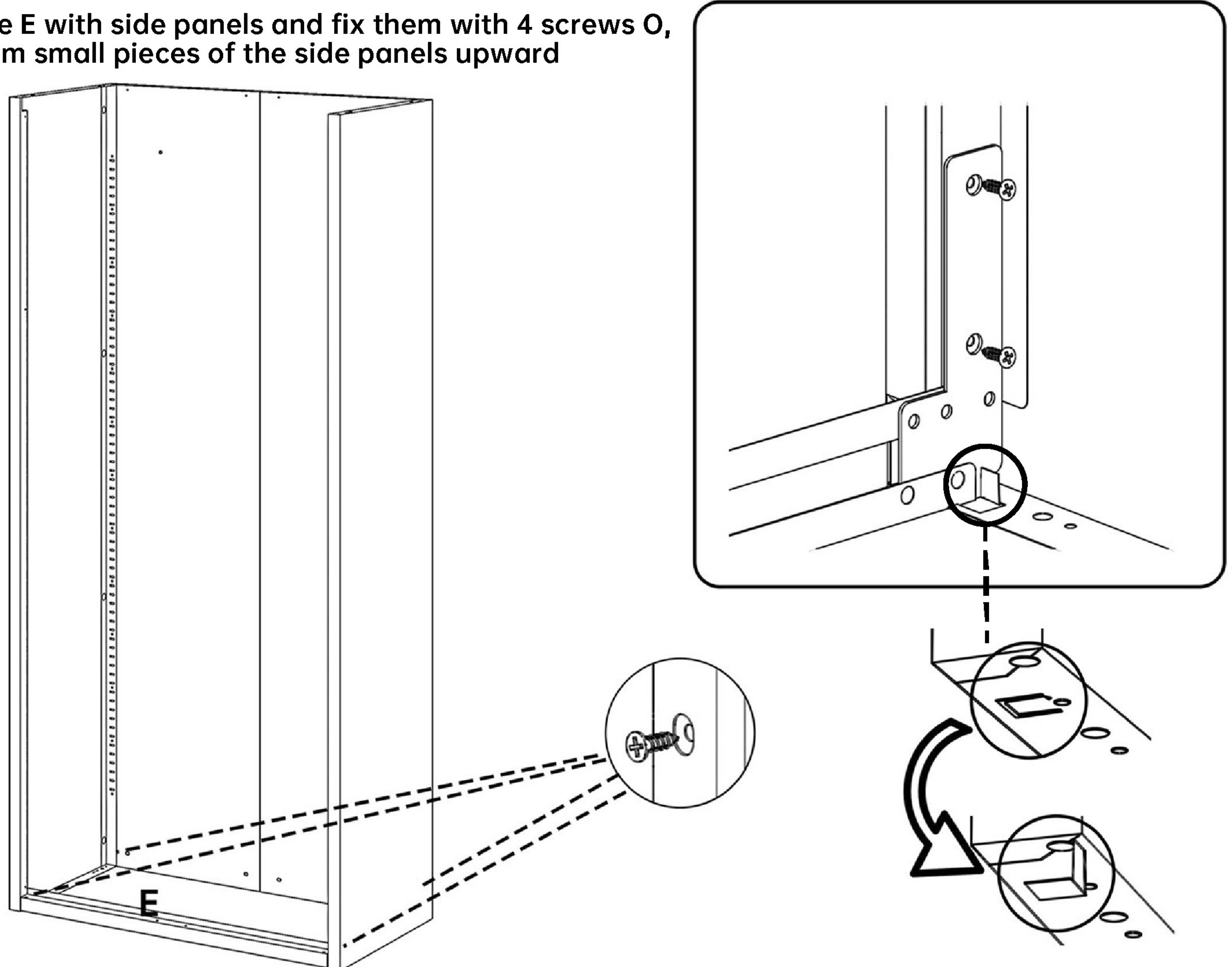
Connect right back panel C and right side panel D with 4 screws O



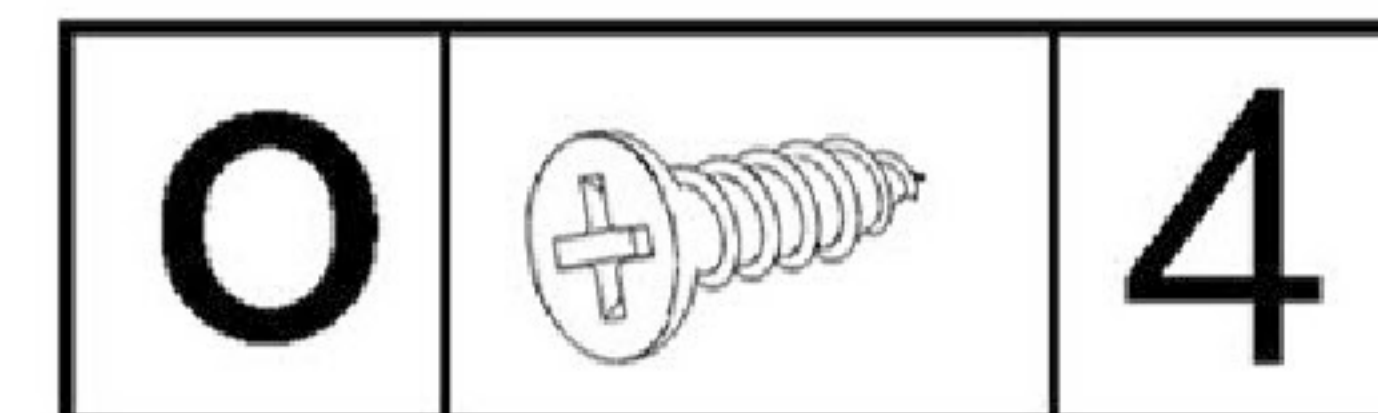
Step 4

O  4

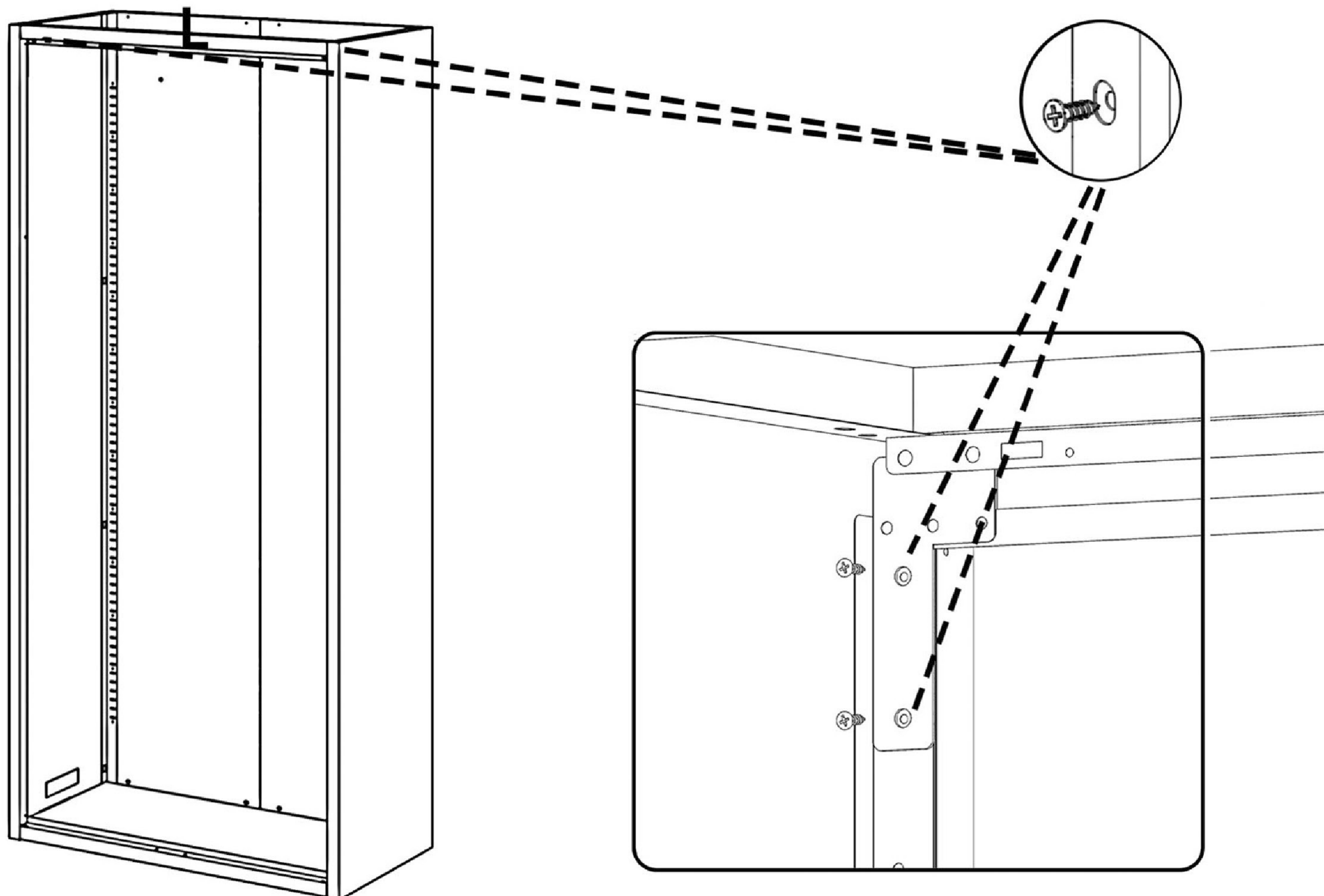
Connect kick plate E with side panels and fix them with 4 screws O, then push 2 bottom small pieces of the side panels upward



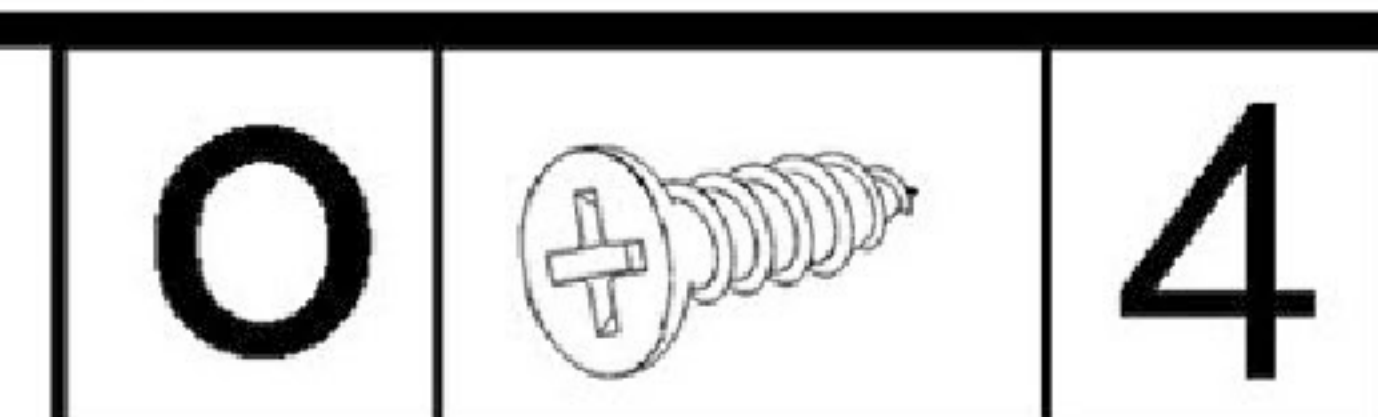
Step 5



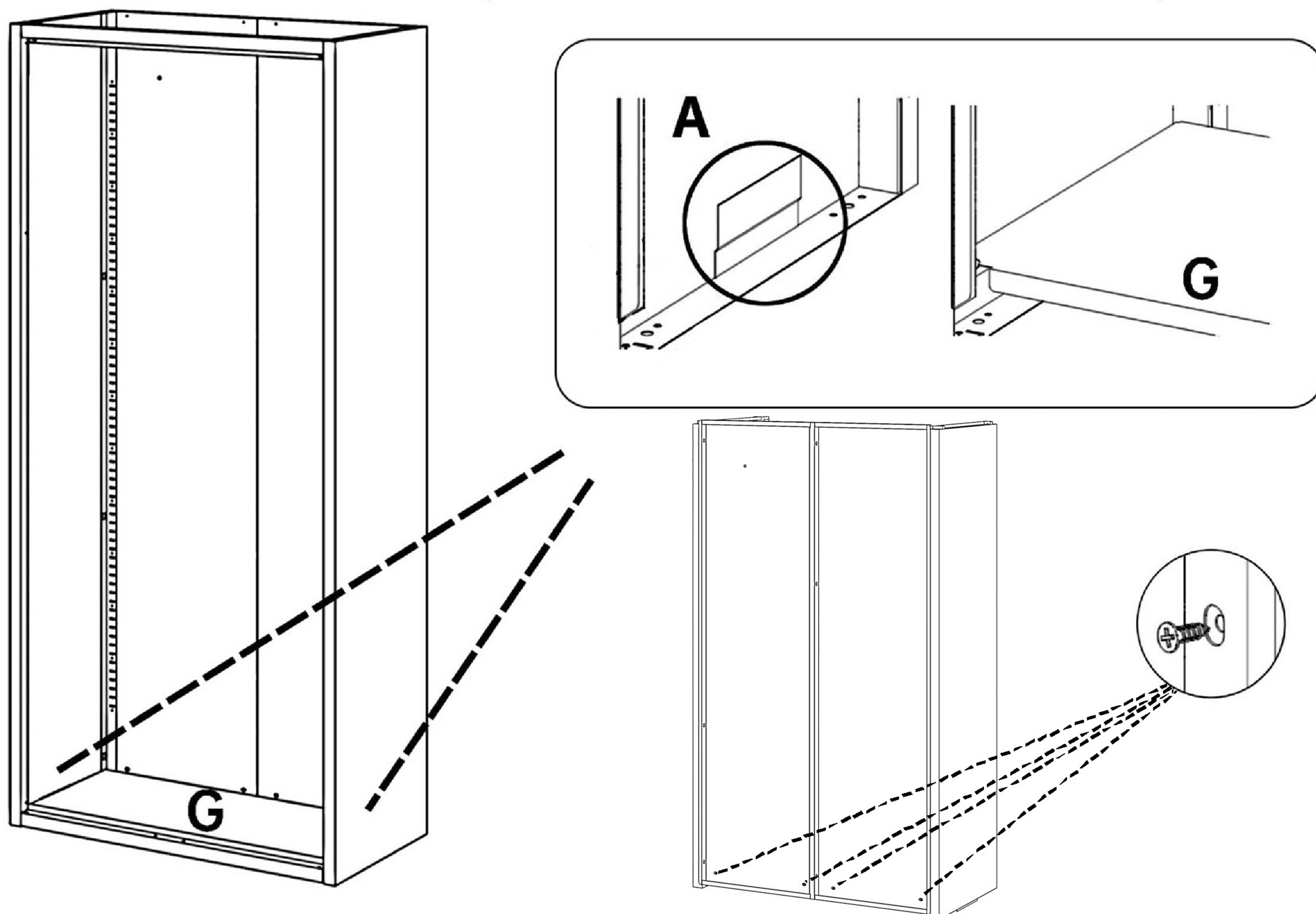
Connect top plate L with side panels and fix them with 4 screws O



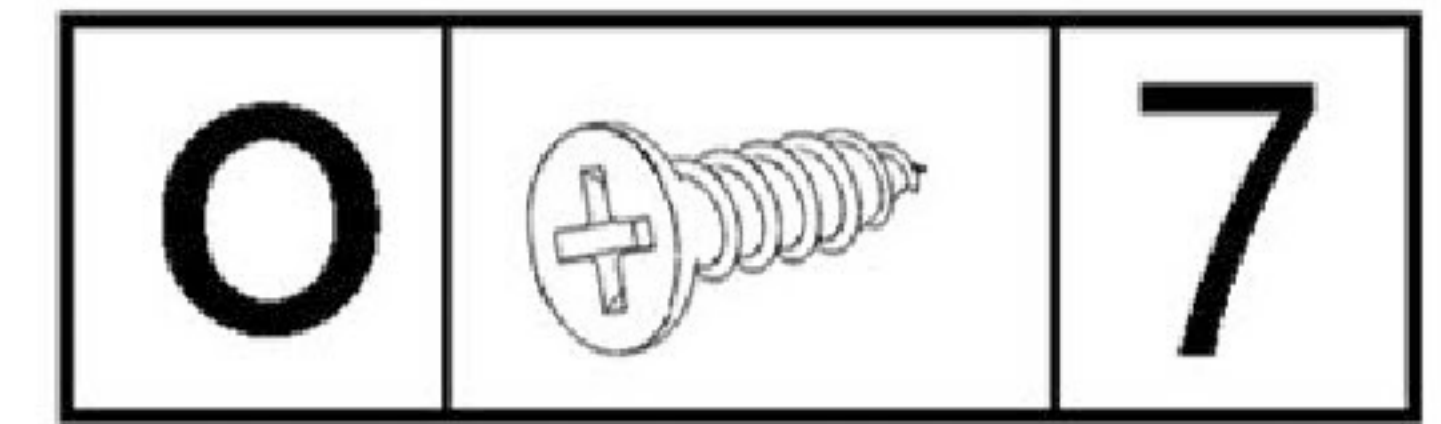
Step 6



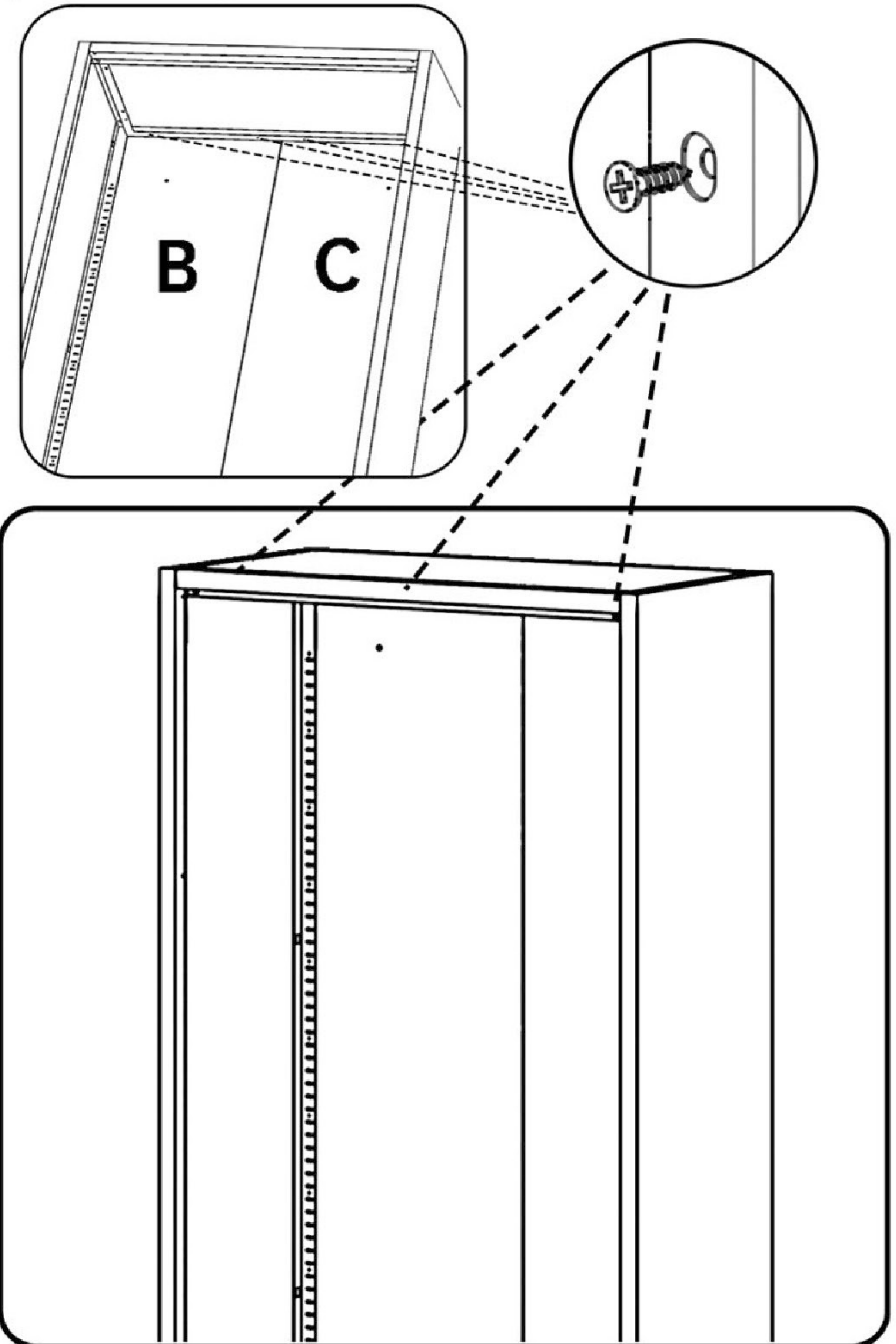
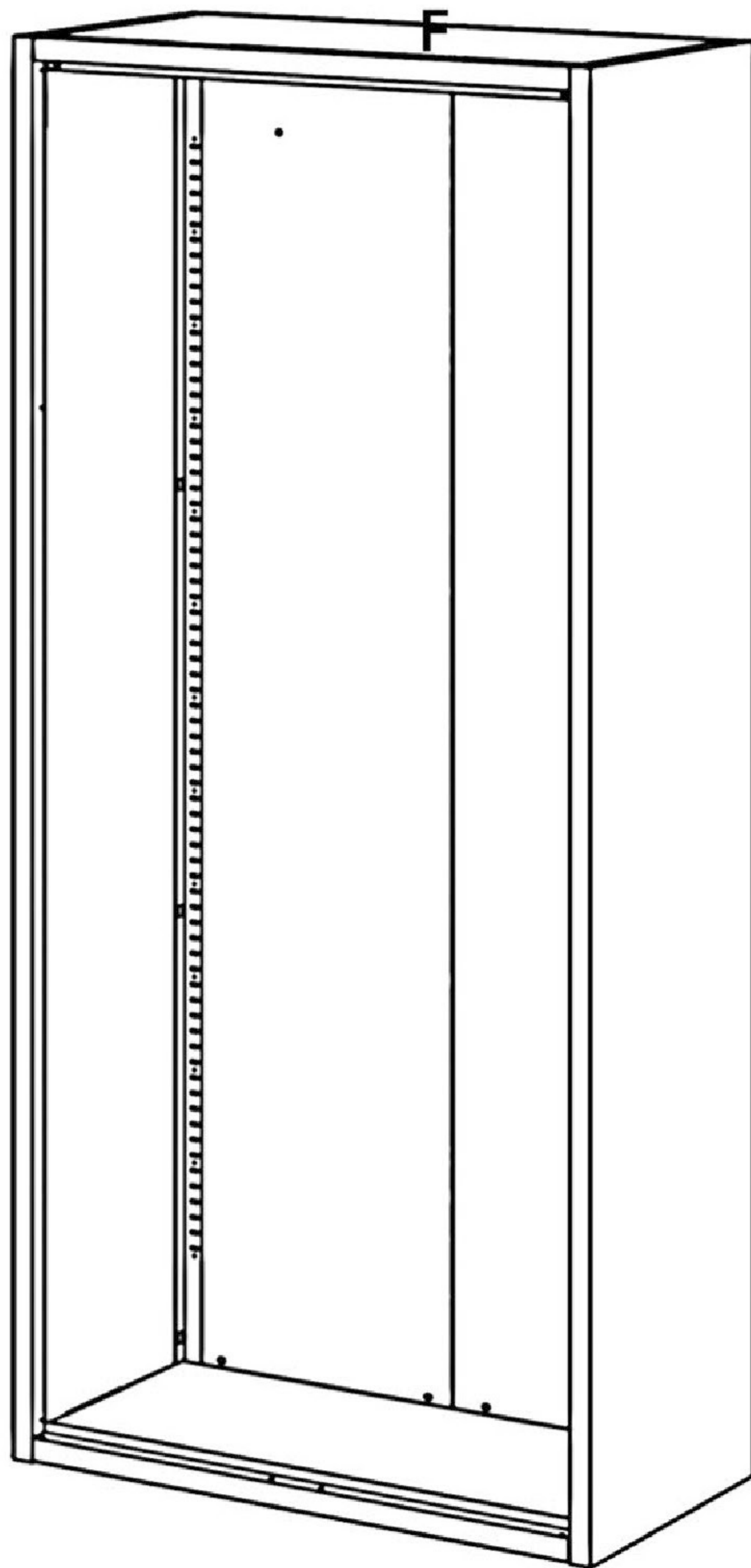
Tilt bottom panel G into the cabinet and fix it with back panels by 4 screws O
(Ensure that the both sides of bottom panel are inserted into the slots of side panels)



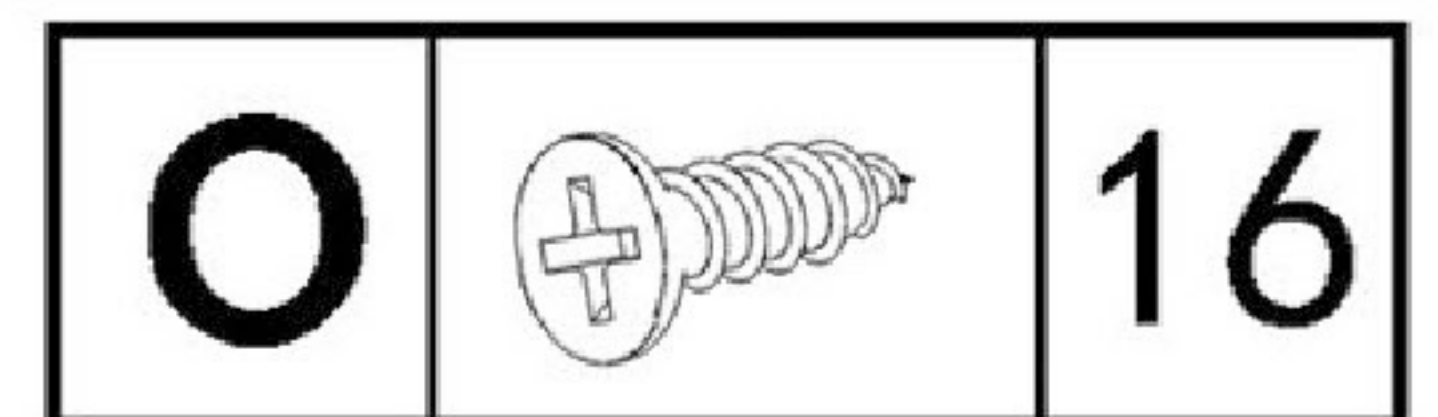
Step 7



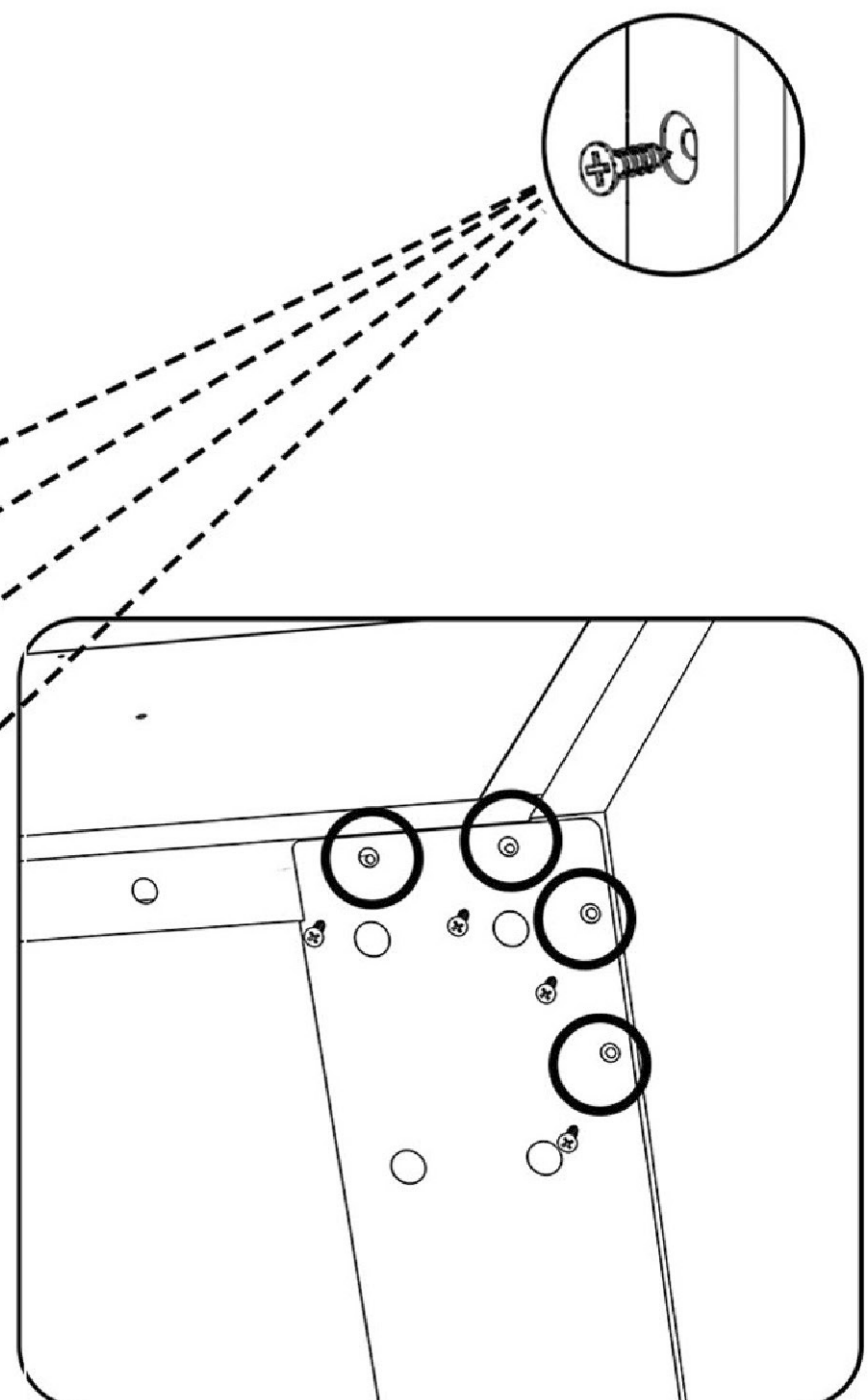
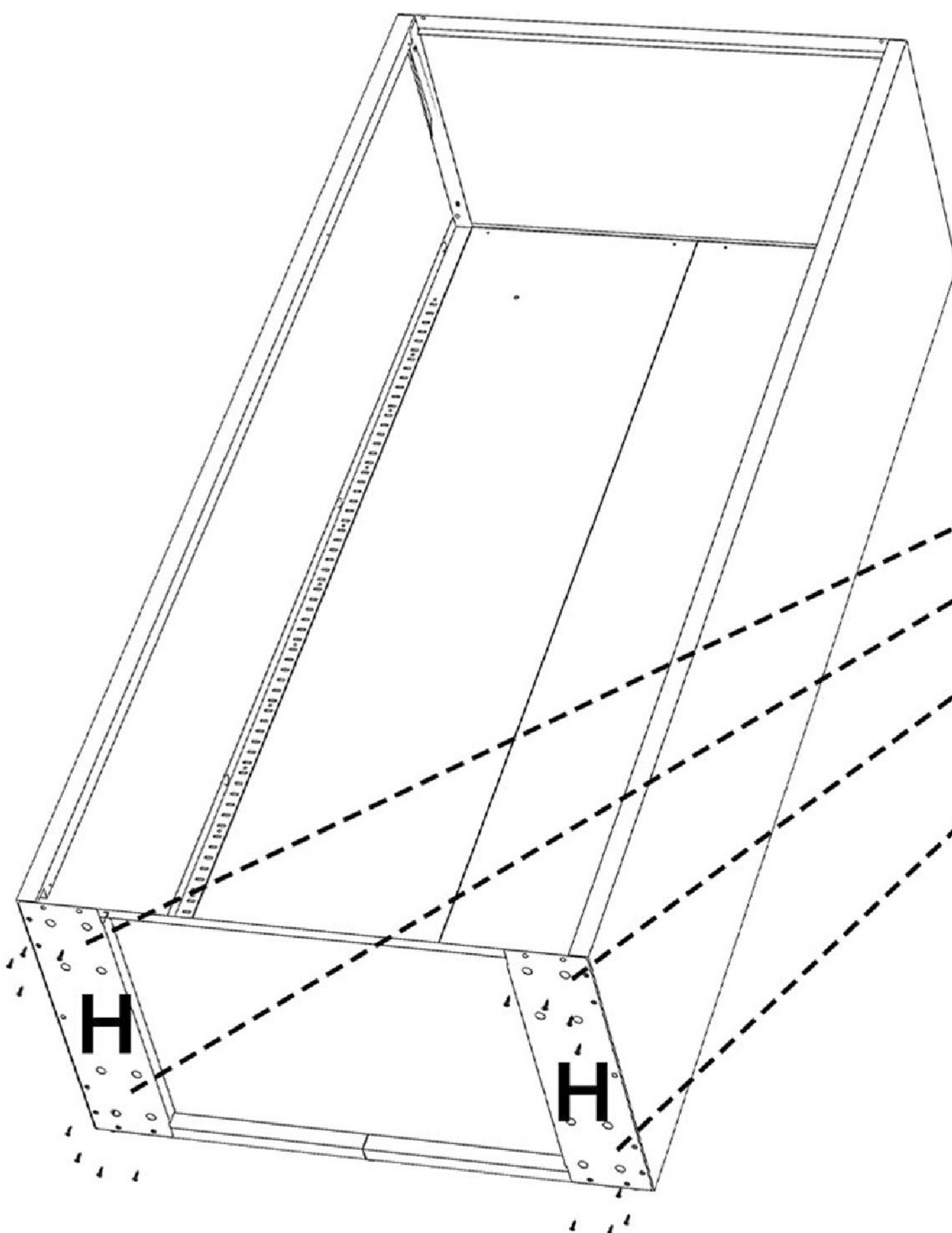
Install top panel F and fix it with back panels and top plate L by 7 screws O



Step 8

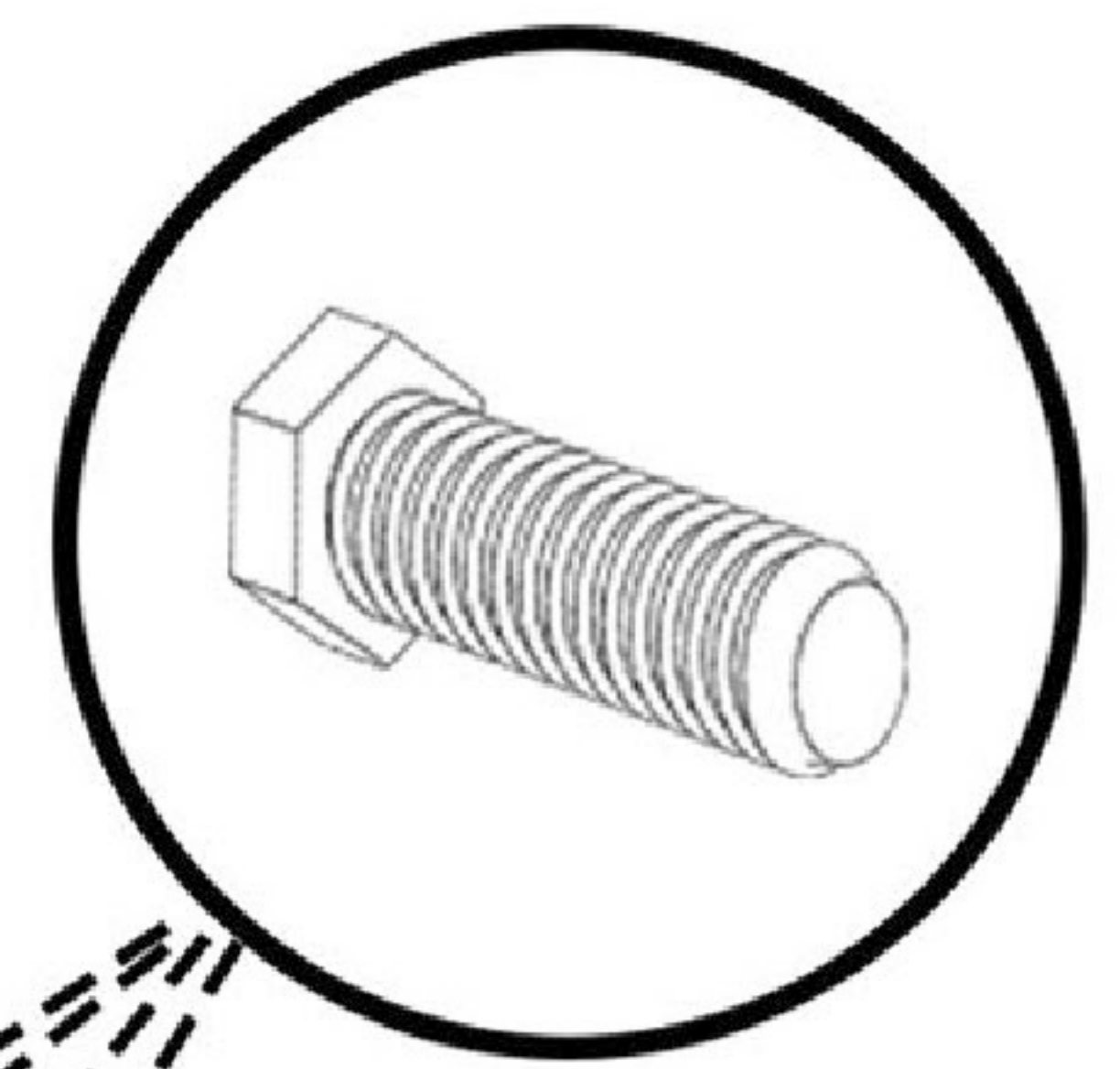
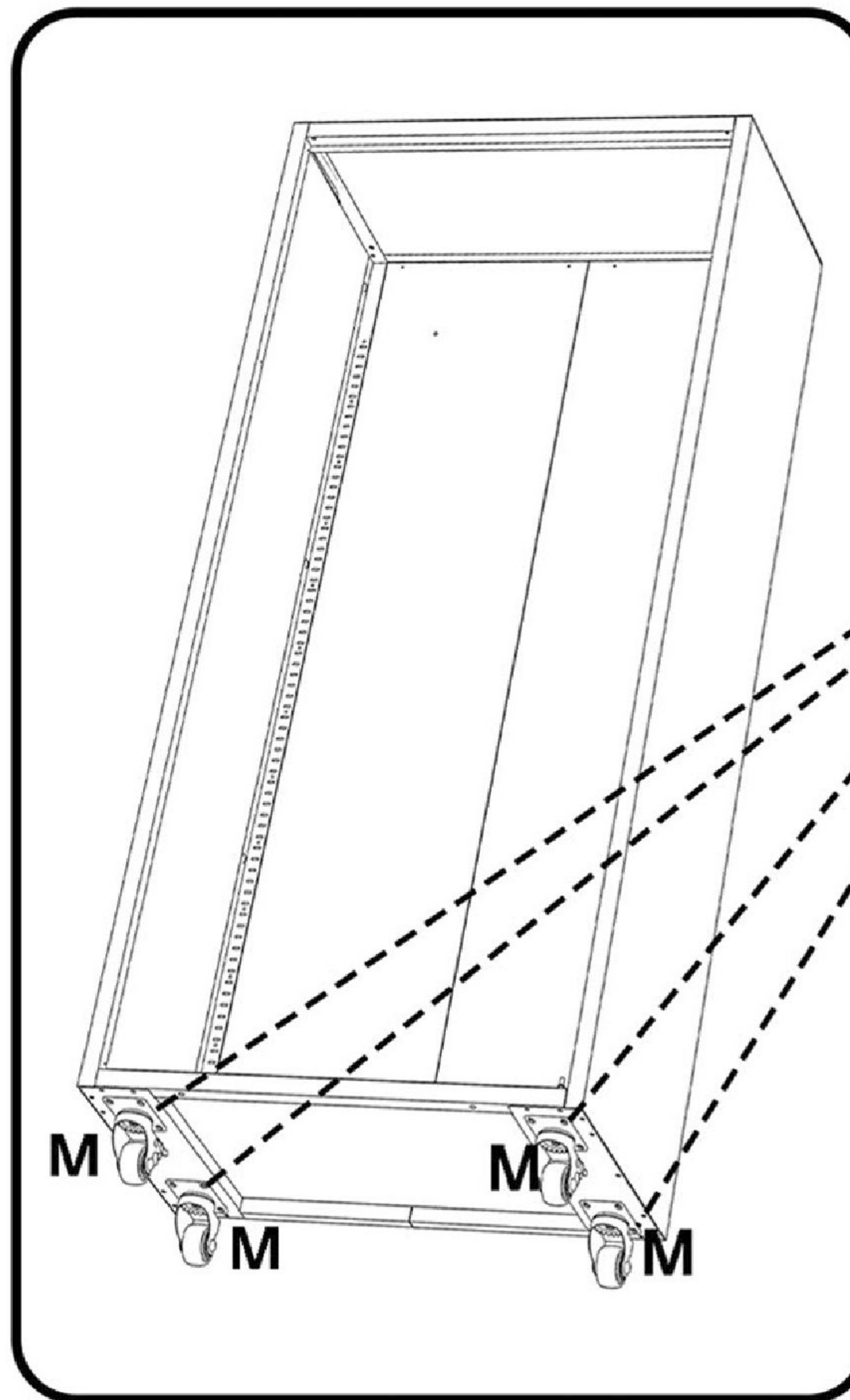
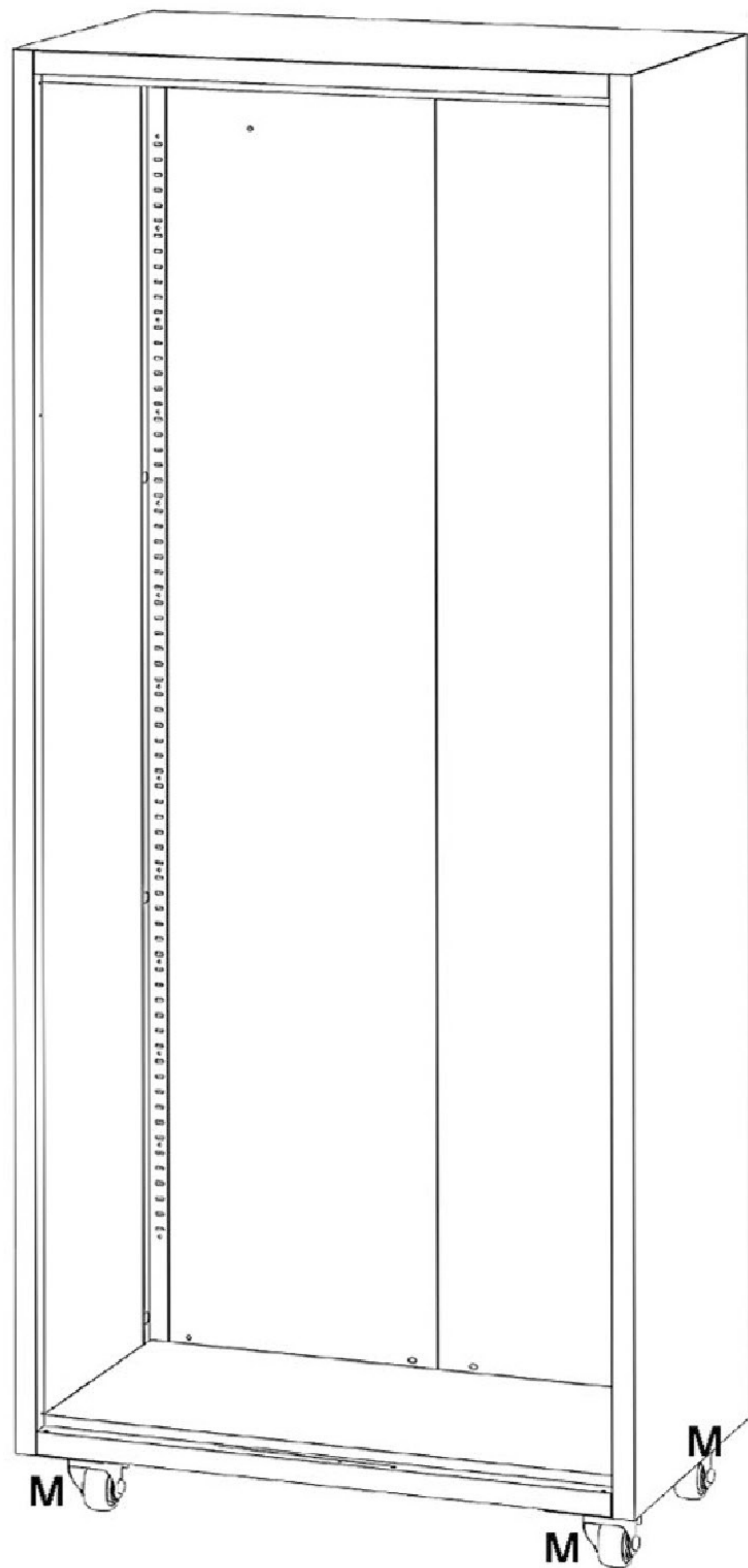
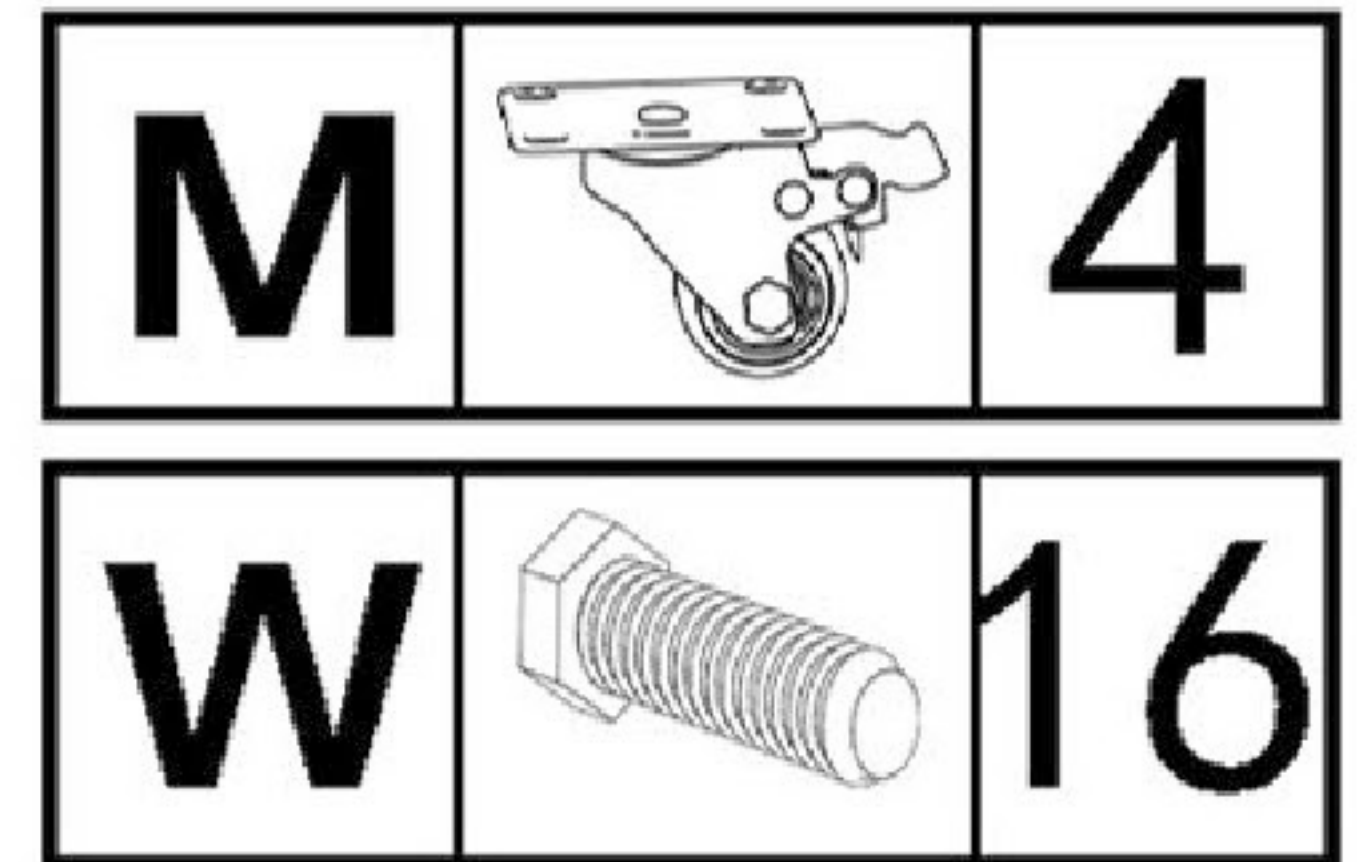


Install 2 bases H at the bottom of the cabinet and fix them with 16 screws O



Step 9

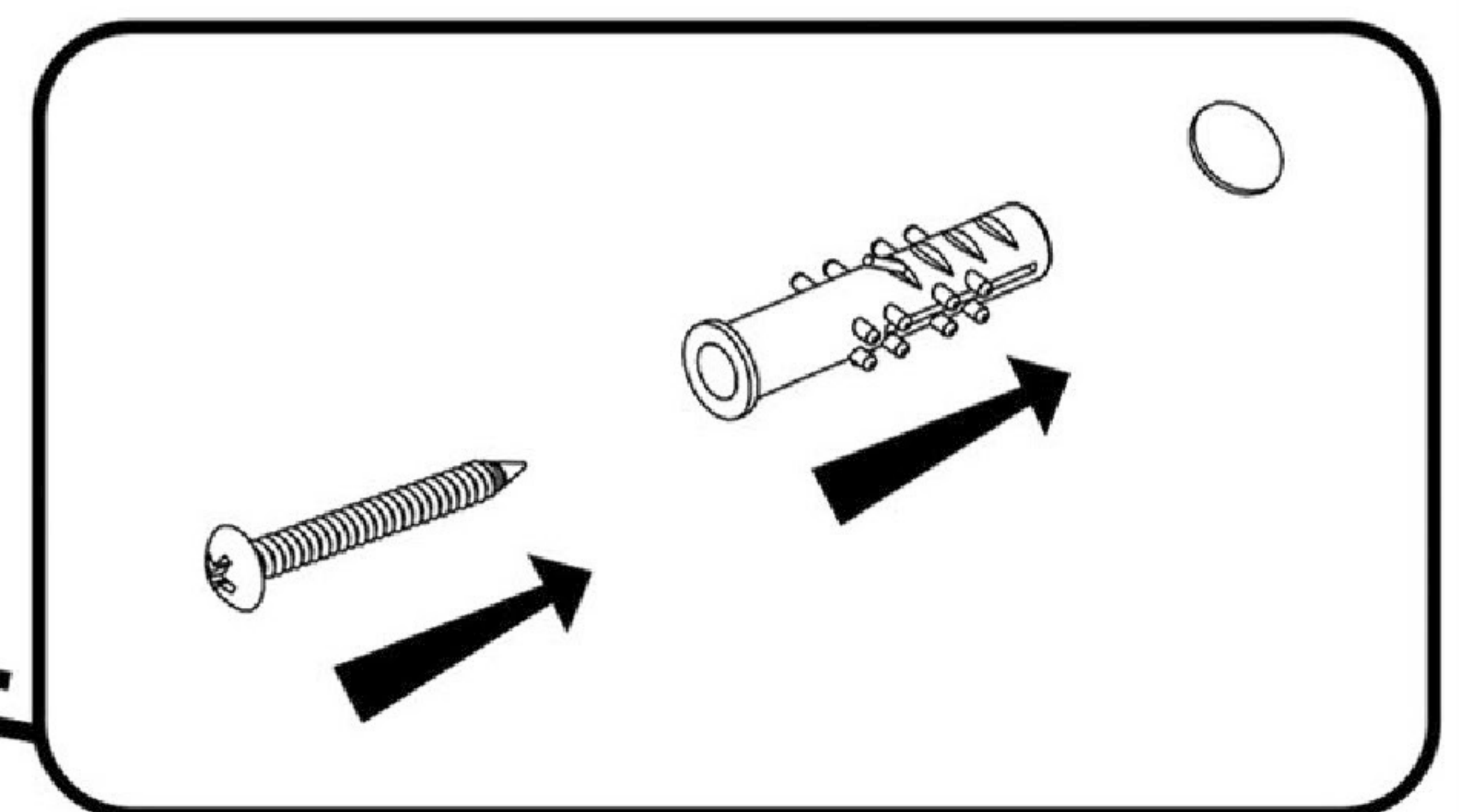
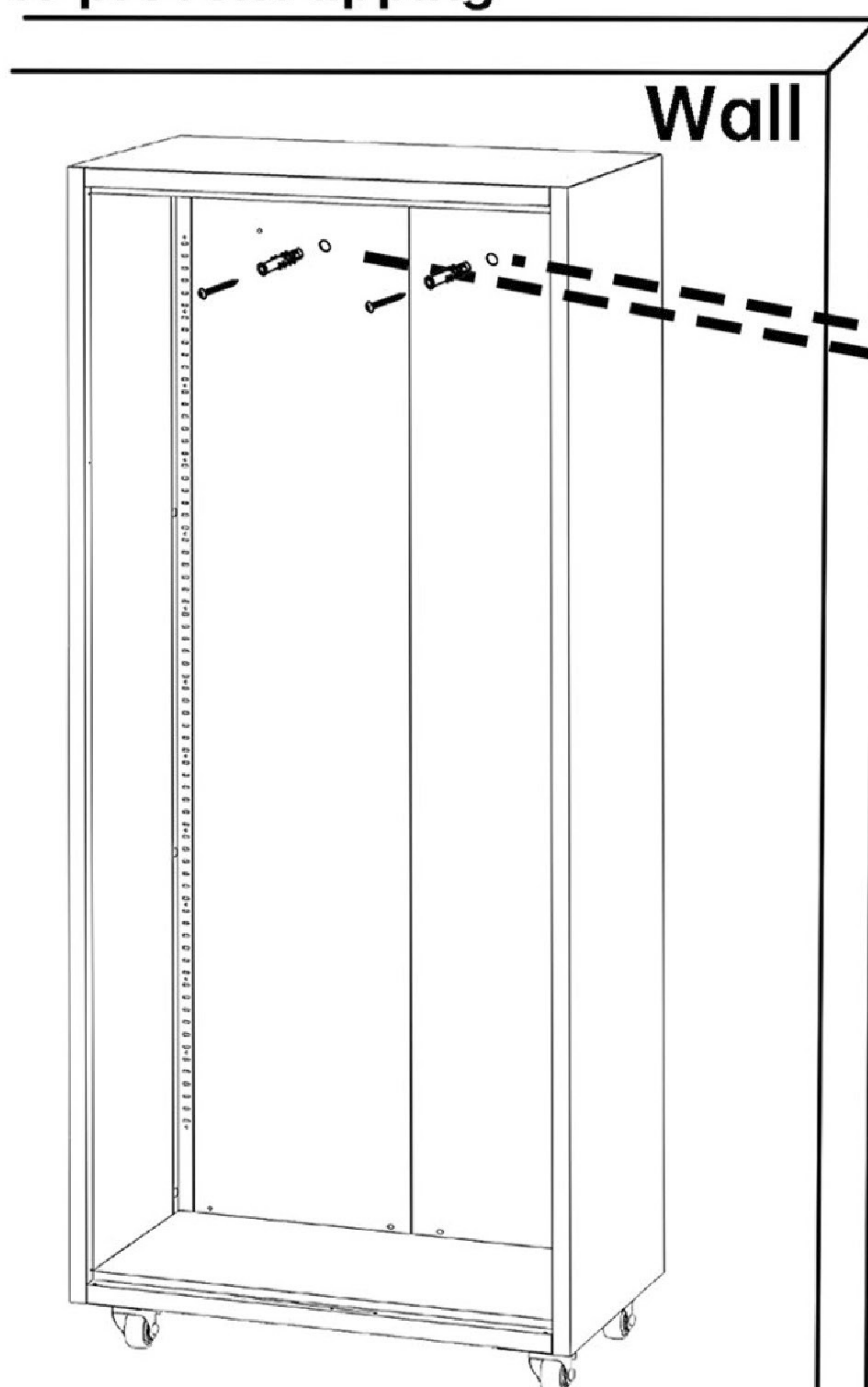
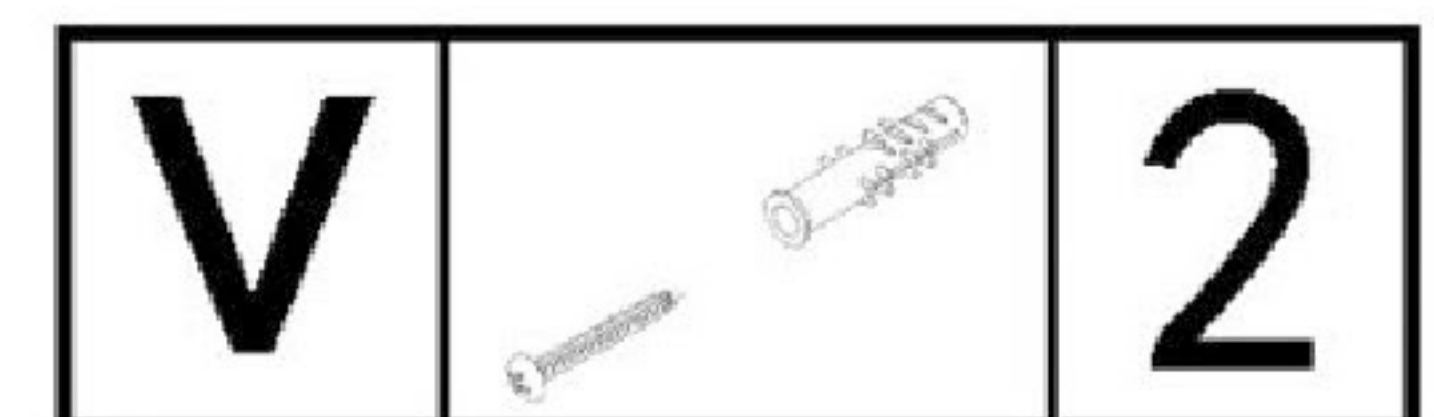
Fix 4 brake wheels M on the bases with 16 screws W



Please lock 4 wheels to keep stable before proceeding with the next steps.

Step 10

Fix the cabinet on the wall with 2 expansion screws V to prevent tipping



 **DANGER**



Always secure this furniture with an anchor device.

Unsecured furniture can cause serious injury or death to children.

Never allow children to stand, climb or hang on drawers, doors or shelves.

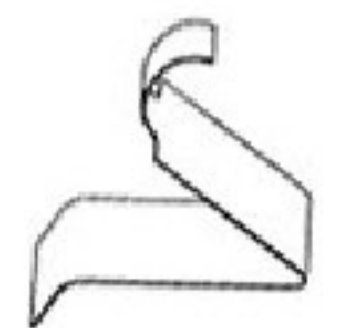
Never open more than one drawer or door at a time.

Place the heavy items on the lower position.

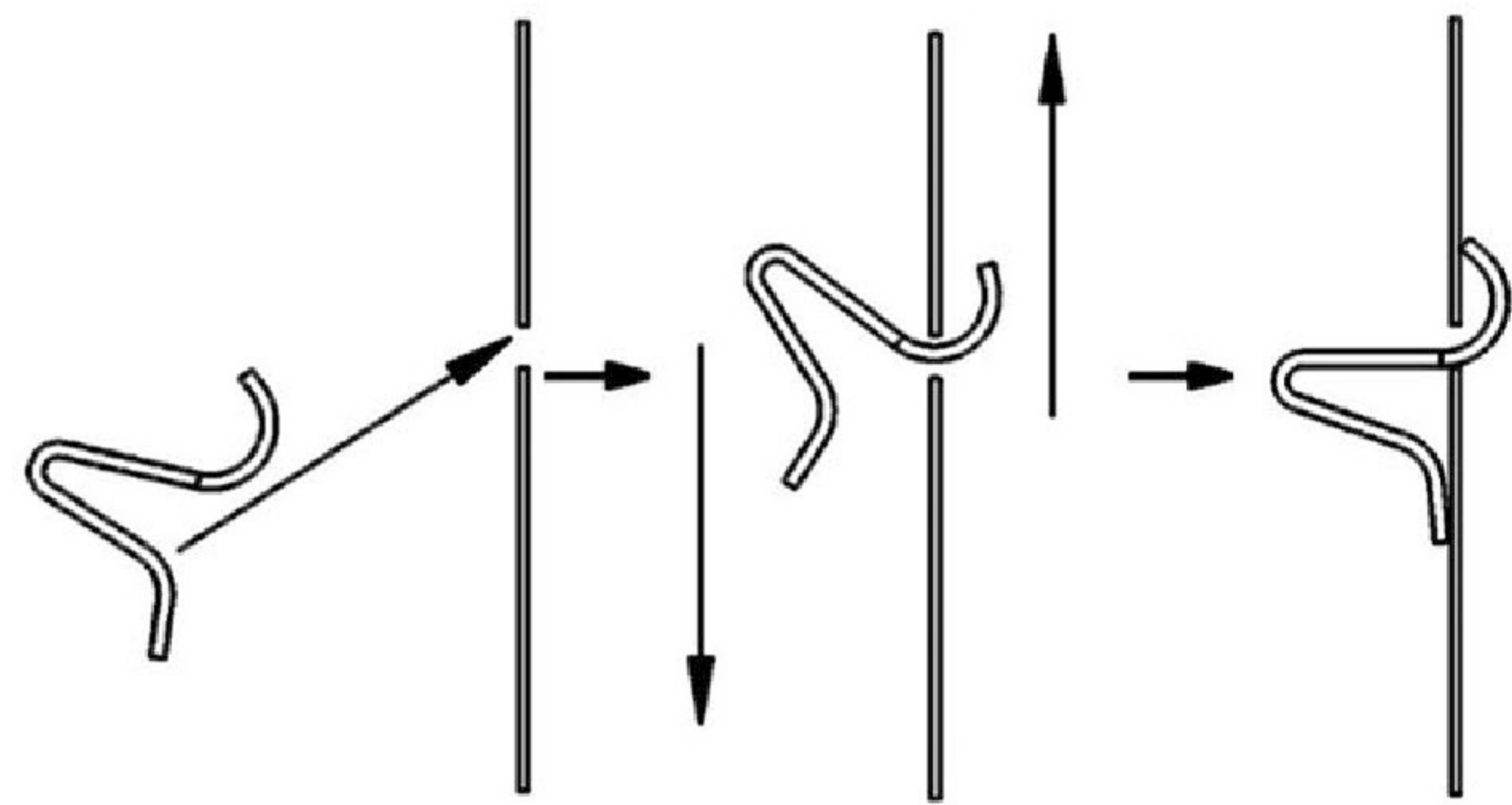
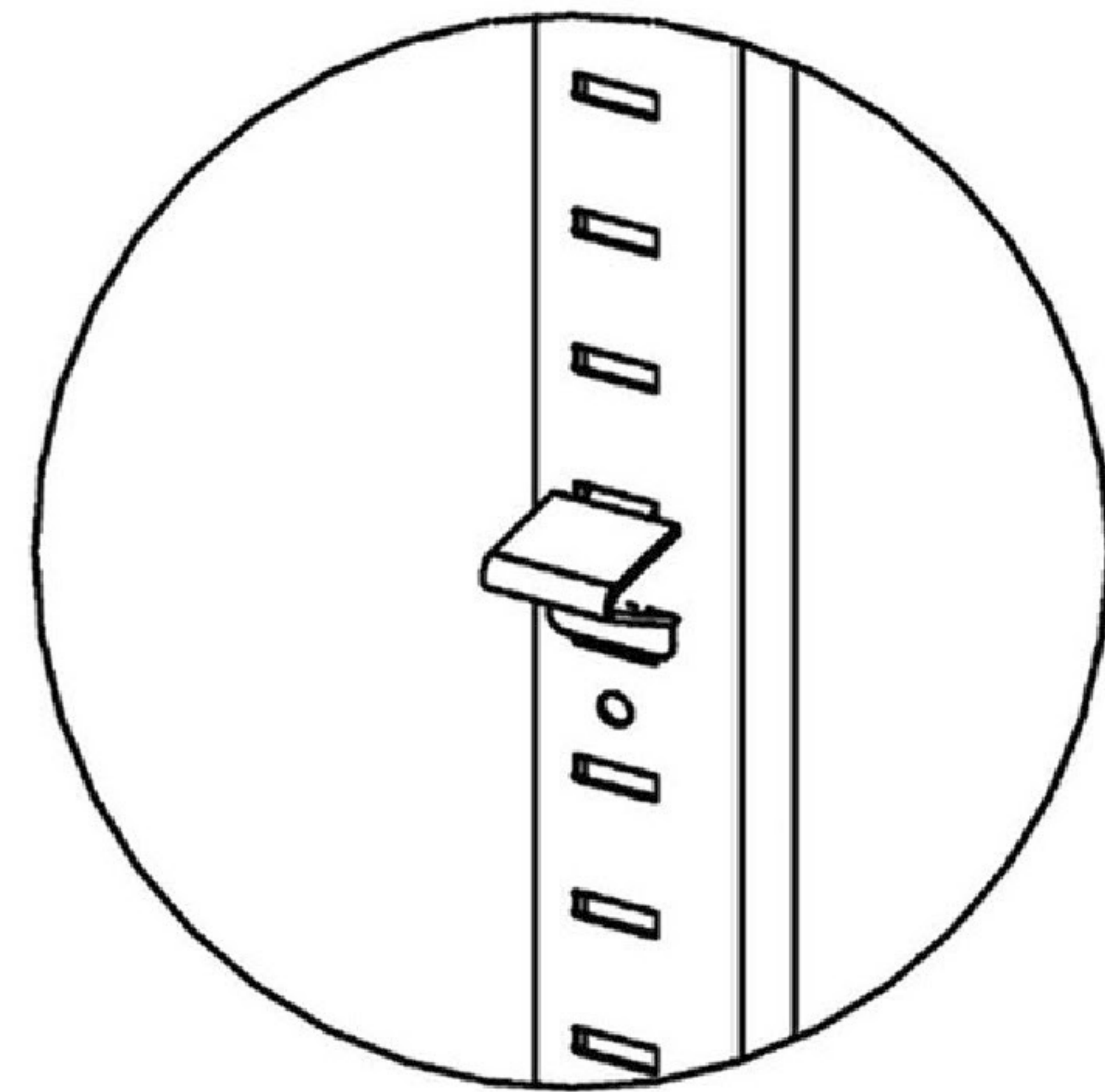
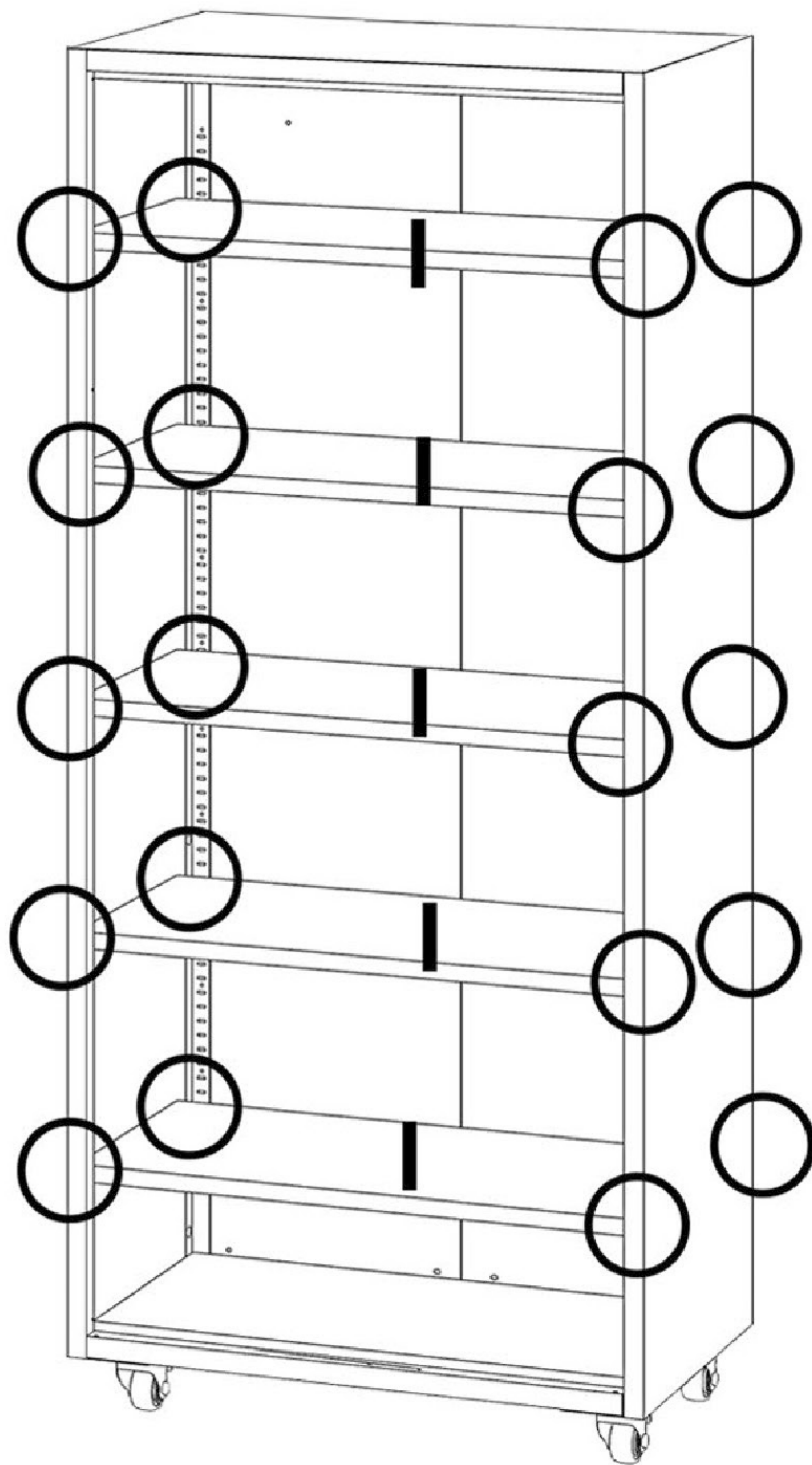
Never place a television on this furniture.

This is a permanent label. Do not remove!


Step 11

U		20
---	---	----

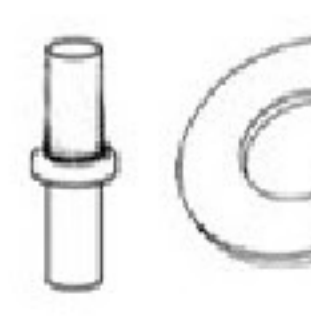
Install 20 shelf clasps U on the side panels and put 5 shelves I on them
(Ensure that 4 clasps for 1 shelf are at the same level)

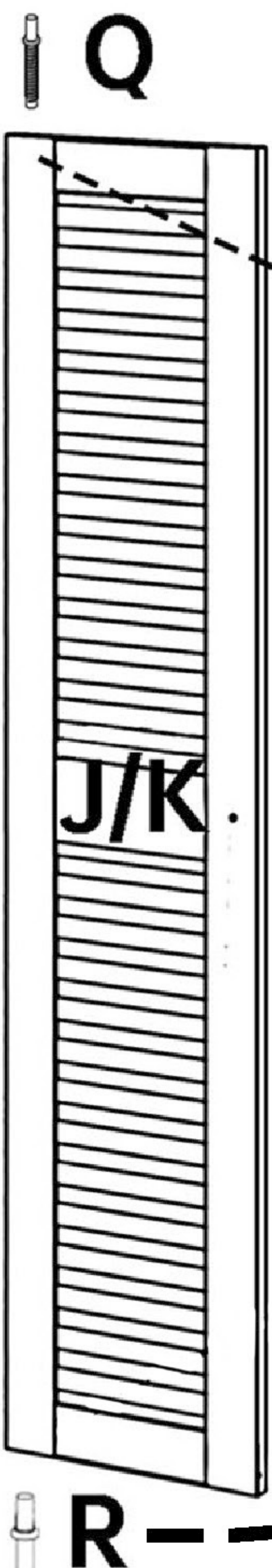


Step 12

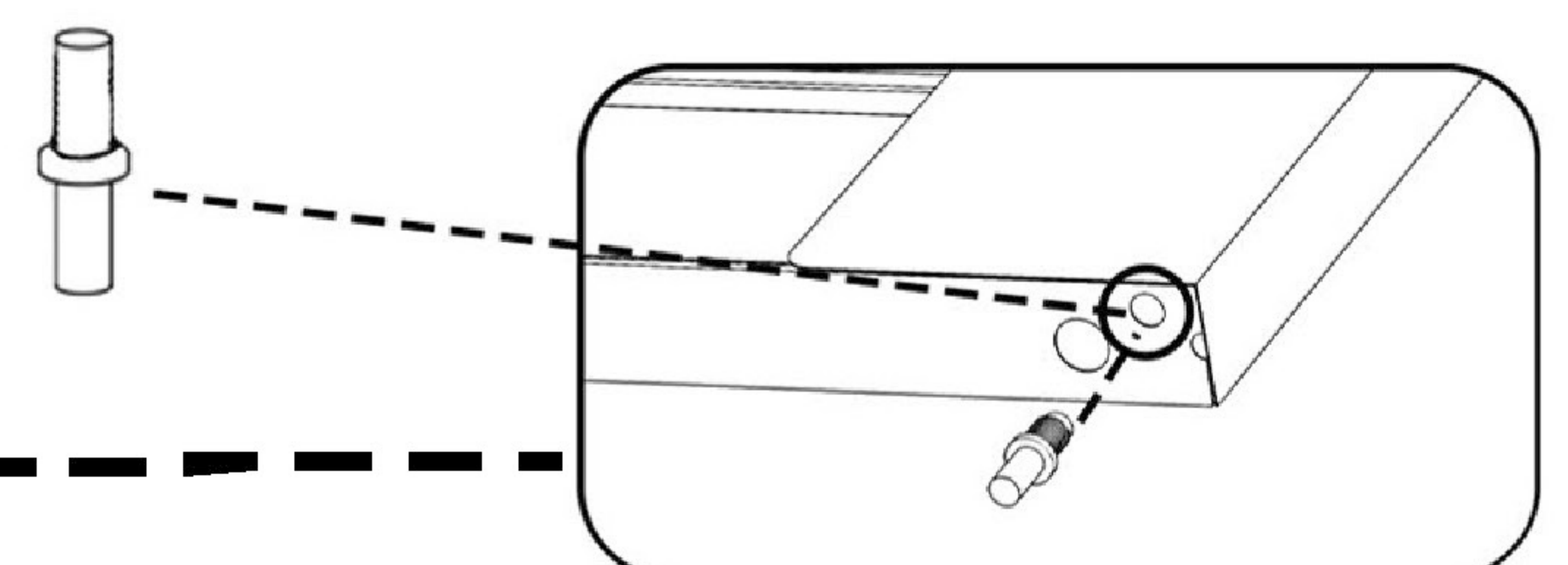
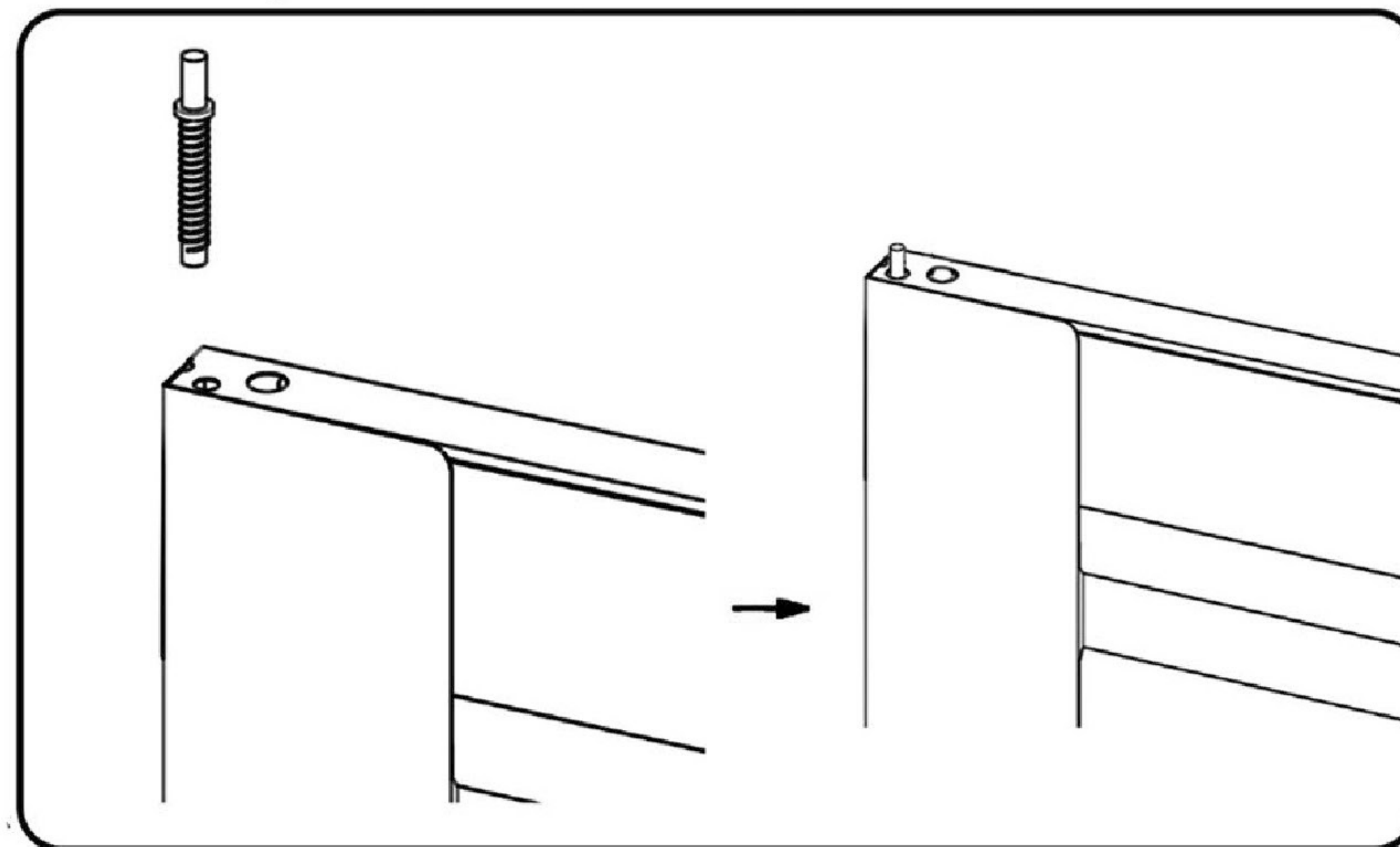
Q		2
---	---	---

Install door pivots R into the bottom holes of the doors
(0/1 shim can be used to adjust the seam), then press the spring shafts Q to pop out

R		2
---	---	---

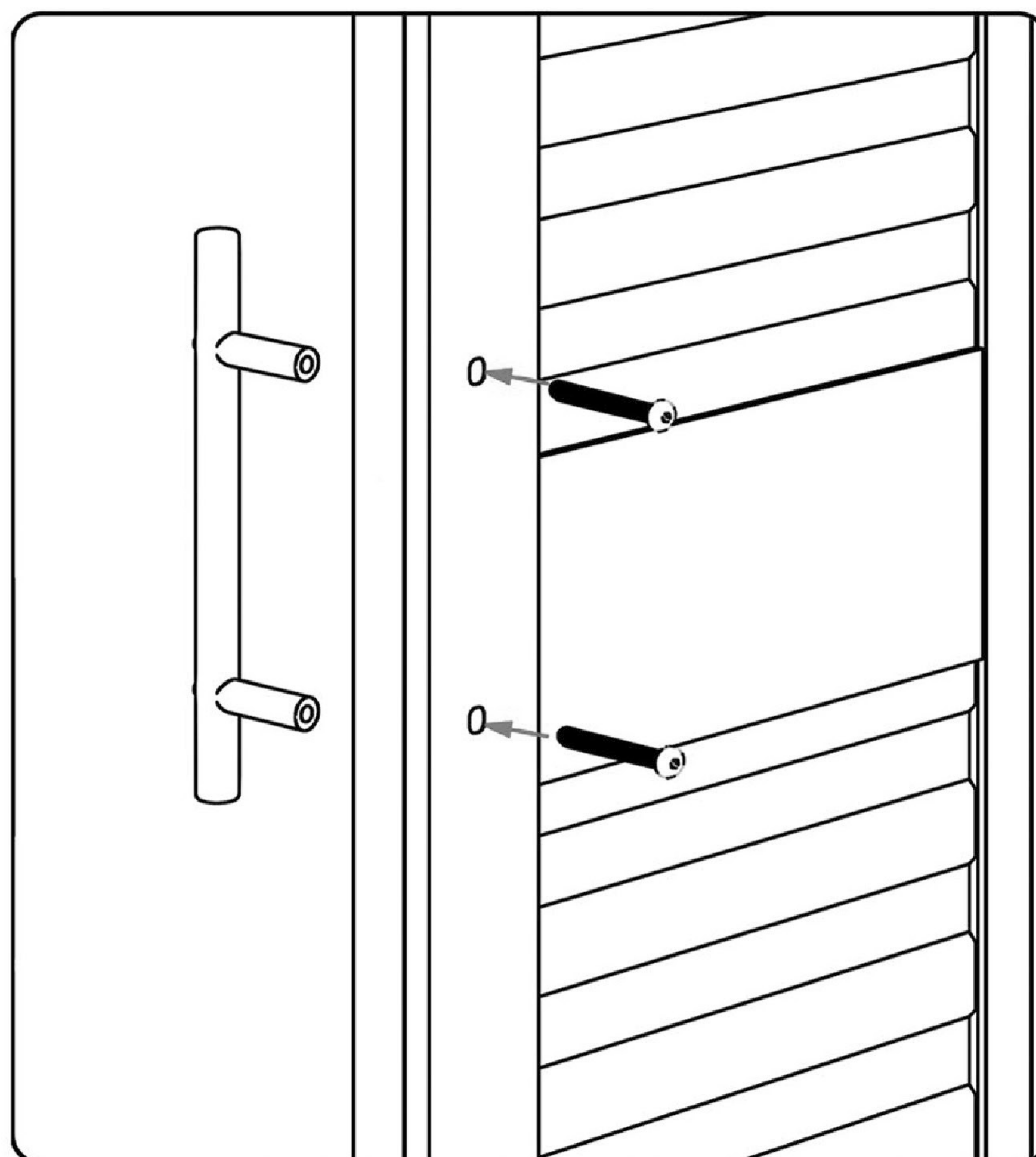
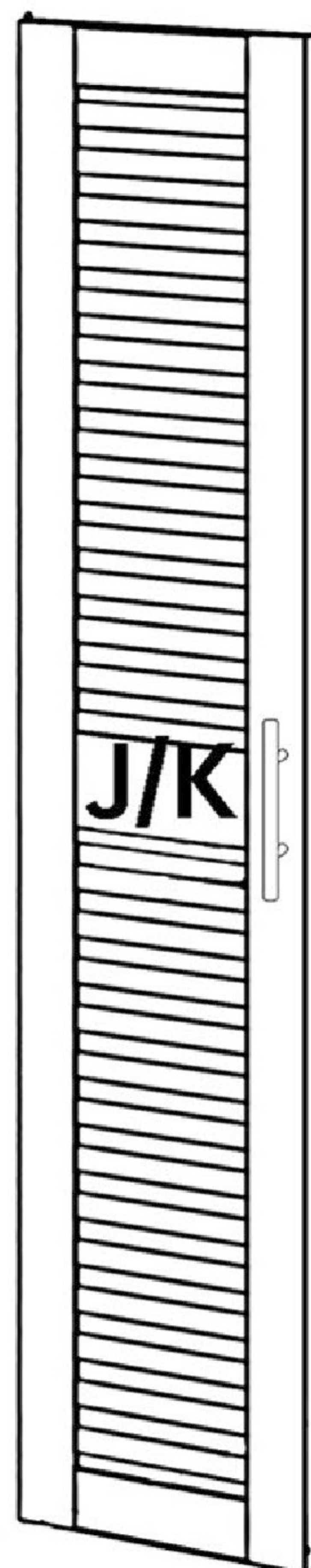


Tips: There are two holes at the top and the bottom of the doors, the spring shafts and door pivots should be inserted into the smaller one.



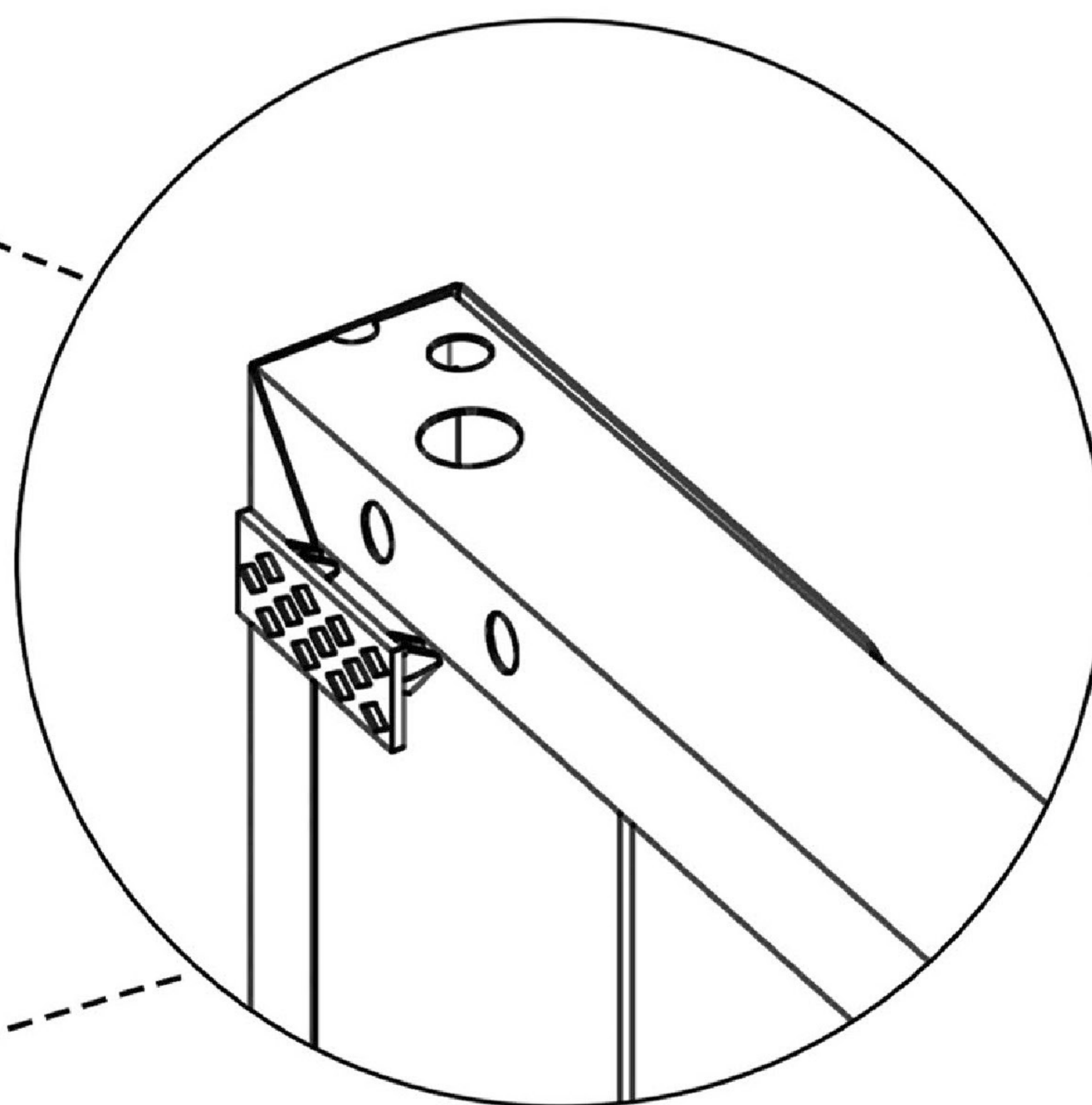
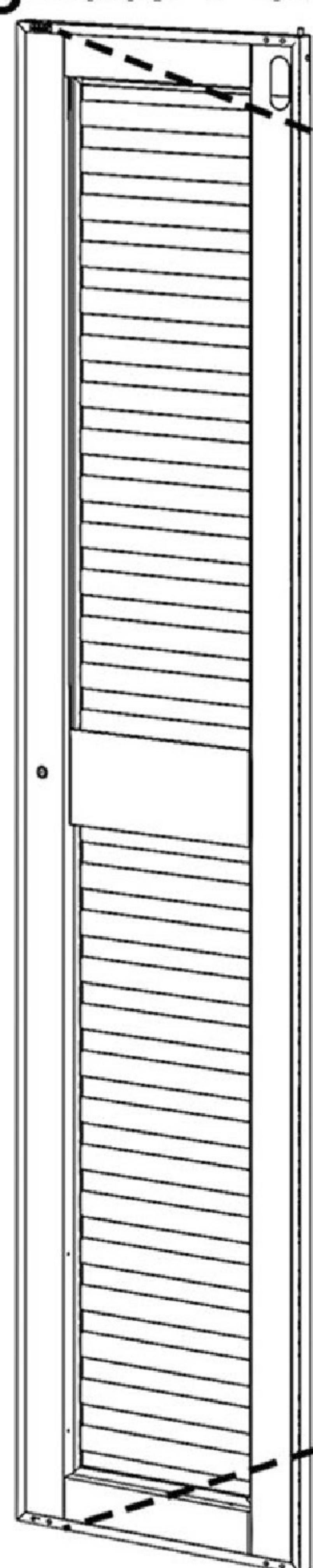
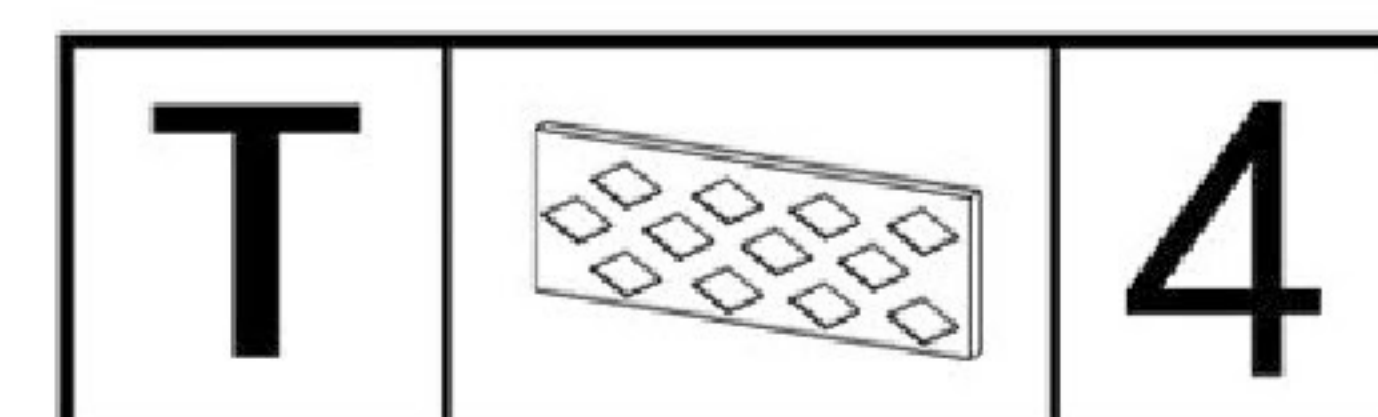
Step 13

Install 2 handles S on the doors with 4 screws N



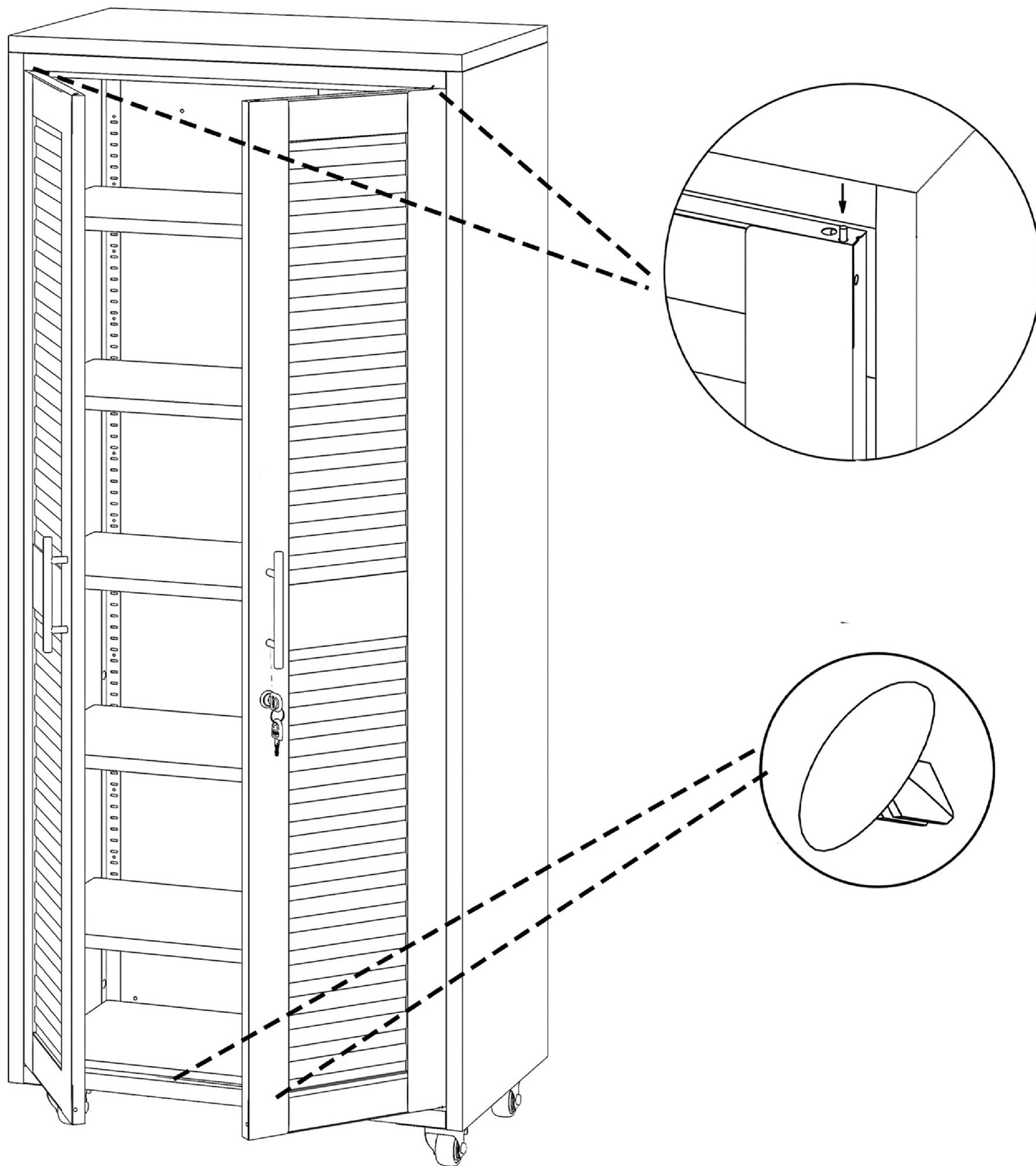
Step 14

Install 4 magnets T on the doors as shown



Step 15

Insert the door pivots R into the holes of the kick plate and adjust the spring shafts Q on the top to install the doors
Install 2 stop pads P



Please remove the keys and store them properly before installing the right door K.