

## NOTICE

- \* Please make sure that you have all parts indicated and they are in good condition before you begin assembly of this item. Refer to part list and hardware list below for guidance.
- \* This item should be assembled on a soft surface to prevent scratching the finish during assembly.
- \* This item may require periodic tightening.
- \* If you are having difficulty, our friendly Customer Care team is always here to help.



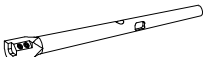
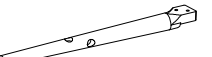
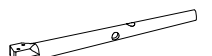



## PREPARATION

- \* Before beginning assembly of product, make sure all parts are present. Compare parts with part contents list and hardware contents list.
- \* If any part is missing or damaged, do not attempt to assemble the product.
- \* Estimated Assembly Time: 15 minutes.
- \* Tools Required for Assembly: Allen key (included) and screw driver (not included).

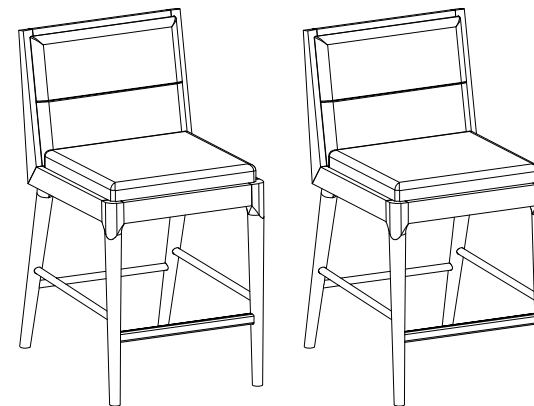
## CARE AND MAINTENANCE

- \* Please make sure that you have all parts indicated before you begin assembly of this item.
- \* This item should be assembled on a soft surface to prevent scratching the finish during assembly.
- \* This item may require periodic tightening.

### Part List and Hardware List

PIECE	DESCRIPTION	PICTURE	QUANTITY
A	Seat		2X
B	Front Legs-1		2X
C	Front Legs-2		2X
D	Back Legs-1		2X
E	Back Legs-2		2X
F	Front Rail		2X
G	Side Rail		4X
H	Back Rail		2X

Product Dimensions: 19" W x 23.6" D x 36" H








**! WARNING !**

Weight capacity: 275 LBS

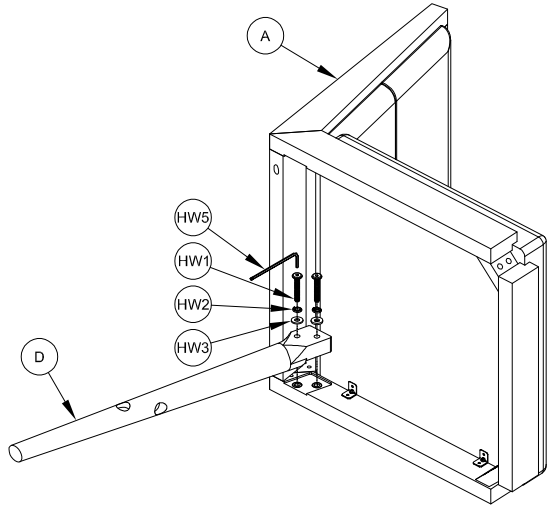
Warning: Do not stand on Chair

Warning: Do not over torque Bolts

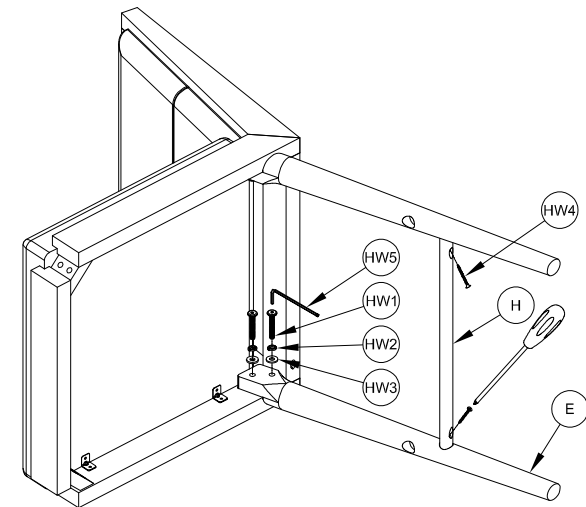
HW1	Socket Bolts M8x1.25x45mm		16X
HW2	Split Lock Washer 8mm		16X
HW3	Flat Washer 8mm		16X
HW4	Phillips Screws 4x40mm		16X
HW5	Allen Key		1X

# PREPARATION

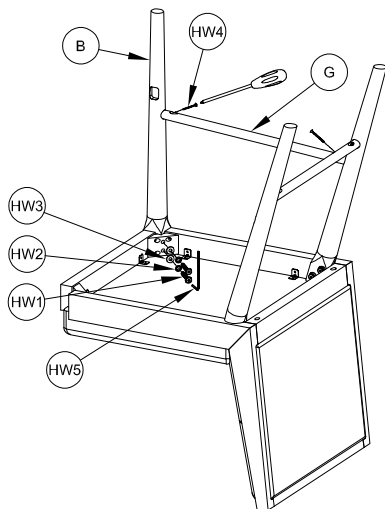
- \* Before beginning assembly of product, make sure all parts are present. Compare parts with part contents list and hardware contents list.
- \* If any part is missing or damaged, do not attempt to assemble the product.
- \* Estimated Assembly Time: 15 minutes.
- \* Tools Required for Assembly: Allen key (included) and screw driver (not included).
- \* If you are having difficulty, our friendly Customer Care team is always here to help.



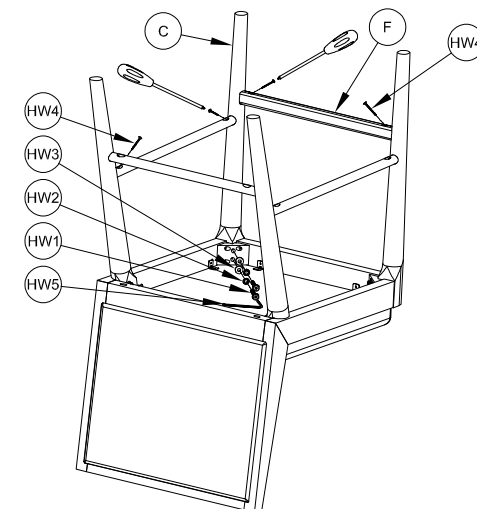
STEP 1: Attach the back leg to the seat as illustrated in picture.



STEP 2: Assemble the back leg and the back rail as illustrated in picture.



STEP 3: Assemble the front leg and the side rail as illustrated in picture.



STEP 4: Assemble the front leg, front rail and the side rail as illustrated in picture.