

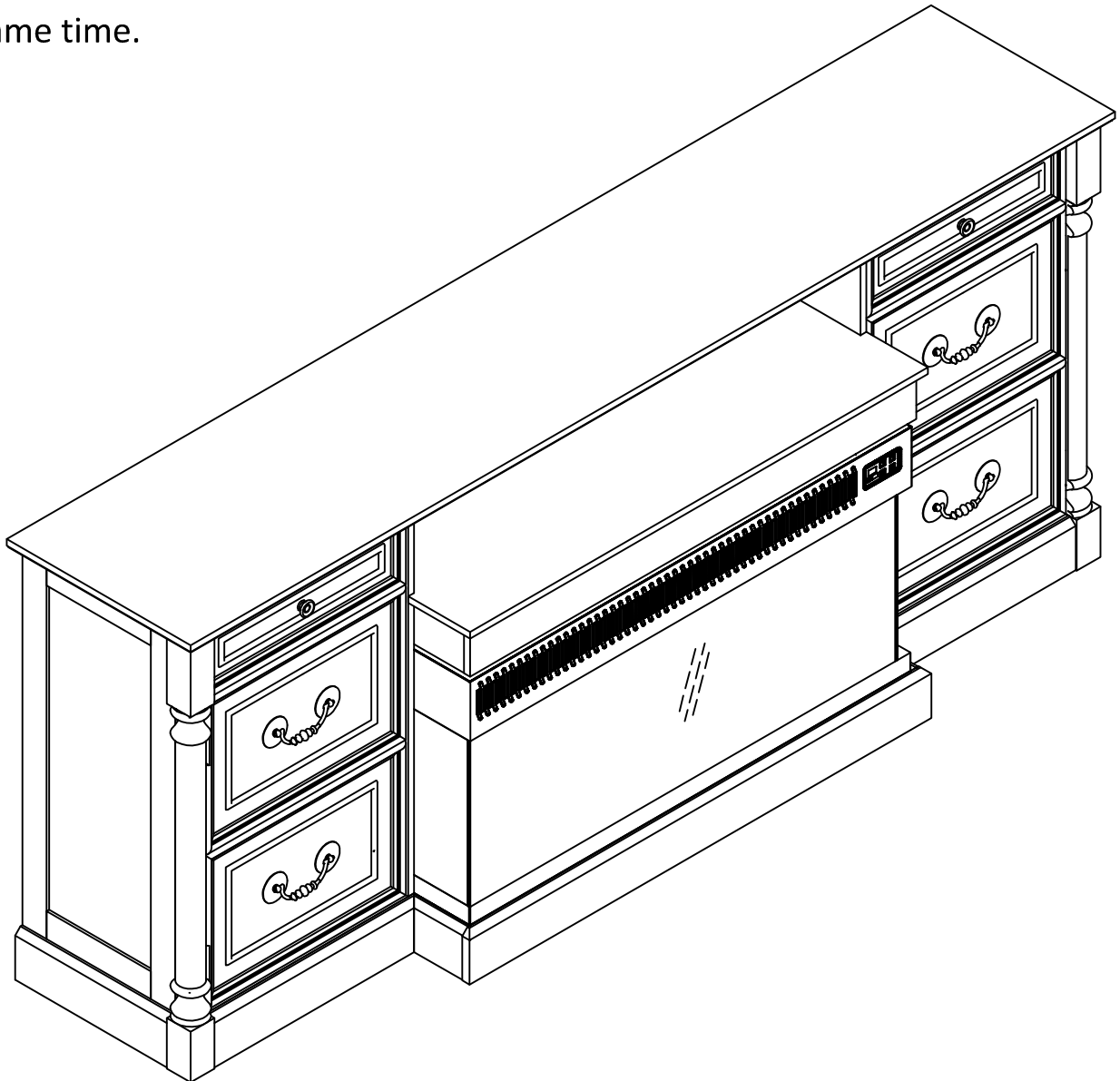
TV Stand

Assembly Instructions-Please keep for future reference



NOTE:

Comes with TWO PACKAGES with TWO TRACKINGS, may NOT be delivered at the same time.



Dimensions

width-75 inch
Depth-19inch
Heigh-31.3 inch

Important-Please read these instructions fully before starting assembly

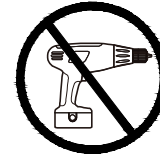


Safety and Care Advice

Important-Please read these instructions fully before starting assembly

- Check you have all the components and tools listed on the following pages.
- Remove all fittings from the plastic bags and separate them into their groups.
- Keep children and animals away from the work area, small parts could choke if swallowed.
- Make sure you have enough space to layout the parts before starting.

- During assembly do not stand or put weight on the product, this could cause damage/
- Assemble the item as close to its final position (in the same room) as possible.
- Assemble on a soft level surface to avoid damaging the unit or your floor.
- Parts of the assembly will be easier with 2 people.



power drill is set on a low torque setting .

- To reduce the likelihood of damaging your product please ensure that your

Care and maintenance

- Only clean using a damp cloth and mild detergent, do not use bleach or abrasive cleaners.

- From time to time check that there are no loose screws on this unit.

- This product should not be discarded with household waste. Take to your local authority waste disposal centre.

Handy Hints

- Assemble all parts and bolts loosely during assembly, only once the product is complete should you fully tighten the bolts.

- Regularly check and ensure that all bolts and fittings are tightened properly.

WARNING

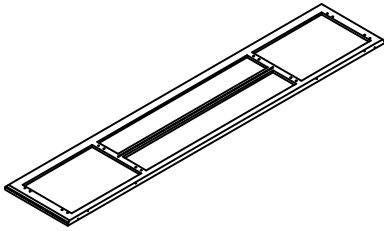
In order to help prevent overturning- please follow these instructions

To help prevent product toppling over please follow the steps below:

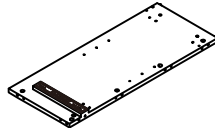
- Must use the anti tip strap or wall fixing method provided (whichever applies).
- Do not allow children to climb or hang on the furniture.
- Do not place heavy items on top of the furniture, unless the furniture has been designed for this purpose
- Installation shall be carried out exactly according to the instructions- otherwise a safety risk can occur
- In order to prevent falling down this product must be used with the wall attachment device provided

please note that only the wall attachment device is provided. You will need to supply wall plugs and screws applicable for your wall type.

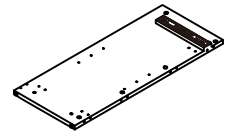
Please check you have all the panels listed below



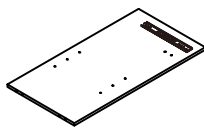
1 (190.5 x 37.9 x 2.4cm) x1



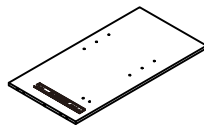
2 (77.1 x 31.5 x 3.2cm) x1



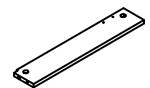
3 (77.1 x 31.5 x 3.2cm) x1



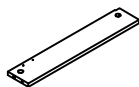
4 (68.1 x 34.7 x 1.2cm) x1



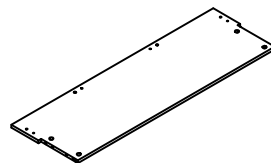
5 (68.1 x 34.7 x 1.2cm) x1



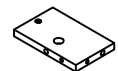
6 (43.1 x 8 x 1.2cm) x1



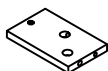
7 (43.1 x 8 x 1.2cm) x1



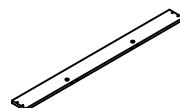
8 (94.4 x 30 x 1.2cm) x1



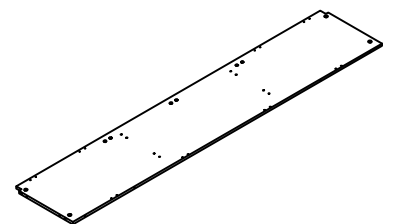
9 (12.8 x 8 x 1.2cm) x1



10 (12.8 x 8 x 1.2cm) x1



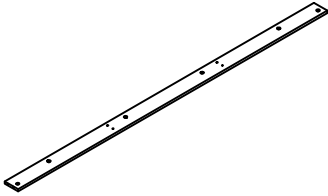
11 (92 x 8 x 1.2cm) x2



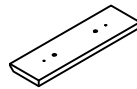
12 (180.7 x 34.7 x 1.2cm) x1

Components-Panels

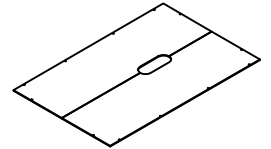
Please check you have all the panels listed below



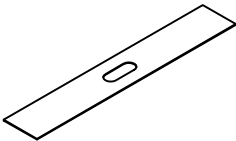
13 (180.7 x 7.8 x 1.2cm) x1



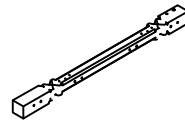
14 (31.5 x 9 x 1.5cm) x2



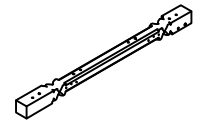
15 (70.1 x 45.2 x 0.3cm) x2



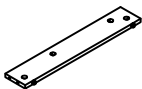
16 (93 x 15.5 x 0.3cm) x1



17 (77.1 x 4.9 x 4.9cm) x1



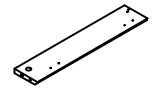
18 (77.1 x 4.9 x 4.9cm) x1



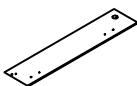
19 (45 x 7.8 x 1.2cm) x2



20 (12 x 6 x 1.2cm) x3



21 (42.8 x 9 x 1.5cm) x1



22 (42.8 x 9 x 1.5cm) x1



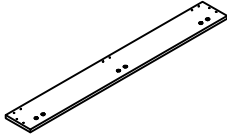
23 (11.5 x 9 x 1.5cm) x1



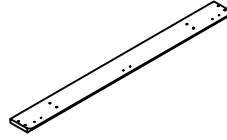
24 (11.5 x 9 x 1.5cm) x1

Components-Panels

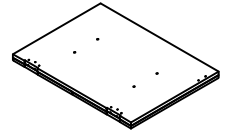
Please check you have all the panels listed below



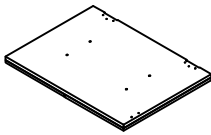
25 (92 x 11.5x1.2cm) x1



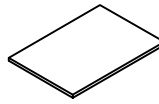
26 (95.2 x 9x 1.5cm) x1



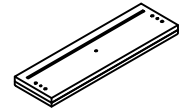
27 (41 x 55.2x 2.8cm) x1



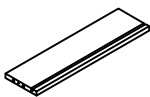
28 (41 x 55.2x 2.8cm) x1



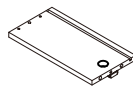
29 (42.7 x 30x 1.2cm) x2



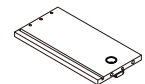
30 (41 x 12 x 2.8cm) x2



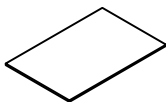
31 (36.6 x 10 x 1.2cm) x2



32 (25 x 10 x 1.2cm) x2



33 (25 x 10 x 1.2cm) x2



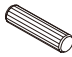
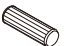



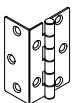

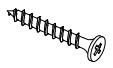
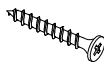
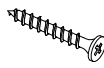



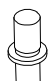
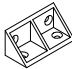
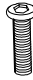


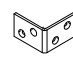



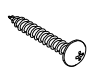




34 (37.6 x 24.6 x 0.5cm) x2

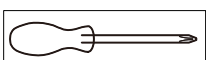
Components-Fittings

Please check you have all the fittings listed below

NOTE: The quantities below are the correct amount to complete assembly. In some cases more fittings may be supplied than are required.

A  7*34mm Cam Bolt x 60	B  15*9Cam Lock x 60	C  6*30mm Wooden Dowel x 66
D  6*20mm Wooden Dowel x 4	E  Magnet x 2	F  3*14mm Screw x 4
G  3.5*12mm Screw x 48	H  Hinge x 4	I  3.5*14mm Screw x 32
J  4*22mm Screw x 2	K  4*25mm Screw x 4	L  4*30mm Screw x 4
M  Handle x 4	N  5/32*23mm Handle bolt x 2	O  5/32*15mm Handle bolt x 8
P  Shelf support x 8	Q  Plastic connector x 9	R  1/4*20mm Bolt x 12
S  Hex key x 1	T  3.5*16 Screw x 24	U  Metal plate x 2
V  Handle x 2	W  Washer x 2	
 4*12mm Screw x 2	 4*25mm Screw x 2	 Plastic strap x 2
		 Nut x 2

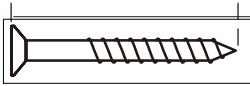
Tools required



Phillips screwdriver
(medium & large)

Ruler - Use this ruler to help correctly identify the screws

0 5 10 15 20 25 30 35 40 45 50 55 60 65 70 75 80 85 90 95 100 105 110 115 120 125 130 135 140 145 150 155 160 165 170

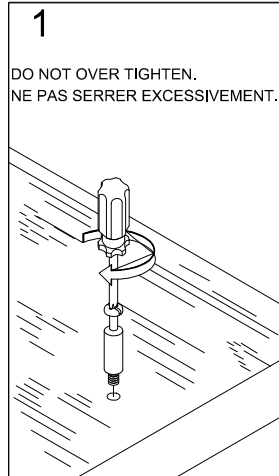


The screws length is measured from the head to the Point (30mm screw shown).

Using Camlocks

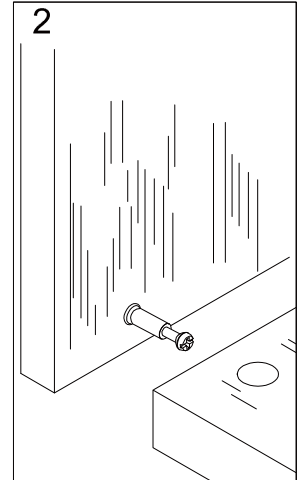
Step 1

Connect the male camlock as directed in the assembly instructions using a screwdriver.



Step 2

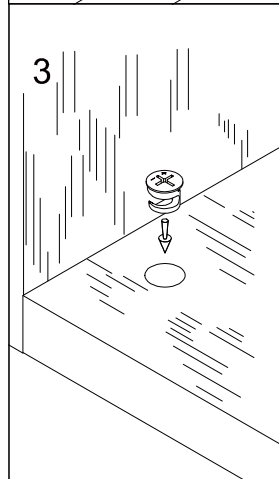
Push the male camlock into the entry hole.



Step 3

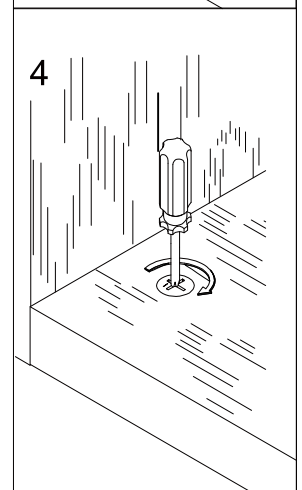
Insert the female camlock as shown in the instructions.

Note: ensure that the arrow on the top of the camlock points towards the entry hole for the male camlock.

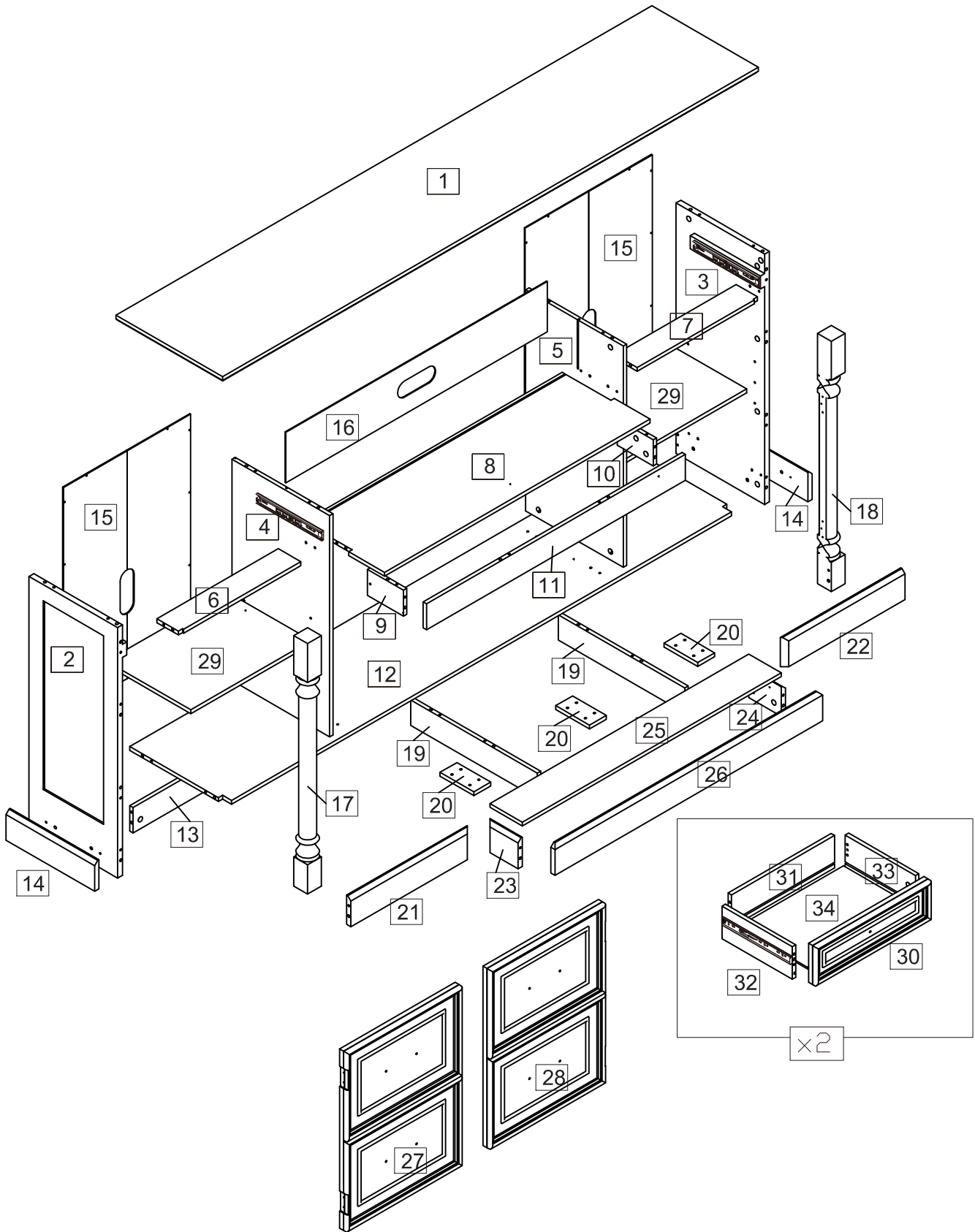


Step 4

Turn the female camlock clockwise with a screwdriver. You should feel a click when the camlock is locked in place. The joint is now secure.

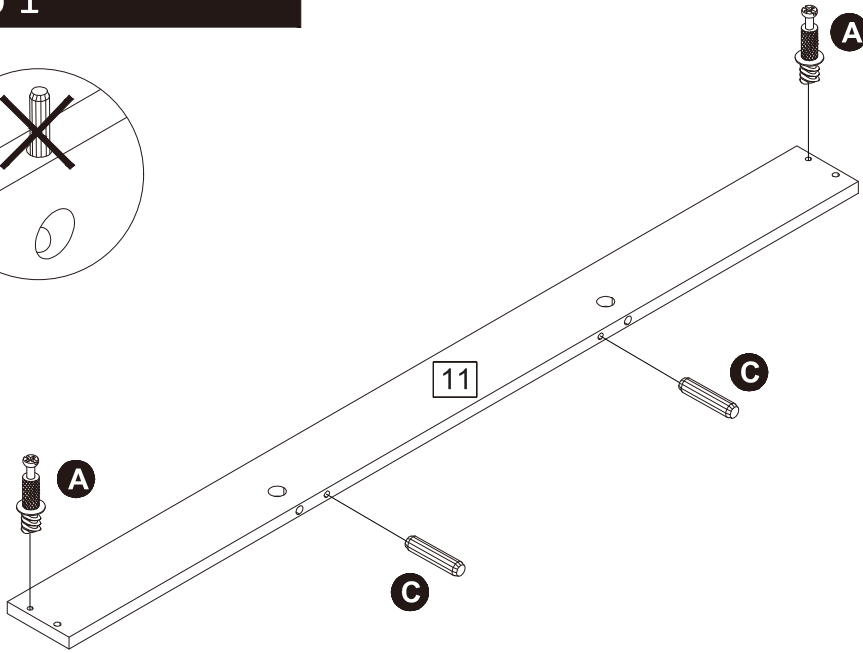
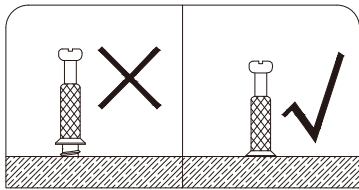
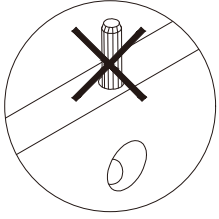


Assembly Instructions



Assembly Instructions

Step 1



A

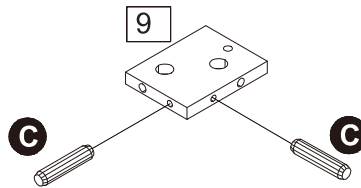


A x 2

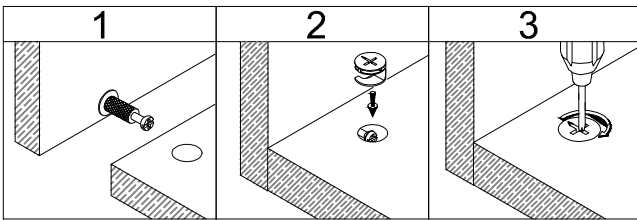
C



C x 6



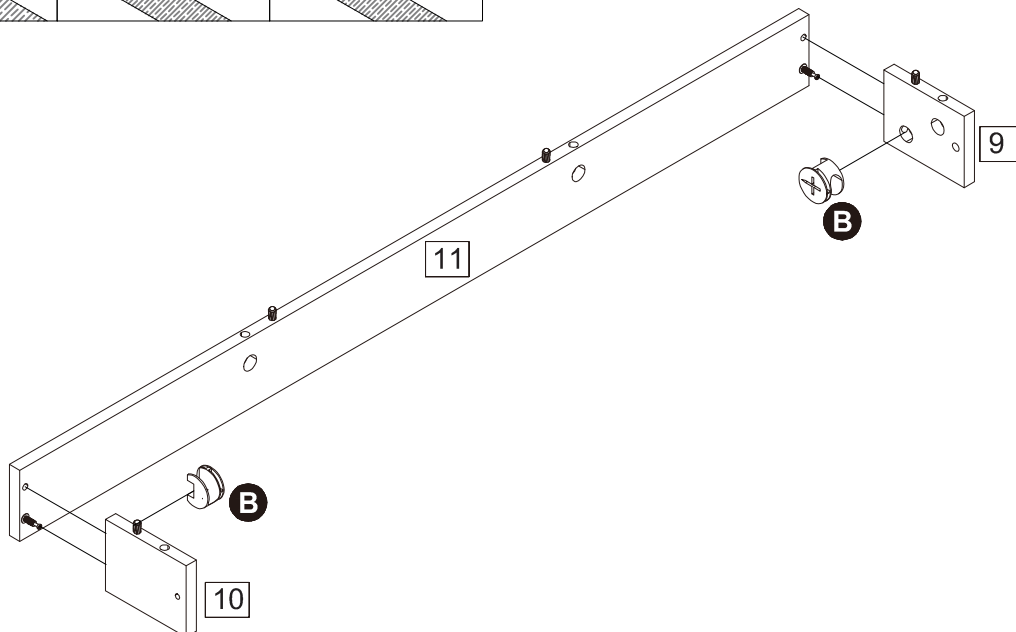
Step 2



B

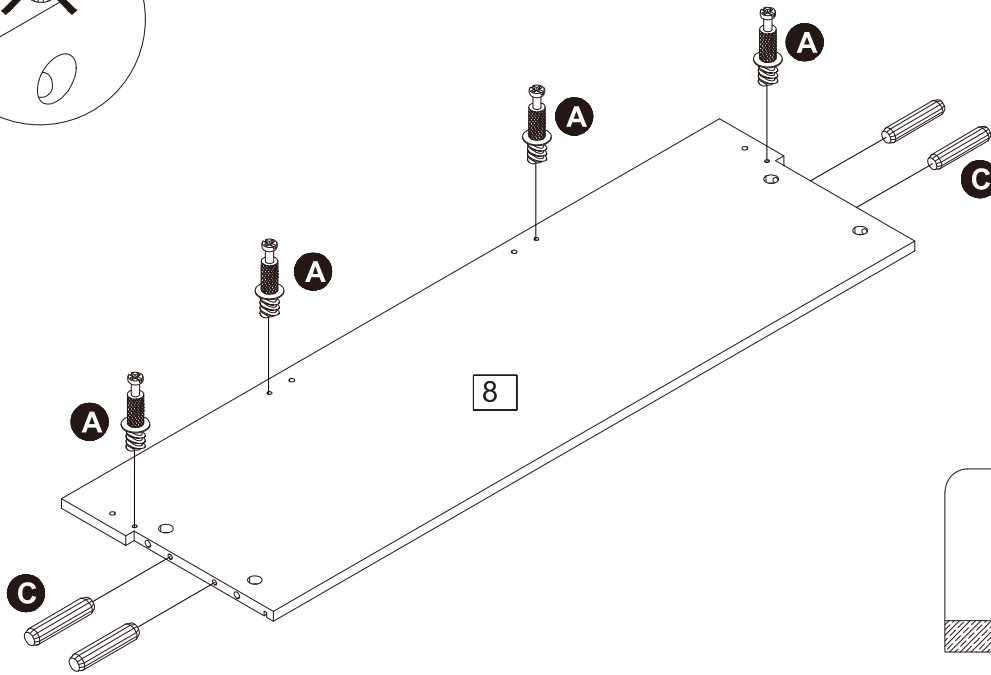
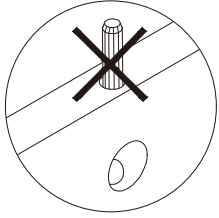


B x 2



Assembly Instructions

Step 3



A



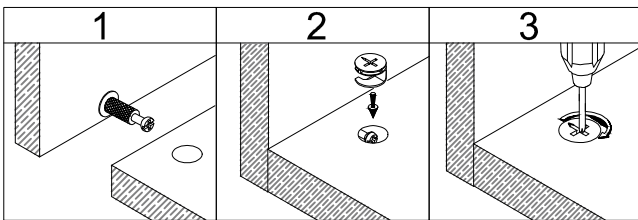
A x 4

C



C x 4

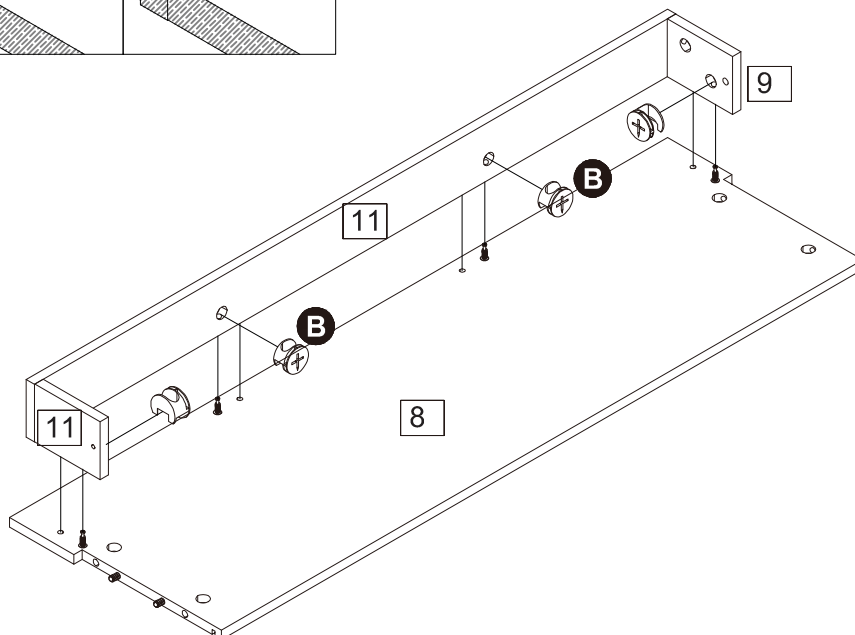
Step 4



B

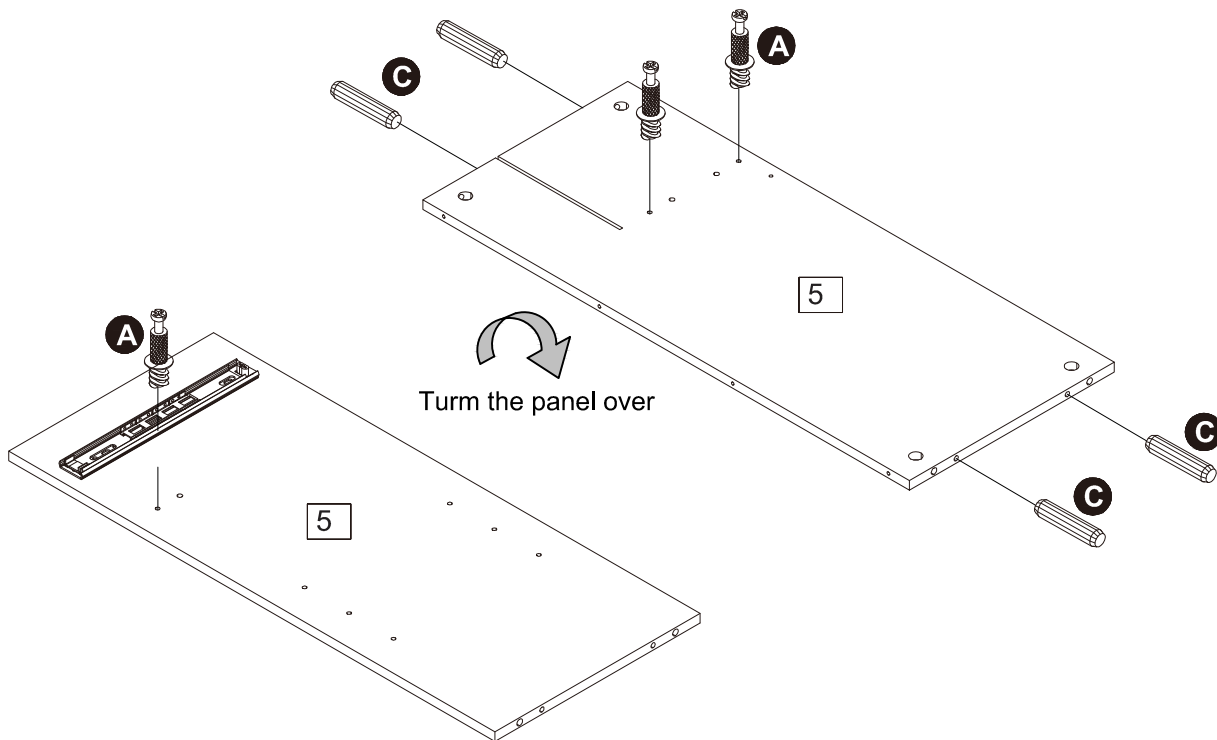


B x 4



Assembly Instructions

Step 5



A



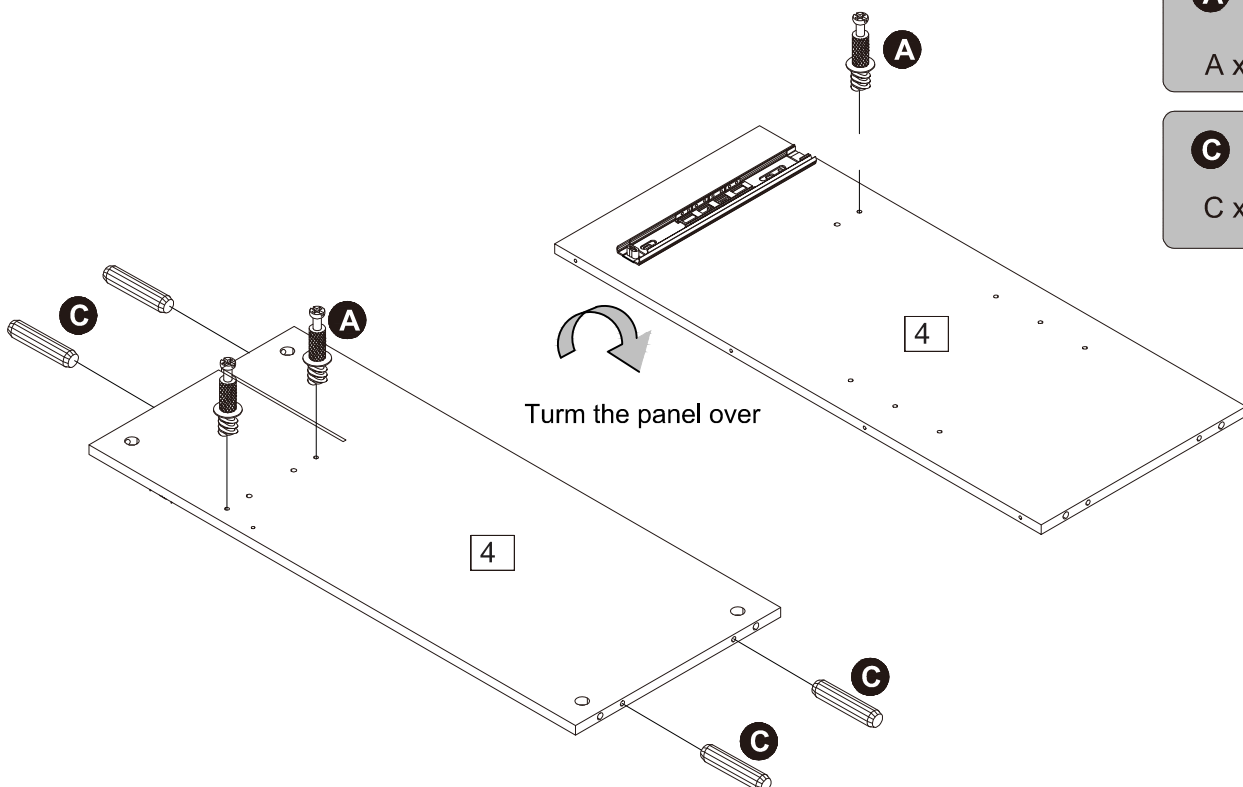
A x 3

C



C x 4

Step 6



A



A x 3

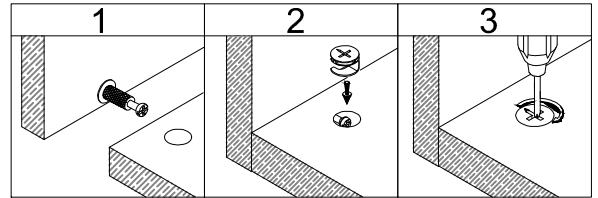
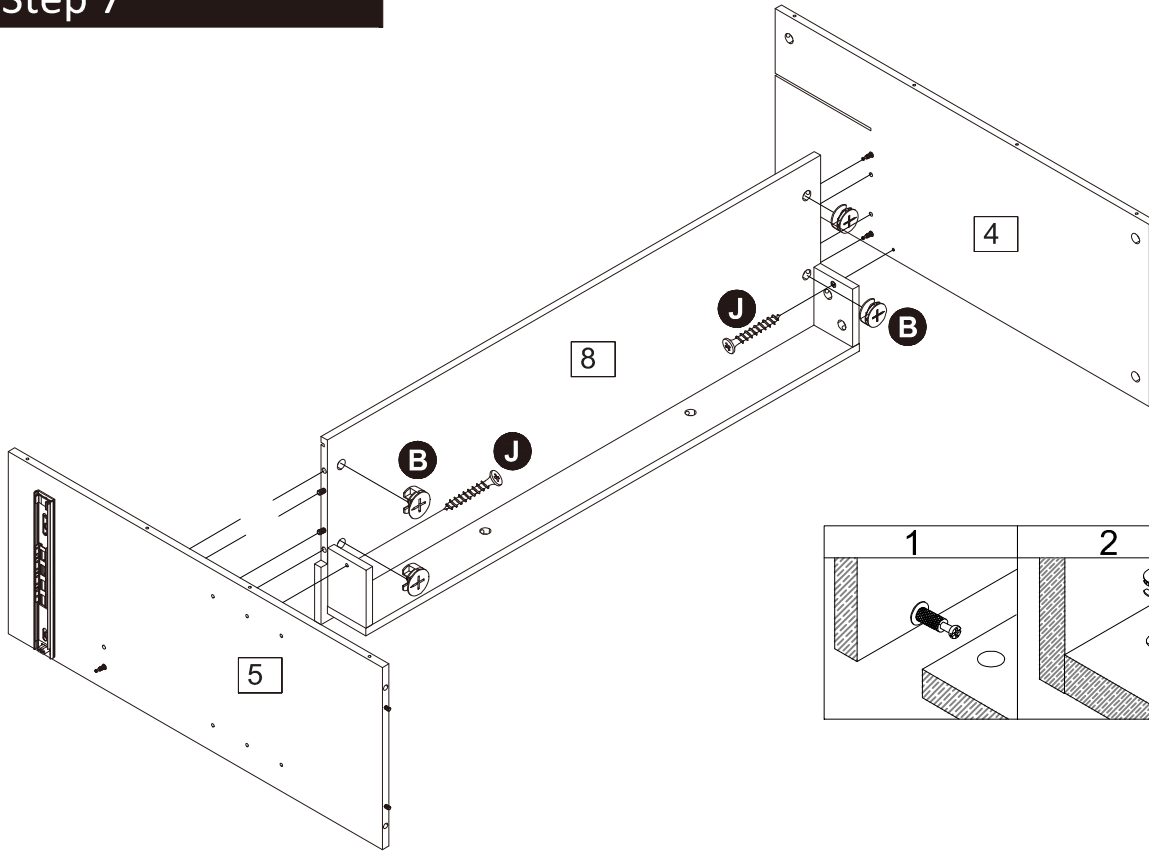
C



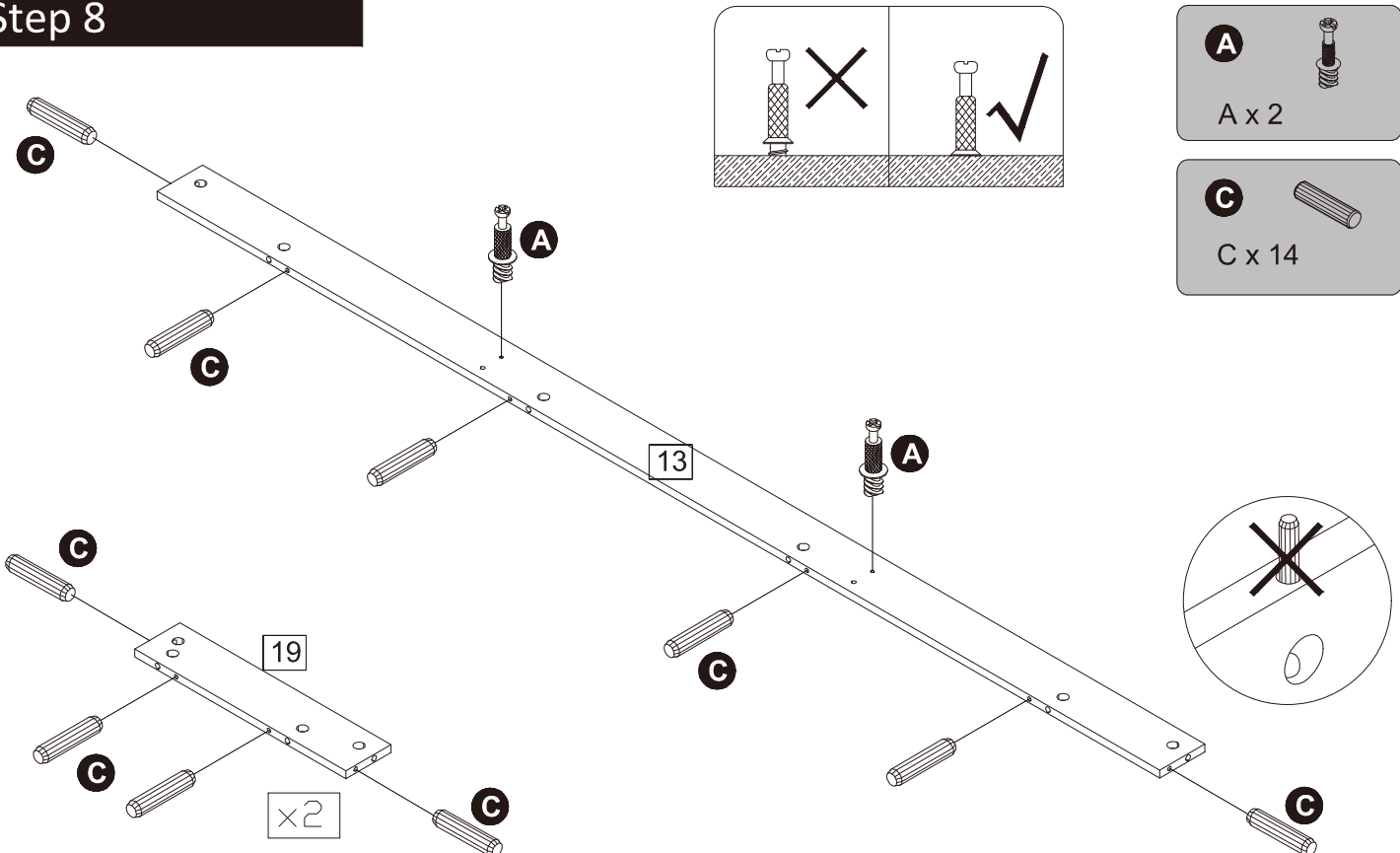
C x 4

Assembly Instructions

Step 7



Step 8



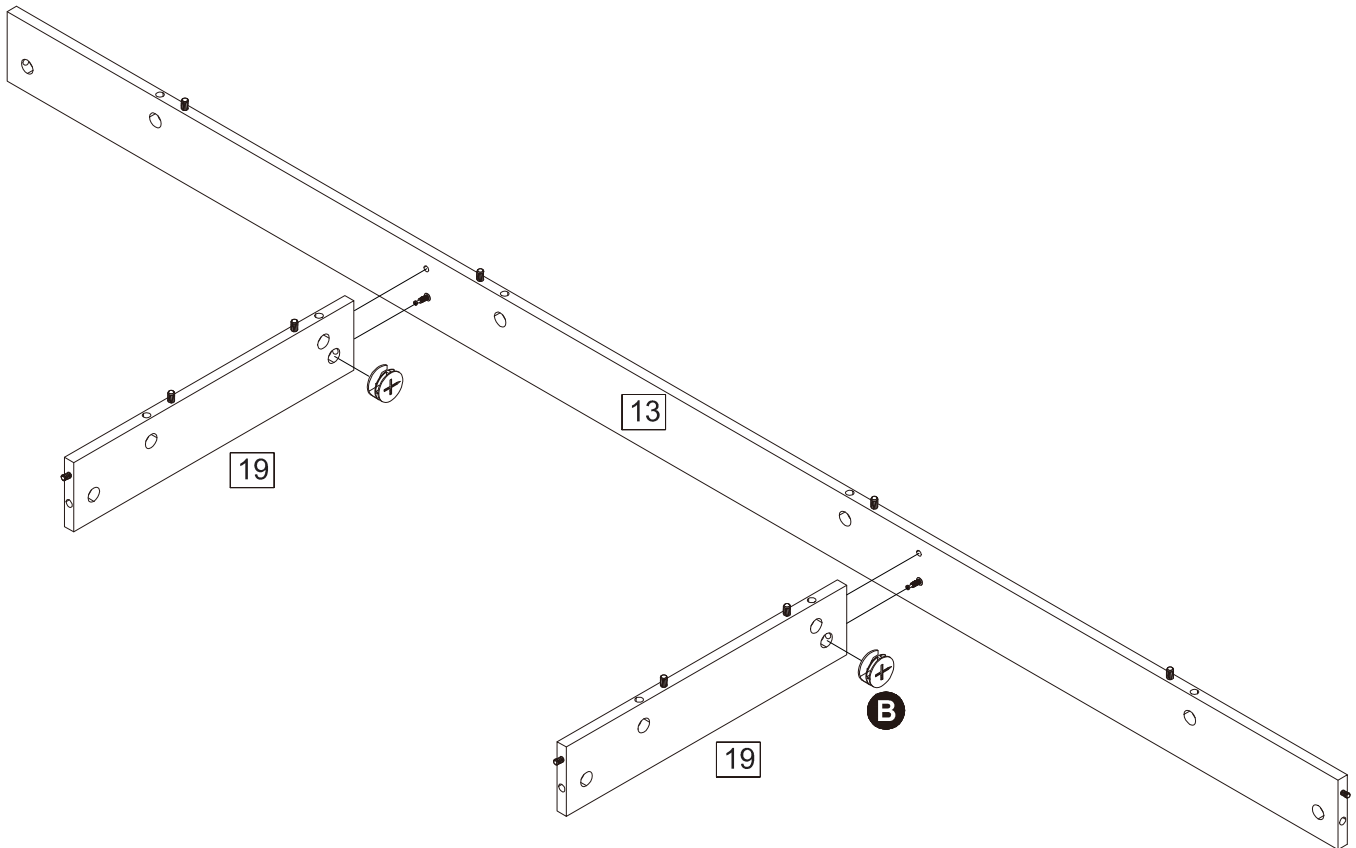
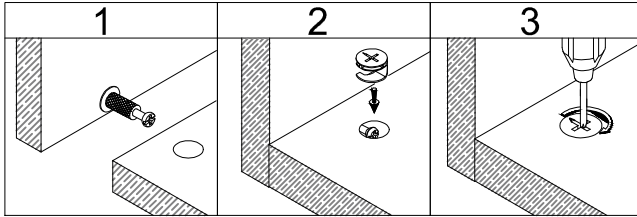
Assembly Instructions

Step 9

B

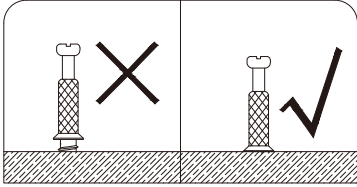


B x 2



Assembly Instructions

Step 10



A

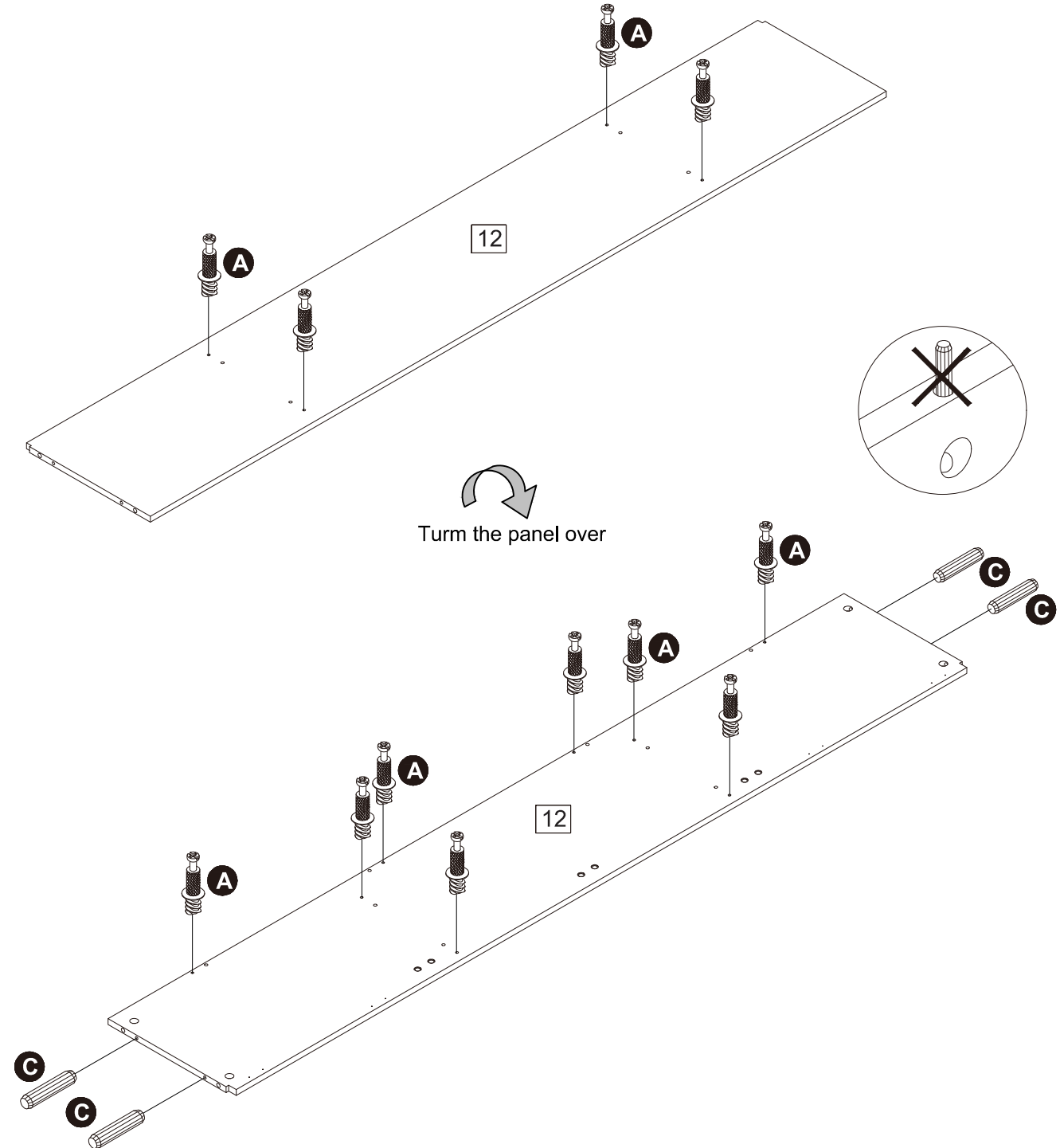


A x 12

C

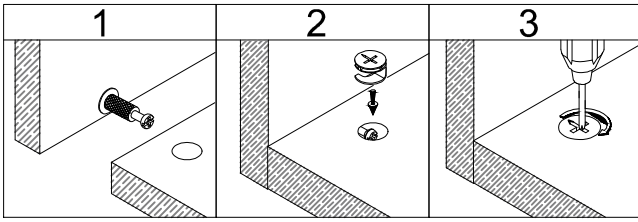


C x 4

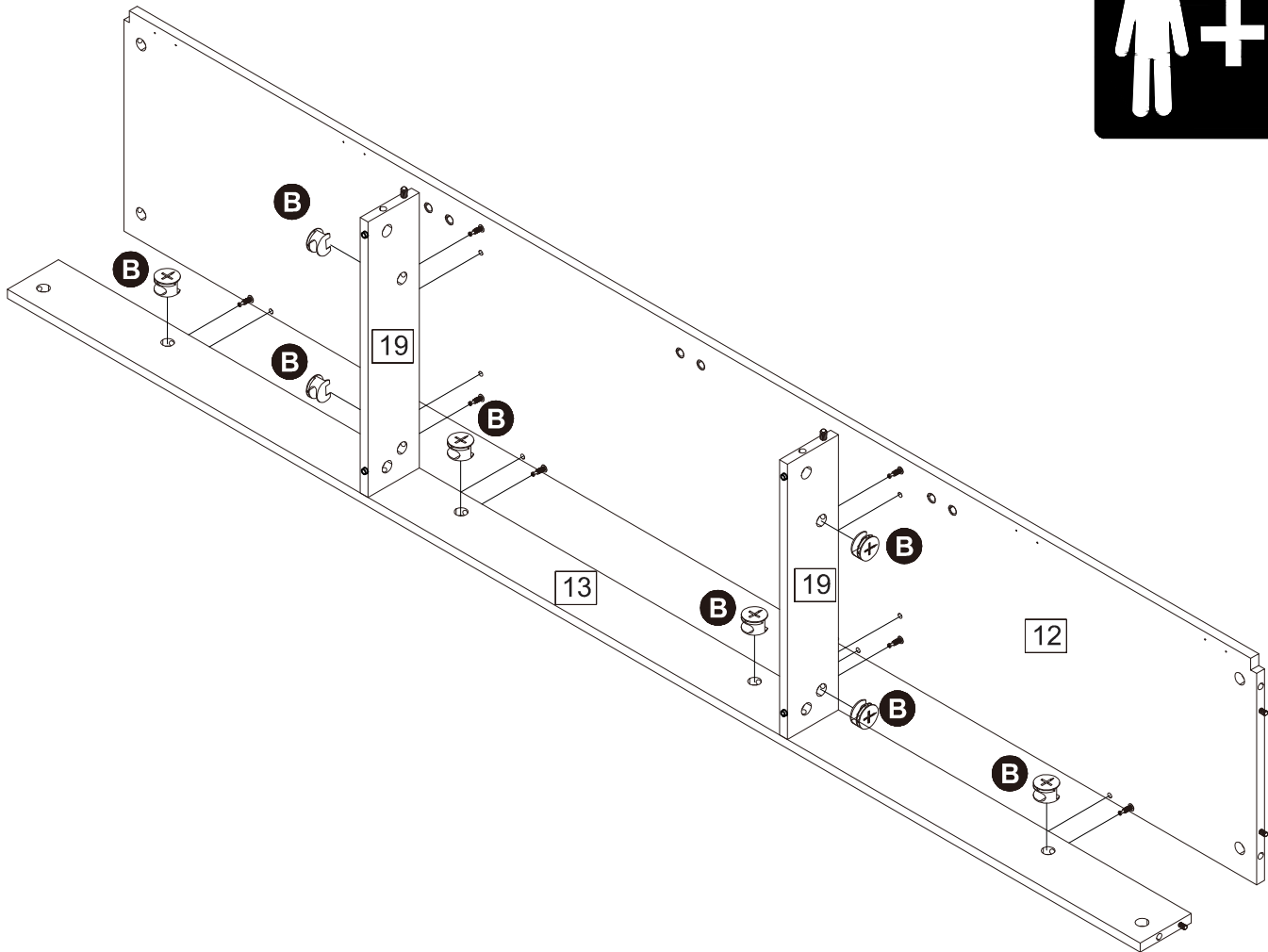
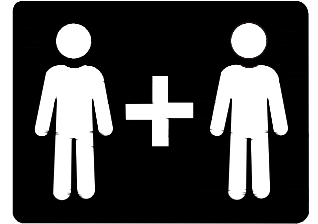
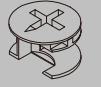


Assembly Instructions

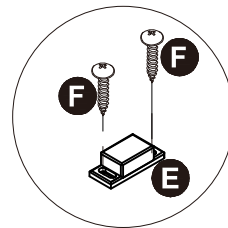
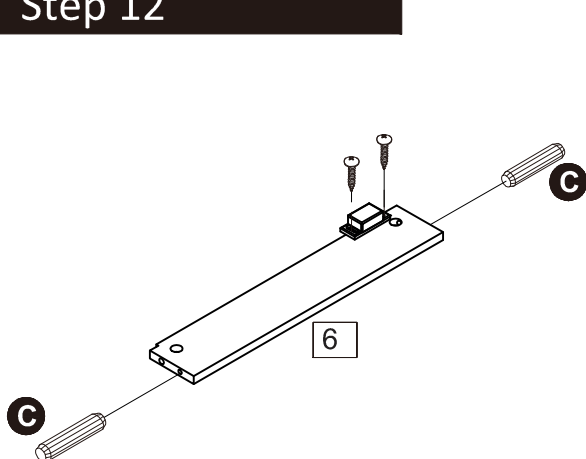
Step 11



B
B x 8



Step 12



C
C x 4



E
E x 2



F
F x 4



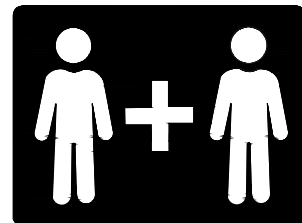
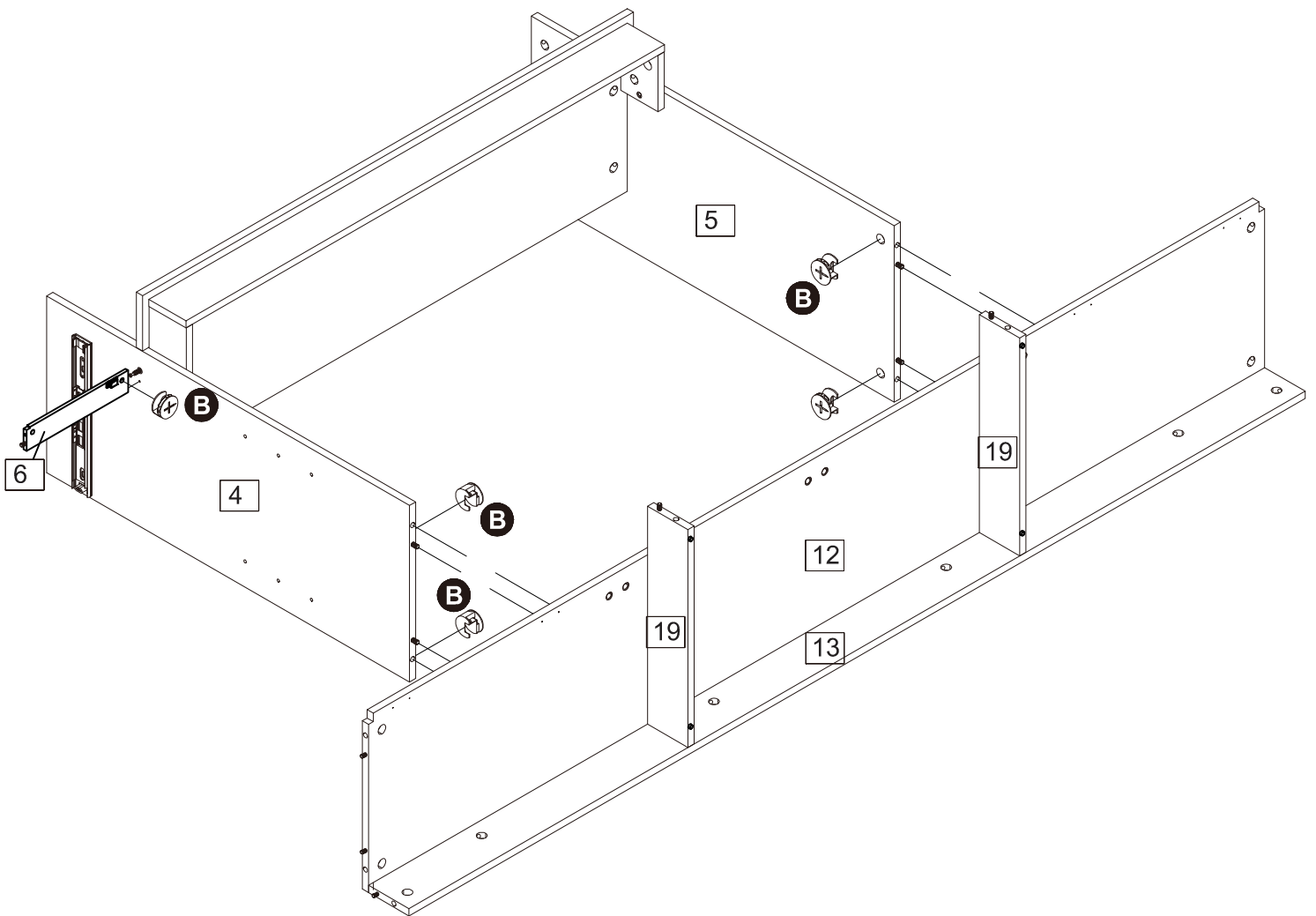
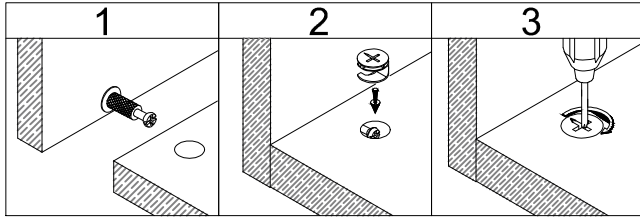
Assembly Instructions

Step 13

B

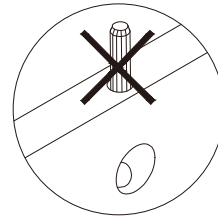
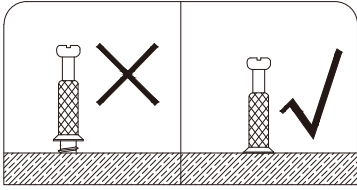


B x 5



Assembly Instructions

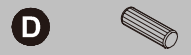
Step 14



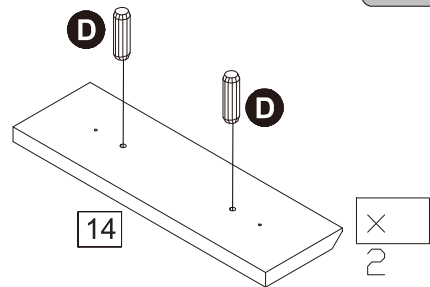
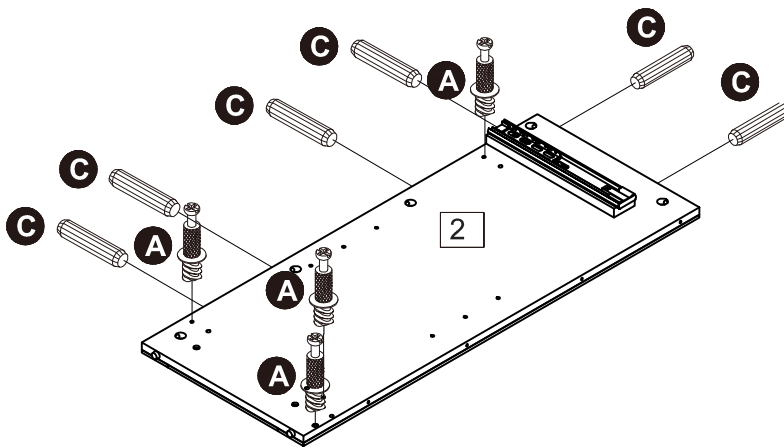
A x 4



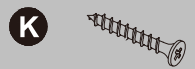
C x 6



D x 4



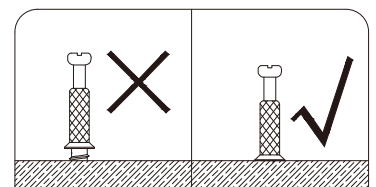
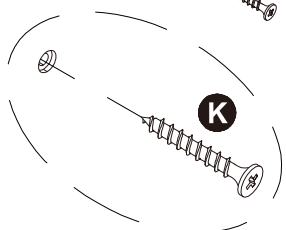
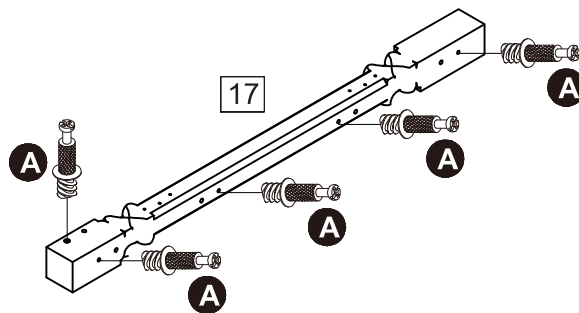
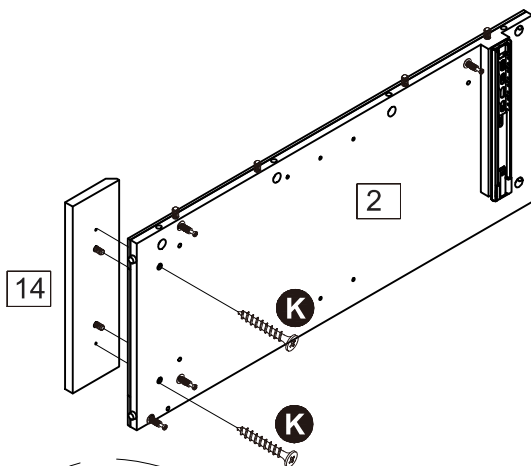
Step 15



K x 2



A x 5

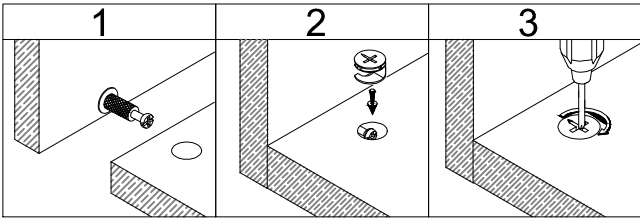
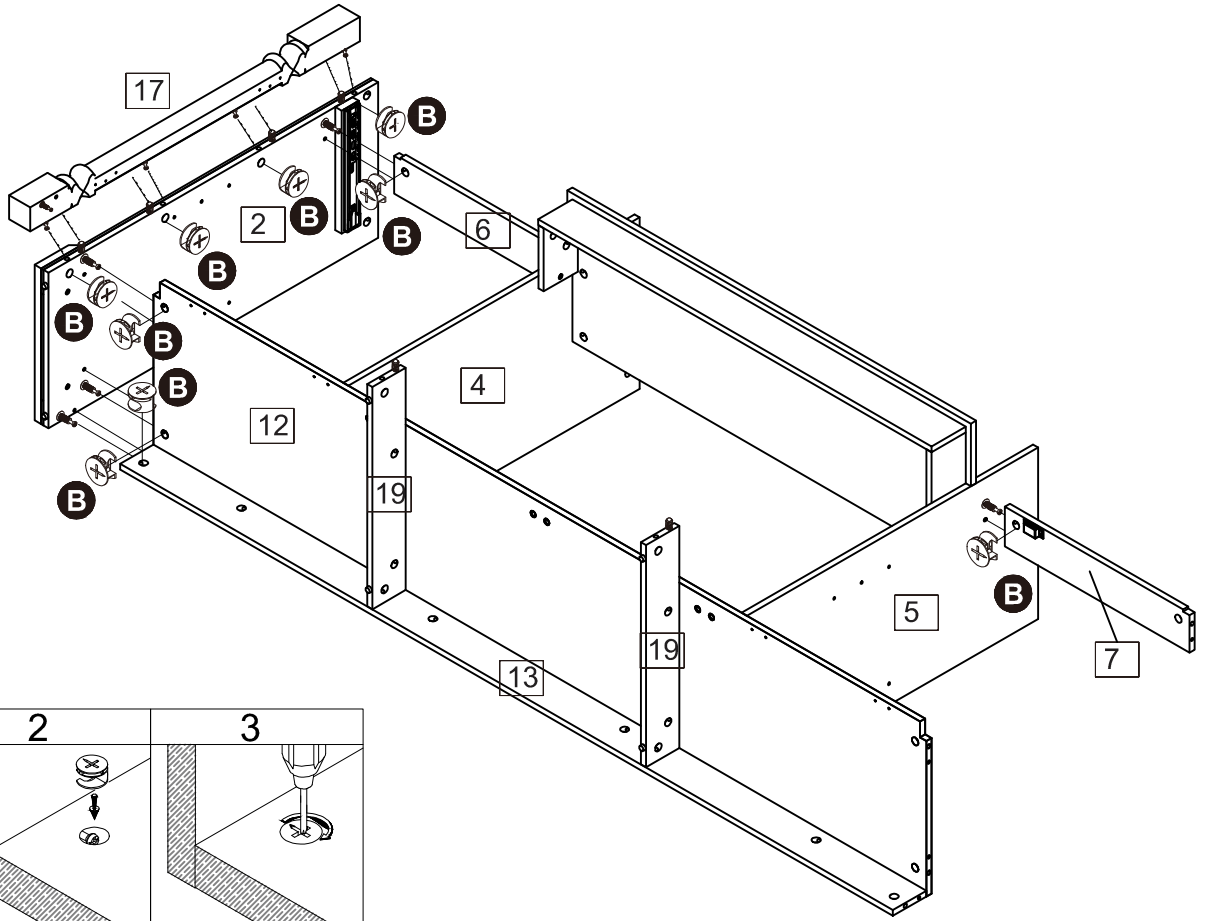


Assembly Instructions

Step 16

B

B x 9



Step 17

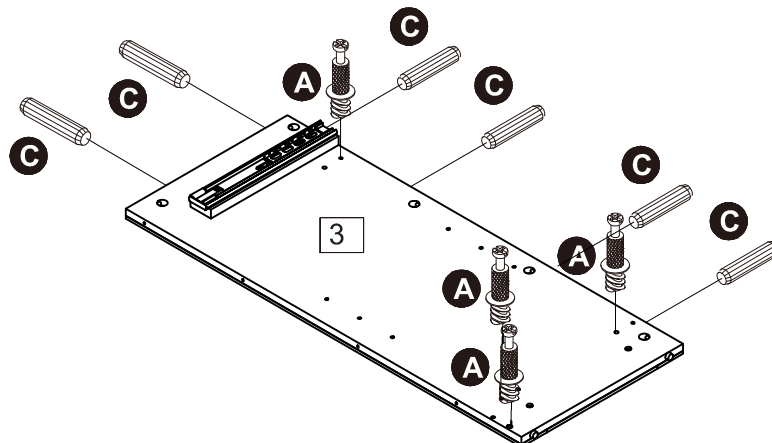
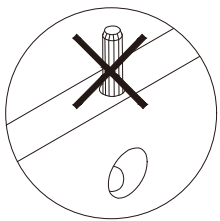
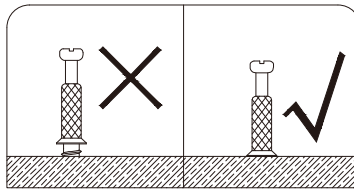
A

A x 4



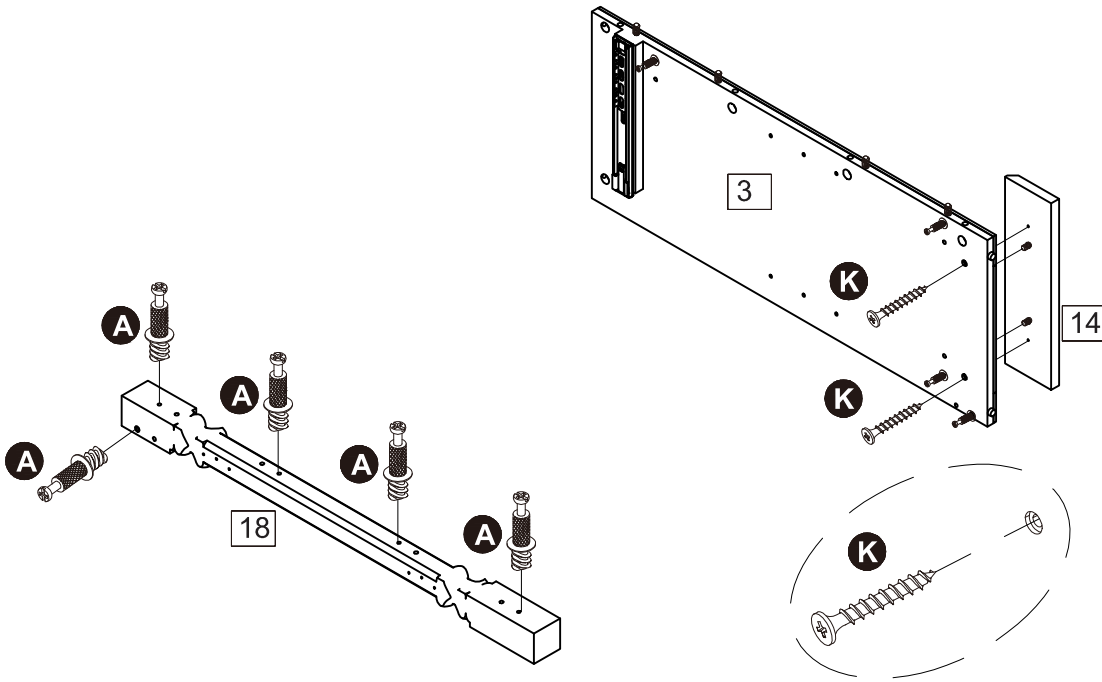
C

C x 6



Assembly Instructions

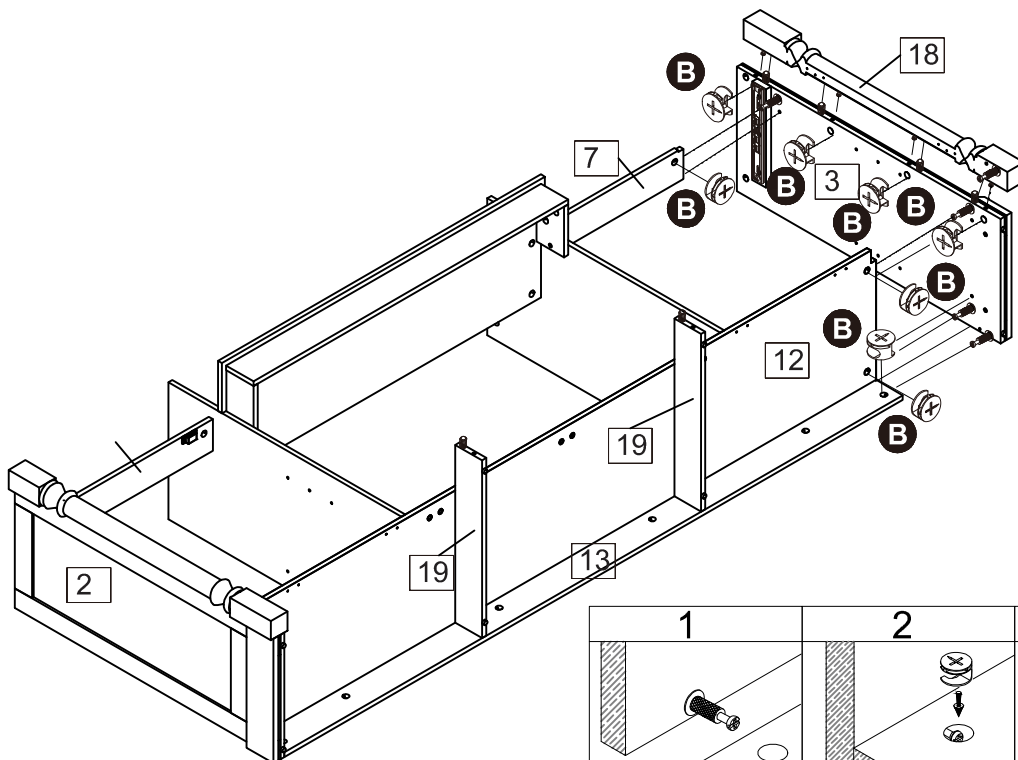
Step 18



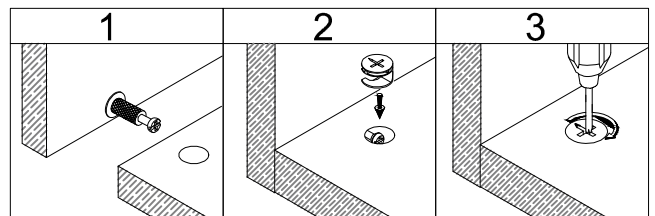
K 
K x 2

A 
A x 5

Step 19

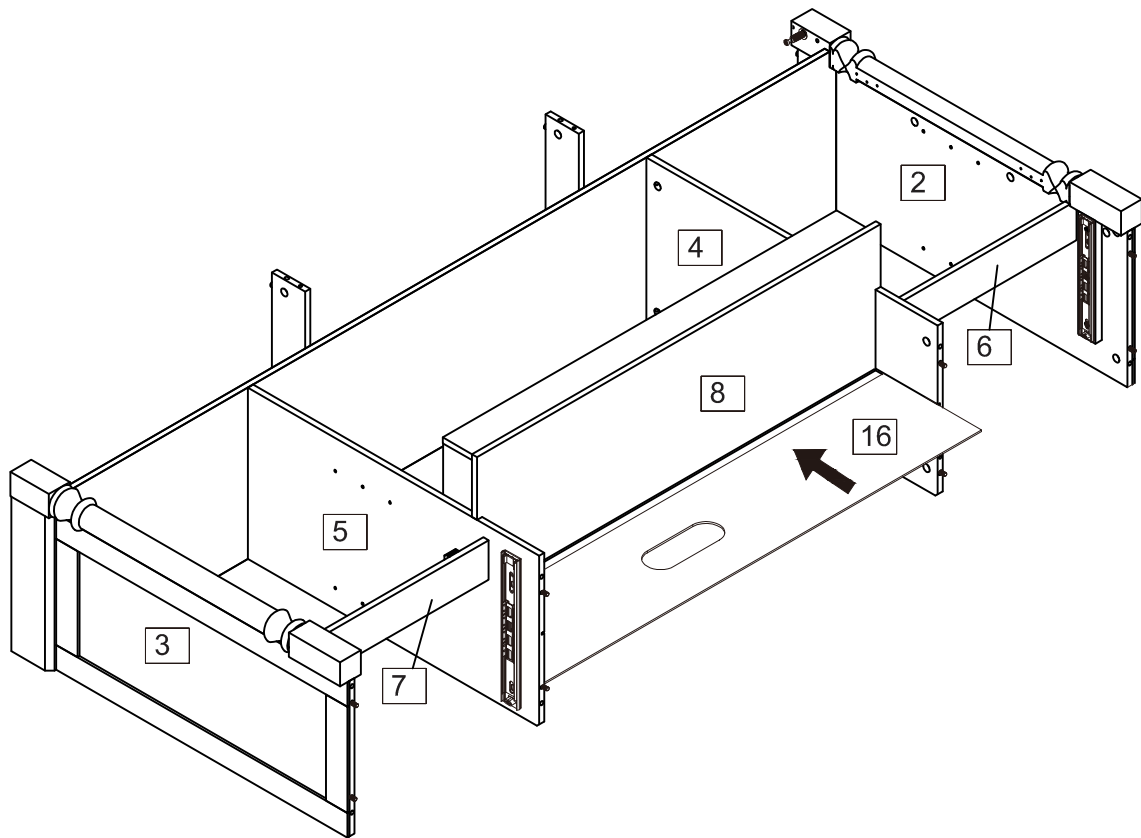


B 
B x 8



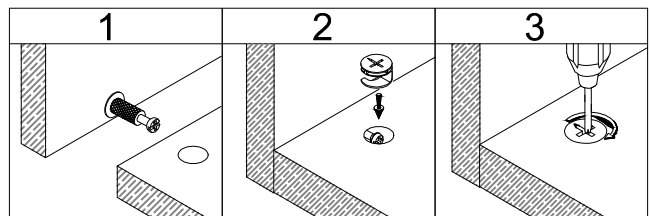
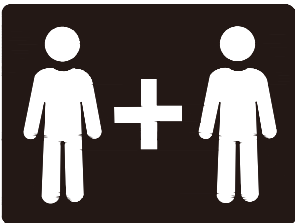
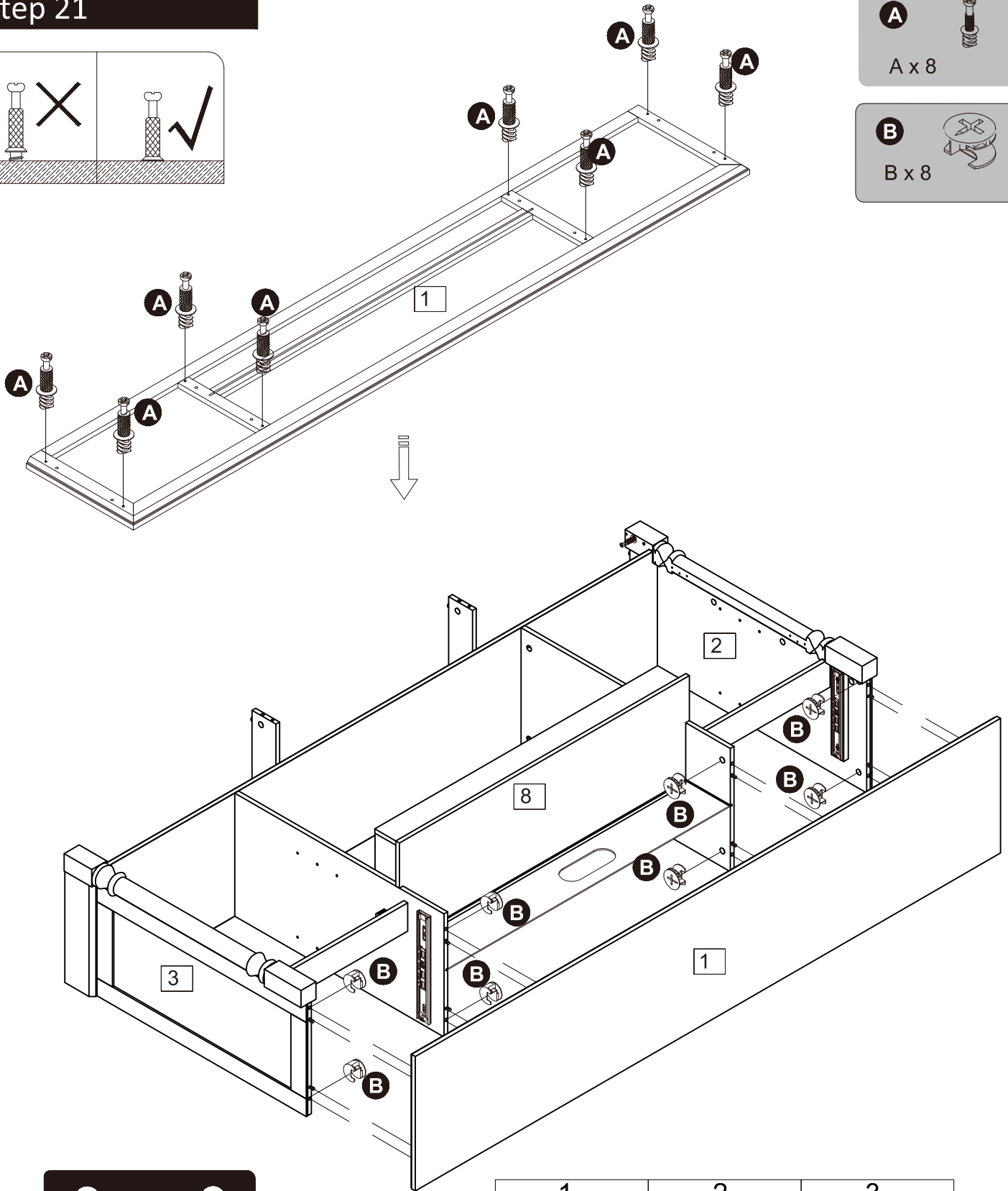
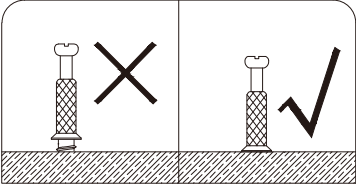
Assembly Instructions

Step 20



Assembly Instructions

Step 21

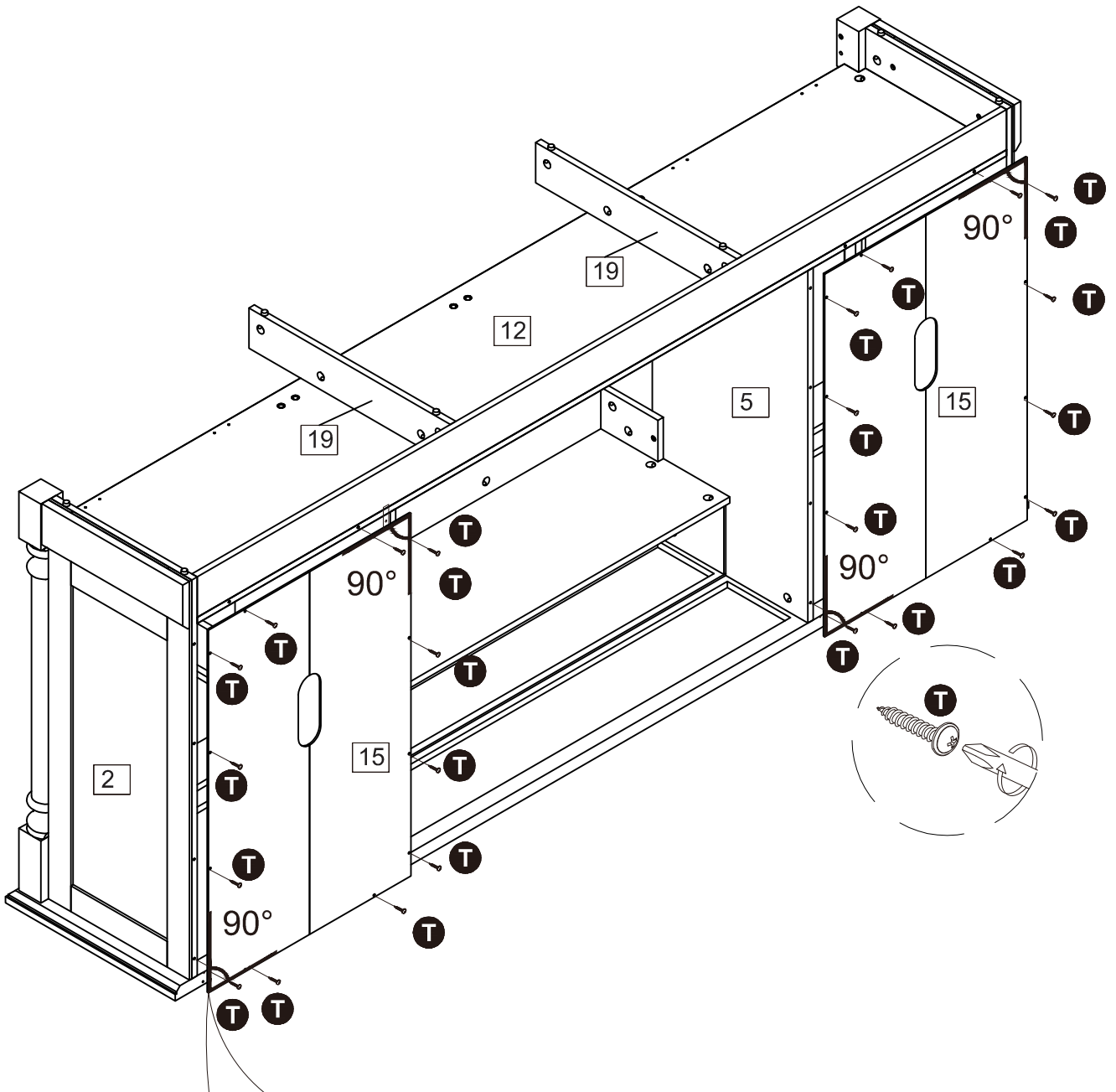


Assembly Instructions

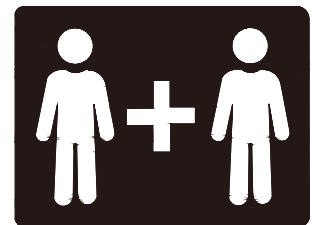
Step 22

T

T x 24

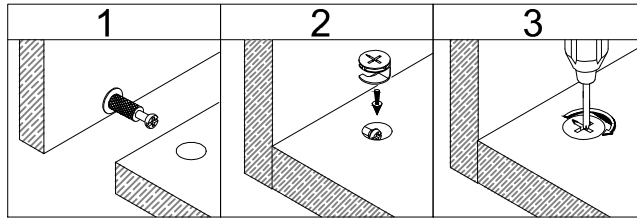


CAUTION: Before attaching the back panel make ,be sure that the unit is at 90°.



Assembly Instructions

Step 23



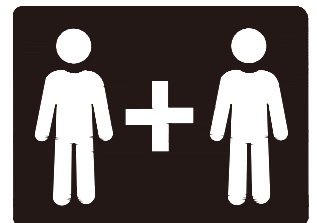
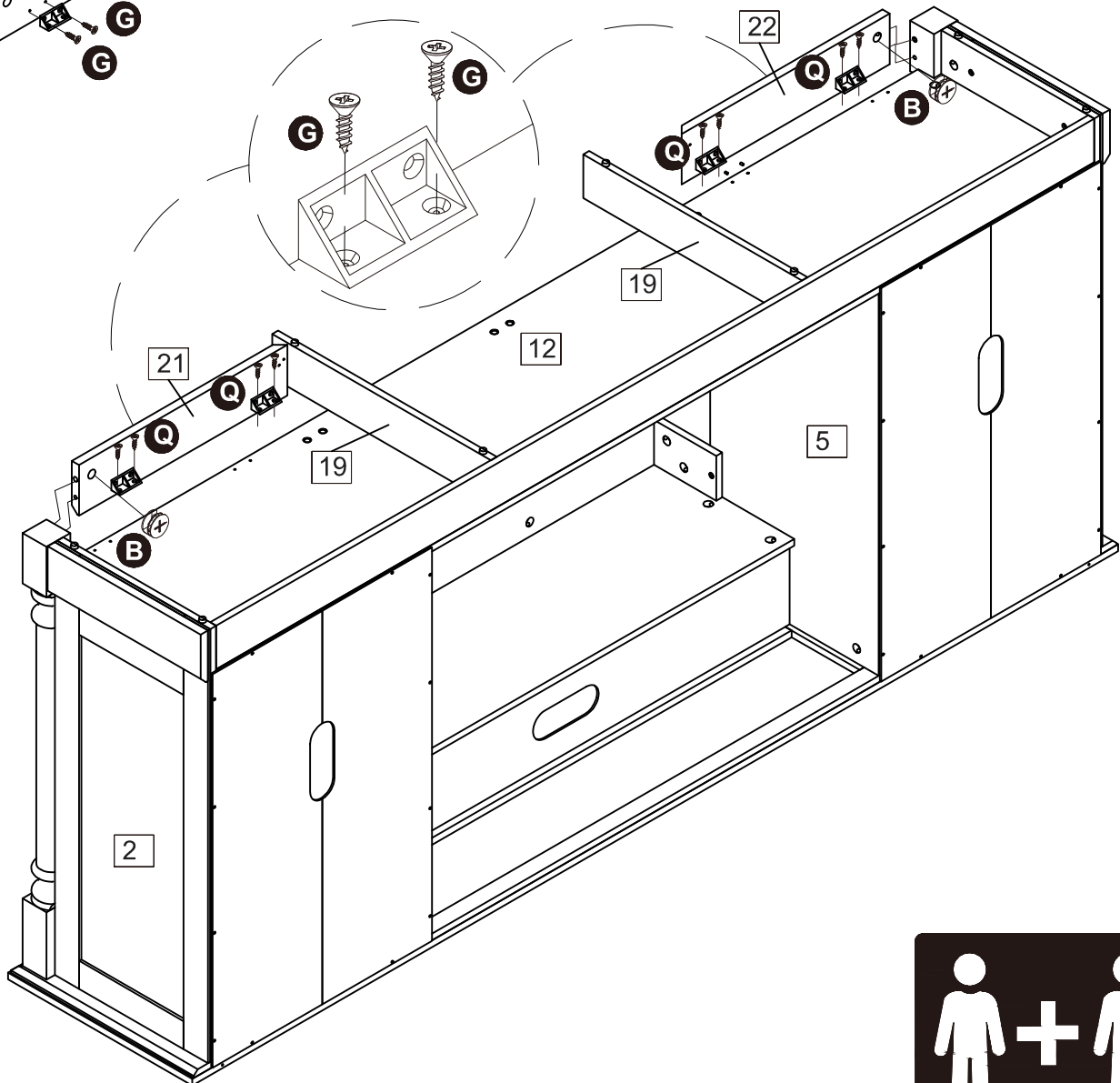
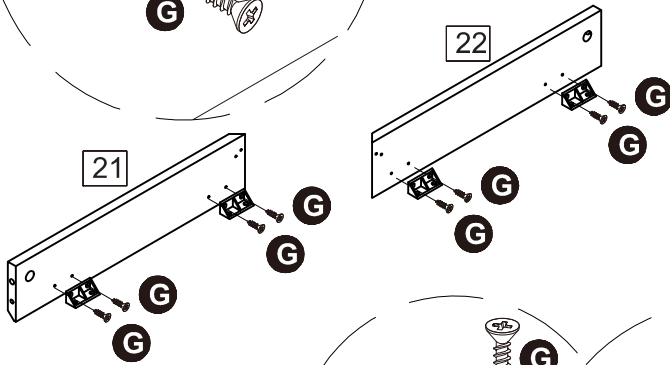
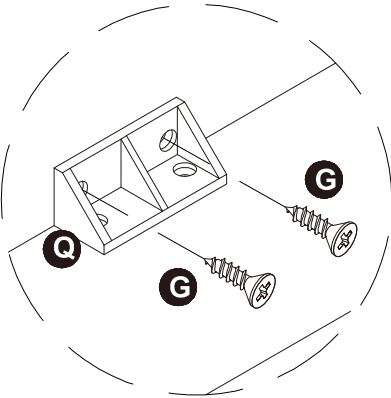
G x 16



Q x 4

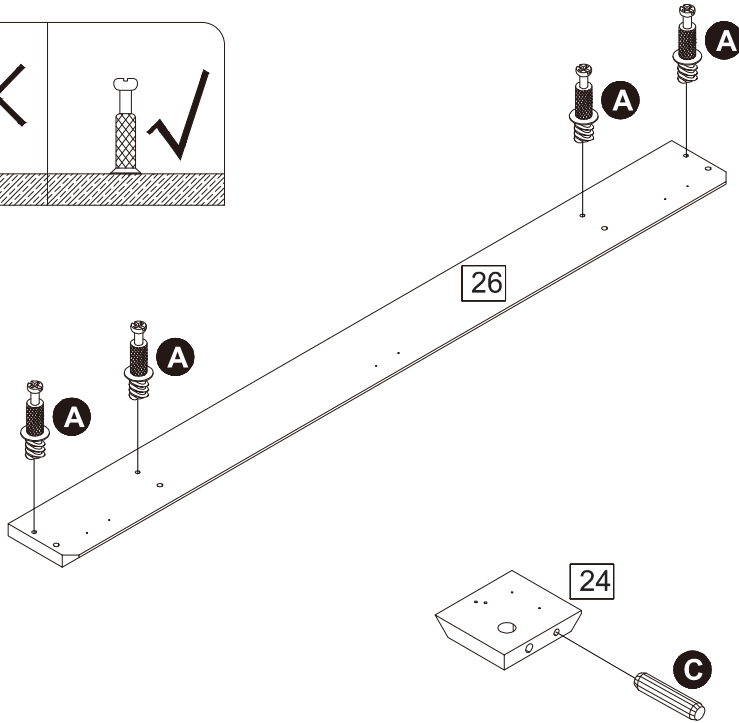
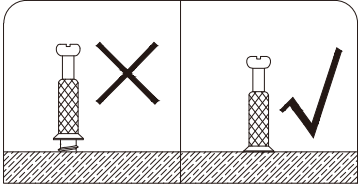


B x 2



Assembly Instructions

Step 24



A



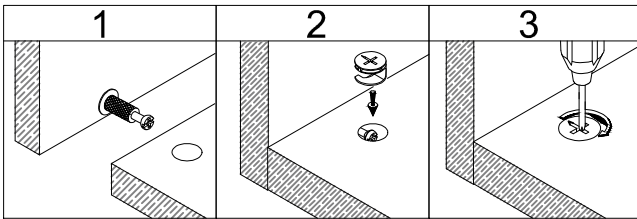
A x 4

C



C x 2

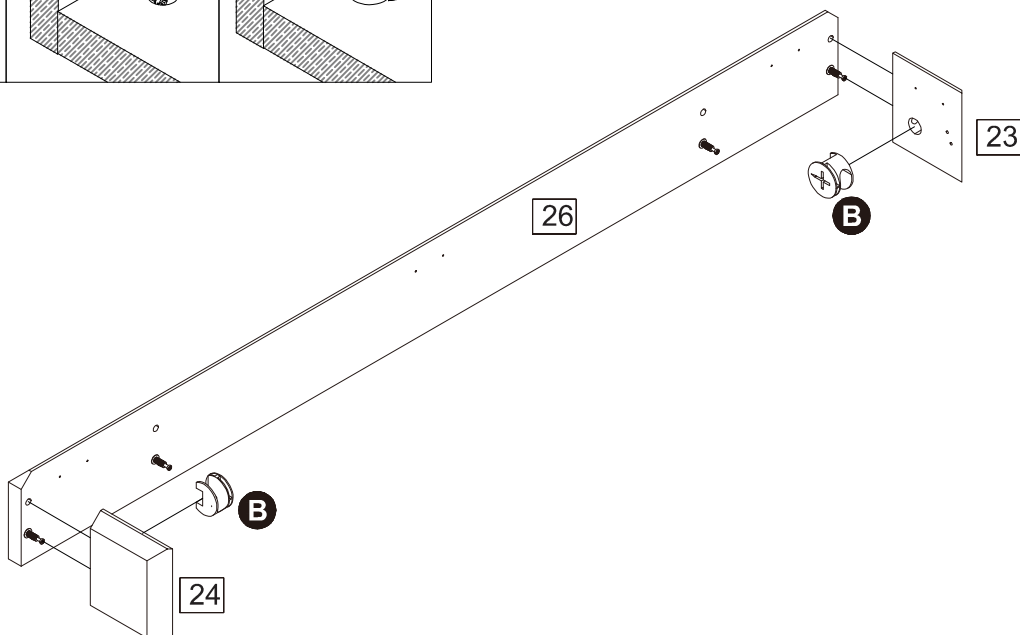
Step 25



B

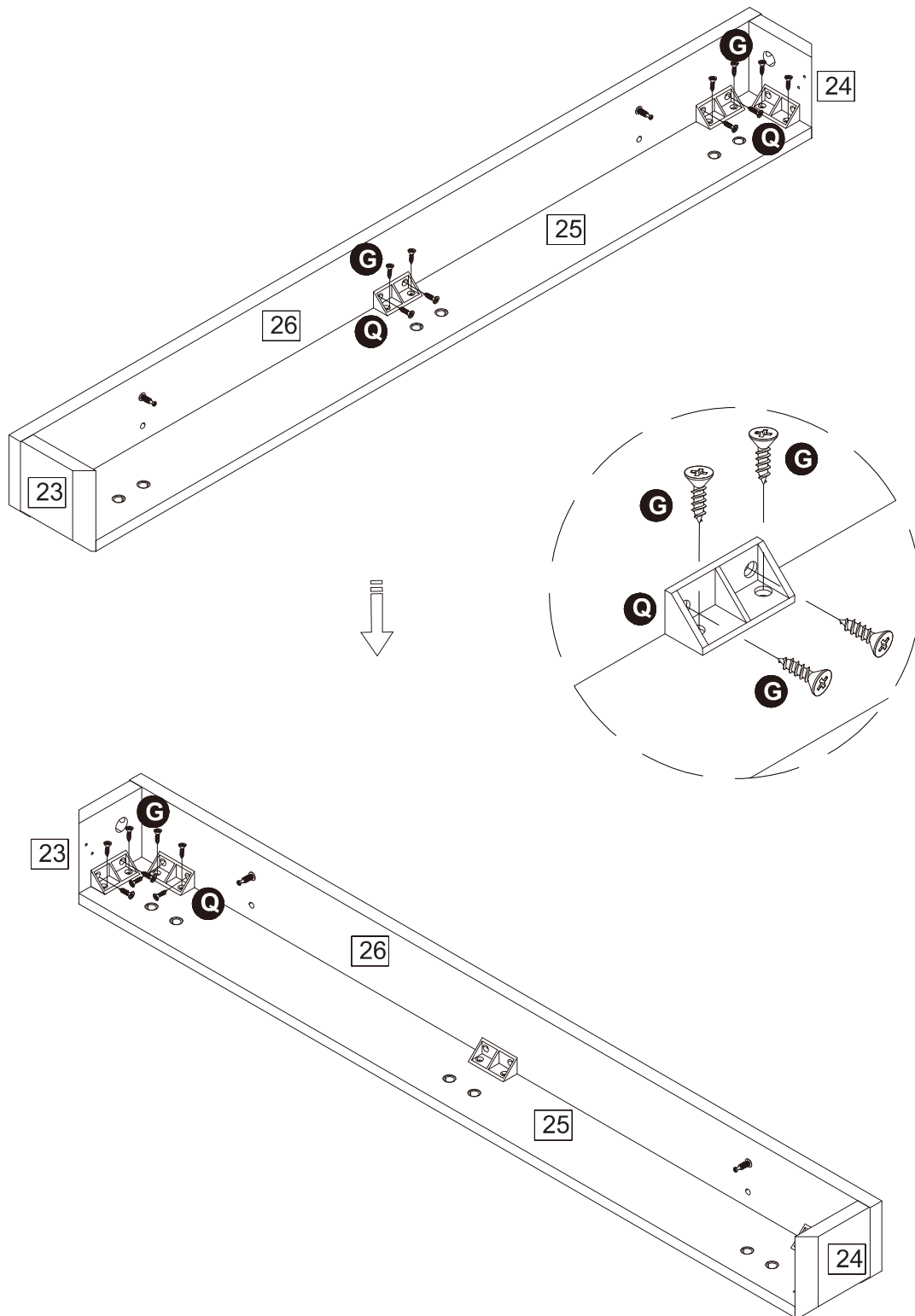


B x 2



Assembly Instructions

Step 26



G x 20



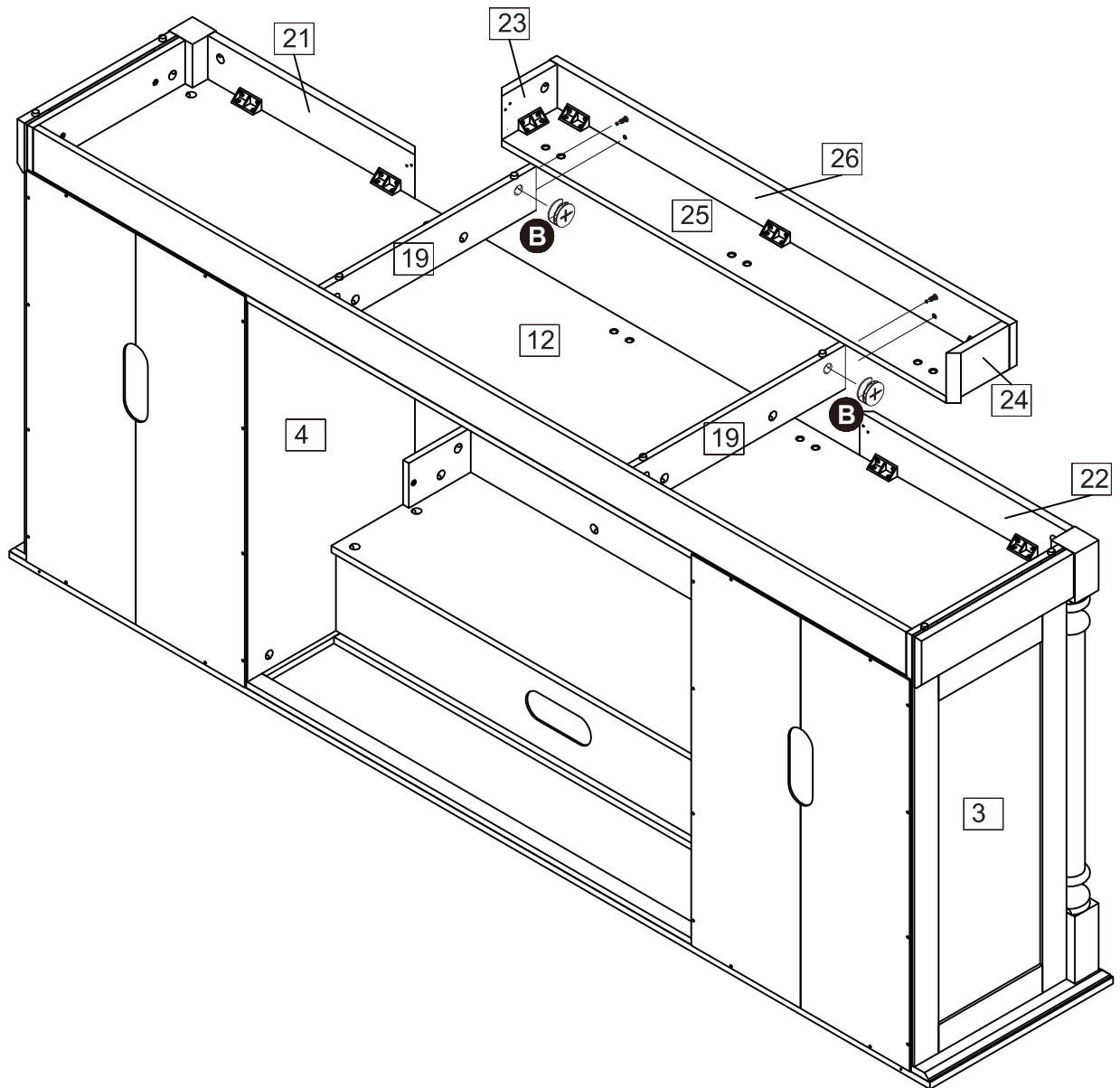
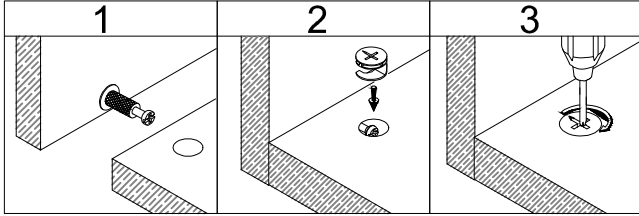
Q x 5

Assembly Instructions

Step 27

B

B x 2



Assembly Instructions

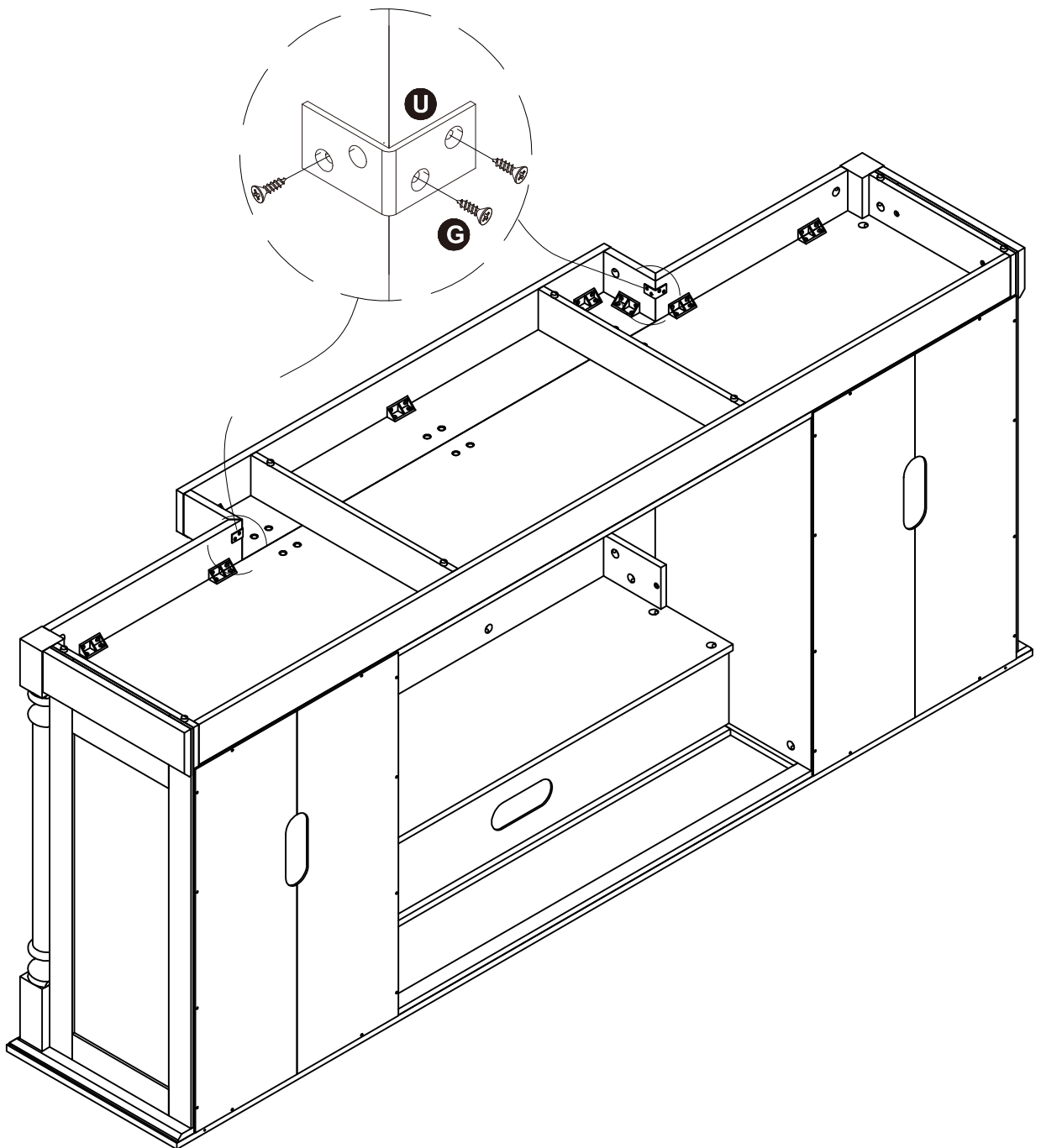
Step 28



G x 8



U x 2



Assembly Instructions

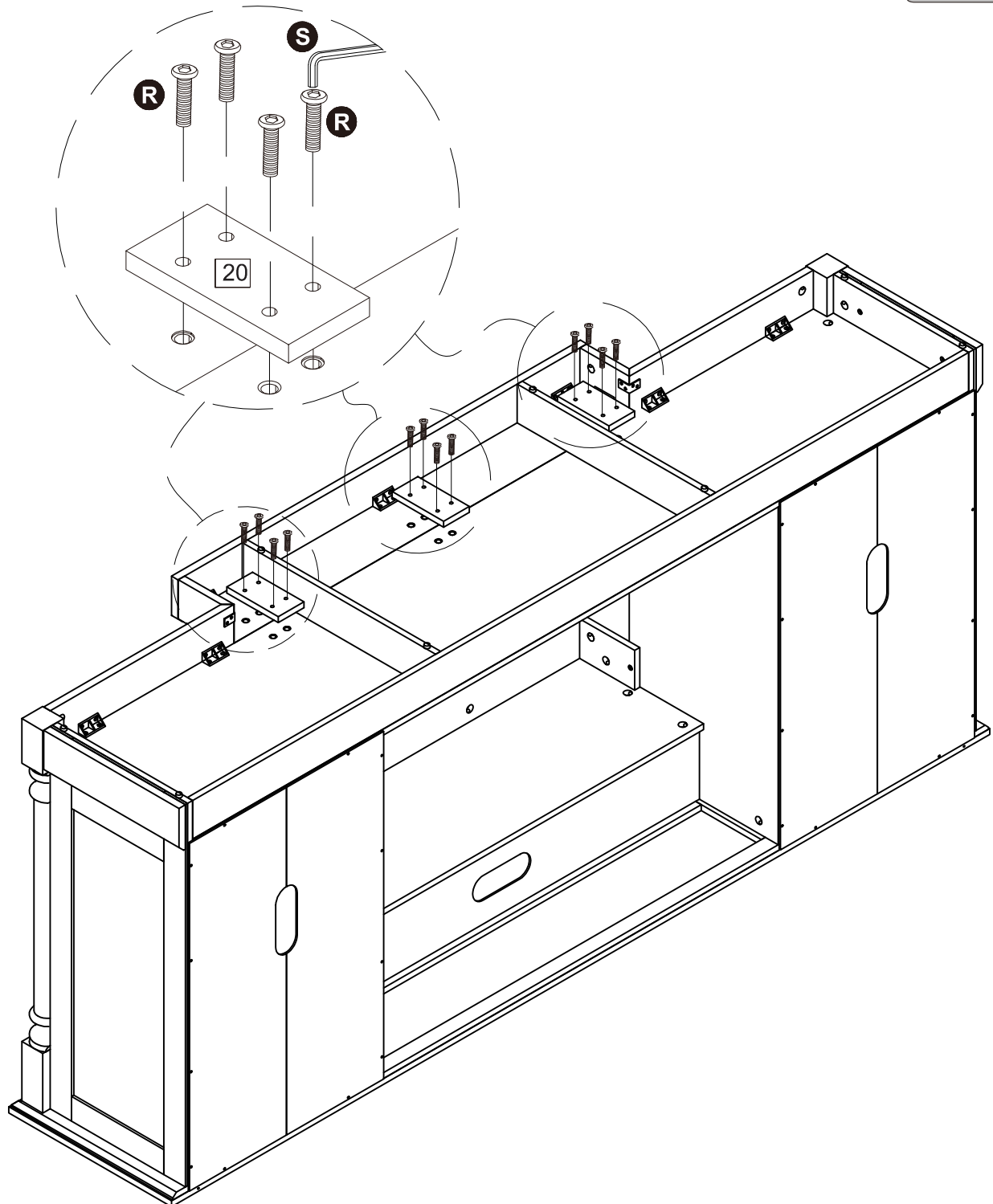
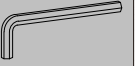
Step 29

R



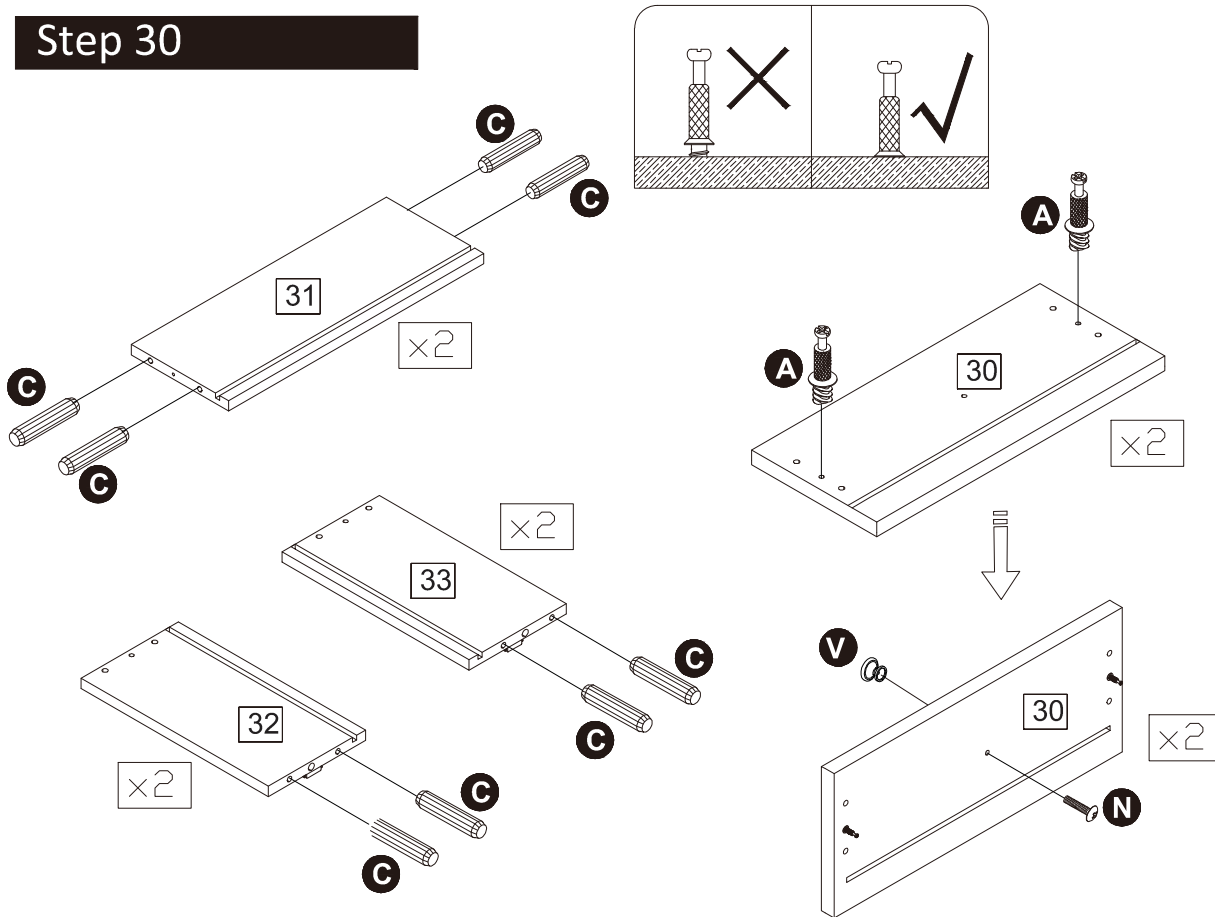
R x 12

S

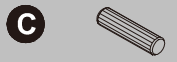


Assembly Instructions

Step 30



A x 4



C x 12

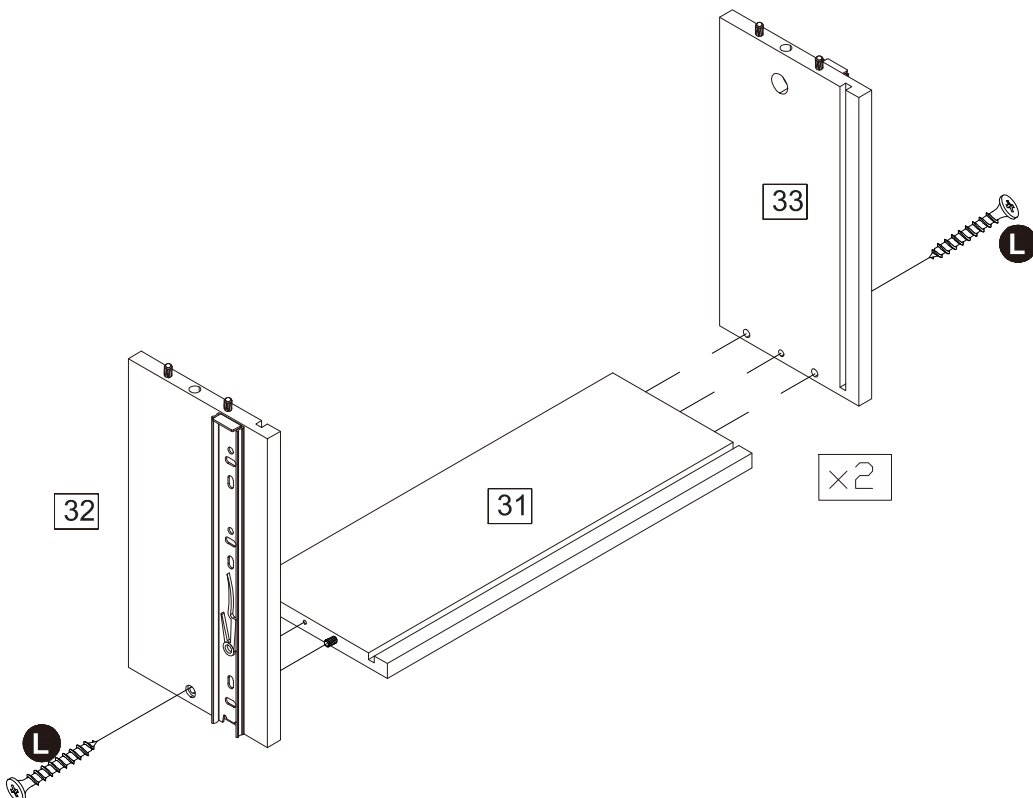


V x 2



N x 2

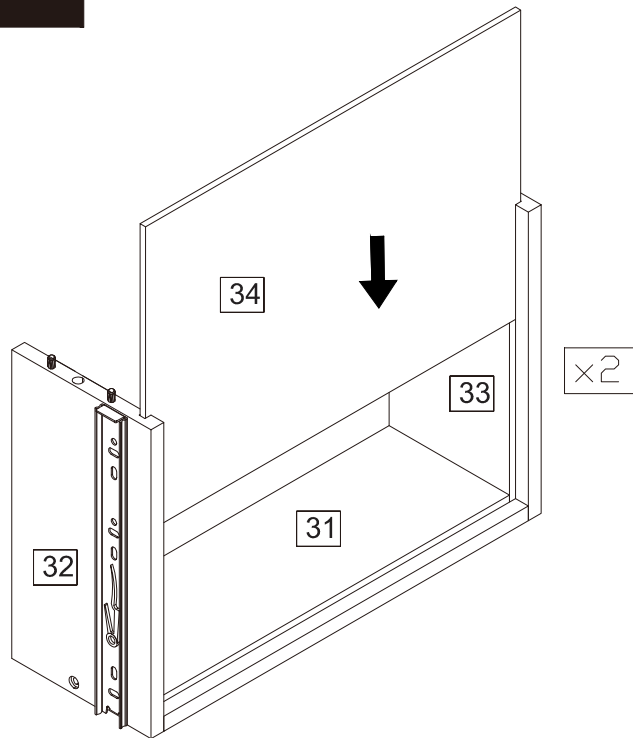
Step 31



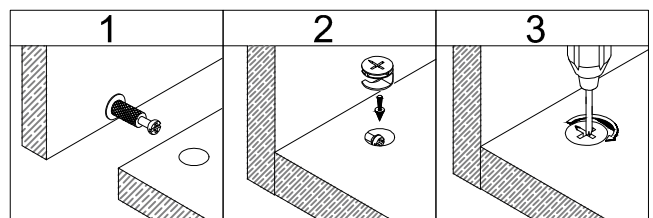
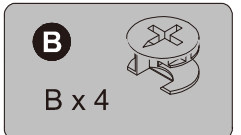
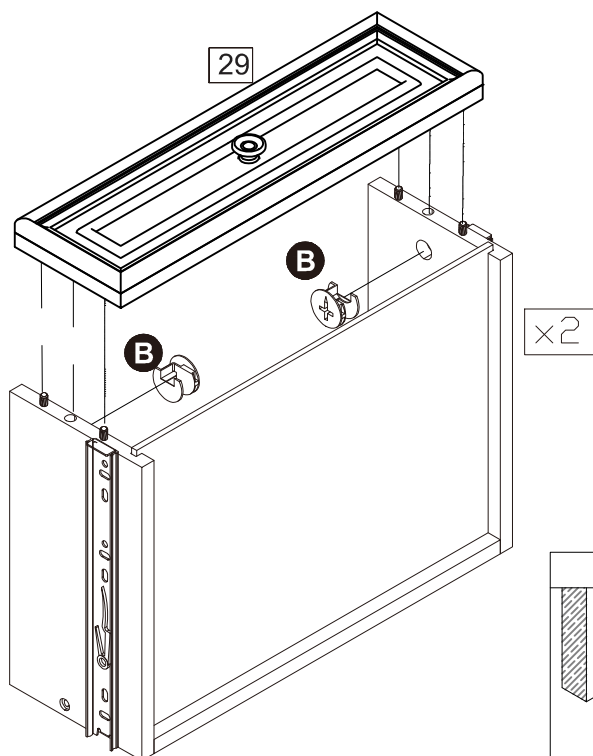
L x 4

Assembly Instructions

Step 32

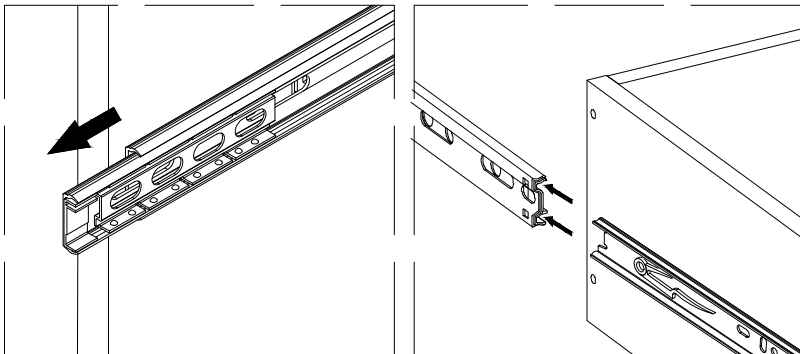
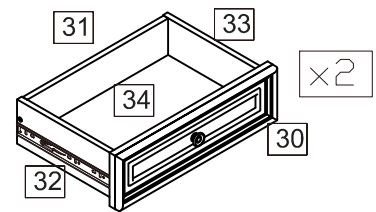
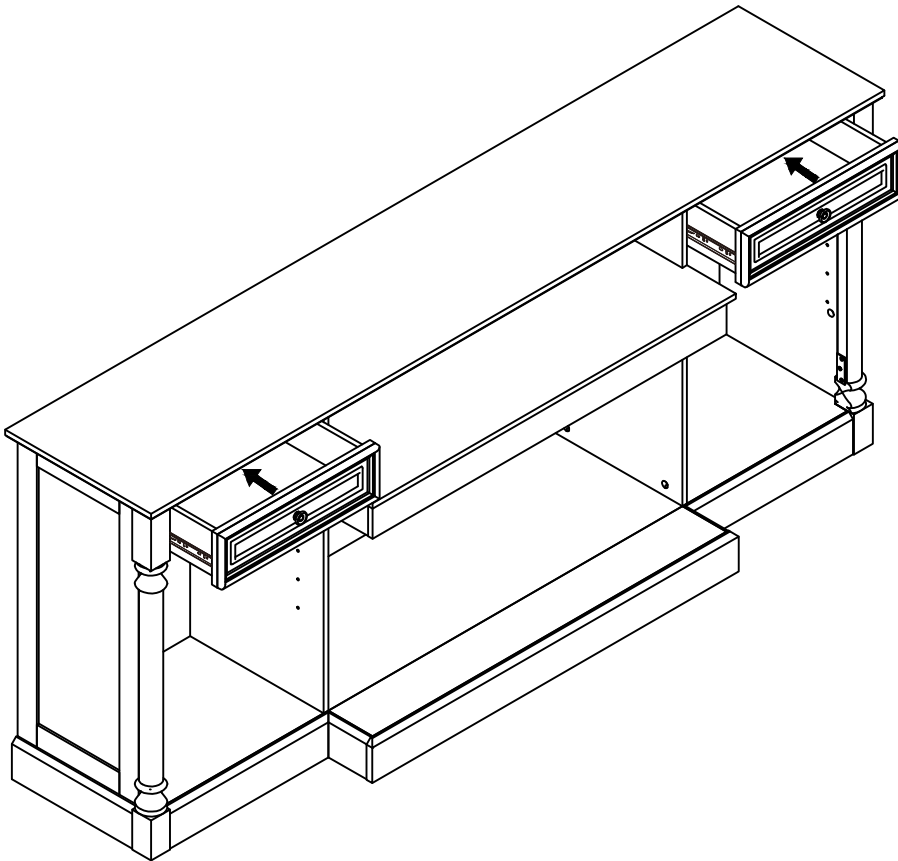


Step 33



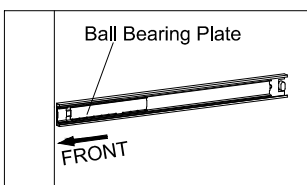
Assembly Instructions

Step 34



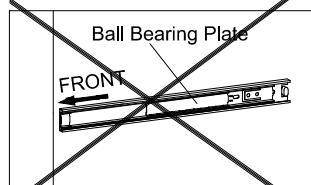
File Drawer Installation

CORRECT 1



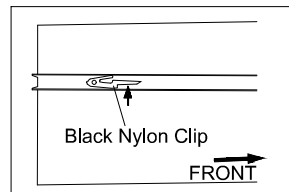
Before inserting the Drawer, make sure to slide the ball bearing plates located on the Side Frames to the FRONT of the unit as illustrated.

INCORRECT 2



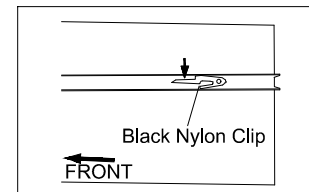
File Drawer Removal

3



To release the glides, pull the Drawer out until you can see/feel the black nylon clips. Now press the clip on the Left Glide UPWARD while lifting the clip on the Right Glide DOWNWARD. This will release the Drawer to be easily removed.

4

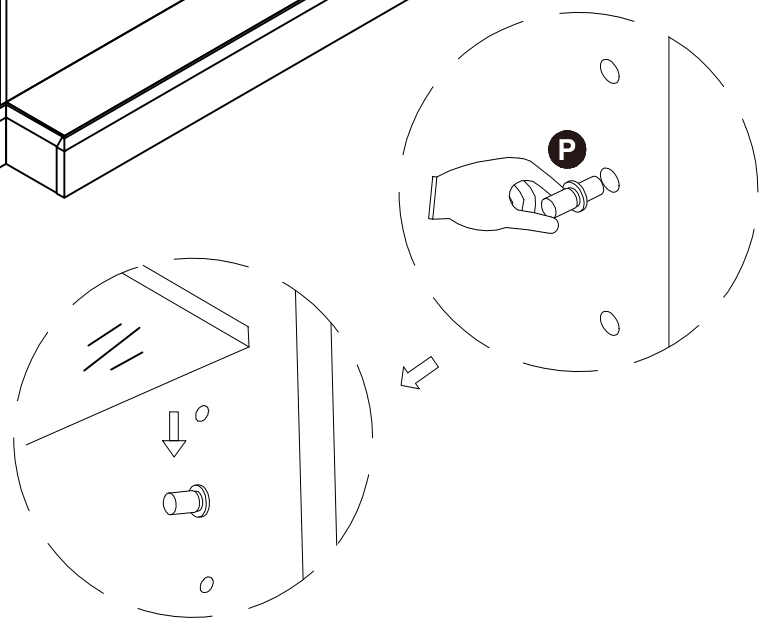
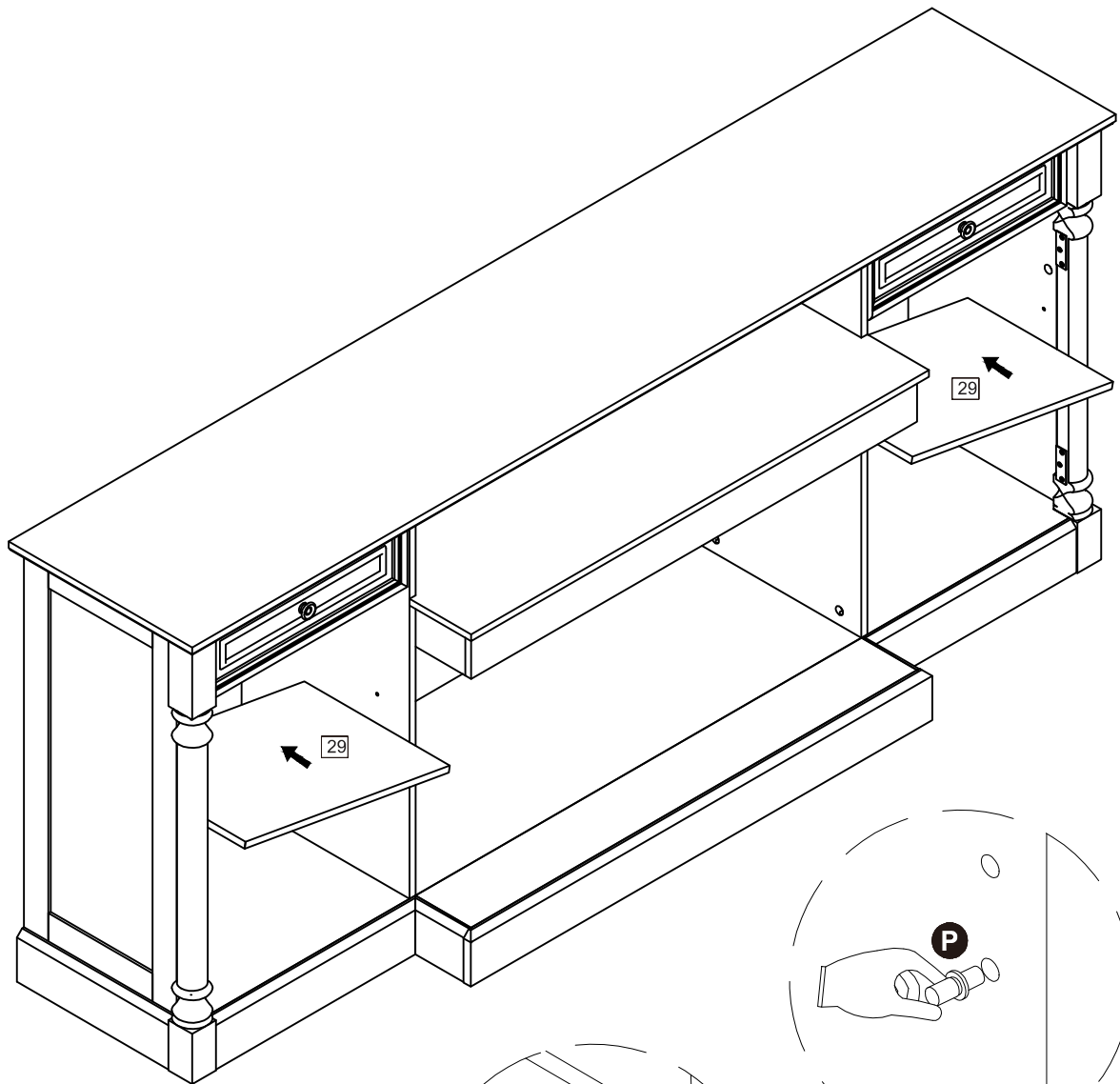


Assembly Instructions

Step 35

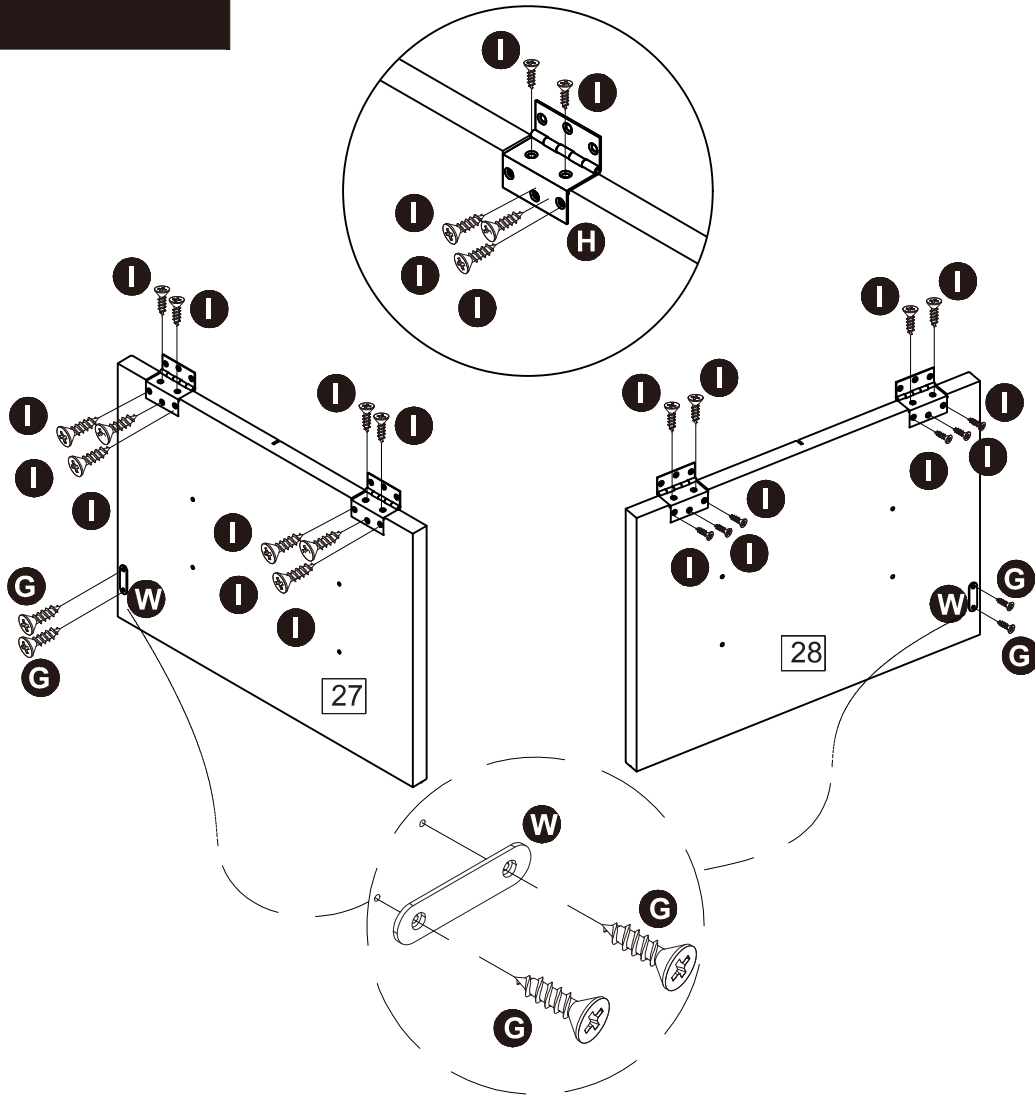
P

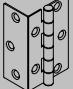
P x 8



Assembly Instructions

Step 36



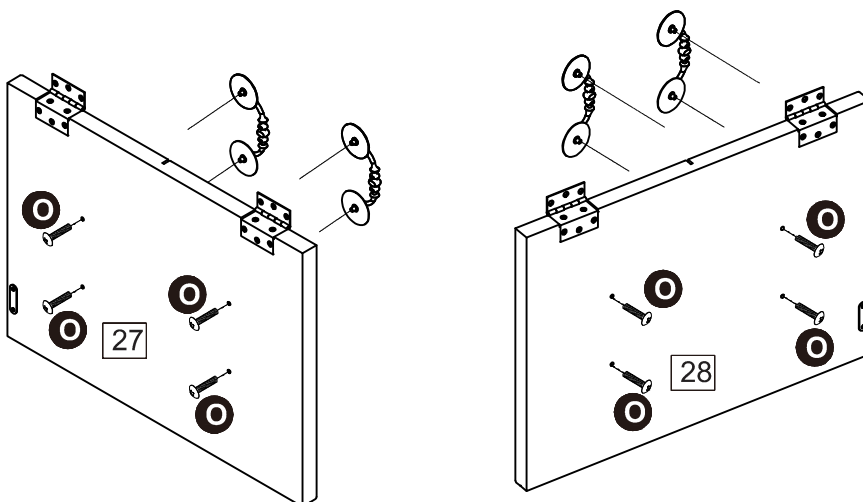
H 
H x 4

I 
I x 20

G 
G x 4

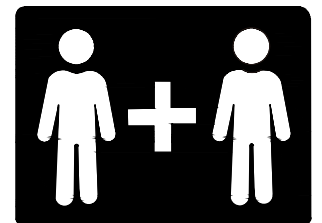
W 
W x 4

Step 37



M 
M x 4

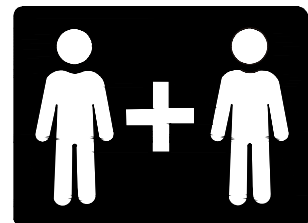
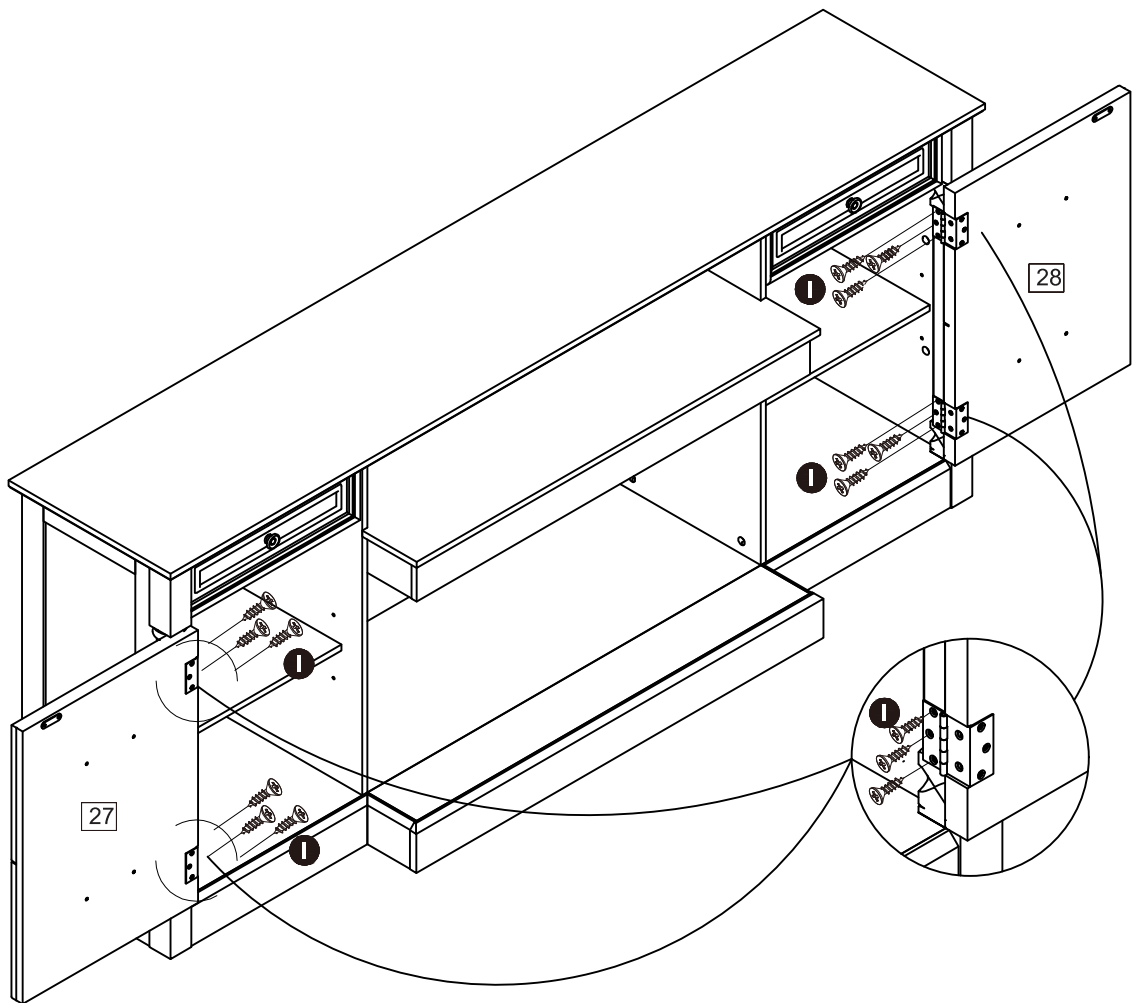
O 
O x 8



Assembly Instructions

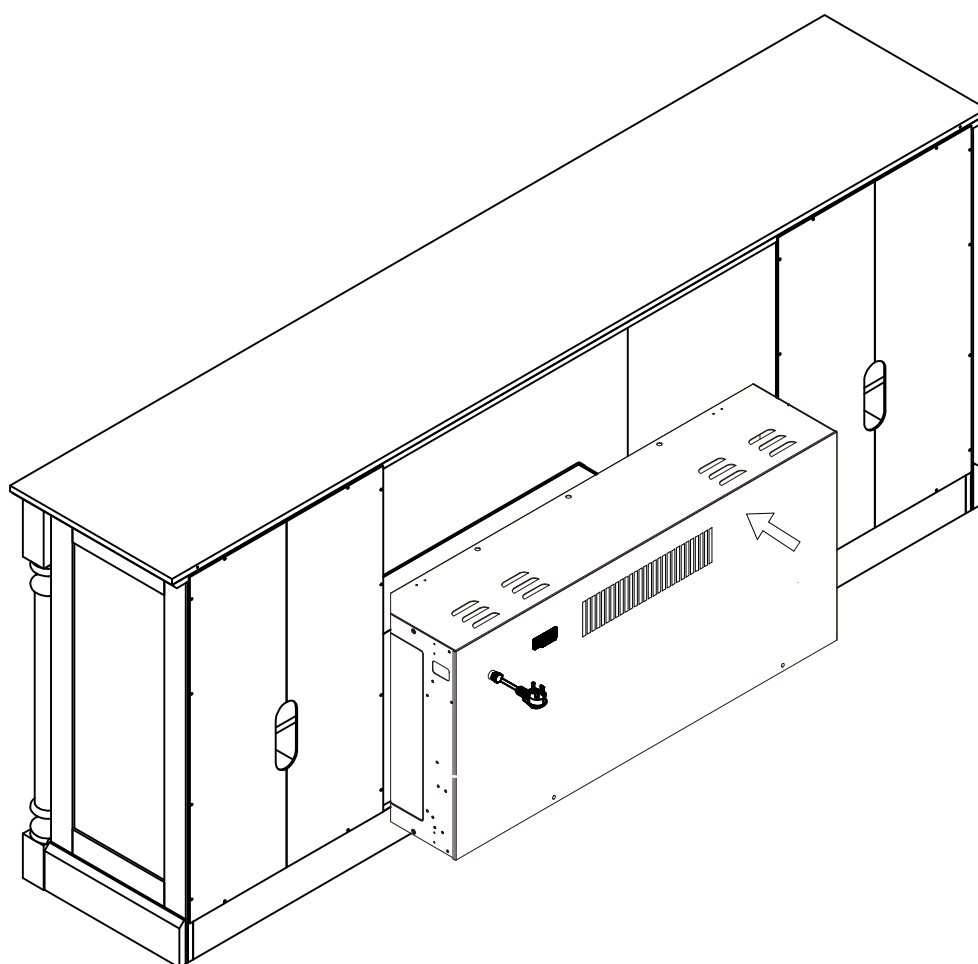
Step 38

I 
1 x 12



Assembly Instructions

Step 39



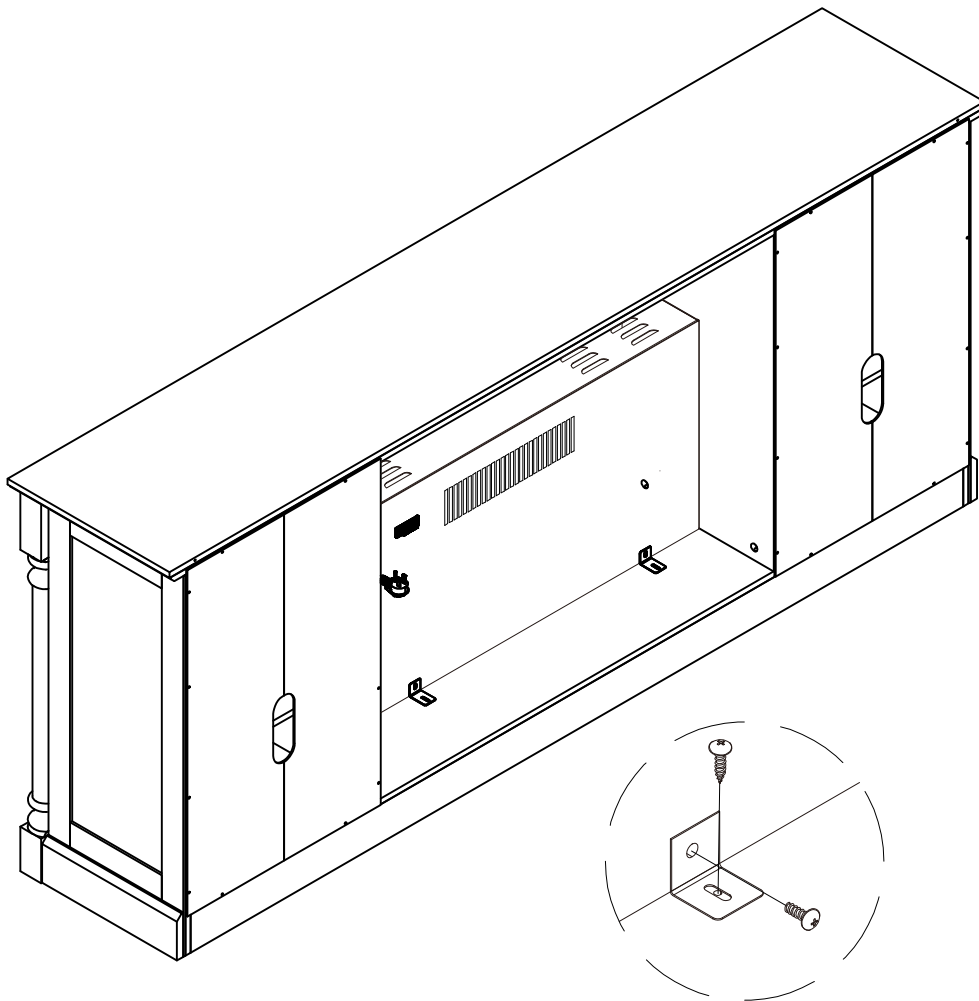
Assembly Instructions

Step 40

x 2



x 2



Assembly Instructions

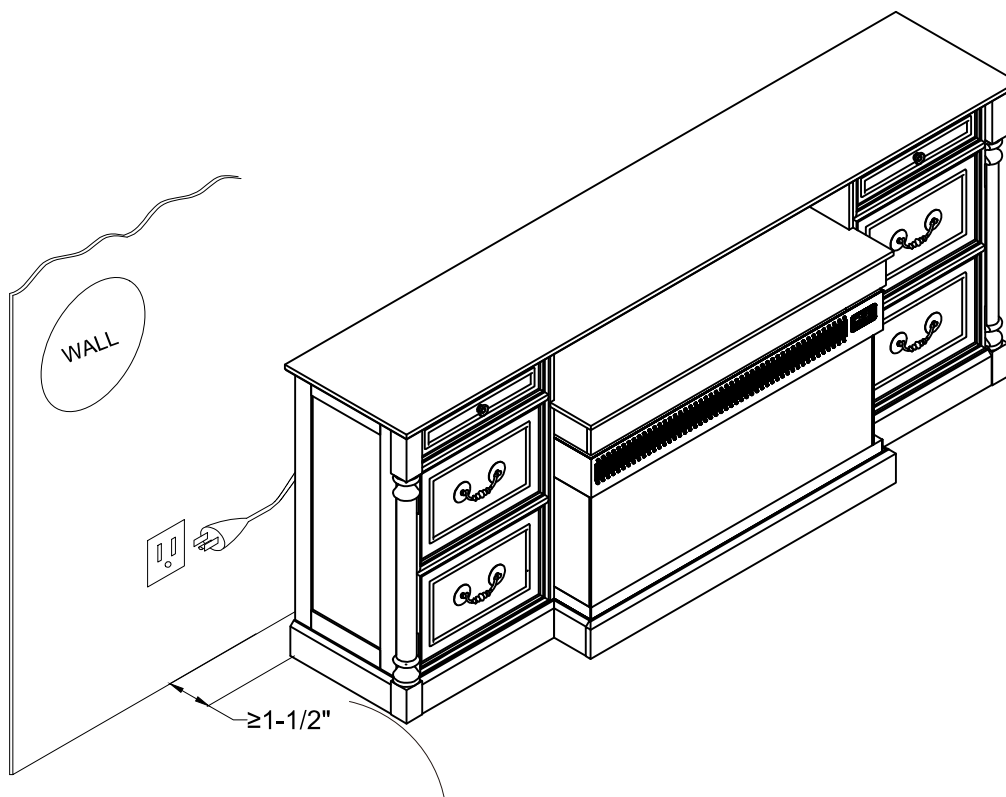
Step 41

BEFORE CONNECTING THE UNIT TO A WALL ELECTRIC OUTLET

Please carefully read and follow instructions and safety warnings in "Fireplace Homeowners Operating Manual" to operate your fireplace.

WARNING

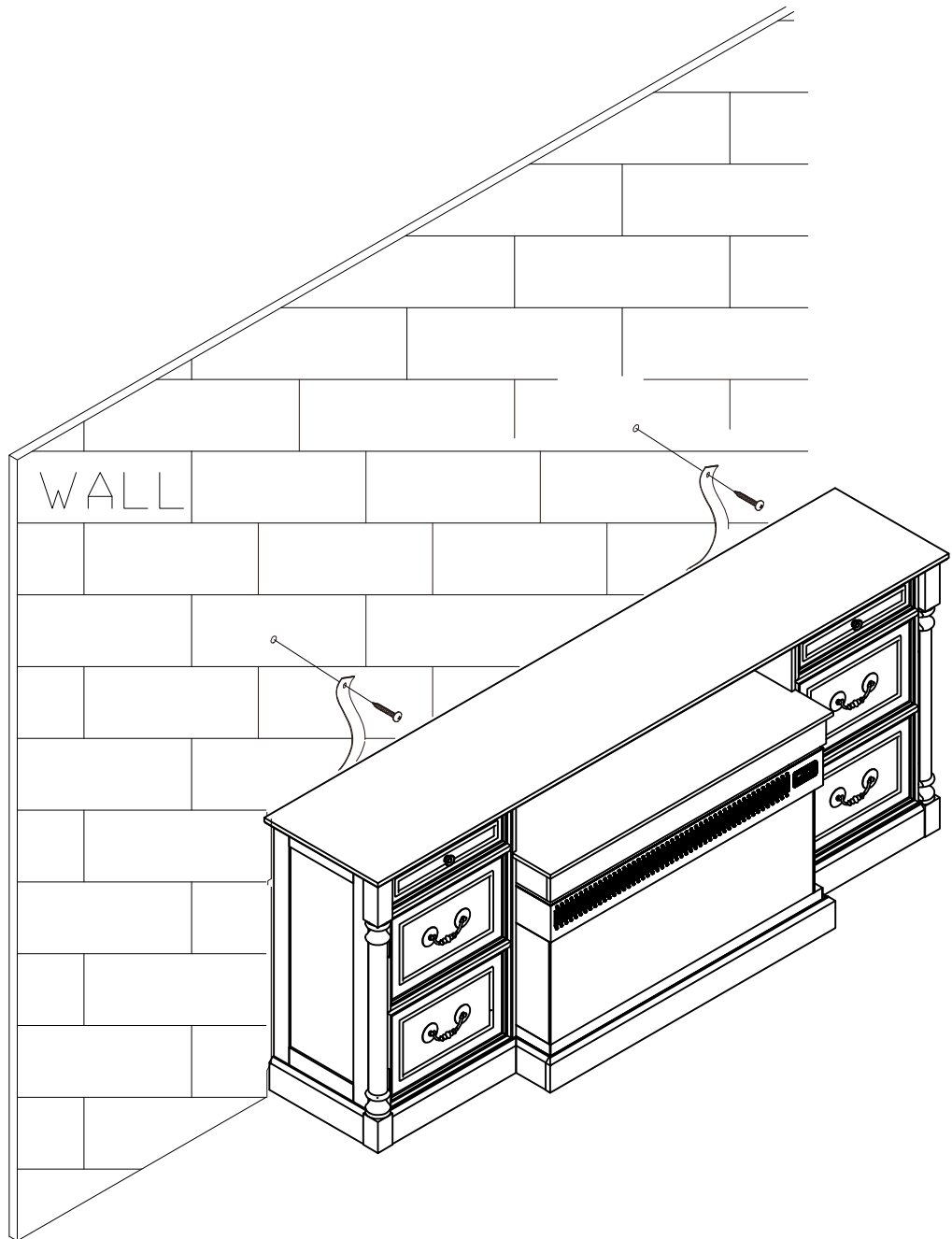
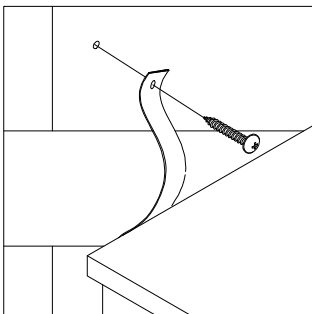
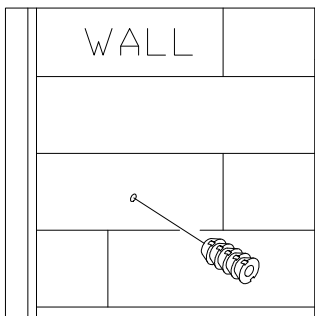
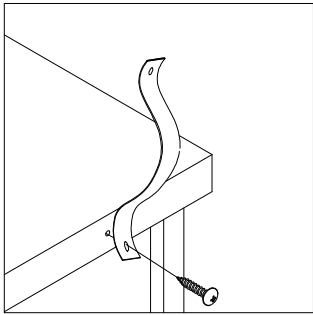
IF THE INFORMATION IN THE FIREPALCE OPERATING MANUAL IS NOT FOLLOWED, AN ELECTRIC SHOCK OR FIRE MAY RESULT IN PROPERTY DAMAGE, PERSONAL INJURY , OR LOSS OF LIFE .



To allow proper heater ventilation, this unit must be located a minimum of 1-1/2" away from a back wall.

Assembly Instructions

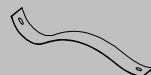
Step 42



V x 2



x 2



x 2



x 2