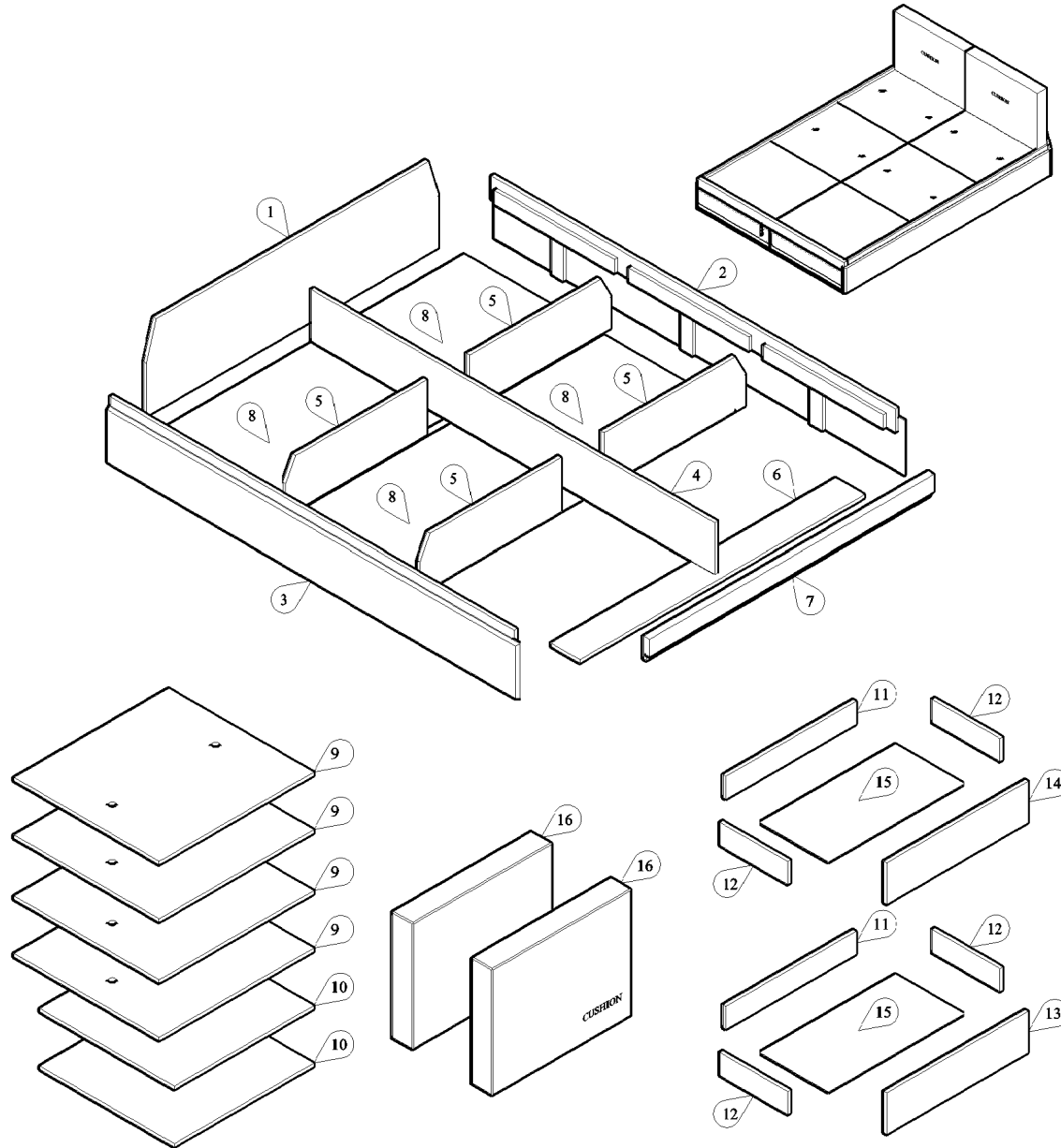


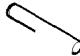





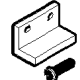



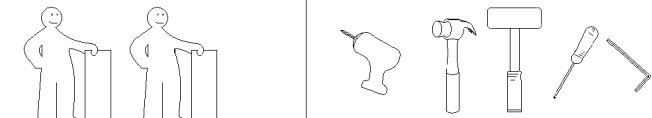
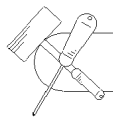


PANEL POSITION



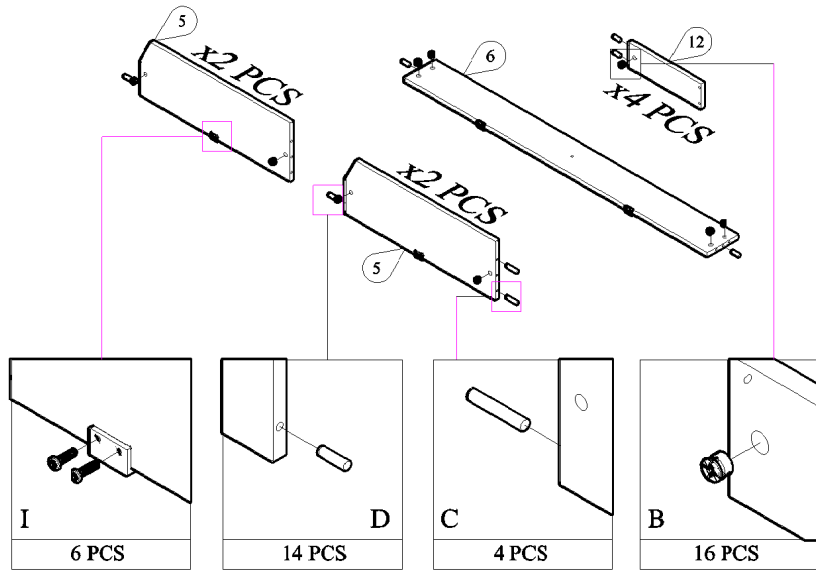
| | ACCESSORIES | QUANTITY |
|---|---|------------------|
| A |  MINIFIX M5 x 24MM | 17 PCS |
| B |  MINIFIX CASING | 21 PCS |
| C |  WOOD DOWEL M8 x 50MM | 4 PCS |
| D |  WOOD DOWEL M8 x 30MM | 24 PCS |
| E |  SCREW M7 x 50MM | 6 PCS |
| F |  SCREW M4 x 38MM | 8 PCS |
| G |  DRAWER SLIDE 14" SCREW M3.5 x 12MM | 2 SETS 24 PCS |
| H |  PVC HANDLE SCREW M4 x 28MM | 2 PCS 4 PCS |
| I |  RECTANGLE LEG SCREW M3.5 x 16MM | 14 PCS 28 PCS |
| J |  POWER PIN | 14 PCS |
| K |  ALLEN KEY | 1 PC |
| L |  MINIFIX M7 x 64MM | 2 PCS |



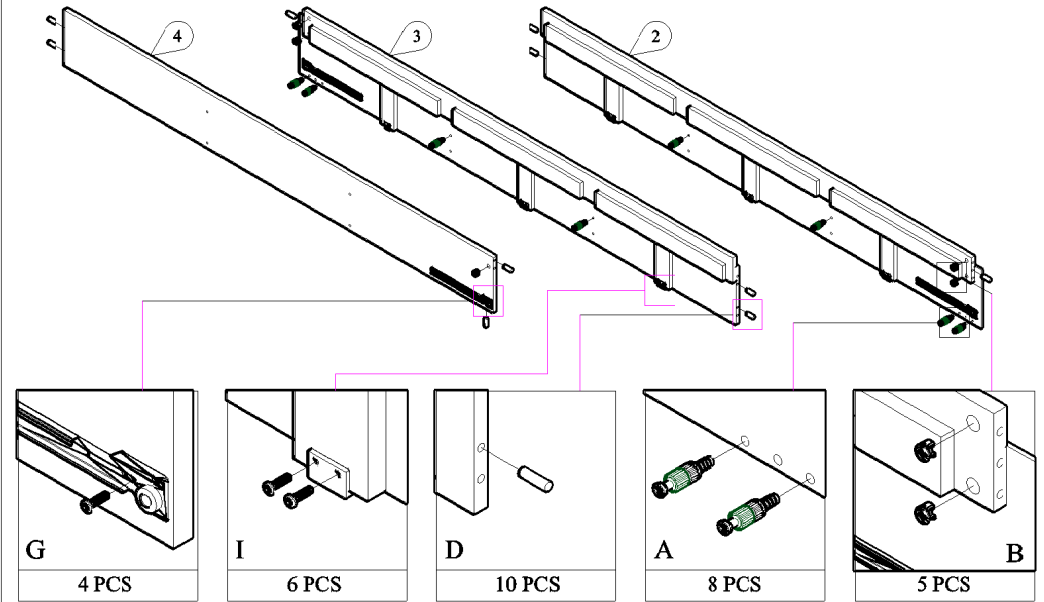


START ASSEMBLY

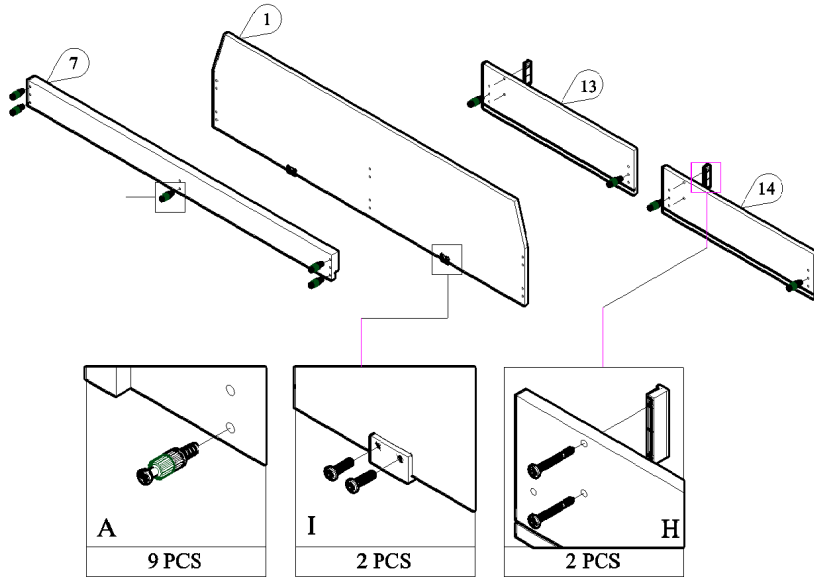
STEP 1



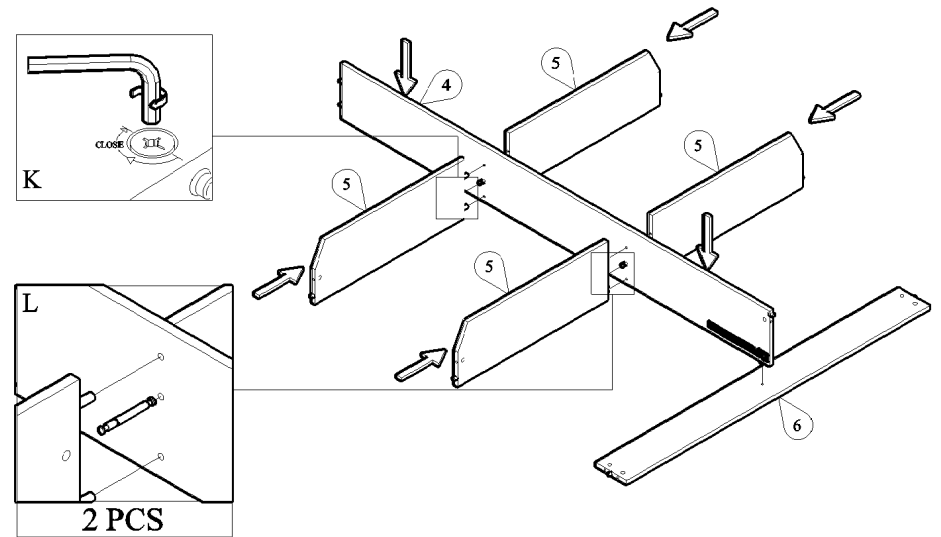
STEP 2



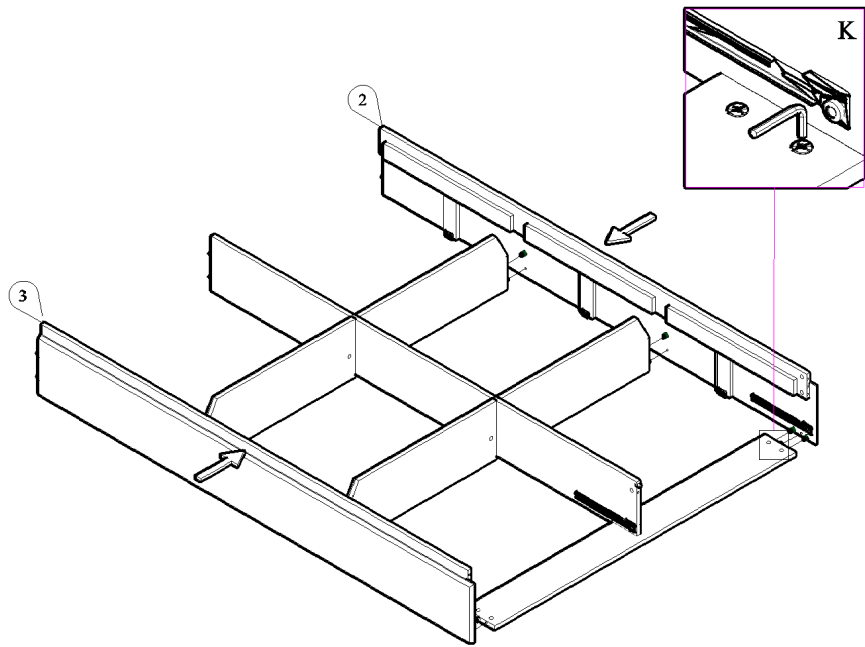
STEP 3



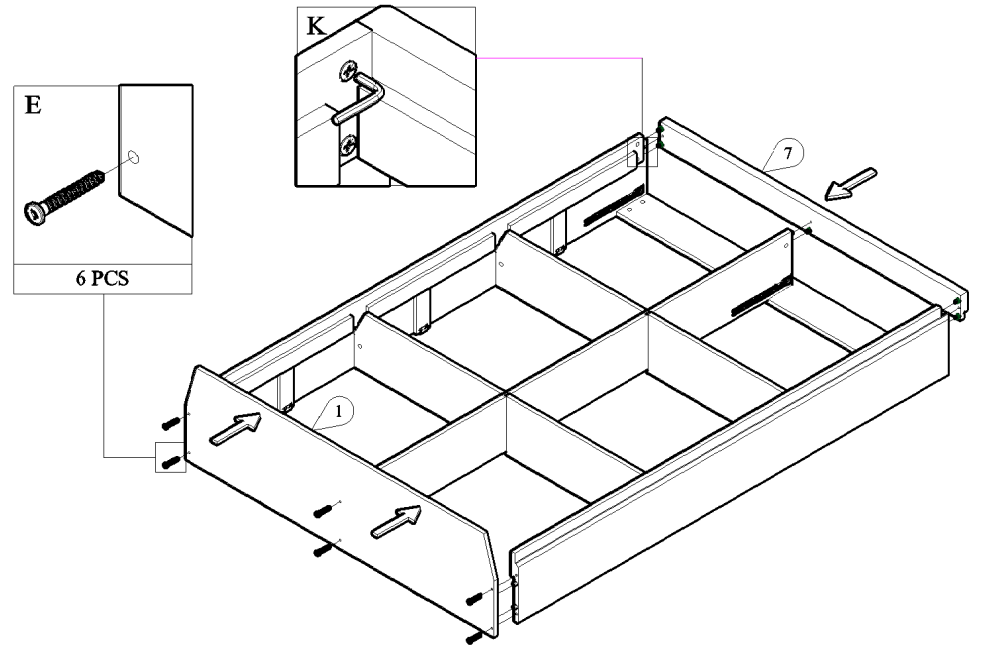
STEP 4



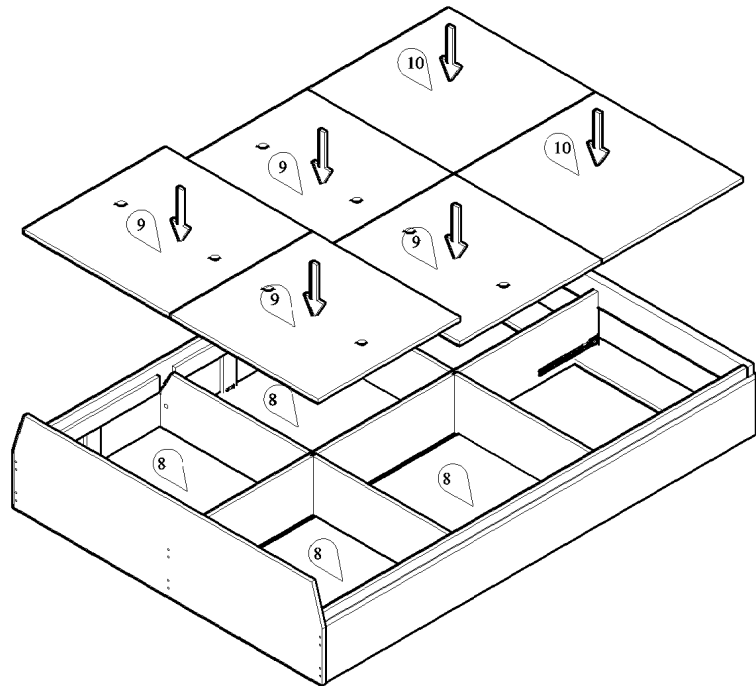
STEP 5



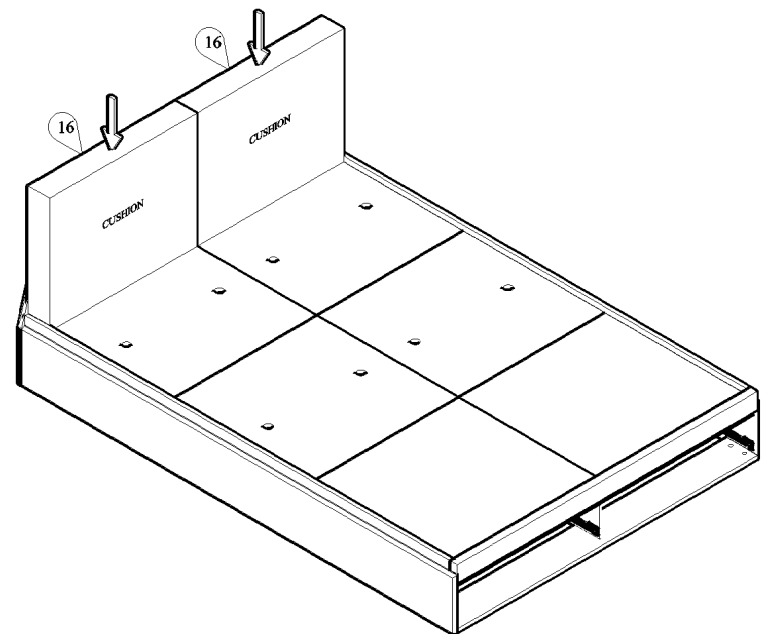
STEP 6



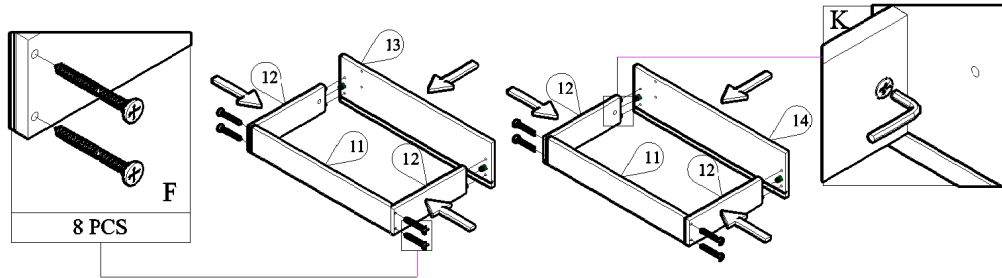
STEP 7



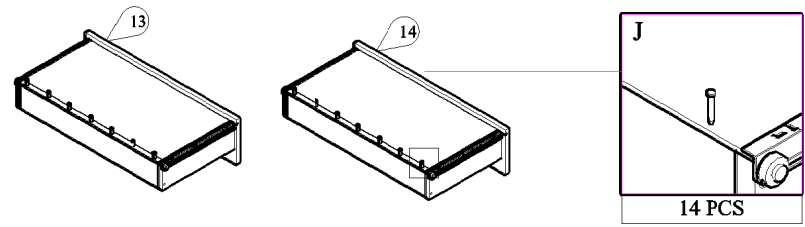
STEP 8



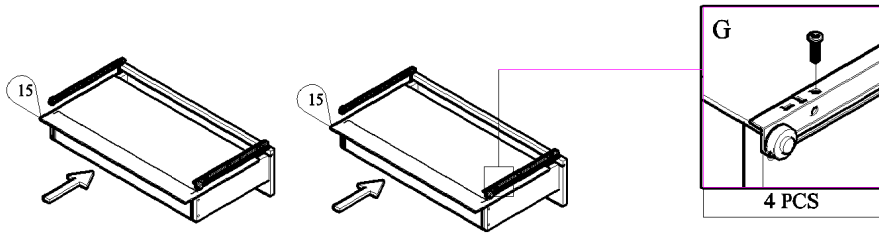
STEP 9



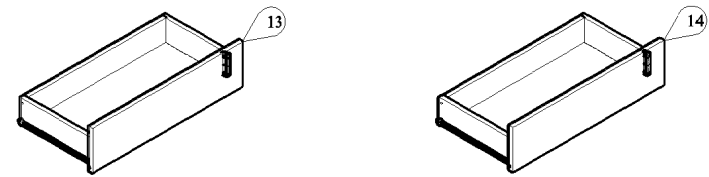
STEP 11



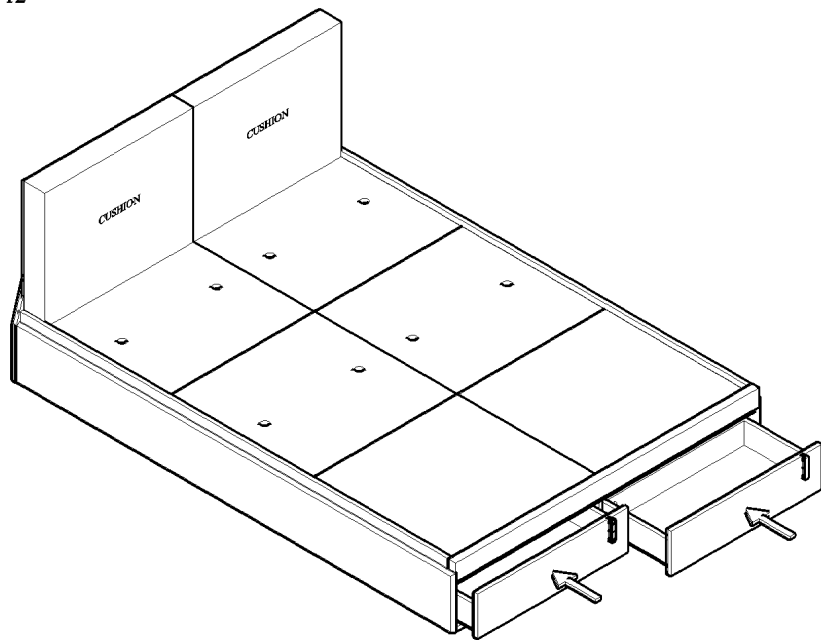
STEP 10



COMPLETED DRAWER



STEP 12



COMPLETED

