

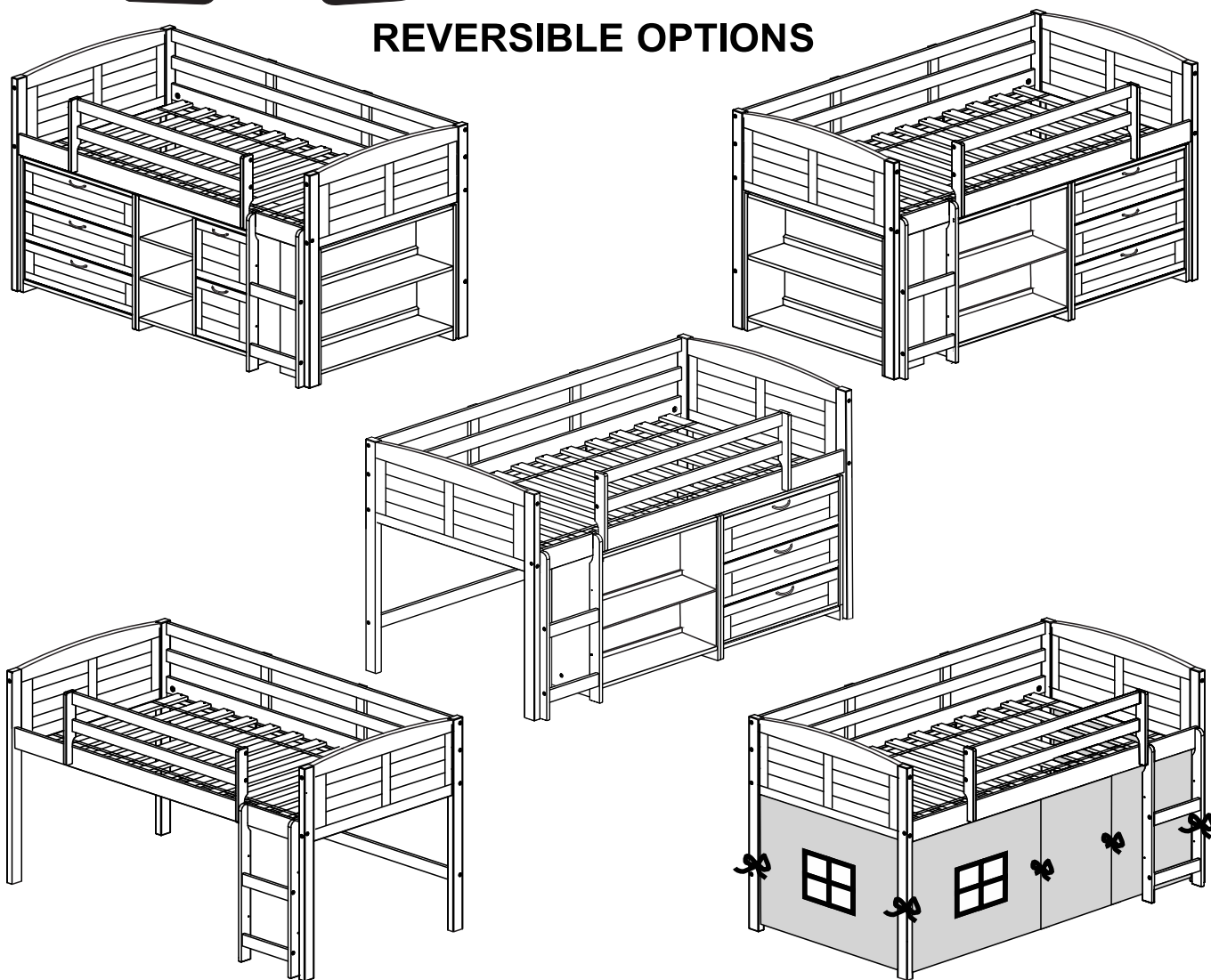


Fort Worth, Texas 76140

ASSEMBLY INSTRUCTIONS

790 LOW LOFT BED LOUVER

REVERSIBLE OPTIONS




OPTIONAL SETS (THE CASES ARE SOLD SEPARATE)

- 3 DRAWERS CHEST LOUVER
- 2 DRAWERS CHEST LOUVER
- SMALL BOOKCASE
- HEADBOARD BOOKCASE
- TENT KIT FABRIC

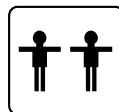
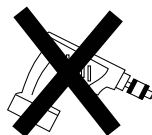
Thank you for purchasing this quality product. Be sure to check all packing material carefully for small parts which may have come loose inside the carton during shipment. Separate, identify and count all parts and hardware.

Compare with the parts list to be sure all parts are present.

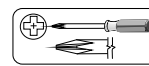
"DO NOT TIGHTEN SCREWS UNTIL COMPLETELY ASSEMBLED"



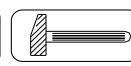
* Use of power tool to assemble this product will invalidate any claim and damage this product making unsafe !!!
 * Please assemble on a clean soft surface to avoid damage.



Tools Required



(Not included)

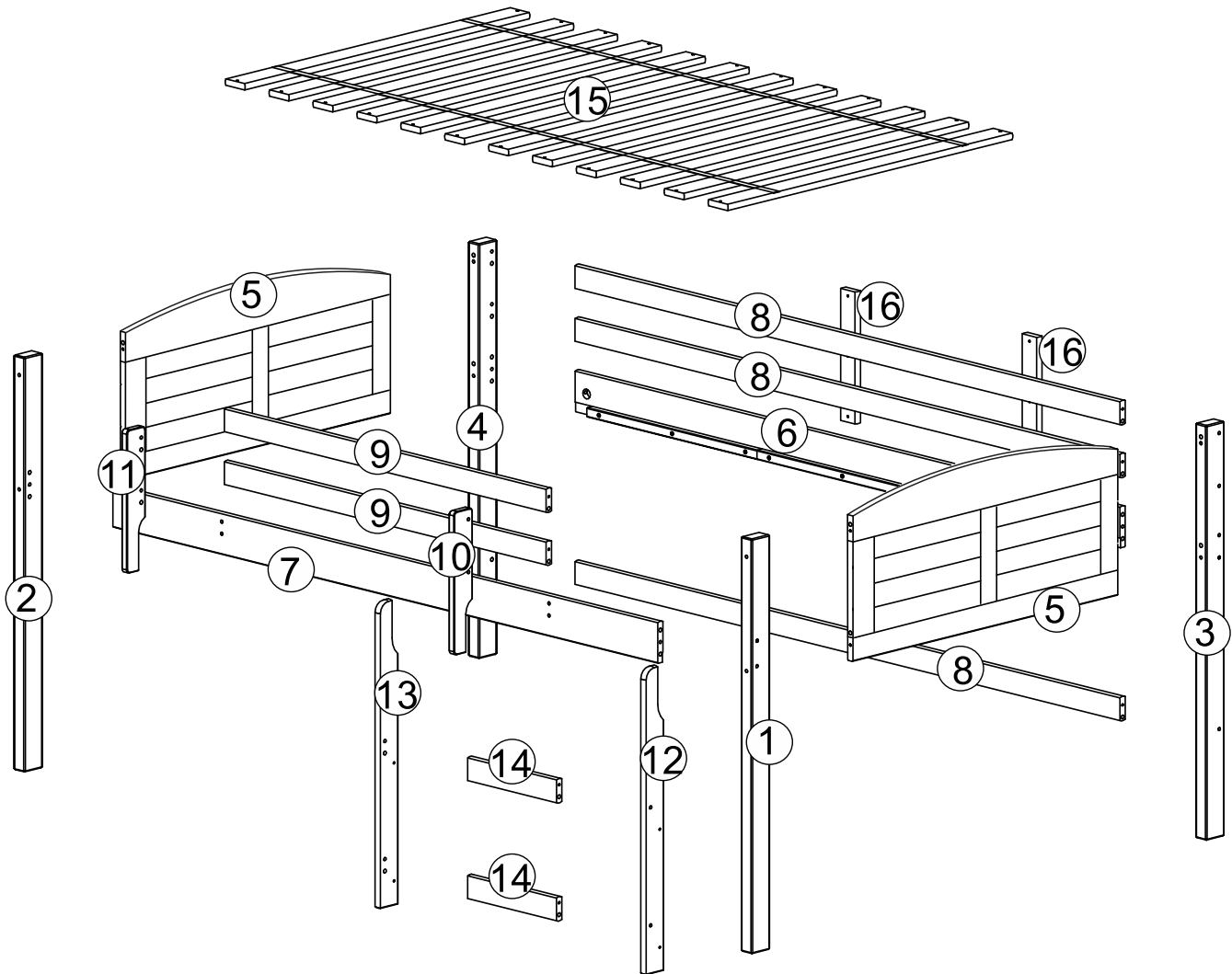


(Not included)

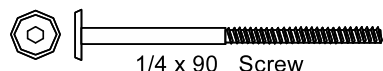
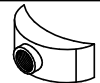
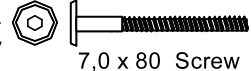
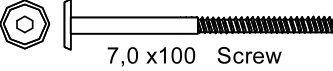

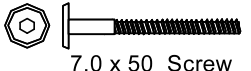
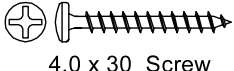
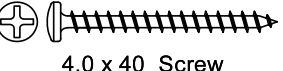
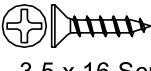
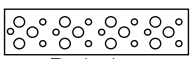


IMPORTANT:

PLEASE READ INSTRUCTION BEFORE STARTING THE ASSEMBLY

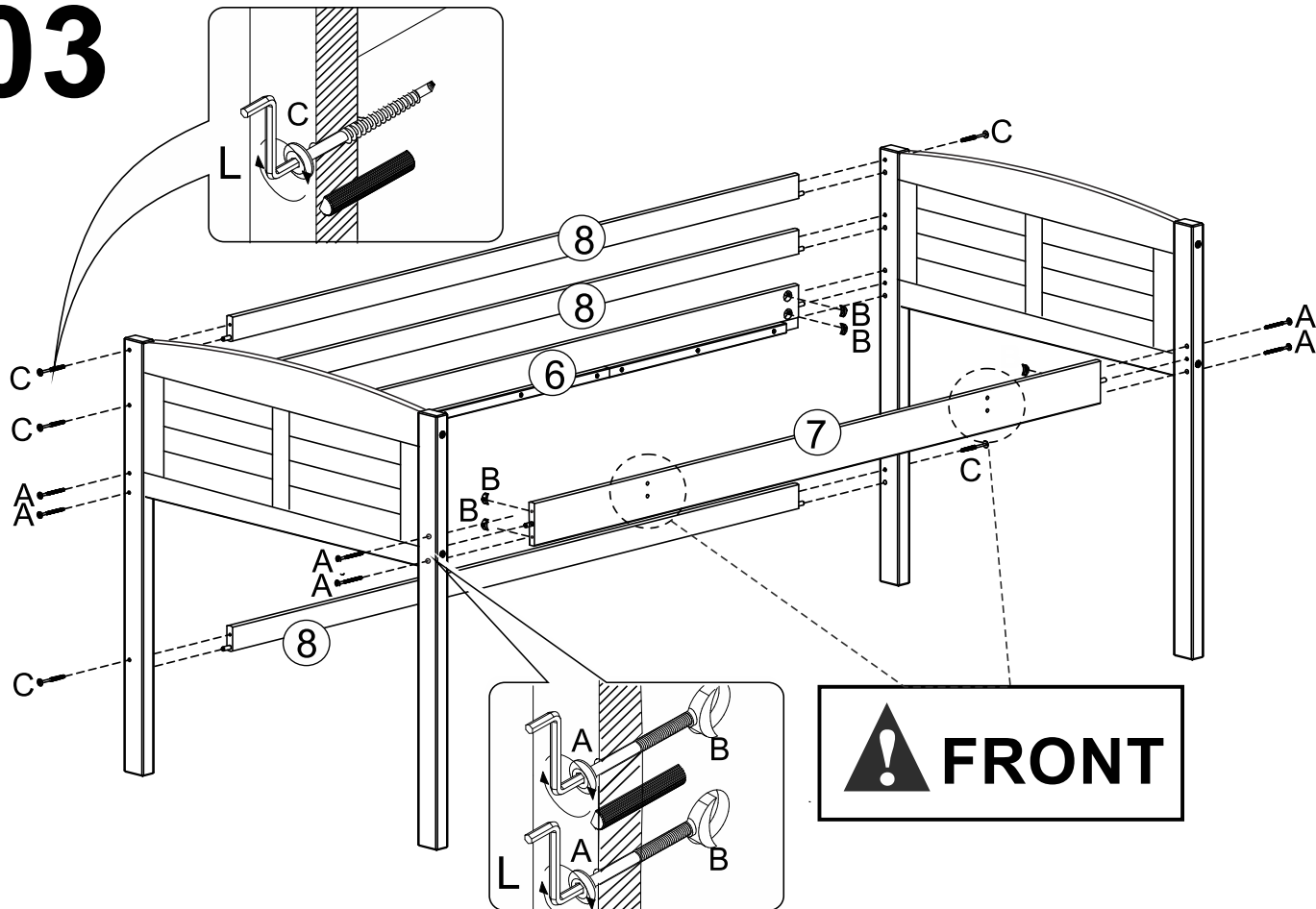
Part List - 790 LOW LOFT BED LOUVER

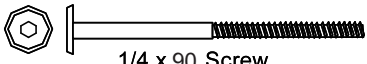



Identifying the Hardware-Identify the hardware using the illustrations below.

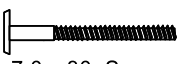
A  Qty 08 1/4 x 90 Screw	B  Qty 08 1/4" Half Moon	C  Qty 06 7,0 x 80 Screw
D  Qty 08 7,0 x 100 Screw	E  Qty 26 10 x 40 Wood Dowel	F  Qty 12 7,0 x 50 Screw
G  Qty 32 4,0 x 30 Screw	H  Qty 02 4,0 x 40 Screw	I  Qty 06 3,5 x 16 Screw
J  Qty 02 Protector	K  Qty 02 Hook Ladder	L  Qty 01 Hex Screwdriver

03



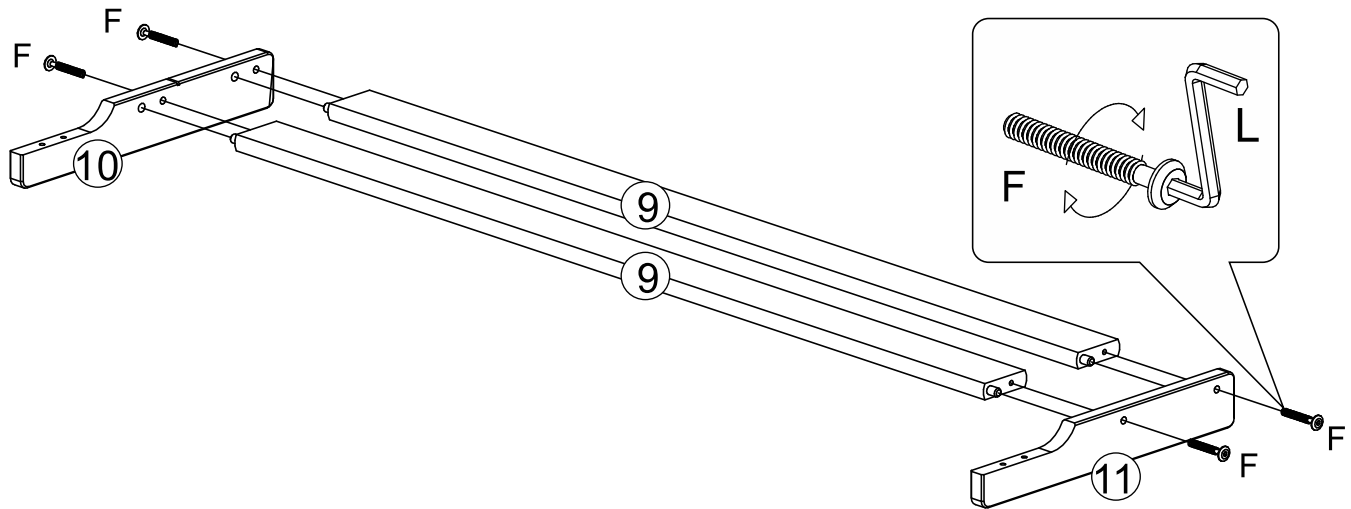
A  Qty **08**
1/4 x 90 Screw

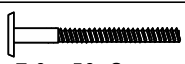
B  Qty **08**
1/4\"

C  Qty **06**
7,0 x 80 Screw

L  Qty **01**
Hex Screwdriver

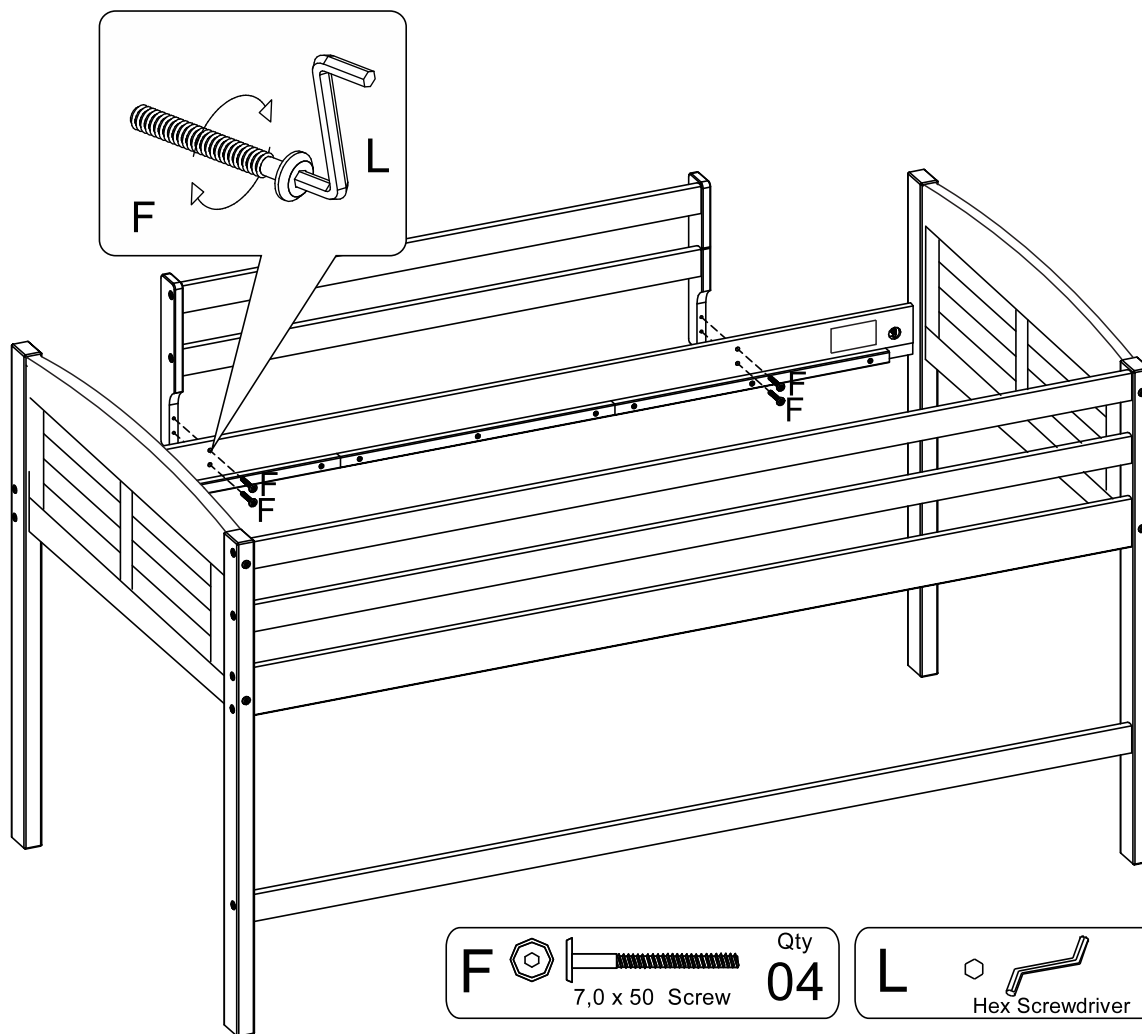
04


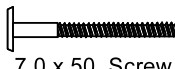



F  Qty **04**
7,0 x 50 Screw

L  Qty **01**
Hex Screwdriver

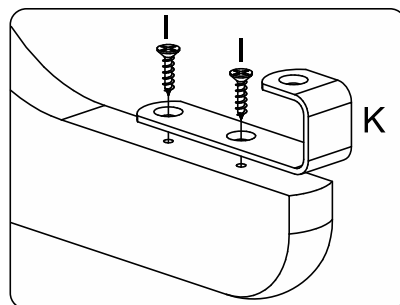
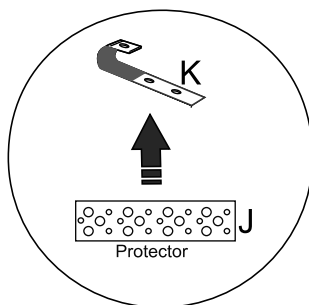
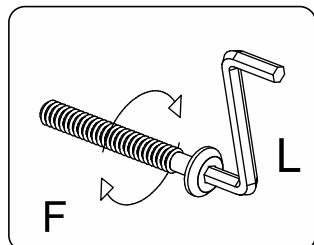
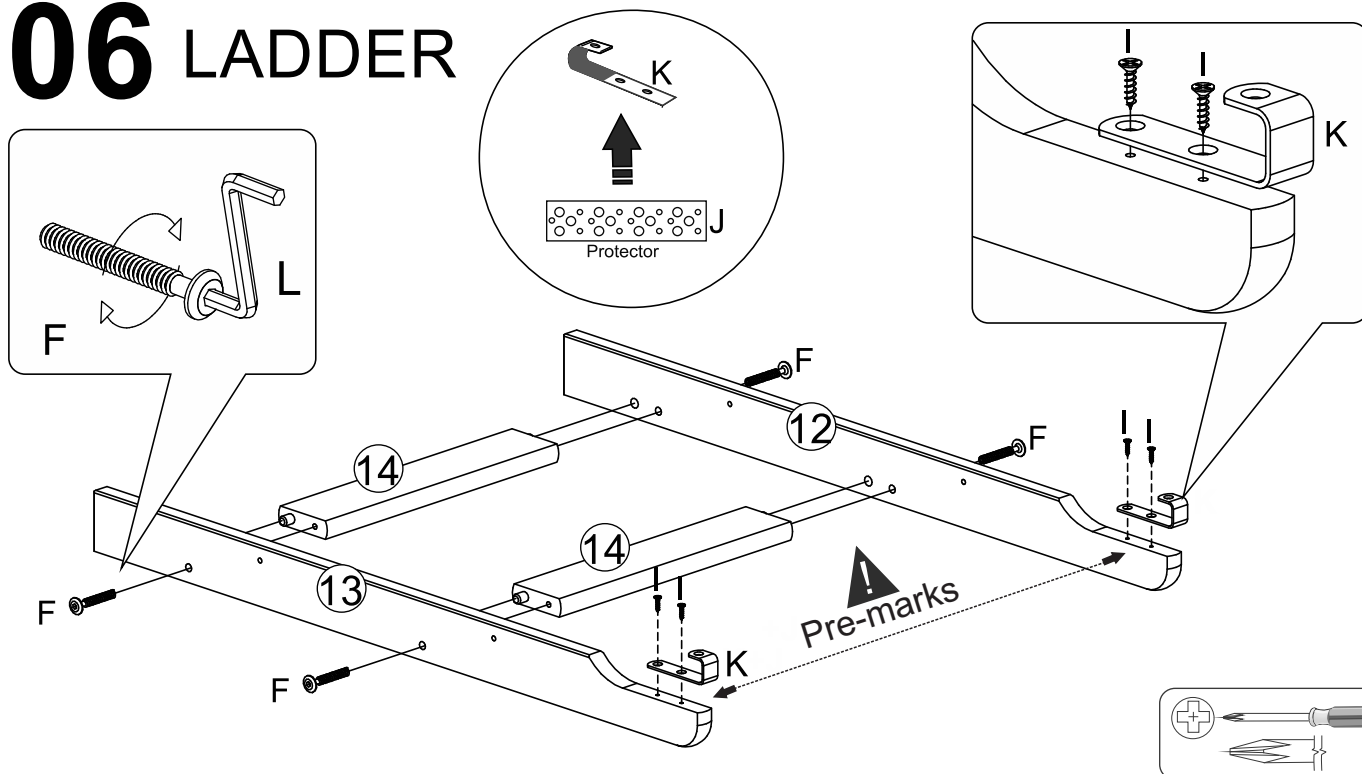
05

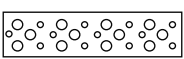




F   Qty **04**
7,0 x 50 Screw

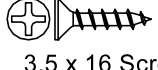
L  Qty **01**
Hex Screwdriver


06 LADDER



J  Qty **02**
Protector

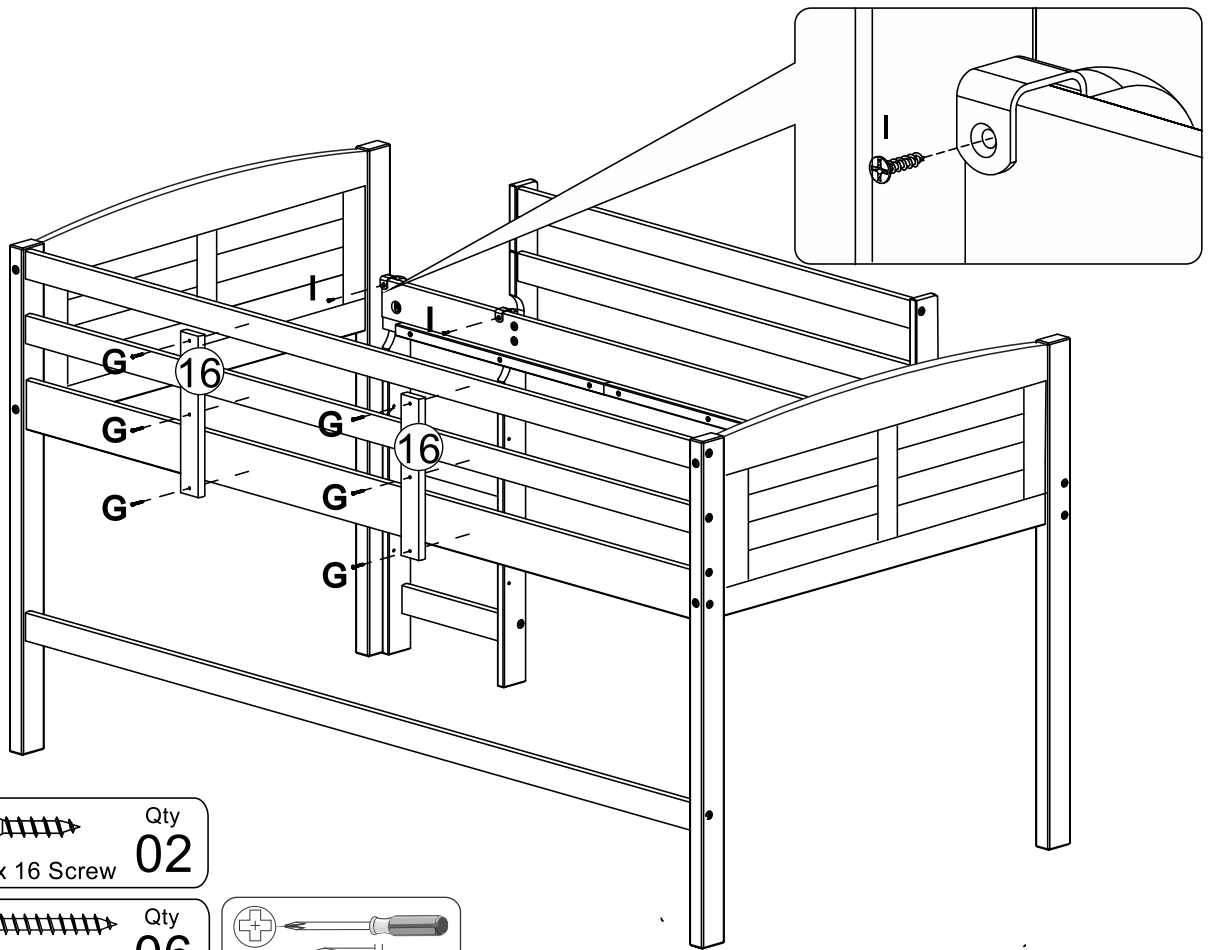
F   Qty **04**
7,0 x 50 Screw


I  Qty **04**
3,5 x 16 Screw

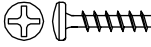
K  Qty **02**
Hook Ladder

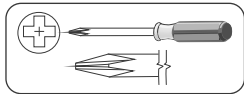
L  Qty **01**
Hex Screwdriver

07

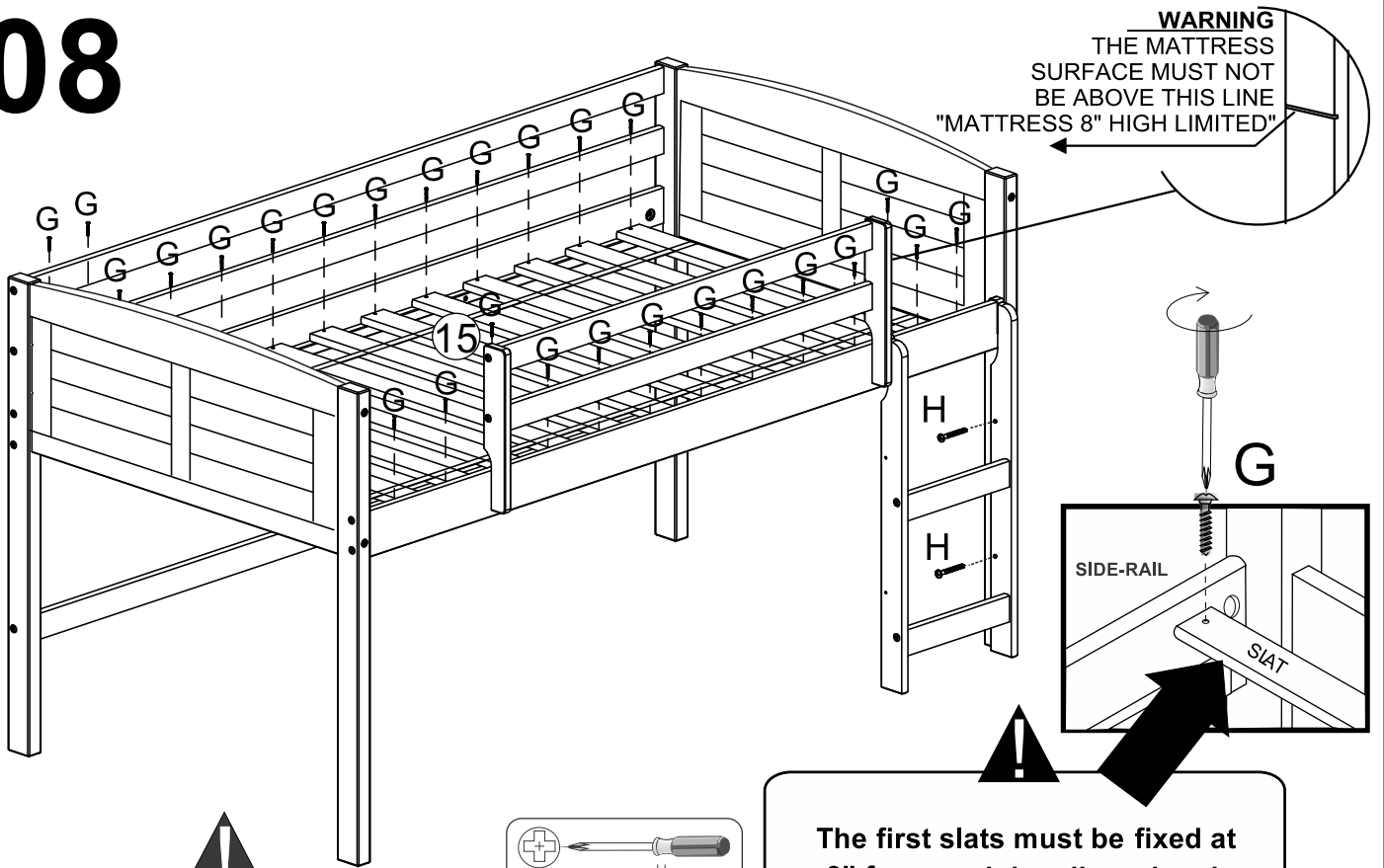


I  Qty **02**
3,5 x 16 Screw

G  Qty **06**
4,0 x 30 Screw

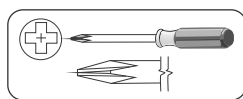


08

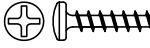



WARNING
THE MATTRESS SURFACE MUST NOT BE ABOVE THIS LINE
"MATTRESS 8" HIGH LIMITED"

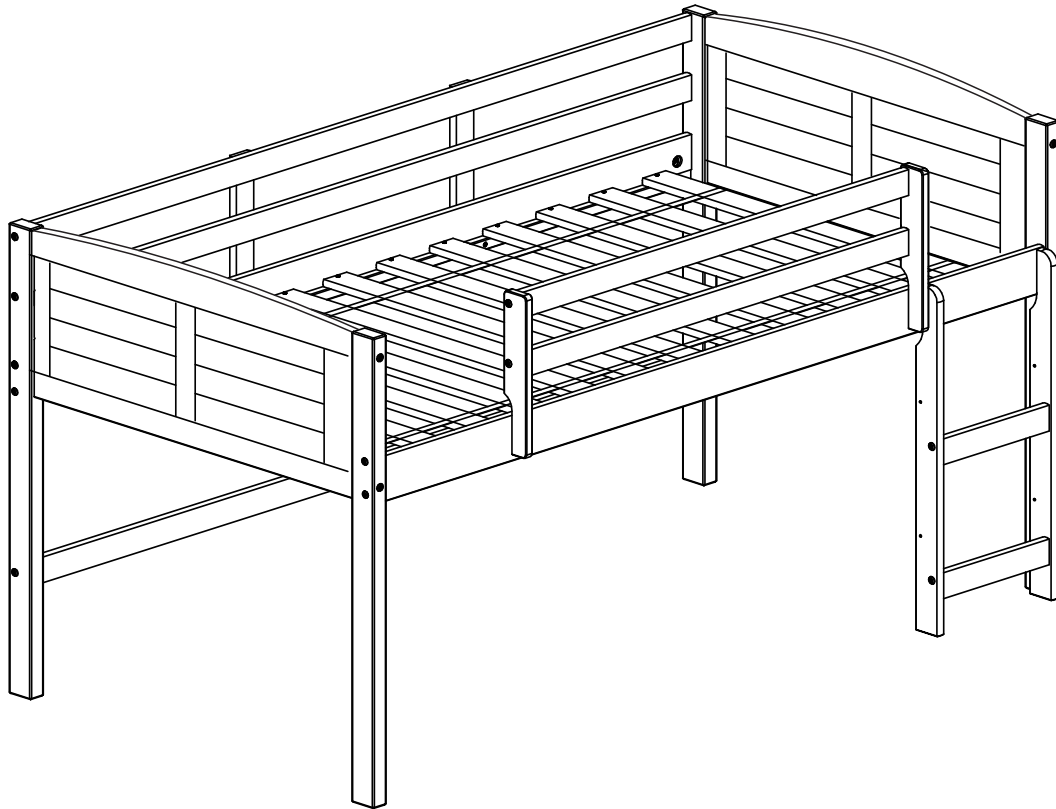
! "INSTALL SLAT KIT WITH SPACER TAPE ON TOP (FACING UP)"



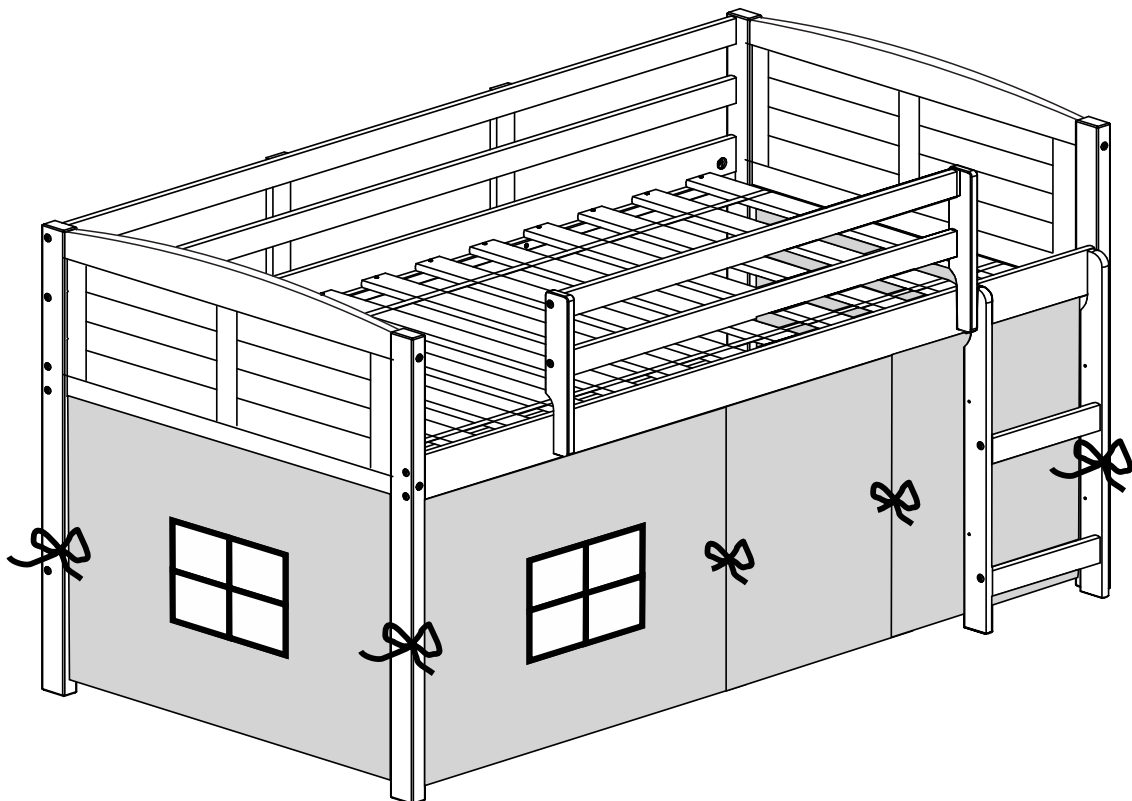
! The first slats must be fixed at 3" from each headboard end.

H  Qty **02**
4,0 x 40 Screw

G  Qty **26**
4,0 x 30 Screw

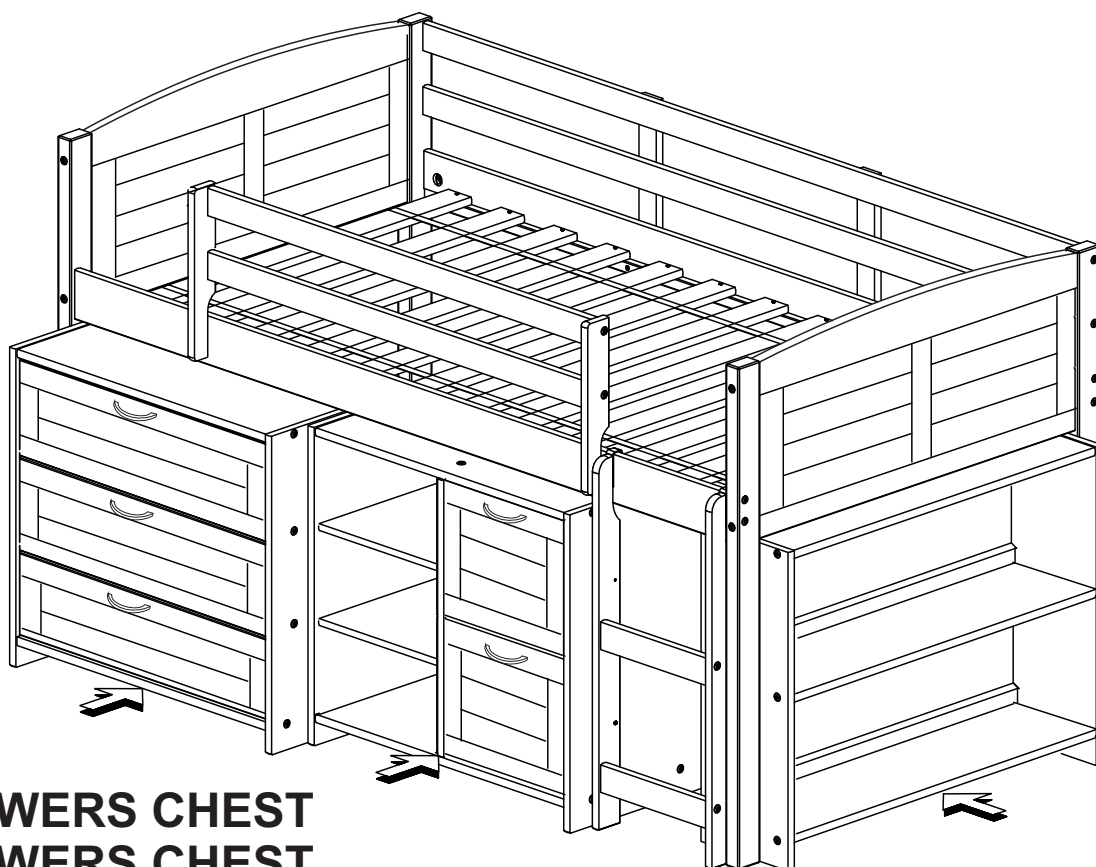


BED ONLY

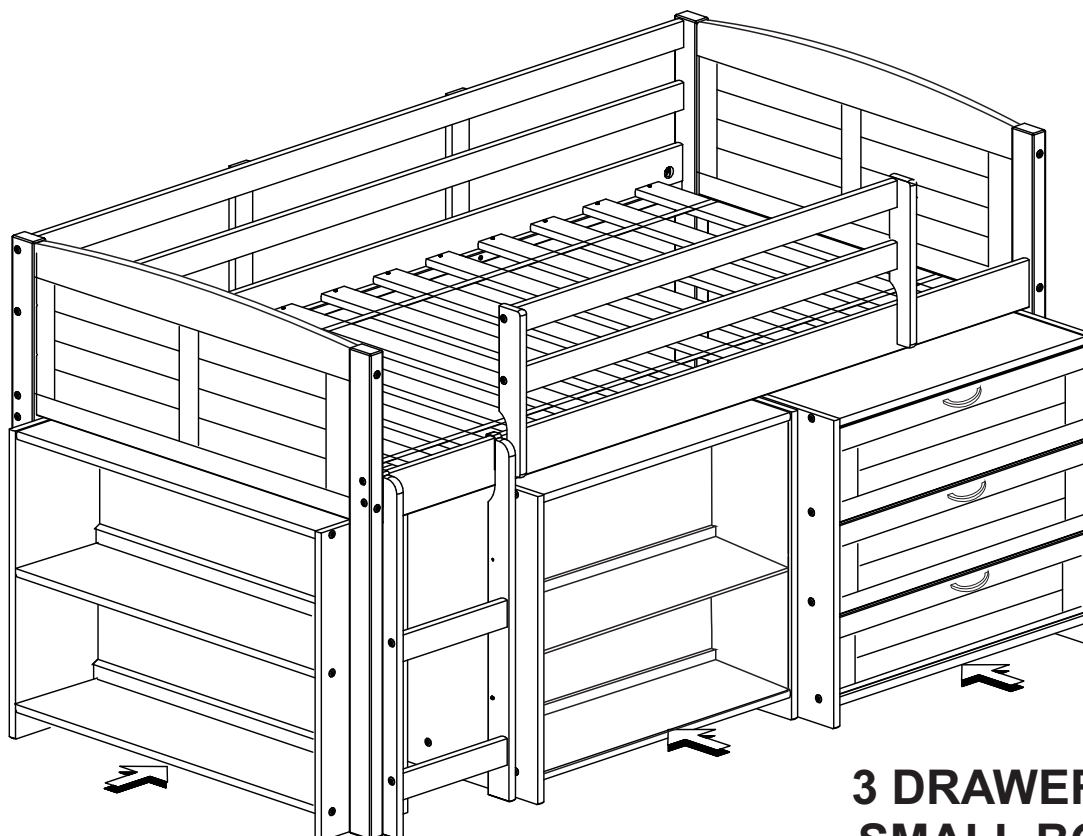


TENT SET FABRIC

OPTION COMPONENTS

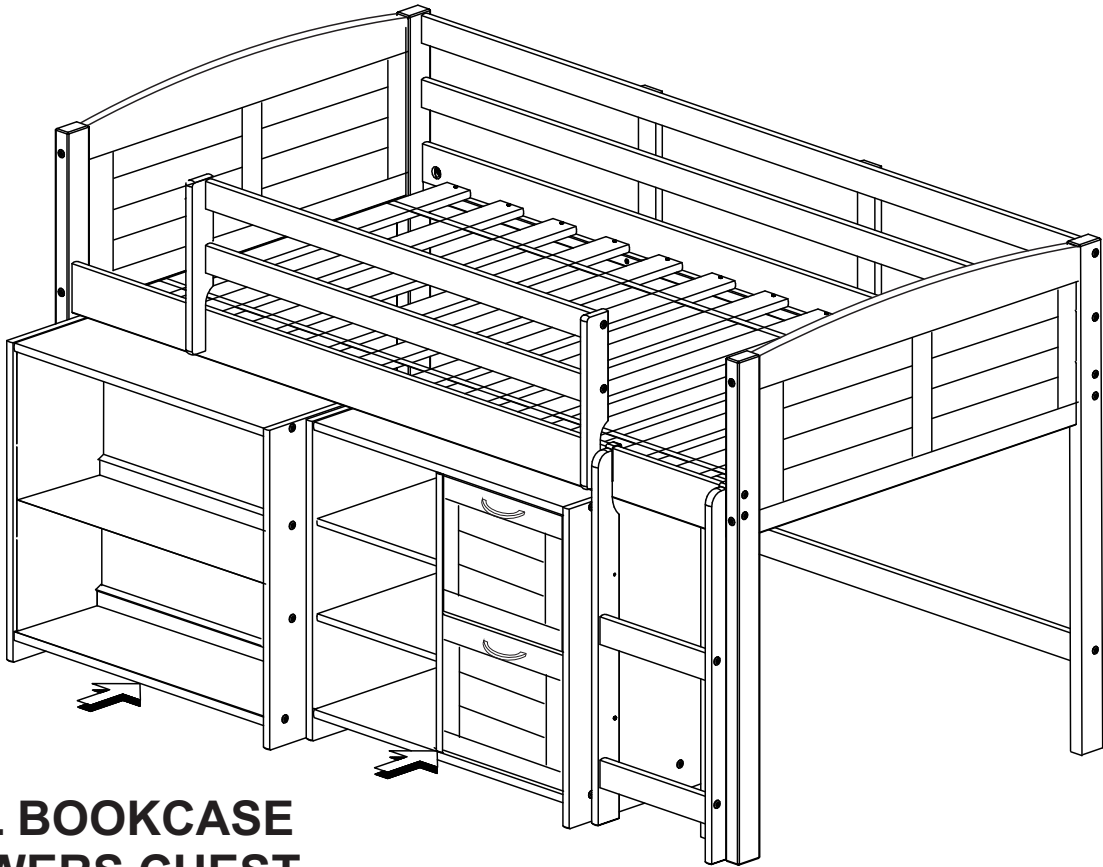


**3 DRAWERS CHEST
2 DRAWERS CHEST
HEADBOARD BOOKCASE**

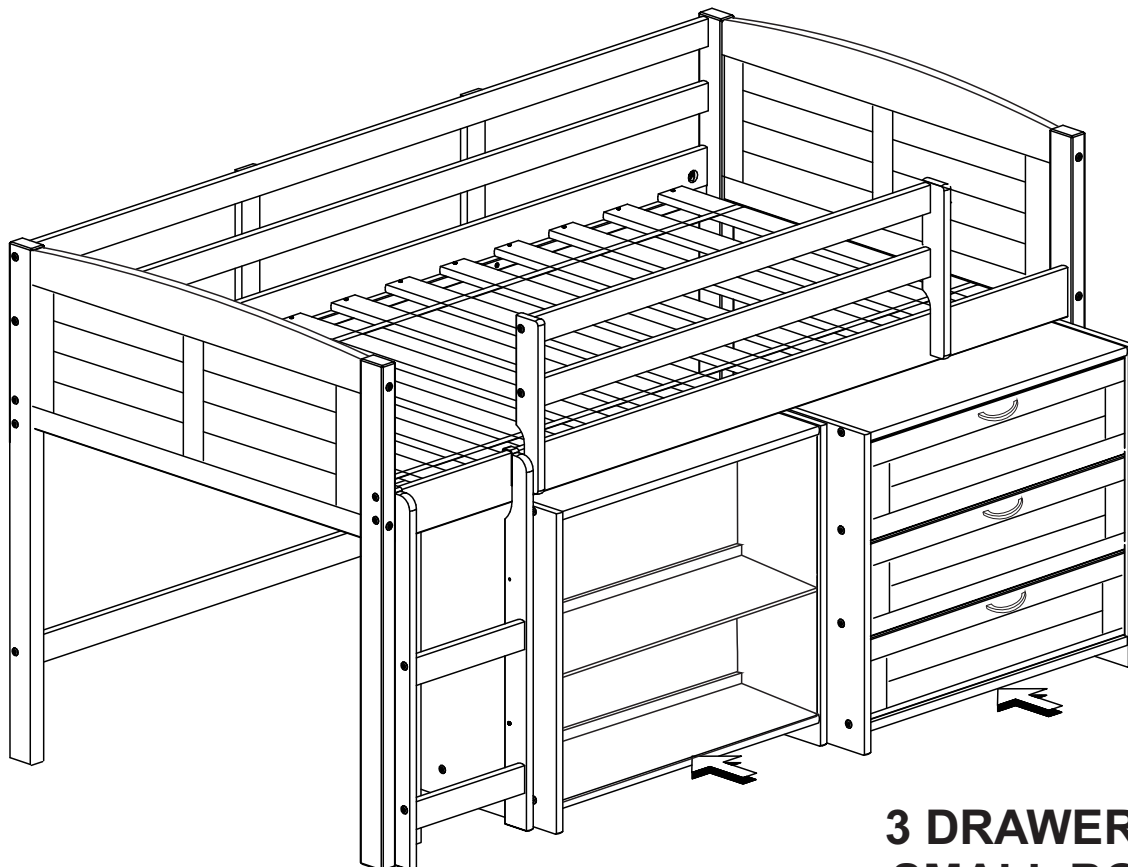


**3 DRAWERS CHEST
SMALL BOOKCASE
HEADBOARD BOOKCASE**

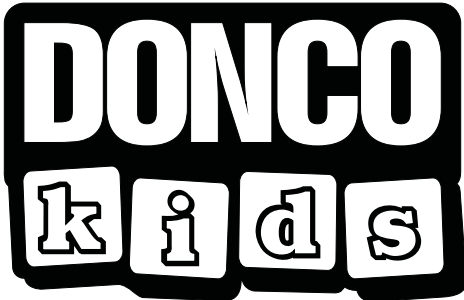
OPTION COMPONENTS



**SMALL BOOKCASE
2 DRAWERS CHEST**



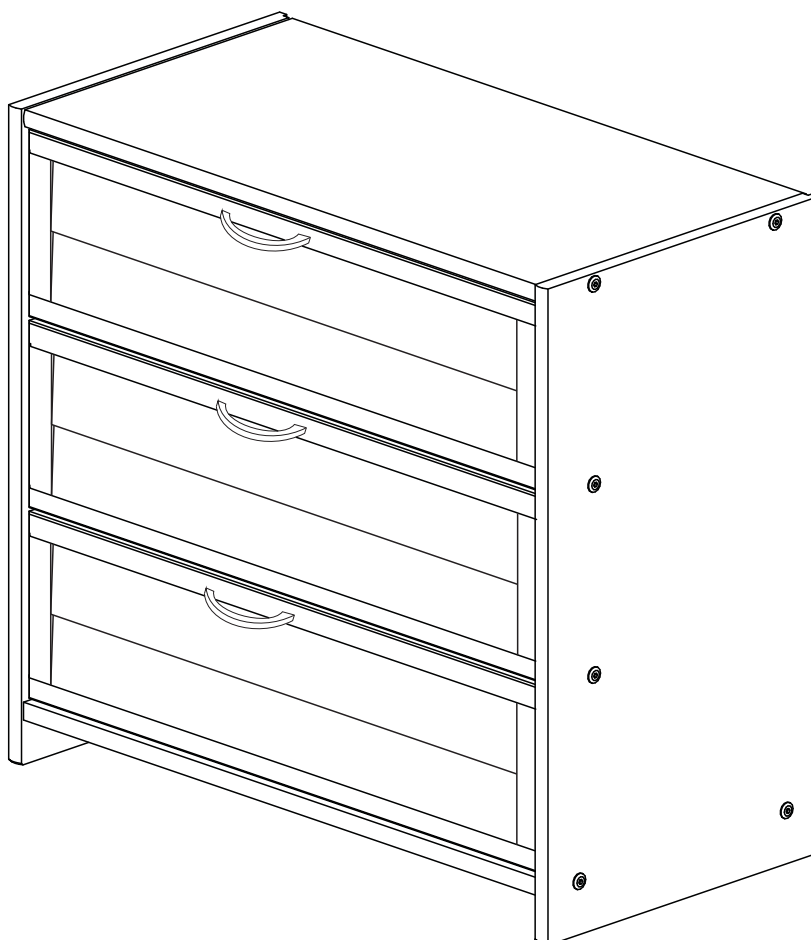
**3 DRAWERS CHEST
SMALL BOOKCASE**



Fort Worth, Texas 76140

ASSEMBLY INSTRUCTIONS

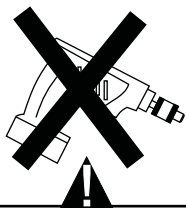
790 3 DRAWERS CHESTLOUVER



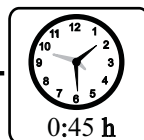
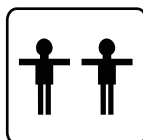
Thank you for purchasing this quality product. Be sure to check all packing material carefully for small parts which may have come loose inside the carton during shipment. Separate, identify and count all parts and hardware.

Compare with the parts list to be sure all parts are present.

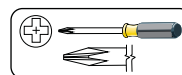
"DO NOT TIGHTEN SCREWS UNTIL COMPLETELY ASSEMBLED"



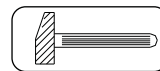
* Use of power tool to assemble this product will invalidate any claim and damage this product making unsafe !!!
* Please assemble on a clean soft surface to avoid damage.



Tools Required



(Not included)

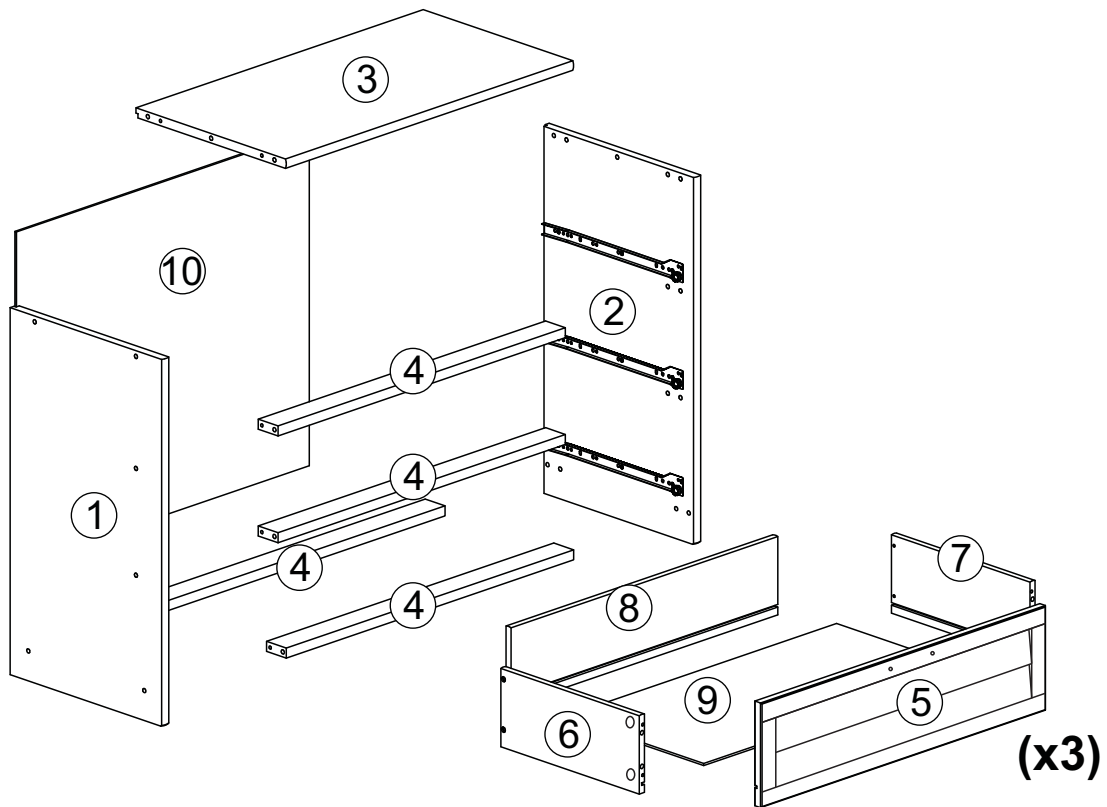


(Not included)

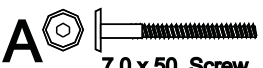
IMPORTANT:

PLEASE READ INSTRUCTION BEFORE STARTING THE ASSEMBLY

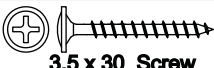
Part List - 790 3 DRAWERS CHEST LOUVER




Identifying the Hardware-Identify the hardware using the illustrations below.

A  Qty **12**
7,0 x 50 Screw

B  Qty **26**
8 x 30 Wood Dowel

C  Qty **24**
3,5 x 30 Screw

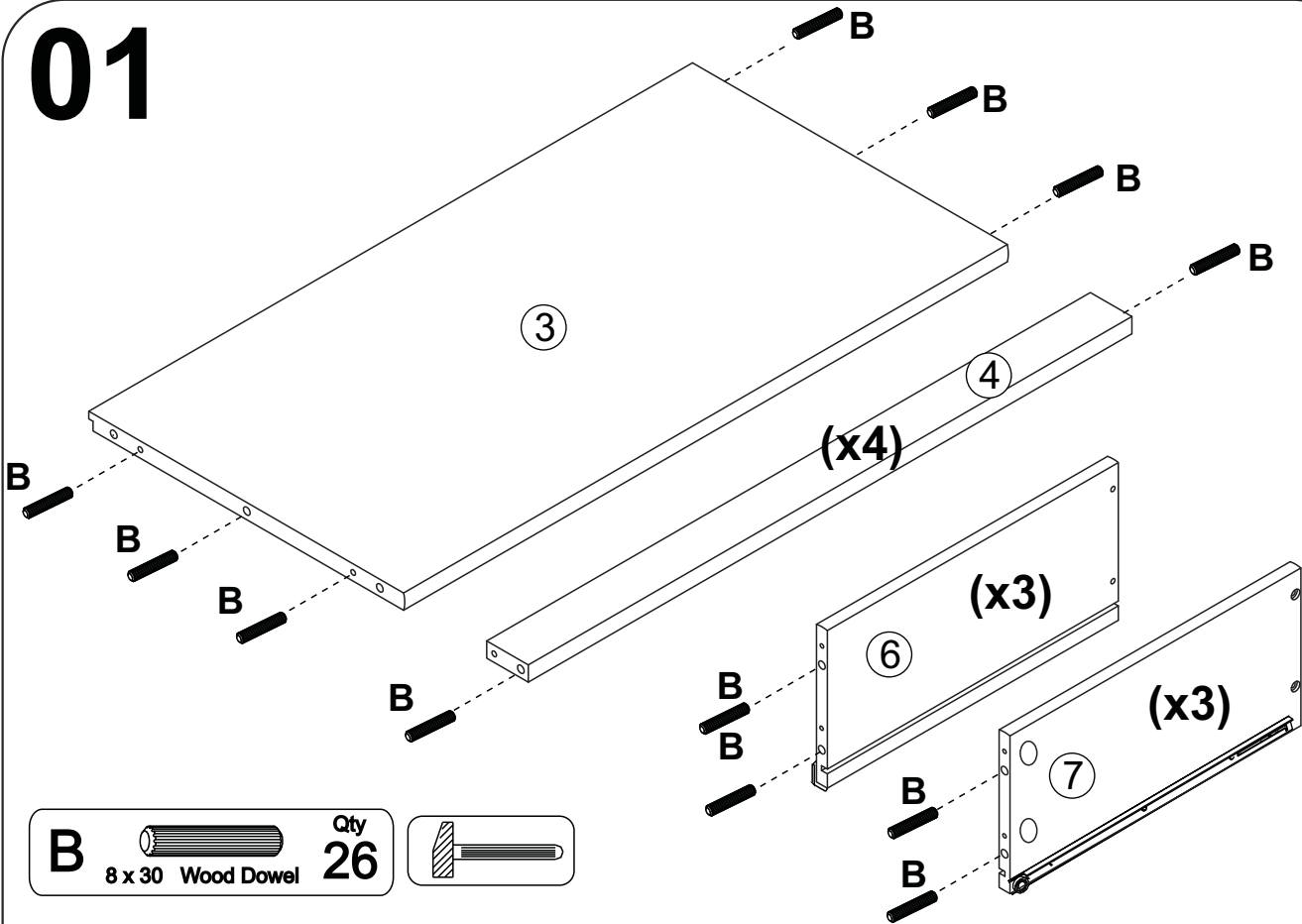
D  Qty **20**
10 x 10

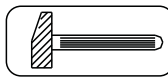
E  Qty **01**
Hex Screwdriver

F  Qty **03**
Metal Knob

G  Qty **06**
M4X25 Screw

01



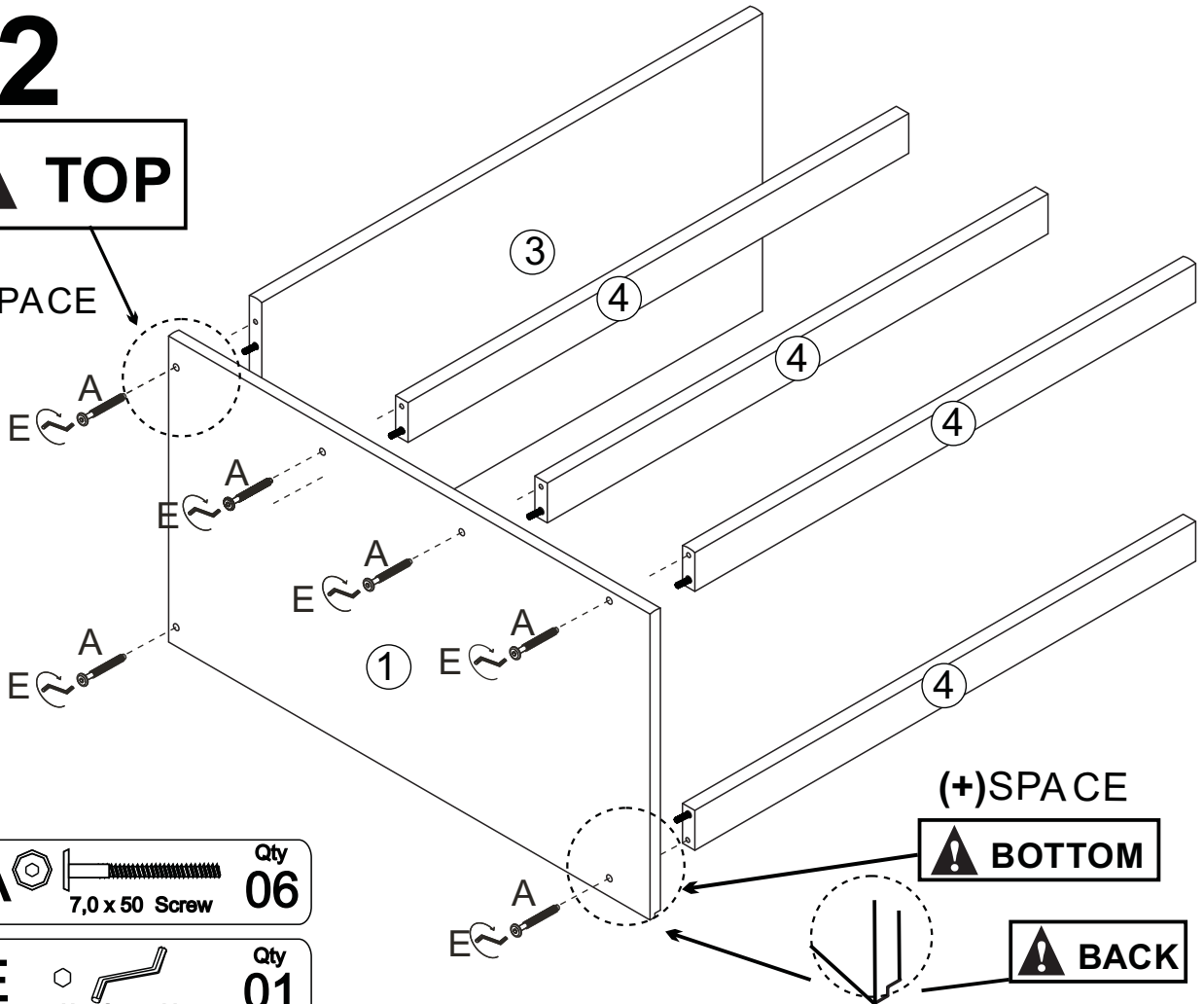
B  Qty **26** 


8 x 30 Wood Dowel

02

 **TOP**

(-) SPACE



A  Qty **06**

7,0 x 50 Screw

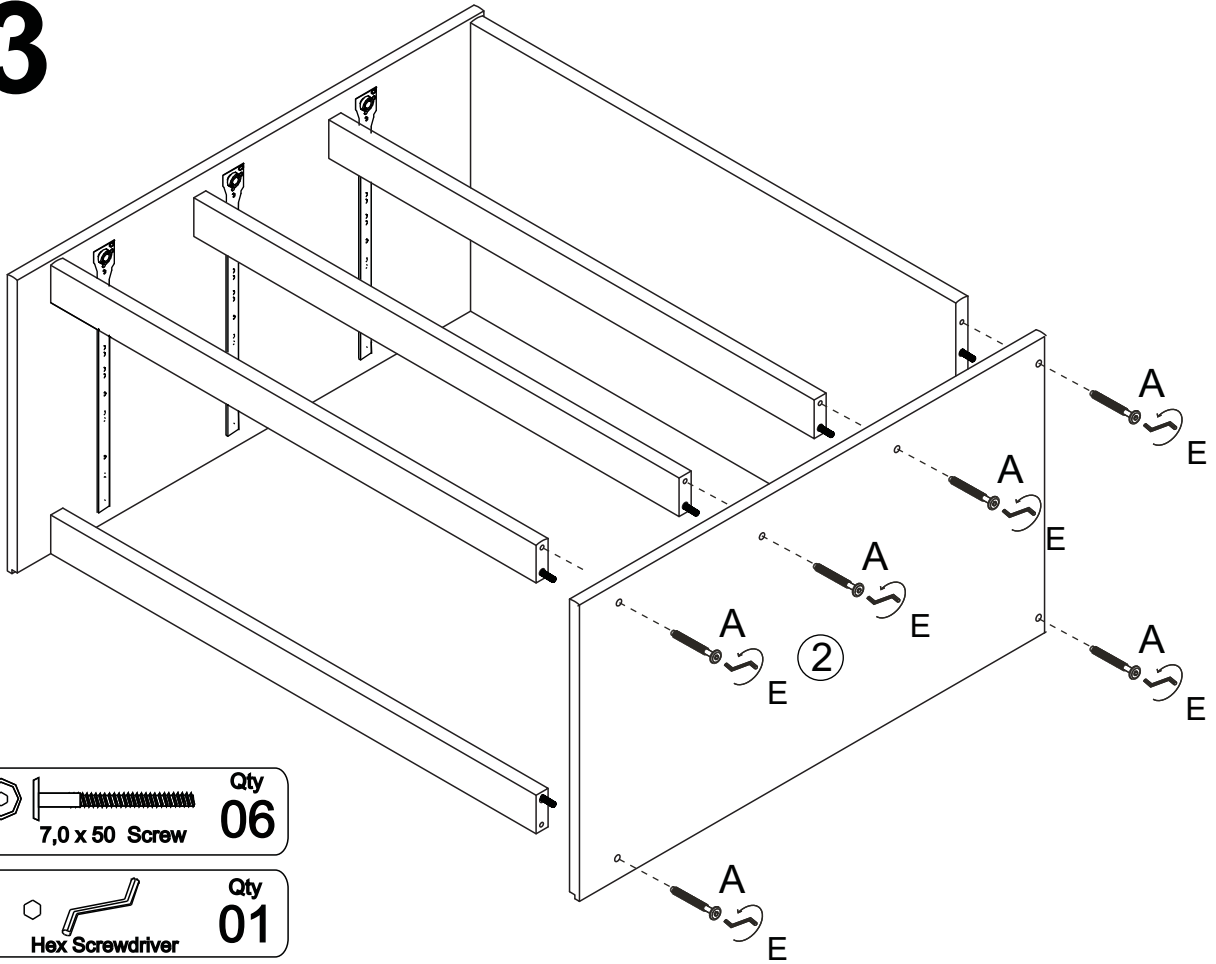
E  Qty **01**

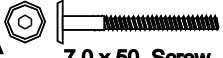

Hex Screwdriver

(+)SPACE
 **BOTTOM**

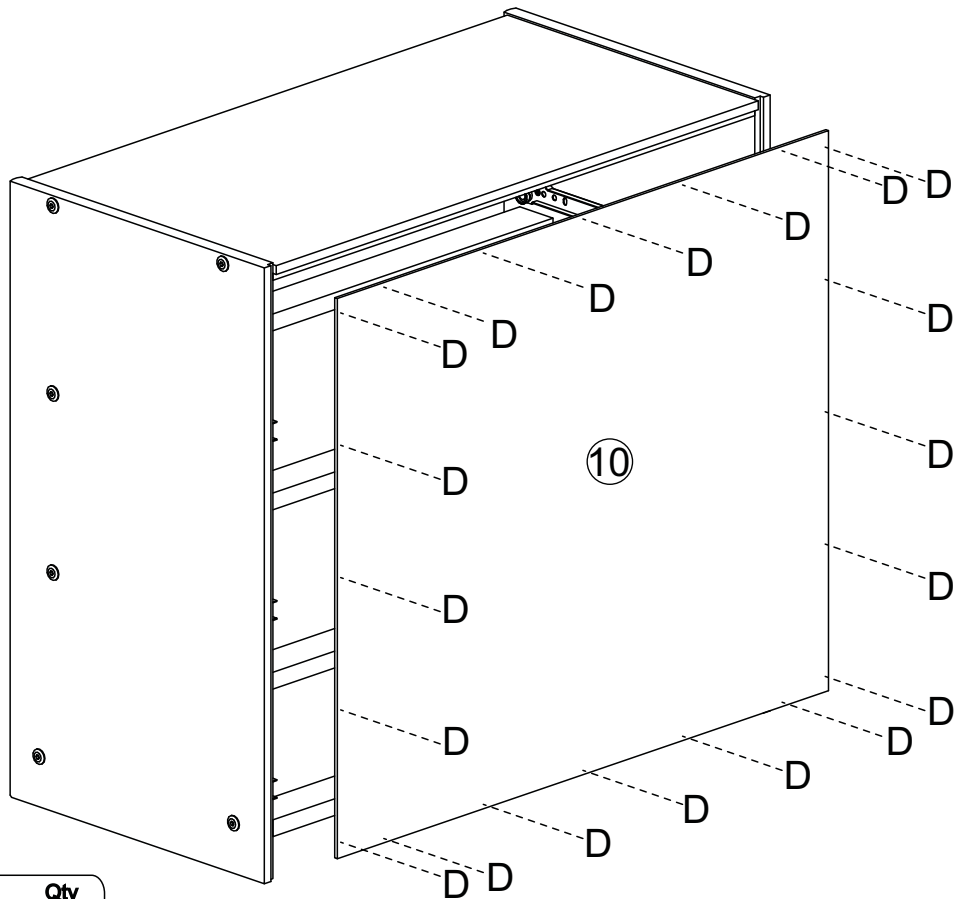
 **BACK**


03



- A**  Qty **06**
7,0 x 50 Screw
- E**  Qty **01**
Hex Screwdriver

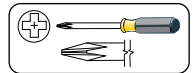
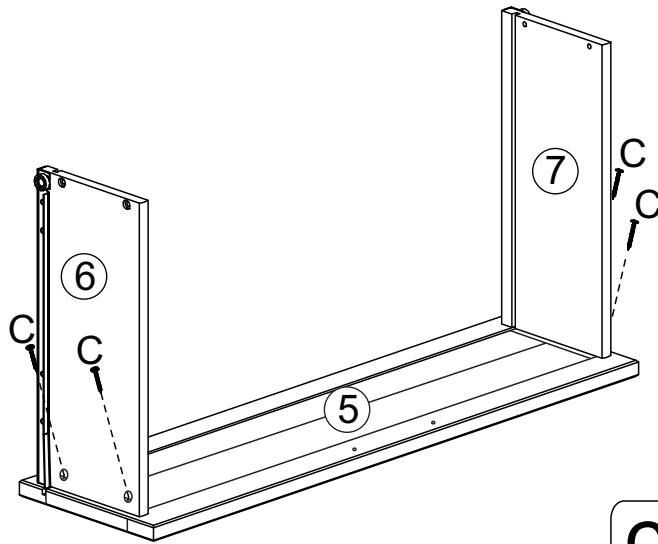
04



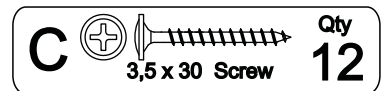
- D**  Qty **20**
10 x 10

05

(x3)

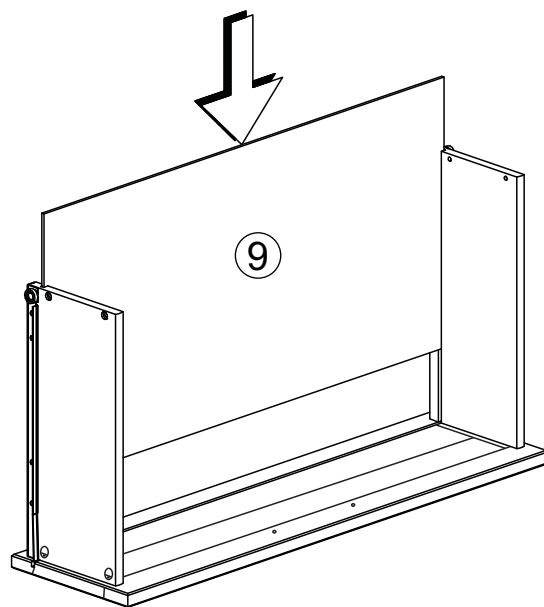


(Not included)



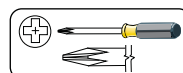
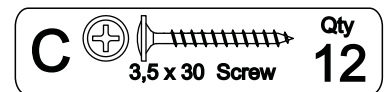
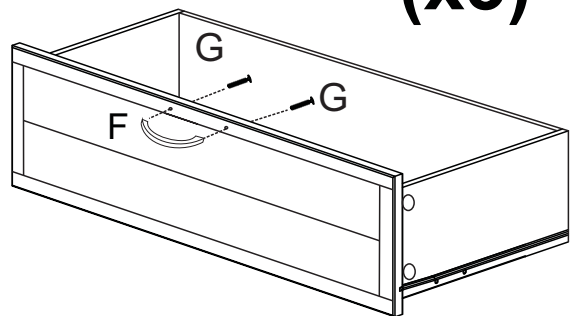
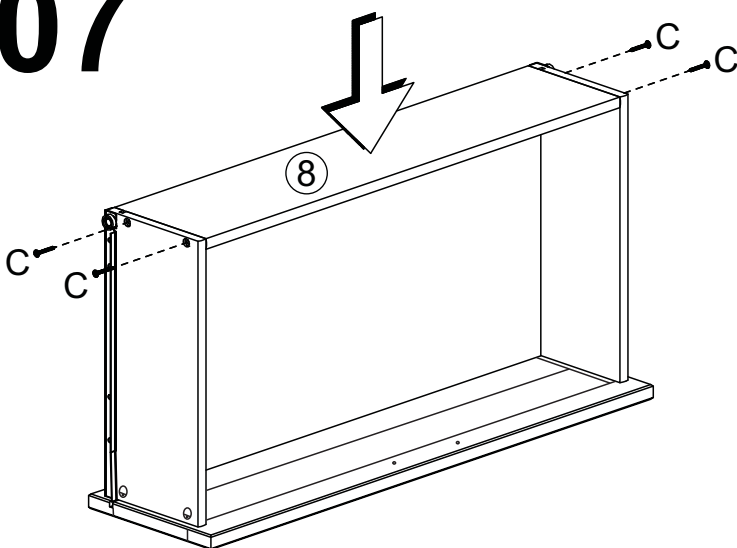
06

(x3)

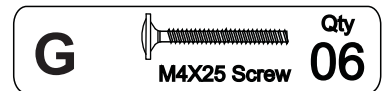


07

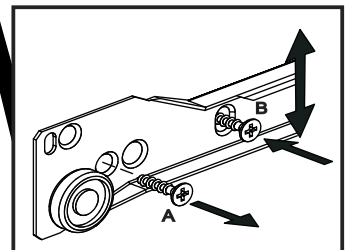
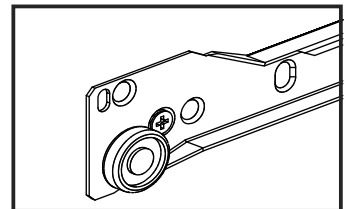
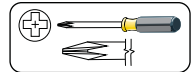
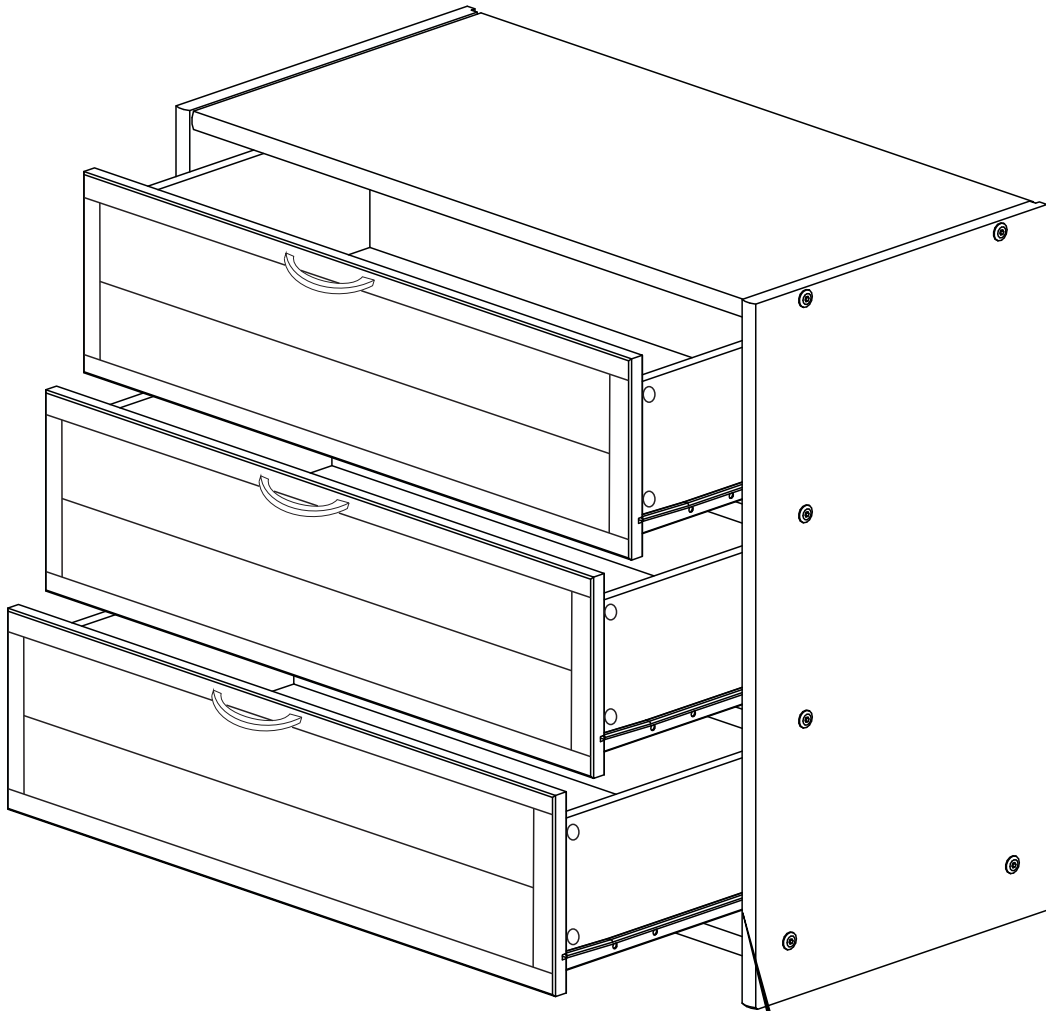
(x3)



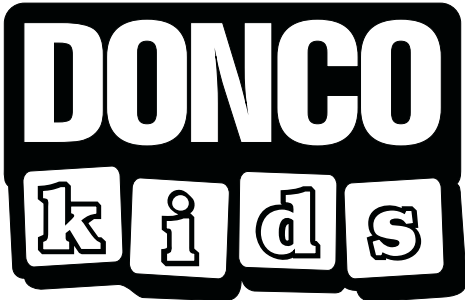
(Not included)



08



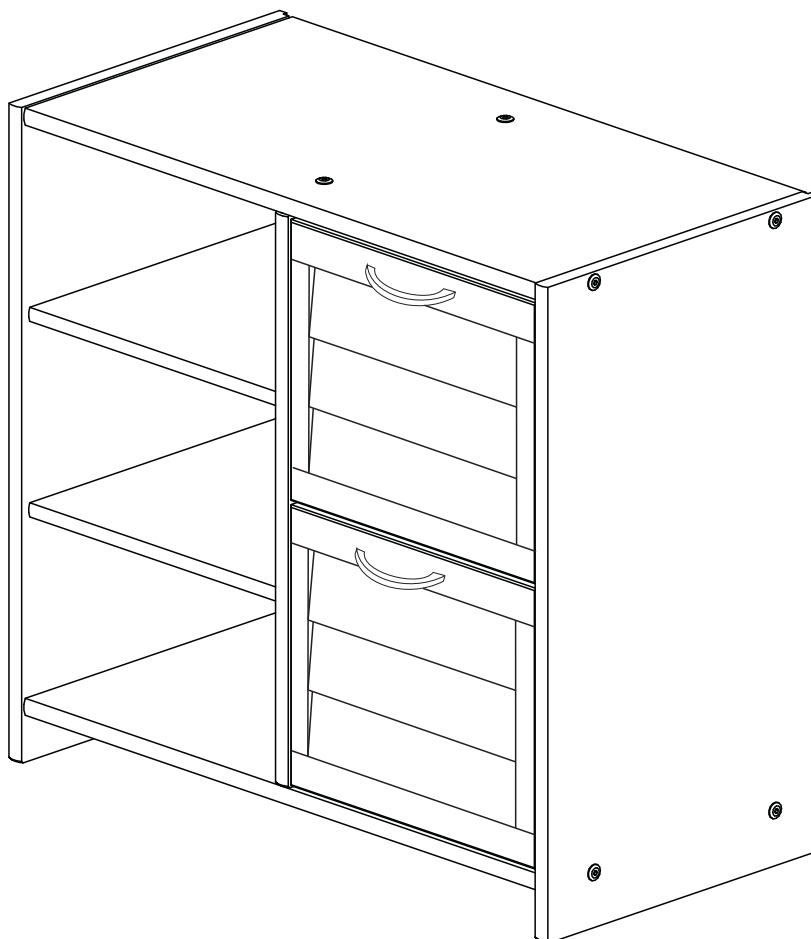
Please remove screw "A" and fix on "B" if necessary to adjust the slide, moving up or down.



Fort Worth, Texas 76140

ASSEMBLY INSTRUCTIONS

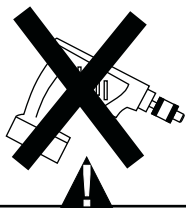
790 2 DRAWERS CHEST LOUVER



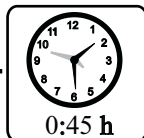
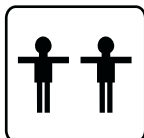
Thank you for purchasing this quality product. Be sure to check all packing material carefully for small parts which may have come loose inside the carton during shipment. Separate, identify and count all parts and hardware.

Compare with the parts list to be sure all parts are present.

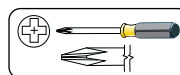
"DO NOT TIGHTEN SCREWS UNTIL COMPLETELY ASSEMBLED"



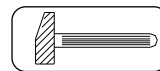
* Use of power tool to assemble this product will invalidate any claim and damage this product making unsafe !!!
* Please assemble on a clean soft surface to avoid damage.



Tools Required



(Not included)

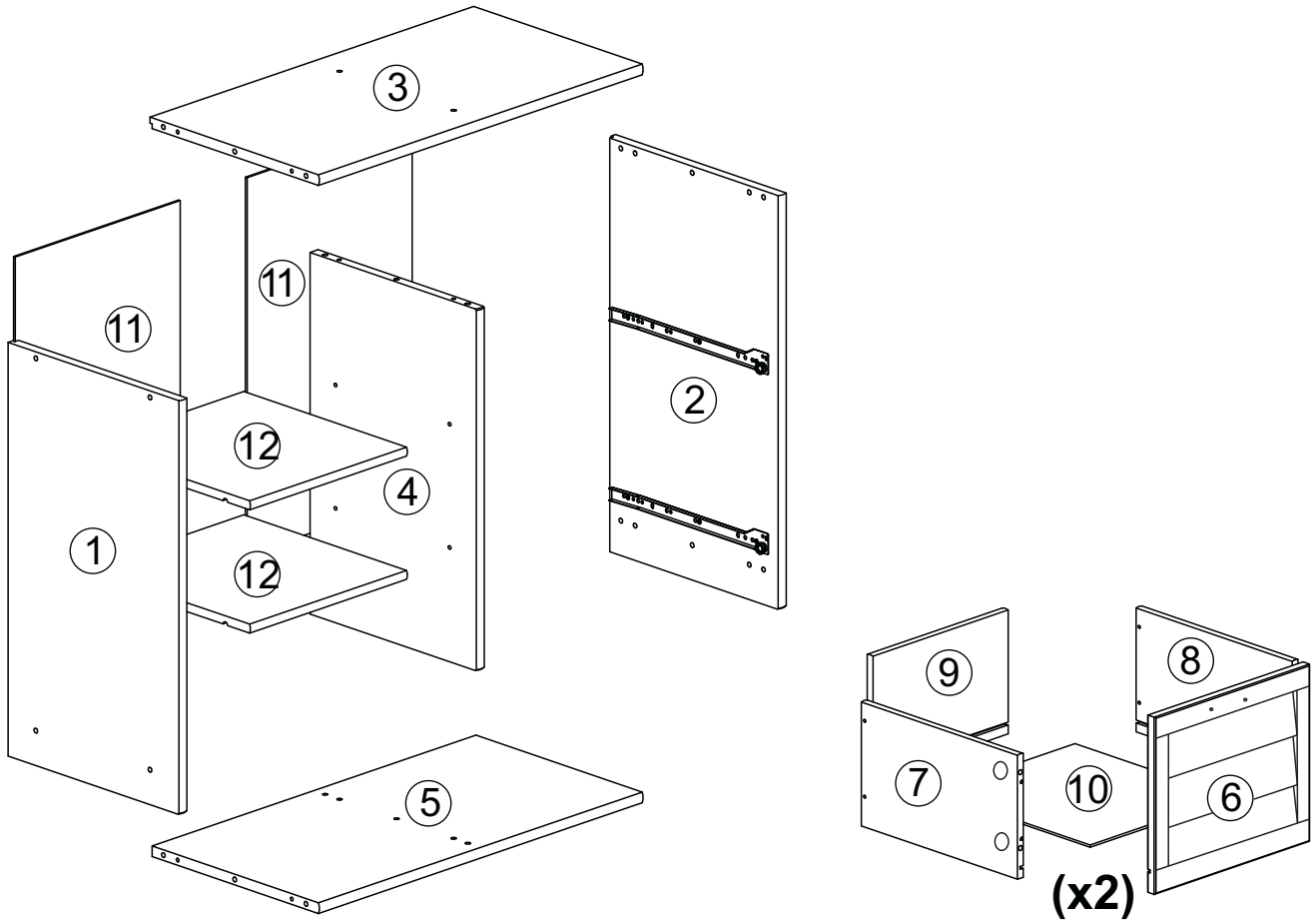


(Not included)

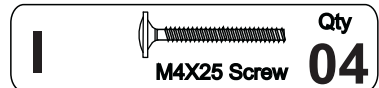
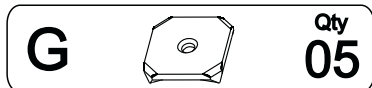
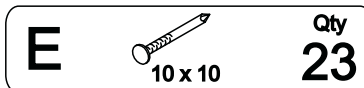
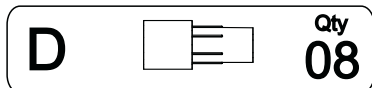
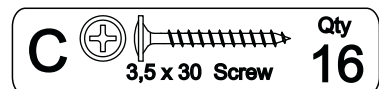
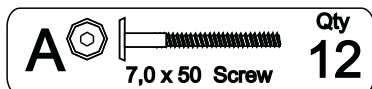
IMPORTANT:

PLEASE READ INSTRUCTION BEFORE STARTING THE ASSEMBLY

Part List - 790 2 DRAWERS CHEST LOUVER

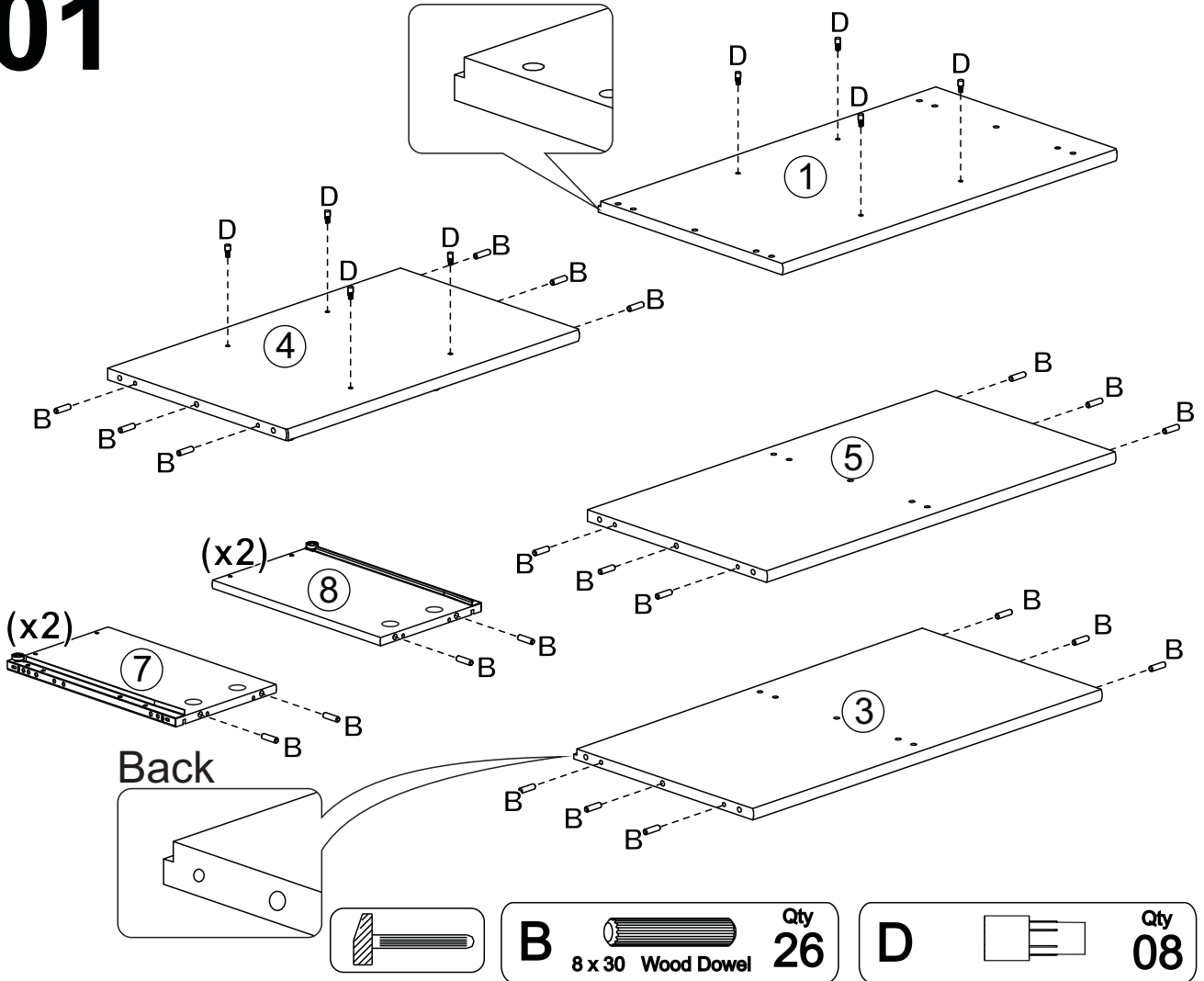


Identifying the Hardware-Identify the hardware using the illustrations below.

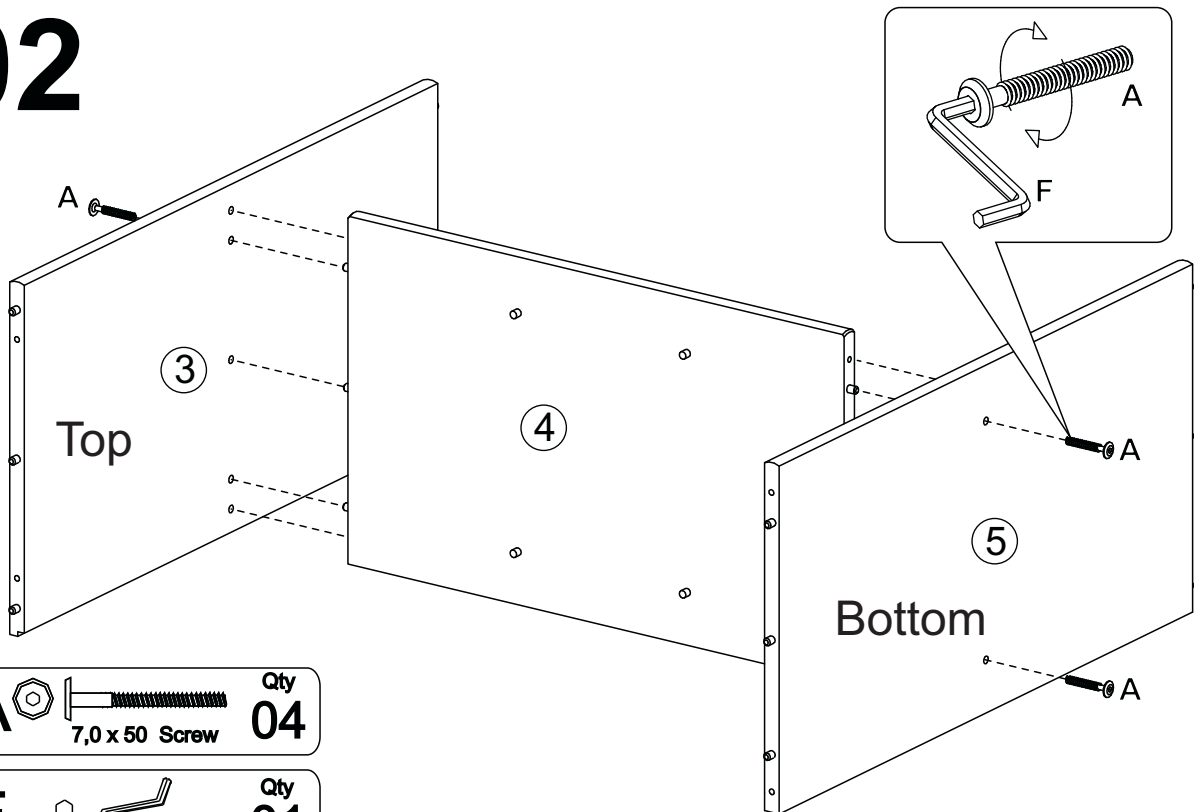


01

Back



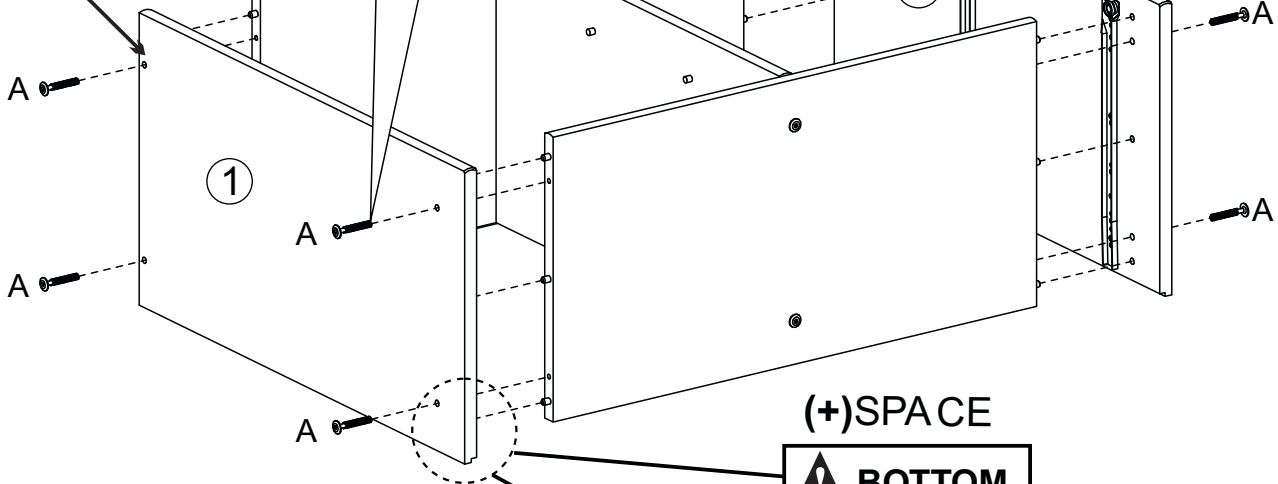
02




03

TOP

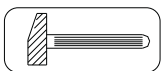
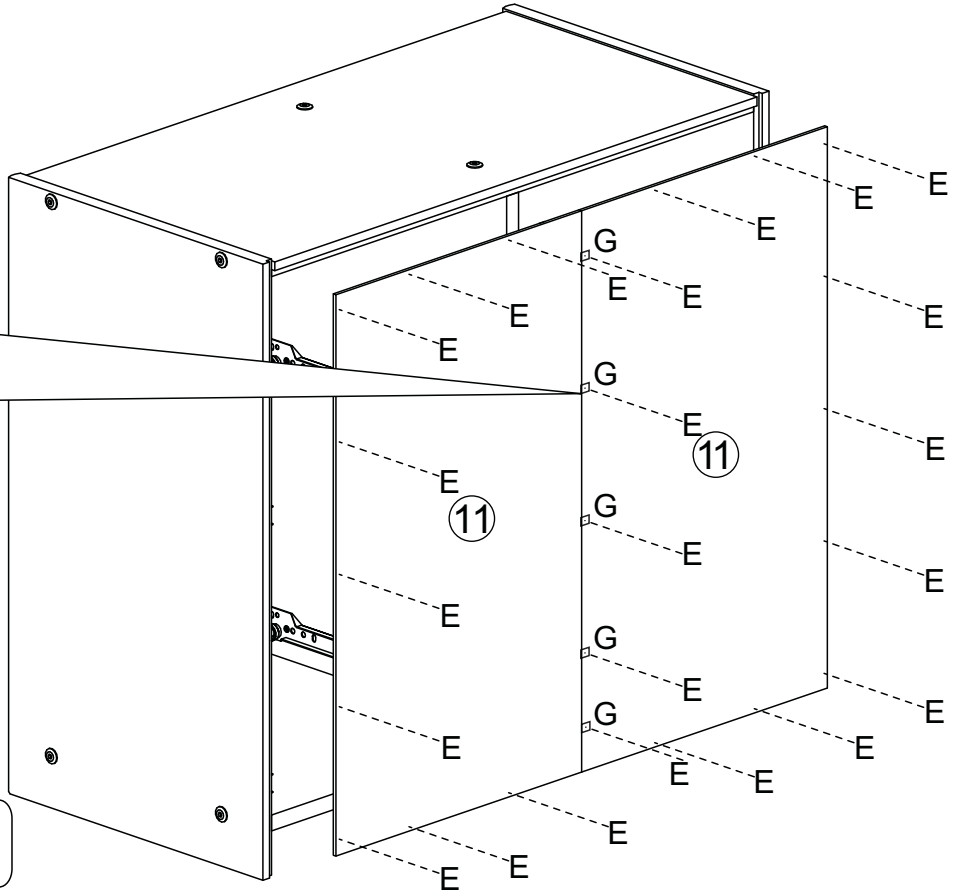
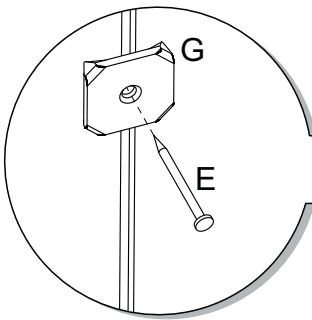
(-) SPACE





A  7,0 x 50 Screw Qty **08**

F  Hex Screwdriver Qty **01**

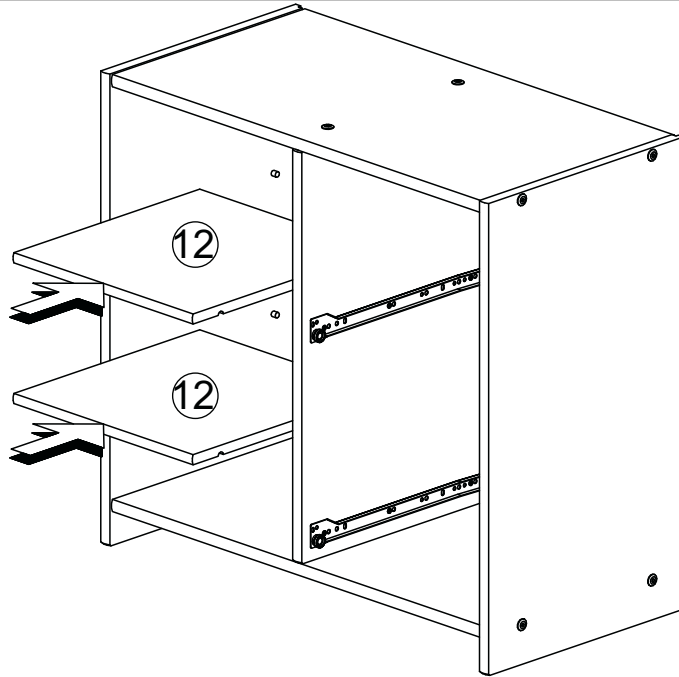
04



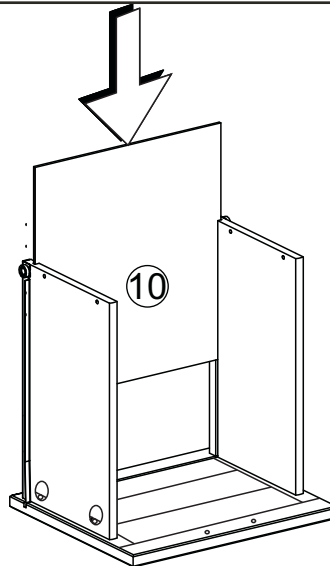
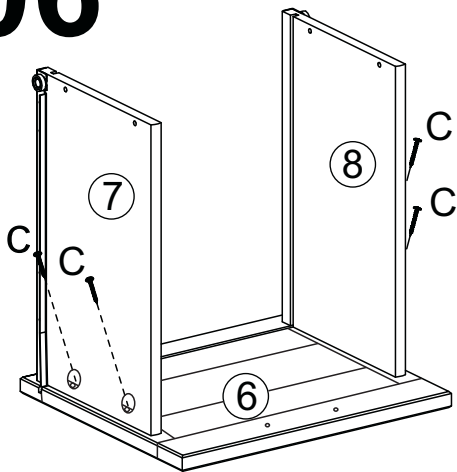
E  10 x 10 Qty **23**

G  Qty **05**

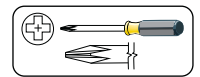
05




06



(x2)

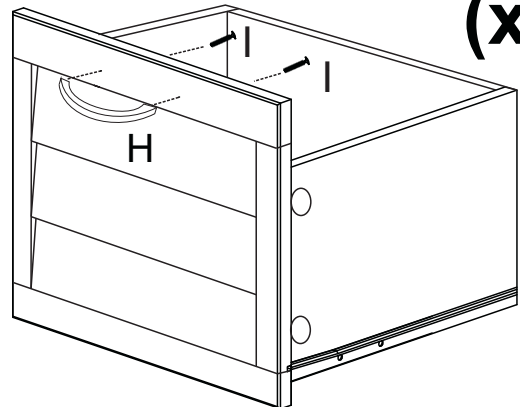
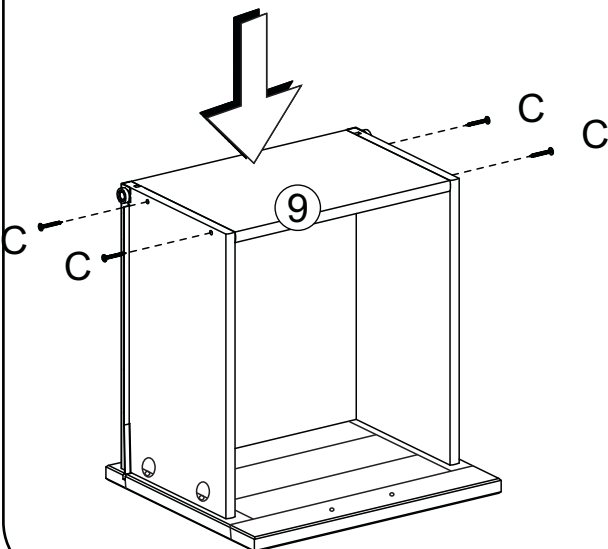


(Not included)


C  3,5 x 30 Screw Qty **08**

07

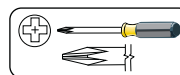
(x2)



(x2)

C  3,5 x 30 Screw Qty **08**

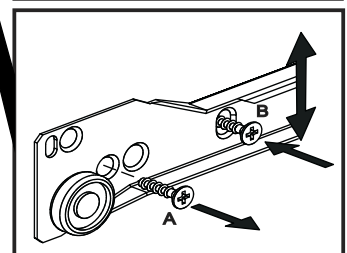
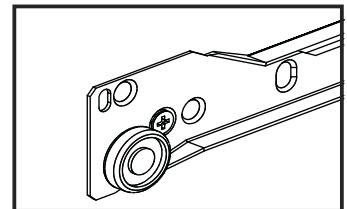
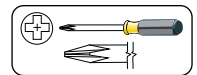
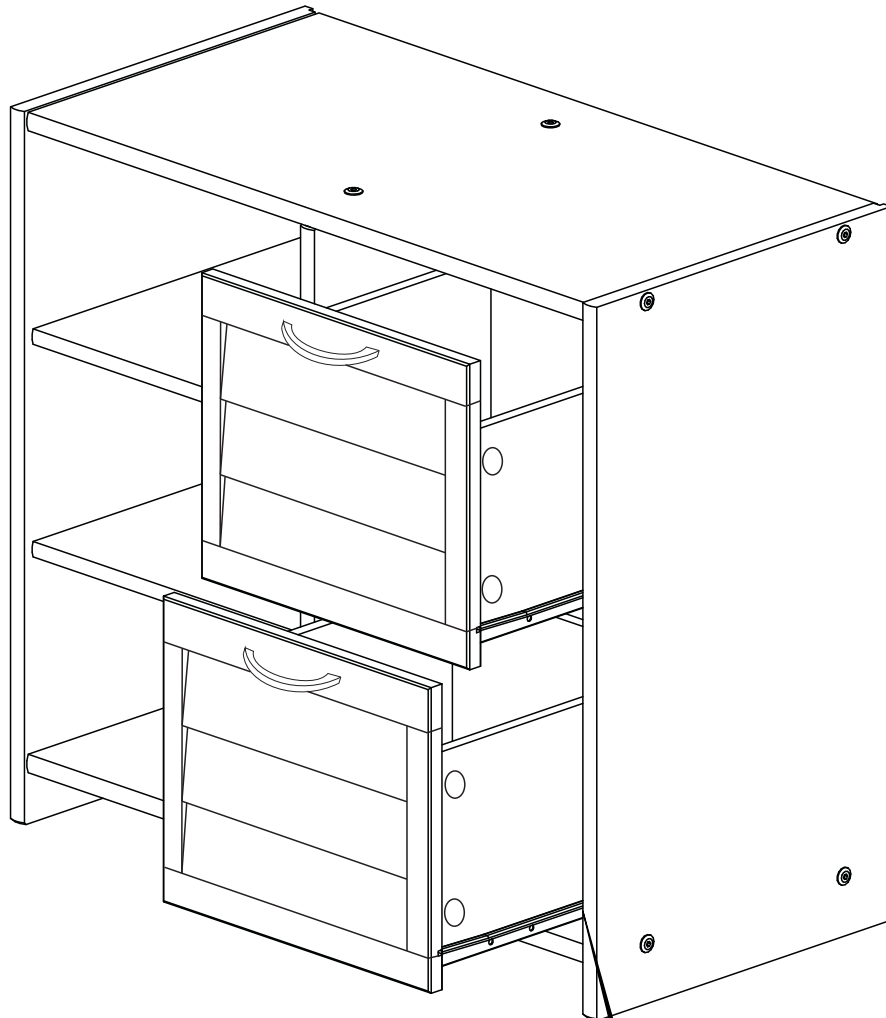
H  Metal Knob Qty **02**



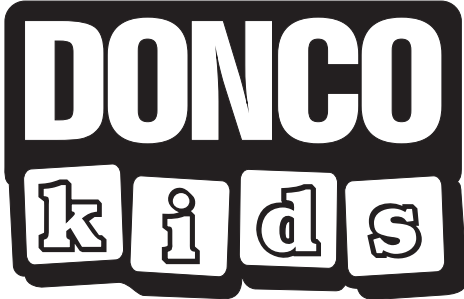
(Not included)

I  M4X25 Screw Qty **04**

08



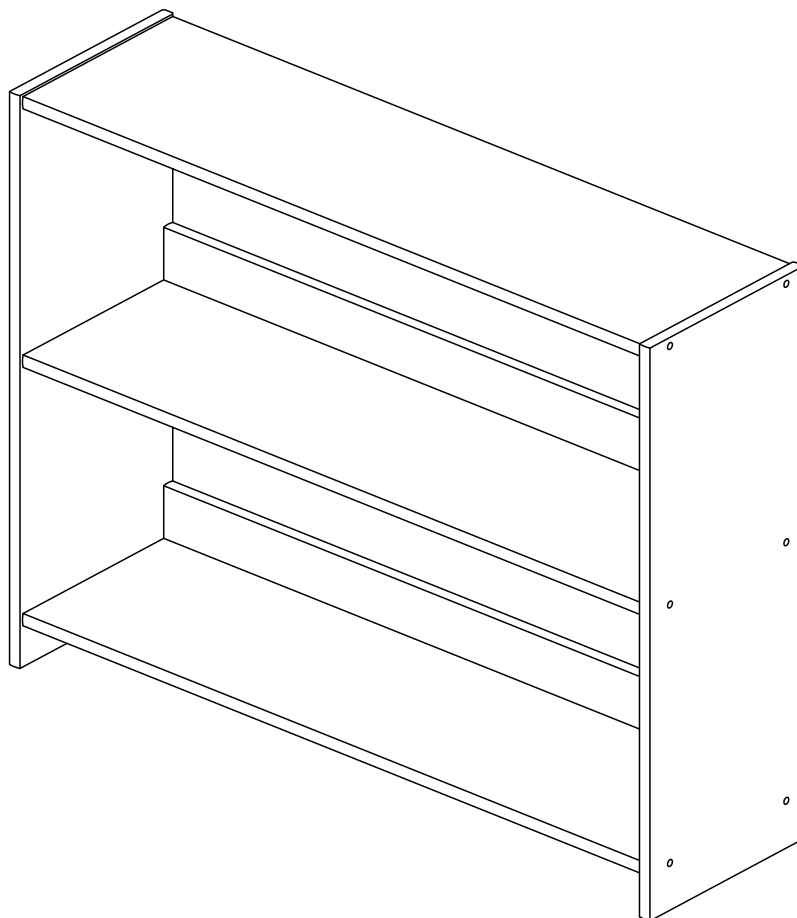
Please remove screw "A" and fix on "B" if necessary to adjust the slide, moving up or down.



Fort Worth, Texas 76140

ASSEMBLY INSTRUCTIONS

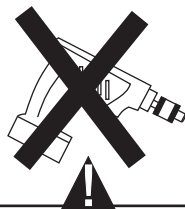
790 BOOKCASE HEADBOARD



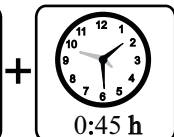
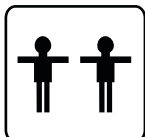
Thank you for purchasing this quality product. Be sure to check all packing material carefully for small parts which may have come loose inside the carton during shipment. Separate, identify and count all parts and hardware.

Compare with the parts list to be sure all parts are present.

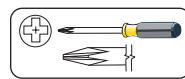
"DO NOT TIGHTEN SCREWS UNTIL COMPLETELY ASSEMBLED"



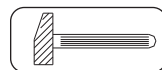
* Use of power tool to assemble this product will invalidate any claim and damage this product making unsafe !!!
* Please assemble on a clean soft surface to avoid damage.



Tools Required



(Not included)

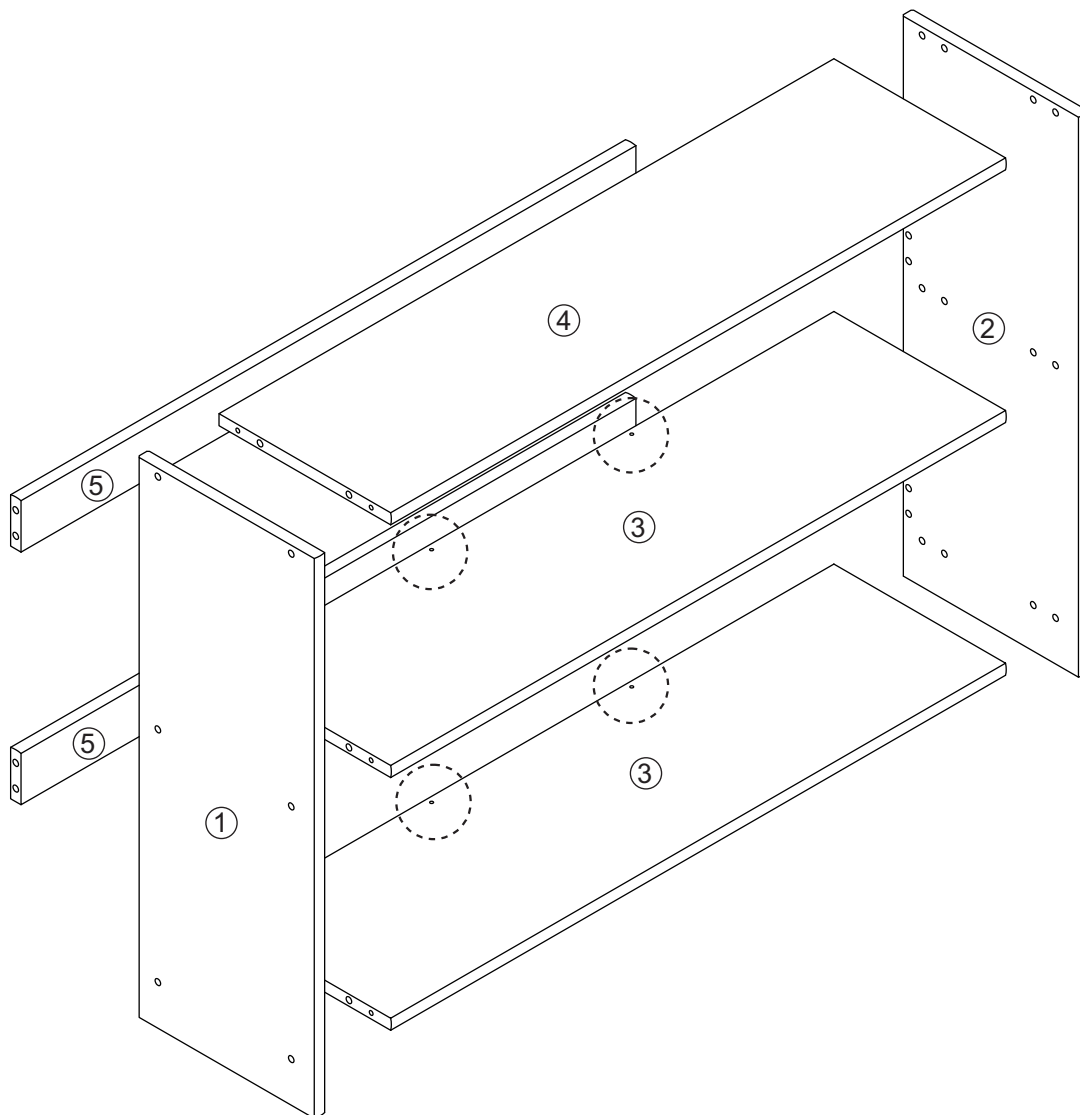


(Not included)


IMPORTANT:


PLEASE READ INSTRUCTION BEFORE STARTING THE ASSEMBLY

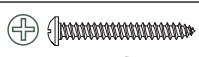
Part List - 790 Bookcase Headboard



Identifying the Hardware-Identify the hardware using the illustrations below.

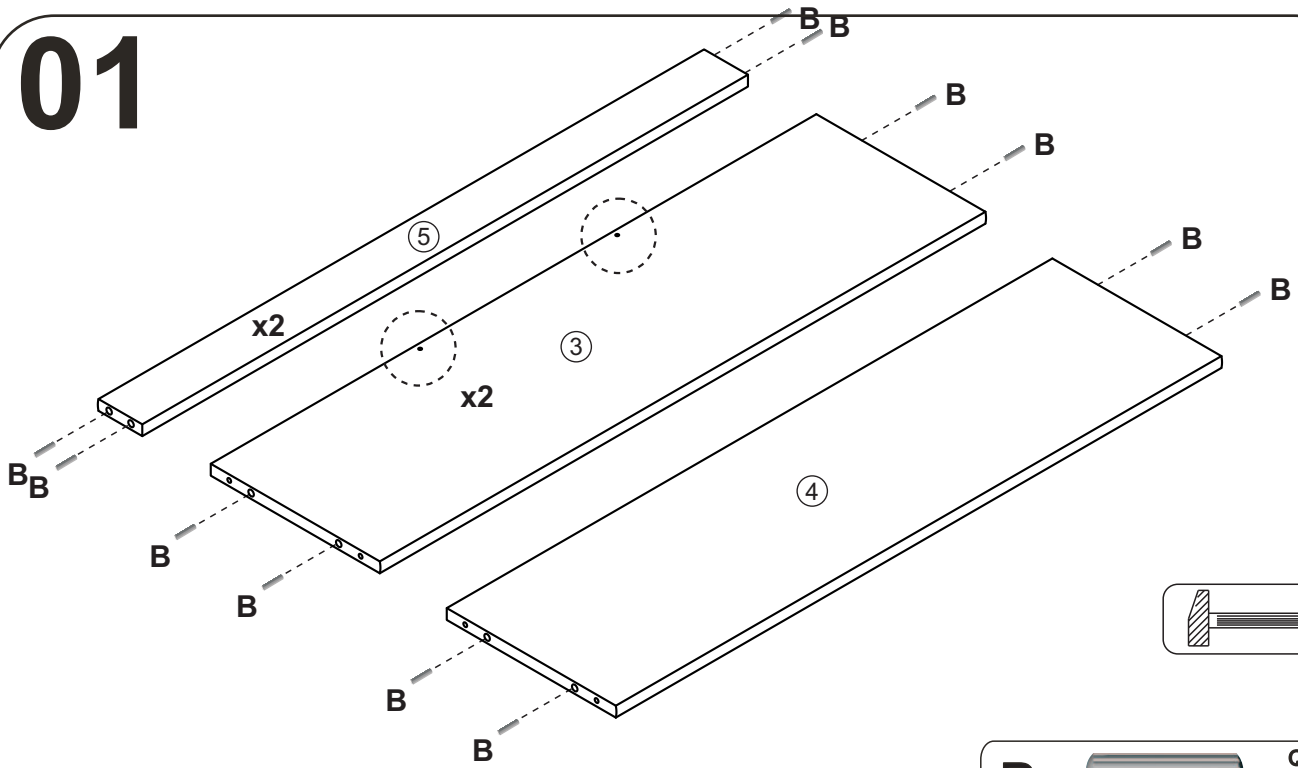
A  Qty **12**
7,0 x 50 Screw

B  Qty **20**
8 x 30 Wood Dowel

C  Qty **04**
4,0 x 30 Screw

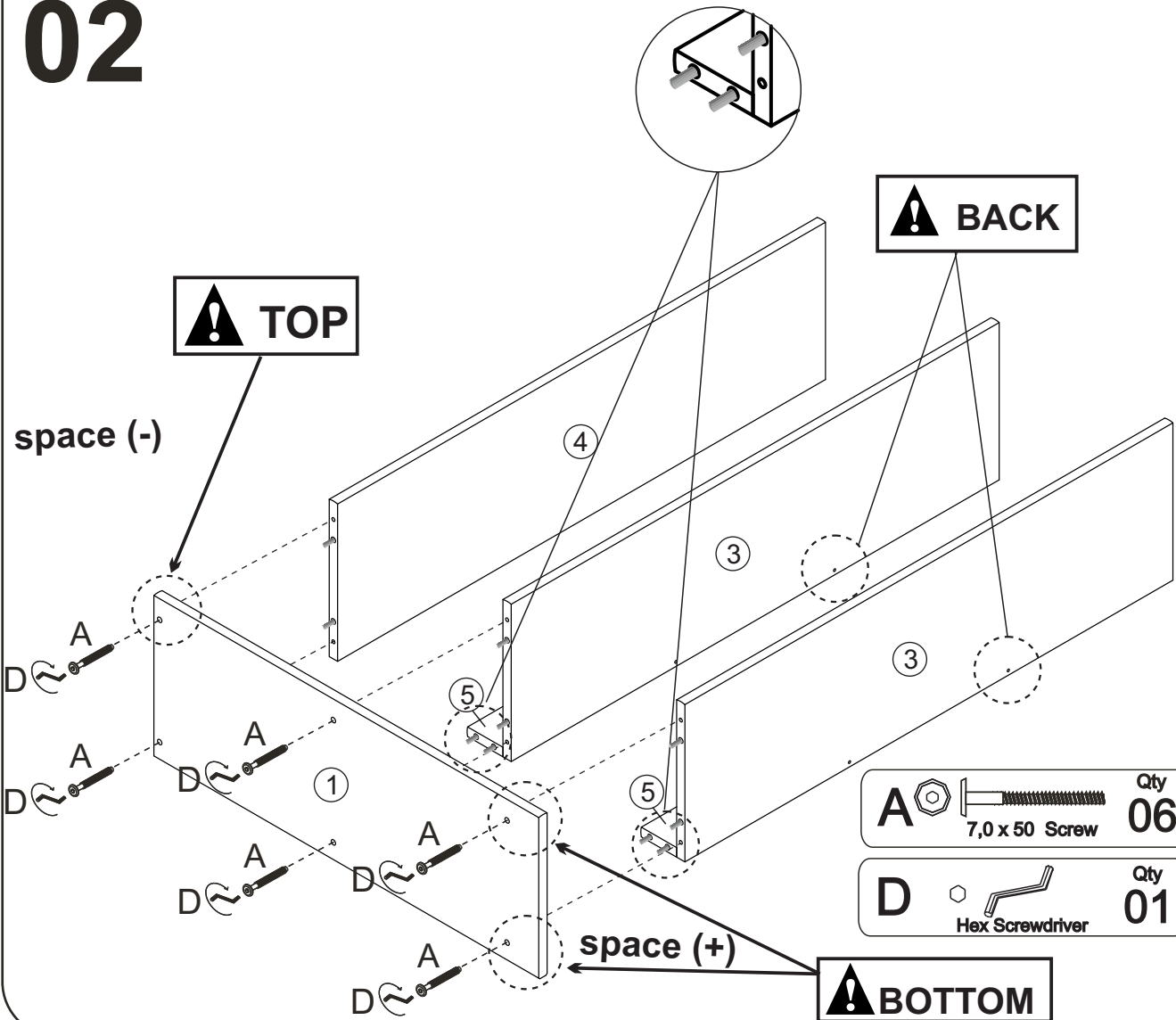
D  Qty **01**
Hex Screwdriver


01



B  Qty **20**
8 x 30 Wood Dowel

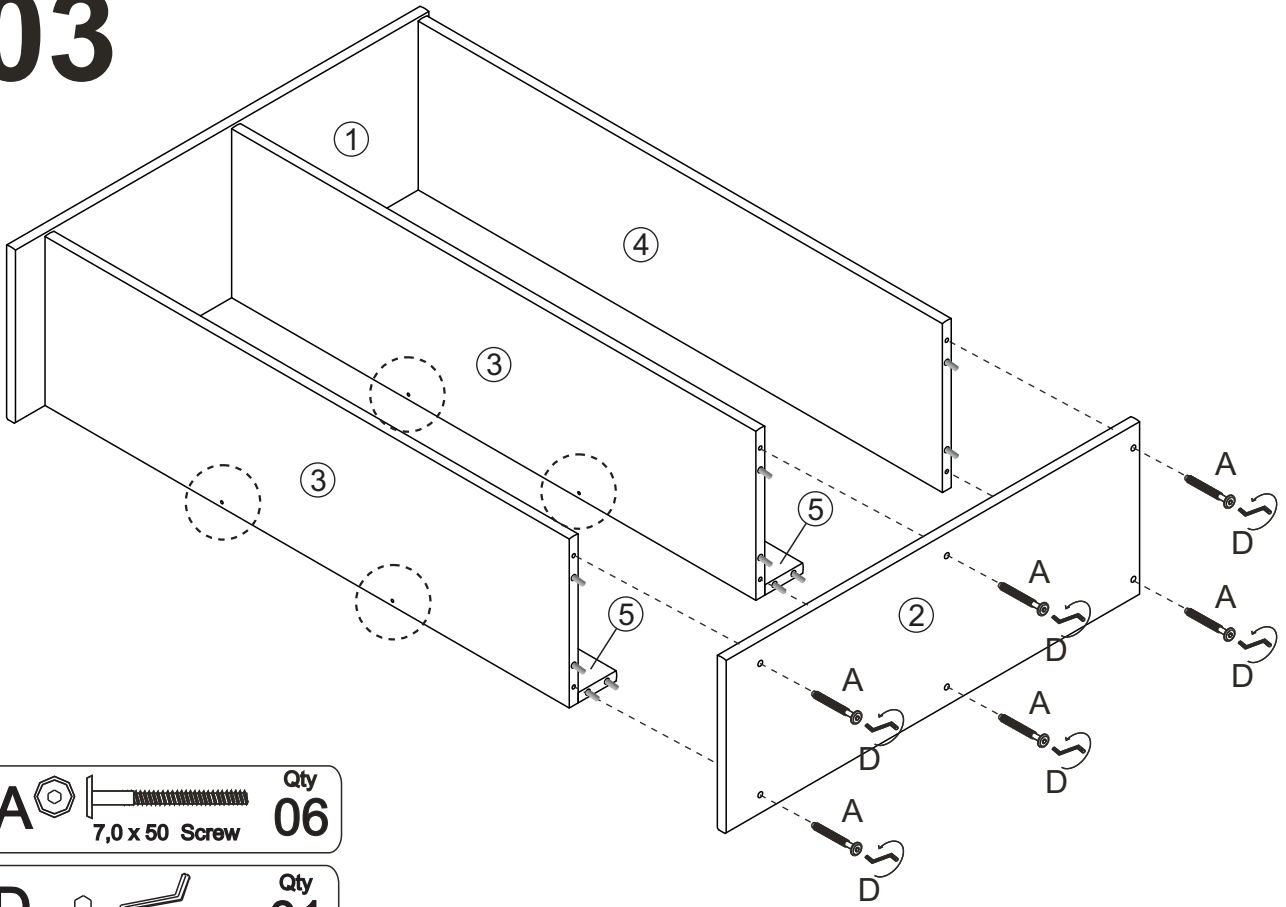
02

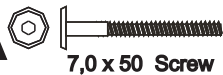



A  Qty **06**
7,0 x 50 Screw

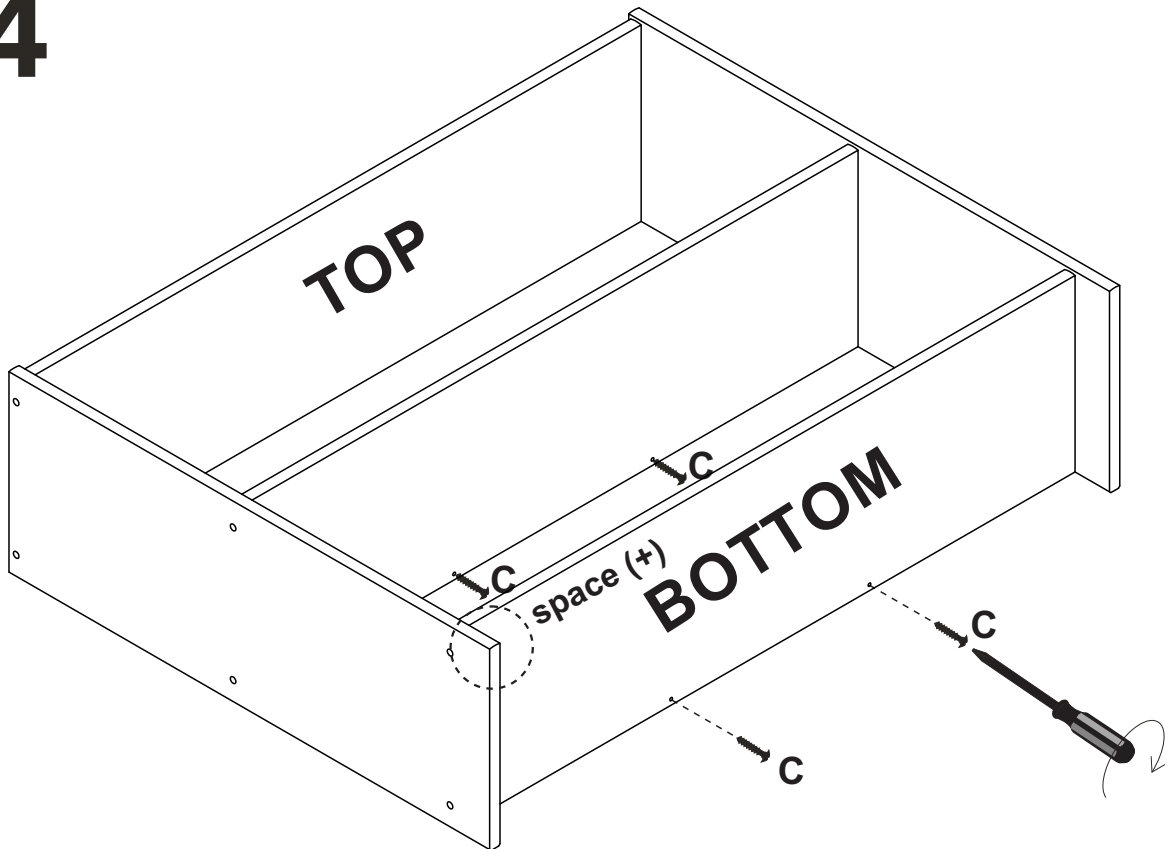
D  Qty **01**
Hex Screwdriver


03

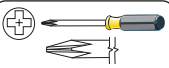


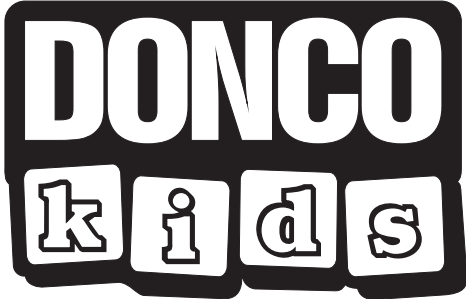
A		Qty 06
D		Qty 01

04



C		Qty 04
----------	---	------------------

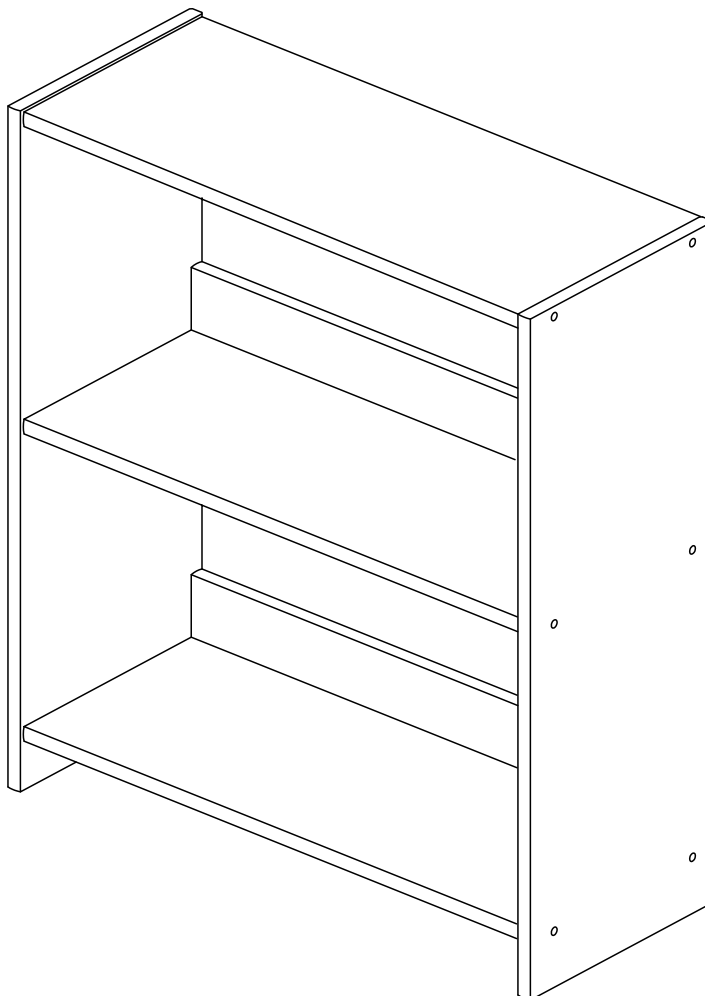

(Not included)



Fort Worth, Texas 76140

ASSEMBLY INSTRUCTIONS

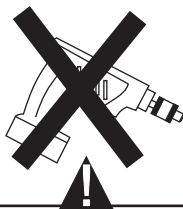
790 BOOKCASE SMALL THE FRONT



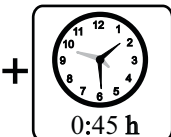
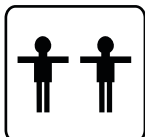
Thank you for purchasing this quality product. Be sure to check all packing material carefully for small parts which may have come loose inside the carton during shipment. Separate, identify and count all parts and hardware.

Compare with the parts list to be sure all parts are present.

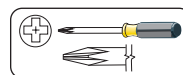
"DO NOT TIGHTEN SCREWS UNTIL COMPLETELY ASSEMBLED"



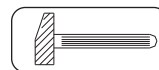
* Use of power tool to assemble this product will invalidate any claim and damage this product making unsafe !!!
* Please assemble on a clean soft surface to avoid damage.



Tools Required



(Not included)

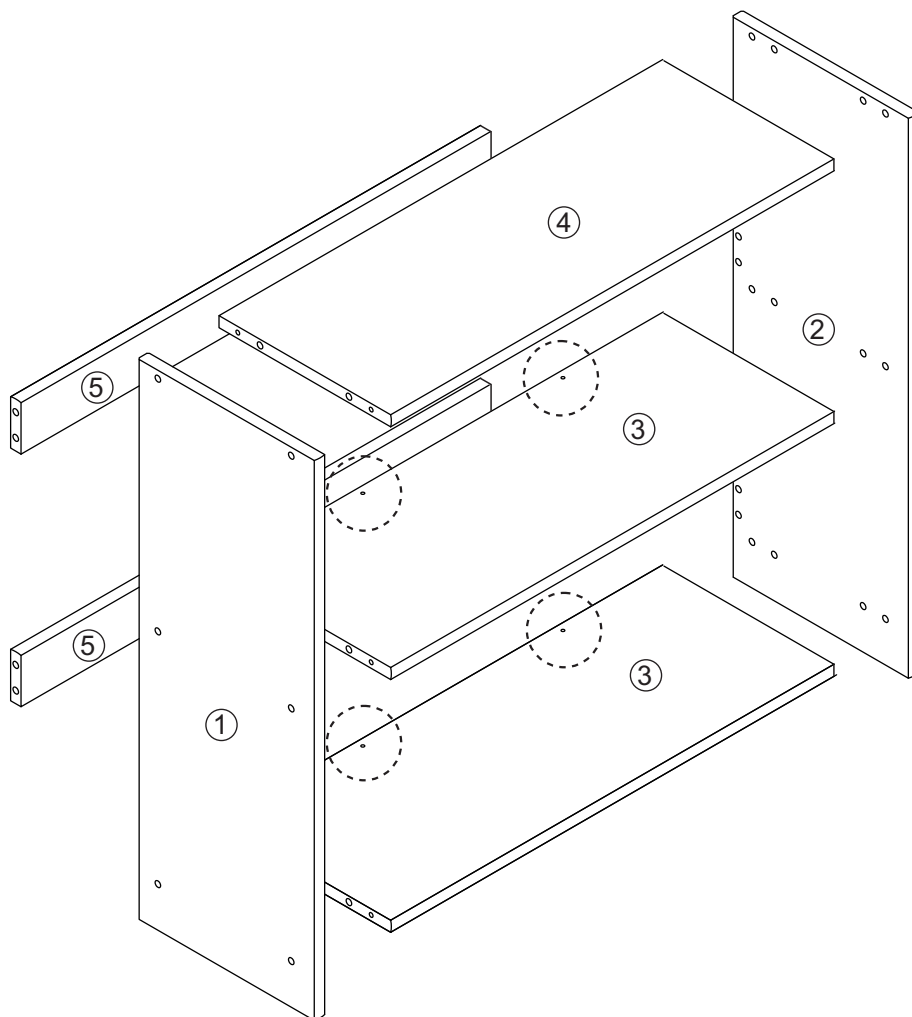


(Not included)


IMPORTANT:


PLEASE READ INSTRUCTION BEFORE STARTING THE ASSEMBLY

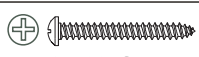
Part List - 790 Bookcase Small The Front



Identifying the Hardware-Identify the hardware using the illustrations below.

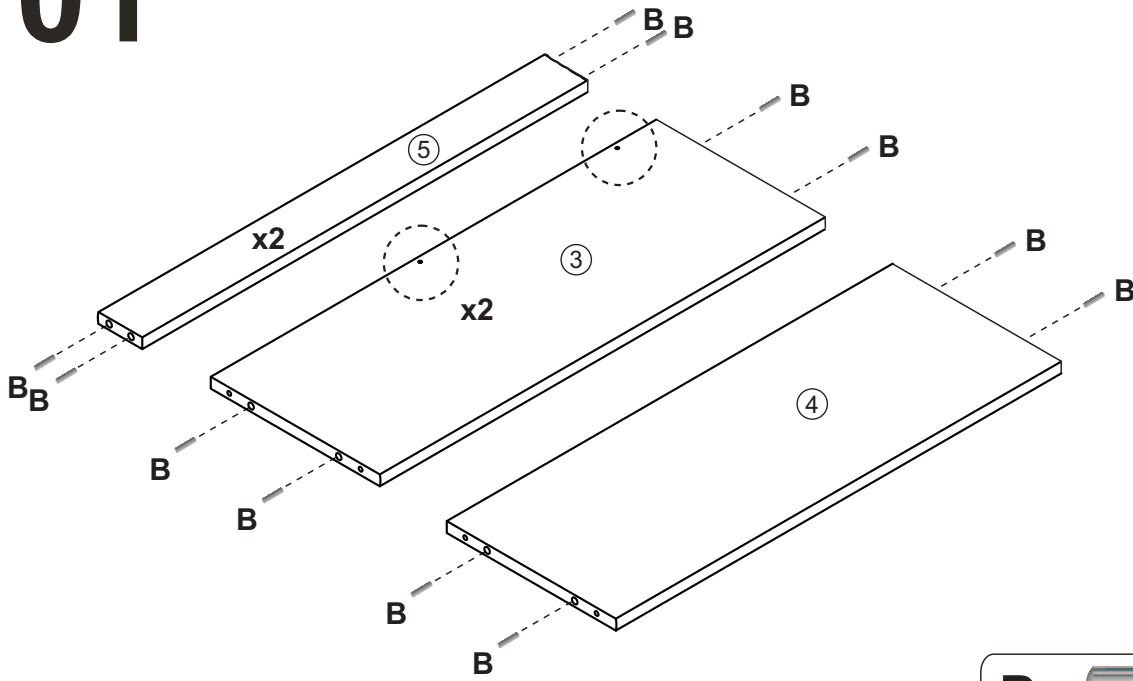
A  Qty **12**
7,0 x 50 Screw

B  Qty **20**
8 x 30 Wood Dowel

C  Qty **04**
4,0 x 30 Screw

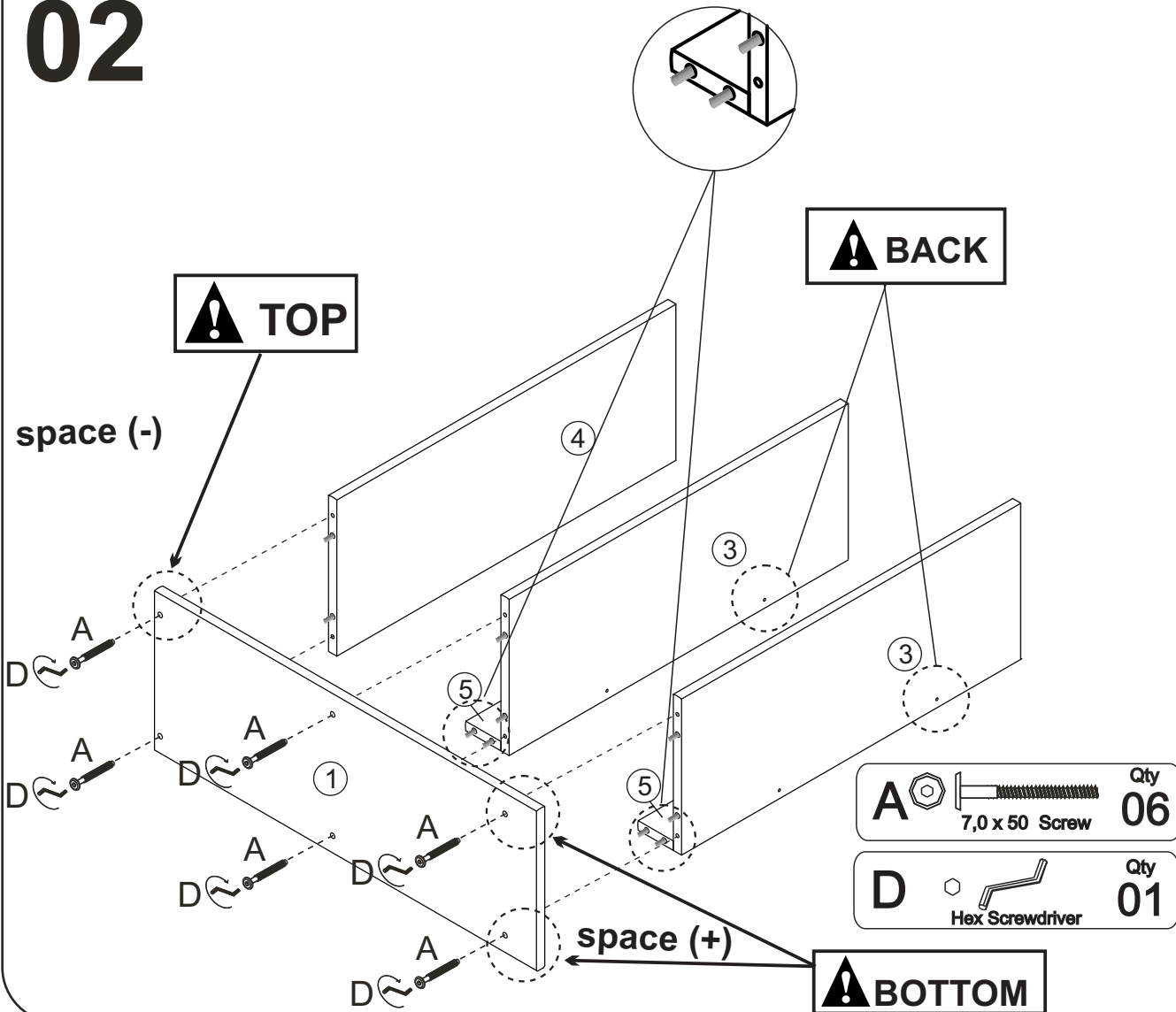
D  Qty **01**
Hex Screwdriver

01

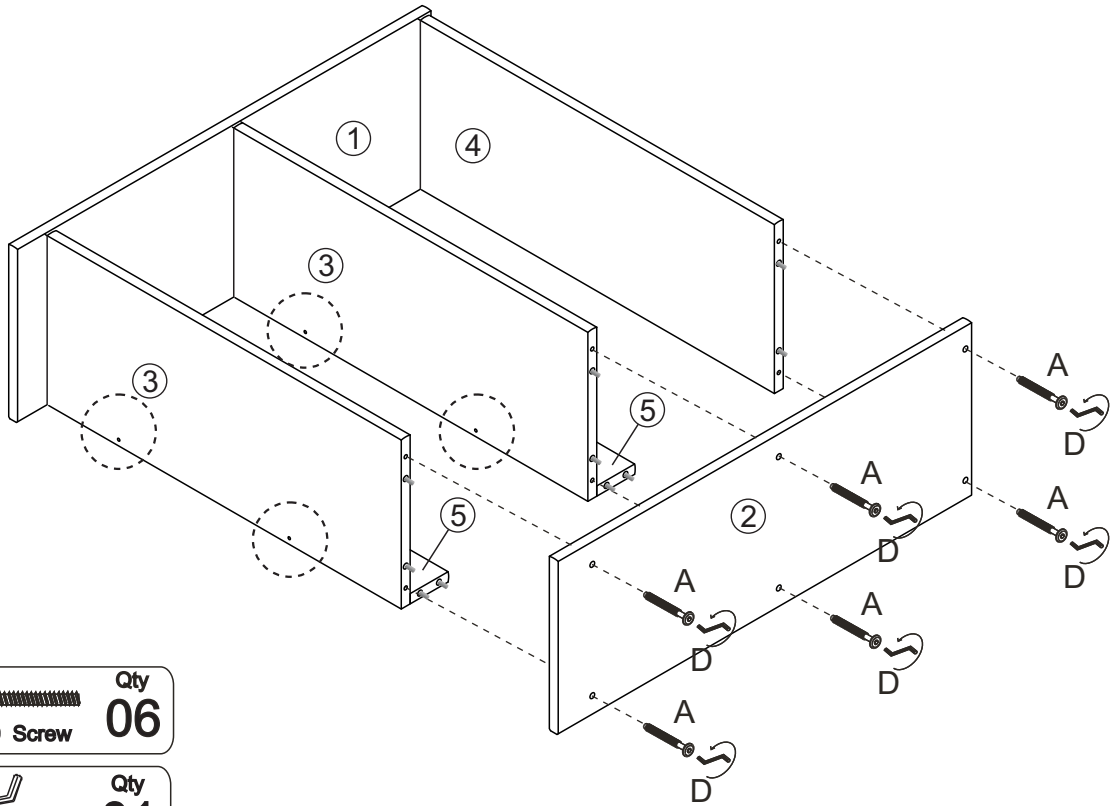


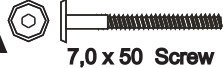

B  Qty **20**
8 x 30 Wood Dowel

02

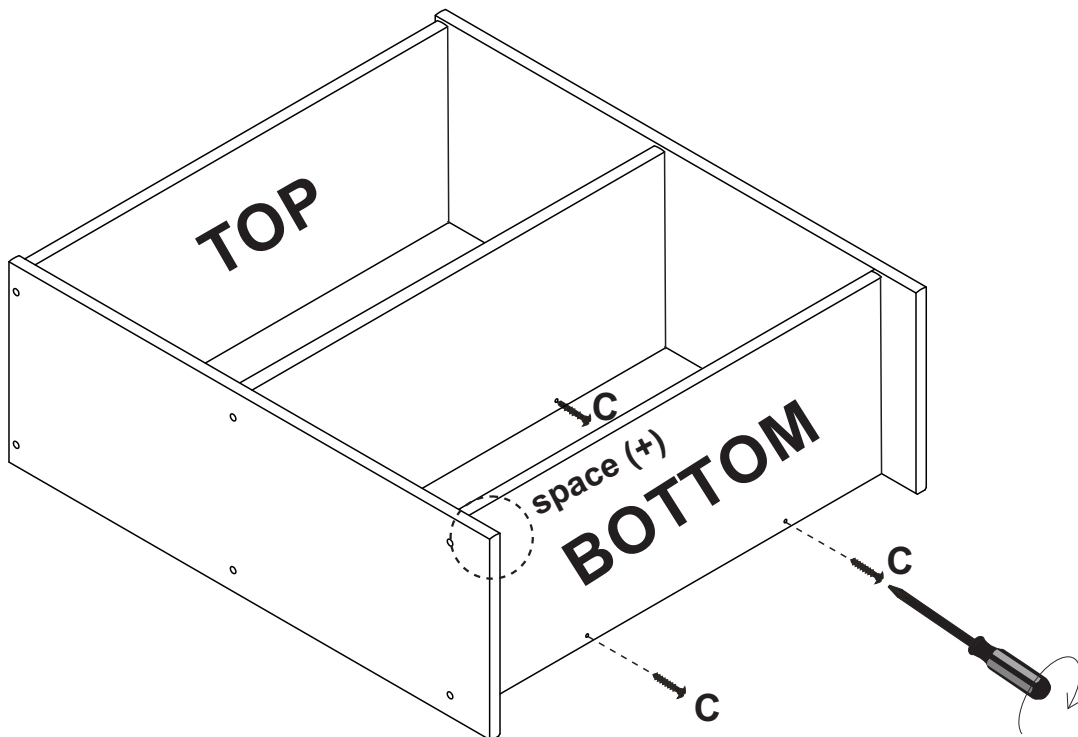



03

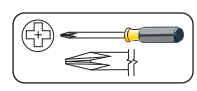


A		Qty 06
D		Qty 01

04



C		Qty 04
----------	---	------------------



(Not included)