

ASSEMBLY INSTRUCTIONS

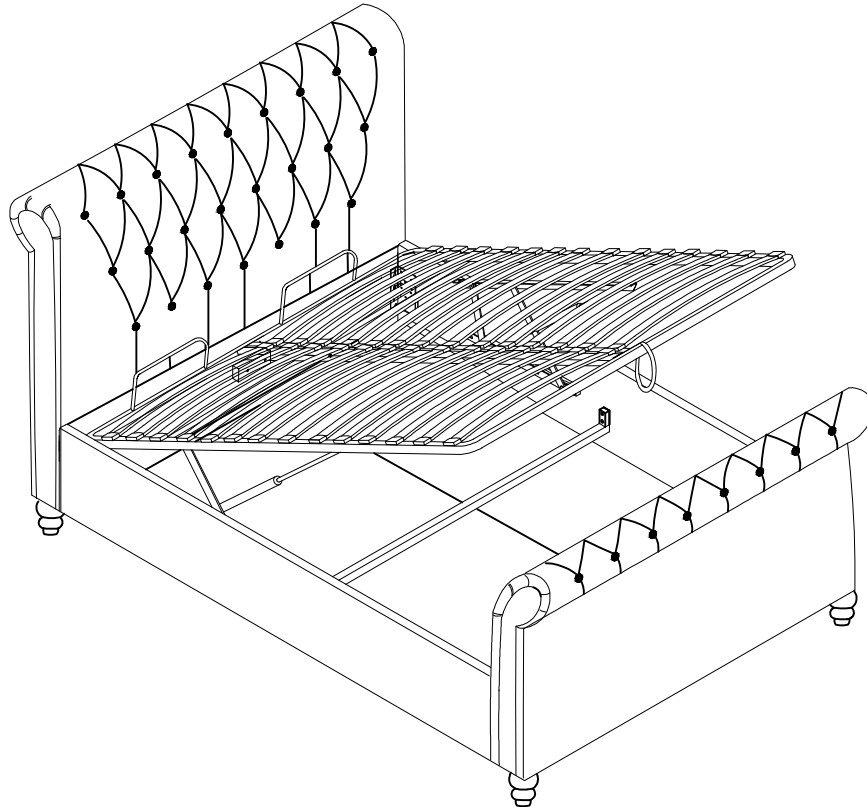
REGENCY OTTOMAN VELVET 4'6'

Important

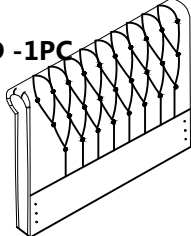
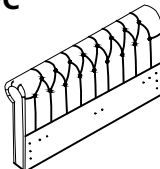
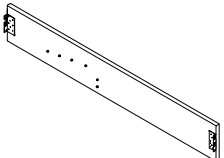
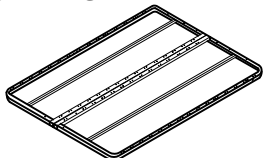
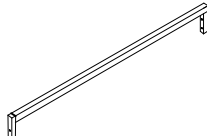
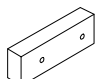

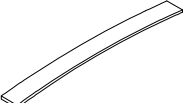
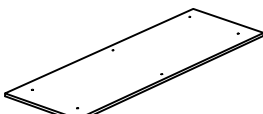
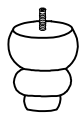


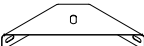

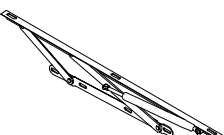

If for any reason you need to return this Item,
you must return it in its original packaging.
Assembled items cannot be returned.

IMPORTANT NOTE

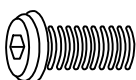


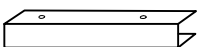


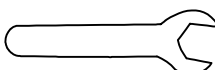
- * PLEASE CHECK ALL PARTS CAREFULLY BEFORE YOU START THE ASSEMBLY OF YOUR FURNITURE
- * PLACE ALL PARTS ON A CLEAN AND FLAT SOFT SURFACE TO PREVENT SCRATHES.
- * KINDLY FOLLOW THE ASSEMBLY INSTRUCTIONS STEP BY STEP.

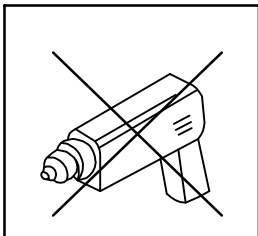


Parts

<p>① HEADBOARD - 1PC</p> 	<p>② FOOTBOARD - 1PC</p> 	<p>③ SIDE RAILS - 2PCS</p> 
<p>④ METAL BASE - 1PC</p> 	<p>⑤ METAL CROSS RAIL - 1PC</p> 	<p>⑥ WOODEN SUPPORT - 1PC</p> 
<p>⑦ BASE STRAP - 1PC</p> 	<p>⑧ SLATS - 26PCS</p> 	<p>⑨ BED BOARD - 2PCS</p> 
<p>⑩ FEET - 4PCS</p> 	<p>⑪ FEET - 12PCS</p> 	<p>⑫ BRACKET - 2PCS</p> 
<p>⑬ MATAL CORNER PLATE - 4PCS</p> 	<p>⑭ MATAL HORIZONTAL SUPPORT BAR - 1PC</p> 	<p>⑮ 2PCS</p> 
<p>⑯ 8PCS</p> 		

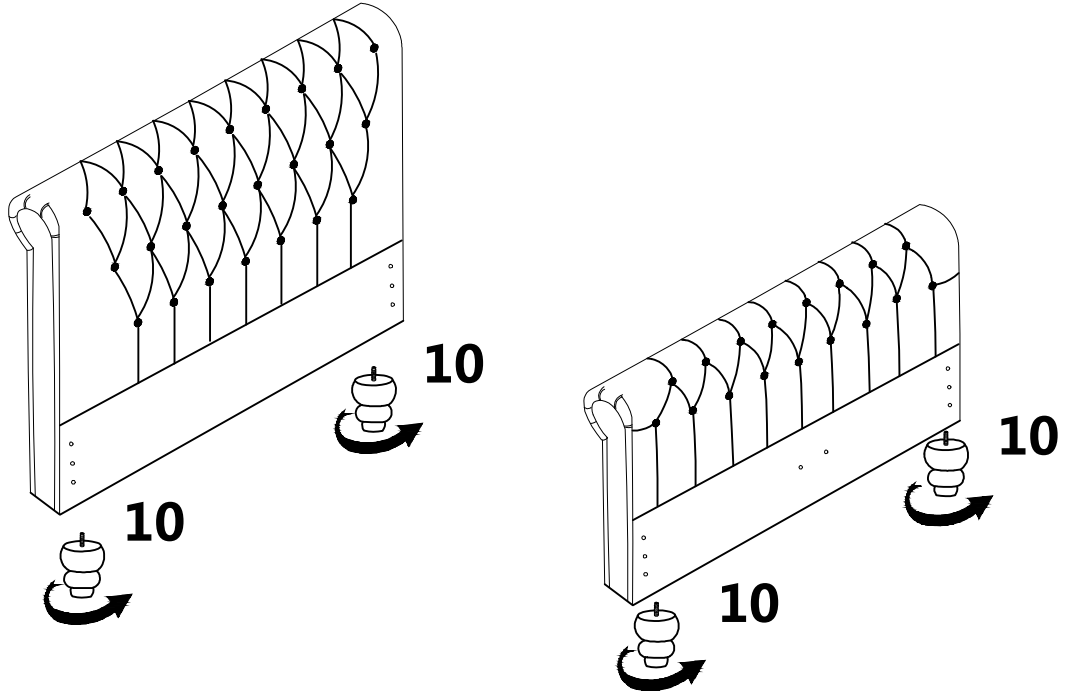
Fittings

<p>Ⓐ 28X 20mm M8bolt</p> 	<p>Ⓑ 24X 40mm M8bolt</p> 			<p>Ⓔ 10X M8x5nut</p> 
	<p>Ⓒ 2x</p> 	<p>Ⓓ 52x end cap</p> 	<p>Ⓘ 1x M5 allen key</p> 	<p>Ⓝ 1x Spanner</p> 

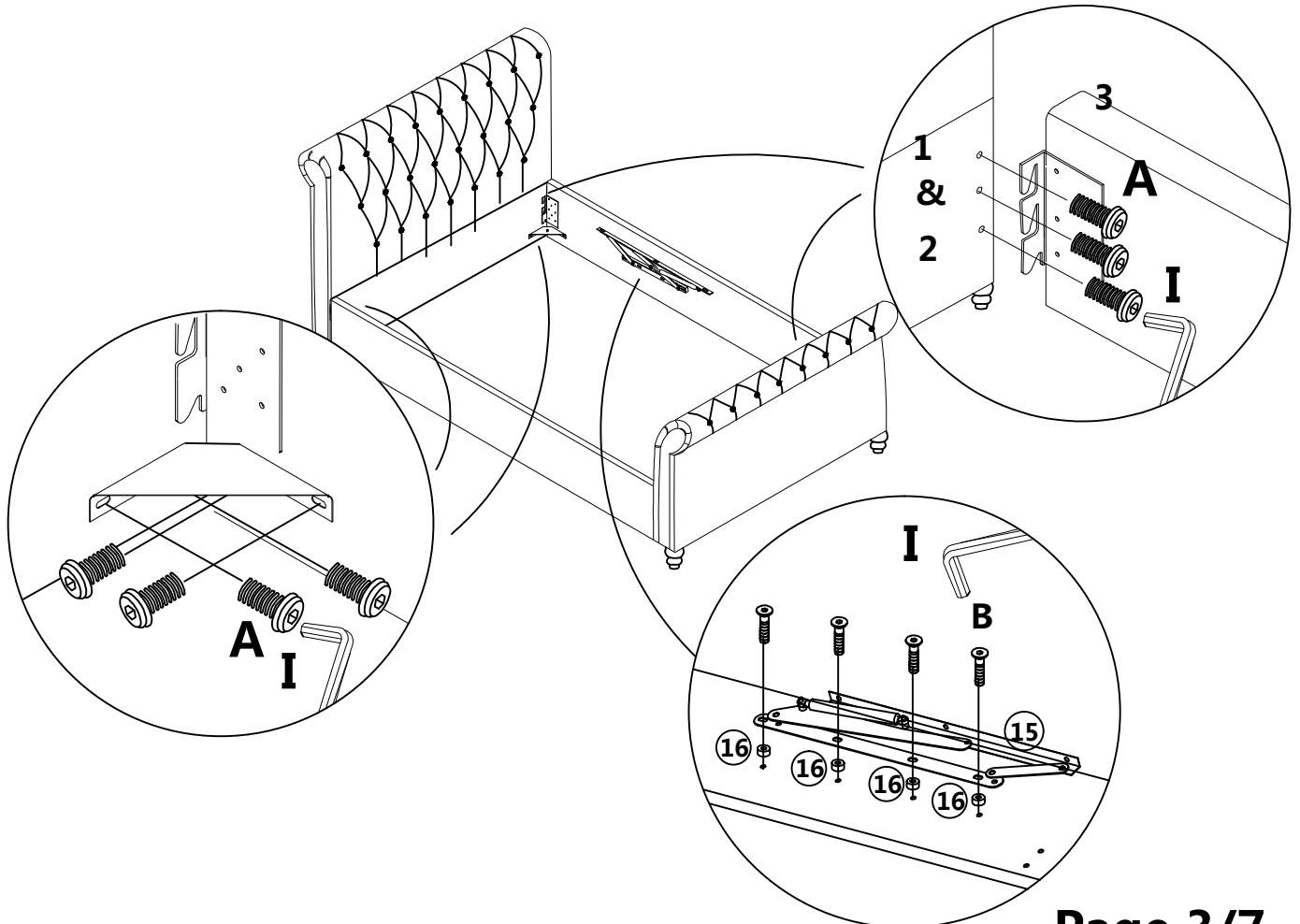
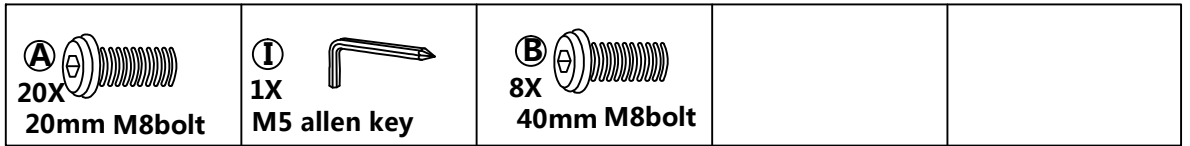


USE OF POWER TOOLS TO ASSEMBLE THIS PRODUCT WILL INVALIDATE ANY CLAIM AND MAY DAMAGE THIS PRODUCT MAKING IT UNSAFE

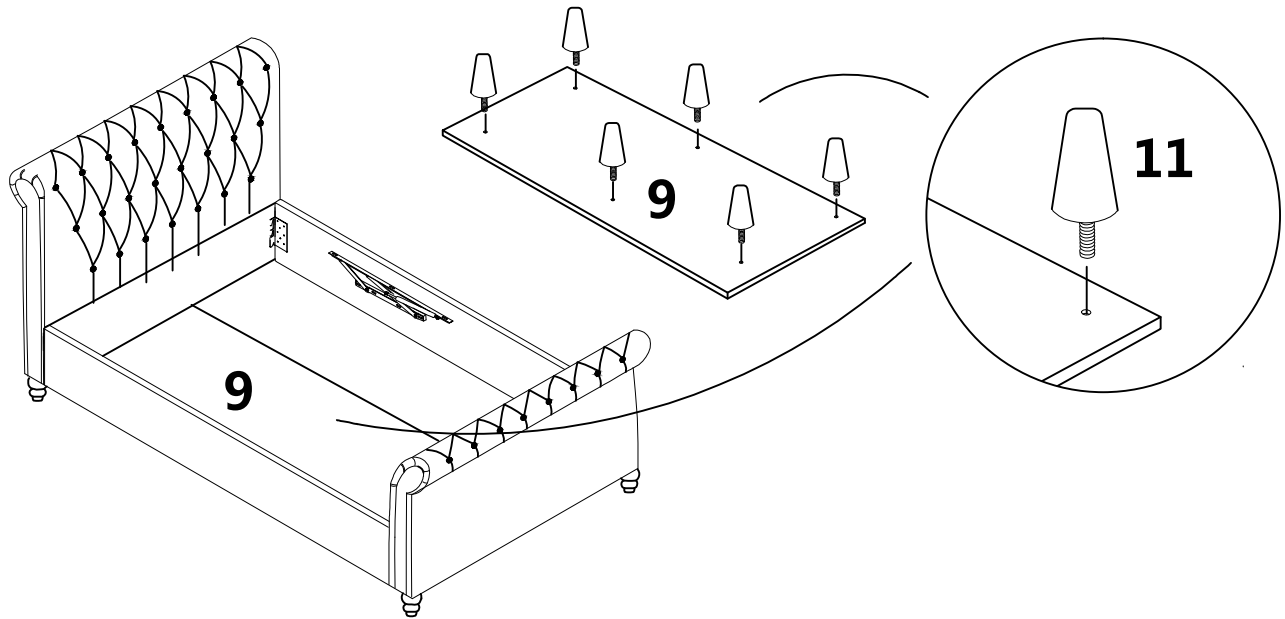
Step 1



Step 2

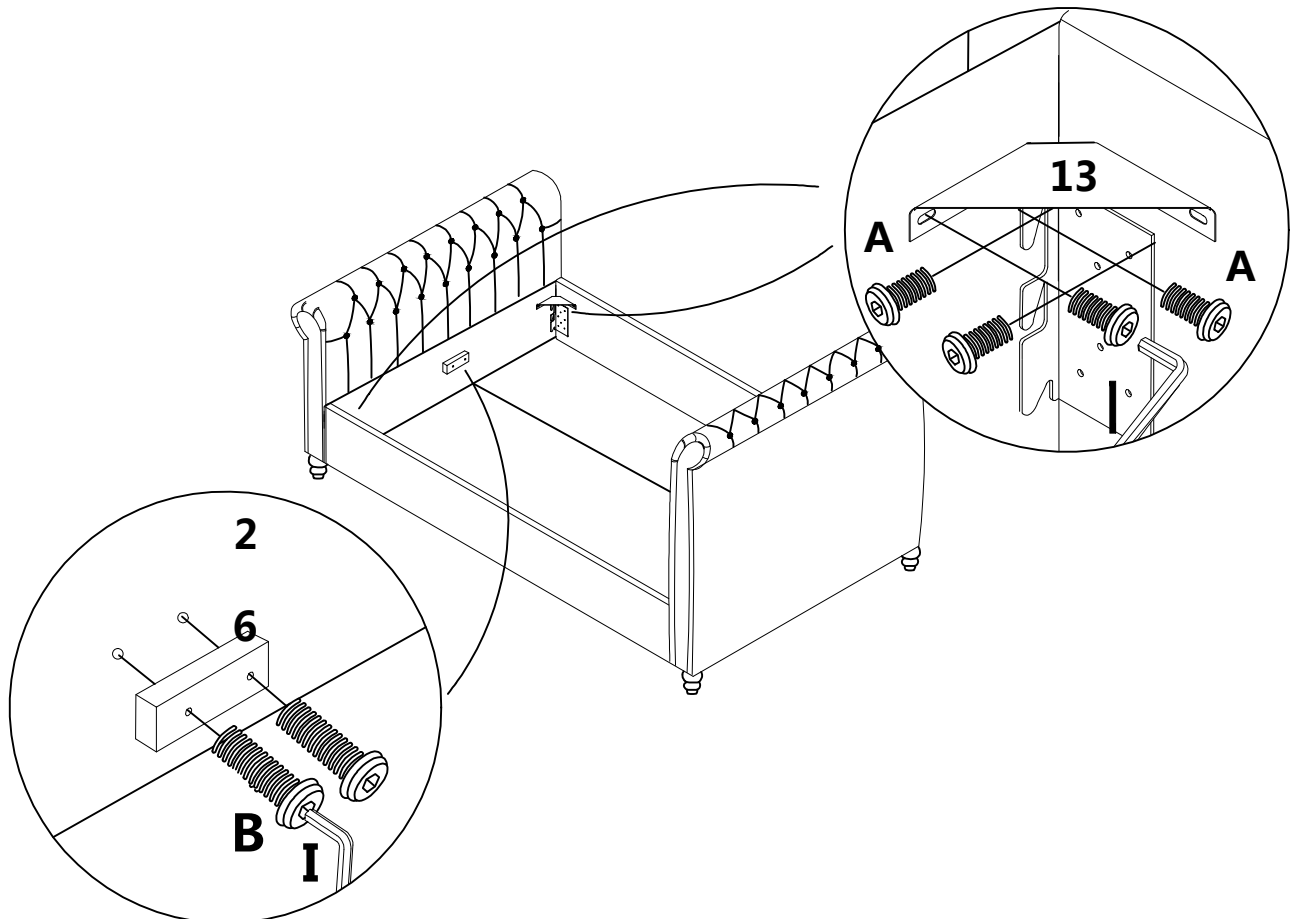


Step 3





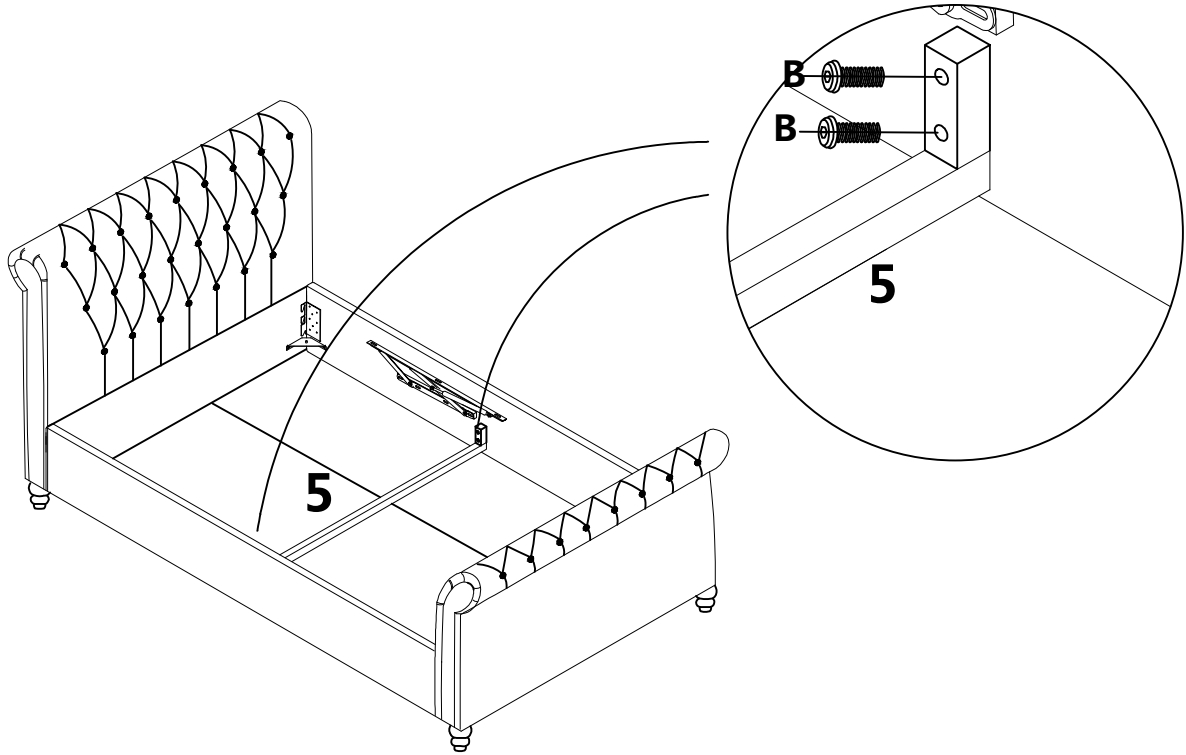
Step 4

I 1X M5 allen key		A 8X 20mm M8bolt		B 2X 40mm M8bolt		J 1x Spanner		
--------------------------------	--	-------------------------------	--	-------------------------------	--	---------------------------	--	--



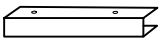

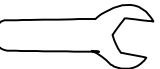


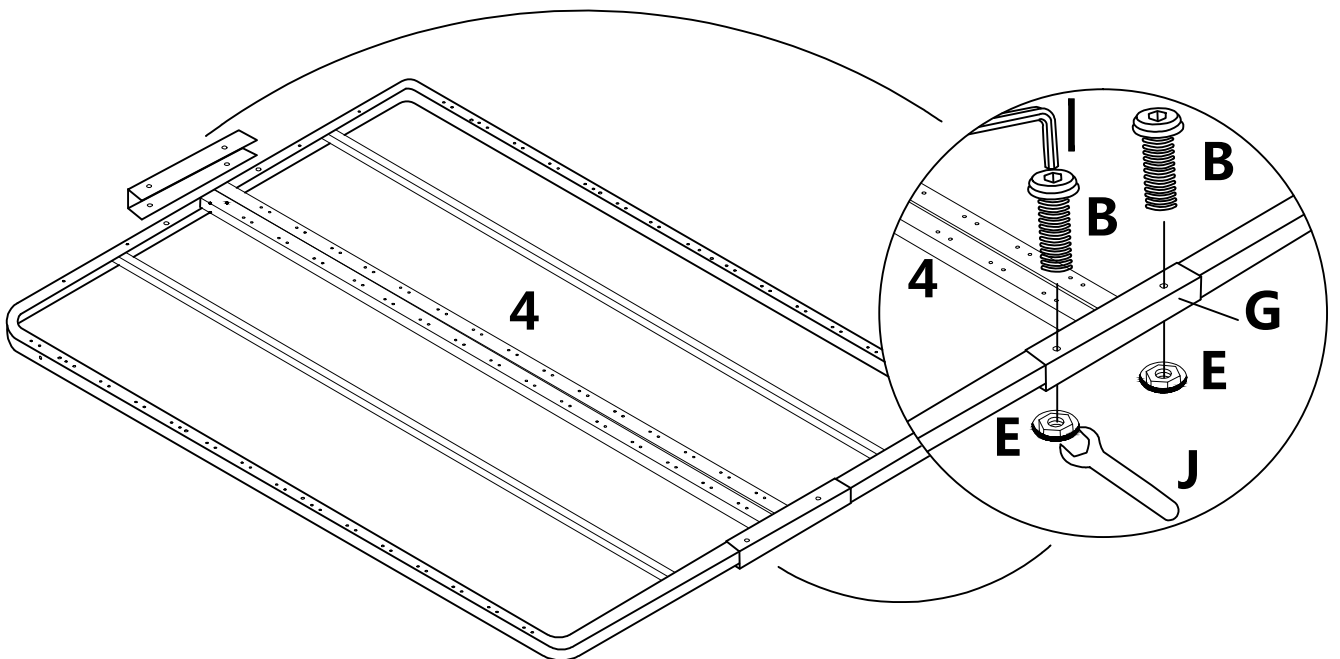
Step 5

I 1X M5 allen key		B 4X 40mm M8bolt				
--------------------------------	---	-------------------------------	---	--	--	--

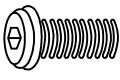


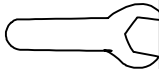


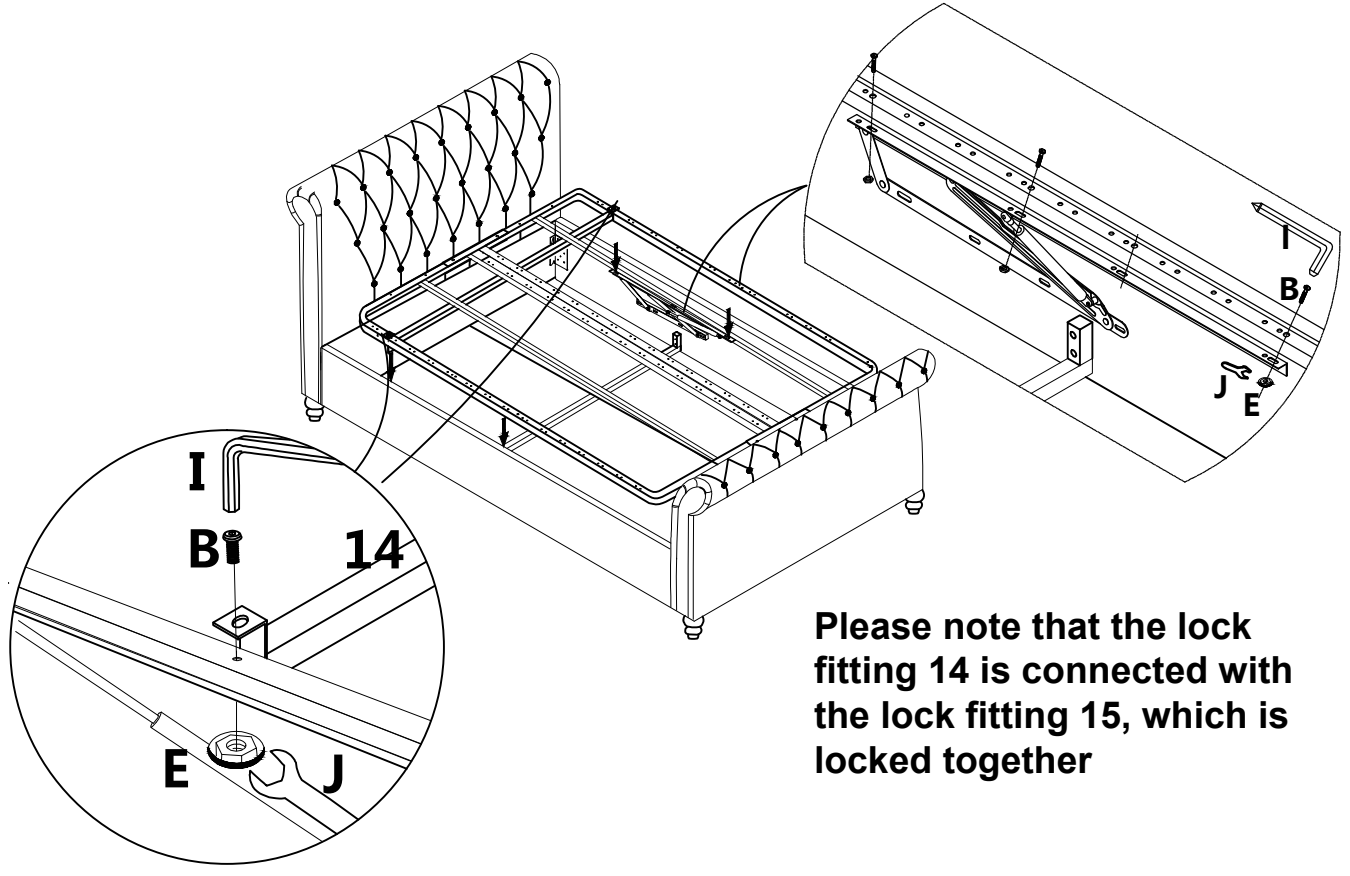
Step 6

B 4X 40mm M8bolt		E 4X M8x5nut		G 2x		I 1X M5 allen key		J 1x Spanner	
-------------------------------	---	---------------------------	---	----------------	--	--------------------------------	---	---------------------------	---




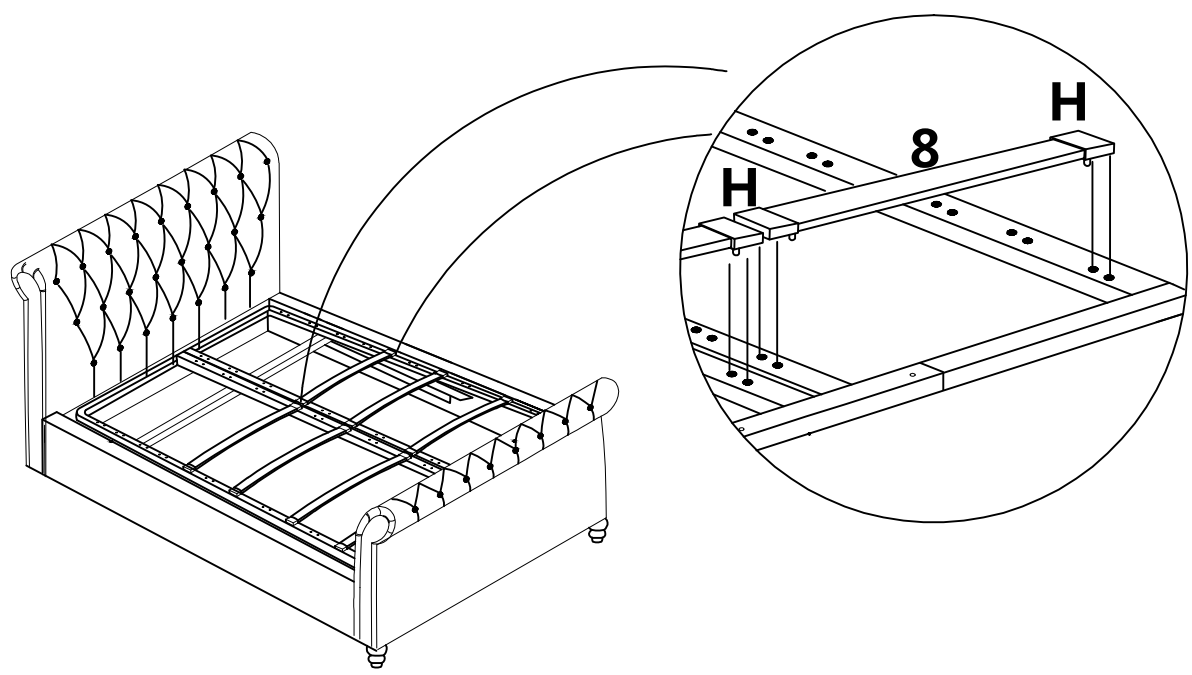
Step 7

B  6X 40mm M8bolt	E  6X M8x5nut	I  1X M5 allen key	J  1x Spanner	
---	--	--	--	--



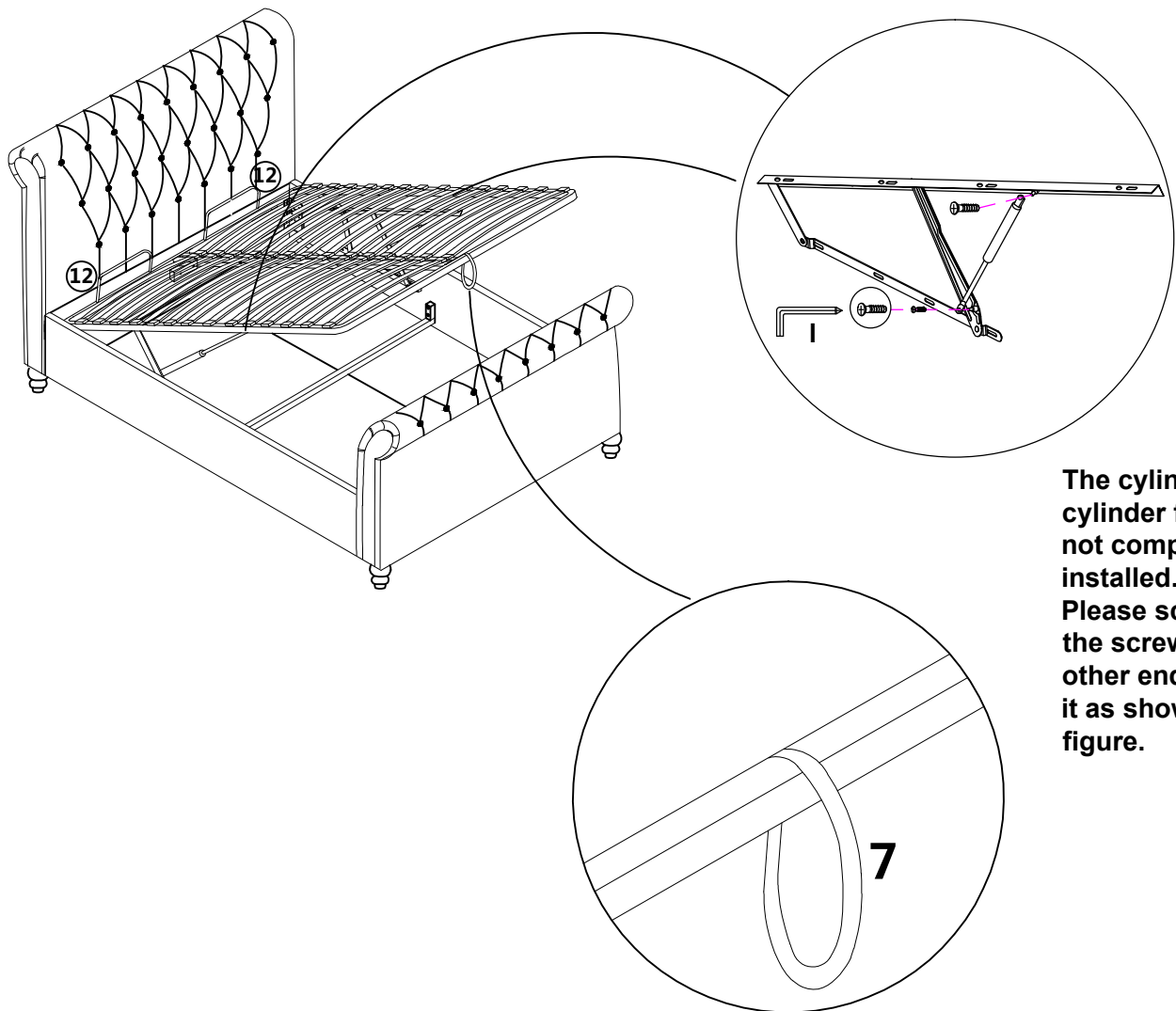
Step 8

H  52x end cap				
---	--	--	--	--



Step 9

①
1X
M5 allen key



The cylinder of cylinder frame is not completely installed.
Please screw off the screw at the other end and lock it as shown in the figure.

Please remove the flange nut first and then fit the gas lift , then put the nut back on to finish this part assembly.