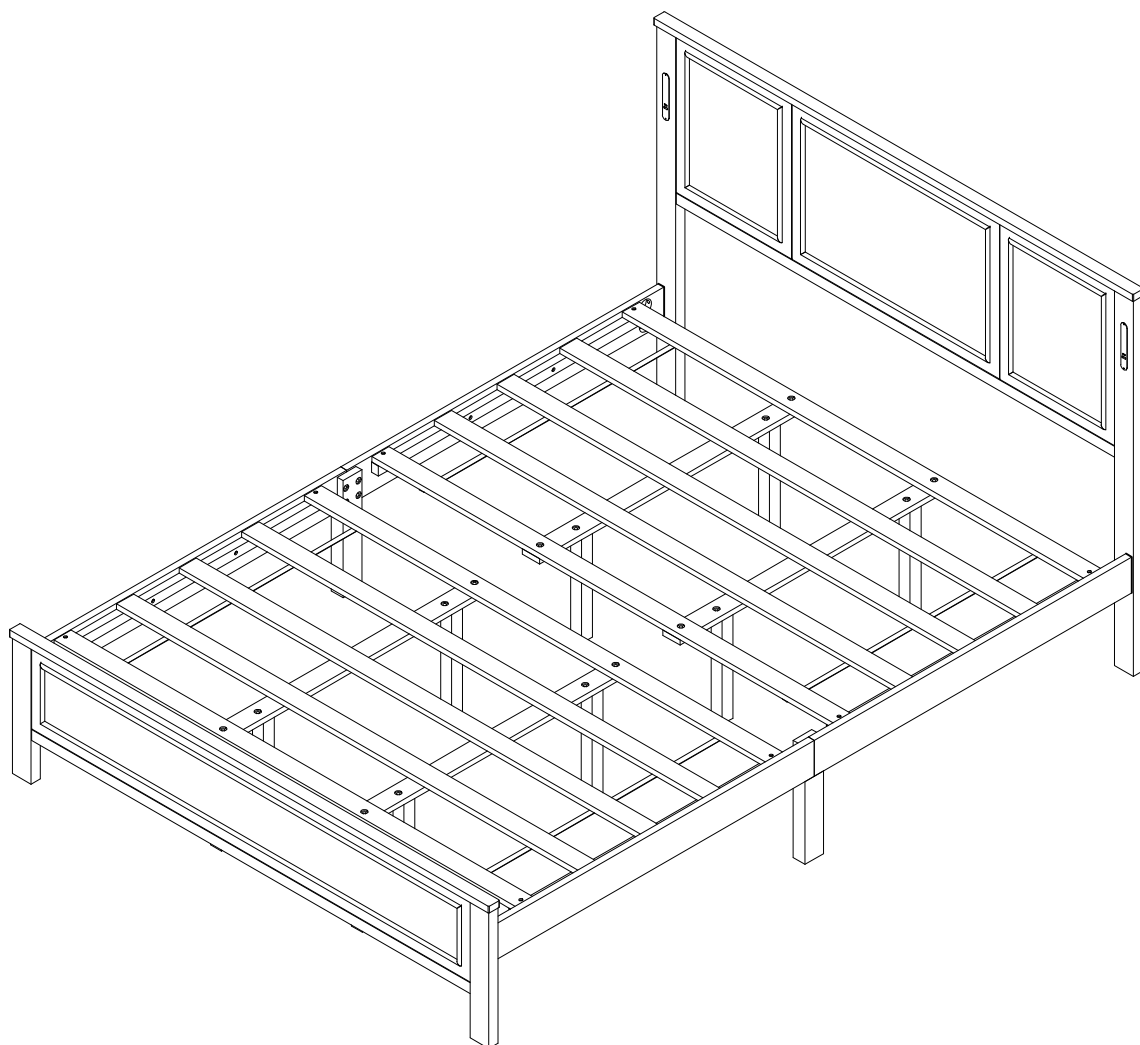


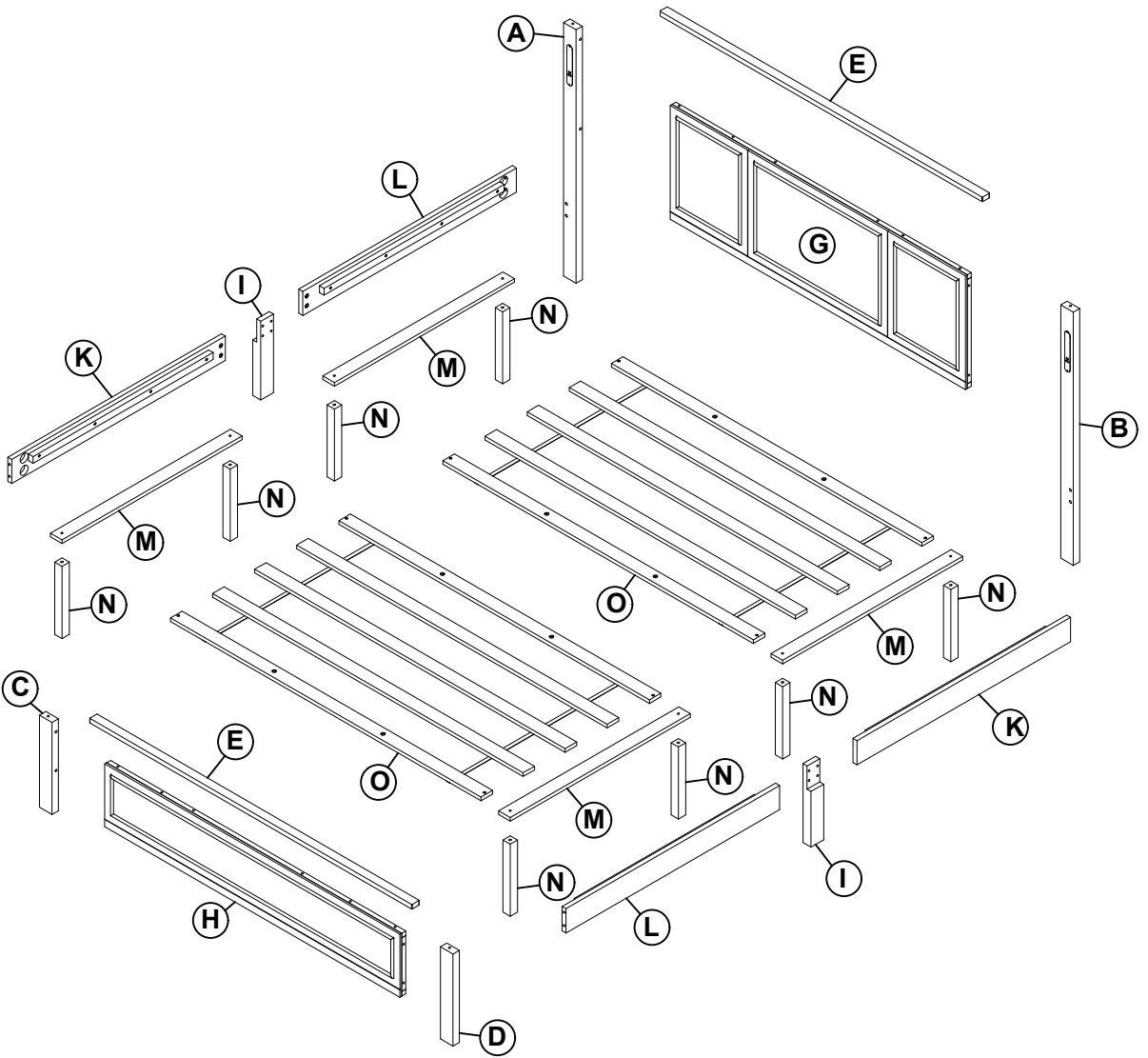
ASSEMBLY INSTRUCTIONS

KING BED





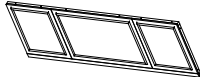


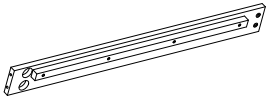
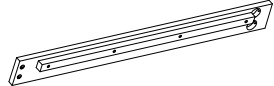
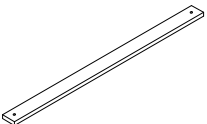



SD33027


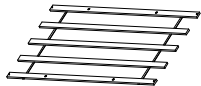
Detail View



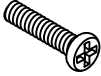






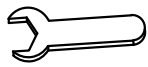
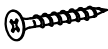
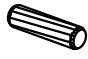

Part List : BOX 1

<p>A</p>  <p>1PC</p>	<p>B</p>  <p>1PC</p>	<p>C</p>  <p>1PC</p>
<p>D</p>  <p>1PC</p>	<p>G</p>  <p>1PC</p>	<p>H</p>  <p>1PC</p>
<p>I</p>  <p>2PCS</p>	<p>K</p>  <p>2PCS</p>	<p>L</p>  <p>2PCS</p>
<p>M</p>  <p>4PCS</p>	<p>N</p>  <p>8PCS</p>	




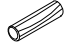
Part List : BOX 2

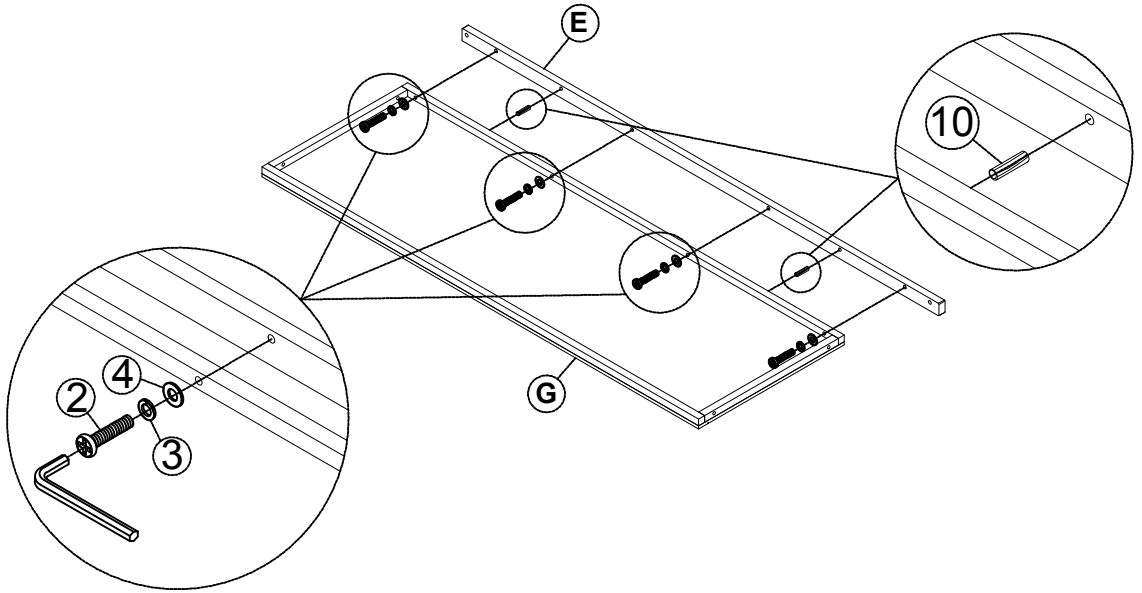
<p>E</p>  <p>2PCS</p>	<p>O</p>  <p>2PCS</p>	
---	---	--

Hardware List : BOX1

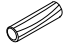



<p>1</p>  <p>(Ø15) x1/4"x40mm Hex-Head bolts (8pcs)</p>	<p>2</p>  <p>(Ø15) x1/4"x35mm Hex-Head bolts (24pcs)</p>	<p>3</p>  <p>1/4"x13x1.5mm Hex-Head bolts (24pcs)</p>
<p>4</p>  <p>1/4"x19x1.5mm Hex-Head bolts (24pcs)</p>	<p>5</p>  <p>Ø5x16"x90mm BOLT (8pcs)</p>	<p>6</p>  <p>Ø5x16" CRESCENT WASHER (8pcs)</p>
<p>7</p>  <p>Ø5x16" NUT (8pcs)</p>	<p>8</p>  <p>WRENCH (1pc)</p>	<p>9</p>  <p>4x30mm Wood screws (16pcs)</p>
<p>10</p>  <p>Ø8x30mm Wooden dowel (8pcs)</p>	<p>11</p>  <p>(1/4") 4.5x58mm Allen key (1pc)</p>	

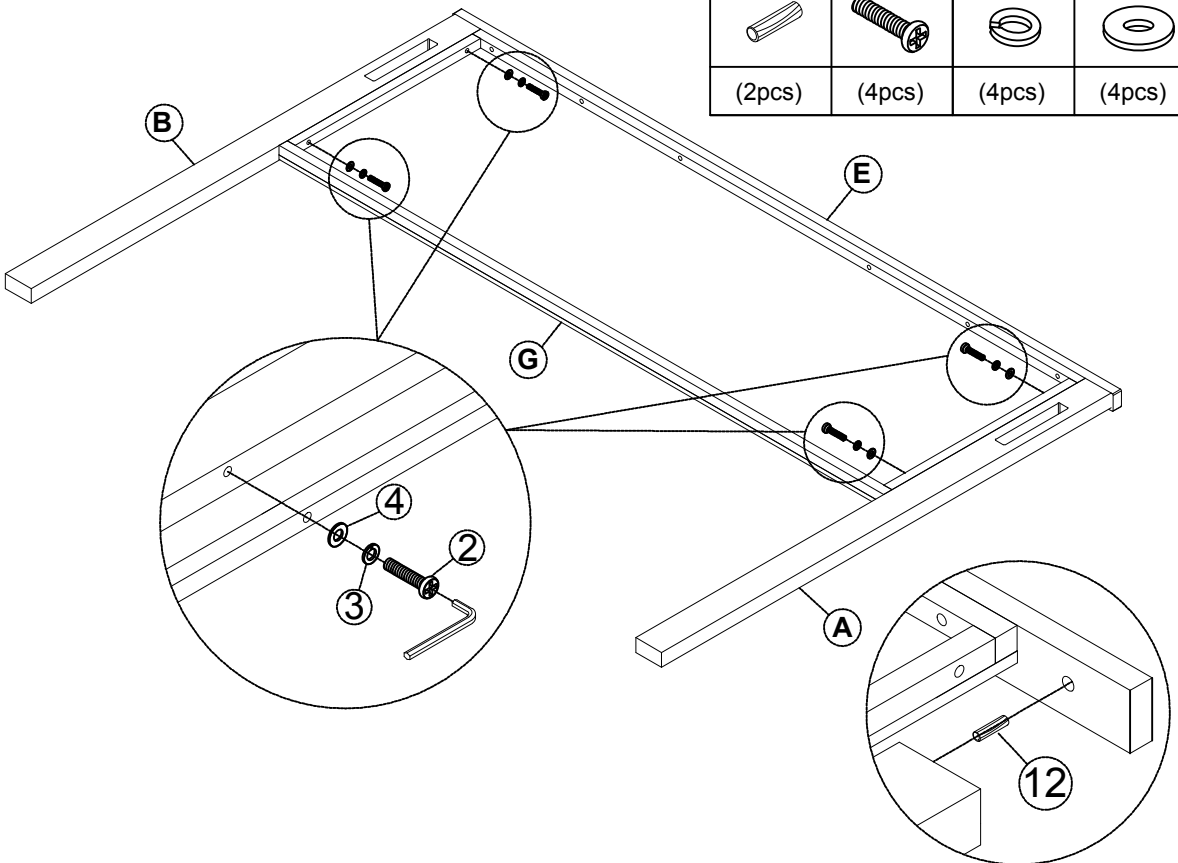
STEP 1

2	3	4	10
			
(4pcs)	(4pcs)	(4pcs)	(2pcs)







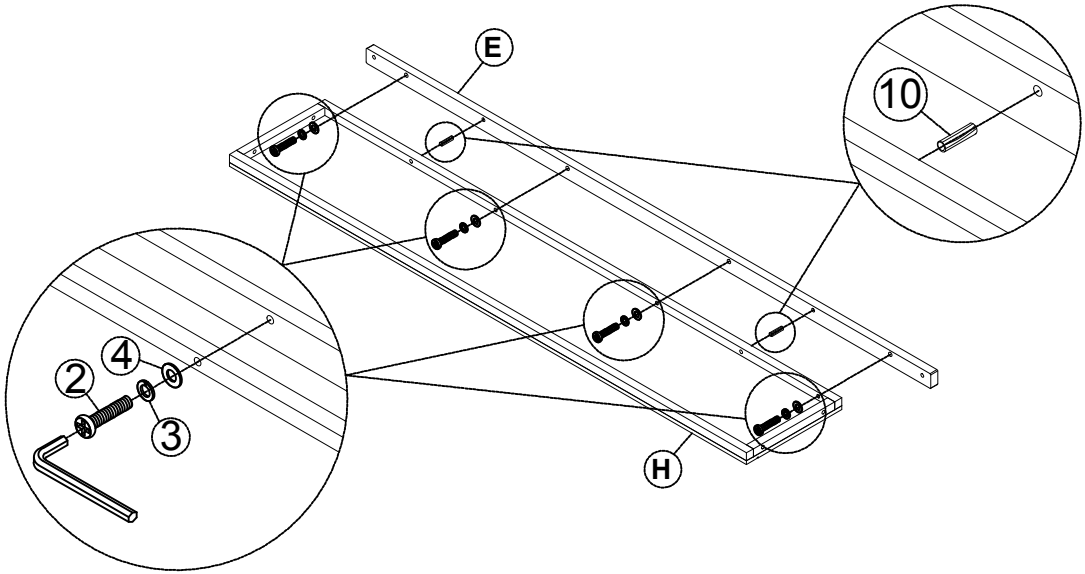
STEP 2

10	2	3	4
			
(2pcs)	(4pcs)	(4pcs)	(4pcs)

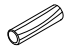





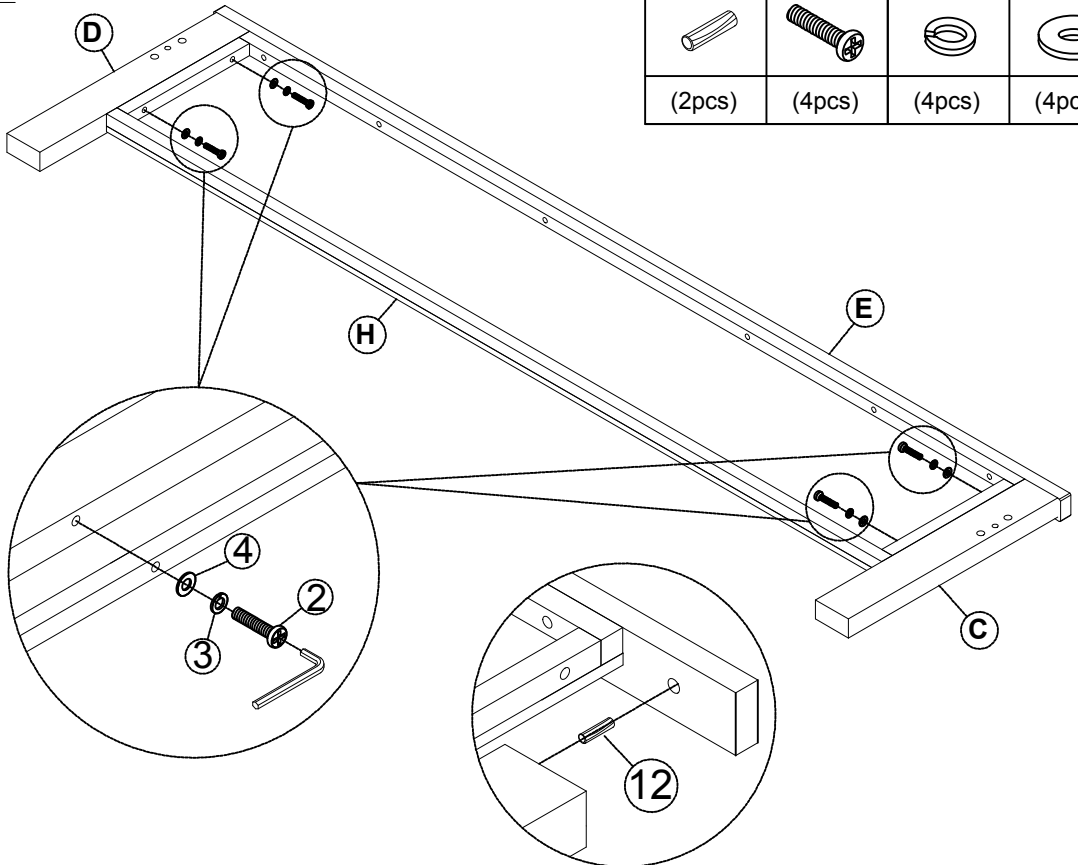
STEP 3

2	3	4	10
			
(4pcs)	(4pcs)	(4pcs)	(2pcs)






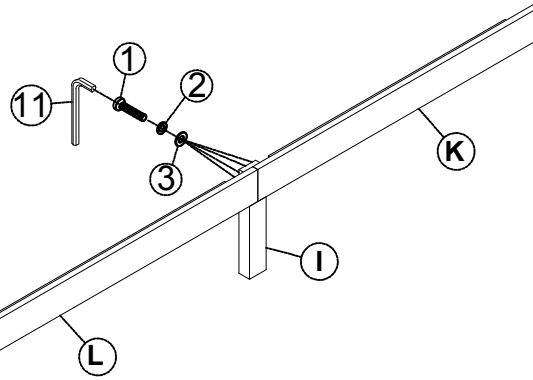
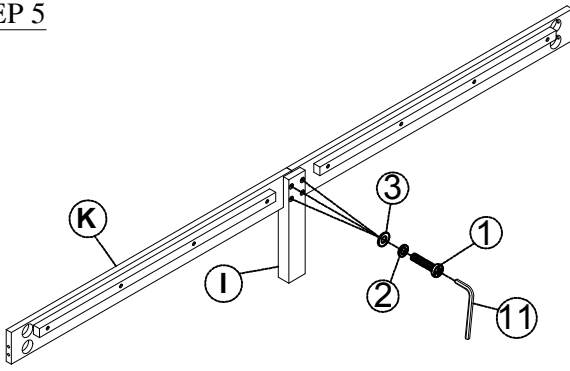
STEP 4

10	2	3	4
			
(2pcs)	(4pcs)	(4pcs)	(4pcs)







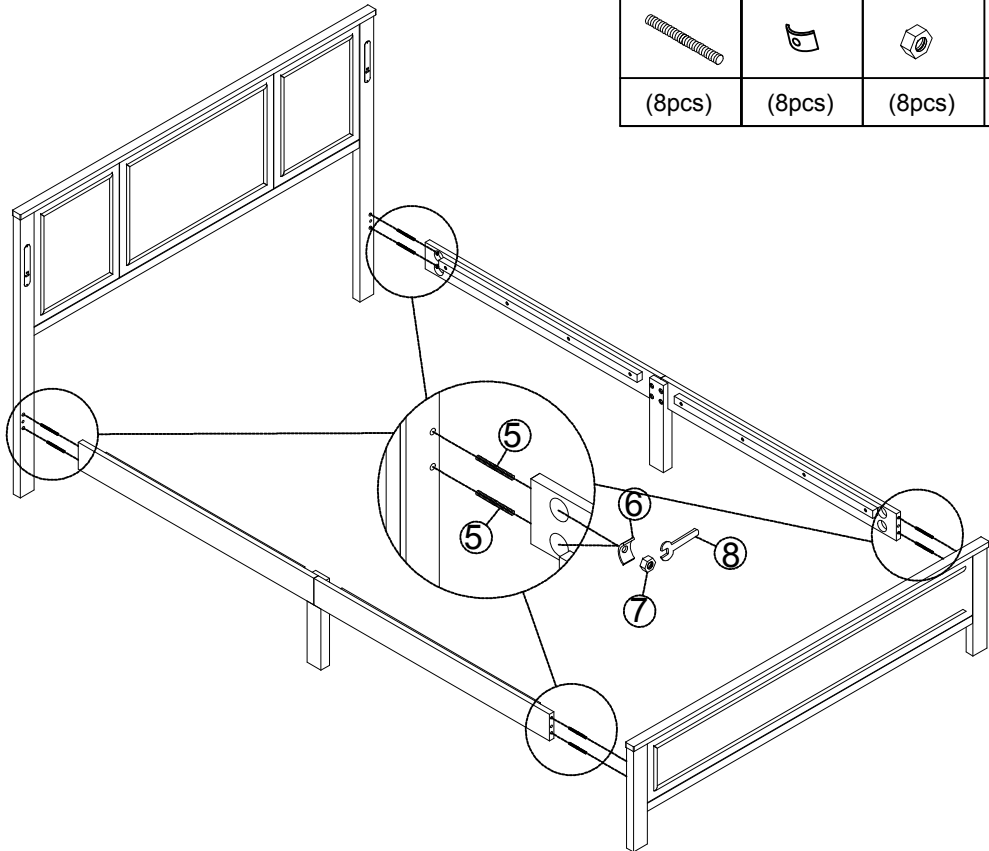
STEP 5

2	3	4
		
(8pcs)	(3pcs)	(4pcs)

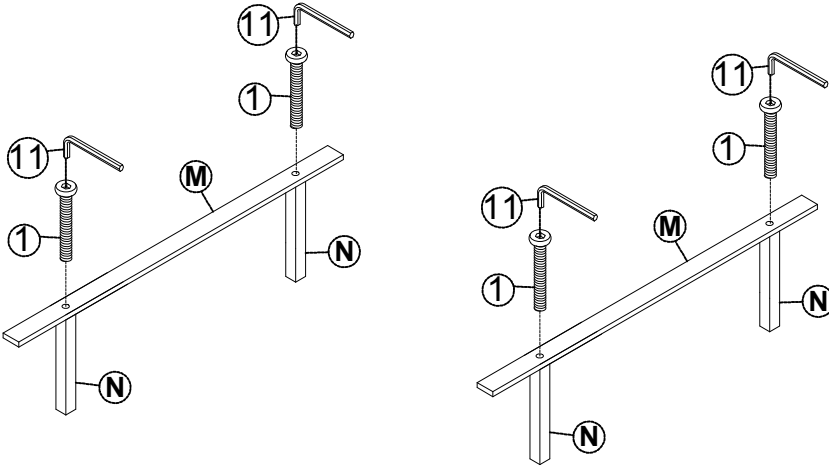


STEP 6

5	6	7	8
			
(8pcs)	(8pcs)	(8pcs)	(1pc)



STEP 9

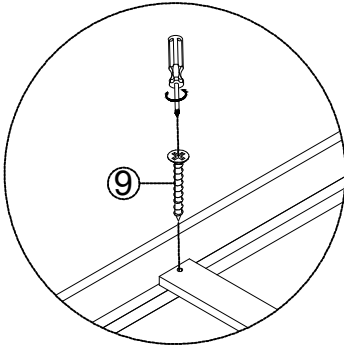


1



(4pcs)

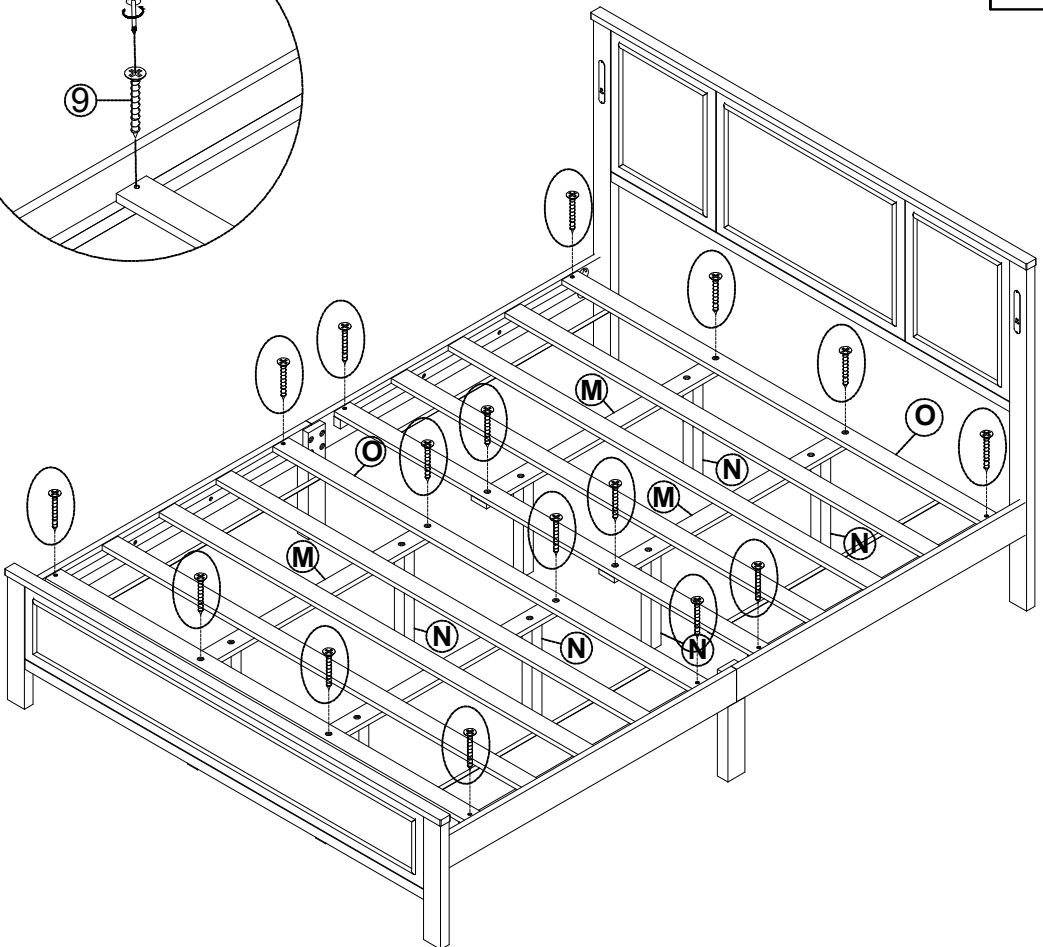
STEP 10



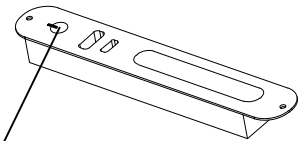
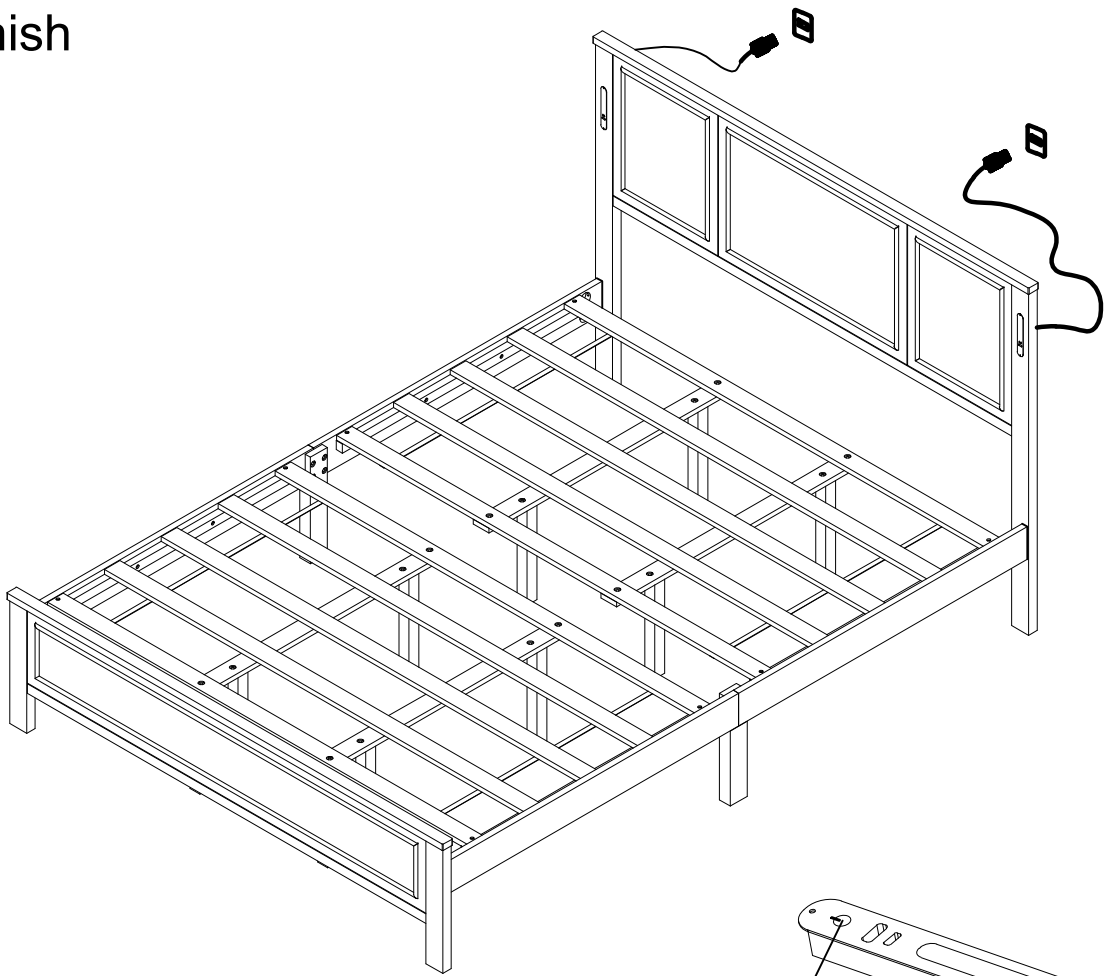
9



(16pcs)



Finish



Short press the button to control the switch.
Long press the button to adjust the brightness.

Product Usage Precautions:

- 1 : The product cannot be used outdoors;
- 2 : Please reserve sufficient hole clearance during the installation;
- 3 : Please select an appropriate power supply to ensure normal operation.
- 4 : Do not look directly at the on-lighted LED strip for a long time to avoid any damage of your sight.
- 5 : Please have professionals carry out disassembly and maintenance to avoid causing various damages